



# Illustrated Parts List

## Model Series

# 205400

TYPE NUMBERS  
0035 through 0563.

### TABLE OF CONTENTS

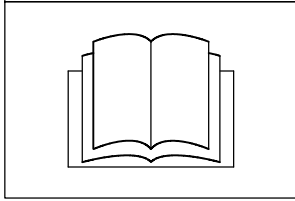
<b>Air Cleaner</b> .....	5
<b>Alternator</b> .....	9
<b>Blower Housing/Shrouds</b> .....	6
<b>Camshaft</b> .....	2
<b>Carburetor</b> .....	4
<b>Controls</b> .....	7
<b>Crankcase Cover</b> .....	2
<b>Crankshaft</b> .....	2
<b>Cylinder</b> .....	2
<b>Cylinder Head</b> .....	3
<b>Electric Starter</b> .....	8
<b>Exhaust System</b> .....	5
<b>Flywheel</b> .....	6
<b>Fuel Supply</b> .....	7
<b>Gasket Set - Engine</b> .....	3
<b>Gasket Set - Valve</b> .....	3
<b>Gear Reduction</b> .....	8
<b>Governor Spring</b> .....	7
<b>Ignition</b> .....	9
<b>Kit-Carburetor Overhaul</b> .....	4
<b>Lubrication</b> .....	2
<b>Operator's Manual</b> .....	2
<b>Piston/Rings/Connecting Rod</b> .....	2
<b>Rewind Starter</b> .....	6
<b>Valves</b> .....	3
<b>Warning Label</b> .....	2



PRINTED IN U.S.A.

COPYRIGHT by BRIGGS & STRATTON CORPORATION  
All rights reserved. No part of this material may be reproduced or transmitted, in any form or by any means, electronic or mechanical, including photocopying, recording or by any information storage and retrieval system, without permission in writing from Briggs & Stratton Corporation.

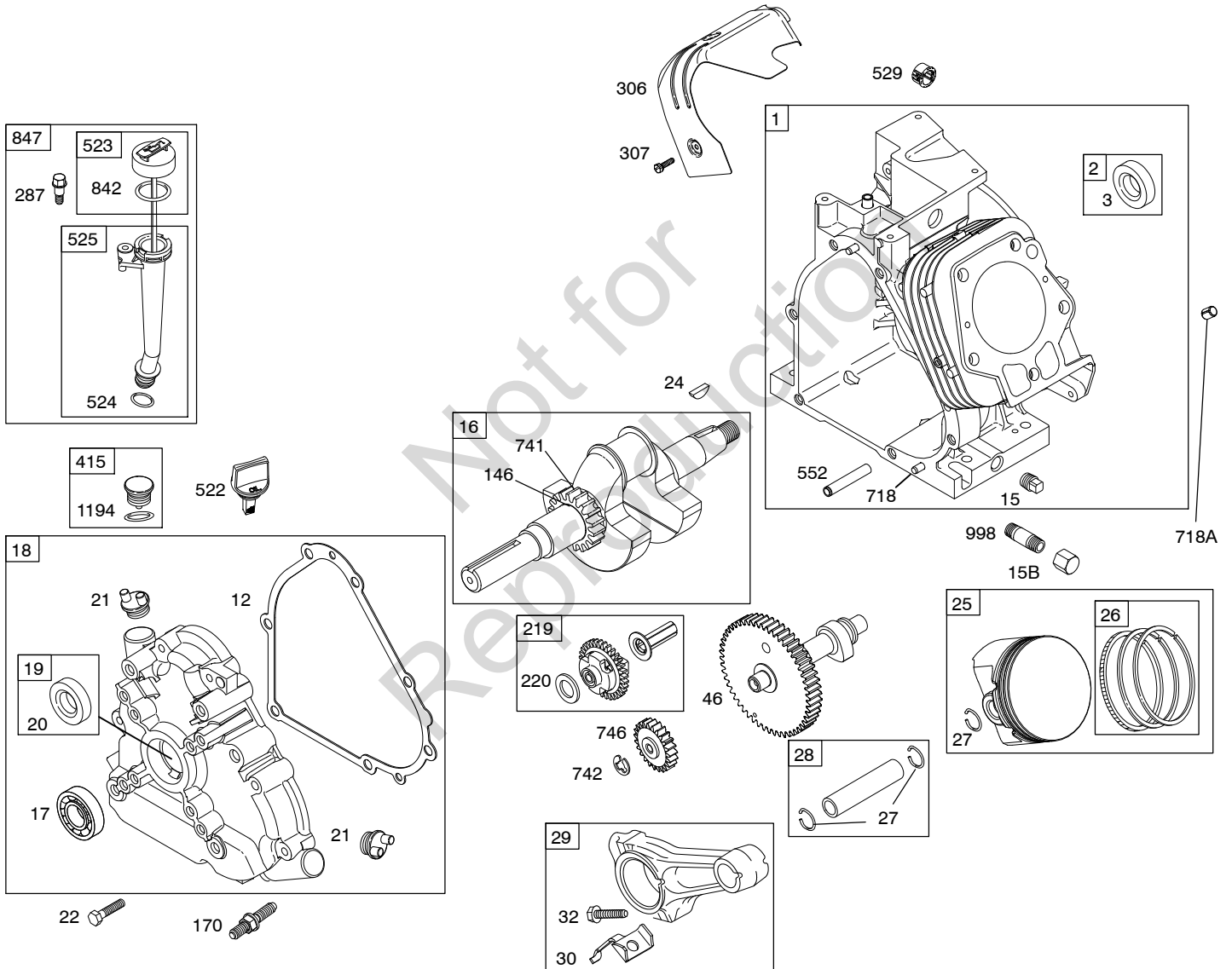
1058 OPERATOR'S MANUAL



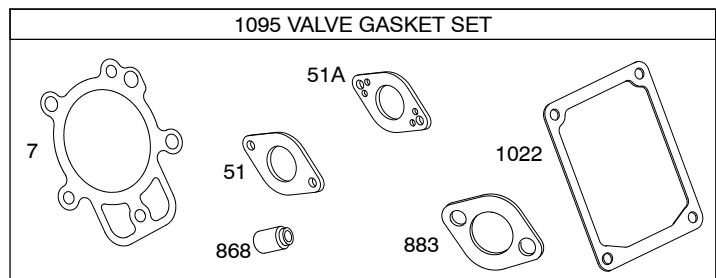
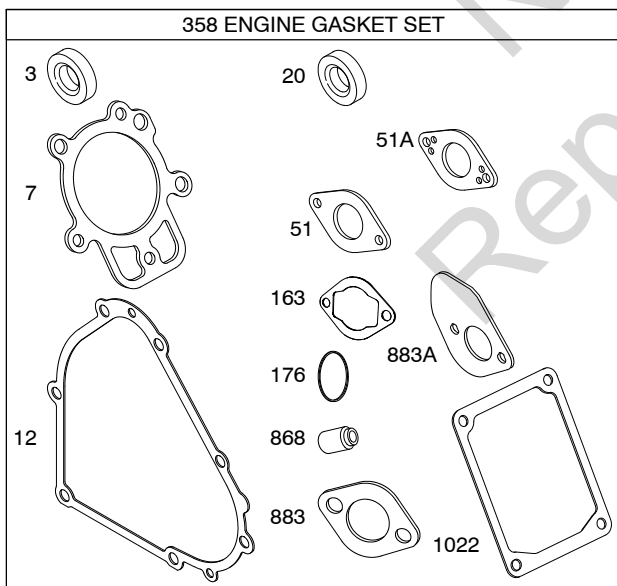
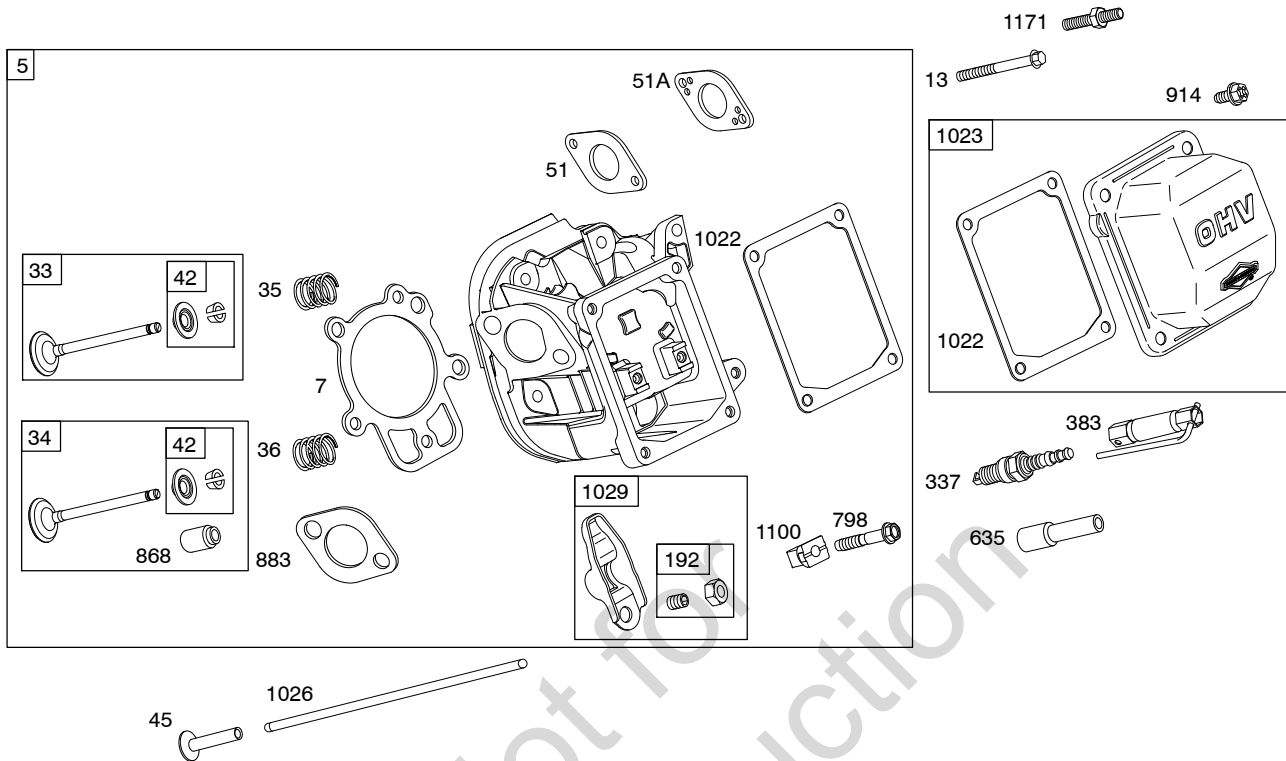
1319 WARNING LABEL

<b>WARNING</b>	
	Read and follow Operating instructions before running engine.
	Gasoline is flammable. Allow engine to cool at least 2 minutes before refueling.
	Engines emit carbon monoxide, DO NOT run in enclosed area.
	Muffler area temperature may exceed 150°F. Do not touch hot parts.

**REQUIRED** when replacing parts with warning labels affixed.

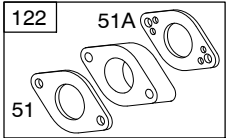
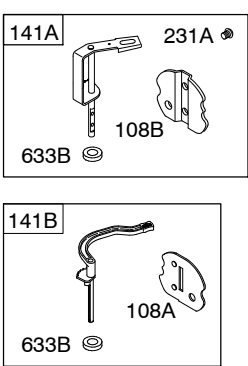
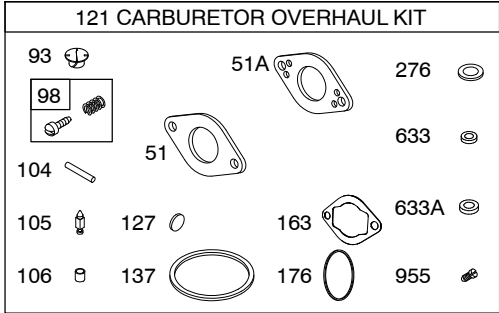
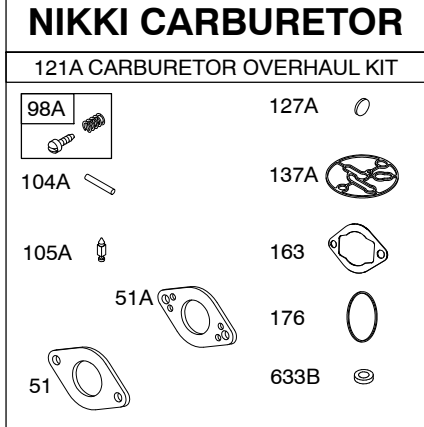
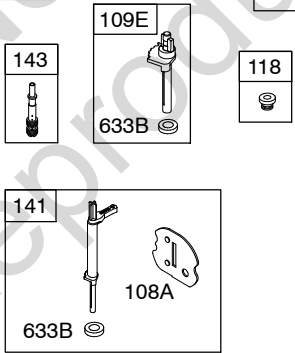
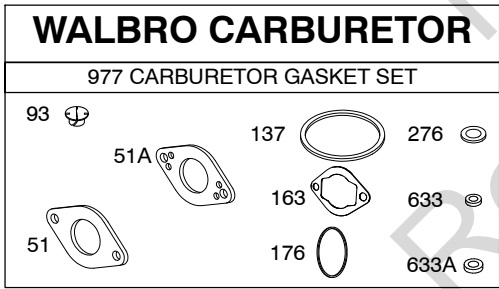
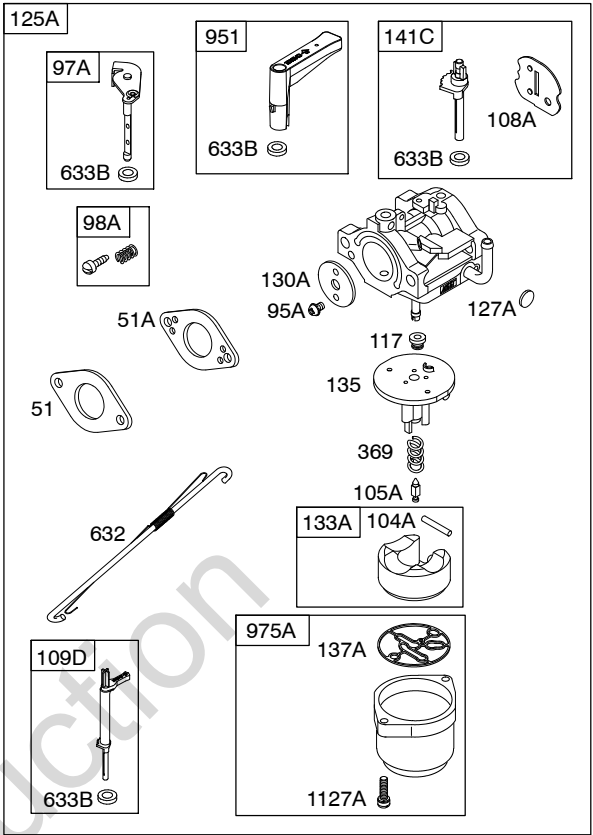
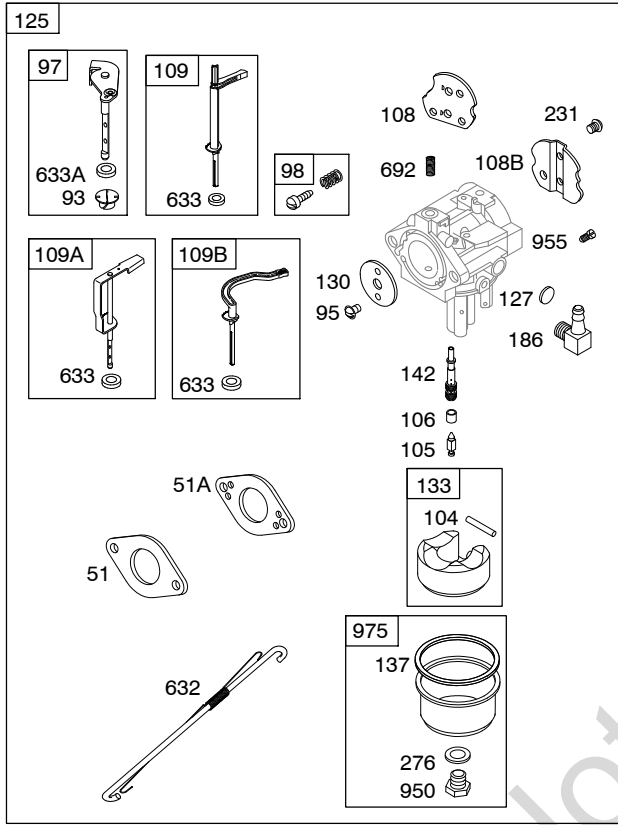


Illustrations cover a range of engines. Parts shown without corresponding text may not be used on your specific engine.  
 6359-2 Assemblies include all parts shown in frames. 10/07/2008

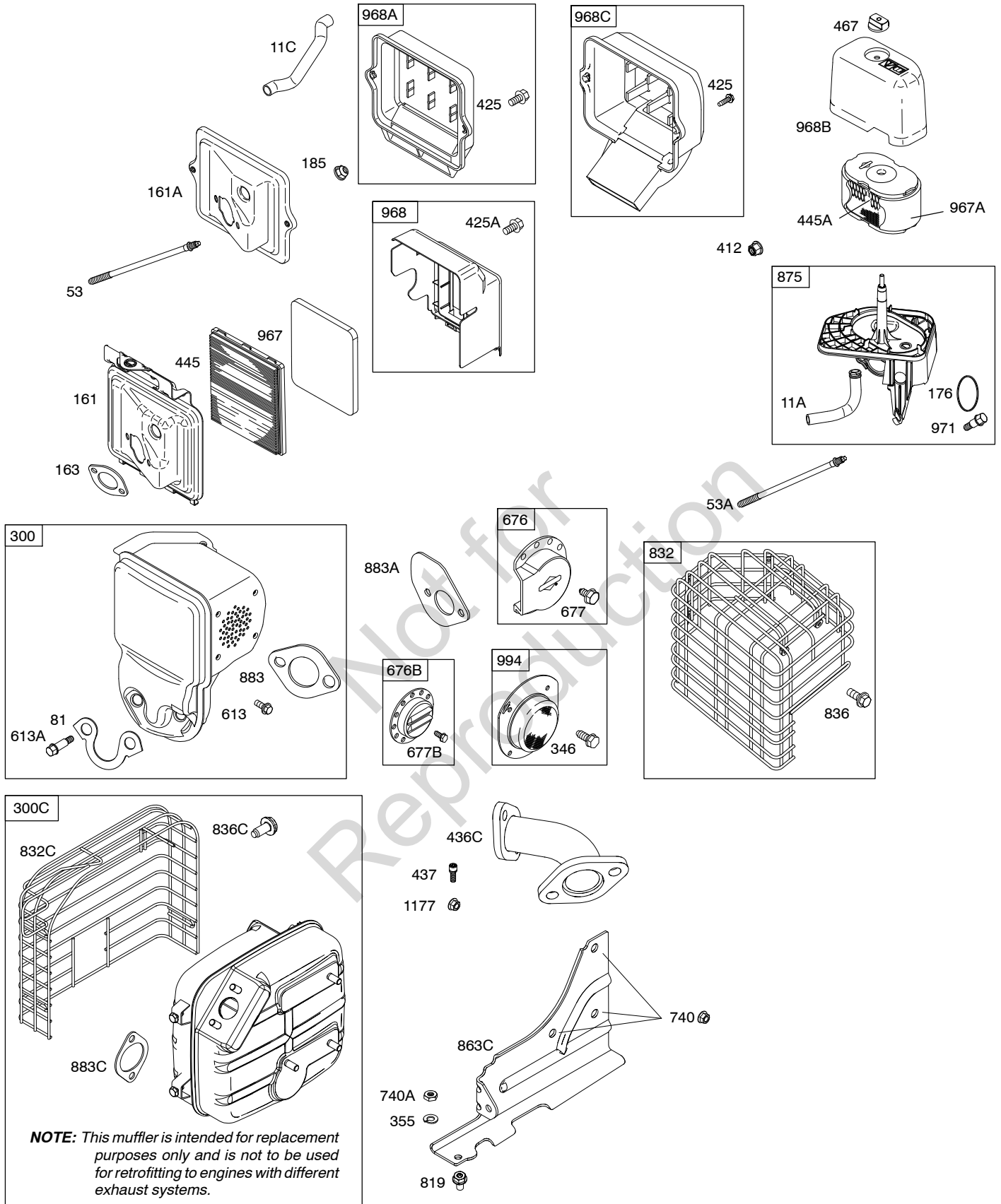


Illustrations cover a range of engines. Parts shown without corresponding text may not be used on your specific engine.  
 6359-3 Assemblies include all parts shown in frames. 10/07/2008

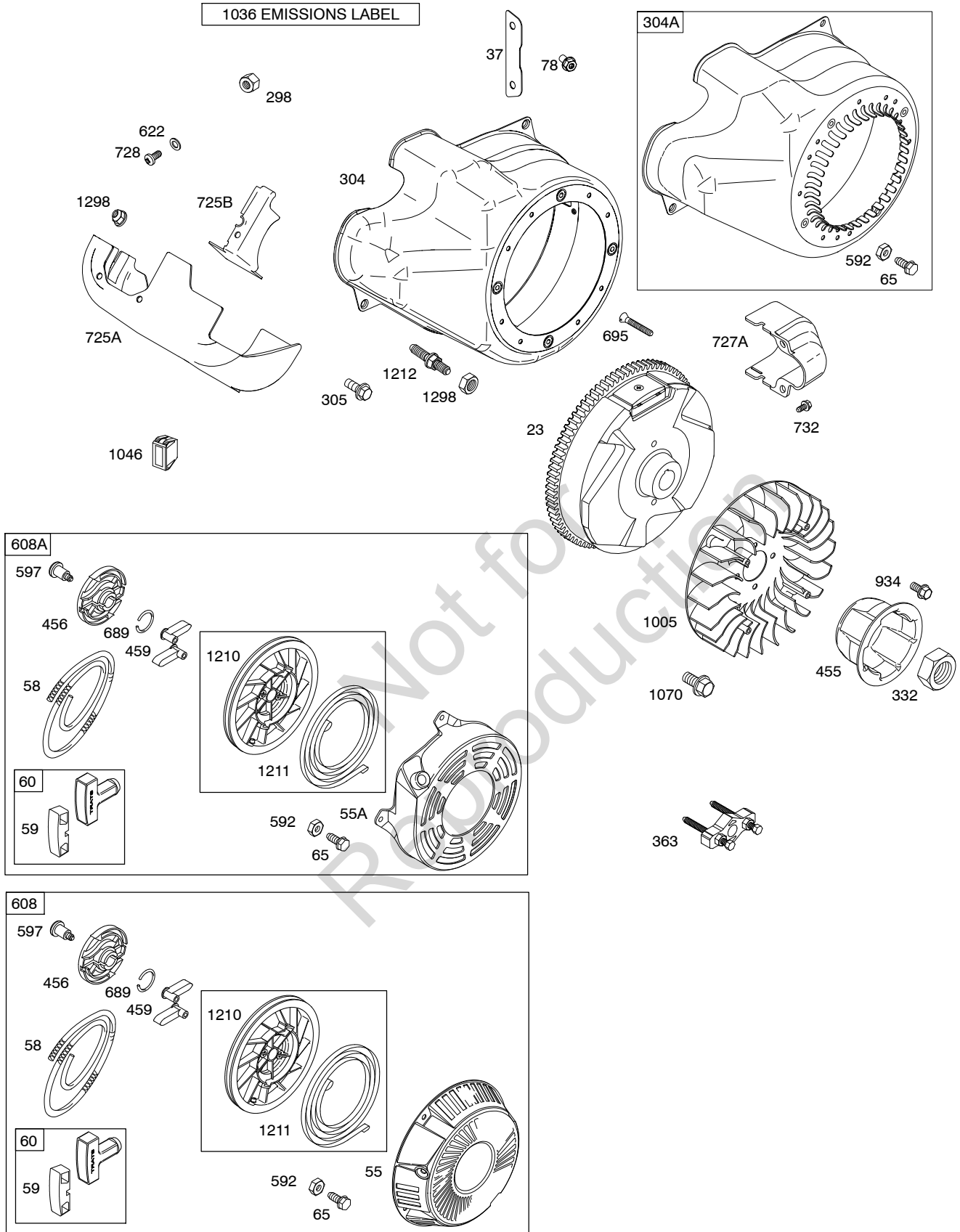
GHOSTED PARTS ARE NOT SERVICEABLE  
AND ARE SHOWN FOR REFERENCE ONLY.



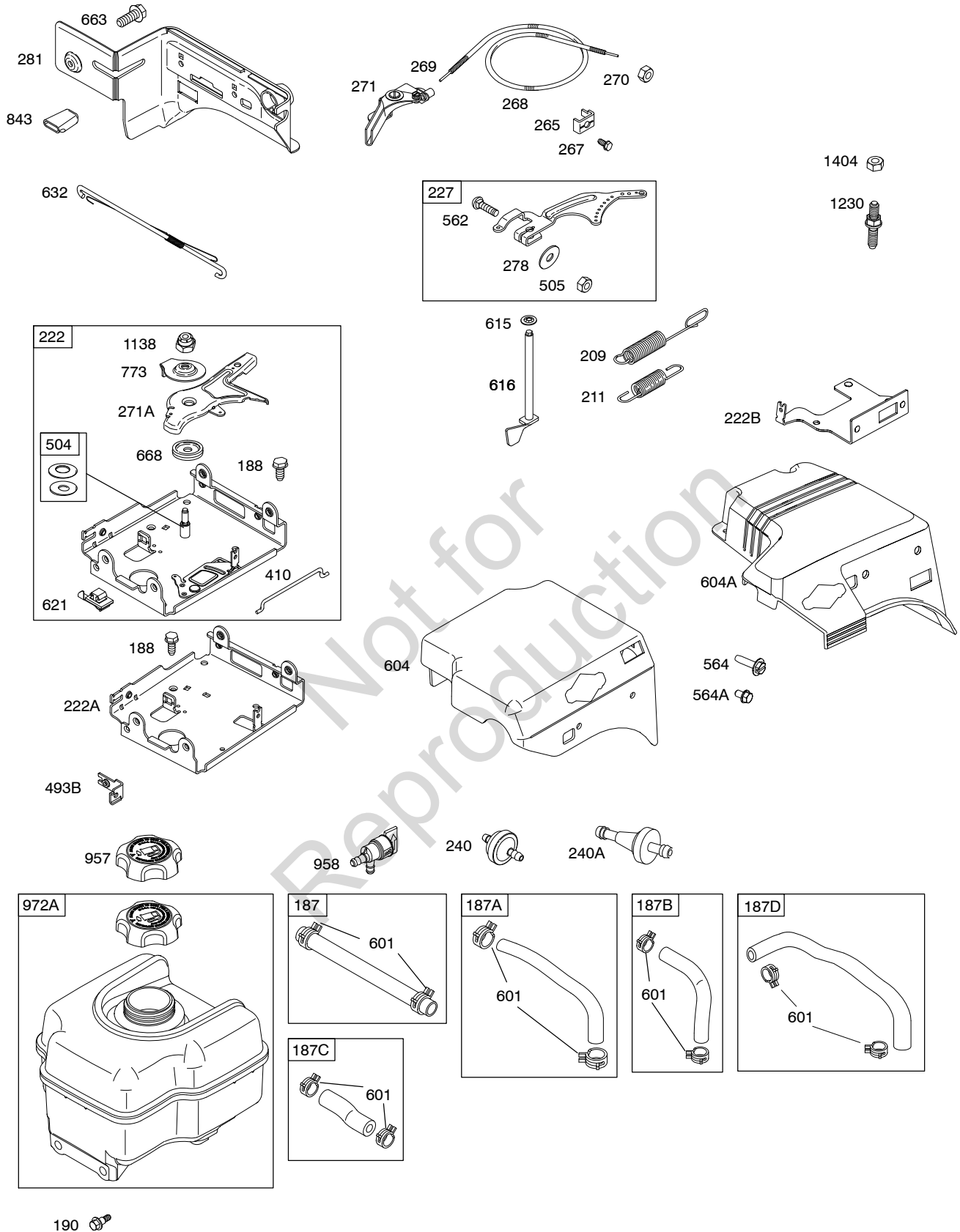
**Illustrations cover a range of engines. Parts shown without corresponding text may not be used on your specific engine.**  
**6359-4 Assemblies include all parts shown in frames. 10/07/2008**



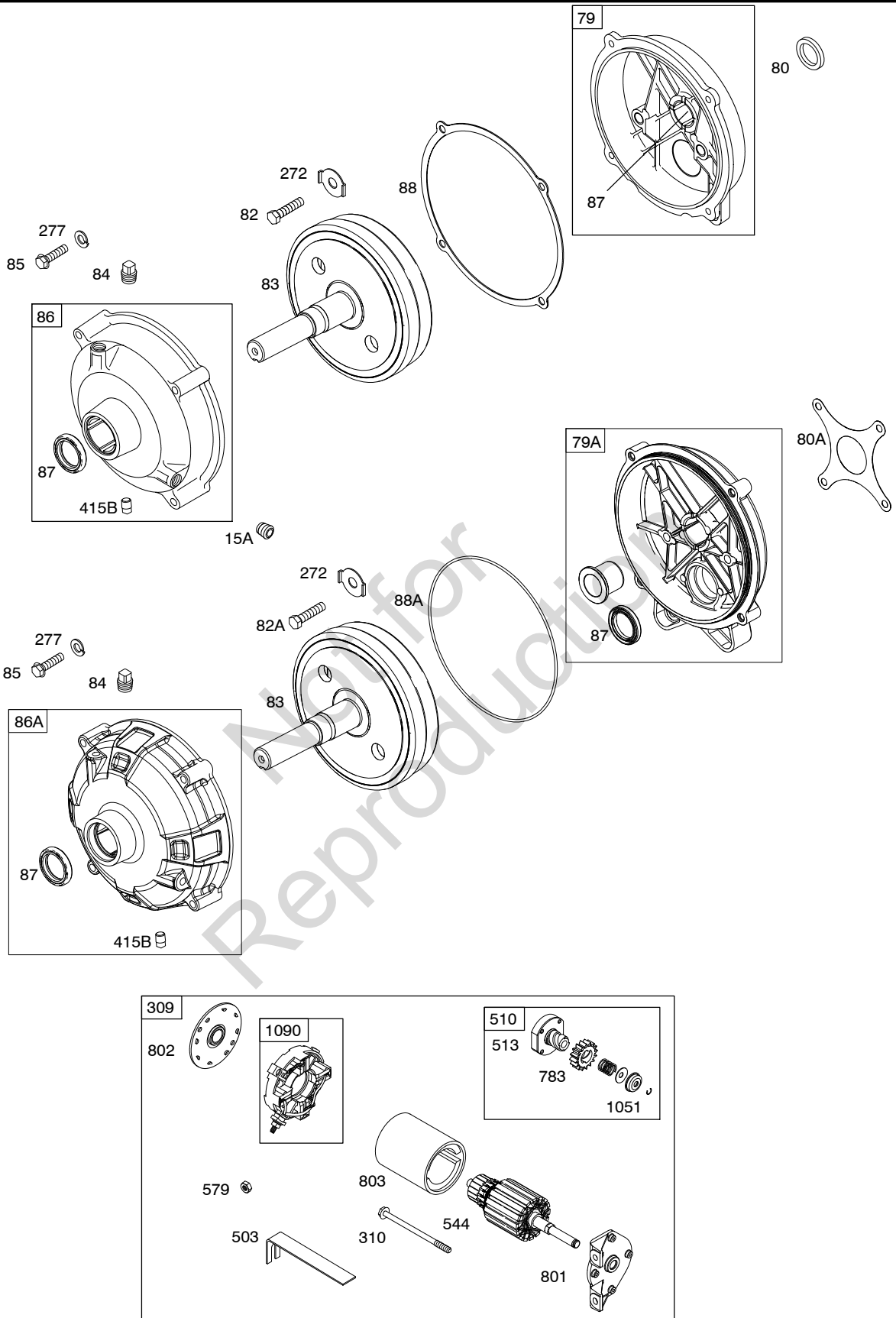
Illustrations cover a range of engines. Parts shown without corresponding text may not be used on your specific engine.  
 6359-5 Assemblies include all parts shown in frames. 10/07/2008



**Illustrations cover a range of engines. Parts shown without corresponding text may not be used on your specific engine.**  
**6359-6 Assemblies include all parts shown in frames. 10/07/2008**

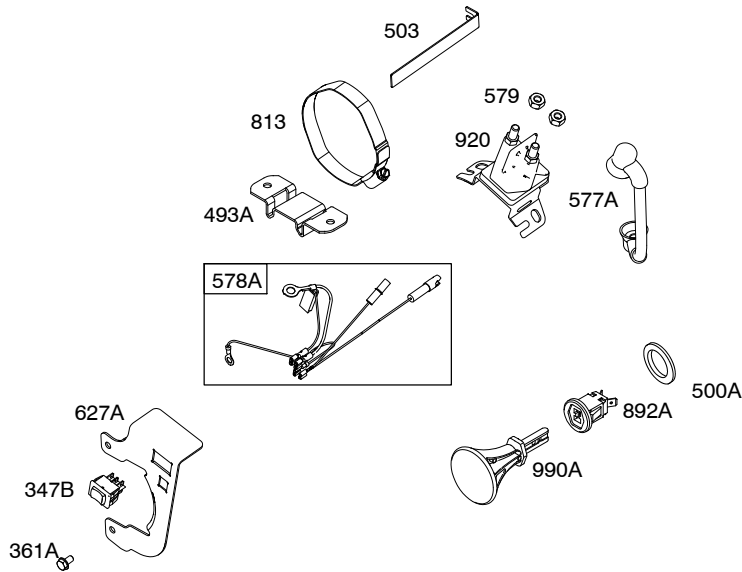


Illustrations cover a range of engines. Parts shown without corresponding text may not be used on your specific engine.  
 6359-7 Assemblies include all parts shown in frames. 10/07/2008

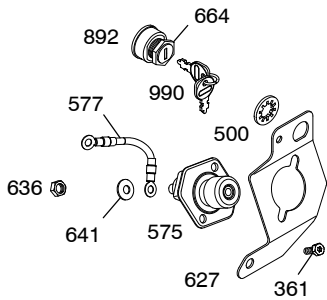


**Illustrations cover a range of engines. Parts shown without corresponding text may not be used on your specific engine.**  
**6359-8 Assemblies include all parts shown in frames. 10/07/2008**

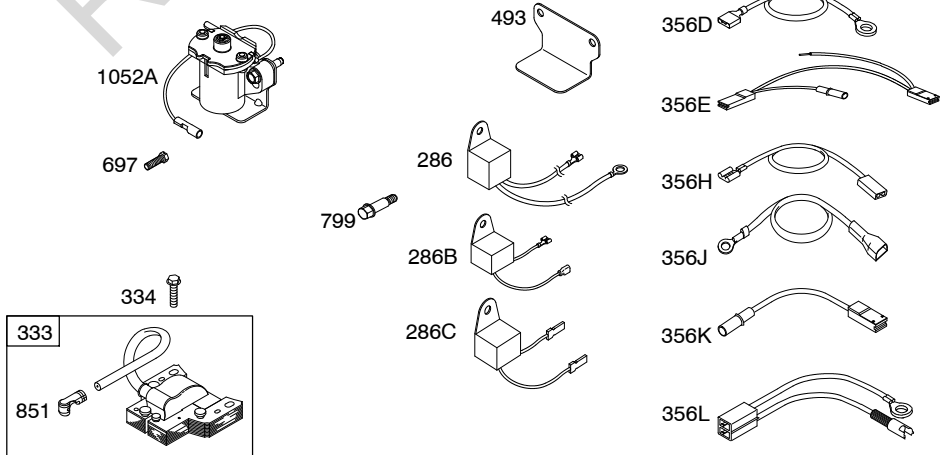




DC ONLY	10 - 16 AMP
474A 	474D 
578 	578 
<p><b>NOTE:</b> All stators use a No. 1119 mounting screw.</p> <p><b>NOTE:</b> The proper flywheel part number and/or the alternator magnet size will determine the alternator type or output. See repair instruction manual for additional information.</p>	
<p>526 501 </p>	



Not for reproduction



# 205400

REF. NO.	PART NO.	DESCRIPTION	REF. NO.	PART NO.	DESCRIPTION	REF. NO.	PART NO.	DESCRIPTION		
1	793117	Cylinder Assembly		694678	Crankshaft	19	698340	Kit-Bushing/Seal (PTO Side)		
2	698340	Kit-Bushing/Seal (Magneto Side)			Used on Type No(s). 0038, 0116, 0118, 0130, 0140, 0153, 0154, 0159, 0163, 0174, 0175, 0177, 0178, 0179, 0184, 0186, 0187, 0188, 0190, 0191, 0194, 0205, 0207, 0208, 0211, 0214, 0215, 0217, 0232, 0309, 0313, 0538.	20	*391086S	Seal-Oil (PTO Side)		
3	*391086S	Seal-Oil (Magneto Side)				21	281658S	Cap-Oil Fill		
5	793009	Head-Cylinder				22	695174	Screw (Crankcase Cover/Sump)		
7	*Δ694872	Gasket-Cylinder Head				23	794814	Flywheel		
11A	695305	Tube-Breather Used on Type No(s). 0113, 0126, 0213, 0281, 0303, 0304, 0305, 0307, 0310, 0311.						----- Note ----- 695485 Flywheel Used on Type No(s). 0041, 0050, 0112, 0118, 0123, 0148, 0150, 0169, 0172, 0174, 0180, 0185, 0186, 0198, 0204, 0210, 0216, 0229, 0303, 0311, 0312, 0313, 0533, 0541, 0542, 0550.		
11C	696796	Tube-Breather				24	222698S	Key-Flywheel		
12	*694953	Gasket-Crankcase				25	792117	Piston Assembly (Standard)		
13	690360	Screw (Cylinder Head)						----- Note ----- 792144 Piston Assembly (.020" Oversize)		
15	691686	Plug-Oil Drain				26	792026	Ring Set (Standard) (Used After Code Date 05101100).		
15A	691682	Plug-Oil Drain						----- Note ----- 694004 Ring Set (Standard) (Used Before Code Date 05101200). 792073 Ring Set (.020" Oversize) (Used After Code Date 05101100). 694008 Ring Set (.020" Oversize) (Used Before Code Date 05101200).		
15B	695757	Plug-Oil Drain Used on Type No(s). 0278.				27	690975	Lock-Piston Pin		
16	794716	Crankshaft Used on Type No(s). 0036, 0041, 0100, 0105, 0113, 0114, 0120, 0123, 0125, 0128, 0129, 0132, 0133, 0134, 0136, 0145, 0148, 0150, 0161, 0164, 0167, 0169, 0180, 0185, 0199, 0200, 0201, 0202, 0204, 0209, 0210, 0216, 0227, 0228, 0229, 0236, 0279, 0312, 0536, 0541.				28	696581	Pin-Piston		
		----- Note ----- 695817 Crankshaft Used on Type No(s). 0049, 0050, 0112, 0195, 0212, 0281, 0310, 0311, 0549, 0550.				29	694691	Rod-Connecting		
			17	695434	Bearing-Ball	30	694692	Dipper-Connecting Rod		
			18	791412	Cover-Crankcase ----- Note ----- 792139 Cover-Crankcase Used on Type No(s). 0049, 0050, 0112, 0195, 0212, 0281, 0310, 0311, 0549, 0550. 791965 Cover-Crankcase Used on Type No(s). 0100, 0113, 0121, 0129, 0133, 0140, 0161, 0177, 0178, 0179, 0188, 0191, 0194, 0202, 0203, 0205, 0208, 0209, 0210, 0214, 0215, 0217, 0230, 0236, 0299, 0301, 0309.			32	690976	Screw (Connecting Rod)
						33	499596	Valve-Exhaust		
						34	792200	Valve-Intake		
						35	694865	Spring-Valve (Intake)		

\* Included in Engine Gasket Set-Ref. No. 358.

● Included in Carburetor Overhaul Kit-Ref. No. 121 or 121A.

◆ Included in Carburetor Gasket Set-Ref. No. 977.

△ Included in Valve Gasket Set-Ref. No. 1095.

**Illustrations cover a range of engines. Parts shown without corresponding text may not be used on your specific engine.**

6359-10

**Assemblies include all parts shown in frames.**

10/07/2008

REF. NO.	PART NO.	DESCRIPTION	REF. NO.	PART NO.	DESCRIPTION	REF. NO.	PART NO.	DESCRIPTION
36	694865	Spring-Valve (Exhaust)	78	690372	Screw (Cover Flywheel Guard)	80A	793588	Gasket-Gear Case (Used After Code Date 07021500).
37	790730	Guard-Flywheel	79	690614	Case-Gear Reduction (Used Before Code Date 07021600).			Used on Type No(s). 0049, 0050, 0195, 0281, 0310, 0311, 0549, 0550.
42	499586	Keeper-Valve			Used on Type No(s). 0049, 0050, 0112, 0195, 0281, 0310, 0549, 0550.			----- Note ----- 793588 Gasket-Gear Case (Used After Code Date 06091700).
45	690977	Tappet-Valve			Used on Type No(s). 0212.	81	695400	Lock-Muffler Screw
46	790958	Camshaft			Used on Type No(s). 0212.	82	690287	Screw (Gear Reduction Case) (Used Before Code Date 07021600).
51	★△◆694874	Gasket-Intake	79A	793590	Case-Gear Reduction (Used After Code Date 07021500).			Used on Type No(s). 0049, 0050, 0112, 0195, 0281, 0310, 0549, 0550.
51A	★△◆694875	Gasket-Intake			Used on Type No(s). 0049, 0050, 0195, 0281, 0310, 0311, 0549, 0550.			----- Note ----- 690287 Screw (Gear Reduction Case) (Used Before Code Date 06091800). Used on Type No(s). 0212.
53	694869	Stud (Carburetor)			Used on Type No(s). 0212.	82A	792753	Screw (Gear Reduction Case) (Used After Code Date 07021500).
53A	695433	Stud (Carburetor)			Used on Type No(s). 0049, 0050, 0112, 0195, 0281, 0310, 0549, 0550.			Used on Type No(s). 0049, 0050, 0195, 0281, 0310, 0311, 0549, 0550.
55	695288	Housing-Rewind Starter			----- Note ----- 793590 Case-Gear Reduction (Used After Code Date 06091700). Used on Type No(s). 0212.			----- Note ----- 792753 Screw (Gear Reduction Case) (Used After Code Date 06091700). Used on Type No(s). 0212.
55A	691421	Housing-Rewind Starter			Used on Type No(s). 0049, 0050, 0195, 0281, 0310, 0311, 0549, 0550.			
58	693389	Rope-Starter (Cut To Required Length)			----- Note ----- 691603 Gasket-Gear Case (Used Before Code Date 06091800). Used on Type No(s). 0212.			
59	805957	Insert-Grip			----- Note ----- 691603 Gasket-Gear Case (Used Before Code Date 06091800). Used on Type No(s). 0212.			
60	490652	Grip-Starter Rope			----- Note ----- 691603 Gasket-Gear Case (Used Before Code Date 06091800). Used on Type No(s). 0212.			
65	690837	Screw (Rewind Starter)	80	691603	Gasket-Gear Case (Used Before Code Date 07021600).			
		----- Note ----- 690759 Screw (Rewind Starter) Used on Type No(s). 0041, 0050, 0112, 0115, 0118, 0123, 0129, 0141, 0148, 0150, 0163, 0164, 0169, 0172, 0174, 0180, 0183, 0185, 0186, 0188, 0198, 0199, 0200, 0201, 0203, 0204, 0207, 0209, 0210, 0213, 0215, 0216, 0229, 0280, 0281, 0303, 0304, 0305, 0307, 0310, 0311, 0312, 0313, 0533, 0537, 0541, 0542, 0550.			Used on Type No(s). 0049, 0050, 0112, 0195, 0281, 0310, 0549, 0550.			

★ Included in Engine Gasket Set-Ref. No. 358.

● Included in Carburetor Overhaul Kit-Ref. No. 121 or 121A.

◆ Included in Carburetor Gasket Set-Ref. No. 977.

△ Included in Valve Gasket Set-Ref. No. 1095.

*Illustrations cover a range of engines. Parts shown without corresponding text may not be used on your specific engine.*

# 205400

REF. NO.	PART NO.	DESCRIPTION	REF. NO.	PART NO.	DESCRIPTION	REF. NO.	PART NO.	DESCRIPTION
83	690387	Shaft-Auxiliary Drive	88A	793589	Gasket-Gear Reduction Cover	109	695331	Shaft-Choke
84	691121	Plug-Breather			(Used After Code Date 07021500).	109A	695326	Shaft-Choke
85	691076	Screw (Gear Cover to Gear Reduction Case)			Used on Type No(s). 0049, 0050, 0195, 0281, 0310, 0311, 0549, 0550.			(Used Before Code Date 00082800).
86	690613	Cover-Gear (Used Before Code Date 07021600). Used on Type No(s). 0049, 0050, 0112, 0195, 0281, 0310, 0549, 0550.			----- Note -----			Used on Type No(s). 0130, 0140.
		----- Note -----			793589 Gasket-Gear (Used After Code Date 06091700). Used on Type No(s). 0212.	109B	695329	Shaft-Choke
		690613 Cover-Gear (Used Before Code Date 06091800). Used on Type No(s). 0212.	93	◆690602	Bushing-Throttle Shaft			(Used Before Code Date 00092900). Used on Type No(s). 0126.
86A	793591	Cover-Gear (Used After Code Date 07021500). Used on Type No(s). 0049, 0050, 0195, 0281, 0310, 0311, 0549, 0550.	95	◆691636	Screw (Throttle Valve)	109C	790148	Shaft-Choke
		----- Note -----	95A	690718	Screw (Throttle Valve)			Used on Type No(s). 0113, 0213, 0281, 0303, 0304, 0305, 0307, 0310, 0311, 0542.
		793591 Cover-Gear (Used After Code Date 06091700). Used on Type No(s). 0212.	97	695325	Shaft-Throttle			----- Note -----
			97A	696387	Shaft-Throttle			790148 Shaft-Choke (Used After Code Date 00092800). Used on Type No(s). 0126.
			98	◆495800	Kit-Idle Speed	109D	790149	Shaft-Choke
			98A	◆695408	Kit-Idle Speed	109E	696735	Shaft-Choke
			104	◆690525	Pin-Float Hinge	109G	790077	Shaft-Choke
			104A	◆694918	Pin-Float Hinge	117	◆696134	Jet-Main (Standard)
			105	◆691782	Valve-Float Needle	118	696135	Jet-Main (High Altitude)
			105A	◆696136	Valve-Float Needle	121	695441	Kit-Carburetor Overhaul (Use With Walbro Carburetor)
			106	◆690577	Seat-Inlet	121A	696146	Kit-Carburetor Overhaul (Nikki Carburetor)
			108	693924	Valve-Choke (Used Before Code Date 00082800). Used on Type No(s). 0130, 0140.			
			108A	696143	Valve-Choke			
			108B	696209	Valve-Choke			
					----- Note -----			
					696209 Valve-Choke (Used After Code Date 00082700). Used on Type No(s). 0130, 0140.			
87	391086S	Seal-Gear Reduction						
88	691601	Gasket-Gear Reduction Cover (Used Before Code Date 07021600). Used on Type No(s). 0049, 0050, 0112, 0195, 0281, 0310, 0549, 0550.						
		----- Note -----						
		691601 Gasket-Gear (Used Before Code Date 06091800). Used on Type No(s). 0212.						

★ Included in Engine Gasket Set-Ref. No. 358.

● Included in Carburetor Overhaul Kit-Ref. No. 121 or 121A.

◆ Included in Carburetor Gasket Set-Ref. No. 977.

△ Included in Valve Gasket Set-Ref. No. 1095.

**Illustrations cover a range of engines. Parts shown without corresponding text may not be used on your specific engine.**

6359-12

**Assemblies include all parts shown in frames.**

10/07/2008

REF. NO.	PART NO.	DESCRIPTION	REF. NO.	PART NO.	DESCRIPTION	REF. NO.	PART NO.	DESCRIPTION
122	694876	Spacer- Carburetor	161A	699960	Base-Air Cleaner (Metal)	187A	791869	Line-Fuel (Used After Code Date 05063000).
125		Carburetor (To Service Complete Carburetor, See Referece Number 125A)			Used on Type No(s). 0115, 0205, 0207, 0214, 0215, 0216, 0217, 0229, 0232, 0280, 0538.			----- Note ----- 695429 Line-Fuel (Used Before Code Date 05070100).
125A	699966	Carburetor			----- Note ----- 699960 Base-Air Cleaner (Metal)	187B	791834	Line-Fuel (Used After Code Date 05063000).
		----- Note ----- 695920 Carburetor Used on Type No(s). 0113, 0126, 0213, 0281, 0303, 0304, 0305, 0307, 0310, 0311, 0542.			(Used After Code Date 04020400). Used on Type No(s). 0038, 0116, 0118, 0130, 0140, 0154, 0175, 0177, 0178, 0179, 0187, 0188, 0194.			----- Note ----- 695482 Line-Fuel (Used Before Code Date 05070100).
127	694524	Plug-Welch			694870 Base-Air Cleaner (Metal)	187C	791871	Line-Fuel (Used After Code Date 05063000).
127A	690727	Plug-Welch			(Used Before Code Date 04020500). Used on Type No(s). 0038, 0116, 0118, 0130, 0140, 0154, 0175, 0177, 0178, 0179, 0187, 0188, 0194.			----- Note ----- 695483 Line-Fuel (Used Before Code Date 05070100).
130	690468	Valve-Throttle	163	692277	Gasket-Air Cleaner	187D	791879	Line-Fuel (Used After Code Date 05063000).
130A	696139	Valve-Throttle	170	695296	Stud (Crankcase Cover/Sump)			----- Note ----- 698080 Line-Fuel (Used Before Code Date 05070100).
133	494381	Float-Carburetor			Seal-O Ring (Air Cleaner Base)	188	690877	Screw (Control Bracket)
133A	694914	Float-Carburetor			----- Note ----- 691917 Seal-O Ring (Air Cleaner Base)	190	692127	Screw (Fuel Tank)
135	696142	Tube-Fuel Transfer			Used on Type No(s). 0113, 0126, 0213, 0281, 0303, 0304, 0305, 0307, 0310, 0311.	192	690083	Adjuster-Rocker Arm
137	281165S	Gasket-Float Bowl	176	691876	Seal-O Ring (Air Cleaner Base)	209	694867	Spring-Governor
137A	695426	Gasket-Float Bowl			----- Note ----- 695491 Spring-Governor			Used on Type No(s). 0165, 0212.
141	696145	Kit-Choke Shaft			696638 Spring-Governor			Used on Type No(s). 0115, 0120, 0123, 0125, 0126, 0129, 0141, 0148, 0167, 0209, 0210, 0227, 0228, 0232, 0280.
141A	698457	Kit-Choke Shaft	185	690958	Nut (Air Cleaner Base)	211	695307	Spring-Governed Idle
141B	696144	Kit-Choke Shaft			Used on Type No(s). 0113, 0126, 0213, 0281, 0303, 0304, 0305, 0307, 0310, 0311.	219	693578	Gear-Governor
		Used on Type No(s). 0113, 0126, 0213, 0281, 0303, 0304, 0305, 0307, 0310, 0311, 0542.	186	692317	Connector-Hose	220	691724	Washer (Governor Gear)
141C	699979	Kit-Choke Shaft	187	791766	Line-Fuel (15 Inches Long) (Cut To Required Length)			
142	695528	Nozzle-Carburetor (Standard)						
143	695529	Nozzle-Carburetor (High Altitude)						
146	690979	Key-Timing						
161	695384	Base-Air Cleaner (Metal)						

★ Included in Engine Gasket Set-Ref. No. 358.

● Included in Carburetor Overhaul Kit-Ref. No. 121 or 121A.

◆ Included in Carburetor Gasket Set-Ref. No. 977.

△ Included in Valve Gasket Set-Ref. No. 1095.

*Illustrations cover a range of engines. Parts shown without corresponding text may not be used on your specific engine.*

# 205400

REF. NO.	PART NO.	DESCRIPTION	REF. NO.	PART NO.	DESCRIPTION	REF. NO.	PART NO.	DESCRIPTION
222	695380	Bracket-Control	286	695186	Module-Oil Sensor	298	698838	Locknut-Muffler/Elbow
222A	694866	Bracket-Control Used on Type No(s). 0038, 0116, 0118, 0120, 0126, 0130, 0140, 0153, 0154, 0159, 0163, 0165, 0174, 0175, 0177, 0178, 0179, 0184, 0186, 0187, 0188, 0190, 0191, 0194, 0205, 0207, 0208, 0211, 0212, 0214, 0215, 0227, 0228, 0232, 0309, 0313, 0538.			Used on Type No(s). 0141. ----- Note ----- 695186 Module-Oil Sensor (Used Before Code Date 03010500). Used on Type No(s). 0116, 0130, 0136, 0140, 0153, 0154, 0159, 0163, 0164, 0165, 0166, 0168, 0171, 0175, 0177, 0178, 0179, 0183, 0184, 0187, 0188, 0190, 0191.	300	697252	Muffler ----- Note ----- 698101 Muffler Used on Type No(s). 0191.
222B	791753	Bracket-Control	286B	696058	Module-Oil Sensor (Used Before Code Date 03010600). Used on Type No(s). 0112, 0118, 0172, 0174, 0185, 0186.	300C	793701	Muffler (This muffler is intended for replacement purposes only and is not to be used for retrofitting to engines with different exhaust systems)
227	694864	Lever-Governor Control	286C	699951	Module-Oil Sensor Used on Type No(s). 0194, 0196, 0197, 0198, 0199, 0200, 0201, 0205, 0207, 0208, 0211, 0213, 0214, 0215, 0217, 0232, 0281, 0303, 0304, 0305, 0306, 0307, 0309, 0310, 0311, 0313, 0537, 0542. ----- Note ----- 699951 Module-Oil Sensor (Used After Code Date 03010500). Used on Type No(s). 0112, 0116, 0118, 0130, 0136, 0140, 0153, 0154, 0159, 0163, 0164, 0165, 0166, 0168, 0171, 0172, 0174, 0175, 0177, 0178, 0179, 0183, 0184, 0185, 0186, 0187, 0188, 0190, 0191.	304	791478	Housing-Blower
231	691636	Screw (Choke Valve)				304A	791481	Housing-Blower Used on Type No(s). 0194.
231A	690718	Screw (Choke Valve)				305	691108	Screw (Blower Housing) ----- Note ----- 691125 Screw (Blower Housing) Used on Type No(s). 0194.
240	394358S	Filter-Fuel				306	697240	Shield-Cylinder (Used After Code Date 01102800). ----- Note ----- 694677 Shield- Cylinder (Used Before Code Date 01102900).
240A	694485	Filter-Fuel				307	691660	Screw (Cylinder Shield)
265	691024	Clamp-Casing				309	695479	Motor-Starter
267	692577	Screw (Casing Clamp)				310	690323	Screw (Starter Motor)
268	691025	Casing-Control Wire (Cut To Required Length)				332	694685	Nut (Flywheel)
269	691026	Wire-Control (Cut To Required Length)				333	492341	Armature-Magneto
270	691027	Nut (Control Wire Casing)				334	691061	Screw (Magneto Armature)
271	691028	Lever-Control						
271A	695381	Lever-Control						
272	691168	Lock-Screw Head						
276	◆692255	Washer-Sealing						
277	691075	Washer (Gear Case To Gear Reduction)						
278	792008	Washer (Governor Control Lever)						
281	697268	Panel-Control (Used After Code Date 01102800). ----- Note ----- 695294 Panel-Control (Used Before Code Date 01102900).	287	691693	Screw (Dipstick Tube)			

★ Included in Engine Gasket Set-Ref. No. 358.

● Included in Carburetor Overhaul Kit-Ref. No. 121 or 121A.

◆ Included in Carburetor Gasket Set-Ref. No. 977.

△ Included in Valve Gasket Set-Ref. No. 1095.

**Illustrations cover a range of engines. Parts shown without corresponding text may not be used on your specific engine.**

6359-14

**Assemblies include all parts shown in frames.**

10/07/2008

REF. NO.	PART NO.	DESCRIPTION	REF. NO.	PART NO.	DESCRIPTION	REF. NO.	PART NO.	DESCRIPTION
<b>337</b>	<b>491055S</b>	Plug-Spark ----- <b>Note</b> ----- <b>691043</b> Plug-Spark Used on Type No(s). 0105, 0115, 0116, 0141, 0159, 0163, 0164, 0165, 0166, 0174, 0183, 0185, 0186, 0190, 0191, 0195, 0196, 0199, 0200, 0201, 0207, 0211, 0280, 0313, 0533, 0535, 0536, 0537, 0538, 0541, 0542, 0549, 0550, 0563. <b>792015</b> Plug-Spark Used on Type No(s). 0280.	<b>363</b>	<b>19203</b>	Puller-Flywheel	<b>501</b>	<b>691185</b>	Regulator
			<b>364A</b>	<b>699947</b>	Terminal-Oil Plug	<b>503</b>	<b>691532</b>	Strap-Starter
			<b>369</b>	<b>695422</b>	Spring-Float Bowl	<b>504</b>	<b>695383</b>	Washer Set-Friction
			<b>383</b>	<b>19374S</b>	Wrench-Spark Plug	<b>505</b>	<b>691251</b>	Nut (Governor Control Lever)
			<b>410</b>	<b>695382</b>	Link-Control			
			<b>412</b>	<b>690958</b>	Nut (Air Cleaner Cover)	<b>510</b>	<b>693699</b>	Drive-Starter
			<b>415</b>	<b>691363</b>	Plug	<b>513</b>	<b>692024</b>	Clutch-Drive
			<b>415B</b>	<b>690283</b>	Plug	<b>522</b>	<b>697689</b>	Plug-Dipstick/Fill Used on Type No(s). 0178, 0184, 0187, 0188, 0194, 0214.
			<b>425</b>	<b>694515</b>	Screw (Air Cleaner Cover)			
			<b>425A</b>	<b>790043</b>	Screw (Air Cleaner Cover)	<b>523</b>	<b>695344</b>	Dipstick
			<b>436C</b>	<b>792374</b>	Manifold-Exhaust	<b>524</b>	<b>691876</b>	Seal-Dipstick Tube
			<b>437</b>	<b>696705</b>	Screw (Exhaust Manifold)	<b>525</b>	<b>695343</b>	Tube-Dipstick
			<b>445</b>	<b>491588S</b>	Filter-Air Cleaner Cartridge	<b>526</b>	<b>690297</b>	Screw (Regulator)
			<b>445A</b>	<b>695302</b>	Filter-Air Cleaner Cartridge Used on Type No(s). 0113, 0126, 0213, 0281, 0303, 0304, 0305, 0307, 0310, 0311.	<b>529</b>	<b>791822</b>	Grommet
						<b>544</b>	<b>692034</b>	Armature-Starter
<b>346</b>	<b>690367</b>	Screw (Spark Arrestor) ----- <b>Note</b> ----- <b>690661</b> Screw (Spark Arrestor) Used on Type No(s). 0113, 0116, 0120, 0123, 0125, 0128, 0129, 0148, 0150, 0180, 0227, 0228.	<b>455</b>	<b>694683</b>	Cup-Flywheel ----- <b>Note</b> ----- <b>697357</b> Cup-Flywheel Used on Type No(s). 0194.	<b>552</b>	<b>694674</b>	Bushing-Governor Crank
						<b>562</b>	<b>793216</b>	Bolt (Governor Control Lever)
						<b>564</b>	<b>692577</b>	Screw (Control Cover)
						<b>564A</b>	<b>692198</b>	Screw (Control Cover)
<b>347</b>	<b>698338</b>	Switch-Rocker Used on Type No(s). 0038, 0115, 0120, 0123, 0126, 0141, 0148, 0227, 0228, 0280, 0538.	<b>456</b>	<b>692299</b>	Plate-Pawl Friction	<b>575</b>	<b>692303</b>	Switch-Starting Used on Type No(s). 0041, 0050, 0118, 0123, 0148, 0169, 0210.
			<b>459</b>	<b>281505S</b>	Pawl-Ratchet			
			<b>467</b>	<b>691668</b>	Knob-Air Cleaner Used on Type No(s). 0113, 0126, 0213, 0281, 0303, 0304, 0305, 0307, 0310, 0311.	<b>577</b>	<b>690630</b>	Cable-Starter
<b>347A</b>	<b>697854</b>	Switch-Rocker				<b>577A</b>	<b>690795</b>	Cable-Starter
<b>347B</b>	<b>790949</b>	Switch-Rocker	<b>474A</b>	<b>695730</b>	Alternator (3 Amps DC)	<b>578</b>	<b>692306</b>	Wire Assembly Used on Type No(s). 0123, 0148, 0185, 0186, 0204, 0210, 0216, 0229.
<b>355</b>	<b>691075</b>	Washer (Muffler Bracket)	<b>474D</b>	<b>695466</b>	Alternator (10 Amp Regulator)	<b>578A</b>	<b>790948</b>	Wire Assembly
<b>356</b>	<b>692603</b>	Wire-Stop	<b>493</b>	<b>694861</b>	Bracket-Mounting (Oil Sensor)	<b>579</b>	<b>691029</b>	Nut (Starter Cable) ----- <b>Note</b> ----- <b>696198</b> Nut (Starter Cable) Used on Type No(s). 0118, 0123, 0148.
<b>356A</b>	<b>692390</b>	Wire-Stop	<b>493A</b>	<b>691177</b>	Bracket-Mounting			
<b>356B</b>	<b>699340</b>	Wire-Stop	<b>493B</b>	<b>699973</b>	Bracket-Mounting			
<b>356C</b>	<b>695295</b>	Wire-Stop	<b>500</b>	<b>691086</b>	Washer (Key Switch)			
<b>356D</b>	<b>695366</b>	Wire-Stop	<b>500A</b>	<b>792613</b>	Washer (Key Switch)	<b>592</b>	<b>690800</b>	Nut (Rewind Starter)
<b>356E</b>	<b>696328</b>	Wire-Stop						
<b>356H</b>	<b>696482</b>	Wire-Stop						
<b>356J</b>	<b>699994</b>	Wire-Stop						
<b>356K</b>	<b>697397</b>	Wire-Stop						
<b>356L</b>	<b>792609</b>	Wire-Stop						
<b>358</b>	<b>695438</b>	Gasket Set-Engine						
<b>361</b>	<b>691681</b>	Screw (Starting Switch)						
<b>361A</b>	<b>690297</b>	Screw (Starting Switch)						

★ Included in Engine Gasket Set-Ref. No. 358.

● Included in Carburetor Overhaul Kit-Ref. No. 121 or 121A.

◆ Included in Carburetor Gasket Set-Ref. No. 977.

△ Included in Valve Gasket Set-Ref. No. 1095.

*Illustrations cover a range of engines. Parts shown without corresponding text may not be used on your specific engine.*

# 205400

REF. NO.	PART NO.	DESCRIPTION	REF. NO.	PART NO.	DESCRIPTION	REF. NO.	PART NO.	DESCRIPTION
597	691696	Screw (Pawl Friction Plate)	668	694257	Spacer (Control Bracket)	799	695446	Screw (Oil Sensor)
601	791850	Clamp-Hose	676	393761	Deflector-Muffler			(Shoulder Screw)
604	697326	Cover-Control	676B	397630	Deflector-Muffler (Louvered)			----- Note -----
		----- Note -----			Used on Type No(s). 0212.			690297 Screw (Oil Sensor)
		697326 Cover-Control (Used After Code Date 01061000). Used on Type No(s). 0116, 0118, 0120, 0177, 0179.	677	690661	Screw (Muffler Deflector)	801	694482	Cap-Drive
		696078 Cover-Control (Used Before Code Date 01061100). Used on Type No(s). 0116, 0118, 0120, 0177, 0179.	677B	690367	Screw (Muffler Deflector)	802	691286	Cap-End
604A	791752	Cover-Control			Used on Type No(s). 0212.	803		Housing-Starter (Not Serviced Separately, Order Starter Motor 695479)
608	695287	Starter-Rewind	689	691855	Spring-Friction	813	690635	Clamp
608A	497680	Starter-Rewind	692	691301	Spring-Detent	819	690352	Screw (Muffler Bracket)
613	695312	Screw (Muffler)	695	698807	Screw (Ring Gear)	832	795035	Guard-Muffler
613A	695399	Screw (Muffler)	697	690372	Screw (Drive Cap)	832C	792380	Guard-Muffler
615	694676	Retainer-Governor Shaft	718	690959	Pin-Locating	836	695312	Screw (Muffler Guard)
616	694675	Crank-Governor	718A	695178	Pin-Locating (Head)			(Used After Code Date 01061000). ----- Note -----
621	692310	Switch-Stop	725A	792995	Shield-Heat			690367 Screw (Muffler Guard)
622	698839	Washer (Heat Shield)			----- Note -----			(Used Before Code Date 01061100).
627	696064	Bracket-Stopswitch			792995 Shield-Heat (Used After Code Date 06112600). Used on Type No(s). 0194, 0205.	836C	710023	Screw (Muffler Guard)
627A	792608	Bracket-Stopswitch			698836 Shield-Heat (Used Before Code Date 06112700). Used on Type No(s). 0194, 0205.	842	691031	Seal-O Ring (Dipstick Tube)
632	694868	Spring/Link-Mechanical Governor (Used With Walbro Carburetors)	725B	698837	Shield-Heat (Used on Type No(s). 0194, 0205.	843	695588	Sleeve-Lever
		----- Note -----			Used on Type No(s). 0194, 0205.	847	695342	Dipstick/Tube Assembly
		695917 Spring/Link-Mechanical Governor (Use With Nikki Carburetor)	727A	697465	Cover-Starter Drive	851	692424	Terminal-Spark Plug
633	690597	Seal-Choke/Throttle Shaft	728	696763	Screw (Heat Shield)	863C	793700	Bracket-Muffler
633A	691326	Seal-Choke/Throttle Shaft	732	691097	Screw (Starter Drive Cover)	868	690968	Seal-Valve
633B	690998	Seal-Choke/Throttle Shaft	740	710090	Nut (Muffler Bracket)	875	695304	Base-Air Cleaner (Plastic)
635	691909	Boot-Spark Plug	740A	793859	Nut (Muffler Bracket)			Used on Type No(s). 0113, 0126, 0213, 0281, 0303, 0304, 0305, 0307, 0310, 0311.
636	696198	Nut (Starting Switch)	741	691288	Gear-Timing	883	695398	Gasket-Exhaust (Used Before Code Date 02012000).
641	690282	Washer (Starting Switch)	742	692564	Retainer-E Ring	883A	697255	Gasket-Exhaust (Used After Code Date 02011900).
663	692577	Screw (Control Panel)	746	694679	Gear-Idler			883C 710250 Gasket-Exhaust
664	691087	Nut (Key Switch)	773	694258	Retainer	892	392833	Switch-Key
			774	695447	Screw (Stop Wire)	892A	791944	Switch-Key
			783	693713	Gear-Pinion	914	693732	Screw (Rocker Cover)
			798	697890	Screw (Rocker Arm)			

★ Included in Engine Gasket Set-Ref. No. 358.

● Included in Carburetor Overhaul Kit-Ref. No. 121 or 121A.

◆ Included in Carburetor Gasket Set-Ref. No. 977.

△ Included in Valve Gasket Set-Ref. No. 1095.

**Illustrations cover a range of engines. Parts shown without corresponding text may not be used on your specific engine.**

6359-16

**Assemblies include all parts shown in frames.**

10/07/2008



REF. NO.	PART NO.	DESCRIPTION	REF. NO.	PART NO.	DESCRIPTION	REF. NO.	PART NO.	DESCRIPTION
920	691656	Solenoid-Starter	990	691959	Key Set	1070	691058	Screw
934	710550	Screw (Fan Retainer)	990A	695756	Key Set Used on Type No(s).			(Flywheel Fan)
950	691657	Screw-Float Bowl			0041, 0050, 0169,	1090	691293	Retainer-Brush
951	699961	Lever-Choke			0210, 0303, 0311,	1095	695440	Gasket Set-Valve
955	695659	Plug-Carburetor			0541, 0542, 0550.	1100	791959	Pivot-Rocker Arm
957	792647	Cap-Fuel Tank (Plastic)	994	392390	Arrestor-Spark Used on Type No(s).	1119	691183	Screw
958	698180	Valve-Fuel Shut Off (Plastic)			0116, 0190, 0191.	1127A	695407	Screw
967	491435S	Filter-Pre Cleaner	998	696683	Pipe-Oil Used on Type No(s).			(Float Bowl)
967A	695303	Filter-Pre Cleaner Used on Type No(s).			0278.	1138	694255	Nut
		0113, 0126, 0213,	1005	694684	Fan-Flywheel			(Control Bracket)
		0281, 0303, 0304,	1022	★△690971	Gasket-Rocker Cover	1171	696754	Stud
		0305, 0307, 0310,	1023	697691	Cover-Rocker			(Rocker Cover)
		0311.	1026	695177	Rod-Push	1177	710090	Nut
968	790959	Cover-Air Cleaner	1029	690972	Arm-Rocker			(Muffler)
968A	692321	Cover-Air Cleaner Used on Type No(s).	1036		Label-Emissions (Available From A Briggs & Stratton Authorized Dealer)	1194	691876	Seal-O Ring
		0038, 0115, 0116,						(Plug)
		0118, 0130, 0140,	1046	691337	Plug-Blower Housing Used on Type No(s).	1210	498144	Pulley/Spring Assembly
		0154, 0175, 0177,			0118.			(Pulley)
		0178, 0179, 0187,	1051	691265	Ring-Retaining	1211	498144	Pulley/Spring Assembly
		0188, 0194, 0205,	1052A	791159	Sensor-Oil			(Spring)
		0212, 0214, 0216,	1058	277040	Operator's Manual	1212	792614	Stud
		0217, 0229, 0232,			----- Note -----			(Blower Housing)
		0280, 0538.			<b>MS3780</b> Manual- Operator's	1230	791754	Stud
968B	695301	Cover-Air Cleaner Used on Type No(s).			Used on Type No(s).			(Control Bracket)
		0113, 0126, 0213,			0036, 0038, 0105,	1298	696757	Nut
		0281, 0303, 0304,			0163, 0164, 0165,			(Heat Shield)
		0305, 0307, 0310,			0166, 0174, 0183,	1319	794467	Label-Warning
		0311.			0185, 0186, 0188,	1404	696757	Nut
968C	791930	Cover-Air Cleaner Used on Type No(s).			0195, 0196, 0199,			(Control Cover)
		0207, 0215.			0200, 0201, 0207,			
971	695181	Screw (Air Cleaner Base to Carburetor)			0211, 0232, 0280,			
972A	694260	Tank-Fuel (Plastic)			0313, 0533, 0535,			
975	495933	Bowl-Float			0536, 0537, 0538,			
975A	696138	Bowl-Float			0541, 0542, 0549,			
977	695439	Gasket Set-Carburetor (Used With Walbro Carburetors)			0550, 0563.			
					<b>MS3797</b> Manual- Operator's			
					Used on Type No(s).			
					0212.			

★ Included in Engine Gasket Set-Ref. No. 358.

● Included in Carburetor Overhaul Kit-Ref. No. 121 or 121A.

◆ Included in Carburetor Gasket Set-Ref. No. 977.

△ Included in Valve Gasket Set-Ref. No. 1095.

*Illustrations cover a range of engines. Parts shown without corresponding text may not be used on your specific engine.*

Not for  
Reproduction

Not for  
Reproduction

Not for  
Reproduction



## Free Manuals Download Website

<http://myh66.com>

<http://usermanuals.us>

<http://www.somanuals.com>

<http://www.4manuals.cc>

<http://www.manual-lib.com>

<http://www.404manual.com>

<http://www.luxmanual.com>

<http://aubethermostatmanual.com>

Golf course search by state

<http://golfingnear.com>

Email search by domain

<http://emailbydomain.com>

Auto manuals search

<http://auto.somanuals.com>

TV manuals search

<http://tv.somanuals.com>