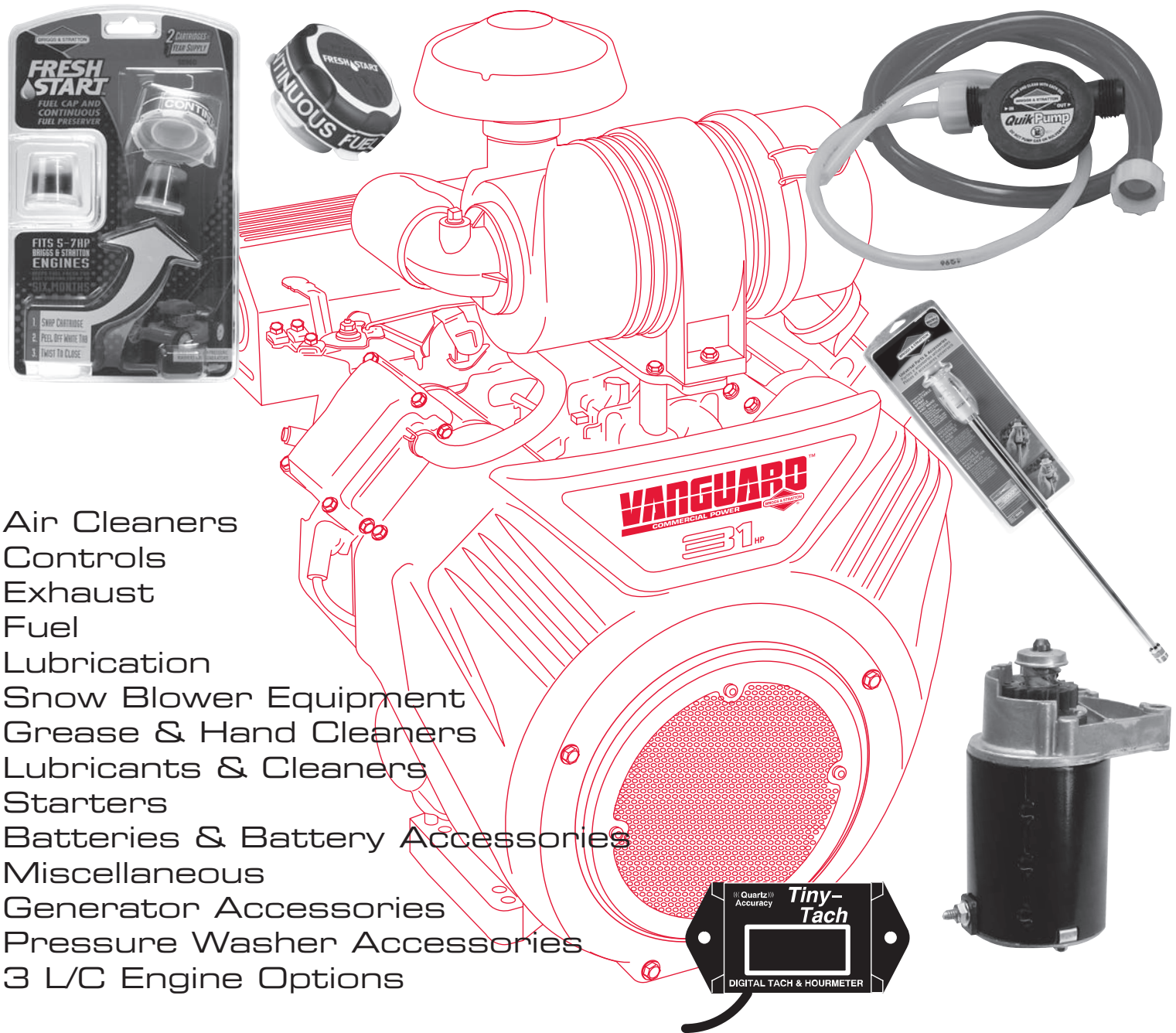




BRIGGS & STRATTON Accessories Catalog



- Air Cleaners
- Controls
- Exhaust
- Fuel
- Lubrication
- Snow Blower Equipment
- Grease & Hand Cleaners
- Lubricants & Cleaners
- Starters
- Batteries & Battery Accessories
- Miscellaneous
- Generator Accessories
- Pressure Washer Accessories
- 3 L/C Engine Options

TABLE OF CONTENTS

AIR CLEANERS

| | |
|---|---|
| DUAL ELEMENT AIR CLEANER KITS | 1 |
| REMOTE AIR INTAKE KITS | 1 |
| TWO STAGE CENTRIFUGAL AIR CLEANER | 2 |

CONTROLS

| | |
|---------------------------------------|---|
| THROTTLE CONTROLS | 3 |
| REMOTE THROTTLE CONTROL BRACKET | 4 |
| REMOTE CHOKE ADAPTER | 4 |

EXHAUST

| | |
|---|----|
| STANDARD MUFFLER DEFLECTORS, STANDARD MUFFLER LOCKNUTS & EXHAUST ELBOWS | 5 |
| MUFFLERS, GUARDS, MANIFOLDS, KITS, BRACKETS, ADAPTERS, DEFLECTORS & SPARK ARRESTERS | |
| Models 60000, 80000, 90000 & 110000 | 6 |
| Vanguard™ Models 85400, 115400 & 117400 | 6 |
| Models 90000, 93400, 10A900 & 110000 | 7 |
| Models 99700, Quantum® 100000 & 120000 | 8 |
| Intek™ Models 110400, 111400, 120400, 121400, 123400, 124400, 126400, 127400, 128400 & Vanguard™ 118400 | 9 |
| Intek™ Models 110600, 111600, 121400, 121600, 126600 | 10 |
| Intek™ Models 12A400, 12B400, 12C400 & 12D400 | 11 |
| Model 130000 | 12 |
| Models 133400 & 138400 | 13 |
| Models 170000, 185400 & 190000 | 14 |
| Model 190000 | 15 |
| Models 20A400, 20B400, 20C400, 20D400, 20E400, 20F400, 20G400, 201400, 202400, 203400, 204400, 205400, 206400, 207400 | 16 |
| Models 21A400, 210400, 21A800, 21A900, 21B900, 212700, 212900 | 17 |
| Models 220000 & 250000 | 18 |
| Models 230000, 235400, 240000, 245400 & 320000 | 19 |
| Model 280000 | 20 |
| Models 28AH00, 28CH00, 31G700 & 28N700 | 21 |
| Models 28P700, 28Q700, 311700 & 312700 | 22 |
| Vanguard™ Models 290000, 300000 & 350000 | 23 |
| Vanguard™ Models 290000, 300000 & 350000 | 24 |
| Vanguard™ Models 290000, 300000, 350000 & 380000 | 25 |

| | |
|---|----|
| Vanguard™ Models 380400, 380700, 381400 & 381700 | 26 |
| Models 400000, 420000, Intek™ 405700, 406700, 407700, 445700, 446700 | 27 |
| Vanguard™ Models 540000 & 543400 | 28 |

FUEL

| | |
|---|----|
| FUEL TANKS FOR REMOTE MOUNTING | 29 |
| FUEL SHUT-OFF VALVES, IN-LINE FUEL FILTERS | 29 |
| FUEL STRAINERS, FUEL GAUGES | 30 |
| FUEL LINES, FUEL CLAMPS | 30 |
| FUEL CANS, FUEL STABILIZERS, & FRESH START™ | 31 |
| FUEL CANS, FUEL CONTAINER SUMMARY | 32 |

LUBRICATION

| | |
|---|----|
| OIL, GEAR LUBE | 33 |
| OIL GARD® KITS, EXTENDED OIL FILL KITS | 34 |
| DIPSTICKS, VALVE COVER OIL FILL | 34 |
| OIL MINDERS, OIL FILTER ADAPTER, OIL DRIP TRAY | 35 |
| REMOTE MOUNTING OIL FILTER KITS | 35 |
| OIL DRAIN PLUGS & FITTINGS | 36 |
| OIL PRESSURE SWITCH, OIL DRAIN VALVE AND HOSE | 36 |

SNOW BLOWER EQUIPMENT

| | |
|---------------------|----|
| BLOCK HEATERS | 36 |
|---------------------|----|

GREASE & HAND CLEANERS

| | |
|--|----|
| THREAD COMPOUND AND ANTI-SEIZE LUBRICANT, GREASE GUN KIT & REFILL, HAND CLEANERS | 37 |
|--|----|

LUBRICANTS & CLEANERS

| | |
|---|----|
| LUBRICANTS, CARBURETOR CLEANERS, DEGREASERS, FOGGING OIL, BATTERY TERMINAL PROTECTOR, PENETRATING OIL | 38 |
|---|----|

STARTERS

| | |
|--|----|
| 12 AND 120 VOLT ELECTRIC STARTER KITS | 39 |
| 120 AND 230 VOLT ELECTRIC STARTER KITS, IGNITION SWITCHES | 40 |
| STARTER PANELS, STARTER SOLENOID | 41 |
| REWIND STARTER GUARDS & HANDLE | 41 |
| ROPE GUIDE, SPARK PLUG SHIELD | 42 |
| DEBRIS GUARDS | 42 |

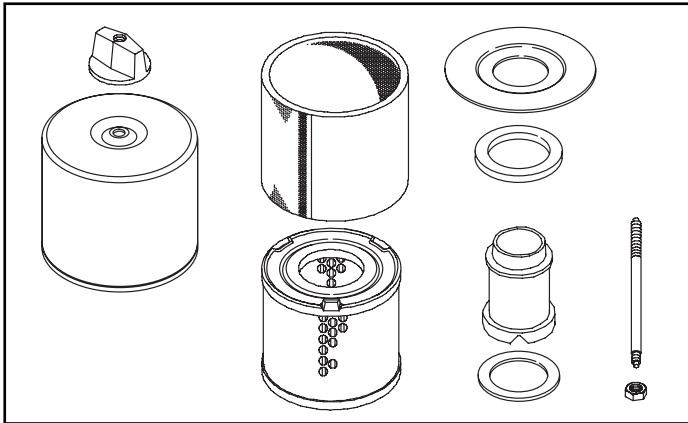
TABLE OF CONTENTS

| | | | |
|--|----|--|----|
| BATTERIES & BATTERY ACCESSORIES | 43 | SPRAY TIP, WANDS, SPRAY NOZZLE, SIPHON NOSE & FILTER, BRUSH KIT, WATER BROOM. | 52 |
| MISCELLANEOUS | | POWER WASHER ACCESSORY MATRIX CHART | 53 |
| AMMETER & HOUR METER, DIGITAL TACHOMETER | 44 | EXTENSION, BRUSH, QUICK CONNECTS, ADAPTERS, PUMP SAVER, QUICK CONNECTS, CLEANING KIT | 53 |
| STUB SHAFT KITS | 44 | 3L/C ENGINE OPTIONS | |
| STUB SHAFT & ALIGNMENT PIN COMBINATIONS | 45 | ELECTRICAL CONNECTORS, FAN MOTOR KIT | 55 |
| FIX-A-THREAD KITS, AEROSOL SPRAY PAINT | 46 | FUEL FILTER | 55 |
| MAINTENANCE MINDER™, NORAM™ | | STARTER RELAY, DIGITAL TACHOMETER AND HOURMETER, TRANSDUCER, TINY TACH | |
| REDUCTION GEAR BOXES | 47 | ADAPTER, RESERVE TANK FOR RADIATOR | 56 |
| ADAPTER PLATE, SPACER KIT, SPARK PLUGS, TIRE SEALANT, OIL PUMP KIT | 48 | 3 CYLINDER VANGUARD™ LIQUID COOLED | 57 |
| BRIGGS & STRATTON POWER PRODUCTS | | MANUALS/CD'S | |
| GENERATOR ACCESSORIES | | Technical Manuals, Troubleshooting Guides & Parts Catalogs | 58 |
| STORAGE KITS, WHEEL KITS, FUEL GAUGES | 49 | | |
| 12-VOLT BATTERY CHARGE CABLES | 49 | | |
| WEATHERGUARD KIT, TRANSFER SWITCH | 50 | | |
| GENERATOR ACCESSORY MATRIX | 50 | | |
| BRIGGS & STRATTON POWER PRODUCTS | | | |
| PRESSURE WASHER ACCESSORIES | | | |
| WASHES, DEGREASER, BRUSHES, WAND, HOSES | 51 | | |

NOTES

- CAUTION:**
- Outlets on muffler deflectors must not point towards fuel tank, carburetor or air cleaner.
 - Spark arresters are U.S. Forest Service approved.
 - Muffler guards, labeled **TUV** in the illustrations, have passed European Safety Standards.
 - Where part numbers of individual fasteners are shown, they must be ordered separately.
 - See IPLs for other date codes, mounting hardware, P/Ns and specific parts replacement information.
 - Because Briggs & Stratton engines power a wide range of equipment, space limitations or interference may prevent using an accessory on an application. Check equipment for potential interference before ordering any accessory.

AIR CLEANERS



DUAL ELEMENT AIR CLEANER KITS

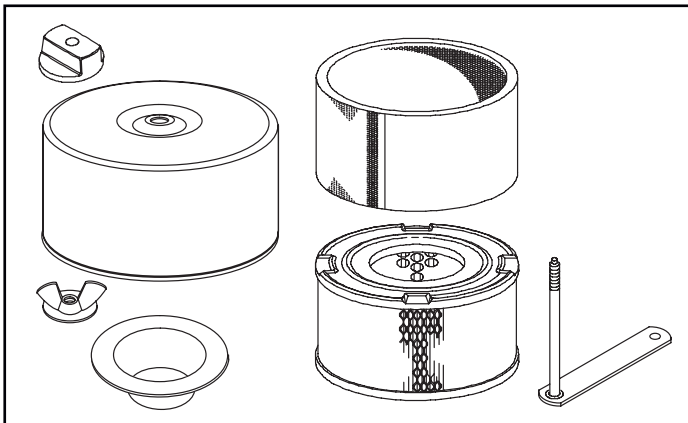
Extends service intervals. Combines proven features of automotive type paper cartridge and Oil-Foam pre-cleaner for longer life.

Part No.

393766

Models

2 and 3 HP horizontal crankshaft engines with 2-piece flo-jet carburetors only and 2 through 5 HP horizontal and vertical crankshaft engines equipped with Vacu-Jet and Pulsa-Jet carburetors with oil foam air cleaners only.

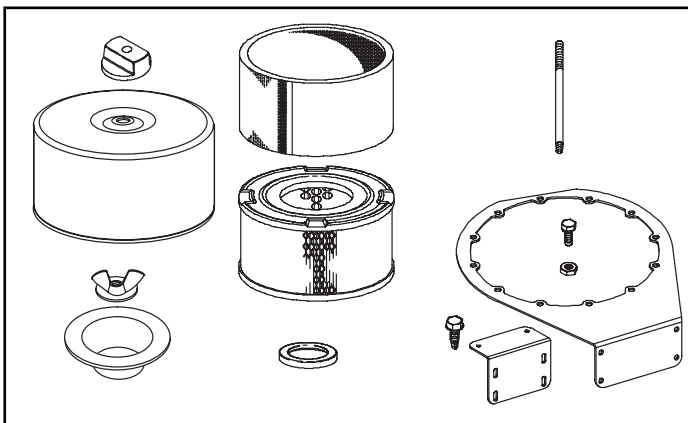


Part No.

393459

Models

7 and 8 HP horizontal crankshaft engines with 2-piece flo-jet carburetors only.



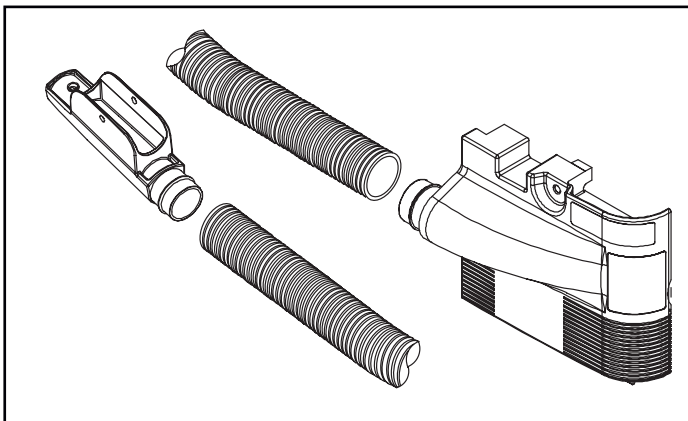
Part No.

399644

Models

10 and 11 HP vertical crankshaft engines with 1-piece flo-jet carburetors (pre world class carburetors only) Features larger capacity automotive type paper cartridge and Oil-Foam pre-cleaner for extended life.

Note: Stud in this kit has a #10-32 UNF-2A thread.



REMOTE AIR INTAKE KITS

Part No.

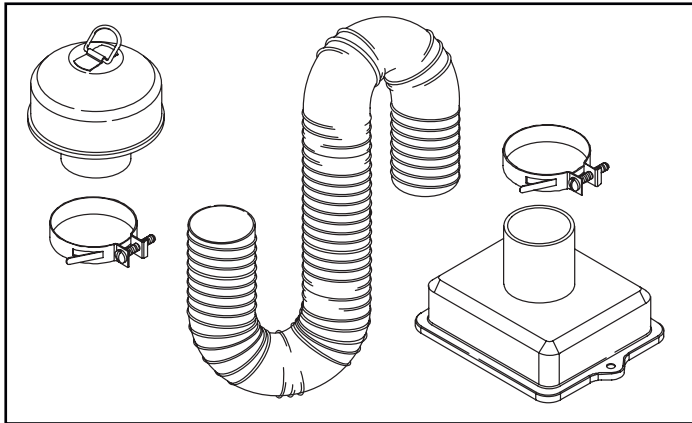
498204*

Models

Kit for Quantum® power engines (including mounting hardware). Mount intake head at a remote location, e.g., handle bar. (Does not include air cleaner element)

*Do not use these remote air intake kits on engines built after code date 95073100.

AIR CLEANERS



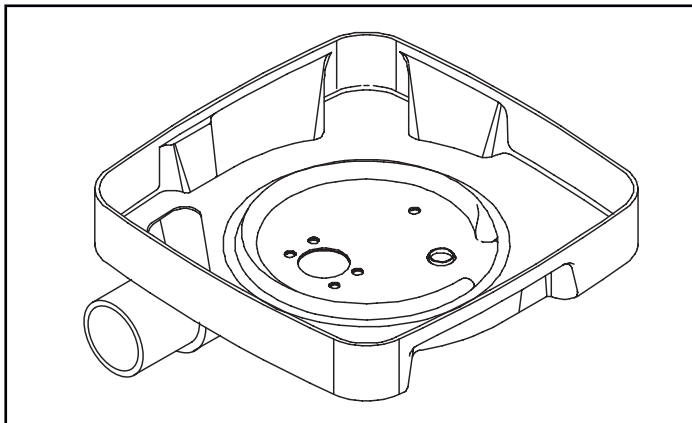
REMOTE AIR INTAKE KITS

| <u>Part No.</u> | <u>Models</u> |
|-----------------|--|
| 492206 | Kit for 5 HP horizontal crankshaft engines equipped with air cleaner design as shown. Mount hood at a remote location. |

| <u>Part No.</u> | <u>Quantity</u> | <u>Description</u> |
|-----------------|-----------------|---|
| 494345 | 1 | Tubing kit (3 ft/.9m hose and 2 hose clamps, part number 94489) |
| 492178 | 1 | Air cleaner cover |
| 492179 | 1 | Hood |

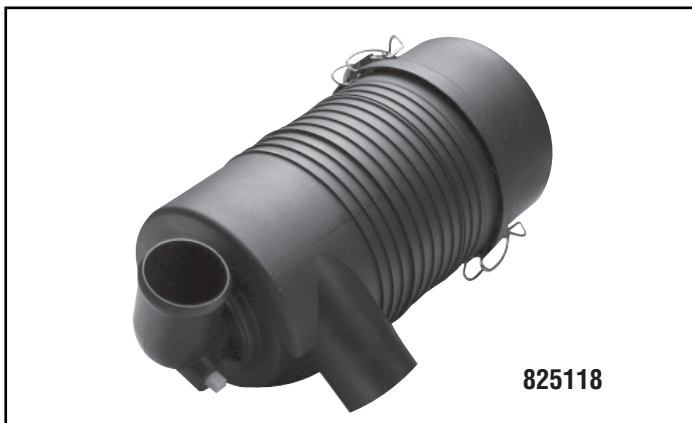
| <u>Part No.</u> | <u>Models</u> |
|-----------------|---|
| 690909* | Air cleaner base for Models 294400, 303400 and 350400 Vanguard™ V-Twin engine remote air cleaner. (Remote parts not supplied by Briggs & Stratton.) |

*Do not use these remote air intake kits on engines built after code date 95073100.

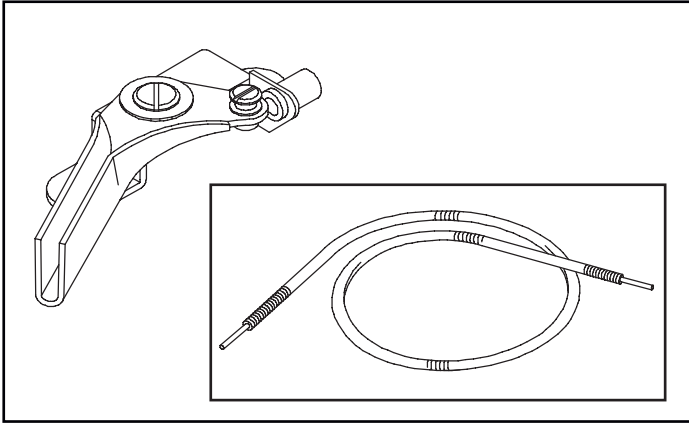


TWO STAGE CENTRIFUGAL AIR CLEANERS

| <u>Part No.</u> | <u>Description</u> |
|-----------------|---|
| 825117 | Housing & filter assembly, straight end, for 2 & 3 cylinder L/C engines |
| 825118 | Housing & filter assembly, 90 degree end, for 2 & 3 cylinder L/C engines |
| 820263 | Filter only for assemblies 825117 and 825118 |
| 809670 | Housing & filter assembly for 31 HP (540000) air-cooled V-Twin |
| 841497 | Filter for 809670 |
| 821136 | Safety filter for 809670 |



CONTROLS

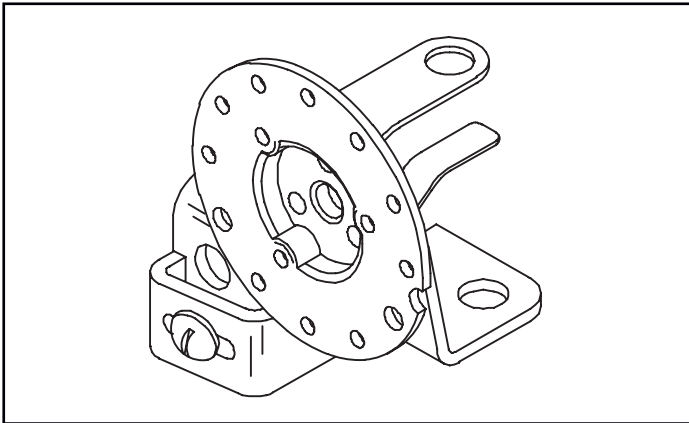


THROTTLE CONTROLS

| <u>Part No.</u> | <u>Description</u> |
|-----------------|------------------------------|
| 691028 | Speed control level assembly |

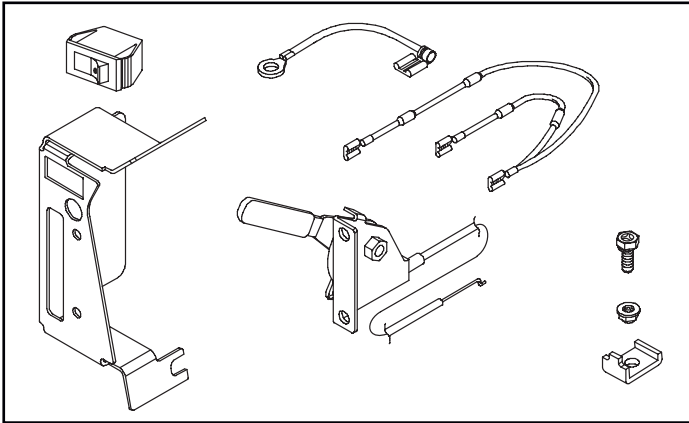
Order control wire and wire casing (inset) separately.

| <u>Part No.</u> | <u>Description</u> | <u>Length</u> |
|-----------------|--------------------|---------------|
| 691026 | Control wire | 78 inches |
| 691025 | Wire casing | 72 inches |
| 93907 | Control wire | 100 feet |
| 93908 | Wire casing | 50 feet |

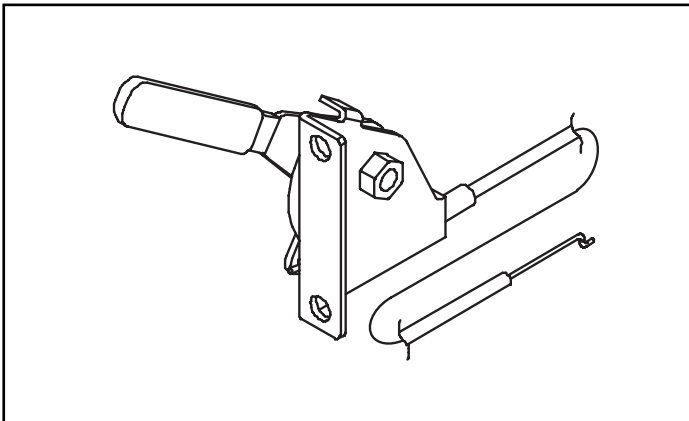


Disc type throttle control allows for remote speed operation.

| <u>Part No.</u> | <u>Models (horizontal crankshaft and 2-piece flo-jet carburetor)</u> |
|-----------------|--|
| 290062 | 80000 and 130000 with float feed carburetor |
| 291460 | 170000, 190000, 200000 and 2300002 |
| 299361 | 220000, 240000, 250000, 300000 and 320000 |



| <u>Part No.</u> | <u>Models</u> |
|-----------------|--|
| 494052 | Throttle control for Vanguard™ V-Twin horizontal crankshaft models. Includes panel, lever, control wire, rocker switch, decal and mounting hardware. |



Speed control lever assembly for Vanguard™ V-Twin horizontal crankshaft models.

| <u>Part No.</u> | <u>Models</u> |
|-----------------|--|
| 692541 | Lever-Control (Used with control lever and/or wire with a "Z" formed end). |
| 692105 | Lever-Control (Cable wire with an "L" formed end). |

CONTROLS

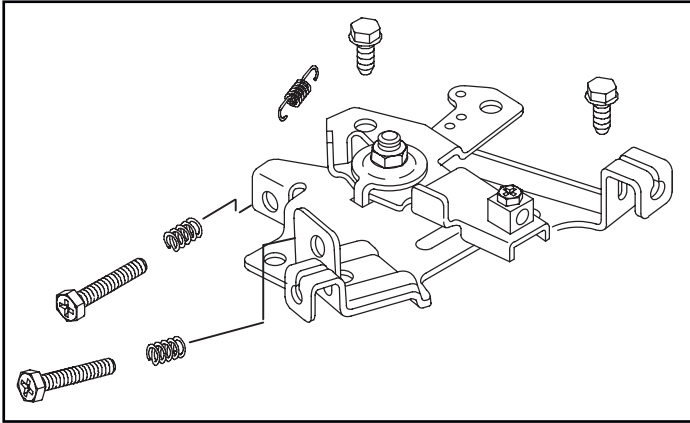
REMOTE THROTTLE CONTROL BRACKET

Part No.

715295

Models

Remote throttle control bracket for Vanguard™ Model 115400 (control cable not supplied by Briggs & Stratton).



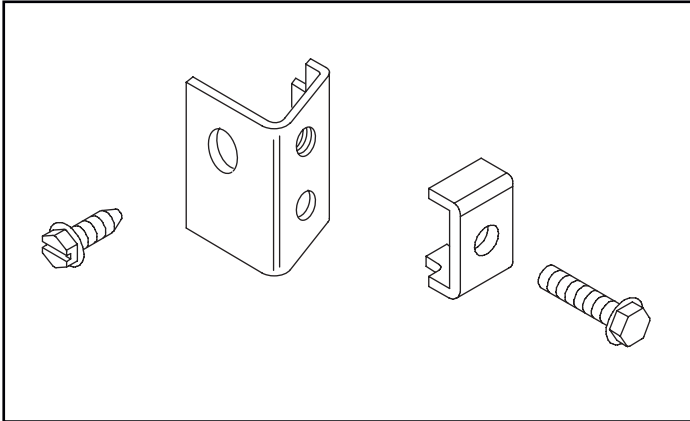
REMOTE CHOKE ADAPTER

Part No.

497201






Models

Remote choke adapter kit for 170000, 190000, 220000 & 250000 Industrial Plus™ engines. It includes a choke cable bracket, self-tapping screw, casing clamp and screw.








EXHAUST

STANDARD MUFFLER DEFLECTORS

| Engine Models |  Side out Deflector |  Direct out Deflector |  Louvered Deflector |  Louvered Deflector |  Side out Deflector |
|--|---|---|---|---|---|
| 60000, 80000, 90000 100000, 110000, 120000 | 393760 | 397931 | None | 396548 | 393756 |
| 85400, 110400, 111400, 115400, 117400, 120400, 121400, 123400, 138400, 185400 | 393757 | 395700 | 393758 | None | None |
| *130000, 170000, 190000 | 393757 | 395700 | 393758 | None | None |
| 220000, 230000, 235400, 240000, 245400, 250000, 280000, 290000, 300000, 311700, 320000, 350000, 380000, 400000, 420000 | 393761 | 396903 | 397630 | None | None |

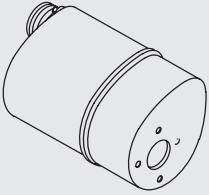
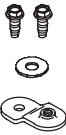
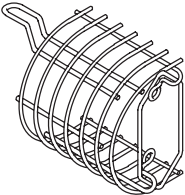
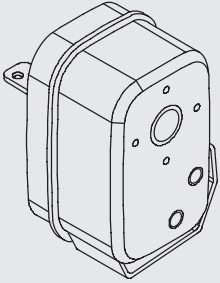
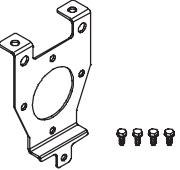
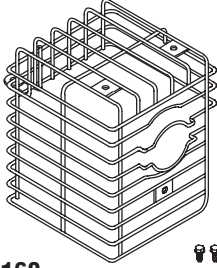

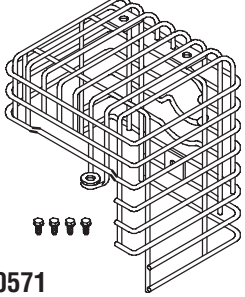



*Shallow side out deflector 494423 required with some model 130000 guards (see page 10).
Deflectors will not fit over spark arrester.

STANDARD MUFFLER LOCKNUTS & EXHAUST ELBOWS

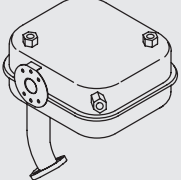

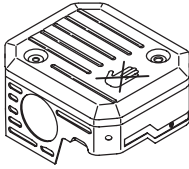

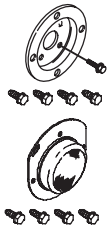
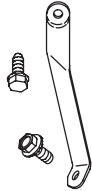
| Engine Models | National Pipe Thread |  Locknut |  45° |  90° |  45° Street Elbow |  90° Street Elbow |
|--|----------------------|--|--|--|---|---|
| 60000, 80000, 90000, 110000 | 1/2" (13 mm) | 691720 | None | None | None | 91812 (60000 only) |
| | | | | | 690291 | 91943 |
| 100000, 130000, 170000, 190000 400000, 420000 | 3/4" (19 mm) | 690453 | None | 692835 | 94089 | 94092 |
| 220000, 230000, 240000, 250000, 280000, 320000 | 1" (25 mm) | 691808 | 91415 | 91296 | None | 690281 |

EXHAUST

MODELS 60000, 80000, 90000 & 110000 HORIZONTAL CRANKSHAFT (1/2" OR 13 MM NPT)

| Muffler | Guard | Deflector | Spark Arrester |
|---|---|---|--|
|  <p>493288 Oval Lo-Tone</p> | <p>TUV</p>  <p>690664 691186 691194</p>  <p>690367</p> <p>690789</p> | <p>(See Page 5)</p> | |
|  <p>691360 Super Lo-Tone</p> | <p>TUV</p>  <p>398160 (model 82000 with float carburetor)</p>   <p>490571 (model 82000 with pulsa-jet carburetor)</p>   |  <p>397931 (this deflector only with these guards)</p> |  <p>398067</p> |

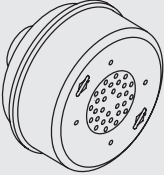
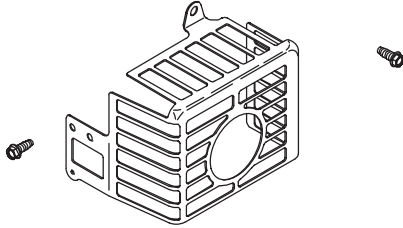
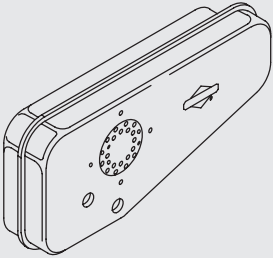
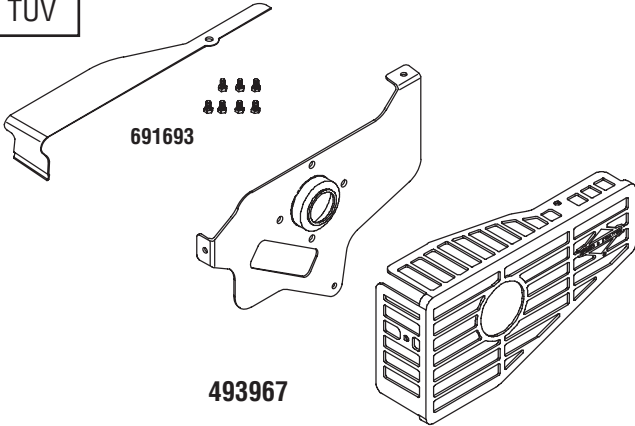


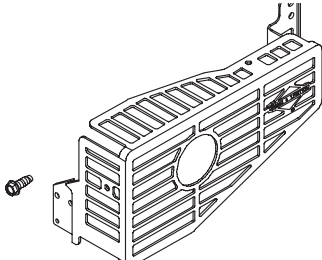

VANGUARD™ MODELS 85400, 115400 & 117400 HORIZONTAL CRANKSHAFT

| Muffler | Guard | Deflector | Spark Arrester | Bracket |
|--|---|---|--|--|
|  <p>715487 Lo-Tone</p> |  <p>710074</p>  <p>710332</p> |  <p>715230</p> |  <p>715491</p> |  <p>715287</p> |

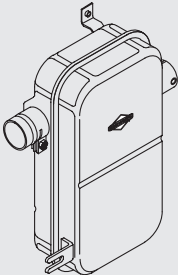
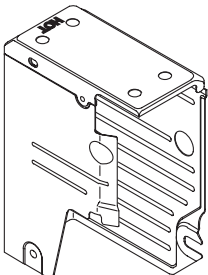


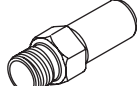
Note: Muffler brackets are for optional use on high vibration applications.

EXHAUST

MODELS 90000, 10A900 & 110000 VERTICAL CRANKSHAFT (1/2" OR 13 MM NPT)

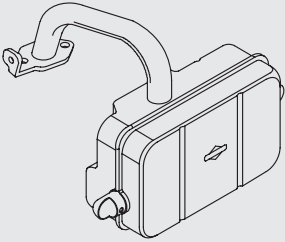
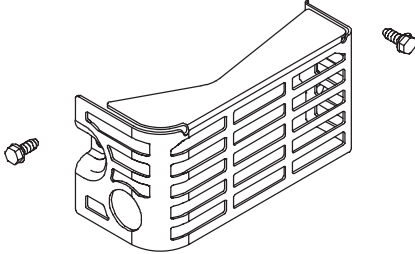
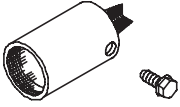
| Muffler | Guard | Deflector | Spark Arrester |
|---|---|--|--|
|  <p>394569S Round Lo-Tone</p> | <p>TUV</p>  <p>699670</p> | <p>(See Page 5)</p> | |
|  <p>692307 Super Lo-Tone</p> | <p>TUV</p>  <p>493967</p> |  <p>396548</p> |  <p>398067</p> |
| | <p>TUV</p>  <p>699299</p> |  <p>397931</p> | |

MODEL 93400 HORIZONTAL CRANKSHAFT

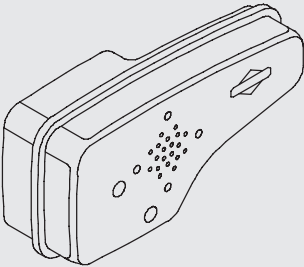
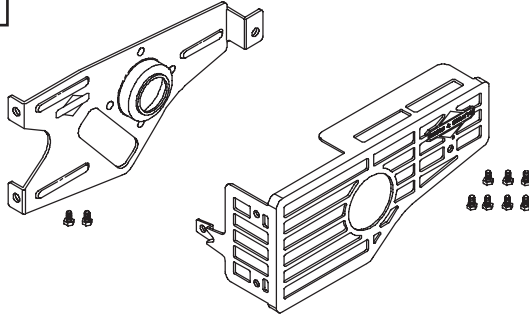
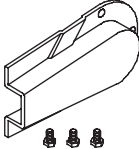

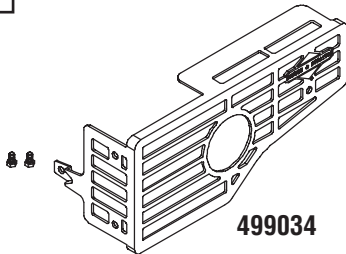
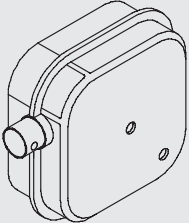
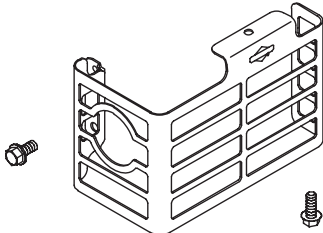
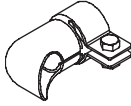
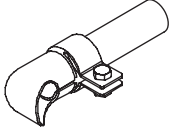
| Muffler | Guard | Deflector | Spark Arrester | Bracket |
|--|---|--|--|--|
|  <p>692365 Super Lo-Tone</p> | <p>TUV</p>  <p>692368</p> |  <p>692010</p> |  <p>690813</p> |  <p>690526</p> |

EXHAUST

MODEL 99700 VERTICAL CRANKSHAFT

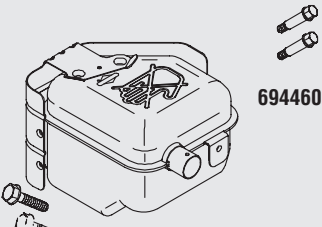
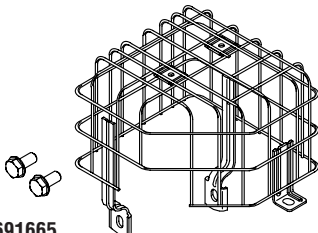


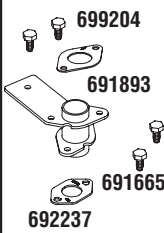
| Muffler | Guard | Deflector | Spark Arrester |
|--|--|------------------------|--|
|  <p>494717 Super Lo-Tone</p> | <p>TUV</p>  <p>494719</p> | <p>(Not Available)</p> |  <p>493662</p> |

QUANTUM® MODELS 10000 & 12000 VERTICAL CRANKSHAFT

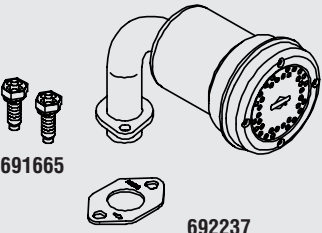
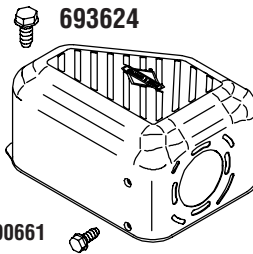


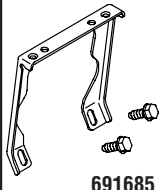
| Muffler | Guard | Deflector | Spark Arrester |
|--|---|--|--|
|  <p>496106S Super Lo-Tone</p> | <p>TUV</p>  <p>494224</p> |  <p>493871</p> |  <p>398067</p> |
| | <p>TUV</p>  <p>499034</p> | | |
|  <p>494343S Square Lo-Tone</p> | <p>TUV</p>  <p>691424</p> |  <p>697915</p> |  <p>692957</p> |

EXHAUST

INTEK™ MODELS 110400, 111400, 121400 & 123400 (SINGLE CYLINDER) HORIZONTAL CRANKSHAFT

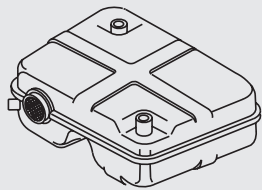
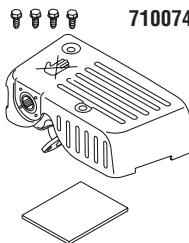

| Muffler | Guard | Deflector | Spark Arrester | Bracket |
|--|---|---|---|---|
|  <p>691108</p> <p>7/8" Opening 694429</p> |  <p>691665</p> <p>697818</p> <p>691003</p> |  <p>692010</p> |  <p>690813</p> |  <p>699204</p> <p>691893</p> <p>691665</p> <p>692237</p> <p>699232</p> |

INTEK™ MODELS 110400, 111400, 120400 & 121400 AFTER DATE CODE 98071900 & 123400 (SINGLE CYLINDER) HORIZONTAL CRANKSHAFT

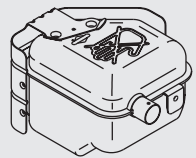
| Muffler | Guard | Deflector | Spark Arrester | Bracket |
|--|--|--|--|--|
|  <p>691665</p> <p>692237</p> <p>693593</p> |  <p>693624</p> <p>690661</p> <p>693583</p> |  <p>393757</p> <p>395700</p> |  <p>691685</p> <p>692595</p> |  <p>691685</p> <p>699229</p> |

VANGUARD™ MODEL 118400 (SINGLE CYLINDER) HORIZONTAL CRANKSHAFT

Note: Muffler brackets are for optional use on high vibration applications.

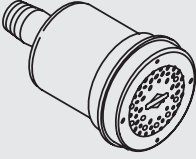
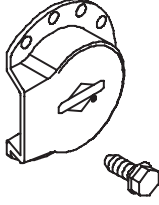
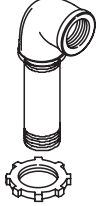
| Muffler | Guard | Deflector | Spark Arrester | Bracket |
|---|---|-----------------|-----------------|---|
|  <p>711239</p> |  <p>710074</p> <p>711241</p> <p>711243 insulator</p> | (not available) | (not available) |  <p>715861</p> <p>710099</p> |

INTEK™ MODELS 121400, 123400, 124400, 126400, 127400 & 128400 (SINGLE CYLINDER) HORIZONTAL CRANKSHAFT

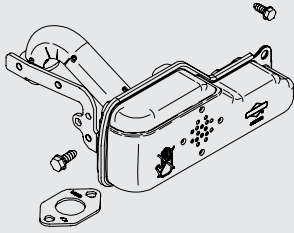
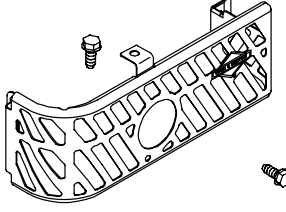
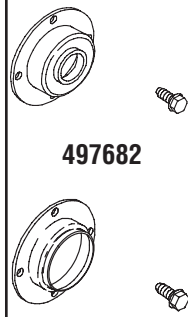

| Muffler | Guard | Deflector | Spark Arrester | Bracket |
|---|-----------------|-----------|----------------|-----------------|
|  <p>699231</p> <p>1-3/8" Opening</p> | (not available) | 697816 | 697817 | (not available) |

EXHAUST

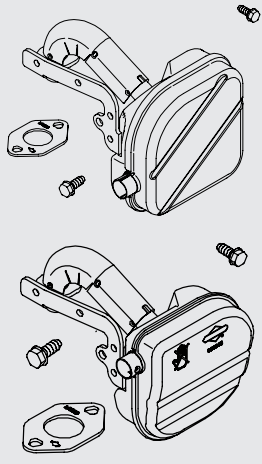
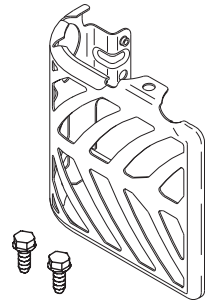
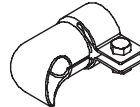
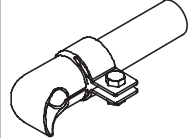
INTEK™ MODELS 121400 (SINGLE CYLINDER) HORIZONTAL CRANKSHAFT (BEFORE DATE CODE 98072000)

| Muffler | Guard | Deflector | Spark Arrester | Bracket |
|--|-----------------|---|-----------------|--|
|  <p>692580</p> | (not available) |  <p>393757</p> | (not available) |  <p>692548</p> |

INTEK™ MODELS 110600 & 126600 (SINGLE CYLINDER) VERTICAL CRANKSHAFT

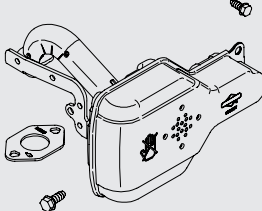
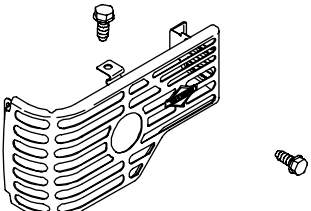

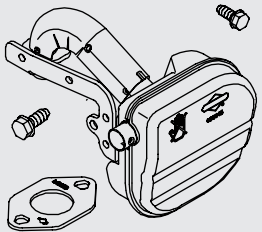
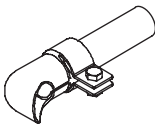
| Muffler | Guard | Deflector | Spark Arrester | Bracket |
|---|---|--|--|-----------------|
|  <p>694248 Muffler (Used After Code Date 99030700). <u>Note:</u> 692275 Muffler (Used Before Code Date 99030800).</p> |  <p>691466 Muffler Guard (Used After Code Date 99030700). <u>Note:</u> 692984 Muffler Guard (Used Before Code Date 99030800).</p> |  <p>497682 697915</p> |  <p>398067</p> | (not available) |

INTEK™ MODELS 111600 & 121600 VERTICAL CRANKSHAFT

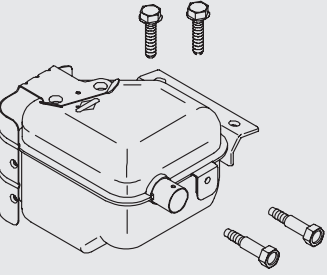
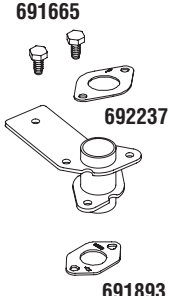
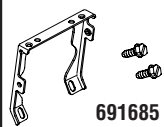
| Muffler | Guard | Deflector | Spark Arrester | Bracket |
|--|--|---|--|-----------------|
|  <p>699769</p> |  <p>695593</p> |  <p>397931</p> |  <p>692957</p> | (not available) |

EXHAUST

INTEK™ MODELS 111600 & 121600 VERTICAL CRANKSHAFT (CONTINUED)

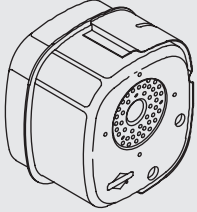

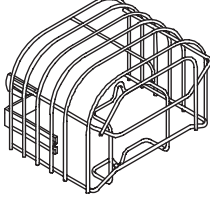


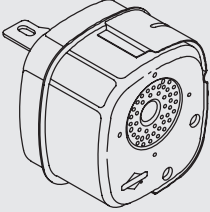

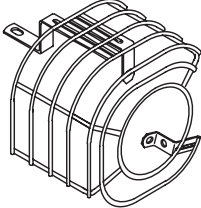

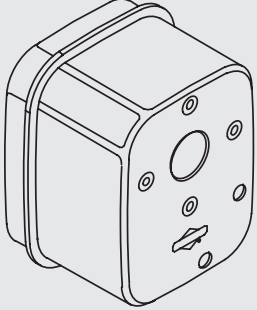
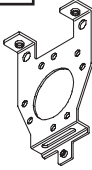
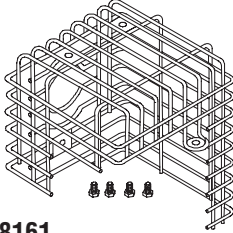
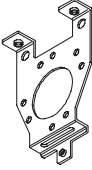
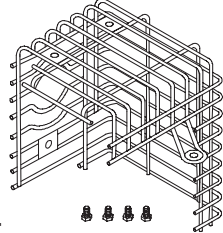
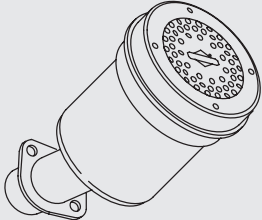
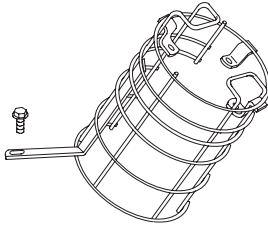

| Muffler | Guard | Deflector | Spark Arrester | Bracket |
|--|--|--|--|-----------------|
|  <p>692276</p> |  <p>692984</p> |  <p>396548 497682</p> | (not available) | (not available) |
|  <p>694248</p> | (not available) | (not available) |  <p>692957</p> | (not available) |

NTEK™ MODELS 12A400, 12B400, 12C400 & 12D400 (SINGLE CYLINDER SNOW ENGINE) HORIZONTAL CRANKSHAFT

| Muffler | Guard | Adapter | Spark Arrester | Bracket |
|--|-----------------|--|-----------------|--|
|  <p>699511</p> | (not available) |  <p>691665 692237 691893 699232</p> | (not available) |  <p>691685 695734</p> |

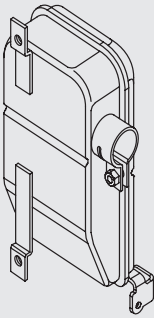
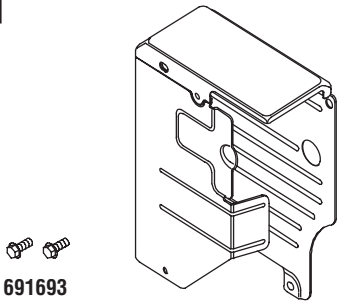
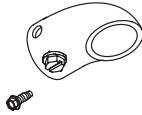


EXHAUST

MODEL 130000 HORIZONTAL & VERTICAL CRANKSHAFT (3/4" OR 19 MM NPT)

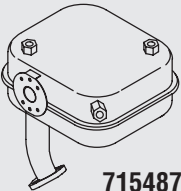
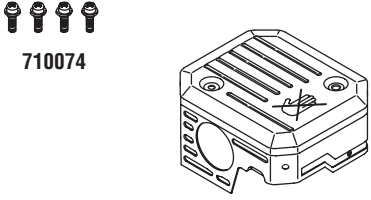

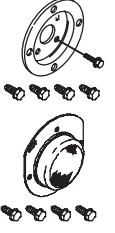
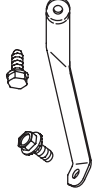
| Muffler | Guard | Deflector | Spark Arrester |
|--|--|--|---|
|  <p>390918S Lo-Tone</p> | <p>TUV</p>  <p>691681</p>  <p>690788 (vertical shaft)</p>  <p>690367</p> | (see Page 5) |  <p>399541</p> |
|  <p>692304 Lo-Tone</p> | <p>TUV</p>  <p>692198</p>  <p>690625 (model 130000 with pulsa-jet carburetor)</p>  <p>690367</p> | | |
|  <p>691969 Super Lo-Tone</p> | <p>TUV</p>  <p>398161 (model 132400 with float carburetor)</p>  | (these deflectors only with these guards) | |
| |  <p>490534 (model 130000 with pulsa-jet carburetor)</p>  | | |
|  <p>496892 Round Lo-Tone</p> | <p>TUV</p>  <p>498257</p> |  <p>493662 (this deflector only with this guard)</p> | |

EXHAUST

MODEL 133400 HORIZONTAL CRANKSHAFT

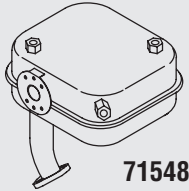

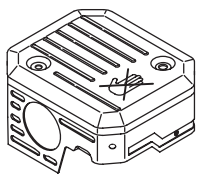

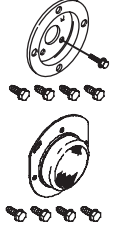
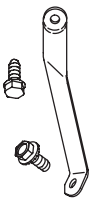
| Muffler | Guard | Deflector | Spark Arrester | Adapter |
|--|--|--|--|--|
|  <p>692006 Super Lo-Tone</p> | <p>TUV</p>  <p>690811 (691432 for Type No. 0700)</p> |  <p>692010</p> |  <p>690813</p> |  <p>692237</p> |

VANGUARD™ MODEL 138400 HORIZONTAL CRANKSHAFT

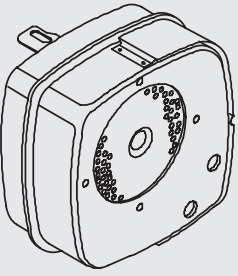

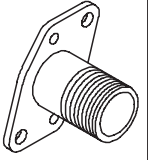
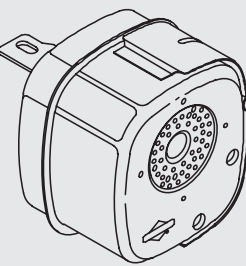
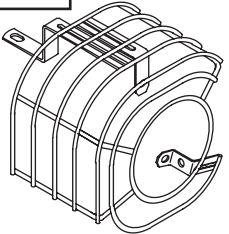
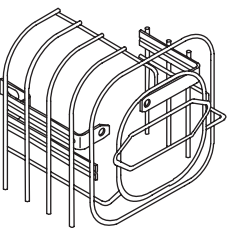

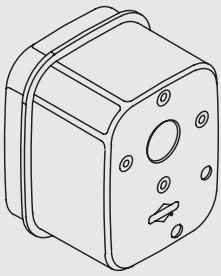
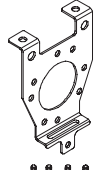
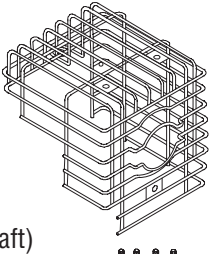

| Muffler | Guard | Deflector | Spark Arrester | Bracket |
|---|---|---|---|---|
|  <p>715487 Lo-Tone</p> |  <p>710332</p> |  <p>715230 (Also see Page 6)</p> |  <p>715491</p> |  <p>715287</p> |

EXHAUST

MODEL 185400 HORIZONTAL CRANKSHAFT

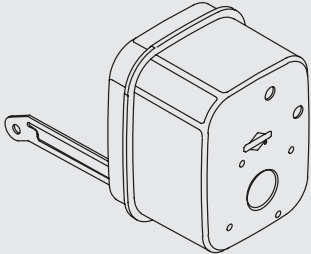
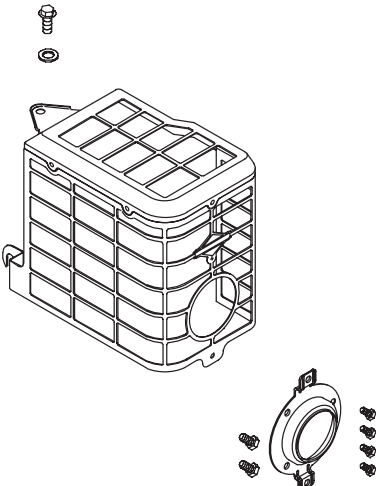


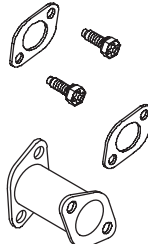
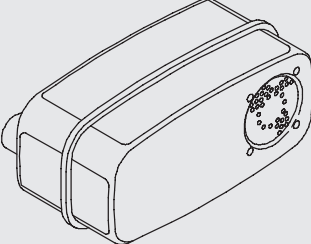
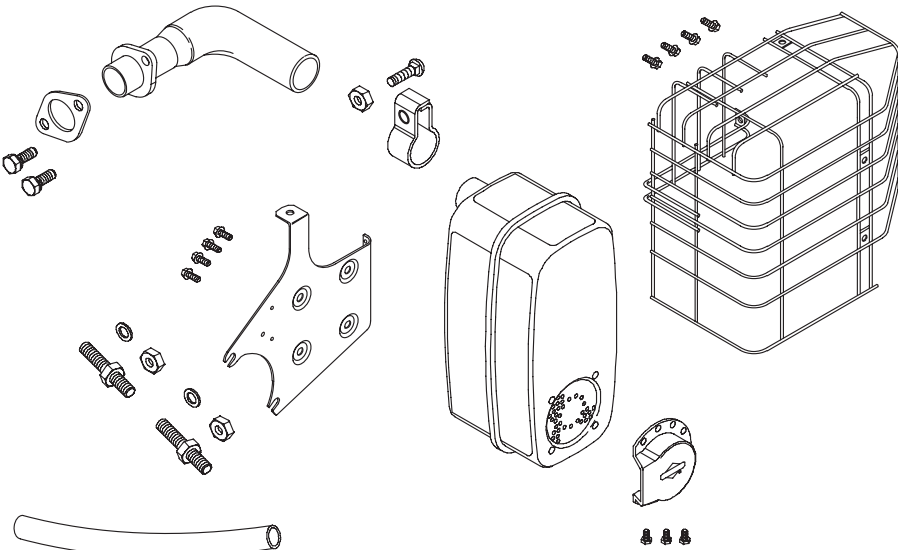
| Muffler | Guard | Deflector | Spark Arrester | Bracket |
|--|---|---|--|--|
|  <p>715487 Lo-Tone</p> |  <p>710074</p>  <p>710332</p> |  <p>715230 (Also see Page 6)</p> |  <p>715491</p> |  <p>715287</p> |

MODELS 170000 & 190000 HORIZONTAL & VERTICAL CRANKSHAFT (3/4" OR 19 MM NPT)

| Muffler | Guard | Deflector | Spark Arrester | Adapter |
|--|---|--|--|--|
|  <p>691951 Lo-Tone (remote)</p> | (not available) | (See Page 5) |  <p>399541</p> |  <p>394279</p> |
|  <p>692304 Lo-Tone</p> | <p>TUV</p>  <p>691988 (horizontal shaft)</p>  <p>690858 (vertical shaft)</p> | | |  <p>399541</p> |
|  <p>494221 Super Lo-Tone</p> | <p>TUV</p>  <p>494868 (horizontal shaft)</p>  <p>395700 (this deflector only with this guard)</p> |  <p>395700 (this deflector only with this guard)</p> | | |

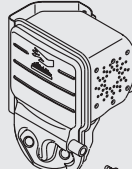
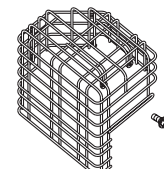
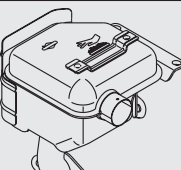
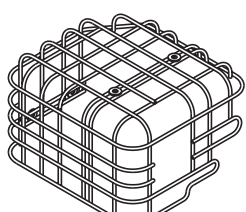
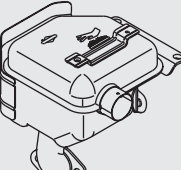
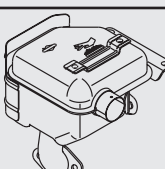
EXHAUST

MODEL 190000 HORIZONTAL CRANKSHAFT (3/4" OR 19 MM NPT)

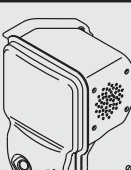
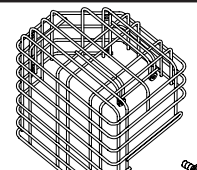


| Muffler | Guard | Deflector | Spark Arrester | Adapter |
|---|---|--|--|--|
|  <p>497141 Super Lo-Tone</p> | <p>TUV</p>  <p>691447</p> |  <p>395700 (this deflector only with these guards)</p> |  <p>399541</p> |  <p>497140</p> |
|  <p>498984S Super Lo-Tone</p> | <p>TUV</p>  <div data-bbox="724 1728 1357 1896" style="border: 1px solid black; padding: 5px;"> <p>494500 Super Lo-Tone Kit (horizontal shaft – includes special RAF reduced after fire muffler, guard and all mounting hardware – this 393761 deflector only with this guard)</p> </div> | | | |

EXHAUST

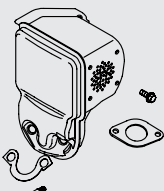
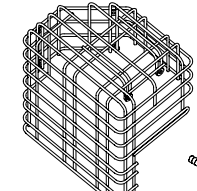
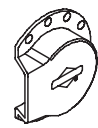

INTEK™ MODELS 20A400, 20B400, 20C400, 20D400, 20E400, 20F400 & 20G400 HORIZONTAL CRANKSHAFT

| Muffler | Guard | Deflector | Spark Arrester |
|---|--|-----------------|-----------------|
|  696706 |  695386 | (not available) | (not available) |
|  698160 |  698135 | | |
|  698134 | | | |
|  699222 | | | |

INTEK™ MODELS 201400, 202400, 203400, 204400, 205400, 206400 & 207400 (SINGLE CYLINDER) HORIZONTAL CRANKSHAFT; ALL AFTER DATE CODE 020120XX

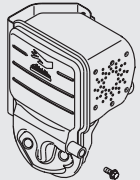
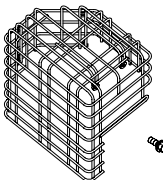
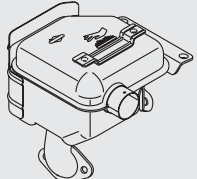
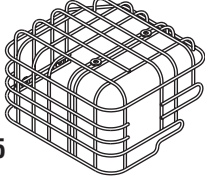
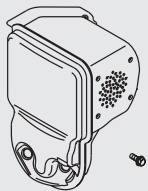
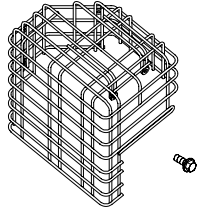

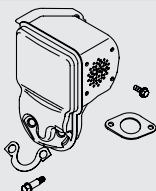
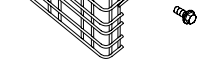
| Muffler | Guard | Deflector | Spark Arrester |
|--|--|--|--|
|  697252 |  695386 |  393761 |  392390 |

INTEK™ MODELS 201400, 202400, 203400, 204400, 205400, 206400 & 207400 (SINGLE CYLINDER) HORIZONTAL CRANKSHAFT; ALL BEFORE DATE CODE 020121

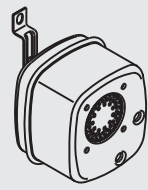

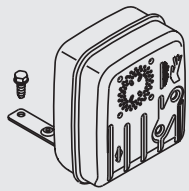

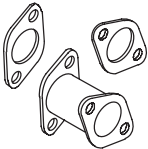
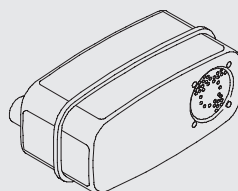
| Muffler | Guard | Deflector | Spark Arrester |
|--|--|--|--|
|  695311 |  695386 |  393761 |  392390 |

EXHAUST

MODELS 21A400 & 210400 HOIZONTAL CRANKSHAFT

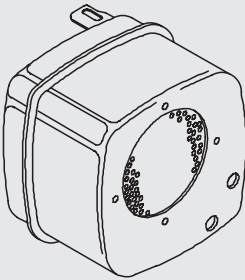
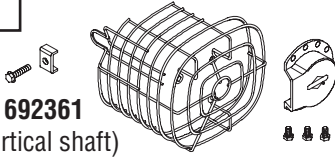


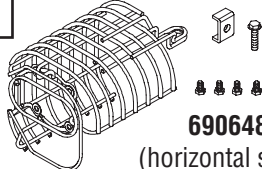
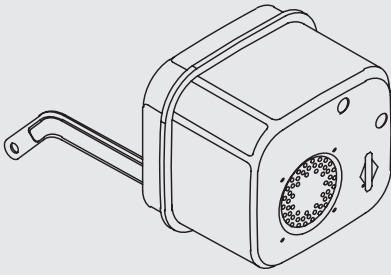
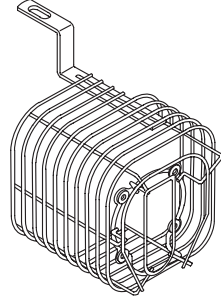

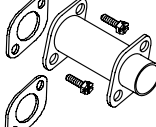
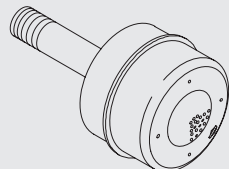
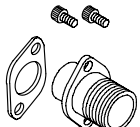
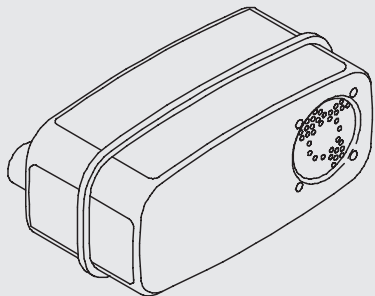
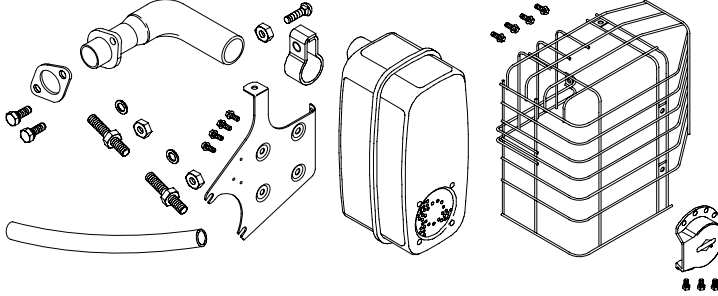
| Muffler | Guard | Deflector | Spark Arrester | Bucket |
|---|--|--|-----------------|-----------------|
| 696706  | 695386  | | | |
| 698160  | 698135  | | | |
| 697252  |  |  393761 | (not available) | (not available) |
| 695311  | 695386  | | | |

MODELS 21A800, 21A900, 21B900, 212700 AND 212900 VERTICAL CRANKSHAFT

| Muffler | Guard | Deflector | Spark Arrester | Bracket |
|--|-----------------|--|-----------------|--|
| 697048  | | | |  698941 |
| 697349  | (not available) |  393761 | (not available) |  697346 |
| 498984  | | | | (not available) |

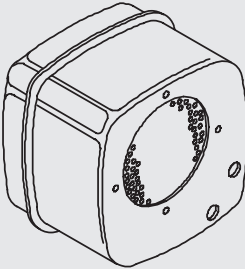
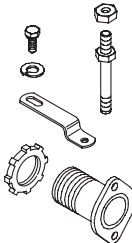
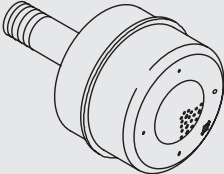

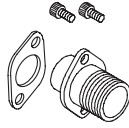
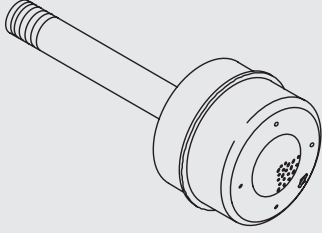
EXHAUST

MODELS 220000 & 250000 HORIZONTAL & VERTICAL CRANKSHAFT (1" OR 25 MM NPT)

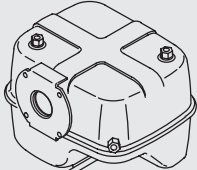
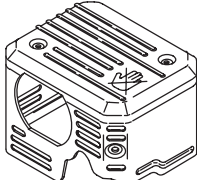

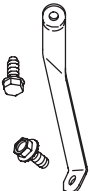
| Muffler | Guard | Deflector | Spark Arrester | Adapter |
|--|--|---|--|---|
|  <p>691874 Square Lo-Tone</p> | <p>TUV</p>  <p>692361 (vertical shaft)</p> |  <p>393761 (this deflector only with these guards)</p> |  <p>392390</p> | <p>(not required)</p> |
| | <p>TUV</p>  <p>690648 (horizontal shaft)</p> | | | |
|  <p>497470 Super Lo-Tone</p> | <p>TUV</p>  <p>691404</p> | <p>(see Page 5)</p> |  <p>497469</p> |  <p>497965</p> |
|  <p>391569S Standard (8" Length)</p> | <p>(not available)</p> | |  <p>392700</p> | |
|  <p>498984S Super Lo-Tone</p> | <p>TUV</p>  <p>494501 Super Lo-Tone Kit (horizontal shaft – includes special RAF reduced after fire muffler, guard and all mounting hardware – this 393761 deflector only with this guard)</p> | | | |

EXHAUST

MODELS 230000, 240000 & 320000 (CAST IRON) HORIZONTAL CRANKSHAFT (1" OR 25 MM NPT)

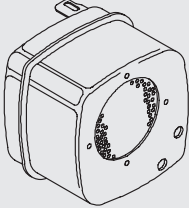
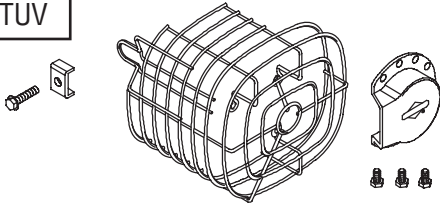


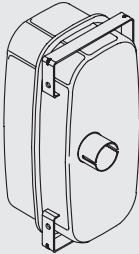

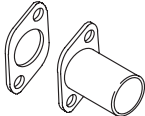
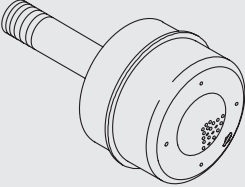
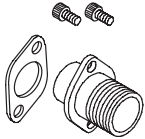
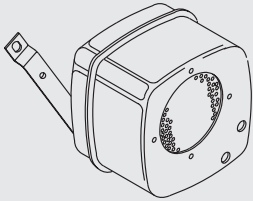

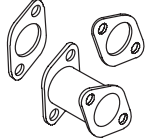

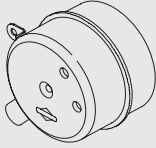
| Muffler | Guard | Deflector | Spark Arrester | Adapter |
|---|-----------------|--------------|--|---|
|  <p>399635 Square Lo-Tone (remote)</p> | | | |  <p>394584</p> |
|  <p>299477S Standard (7" Length)</p> | (not available) | (See Page 5) |  <p>392390</p> |  <p>392700</p> |
|  <p>393232S Standard (11" Length)</p> | | | | |

VANGUARD™ MODELS 235400 & 245400 HORIZONTAL CRANKSHAFT

| Muffler | Guard | Deflector | Spark Arrester | Bracket |
|--|--|-----------------|--|--|
|  <p>715894 Lo-Tone</p> |  <p>710586</p> | (not available) |  <p>392390</p> |  <p>715422</p> |




EXHAUST

MODEL 280000 L-HEAD VERTICAL CRANKSHAFT (1" OR 25 MM NPT)

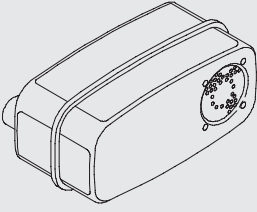


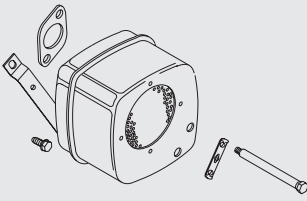
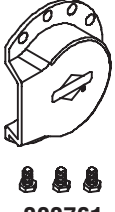


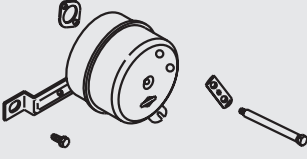

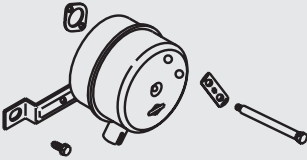

| Muffler | Guard | Deflector | Spark Arrester | Bracket | | |
|---|--|--|--|---|------------------------|------------------------|
|  <p>691874 Square Lo-Tone</p> | <p>TUV</p>  <p>692361 (includes deflector)</p> |  <p>393761 (this deflector only with this guard)</p> |  <p>392390</p> | <p>(not required)</p> | | |
|  <p>690850 Super Lo-Tone</p> | <p>(not available)</p> | <p>(See Page 5)</p> | <p>(not available)</p> |  <p>698941</p>  <p>496750</p> | | |
|  <p>391569S Standard (8" Length)</p> | | | |  <p>392700</p> | | |
|  <p>496022S Super Lo-Tone</p> | | | |  <p>698941</p>  <p>697346</p> | | |
|  <p>495805S</p> | | | | <p>(not available)</p> | <p>(not available)</p> | <p>(not available)</p> |
|  <p>495882 Super Lo-Tone</p> | | | | | | |

EXHAUST

MODELS 28AH00, 28CH00 & 31G700 OHV VERTICAL CRANKSHAFT

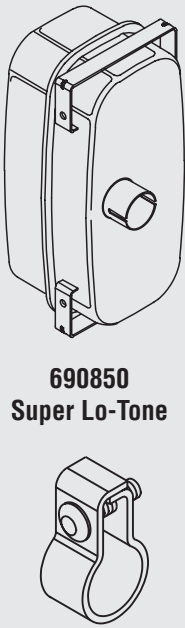

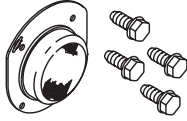
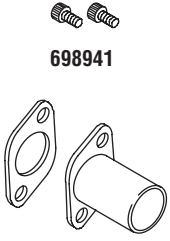
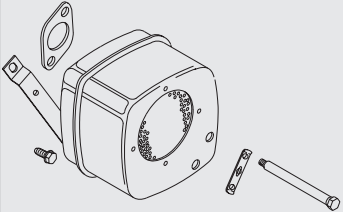

| Muffler | Guard | Muffler Bracket | Deflector | Spark Arrester | Adapter |
|--|-----------------|-----------------|---|-----------------|--|
|  <p>696706</p> | (not available) | (not available) |  <p>393761</p> | (not available) |  <p>697346</p> |

MODEL 28N700 OHV VERTICAL CRANKSHAFT

| Muffler | Guard | Muffler Bracket | Deflector | Spark Arrester | Adapter |
|---|-----------------|-----------------|---|--|--|
|  <p>498984S</p> | (not available) | (not available) |  <p>393761</p> |  <p>392390</p> | (not available) |
|  <p>496022S</p> | (not available) | (not available) |  <p>393761</p> |  <p>392390</p> |  <p>697346</p> |
|  <p>495882</p> | (not available) | (not available) | (not available) | (not available) |  <p>697346</p> |
|  <p>495805S</p> | (not available) | (not available) | (not available) | (not available) |  <p>697346</p> |

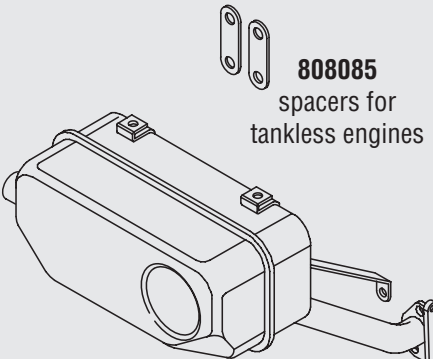
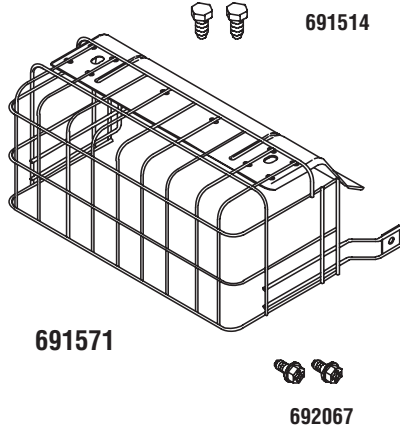
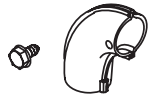

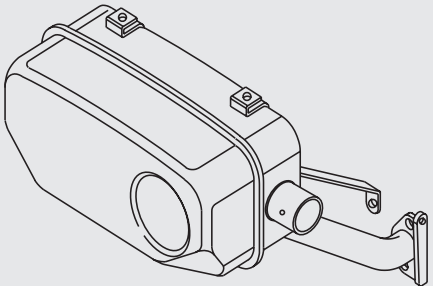

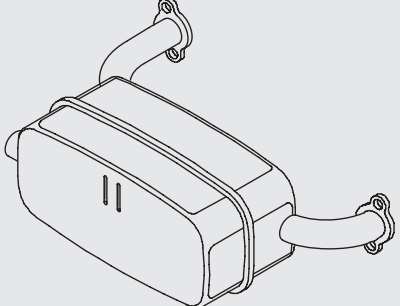

EXHAUST

MODELS 28P700, 28Q700, 311700 & 312700 OHV VERTICAL CRANKSHAFT (1" OR 25 MM NPT)

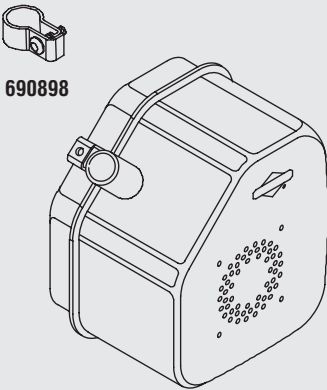

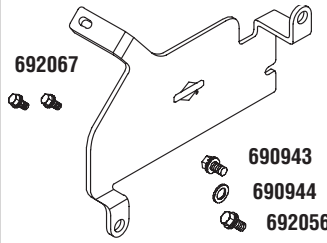

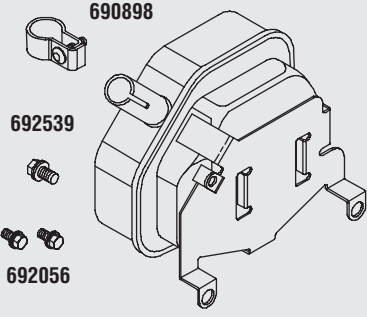

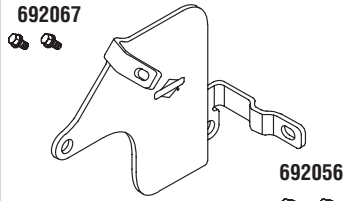
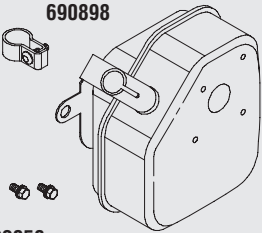

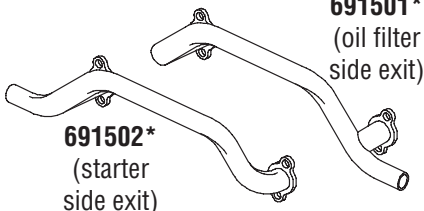
| Muffler | Guard | Muffler Bracket | Deflector | Spark Arrester | Adapter |
|---|------------------------|--|---------------------|--|---|
|  <p>690850 Super Lo-Tone</p> <p>690853</p> | <p>(not available)</p> |  <p>691204</p> <p>691676</p> <p>690297</p> <p>691678</p> <p>691205</p> | <p>(see Page 5)</p> |  <p>392390</p> |  <p>698941</p> <p>496750</p> |
|  <p>496022S</p> | <p>(not available)</p> | <p>(not available)</p> | <p>(see Page 5)</p> | <p>(not available)</p> |  <p>698941</p> <p>697346</p> |

EXHAUST

VANGUARD™ MODELS 290000, 300000 & 350000 HORIZONTAL CRANKSHAFT

| Muffler | Guard & Heat Shield | Deflector | Spark Arrester |
|---|---|--|--|
|  <p>808085 spacers for tankless engines</p> <p>690906 (cyl #1 side outlet, starter motor side)</p> | <p>TUV</p>  <p>691514</p> <p>691571</p> <p>692067</p> |  <p>495518</p> |  <p>808361</p> |
|  <p>691562 (cyl #2 side outlet, oil filter side)</p> | <p>(not available)</p> |  <p>808393</p> | <p>(not available)</p> |
|  <p>690931 (cyl #1 side outlet, starter motor side)</p> | <p>(not available)</p> |  <p>808393</p> | <p>(not available)</p> |

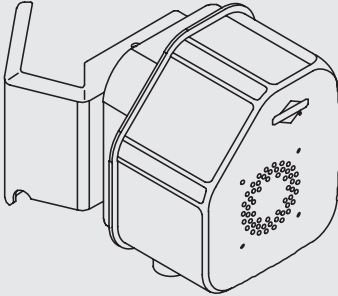
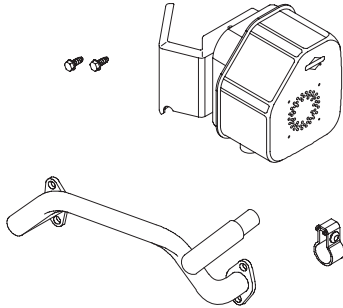

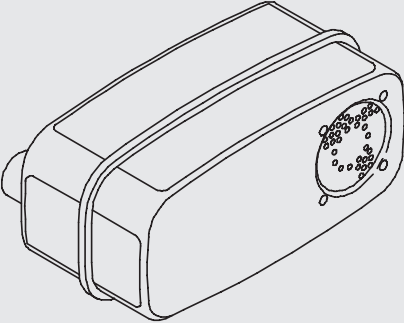
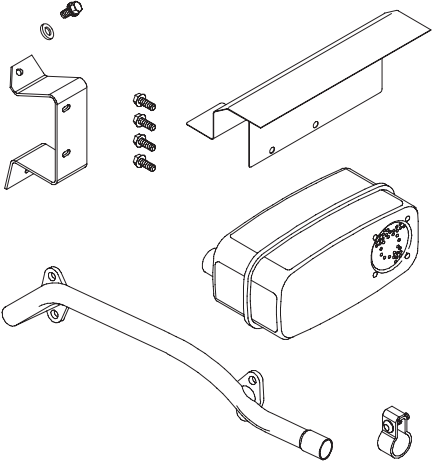
VANGUARD™ MODELS 290000, 300000 & 350000 HORIZONTAL CRANKSHAFT

| Muffler | Manifold | Muffler Bracket | Spark Arrester |
|--|--|---|---|
|  <p>692099</p> |  <p>691499* (starter motor side – cannot be installed on engine equipped with starter motor because of interference)</p> |  <p>690756</p> | <p>Deflector (see Page 5)</p>  <p>392390</p> |
|  <p>842801 (do not use on models 351400 or 351700)</p> |  <p>692061* (oil filter side – if oil filter interferes, install 808033 oil filter adapter kit)</p> |  <p>691513 (oil filter side)</p> | |
|  <p>807742 (do not use on models 351400 or 351700)</p> |  <p>691499* (starter motor side – cannot be installed on engine equipped with starter motor because of interference)</p> | <p>(integral to muffler)</p> | |
| <p>OEM supplied</p> |  <p>691501* (oil filter side exit)</p> <p>691502* (starter side exit)</p> | <p>(not available)</p> | |

*Note: Manifolds on this page require (2) 691613 gaskets and (4) 691902 mounting screws. No guards are available.

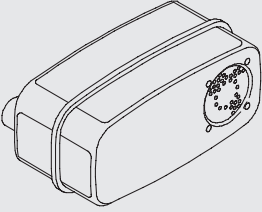
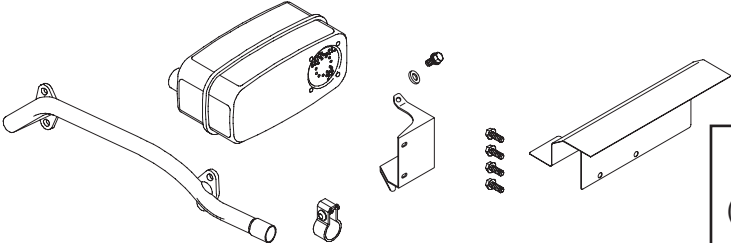
EXHAUST

VANGUARD™ MODELS 290000, 300000 & 350000 HORIZONTAL & VERTICAL CRANKSHAFT

| Muffler | Kits | Deflector | Spark Arrester |
|---|--|--------------|--|
|  <p>807953 Super Lo-Tone</p> |  <p>807969 Super Lo-Tone Kit (vertical shaft – oil filter side only)</p> | (See Page 5) |  <p>392390</p> |
|  <p>498984S Super Lo-Tone</p> |  <p>807752 Super Lo-Tone Kit (horizontal and vertical shaft – oil filter side only)</p> | | |

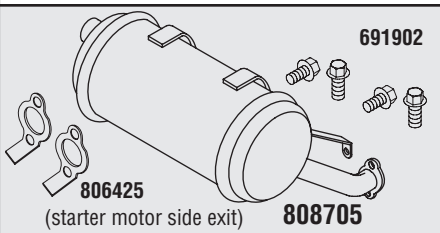
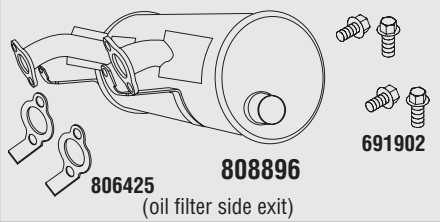
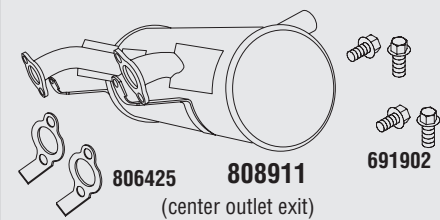
Note: Manifolds on this page require (2) 691613 gaskets and (4) 691902 mounting screws.

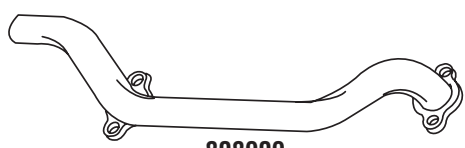
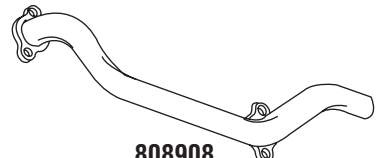
VANGUARD™ MODELS 380000 VERTICAL & HORIZONTAL CRANKSHAFT

| Muffler | Kits |
|---|---|
|  |  <p>808738 Super Lo-Tone Kit (horizontal and vertical shaft – oil filter side only)</p> |

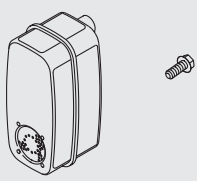
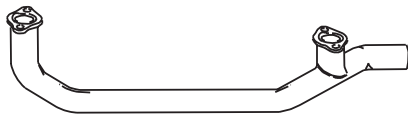
EXHAUST

VANGUARD™ MODELS 380400 & 381400 HORIZONTAL CRANKSHAFT

| Muffler | Guard | Deflector | Spark Arrester | Bracket |
|---|-----------------|-----------------|-----------------|-----------------------|
|  <p>806425 (starter motor side exit) 808705</p> <p>691902</p> | (not available) | (not available) | (not available) | (Integral to muffler) |
|  <p>806425 808896 (oil filter side exit)</p> <p>691902</p> | (not available) | (not available) | (not available) | (Integral to muffler) |
|  <p>806425 808911 (center outlet exit)</p> <p>691902</p> | (not available) | (not available) | (not available) | (Integral to muffler) |

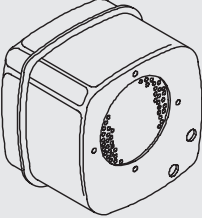
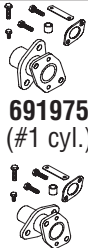
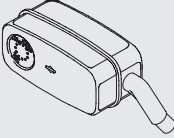
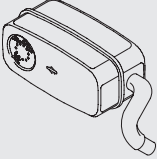
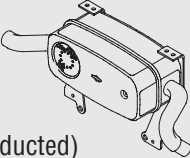

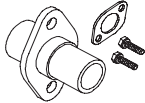
| Muffler | Manifold | Deflector | Spark Arrester | Bracket |
|--------------|--|-----------------|-----------------|-----------------|
| OEM supplied |  <p>808909 (starter motor side exit)</p> | (not available) | (not available) | (not available) |
| OEM supplied |  <p>808908 (oil filter side exit)</p> | (not available) | (not available) | (not available) |

VANGUARD™ MODELS 380700 & 381700 VERTICAL CRANKSHAFT

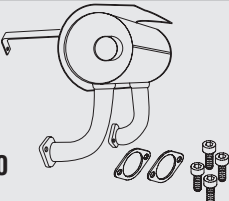
| Muffler | Manifold | Deflector | Spark Arrester | Bracket |
|--|---|-----------------|-----------------|-----------------|
|  <p>498984S</p> |  <p>808916</p> | (not available) | (not available) | (not available) |

EXHAUST

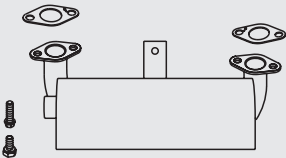
MODELS 400000 & 420000 VERTICAL & HORIZONTAL CRANKSHAFT (3/4" OR 19 MM NPT)

| Muffler | Guard | Deflector | Spark Arrester | Adapter |
|--|-----------------|--------------|--|---|
|  <p>399635 Square Lo-Tone (remote)</p> | | | |  <p>691975 (#1 cyl.)</p> <p>691365 (#2 cyl.)</p> |
| <p>491307S (horizontal shaft)</p>  <p>491319S (vertical shaft)</p>  <p>690838 (vertical shaft – ducted)</p>  <p>Super Lo-Tones</p> | (not available) | (see Page 5) |  <p>392390</p>  <p>691970 (2 required)</p> | |

INTEK™ MODELS 405700, 406700 & 407700 VERTICAL CRANKSHAFT

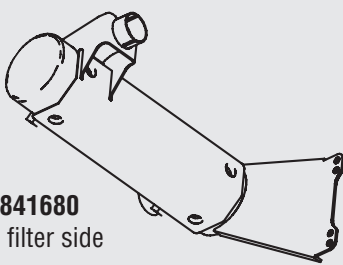
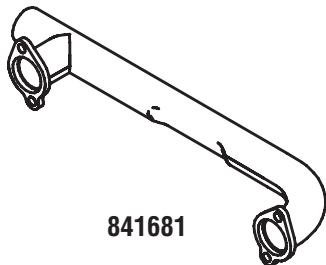
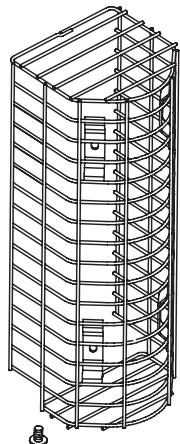
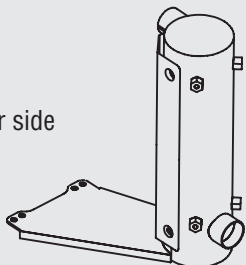
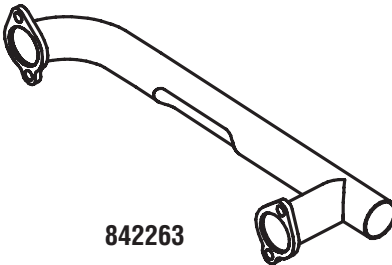
| Muffler | Guard | Deflector | Spark Arrester | Bracket |
|--|-----------------|-----------------|-----------------|-----------------------|
|  <p>692120</p> | (not available) | (not available) | (not available) | (Integral to muffler) |

INTEK™ MODELS 445700 & 446700 VERTICAL CRANKSHAFT

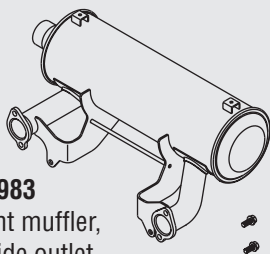

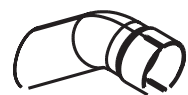
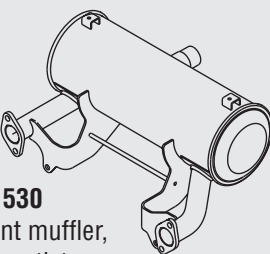
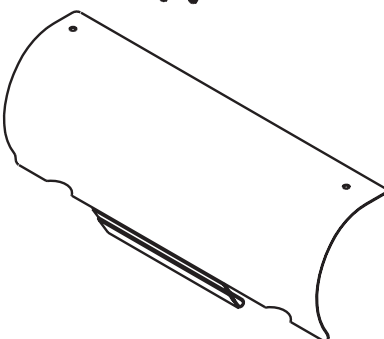
| Muffler | Guard | Deflector | Spark Arrester | Bracket |
|--|-----------------|-----------------|-----------------|-----------------|
|  <p>696226</p> | (not available) | (not available) | (not available) | (not available) |

EXHAUST

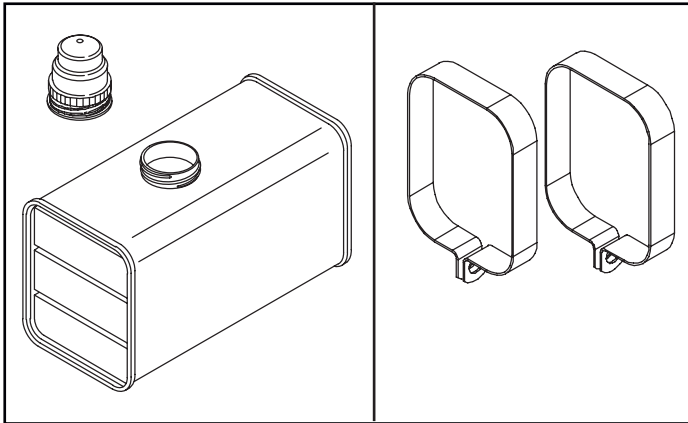
VANGUARD™ MODEL 540000 LOW MOUNT MUFFLER

| Muffler | Manifold | Guard |
|---|--|--|
|  <p>841680 oil filter side</p> |  <p>841681</p> |  <p>841682</p> |
|  <p>842262 starter motor side</p> |  <p>842263</p> | |

VANGUARD™ MODEL 543400

| Muffler | Manifold | Guard |
|---|---|---|
|  <p>809983 High mount muffler, oil filter side outlet</p> | <p>692067 Screws (2)</p>  |  <p>841518 4"</p> |
|  <p>841530 High mount muffler, center outlet</p> |  <p>841132</p> | |

FUEL

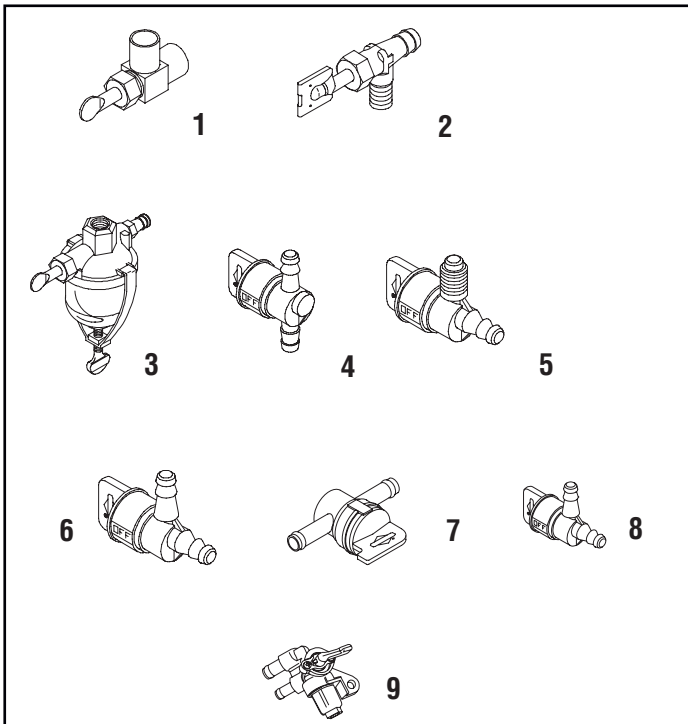


FUEL TANKS FOR REMOTE MOUNTING

| Fuel Tank Capacity | Fuel Tank and Cap | Mounting Straps (2 Required) |
|--|---------------------------------------|-------------------------------------|
| 4 qt. (3.8 L) | 290816 (metal) or 691993 (plastic) | 291367 |
| 6 qt. (5.7 L) (H 6.2", W 5.45", L 10.75") | 291488 (metal) | 691937 |
| 8 qt. (7.5 L) (H 6.2", W 5.45", L 14.37") | 292415 (metal) | 691937 |

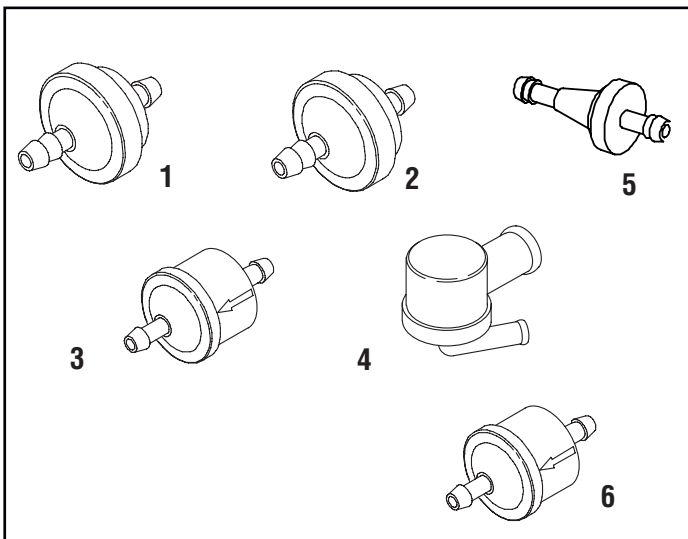
Note: See fuel shutoff valves/clamps and connectors below.

FUEL SHUT-OFF VALVES



| Ref. No. | Part No. | Description |
|-----------------|-----------------|--|
| 1 | 692302 | Fuel tank outlet/shut-off valve |
| 2 | 492649 | Fuel shut-off valve |
| 3 | 690612 | Fuel filter/shut-off valve assembly for metal tank |
| 4 | 698183 | In-line fuel shut-off valve |
| 5 | 698182 | MAX engine fuel shut-off valve |
| 6 | 698181 | Quantum® Power engine fuel shut-off valve |
| 7 | 692008 | Fuel shut-off valve for V-Twin engines with 9-quart fuel tanks |
| 8 | 698180 | Fuel shut-off valve used on select Intek™ models |
| 9 | 715027 | Fuel shut-off valve for 4, 5.5 & 9 HP Vanguard™ engines |

IN-LINE FUEL FILTERS



| Ref. No. | Part No. | Description |
|-----------------|-----------------|--|
| 1 | 298090S | 150 micron (red) – for gravity feed fuel systems |
| 2 | 394358S | 75 micron (white) – for engines with fuel pumps |
| 3 | 691035 | 40 micron – for engines with fuel pumps |
| 4 | 808116S | 40 micron – for V-Twin engines with 9-quart fuel tanks |
| 5 | 694485 | 75 micron – fuel filter for engines with fuel pumps |
| 6 | 695666 | 30 micron filter–premium fuel filter for selected engines with fuel pump |

FUEL

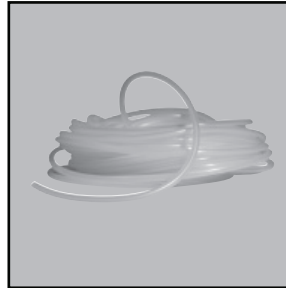


FUEL LINE

23" (1/2" OD x 1/4" ID) cut to fit

Part No.

296004



TYGON™ BULK FUEL LINE

Part No.

695540 Fuel line 3/32" ID, 50 ft.

695541 Fuel line 1/8" ID, 50 ft.

695542 Fuel line .080" ID, 50 ft.

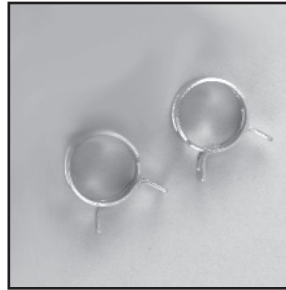


FUEL LINE DISPLAY PACK

Bulk 25' (1/2" OD x 1/4" ID) cut to fit 499742 Refill for display pack (25')

Part No.

395051



FUEL LINE CLAMPS

Part No.

691038 Black ID .460"

95162S Green ID .490"

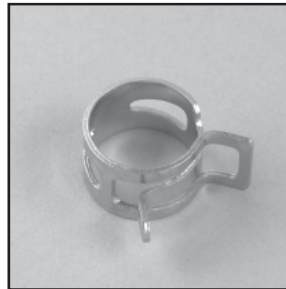


FUEL LINE

3.5 & 5 HP Industrial Plus™ (molded)

Part No.

495218



FUEL LINE CLAMP

Use with 715125 Vanguard™ fuel line

ID 13.2 MM

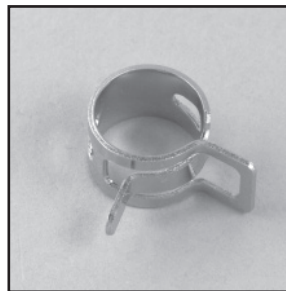
Part No.

710067



FUEL LINE

| <u>Part No.</u> | <u>Description</u> |
|------------------------|--|
| 715125 | 4, 6, 7.5 & 9 HP Vanguard™ (tank to shut-off valve) 8mm OD x 470 mm (18-1/2") cut to fit |
| 691050 | 6 & 7.5 HP Vanguard™ (carburetor to filter) |



FUEL LINE CLAMP

Used with 715126 Vanguard™ fuel line

ID 10.5 MM

Part No.

710075



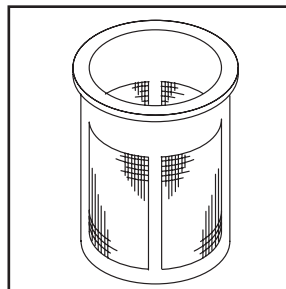
FUEL LINE

4, 6, 7.5 HP Vanguard™ (shut-off valve to carburetor) 4 mm OD x 220 mm (8-5/8") cut to fit

Part No.

715126

715730 - 9 HP Vanguard™



FUEL STRAINERS

Fuel strainers for the following horizontal crankshaft engines:

Part No.

710065

691370

Models

85400, 115400 & 18540

190000, 235400, 245400 & V-Twin engines with 9-quart fuel tanks

FUEL



FUEL STABILIZER

Merchandise display
36 – 1 oz. pouches/box (one pouch treats 2-1/2 gal.) Keeps fuel fresh for up to 24 months. Promotes quick starts.

Order 4127 box of 50 as refill.

Part No.
100031



FUEL STABILIZER PLUS

4.2 oz. – Treats 10 gallons of gasoline.

Part No.
100002



FUEL STABILIZER PLUS

Fuel Stabilizer Plus counter display – 6 bottles.

Part No.
100002A



FUEL STABILIZER PLUS

32 oz. for shop use – treats 96 gallons of gasoline.

Part No.
100006



FRESH START™ CAP – QUANTUM® ENGINES

1 cap and 2 cartridges.

Case Pack 8

Part No.
5096D
699798 - Cap only



FRESH START™ REPLACEMENT CARTRIDGES

2 Replacement cartridges. Use with 5096D Fresh Start™ Cap.

| Part No. | Description |
|-----------------|-----------------------------|
| 5097D | Blister Pack |
| 699998 | Case Pack 8 |
| | 2 cartridges not in blister |
| 4222 | case of 10 |
| | 699998 |



1-1/4 GALLON FUEL CAN

Made of durable plastic. Holds up to 1-1/4 gallons of fuel. Spill-resistant nozzle shuts off automatically when tank is full.

Part No.
WCA-125
WCA-125P**



2-COMPARTMENT 1-1/2 GALLON GAS & 2-1/2 QUART OIL, FUEL CAN

Two cans in one, keep oil on one side, gas on the other side. Made of durable plastic.

Part No.
WCA-150P*



2-1/2 GALLON FUEL CAN

Made of durable plastic. Holds up to 2-1/2 gallons of fuel. Spill-resistant nozzle shuts off automatically when tank is full.

Part No.
WCA-225
WCA-225P**



JERRY CAN W/SPOUT – 5 GALLON

5 gallon steel fuel can. Leak proof closure, internally treated lining to prevent rust formation.

Part No.
WM521*

FUEL



5 GALLON FUEL CAN

Made of durable plastic. Holds up to 5 gallons of fuel. Spill-resistant nozzle shuts off automatically when tank is full.

Part No.

WCA-525
WCA-525P**



6 GALLON FUEL CAN

Made of durable plastic. Holds up to 6 gallons of fuel.

Part No.

W611*



5 GALLON DIESEL FUEL CAN

Made of durable plastic. Holds up to 5 gallons of fuel.

Part No.

WCA-526P**



5 GALLON KEROSENE CAN

Made of durable plastic. Holds up to 5 gallons of kerosene.

Part No.

W1002*

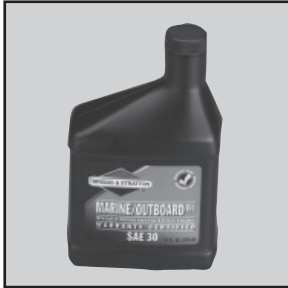
FUEL CONTAINER SUMMARY

| Model Number | UPC | Meets CARB | Capacity | Color | Case Dimensions Length x Width x Height | Weight (lbs.) Pack size | Cube (Cu. ft.) |
|--------------|-------|------------|-----------------|--------|--|----------------------------|-------------------|
| WCA-125 | 82012 | No | 1-1/4 U.S. gal. | Red | 17 X 10-3/4 X 25 inches | 9.90 8/case | 2.64 |
| WCA-125P | 82013 | Yes | 1-1/4 U.S. gal. | Red | 17 X 10-3/4 X 25 inches | 9.90 8/case | 2.64 |
| WCA-225 | 82022 | No | 2-1/2 U.S. gal. | Red | 21 X 12-1/2 X 2-21/2 inches | 7.9 6/case | 3.42 |
| WCA-225P | 82023 | Yes | 2-1/2 U.S. gal. | Red | 21 X 12-1/2 X 22-1/2 inches | 7.9 6/case | 3.42 |
| WCA-525 | 82052 | No | 5 U.S. gal. | Red | 19-3/4 X 15 X 28-3/4 inches | 11.4 4/case | 4.93 |
| WCA-525P | 82053 | Yes | 5 U.S. gal. | Red | 19-3/4 X 15 X 28-3/4 inches | 11.4 4/case | 4.93 |
| WCA-526P | 82056 | Yes | 5 U.S. gal. | Yellow | 19-3/4 X 15 X 28-3/4 inches | 11.4 4/case | 4.93 |

*Ordering information: Contact your Briggs & Stratton Central Sales and Service Distributor.

**The P suffix indicates that these containers have received a special surface treatment to significantly reduce pollution associated with gasoline loss by permeation. This technology combined with the auto-shut-off spout allows this line of container to meet the California Air Resource Board (CARB) regulations for Spill Proof Systems. (Title 13, California Code of Regulations, Chapter 9 Off-Road Vehicles and Engine Pollution Control Devices, Section 2467.2a)

LUBRICATION



MARINE OUTBOARD OIL

The 24 oz. bottle of oil meets Briggs & Stratton's strict lubrication requirements for a SAE 30 weight oil and is the exact amount needed to service the Briggs & Stratton 5 hp outboard motor.

Part No.

100084

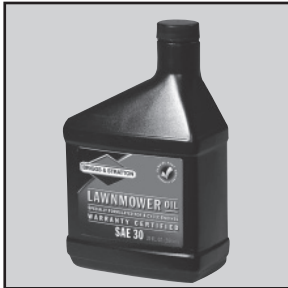


SNOW BLOWER OIL

32 oz. – High quality SAE 5W-30 detergent oil – Specially formulated for winter use of air-cooled engines.

Part No.

100030C

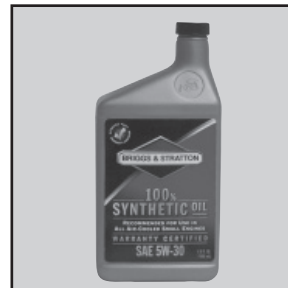


MOTOR OIL 4 CYCLE

18 oz. – High quality SAE 30, SJ, SH, CF, detergent oil – Specially formulated for higher operating temperatures of air-cooled engines.

Part No.

100005



SYNTHETIC OIL

32 oz. – High quality 100% synthetic motor oil. SAE 5W-30

Part No.

100074



MOTOR OIL 4 CYCLE

48 oz. – High quality SAE 30, SJ, SH, CF, detergent oil – Specially formulated for higher operating temperatures of air-cooled engines.

Part No.

100028



GEAR LUBE

For 5 hp outboard engines

Part No.

100090



HIGH ENDURANCE PUMP OIL

15 fl. oz. (444 ml) Premium full synthetic oil for maximum pump life and protection.

Part No.

6033



MICRO OIL

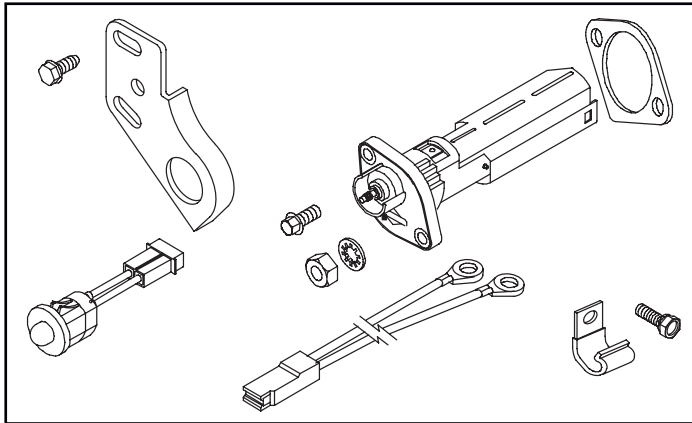
4 cycle, 3 oz.

Used on Briggs & Stratton Force™ engines

Part No.

100091

LUBRICATION

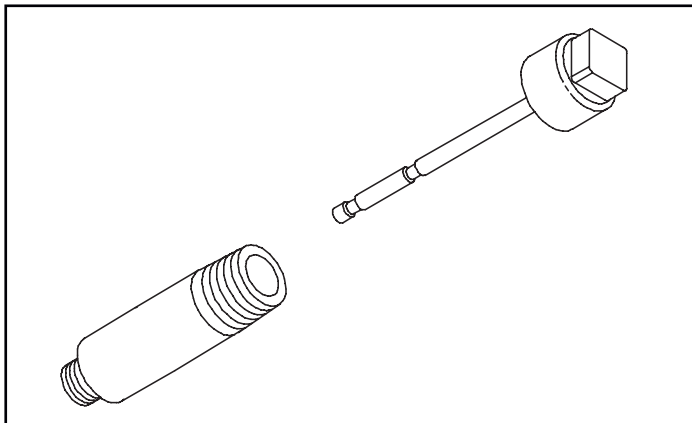


OIL GARD® KITS

Oil Gard® automatically stops the engine if the oil level is too low. It can be added to I/C® and Vanguard™ engines equipped to receive it.

| Kit No. | Models (horizontal crankshaft) |
|----------------|---|
| 398182 | For 5 HP thru 11 HP equipped to receive Oil Gard® |
| 492697 | For 9 HP Vanguard™ |
| 496605 | For 5 HP Industrial Plus™ Model |

Note: Magnetic oil drain plug recommended with Oil Gard®



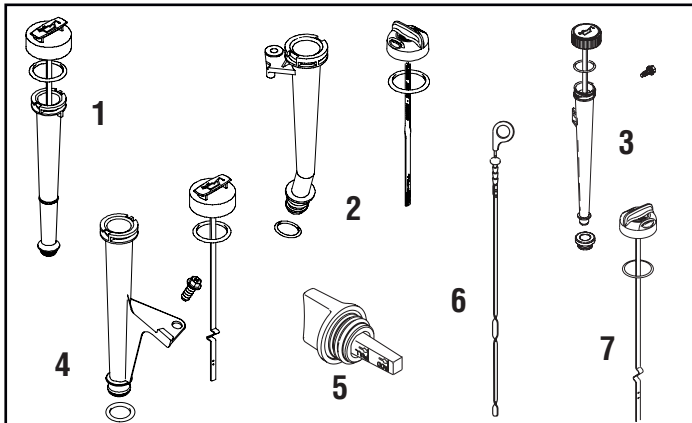
EXTENDED OIL FILL KIT

An extended oil fill pipe (2-5/8" long) and dipstick for most 2 HP thru 8 HP horizontal crankshaft models provides added convenience in filling oil and checking oil level.

| Kit No. | Description |
|----------------|----------------------------|
| 493955 | Oil fill pipe and dipstick |

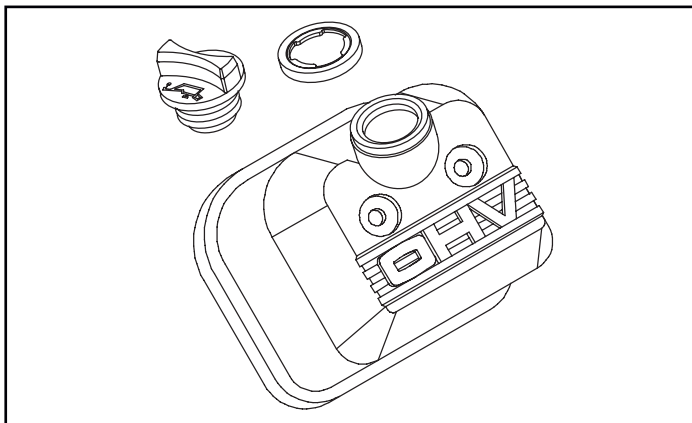
To order parts separately:

| Part No. | Description |
|-----------------|--------------------|
| 691257 | Oil fill pipe |
| 691942 | Dipstick |



DIPSTICKS

| Ref. No. | Part No. | Models |
|-----------------|-----------------|---|
| 1 | 693617 | 110400, 121400, 123400 |
| 2 | 692047 | 110600, 111600, 120600, 121600, 122600, 126600 |
| 3 | 496415 | 310700, 311700 |
| 4 | 499602 | 405600, 406700, 445700 |
| 5 | 697689 | 120400, 204400, 205400 |
| 6 | 693175 | 303400, 350400, 381400 (after 98053100) |
| 7 | 699908 | 310000 |

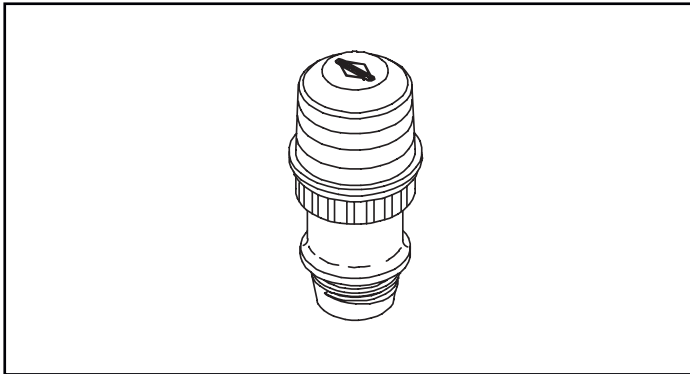


VALVE COVER OIL FILL

Valve cover oil fills are available for Vanguard™ V-Twin Models 30, 35, and 38 horizontal crankshaft engines.

| Part No. | Description |
|-----------------|--|
| 690758 | Valve cover oil fill, if engine is not equipped with fuel pump |
| 690910 | Valve cover oil fill, if engine is equipped with fuel pump |
| 491832 | Fill cap (before assembly, cut dipstick from cap, if equipped) |

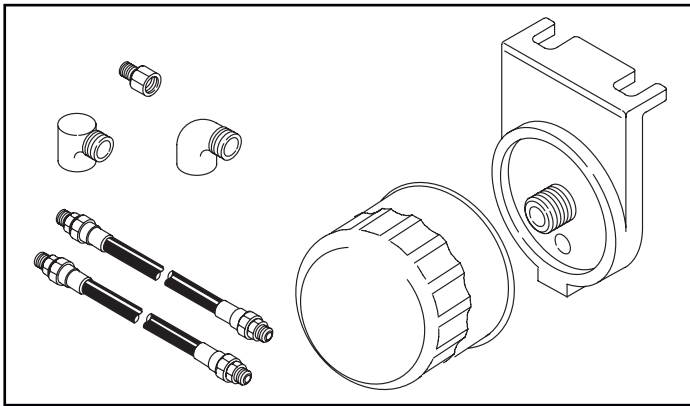
LUBRICATION



OIL MINDERS

Gives visual indication of "safe" oil level with a touch of a finger.

| Part No. | Model |
|-----------------|---|
| 692939 | Most 3 HP thru 12 HP vertical crankshaft engines |
| 298858 | Most 2 HP thru 8 HP horizontal crankshaft engines |
| 298860 | Most 9 HP thru 16 HP cast iron cylinder horizontal crankshaft engines |



REMOTE MOUNTING OIL FILTER KITS

For Vanguard™ V-Twin engines and Opposed Twin II™ engines equipped with full pressure lubrication.

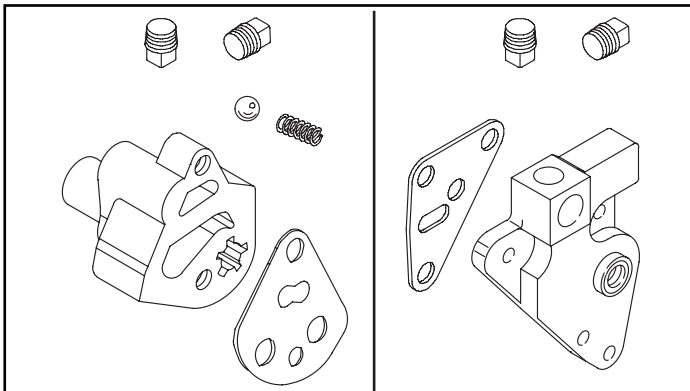
Note: Opposed Twin II™ requires adapter kit 492675.

Vanguard™ requires adapter kit 492687.

| Part No. | Length of Hoses |
|-----------------|------------------------|
| 492061 | 18" (48 cm) |
| 492062 | 30" (76 cm) |

To order parts separately:

| Part No. | Description |
|-----------------|------------------------------|
| 494724 | (2) 18" hoses |
| 494725 | (2) 30" hoses |
| 495244 | Oil filter kit without hoses |



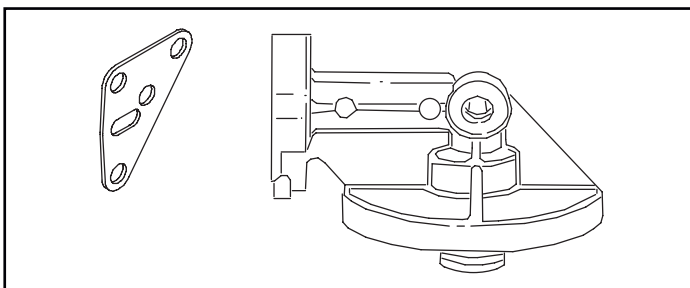
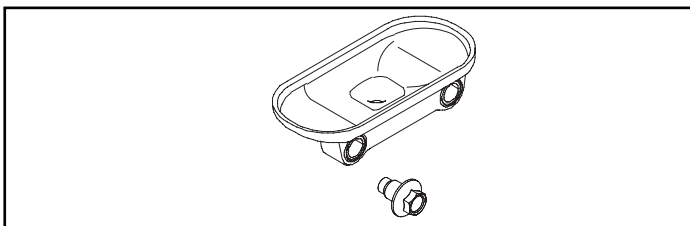
Oil filter adapter kits:

| Part No. | Models |
|-----------------|--|
| 492675 | Opposed Twin II™ engines (includes spacer) |
| 492687 | Vanguard™ V-Twin engines |

Note: Adapter has provision to receive oil pressure switches.

OIL DRIP TRAY

| Part No. | Models |
|-----------------|---------------------|
| 809334 | 540000 and 61000 |
| 807435 | Bolts for drip tray |



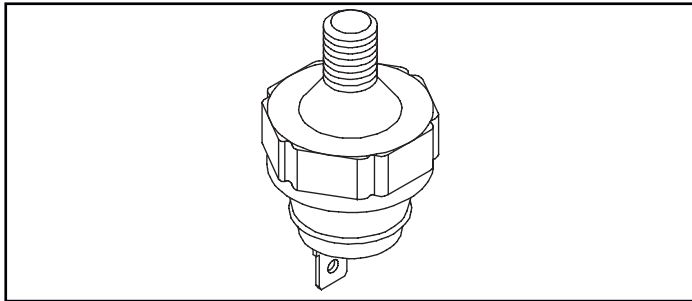
OIL FILTER ADAPTER

Oil filter adapter kit re-locates oil filter on Vanguard™ V-Twin horizontal crankshaft engines when muffler is mounted on oil filter side of engine (see page 24). Use mounting hardware from original adapter.

| Part No. |
|-----------------|
| 808033 |

Note: Adapter has provision to receive oil pressure switches.

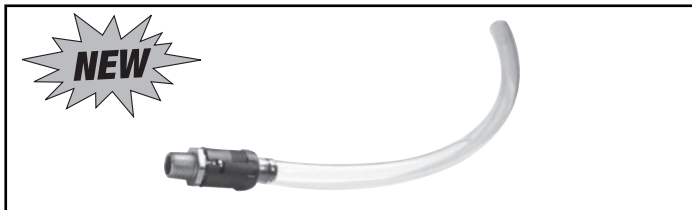
LUBRICATION



OIL PRESSURE SWITCH

Oil pressure switches activate a warning light if oil pressure drops to an unsafe level. Available for V-Twin engines and Opposed Twin II™ cylinder engines equipped with full pressure lubrication and oil filter.

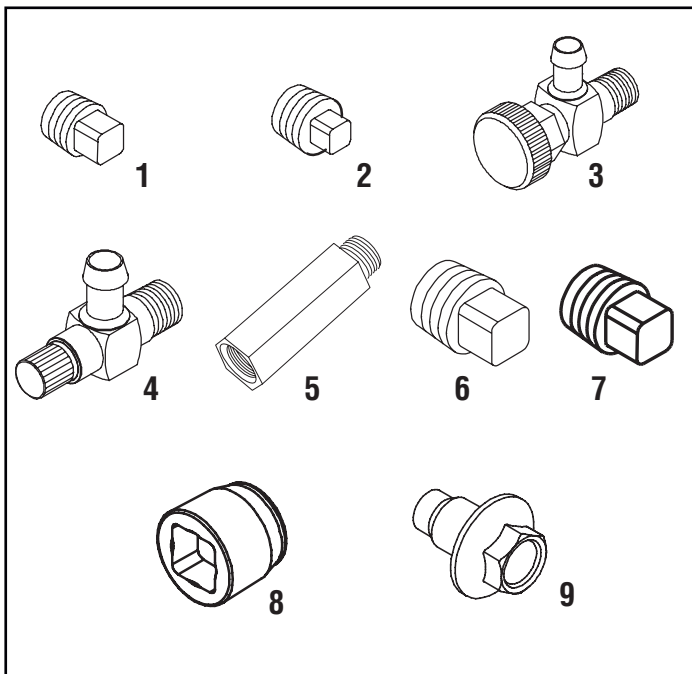
| <u>Part No.</u> | <u>PSI</u> |
|-----------------|------------|
| 491657S | 3-5 PSI |
| 694115 | 9-13 PSI |
| 690233 | 2 PSI |



OIL DRAIN VALVE AND HOSE

Used on Vanguard™ V-Twin engines

| <u>Part No.</u> | <u>Description</u> |
|-----------------|--------------------|
| 186071GS | 1/4 turn oil drain |
| 186430GS | Hose |

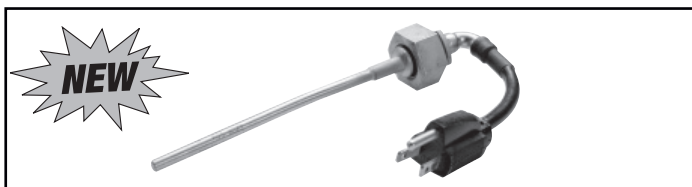


OIL DRAIN PLUGS & FITTINGS

A magnetic oil drain plug is recommended with Oil Gard®. 1/2 turn oil drain fitting makes oil changes easier.

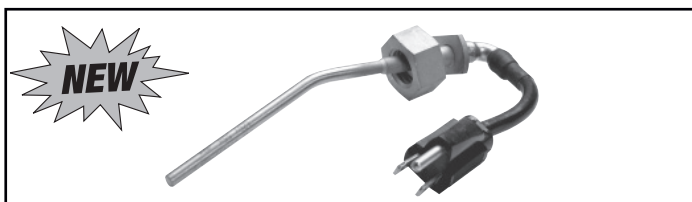
| <u>Ref. No.</u> | <u>Part No.</u> | <u>Models (horizontal crankshaft)</u> |
|-----------------|-----------------|--|
| 1 | 691663 | 5 HP |
| 2 | 690289 | 7 HP thru 11 HP |
| 3 | 492030 | 5 HP and under (1/4" I.D. Dia.) |
| 4 | 492031 | Above 5 HP (1/2" I.D. Dia.) |
| 5 | 715715 | Vanguard™ single cylinder oil drain extension |
| 6 | 690946 | Vanguard™ Twin |
| 7 | 691686 | Model 12 horizontal |
| 8 | 691680 | Intek™ V-Twin 1/2" recessed square |
| 9 | 807392 | 2-cylinder liquid-cooled Vanguard™ 540000 & 610000 |

SNOW BLOWER EQUIPMENT



BLOCK HEATERS

| <u>Part No.</u> | <u>Models</u> |
|-----------------|-------------------------------|
| 699312 | 12 (after date code 020417XX) |



| <u>Part No.</u> | <u>Models</u> |
|-----------------|---------------|
| 699358 | 20/21 |

GREASE & HAND CLEANER



GREASE GUN KIT

Simple One Handed Operation
Kit includes steel grease gun,
application tube and one 3 oz.
grease cartridge.

Part No.
100057



HAND CLEANER

15.2 fl. oz. – Powerful cleansing
agent with special conditioners and
emollients to moisturize hands as
it cleans.

Part No.
100073



GREASE GUN REFILL KIT

Grease Refill Cartridges for Grease
Gun Kit 100057

Part No.
100058



HAND CLEANER

128 fl. oz. – Powerful cleansing
agent with special conditioners and
emollients to moisturize hands as
it cleans.

Part No.
100045



MOLY/GRAPHITE GREASE

14 oz. Cartridge – Provides
maximum anti-wear protection.
Ideal for industrial, automotive, and
outdoor power equipment.

Part No.
100059



HIGH TEMPERATURE THREAD COMPOUND AND ANTI-SEIZE LUBRICANT

- Valve lubricant
- Eases nut and bolt assembly –
eliminates all galling, seizing and
binding on any threaded fitting
including stainless steel. Insures
fast assembly.
- Improves later disassembly –
even on manifold and exhaust bolts.
- Insures correct torque readings –
lubricates threads to eliminate
binding, seizing and drygall caused
errors. Insures true torque wrench
readings and proper seating of the
bolt.

Part No.
93963

LUBRICANTS & CLEANERS



HEAVY DUTY SILICONE

7.5 oz. Can – Lubricates, protects, waterproofs, and restores a wide range of parts and equipment.

Part No.

100069



CARBURETOR/CHOKE CLEANER

8 oz. Can - Quickly dissolves carburetor deposits, reduces downtime and improves starting.

Part No.

100041



4-USE™ LUBRICANT

11 oz. Can – Frees rusted parts, displaces moisture, seals out rust, and stops corrosion. Protects tools, equipment, and all metals.

Part No.

100043



CARBURETOR/CHOKE CLEANER

16 oz. Can

Part No.

100042



PENETRATING OIL PLUS

11 oz. Can

Part No.

100070



HEAVY-DUTY DEGREASER

15 oz. Can – Powerful, industrially formulated cleaner. Quick removal of oil, hydraulic fluids and related contaminants.

Part No.

100044



BATTERY TERMINAL PROTECTOR

7.5 oz. Can – Prolongs battery life and assures faster, dependable starting.

Part No.

100068



FOGGING OIL

10 oz. Can – Special formulation for maximum internal rust protection for all 2 & 4 cycle engines.

Part No.

100062

STARTERS

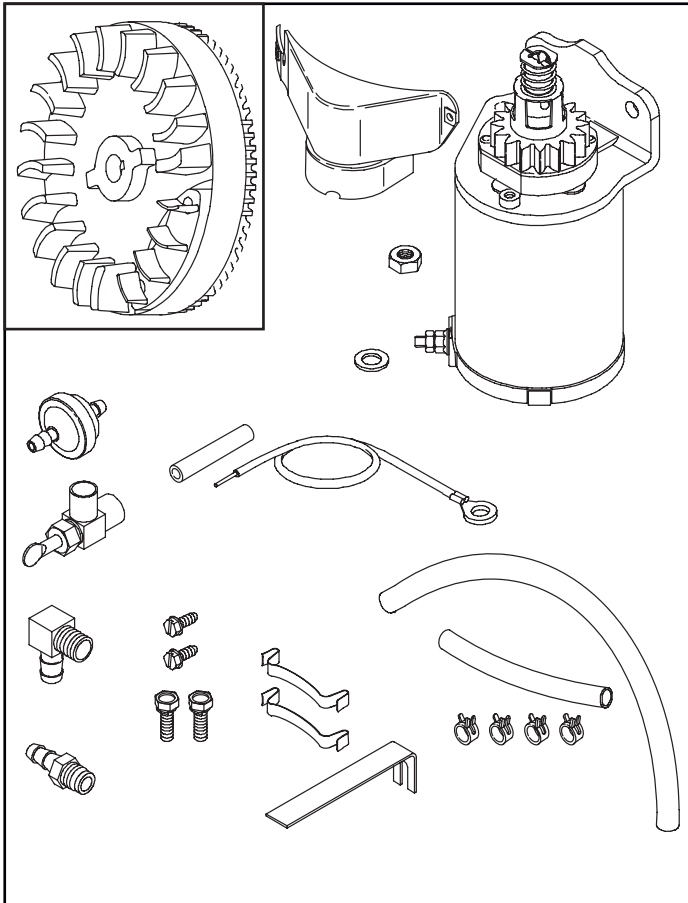
12 VOLT ELECTRIC STARTER KITS**

12 volt electric starters are intended for use above -20° F. For engines with a STEEL ring gear on flywheel, use 394952 (illustrated) which includes a new flywheel (inset) and ALUMINUM ring gear, less charging magnets.

| <u>Part No.</u> | <u>Description</u> |
|-----------------|--|
| 394951 | For use on engines with an ALUMINUM ring gear already mounted on flywheel (only on engines with type nos. 0500 and up in model series 146400, 147400, 146700* and 147700* – and all type nos. in model series 170400, 170700, 171700* and 190000). |
| 394953 | For use on engines with an ALUMINUM ring gear already mounted on flywheel. |

Note: Kit No. 394953 may be used on engines for all type nos. in model series 170400, 170700*, 171700*, 190000, 220000 and 250000.

*Kits cannot be used on vertical shaft models with 2 quart fuel tank welded to blower housing.



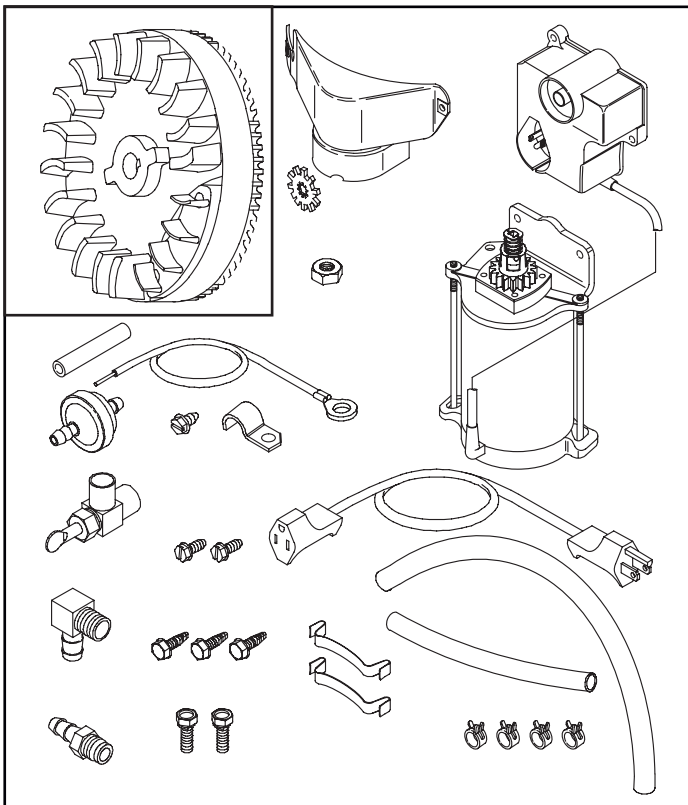
120 VOLT ELECTRIC STARTER KITS**

120 volt electric starters are intended for use above -20° F. For engines with a STEEL ring gear on flywheel, use 396507 (illustrated) which includes a new flywheel (inset) and ALUMINUM ring gear assembly.

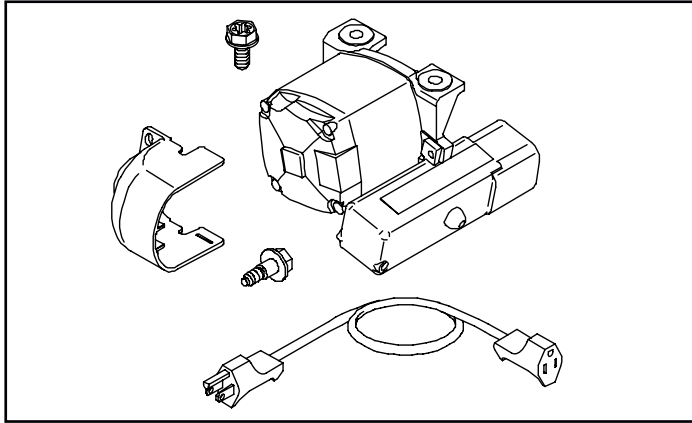
| <u>Part No.</u> | <u>Description</u> |
|-----------------|---|
| 390922 | Used only on model series 130200 which are already equipped to receive an electric starter. |
| 396506 | For use on engines with an ALUMINUM ring gear already mounted on flywheel (only on engines with type nos. 0500 and up in model series 146400, 147400, 146700* and 147700*, – and all type nos. in model series 170400, 170700*, 190000, 220000 and 250000). |
| 396507 | For use on engine model series shown above except model series 220000 and 250000 includes flywheel and ALUMINUM ring gear assembly. |

* Kits cannot be used on vertical shaft models with 2 quart fuel tank welded to blower housing.

** **STARTER KITS DO NOT INCLUDE ANY SWITCHES OR CHARGING COMPONENTS.**



STARTERS

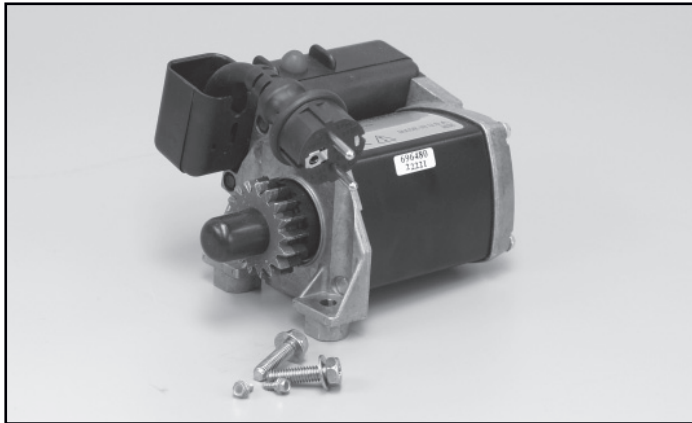


120 VOLT ELECTRIC STARTER KITS

120 volt electric starters are intended for use above -20° F. For Intek™ snow engines equipped to accept an electric starter with a ring gear already mounted on flywheel in model series 12B400, 12C300, 12C400, 12D300, 12D400.

| <u>Part No.</u> | <u>Description</u> |
|-----------------|--------------------|
| 695660 | Motor-Starter |

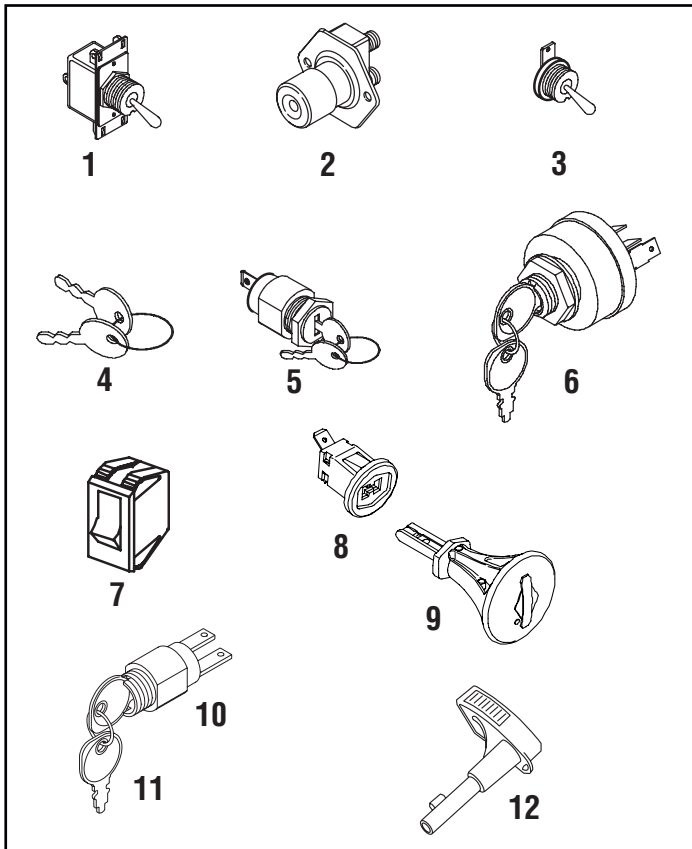
*Kit cannot be used on vertical shaft models.



230 VOLT ELECTRIC STARTER KITS

| <u>Part No.</u> | <u>Description</u> |
|-----------------|------------------------|
| 698608 | Motor-Starter Model 20 |
| 699786 | Motor-Starter Model 12 |

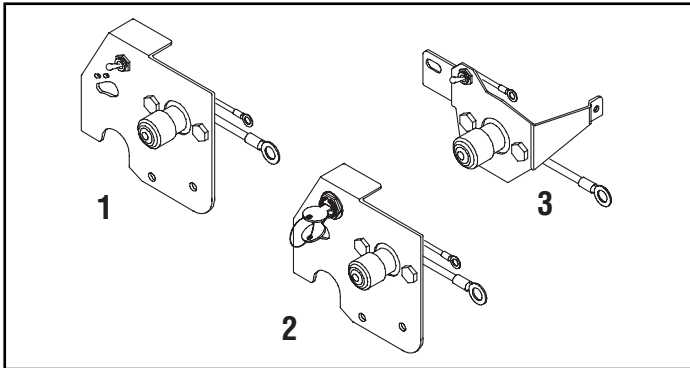
EUROPE ONLY - NOT FOR NORTH AMERICA



IGNITION SWITCHES

| <u>Ref. No.</u> | <u>Part No.</u> | <u>Description</u> |
|-----------------|-----------------|---|
| 1 | 298590 | Toggle switch |
| 2 | 692303 | Pushbutton starter switch |
| 3 | 496590 | Toggle switch |
| 4 | 691959 | Indak ignition keys (set of 2) |
| 5 | 392833 | Key switch for key 691959 |
| 6 | 692318 | Key switch assembly – used on engines equipped with carburetor solenoid |
| 7 | 697854 | Rocker switch (with light) Note: Rocker switch without light is 698338 |
| 8 | 695747 | Key switch used on selected snow engines |
| 9 | 695756 | Key used on selected snow engines |
| 10 | 690646 | Key switch |
| 11 | 691959 | Key set for key switch 690646 |
| 12 | 695951 | Touch-N-Mow® Key |

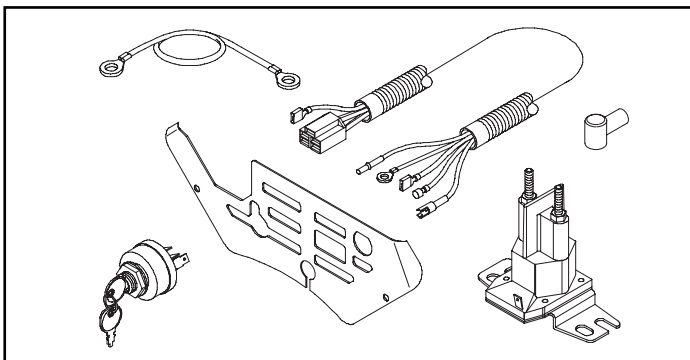
STARTERS



STARTER PANELS

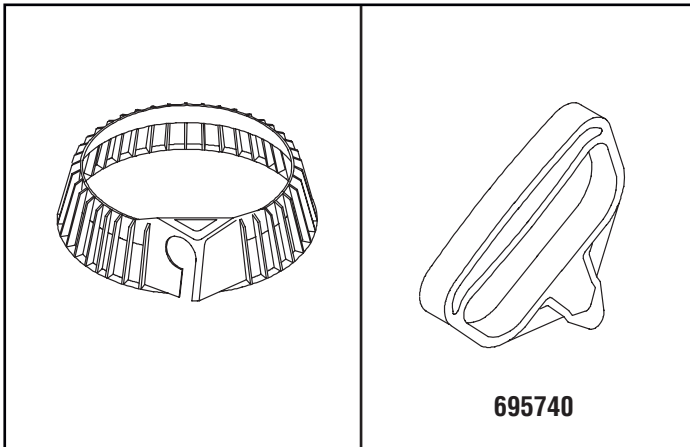
Starter switch panels for 7 HP thru 16 HP models equipped with 12 volt starter systems.

| <u>Ref. No.</u> | <u>Part No.</u> | <u>Description</u> |
|-----------------|-----------------|---|
| 1 | 395408 | Pushbutton start, toggle switch "ON/STOP" |
| 2 | 395409 | Pushbutton start, key switch "ON/STOP" |
| 3 | 394583 | Pushbutton start, toggle switch "ON/STOP" |



Starter panel for Vanguard™ V-Twin horizontal crankshaft models. Includes panel, ignition switch and key, wiring harness, solenoid and mounting hardware.

Part No.
692096



REWIND STARTER GUARDS & HANDLE

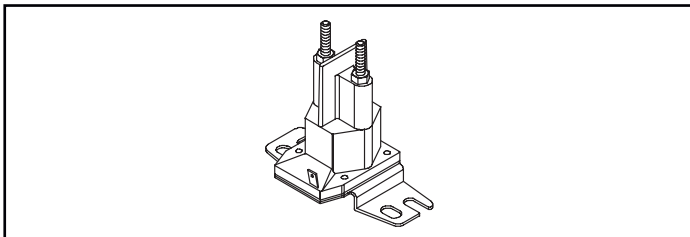
Rewind starter guards provide an added measure of operator safety (guard "snaps" into place).

Starter Guard

| <u>Part No.</u> | <u>Models</u> |
|-----------------|--------------------|
| 690601 | 60000 thru 110000 |
| 280680 | 130000 |
| 691904 | 170000 thru 280000 |

Handle

| <u>Part No.</u> | <u>Models</u> |
|-----------------|---|
| 695740 | "Mitt" type rope grip fits most models including 12A400, 12B400, 12C300, 12C400, 12D300 & 12D400. |



STARTER SOLENOID

| <u>Part No.</u> | <u>Models</u> |
|-----------------|----------------|
| 691656 | Electric Start |

Also included in starter panel, part no. 692096.

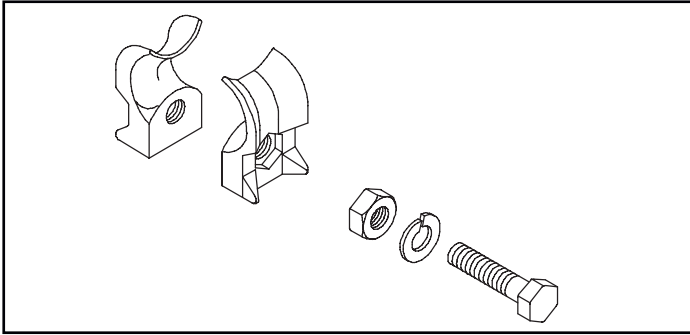


PREMIUM NYLON STARTER ROPE

Tough, durable Nylon Starter Rope. This black rope with red tracers is stiffer than the factory original rope. This makes it great for starter repairs because it's easier to feed through eyelets and pulleys. Now available in 200 ft. and 500 ft (61m - 152m) rolls.

| <u>Part No.</u> | <u>Description</u> |
|-----------------|--------------------|
| 790965 | 200 ft. (61m) |
| 790969 | 500 ft. (152m) |

STARTERS

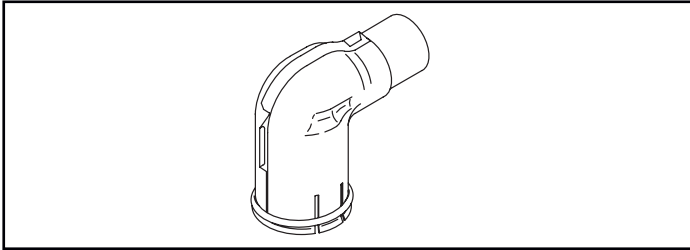


ROPE GUIDE

Rope guide for extended rope on rotary lawn mowers.

Part No.

396526

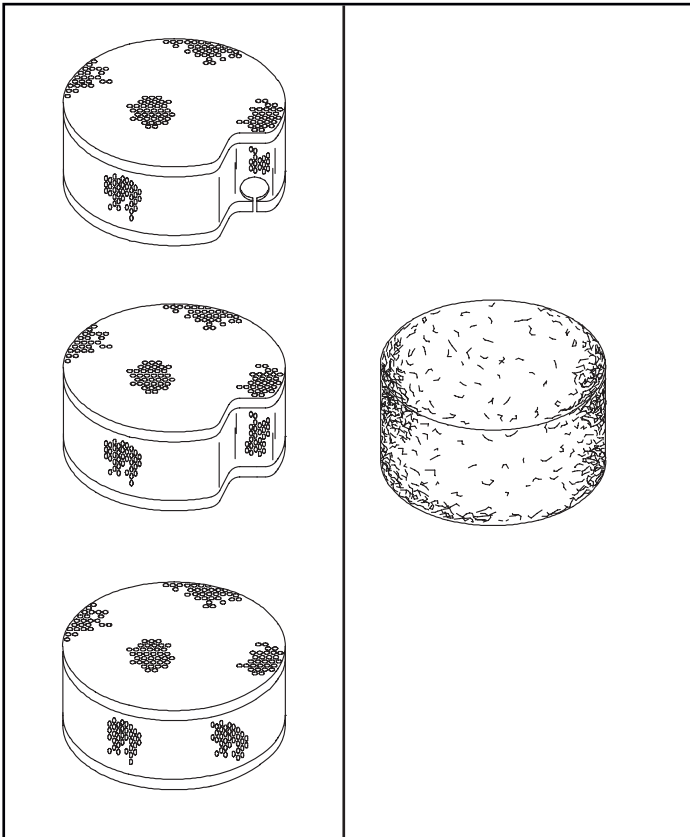


SPARK PLUG SHIELD

Provides added protection against moisture and suppresses radio interference. Fits most engine models.

Part No.

691954



DEBRIS GUARDS

Debris guards extend engine life by adding protection against cylinder fin debris build-up. Remove rotating screen before installing debris guard.

| Engine Models | Debris Guard | "Foam Hat" Debris Filter |
|-------------------------------|--|--------------------------|
| "60000, 80000, 90000, 110000" | 398833 ¹ | N/A |
| 120000 Quantum® | N/A | 693514 |
| 130000 | 493945 ^(1&3) | 271735 |
| 190000 thru 280000 | 397530 ¹ | |
| 190000 thru 280000 | 398857 ² | 271735 |
| 280000 | 695448 ^(4&5) | |
| 400000, 420000 | (Covers only rotating screen area) 491349 ² | 271964 |
| 400000, 420000 | (Covers entire blower housing) 393330 ² | N/A |
| 290000, 303000, 350000 | 808030 ² | 805935 |

1 Rewind starter models only.

2 Electric starter models without rewind starter.

3 After date code 90032600, before date code 91101300.

4 Rewind starter models only. After date code 99102600.

5 Rotating screen must be removed when using guard 695448.

BATTERIES & BATTERY ACCESSORIES



GT-X Superior Battery



GT-R Premium Battery



GT Standard Battery

BATTERIES

- High performance, maintenance free and reliable batteries.
- Popular sizes up to 300 CCA for garden tractors, snowmobiles, snow blowers and other powered equipment.

| BRIGGS & STRATTON BATTERIES | | | | | |
|-----------------------------|--------------|--------------------|-------------------------------|-----------------------|------------------------|
| BCI Group Size | Battery Type | Cranking APMS 0@°F | Reserve Capacity (mins.)@80°F | Approx. Wt. (lbs) Wet | Application |
| U1 | GT-X | 300 | 34 | 17 | 18 HP engines or above |
| | GT-H | 235 | 25 | 15 | up to 18 HP engines |
| | GT | 165 | 17 | 13 | up to 12 HP engines |
| UR1 | GT-R* | 235 | 25 | 15 | up to 18 HP engines |

* Same as GT-H battery, but positive and negative terminals are reversed

Ordering information:

- For replacement battery, contact your Briggs & Stratton Authorized Service Dealer.
- OEM inquiries should be directed to Exide at 1-888-723-1881.

BATTERY CENTER DISPLAY

Part No.*

Description

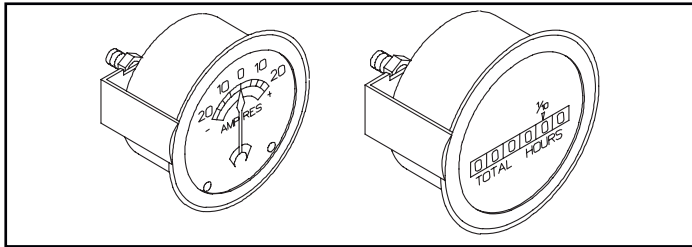
- | | |
|------------|--|
| B7000001 | Battery Terminal Protector – 1 oz. |
| B7000002 | Battery Terminal Cleaner – 1 oz. |
| B1600131 | Battery Terminal Anti-Corrosion Washer |
| B1500109 | Battery Terminal Bolts |
| B1501012 | Coated Top Post Battery Terminals |
| B7000150 | Red & Black Terminal Caps |
| B7000126 | Terminal Spreader |
| B7000151 | Battery Load Tester |
| B7001201 | 1 Amp – Trickle Charger – Regulated |
| B7000516 | Terminal Lugs |
| B7801226 | Booster Cables 12' – 10 gauge |
| B2580010 | Battery Cable 19" – 6 gauge |
| B2580011 | Battery Cable 43" – 6 gauge |
| B2580012 | Battery Cable 49" – 6 gauge |
| B7062059 | Mechanics Hydrometer |
| B7000118 | Metal Brush |
| B1500142 | Battery Cable Bolts with wingnuts |
| Model 1915 | Battery Warmer** |
| Model 1916 | Oil Warmer** |

*Contact your Briggs & Stratton Central Sales and Service Distributor or Authorized Service Dealer.

**For 10,000 & 12,000 kw standby only.



MISCELLANEOUS



AMMETER & HOUR METER

| <u>Part No.</u> | <u>Description</u> |
|-----------------|--|
| 295158 | Ammeter by Stewart Warner Scale: 20-0-20 amps |
| 100025 | Hour meter by Hobbs Requires 12V battery |

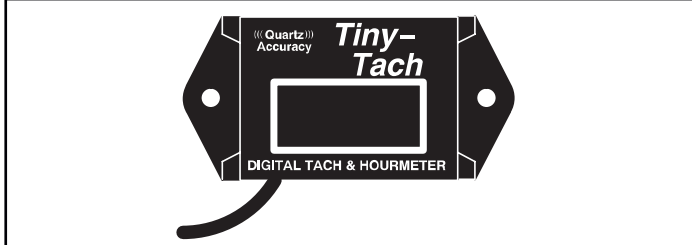
Note: Both meters include mounting hardware.

DIGITAL TACHOMETER & HOUR METER

Easy-to-use Tiny-Tach meter indicates engine RPM and run time.

Part No.

19389



STUB SHAFT KITS

For models 400000 and 420000, horizontal shaft opposed twin cylinder engines.

Part No.

494192

Kit includes:

| <u>Quantity</u> | <u>Part No.</u> | <u>Description</u> |
|-----------------|-----------------|--------------------|
| 2 | 691088 | Hex sem screws |
| 1 | 690452 | Fan retainer |
| 1 | 224414 | Rotating screen |
| 1 | | Stub shaft* |

Note: Engines built prior to code date 93011800 require the purchase of flywheel fan part number 498157 and fan retainer part number 690452.

For models 290000 and 380000, horizontal shaft opposed twin cylinder engines.

Part No.

841580

Kit includes:

| <u>Quantity</u> | <u>Part No.</u> | <u>Description</u> |
|-----------------|-----------------|--------------------|
| 1 | | Stub shaft |
| 4 | 691500 | Screen Spacers |
| 1 | 841581 | Alignment Pin |
| 1 | 841582 | Rotating Screen |
| 1 | 690887 | Hex Nut |
| 1 | 494439 | Rotating Screen |
| 2 | 691088 | Hex Head Screw |
| 4 | 841441 | Recess Screw |
| 4 | 691647 | Pan Head Screw |

For model 540000, 31 HP, V-twin.

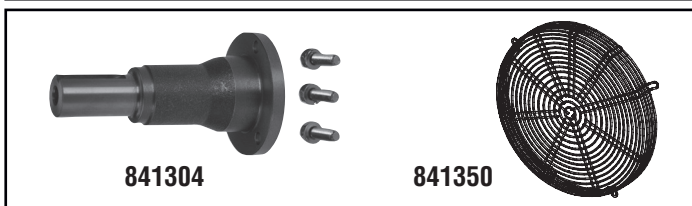
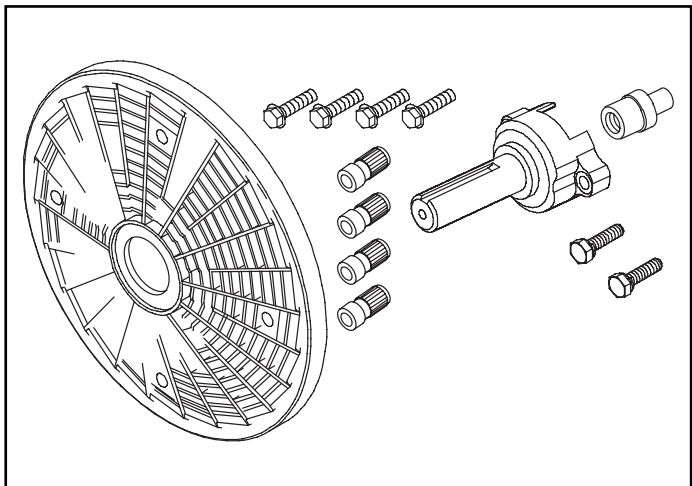
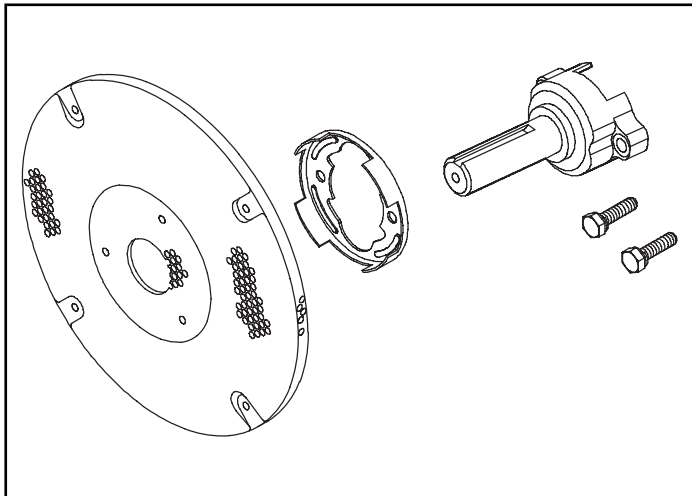
Part No.

841304

841350

Rotating screen

Stub shaft: diameter 1-1/8", length 148mm.



MISCELLANEOUS

STUB SHAFT AND ALIGNMENT PIN COMBINATIONS**

STANDARD LENGTH 4.750 STUB SHAFT

| <u>STANDARD VANGUARD™ V-TWIN</u> | | | | |
|--|-----------------------------------|---|--------------------------|---|
| <u>Model No.</u> | <u>Stub Shaft Kit Service P/N</u> | <u>Stub Shaft P/N (not sold separately)</u> | <u>Alignment Pin P/N</u> | <u>Comments</u> |
| Currently (old stub shaft) | | | | |
| 2904, 2944, 3034, 3044(GF) | 807867 | 262949 | 690740 | |
| 3504, 3544(GF), 3804, 3814, 3844(GF) | 807867 | 262949* | none | No alignment pin used because it will not allow stub shaft to seat on flywheel properly. |
| Replacing 262949 & 805613 when available (new stub shaft) | | | | |
| 2904, 2944, 3034, 3044(GF) | 841580 | 841244* | 841581 | This combination must be used together. This set up insures better alignment than the ol stub shaft and alignment pin listed above. |
| 3504, 3544(GF), 3804, 3814, 3844(GF) | 841580 | 841244* | none | No alignment pin because it will not allow stub shaft to seat on flywheel properly. |
| COOLER CLEANER VANGUARD™ V-TWIN | | | | |
| Currently (old stub shaft) | | | | |
| 2954, 3054, 3094(GF) | 807867 | 262949* | 690740 | |
| 3564, 3594(G), 3854, 3864, 3894(GF) | 807867 | 262949* | 690740 | Cooler cleaner flywheel mountin boss was eliminated therefore alignment pin needed. |
| Replacing 262949 & 805613 when available (new stub shaft) | | | | |
| 2954, 3054, 3094(GF) | 841580 | 841244* | 841581 | This combination gives better alignment than old set up. |
| 3564, 3594(GF), 3854, 3864, 3894(GF) | 841580 | 841244* | 841581 | This combination gives better alignment than old set up. |

LONGER STUB SHAFT 5.439 INCHES LONG - CURRENTLY NOW AVAILABLE

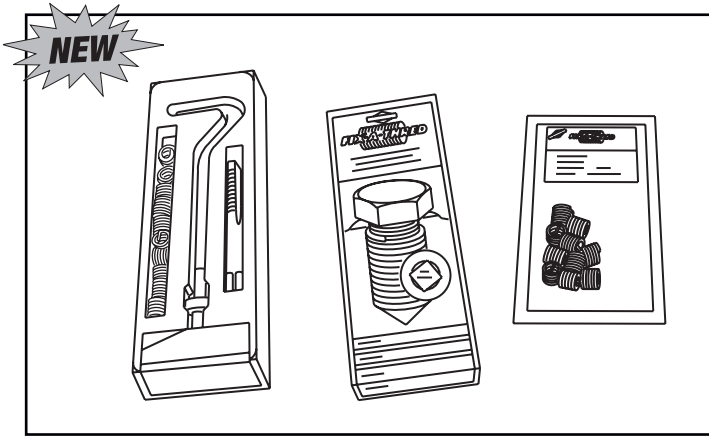
(Primarily used on 35/38 cooler cleaner due to deeper blower housing)

| <u>COOLER CLEANER VANGUARD™ V-TWIN</u> | | | | |
|--|-----------------------------------|---|--------------------------|-------------------|
| <u>Model No.</u> | <u>Stub Shaft Kit Service P/N</u> | <u>Stub Shaft P/N (not sold separately)</u> | <u>Alignment Pin P/N</u> | <u>Comments</u> |
| 3564, 3594(GF), 3854, 3864, 3894(GF) | 842655 | 809762* | 841581 | Longer stub shaft |

*Available as kit only

**As of 8-9-05

MISCELLANEOUS



FIX -A-THREAD KITS

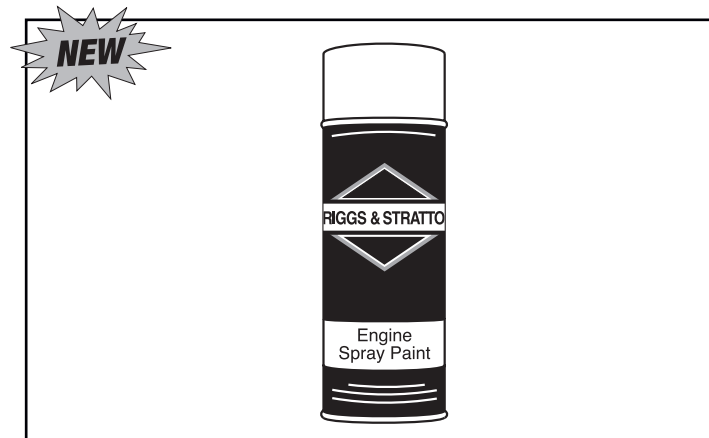
For repairing damaged and stripped threads.

| <u>Part No.</u> | <u>Description</u> |
|------------------------|------------------------------------|
| 100024 | Thread Repair Kit Master |
| *100007 | Thread Repair Kit 10-32 |
| *100008 | Thread Repair Kit 1/4-20 |
| *100009 | Thread Repair Kit 5/16-18 |
| 100010 | Thread Repair Kit M5x.8 |
| 100011 | Thread Repair Kit M6x1 |
| 100012 | Thread Repair Kit M8x1.25 |
| *100013 | Thread Repair Kit 14 mm Spark Plug |

*Included in 100024 Master Kit

Thread Insert Refills

| <u>Part No.</u> | <u>Description</u> |
|------------------------|--------------------------------------|
| 4185 | 10-32 Refill-10 |
| 4186 | 1/4-20 Refill-10 |
| 4187 | 5/16-18 Refill-10 |
| 4191 | 14mm Spark-10, Plug-3/8" |
| 4192 | 14mm Spark-10, Plug-3/4" (Vanguard™) |



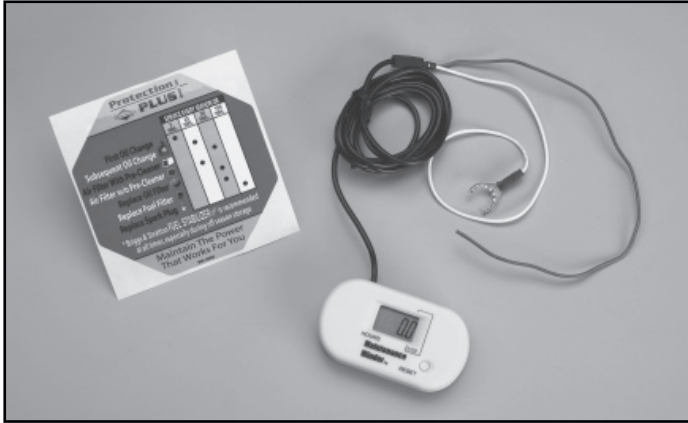
AEROSOL SPRAY PAINT

Fast drying, lacquer base, and gasoline resistant 13 ounce (369g) spray can.

Available colors, order separately:

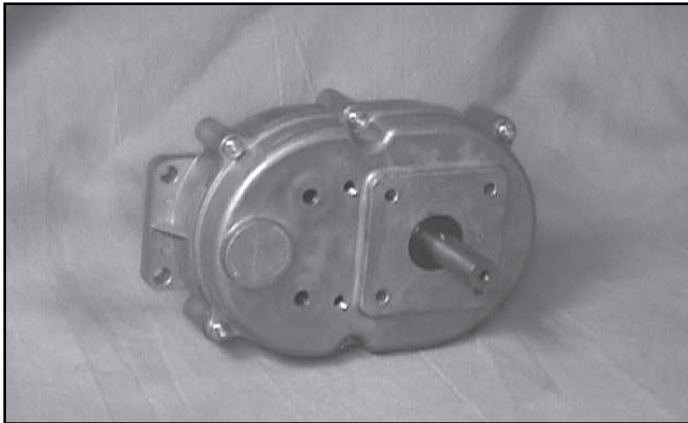
| <u>Part No.</u> | <u>Description</u> |
|------------------------|---------------------------|
| 271400 | Gloss Black |
| 271401 | Pearl White |
| 271402 | Ice White |
| 271403 | Satin Black |
| 271675 | American Red |

MISCELLANEOUS



MAINTENANCE MINDER™

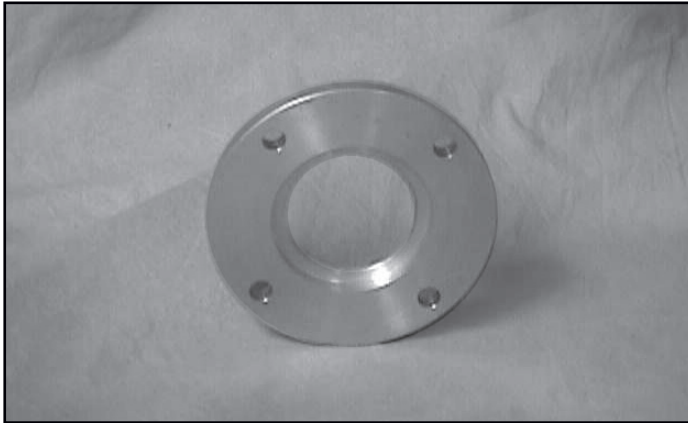
| <u>Part No.</u> | <u>Description</u> |
|-----------------|---|
| 5081D | The Maintenance Minder™ keeps track of the number of hours the equipment is being used, so that maintenance can be performed at the proper intervals. After maintenance is performed, simply reset the meter. Includes a stick on label that shows the recommended maintenance intervals. |
| 4210 | Bulk pack (Quantity is 25 per box) |



NORAM™ REDUCTION GEARBOXES

| <u>Engine</u> | <u>Noram™ Adapter</u> | <u>Noram™</u> |
|------------------|-----------------------|-----------------------|
| <u>Model No.</u> | <u>Kit Number</u> | <u>Gearbox Number</u> |
| 196400 | 13500024 | 61100 / 21100+ |
| 235400 | 13500015 | 61100 / 21100+ |
| 245400 | 13500015 | 61100 / 21100+ |
| 138400 | 1" dia. 12800010 | 61100 6-1+ |
| 138400 | 12800010 | 21100 2-1+ |
| 185400 | N/A | 61100 6-1+ |
| 185400 | N/A | 21100 2-1+ |

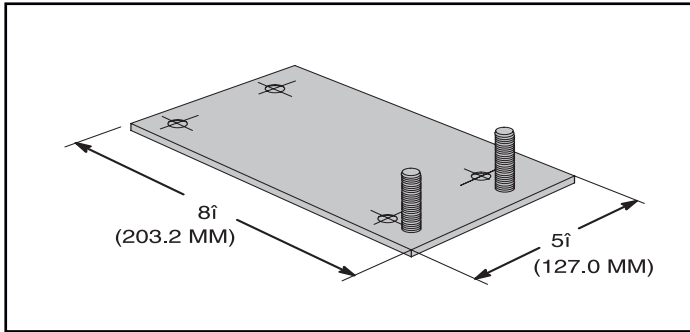
Notes: All engines must have a flange mount side cover.
 Noram output shaft size: diameter-1", length-3",
 keyway-1/4".
 + 1" dia. keyway crankshaft.



Contact your Briggs & Stratton Central Sales and Service Distributor to order.

NORAM: 4360 N. Green Bay Road
 Milwaukee, WI 53209
 (414) 267-4000

MISCELLANEOUS

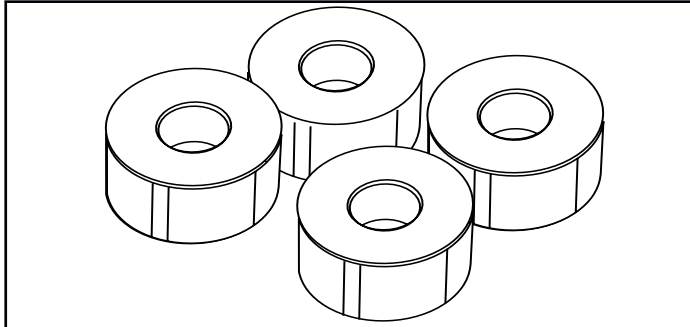


ADAPTER PLATE

This adapter plate allows for the repowering of model series 130000 engines with a 5.5 HP Vanguard™.

Part No.

498861



ADAPTER SPACER KIT

For raising all Models 20 and 21 crankshaft height to the level of Model 190000 and 250000. Adapters are 1" high and 1-1/8" wide.

Part No.

695154



LONG LIFE PLATINUM SPARK PLUGS

For easy starts, reduces fouling.

| PART NO. | DESCRIPTION | MODEL SERIES |
|---------------|------------------------------|--|
| 5062D 4175 | 1 Piece 24 pcs. Shop Pack | Used on most Briggs & Stratton L-Head engines |
| 5066D 4173 | 1 Piece 24 pcs. Shop Pack | Used on Intek™, Vanguard™ and most OHV engines |



TIRE SEALANT

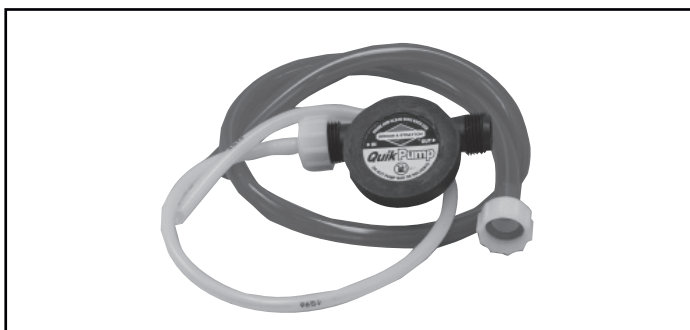
16 oz. & 32 oz.

Part No.

100032R – 16 oz.

100032a – 16 oz. (Tire sealant counter display – 8 bottles)

100033R – 32 oz.



OIL PUMP KIT

Part No.

5056D

Description

Operate by attaching to electric hand drill.

BRIGGS & STRATTON POWER PRODUCTS GENERATOR ACCESSORIES



STORAGE COVER KIT - LARGE

- Fits 15"-20" generator cradles with wheel kit installed
- Protects your investment from dirt, dust, etc.
- Not intended for outdoor use

Part No.

B4767GS



WHEEL KIT 20" - DELUXE

- Fits generators with a 20" wide cradle
- 12" pneumatic wheels
- U-shaped handle

Part No.

93584GS



WHEEL KIT 15" STANDARD

- Fits most generators
- 8" solid wheels
- Lifting handle

Part No.

93580GS



5-GALLON FUEL GAUGE

- Simple float design
- Provides continuous indication of fuel tank level
- Replaces the standard fuel cap on 5-gallon plastic fuel tanks

Part No.

90878GS



WHEEL KIT 15" - DELUXE

- Fits generators with a 15" wide cradle
- 12" pneumatic wheels
- U-shaped handle

Part No.

93581GS



4- & 7-GALLON FUEL GAUGE

- Simple float design
- Provides continuous indication of fuel tank level
- Replaces the standard fuel cap on 7-gallon plastic fuel tanks

Part No.

B4363GS

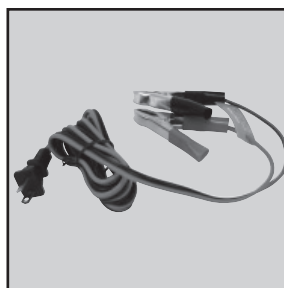


WHEEL KIT 18" - DELUXE

- Fits generators with a 18" wide cradle
- 12" pneumatic wheels
- U-shaped handle

Part No.

93583GS



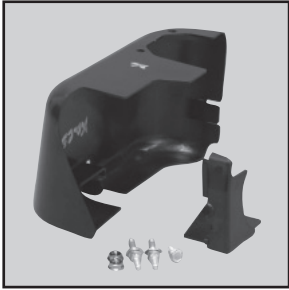
12 VOLT BATTERY CHARGE CABLES

Used on generators equipped with battery charge outlet

Part No.

65787GS

BRIGGS & STRATTON POWER PRODUCTS GENERATOR ACCESSORIES



WEATHERGUARD KIT

Fits Model 20 Intek™ OHV engines installed in generator applications only. Although designed to improve winter weather engine performance, it can be left installed all year.

Part No.

698816



TRANSFER SWITCH

SYSTEMS

| <u>Part No.</u> | <u>Description</u> |
|-----------------|---------------------------------------|
| 695061 | 6 circuit, 5000 watt, 20 amp system |
| 695062 | 10 circuit, 7500 watt, 30 amp system |
| 695571 | 6 circuit, 7500 watt, 30 amp system |
| 695511 | 10 circuit, 12500 watt, 30 amp system |

INLET BOXES

| <u>Part No.</u> | <u>Description</u> |
|-----------------|--------------------|
| 695066 | 20 amp inlet box |
| 695067 | 30 amp inlet box |
| 695514 | 50 amp inlet box |

POWER CORDS

| <u>Part No.</u> | <u>Description</u> |
|-----------------|-----------------------|
| 695517 | 15' 50 amp power cord |
| 695518 | 15' 50 amp power cord |
| 695520 | 10' 20 amp power cord |
| 695521 | 10' 30 amp power cord |
| 695522 | 25' 20 amp power cord |
| 695523 | 25' 30 amp power cord |

Contact your Briggs & Stratton Central Sales and Service Distributor to order.



GENERATOR ACCESSORY MATRIX

| Description | Model 1532 | Model 1932 | Model 1654 | Model 9801 |
|-------------------------------------|----------------|----------------|----------------|----------------|
| | Service Part # | Service Part # | Service Part # | Service Part # |
| Storm Ready Kit | N/A | N/A | N/A | N/A |
| Large Storage Cover 44" x 20" x 32" | N/A | B4767GS | B4767GS | B4767GS |
| NEMA# L5-20P 20 Amp 120 VAC Plug | N/A | N/A | N/A | 93568GS |
| NEMA# L5-30P 30 Amp 120 VAC | N/A | 100523GS | N/A | 100523GS |
| NEMA# L14-20P 20 Amp 120/240 VAC | N/A | 100522GS | N/A | 100522GS |
| NEMA# L14-30P 30 Amp 120/240 VAC | N/A | N/A | 43438GS | 43438GS |
| 20 Amp ExtendaPanel Extension Cord | N/A | 191389GS | N/A | N/A |
| 30 Amp ExtendaPanel Extension Cord | N/A | N/A | 188971GS | 188971GS |
| Spark Plug | 711252 | 491055S | 496018S | 491055S |
| Pre-Cleaner | 711460 | 491435S | 492889 | 272490S |
| Air Filter | 711459 | 491588S | 691643 | 394018S |
| Oil Filter | N/A | N/A | N/A | 492932S |

BRIGGS & STRATTON POWER PRODUCTS PRESSURE WASHER ACCESSORIES



MULTI-PURPOSE WASH

Concentrate - 32 oz. bottle
Makes 4 gallons

Part No.
100527GS



KIT - FLOOR BRUSH

Part No.
100510GS



VEHICLE/BOAT WASH

Concentrate - 32 oz. bottle
Makes 4 gallons

Part No.
100525GS



TURBO NOZZLE

- Great for heavy duty cleaning and paint stripping
- Stainless steel wand
- Use with all pressure washers 1500-2400 psi., up to 2.2 gpm and with M22 fitting.

Part No.
100511GS



HEAVY DUTY DEGREASER

Concentrate - 32 oz. bottle
Makes 4 gallons

Part No.
100526GS



3/8" X 25' EXTENSION HOSE

- Rated for 4000 PSI/276 BAR
- 3/8" x 25' size
- M22-1.5 female thread on both ends
- Non-marking

Part No.
100513GS



DECK WASH

Concentrate - 32 oz. bottle
Makes 2 gallons

Part No.
100524GS



3/8" X 50' EXTENSION HOSE

- M22-1.5 female thread
- Quick connect female fitting
- Rated at 4000 PSI

Part No.
B3636GS



ROTATING BRUSH

Part No.
89080GS

BRIGGS & STRATTON POWER PRODUCTS PRESSURE WASHER ACCESSORIES



PROJECT PRO™ SPRAY TIPS

Four replacement nozzles for Project Pro™ Cleaning Systems

Part No.
6038



CLEANING SOLUTION SIPHON HOSE & FILTER

Part No.
6046



QUICK-CONNECT TURBO WAND

Whirls a powerful pinn-point jet of water cleaning up 40% faster than standard nozzles

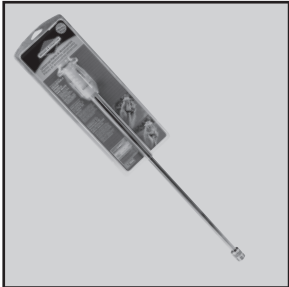
Part No.
6045



QUICK-CONNECT WAND

Quick-Connect fitting for easy connection to spray tips or other accessories

Part No.
6053



ADJUSTABLE SPRAY NOZZLE AND WAND

Twist for a full range of spray patterns from pin-point to wide fan (0-40 degrees)

Part No.
6044



MULTI-PURPOSE BRUSH KIT

Includes rotating & utility brushes, plus adapters to fit most gas & electric pressure washers

Part No.
6057



STORAGE HOSE REEL

Fits 1", 1-3/4" round & 1" square tubing

- Up to 50' of hose
- No tools required for assembly
- Mess-free wind-up

Part No.
6052



WATER BROOM

Spray jet provides a 14" wide spray pattern for consistent cleaning

Part No.
6059



QUICK-CONNECT SPRAY TIPS

Four high-pressure spray patterns (9, 15, 25 & 40 degrees)

Part No.
6047

**BRIGGS & STRATTON POWER PRODUCTS
PRESSURE WASHER ACCESSORIES**

POWER WASHER ACCESSORY MATRIX

| Description | Model 1694 | Model 1802 | Model 1806 | Model 1808 |
|-----------------------------|----------------|----------------|----------------|----------------|
| | Service Part # | Service Part # | Service Part # | Service Part # |
| Turbo Nozzle | 100511GS | 100511GS | N/A | N/A |
| 1/4" x 25' Replacement Hose | 190249GS | 190249GS | N/A | N/A |
| 3/8" x 25' Extension Hose | 100513GS | 100513GS | 100513GS | N/A |
| 3/8" x 50' Extension Hose | N/A | N/A | N/A | 100514GS |
| Pump Saver | 100515GS | 100515GS | 100515GS | 100515GS |
| Floor Brush | 100509GS | 100509GS | 100509GS | N/A |
| Rotating Brush | 100510GS | 100510GS | 100510GS | N/A |
| O-ring Kit | 100516GS | 100516GS | 100516GS | 100516GS |
| Deck Wash | 100524GS | 100524GS | 100524GS | 100524GS |
| Multi Purpose Wash | 100527GS | 100527GS | 100527GS | 100527GS |
| Heavy Duty Degreaser | 100526GS | 100526GS | 100526GS | 100526GS |
| Vehicle / Boat Wash | 100525GS | 100525GS | 100525GS | 100525GS |
| Spark Plug | 802592S | 802592S | 491055S | 491055S |
| Pre-Cleaner | N/A | 493537S | 493537S | 491435S |
| Air Filter | 598389 | 491588S | 491588S | 491588S |
| Oil Filter | N/A | N/A | N/A | N/A |

BRIGGS & STRATTON POWER PRODUCTS PRESSURE WASHER ACCESSORIES



PUMP SAVER - 6 PACK

- Protects against freezing for safe cold weather storage
- Maintains seals and pistons
- Prevents harmful buildup of hard water mineral deposits in pump

Part No.
100515GS



QUICK CONNECT

- 3/8" female NPT
- Quick connect male fitting
- Rated at 4000 PSI

Part No.
B4705GS



MULTI PURPOSE BRUSH

- Used in conjunction with your Generac Pressure Washer
- For automobiles, patio furniture, windows, siding and other surfaces

Part No.
89079GS



HOSE TO HOSE ADAPTER

- 3/8" female NPT
- M22-1.5 male thread
- Rated at 4000 PSI

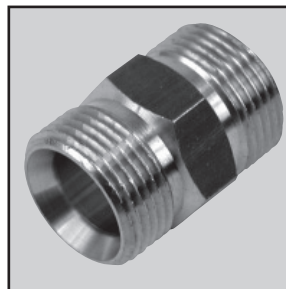
Part No.
95457GS



QUICK CONNECT

- M22-1.5 female thread
- Quick connect female fitting
- Rated at 4000 PSI

Part No.
100518GS



HOSE TO HOSE ADAPTER

- M22-1.5 x M22-1.5 male thread
- Rated at 400 PSI

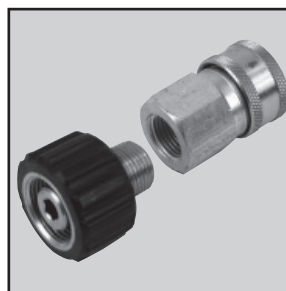
Part No.
B3575GS



QUICK CONNECT

- 3/8" female NPT x
- Female quick connect
- Rated at 4000 PSI

Part No.
95458GS



QUICK CONNECT SET

- Combines part numbers
- 185922GS & 95458GS
- Rated at 4000 PSI

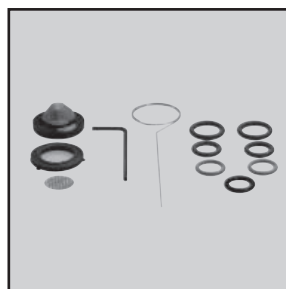
Part No.
185923GS



QUICK CONNECT

- 3/8" male NPT
- Male quick connect
- Rated at 4000 PSI

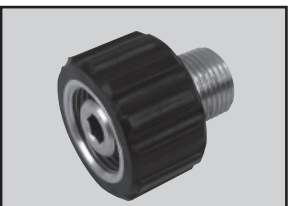
Part No.
95459GS



O-RING MAINTENANCE & NOZZLE CLEANING KIT

- Replaces worn or damaged o-rings
- Helps maintain nozzle performance

Part No.
191922GS

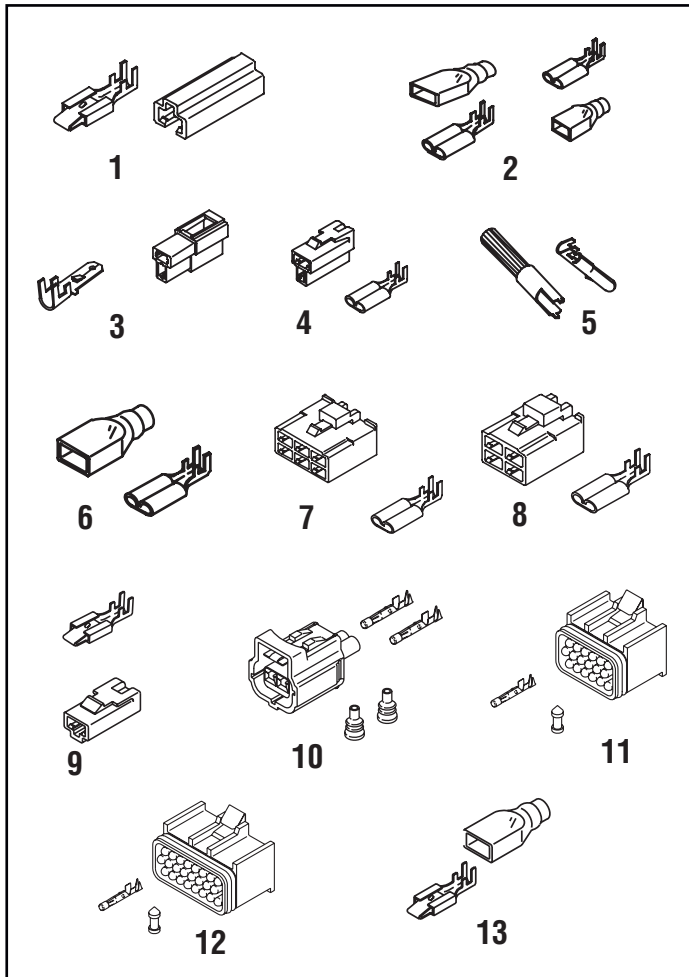


QUICK CONNECT

- 3/8" female NPT x
- M22-1.5 female
- Rated at 4000 PSI

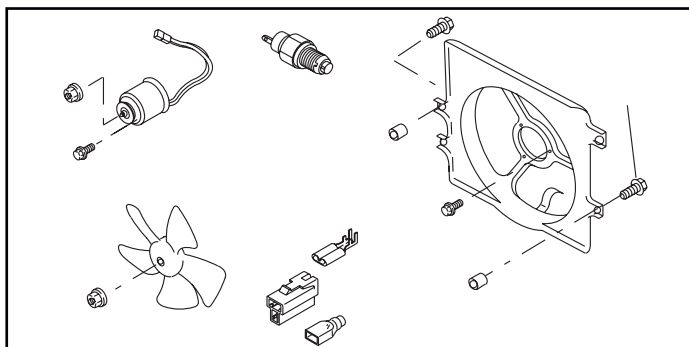
Part No.
185922GS

3/LC ENGINE OPTIONS



ELECTRICAL CONNECTORS

| <u>Ref. No.</u> | <u>Part No.</u> | <u>Terminal</u> <u>Connectors used on</u> |
|-----------------|-----------------|--|
| 1 | 825154 | Oil pressure switch, water pressure switch |
| 2 | 825155 | Coil-ignition wire kit |
| 3 | 825156 | Female fuel filter, fuel pump, and ignition trigger |
| 4 | 825157 | Male fuel pump, alternator, ignition trigger, fuel filter, and fan motor |
| 5 | 825158 | Solenoid |
| 6 | 825160 | Water temperature switch and water pump switch |
| 7 | 825162 | Pre-heat timer (ignition module, male) |
| 8 | 825163 | Ignition module, male |
| 9 | 825266 | Fuel injection pump, starter terminal |
| 10 | 825288 | Water temp switch |
| 11 | 825289 | Electronic gov. control module 12 Pins |
| 12 | 825290 | Electronic gov. control module 10 Pins |
| 13 | 825322 | 0.8 KW starter |

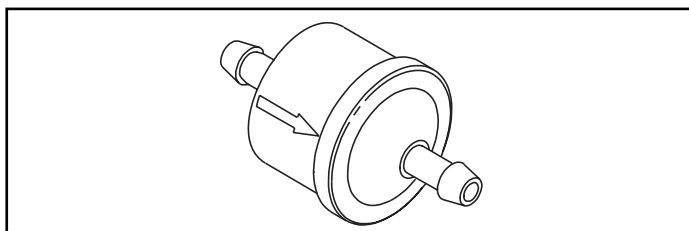


FAN MOTOR KIT

Electric radiator fan 120W.

Part No.

825217



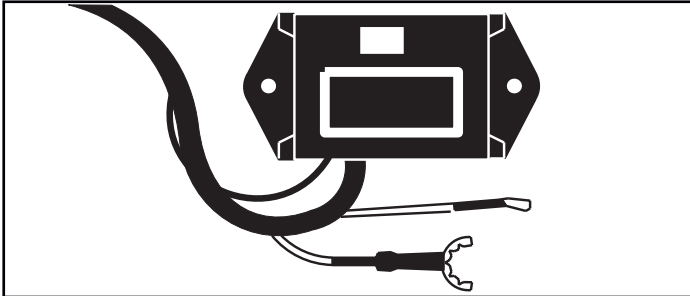
FUEL FILTER

Used on gasoline engines only.

Part No.

821026

3/LC ENGINE OPTIONS



DIGITAL TACHOMETER AND HOURMETER

For use on Vanguard™ 3/LC liquid cooled diesel engines.

Part No.

19457

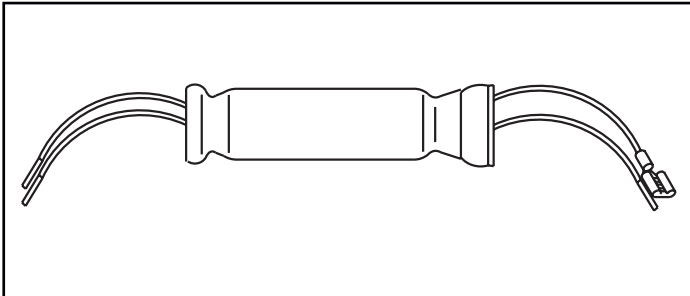


TRANSDUCER

Use with 19457 Digital Tachometer and Hourmeter. Quick clamp design with spring loaded post terminal for easy installation and removal.

Part No.

19463



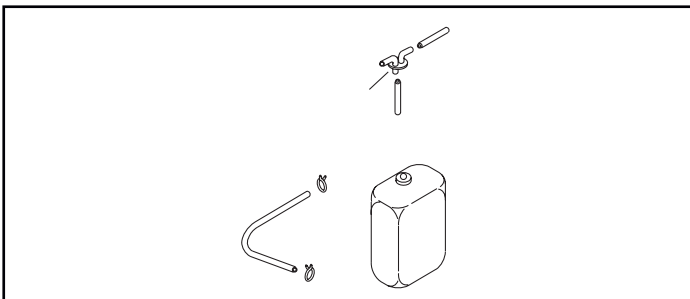
TINY TACH ADAPTER

Adapter permits use of digital tachometer, part #19389, on Vanguard™ 3/LC gasoline engines.

See page 44.

Part No.

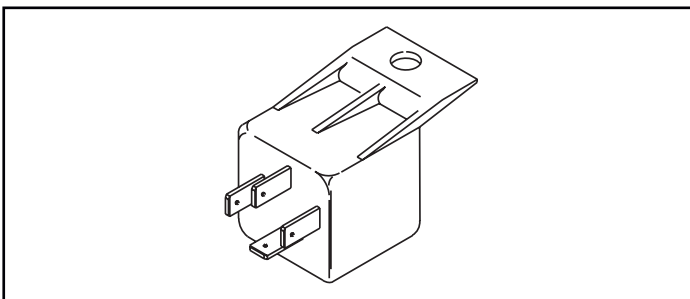
19456



RESERVE TANK FOR RADIATOR

Part No.

825462

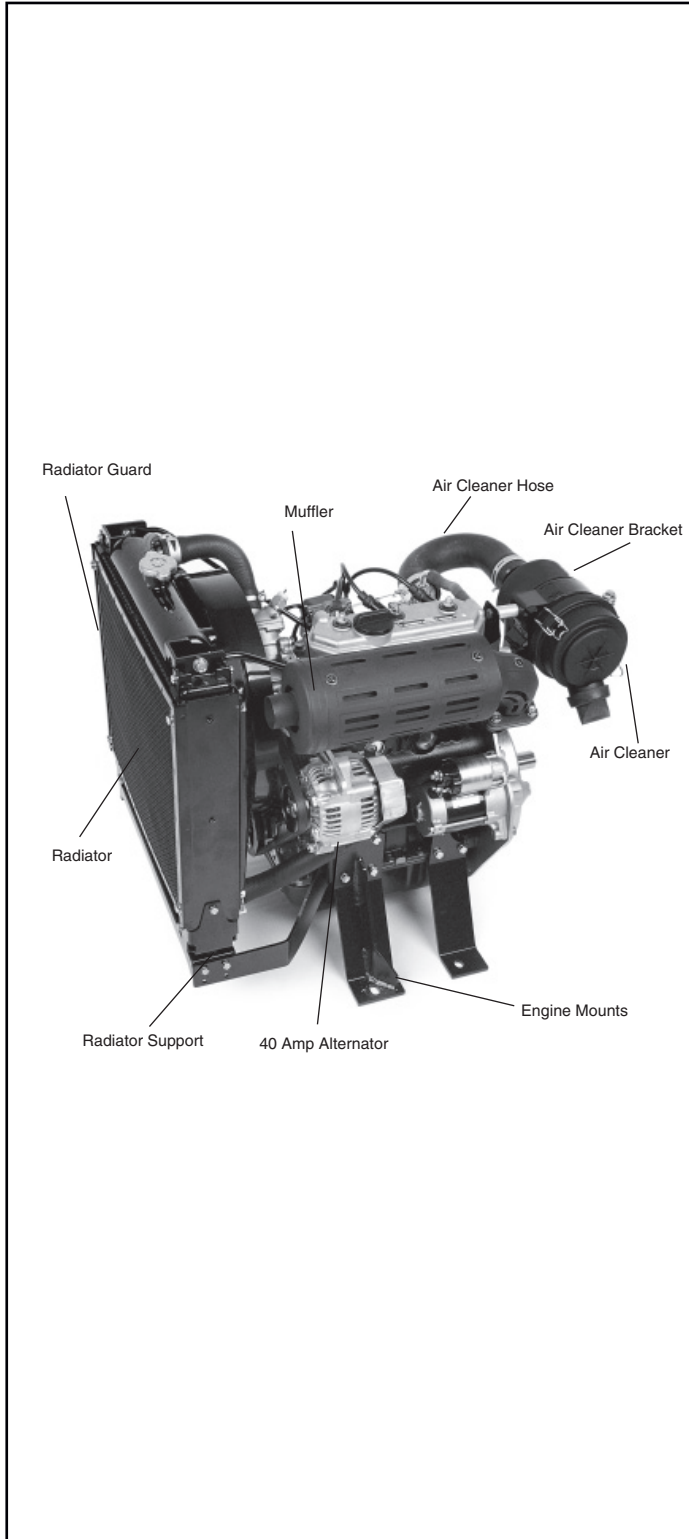


STARTER RELAY

Part No.

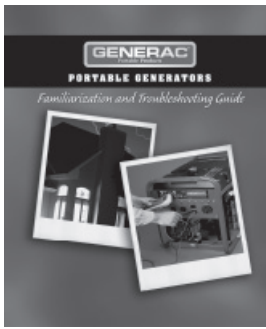
820455

3/LC ENGINE ACCESSORIES

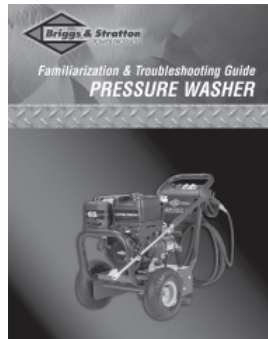


3 CYLINDER VANGUARD™ LIQUID-COOLED

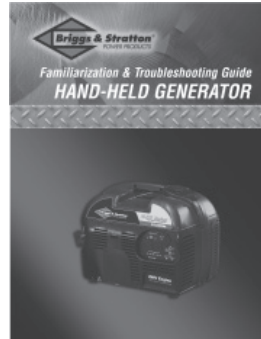
| <i>Service Part No.</i> | <i>Accessory Kit</i> | <i>Includes</i> |
|-------------------------|-----------------------------------|--|
| 825137 | Air Cleaner | Paper element with cyclone pre-cleaner, straight out, mounting band |
| 825125 | Air Cleaner | Paper element with cyclone pre-cleaner, 90° out, mounting band |
| 825218 | Air Cleaner Bracket | Air Cleaner Mounting Bracket |
| 825214 | Engine Mounts | (4) Mounting Feet for base engine |
| 825215 | Engine Mounts | Same, but for engine with SAE bell housing (825099) |
| 825098 | Flywheel Housing Flange | Flywheel housing with SAE "A" type hydraulic pump flange – no coupling |
| 825113 | Flywheel Housing Flange | Flywheel housing with SAE "B" type hydraulic pump flange – no coupling |
| 825099 | SAE Housing & | SAE flywheel #6-1/2 & SAE bell Flywheel housing #5 instead of end plate |
| 825200 | Muffler | Exhaust muffler with guard |
| 825358 | Muffler Adapter | Muffler Adapter 45°, Gasket, Fasteners |
| 825124 | Radiator-S Kit | Radiator, Fan Shroud, Surge Tank with Bracket, Hoses with Clamps |
| 825103 | Radiator Guard | Protective Grill |
| 820259 | Radiator Screen | Removable Debris Screen |
| 825216 | Radiator Mounting Kit | Radiator-to-Engine Mounting System |
| 825072 | Radiator Drain Valve Assembly | Remote Radiator Drain Kit |
| 825123 | Stub Shaft 1" | Stub Shaft 1" Diameter with 3/8 keyway |
| 825078 | Stub Shaft 7/16" with 3/8" keyway | Stub Shaft 1-7/16" 1-Diameter |
| 820554 | A/C Hose 90° Bend 2 clamps | A/C Hose 90° Bend with |
| 820556 | A/C Hose 180° Bend 2 clamps | A/C Hose 180° Bend with |
| 825219 | Diesel Fuel Filter | Fuel Filter with primer pump, water separator and water indicator switch |
| 825449 | Wire Harness Extension | Length: 6' |
| 825447 | Wire Harness (Diesel) | Single connector hook-up, 42" wire harness extension |
| 825448 | Wire Harness (Gas) | Single connector hook-up, 42" wire harness extension |
| 825450 | Control Panel (Gas) | Low oil pressure, high engine temperature, and charging indicators |
| 825451 | Control Panel (Diesel) | Low oil pressure, high engine temperature, glow plug, fuel filter, and charging indicators |



86262GS
Portable Generator
Familiarization &
Troubleshooting Guide



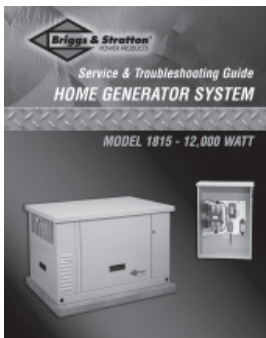
B3277GS
Pressure Washer
Familiarization &
Troubleshooting Guide



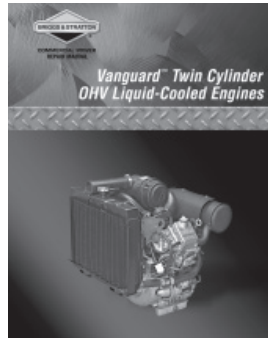
190275
Hand Held Generator
Familiarity & Troubleshooting
Guide



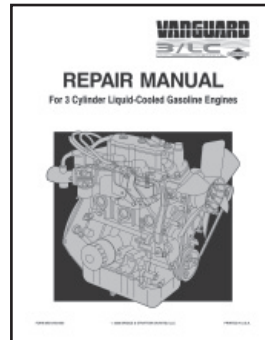
275110
5 HP Outboard



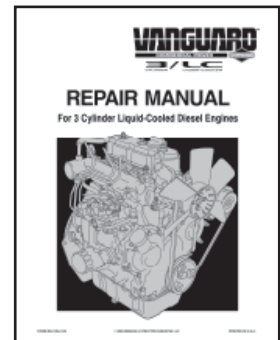
275742GS
Service & Troubleshooting
Guide, Model 1815



275429
2 Cylinder Liquid-Cooled
Manual



MS-0750
3 cylinder L/C Gasoline
Repair Manual



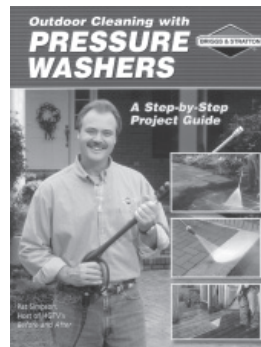
MS-1055
3 Cylinder L/C Diesel
Repair Manual



MS-4185
Popular Parts Source



275948GS
Service & Troubleshooting
Guide, Model 1938



6037
Outdoor Cleaning With
Pressure Washers



MS-5568
Engine Sales Replacement Specifications



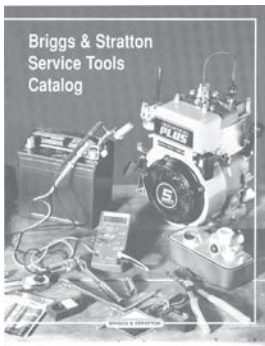
270962
Single Cylinder "L" Head Repair Manual



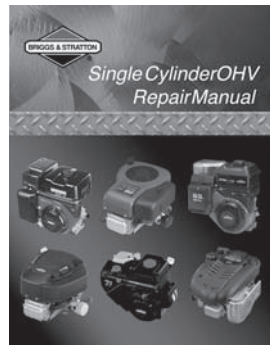
271172
Twin Cylinder "L" Head Repair Manual



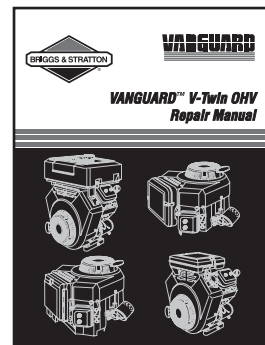
CE-8069
Service manual for Out of Production Engines 1919-1981



MS-8746
Service Tools Catalog



272147
Single Cylinder OHV Repair Manual



272144
Vanguard™ V-Twin OHV Repair Manual



275072
Micro Engine Repair Manual



247041
Small Engine Care & Repair

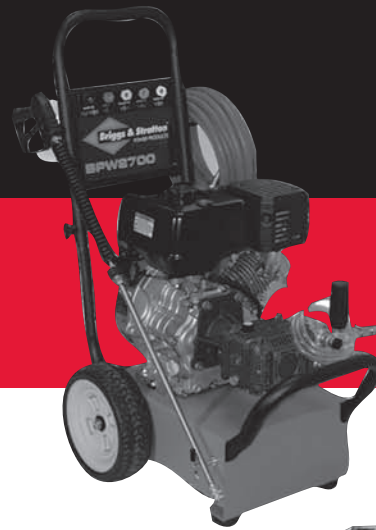


CE-3048 3-Cylinder Gas and
CE-3049 Diesel Professional CDs



CE-3086 Computer-Based
Training Program for 10KW &
12KW Home Generator Systems

Copyright ©2006 by Briggs & Stratton Corporation
All rights reserved. No part of this book may be reproduced or transmitted, in any form or by any means, electronic or mechanical, including photocopying, recording or by any information storage and retrieval system, without permission in writing from Briggs & Stratton Corporation.



Briggs & Stratton Corporation
Corporate Office
 12301 W. Wirth Street
 Wauwatosa, WI 53222-2110 USA
 Tel: 414-259-5333
 Dealer Locator: 1-800-223-3723
www.briggsandstratton.com
www.thepowerportal.com



WORLDWIDE SERVICE

Wherever you are, wherever you go, you can count on quick, highly skilled, reliable service through the Briggs & Stratton worldwide network of more than 30,000 Authorized Service Dealers, including more than 6,000 Master Service Technicians, dedicated to implementing our commitment to reliability and service. You can count on us!



Attach your dealer imprint:

Free Manuals Download Website

<http://myh66.com>

<http://usermanuals.us>

<http://www.somanuals.com>

<http://www.4manuals.cc>

<http://www.manual-lib.com>

<http://www.404manual.com>

<http://www.luxmanual.com>

<http://aubethermostatmanual.com>

Golf course search by state

<http://golfingnear.com>

Email search by domain

<http://emailbydomain.com>

Auto manuals search

<http://auto.somanuals.com>

TV manuals search

<http://tv.somanuals.com>