



# Illustrated Parts List

## Model Series

# 40F700

TYPE NUMBERS  
0100 through 0113.

### TABLE OF CONTENTS

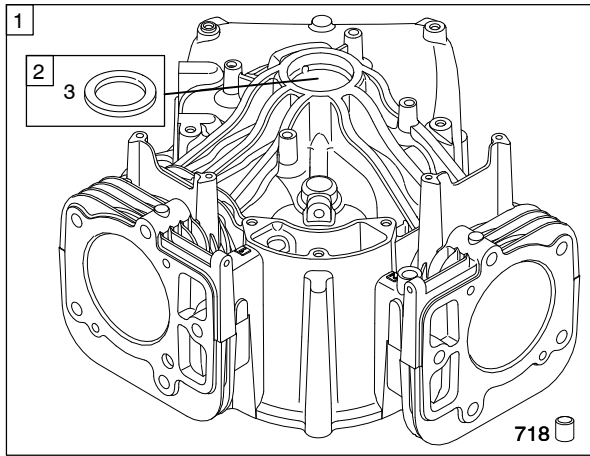
<b>Air Cleaner</b> .....	6
<b>Alternators/Ignition</b> .....	8
<b>Blower Housing/Shrouds</b> .....	6
<b>Camshaft</b> .....	2, 4
<b>Carburetor</b> .....	5
<b>Controls</b> .....	7
<b>Crankshaft</b> .....	3
<b>Cylinder</b> .....	2
<b>Cylinder Head</b> .....	4
<b>Electric Starter</b> .....	7
<b>Engine Sump</b> .....	2
<b>Flywheel</b> .....	7
<b>Kit/Gasket Sets</b> .....	3, 5
<b>Lubrication</b> .....	3
<b>Piston, Rings, Connecting Rod</b> .....	3
<b>Valves</b> .....	4



PRINTED IN U.S.A.

COPYRIGHT by BRIGGS & STRATTON CORPORATION  
All rights reserved. No part of this material may be reproduced or transmitted, in any form or by any means, electronic or mechanical, including photocopying, recording or by any information storage and retrieval system, without permission in writing from Briggs & Stratton Corporation.

# 40F700

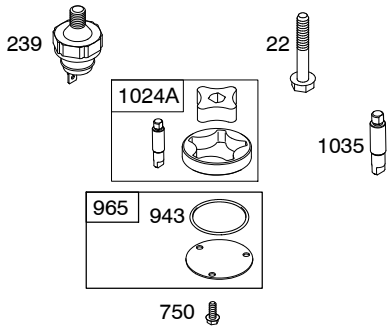
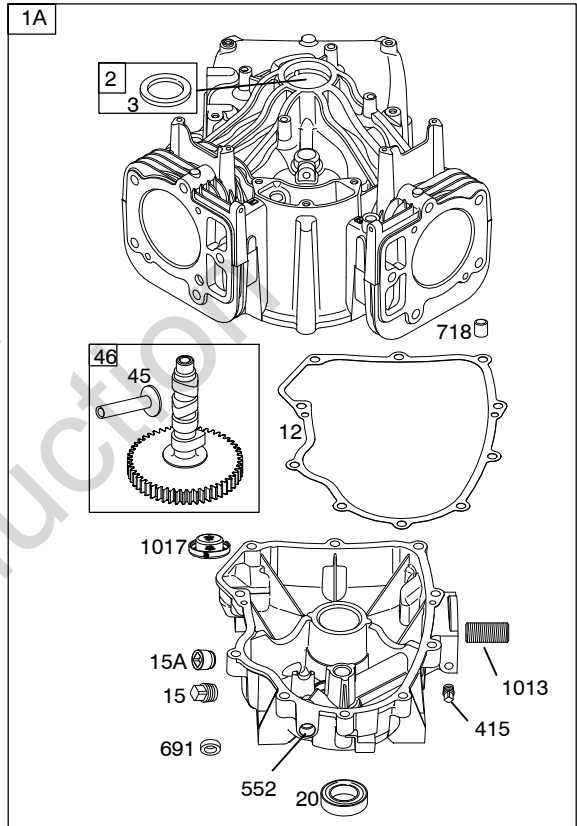
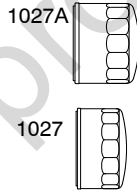
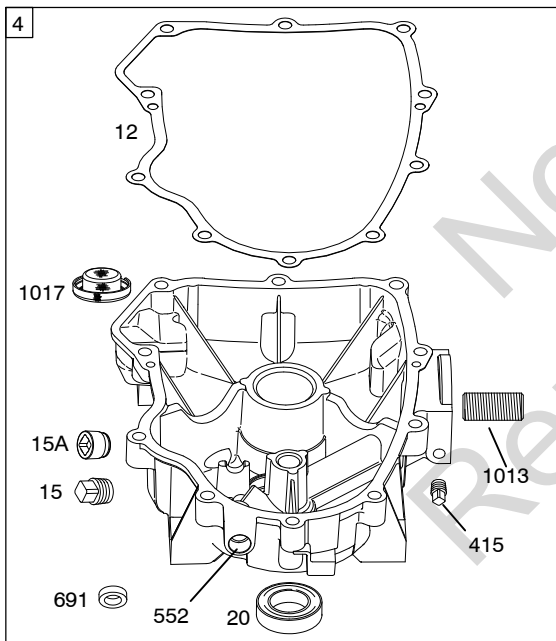
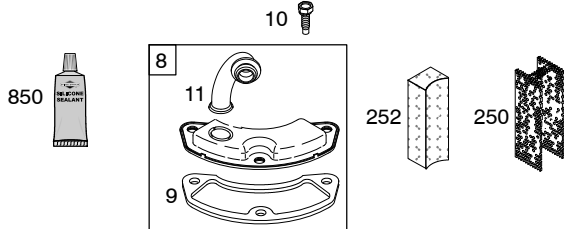


1058 OPERATOR'S MANUAL  
1330 REPAIR MANUAL

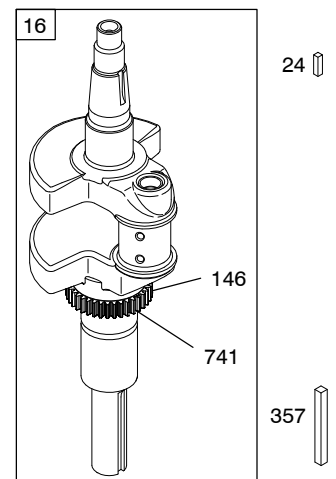
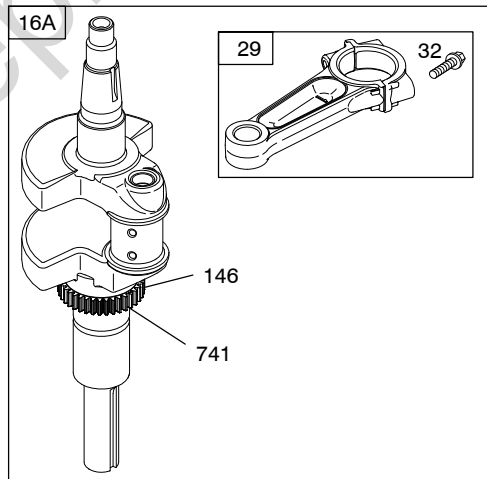
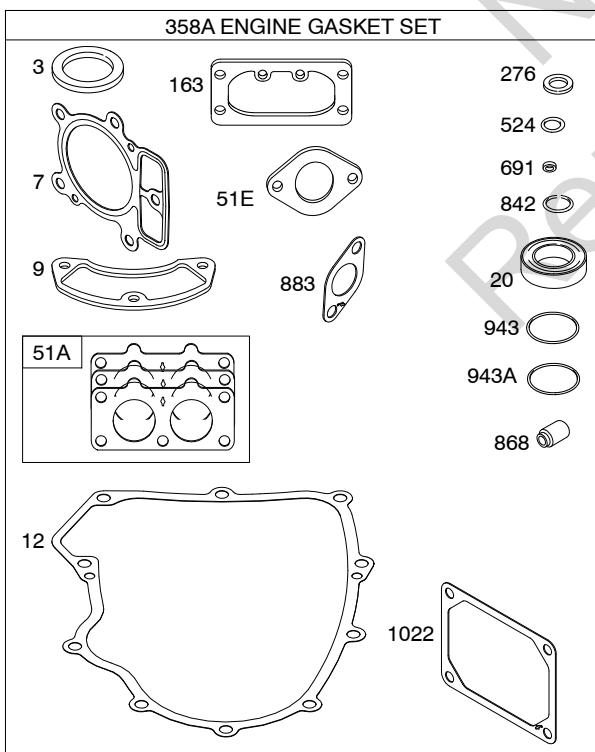
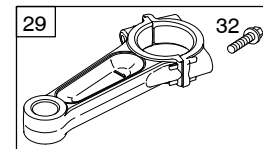
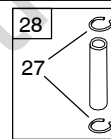
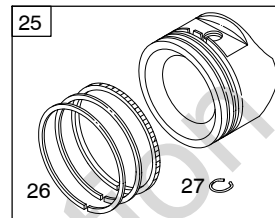
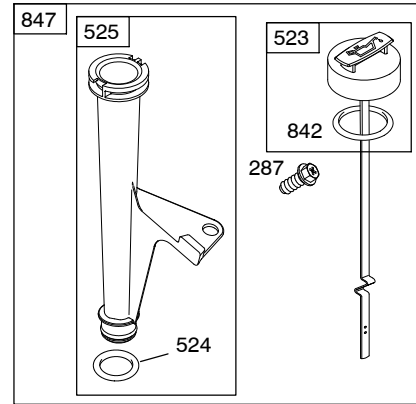
1319 WARNING LABEL

<b>WARNING</b>	
	Read and follow Operating Instructions before running engine.
	Gasoline is flammable. Allow engine to cool at least 2 minutes before refueling.
	Engines emit carbon monoxide, DO NOT run in enclosed area.
	Muffler area temperature may exceed 150°F. Do not touch hot parts.

**REQUIRED** when replacing parts with warning labels affixed.

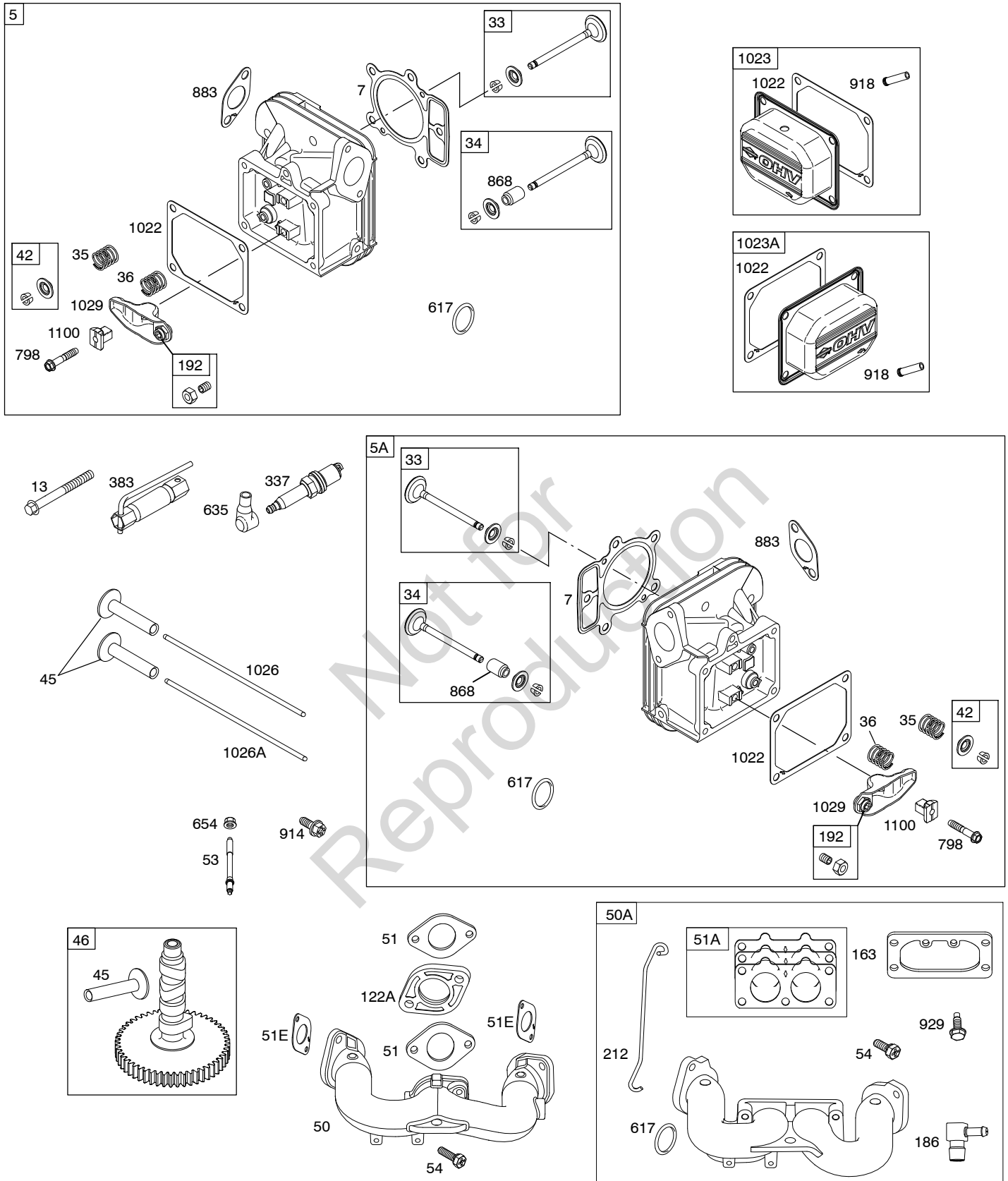


Illustrations cover a range of engines. Parts shown without corresponding text may not be used on your specific engine.  
5572-2 Assemblies include all parts shown in frames. 11/24/2008

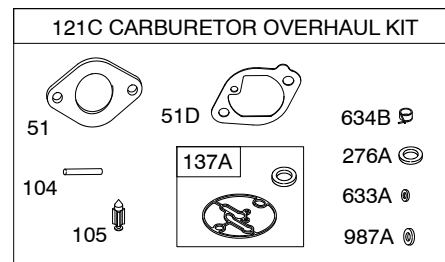
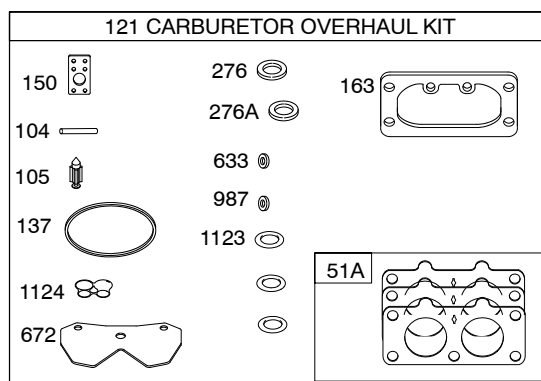
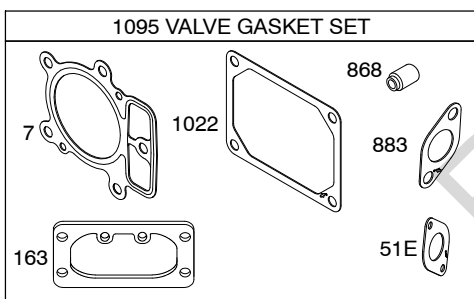
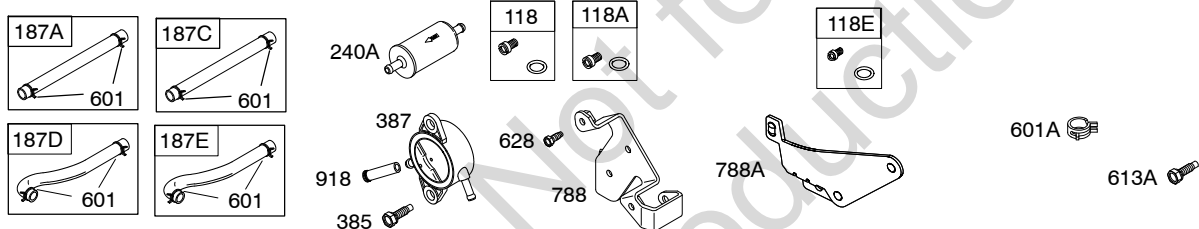
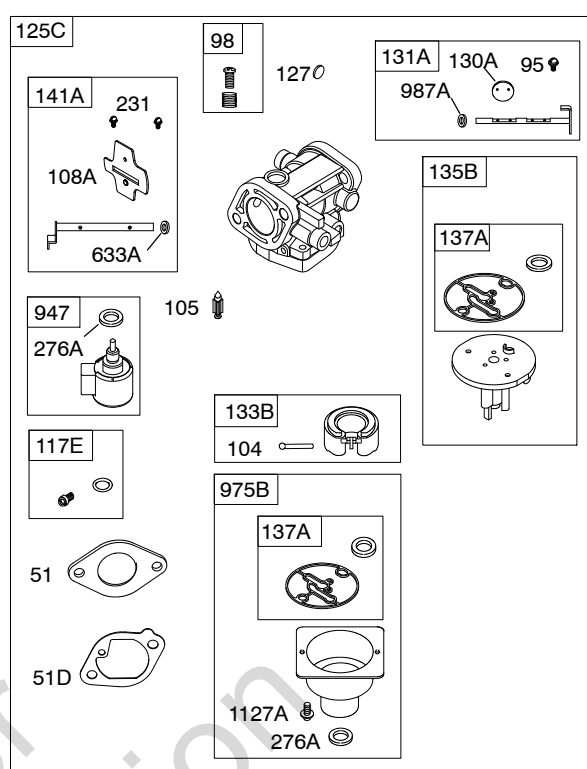
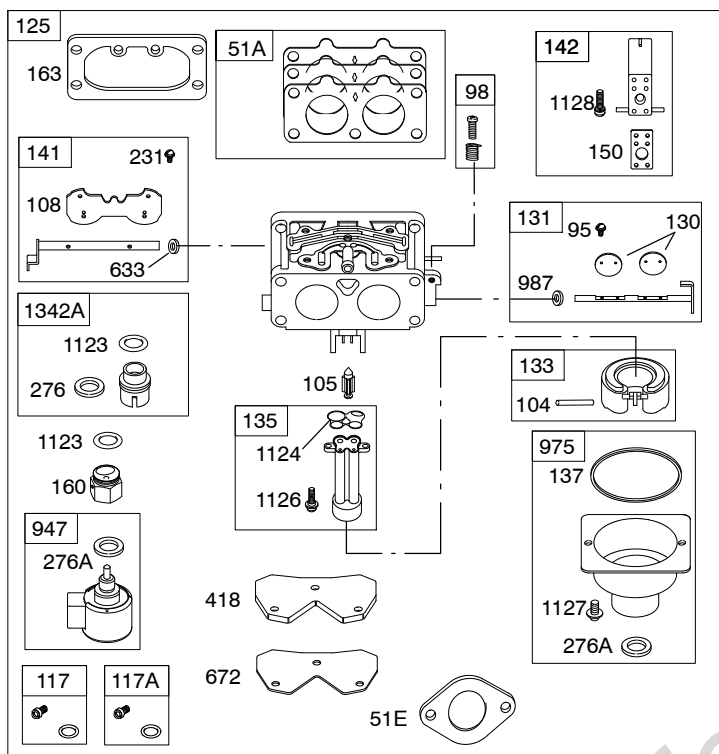


Illustrations cover a range of engines. Parts shown without corresponding text may not be used on your specific engine.  
 5572-3 Assemblies include all parts shown in frames. 11/24/2008

# 40F700

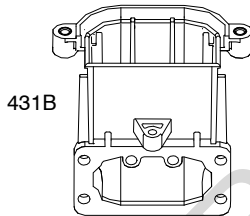
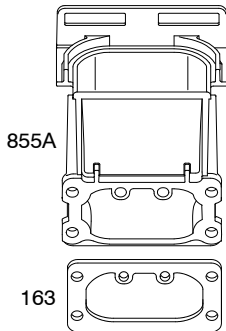
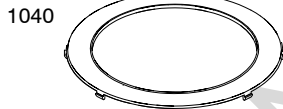
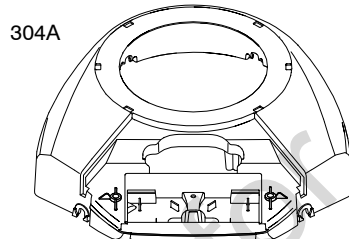
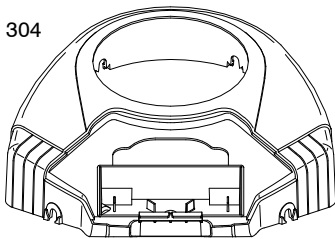
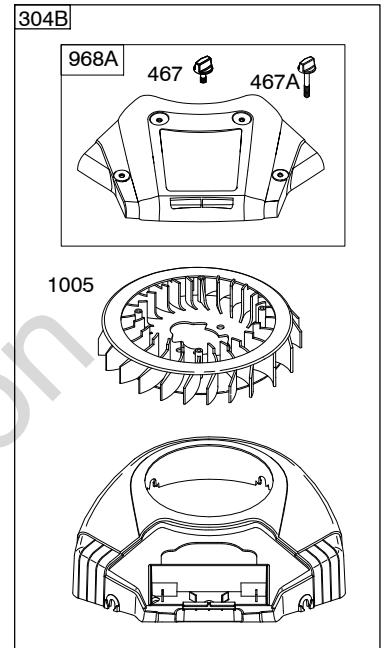
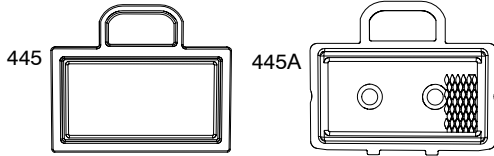
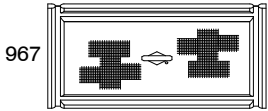
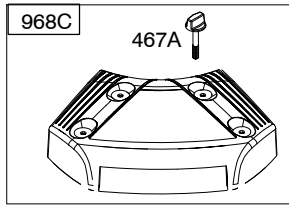
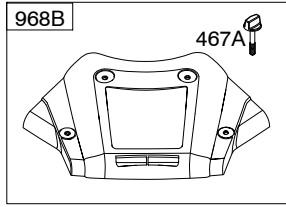
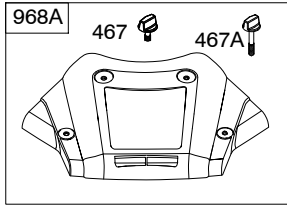


**Illustrations cover a range of engines. Parts shown without corresponding text may not be used on your specific engine.**  
**5572-4** Assemblies include all parts shown in frames. **11/24/2008**

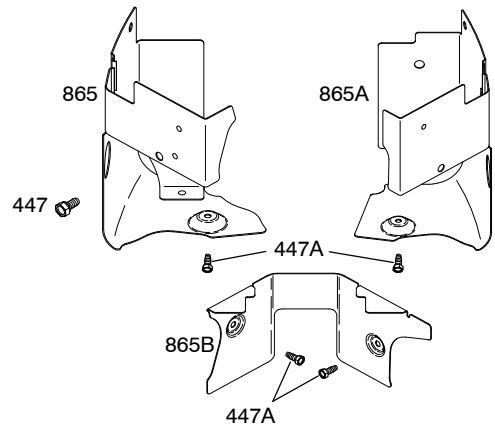
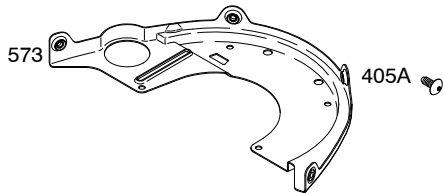


Illustrations cover a range of engines. Parts shown without corresponding text may not be used on your specific engine.

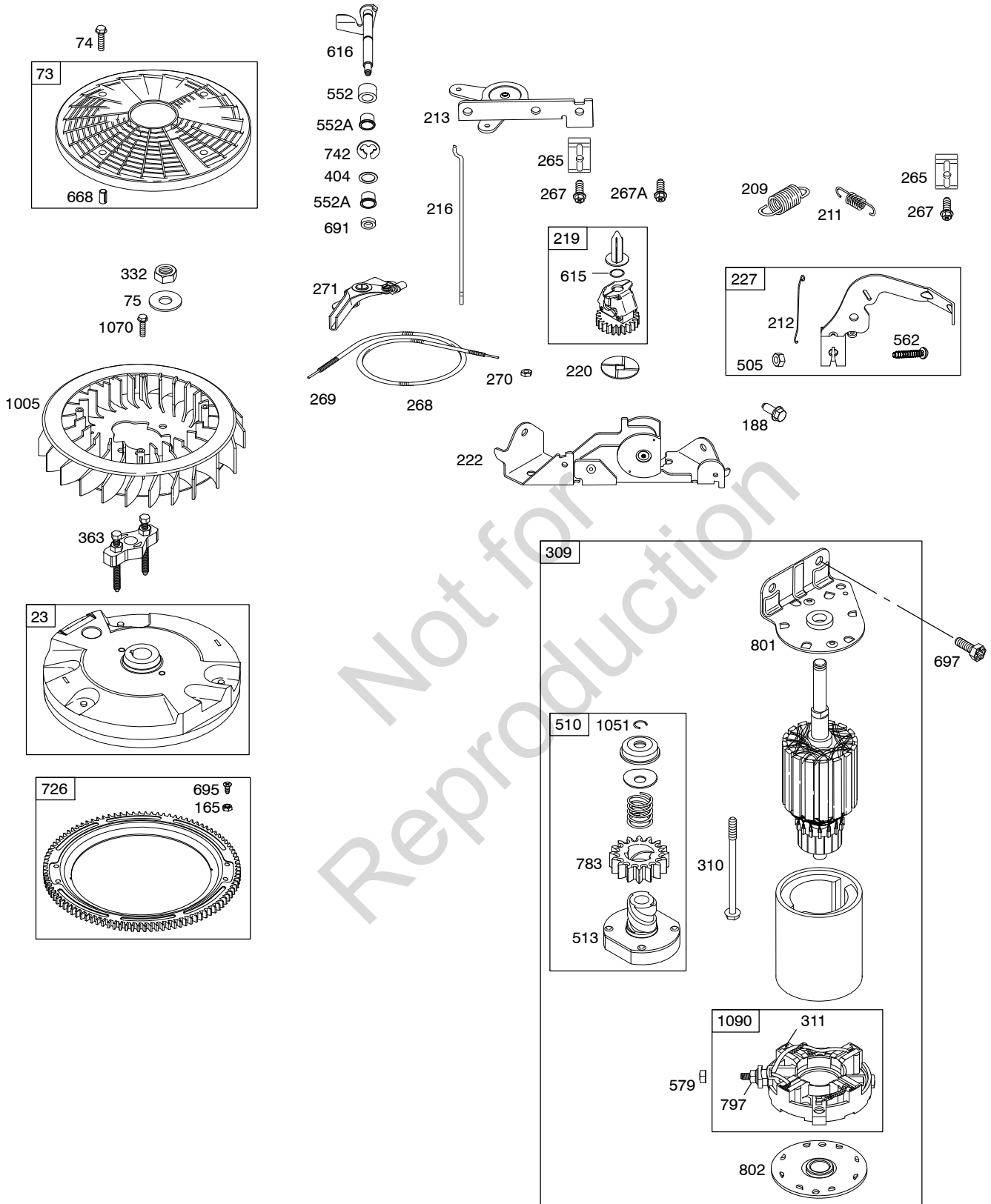
# 40F700



1036 EMISSIONS LABEL

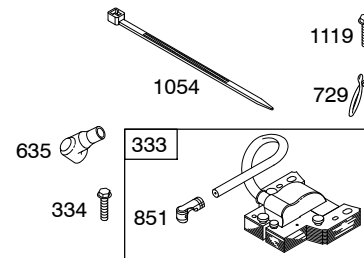
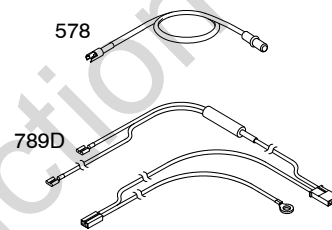
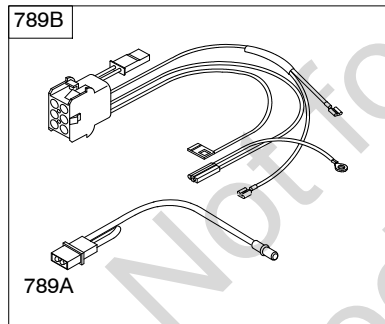


Illustrations cover a range of engines. Parts shown without corresponding text may not be used on your specific engine.  
 5572-6 Assemblies include all parts shown in frames. 11/24/2008



Illustrations cover a range of engines. Parts shown without corresponding text may not be used on your specific engine.  
 5572-7 Assemblies include all parts shown in frames. 11/24/2008

TRI CIRCUIT		10 - 16 AMP	
474C	1059	474B	1059
877C		877C	
878C		578	
<p><b>NOTE:</b> All stators use a No. 1119 mounting screw. </p> <p><b>NOTE:</b> The proper flywheel part number and/or the alternator magnet size will determine the alternator type or output. See repair instruction manual for additional information.</p>		526B 501B	



**Illustrations cover a range of engines. Parts shown without corresponding text may not be used on your specific engine.**  
**5572-8** Assemblies include all parts shown in frames. **11/24/2008**



REF. NO.	PART NO.	DESCRIPTION	REF. NO.	PART NO.	DESCRIPTION	REF. NO.	PART NO.	DESCRIPTION
1	795118	Cylinder Assembly (Used After Code Date 07070900). ----- Note ----- 699751 Cylinder Assembly (Used Before Code Date 07071000 and After Code Date 03082800). 699742 Cylinder Assembly (Used Before Code Date 03082900).	20	★795387	Seal-Oil (PTO Side)	46	790562	Camshaft (Used After Code Date 03082800). ----- Note ----- Camshaft (Used Before Code Date 03082900). No Longer Available. Must Use Ref 1A. 792555 Camshaft Used on Type No(s). 0100, 0113.
2	499585	Kit-Bushing/Seal (Magneto Side)	22	694966	Screw (Crankcase Cover/Sump)	50	699801	Manifold-Intake Used on Type No(s). 0113.
3	★391086	Seal-Oil (Magneto Side)	23	691053	Flywheel ----- Note ----- 791054 Flywheel Used on Type No(s). 0100.	50A	695241	Manifold-Intake (Plastic)
4	699747	Sump-Engine (Used After Code Date 03082800). ----- Note ----- 690069 Sump-Engine (Used Before Code Date 03082900).	24	222698S	Key-Flywheel	51	699803	Gasket-Intake
5	792299	Head-Cylinder (Cylinder 1)	25	793647	Piston Assembly (Standard) ----- Note ----- 793648 Piston Assembly (.020" Oversize)	51A★♦	791677	Gasket-Intake
5A	792300	Head-Cylinder (Cylinder 2)	26	698430	Ring Set (Standard) ----- Note ----- 698437 Ring Set (.020" Oversize)	51D	699800	Gasket-Intake
7	★Δ693997	Gasket-Cylinder Head	27	690975	Lock-Piston Pin	51E	690949	Gasket-Intake
8	499601	Breather Assembly	28	690229	Pin-Piston (Standard)	53	690951	Stud (Carburetor)
9	★792185	Gasket-Breather	29	699699	Rod-Connecting (Standard) (Used After Code Date 04010800). ----- Note ----- (For Replacement Connecting Rod, See Reference 16A) (Used Before Code Date 04010900).	54	699816	Screw (Intake Manifold)
10	691108	Screw (Breather Assembly)	32	690976	Screw (Connecting Rod)	73	494439	Screen-Rotating
11	792184	Tube-Breather	33	697576	Valve-Exhaust	74	698425	Screw (Rotating Screen)
12	★697227	Gasket-Crankcase	34	792200	Valve-Intake	75	691056	Washer (Flywheel)
13	791130	Screw (Cylinder Head)	35	690963	Spring-Valve (Intake)	95	690718	Screw (Throttle Valve)
15	691680	Plug-Oil Drain (1/2" Square Flush)	36	690963	Spring-Valve (Exhaust)	98	699721	Kit-Idle Speed (Used After Code Date 04080300). ----- Note ----- 499802 Kit-Idle Speed (Used Before Code Date 04080400).
15A	690946	Plug-Oil Drain	42	499586	Keeper-Valve	104	♦694918	Pin-Float Hinge (Used After Code Date 04080300). ----- Note ----- 690984 Pin-Float Hinge (Used Before Code Date 04080400).
16	699700	Crankshaft (Used After Code Date 04010800).	45	690977	Tappet-Valve	105	♦698537	Valve-Float Needle (Used After Code Date 04080300). ----- Note ----- 690985 Valve-Float Needle (Used Before Code Date 04080400).
16A	699701	Crankshaft (Includes Connecting Rod) (Used Before Code Date 04010800).						

★ Included in Engine Gasket Set-Ref. No. 358.

● Included in Carburetor Overhaul Kit-Ref. No. 121.

♦ Included in Carburetor Gasket Set-Ref. No. 977.

Δ Included in Valve Gasket Set-Ref. No. 1095.

**Illustrations cover a range of engines. Parts shown without corresponding text may not be used on your specific engine.**

5572-9

Assemblies include all parts shown in frames.

11/24/2008

# 40F700

REF. NO.	PART NO.	DESCRIPTION	REF. NO.	PART NO.	DESCRIPTION	REF. NO.	PART NO.	DESCRIPTION
108	690986	Valve-Choke	133	699724	Float-Carburetor (Used After Code Date 04080300).	160	699727	Retainer-Solenoid (Used After Code Date 04080300).
108A	699808	Valve-Choke			----- Note -----			----- Note -----
117	●690232	Jet-Main (Standard) (Used Before Code Date 04080400).			499806 Float-Carburetor (Used Before Code Date 04080400).			690996 Retainer-Solenoid (Used Before Code Date 04080400).
		----- Note -----						
		699732 Jet-Main (Standard) (Left or Cylinder 1) (Used After Code Date 04080300).	133B	694914	Float-Carburetor Used on Type No(s). 0113.	163	★△691001	Gasket-Air Cleaner
117A	699733	Jet-Main (Standard) (Right Or Cylinder 2) (Used After Code Date 04080300).	135	699729	Tube-Fuel Transfer (Used After Code Date 04080300).	165	693148	Nut (Ring Gear)
		----- Note -----			----- Note -----			
		699733 Jet-Main (Standard) (Right Or Cylinder 2) (Used After Code Date 04080300).			499803 Tube-Fuel Transfer (Used Before Code Date 04080400).	186	795985	Connector-Hose
117E	791406	Jet-Main (Standard) Used on Type No(s). 0113.	135B	698780	Tube-Fuel Transfer Used on Type No(s). 0113.	187A	791666	Line-Fuel (Cut To Required Length)
		----- Note -----						
		699733 Jet-Main (High Altitude) (Left or Cylinder 1) (Used After Code Date 04080300).			499807 Kit-Choke Shaft (Used Before Code Date 04080400).	187C	791745	Line-Fuel (Cut To Required Length)
118	790890	Jet-Main (High Altitude) (Left or Cylinder 1) (Used After Code Date 04080300).	137	◆690994	Gasket-Float Bowl	187D	791744	Line-Fuel (Molded)
		----- Note -----	137A	●698781	Gasket-Float Bowl Used on Type No(s). 0113.			
		699458 Jet-Main (High Altitude) (Right Or Cylinder 2) (Used After Code Date 04080300).	141	699722	Kit-Choke Shaft (Used After Code Date 04080300).	187E	791801	Line-Fuel (Cut To Required Length)
118A	699458	Jet-Main (High Altitude) (Right Or Cylinder 2) (Used After Code Date 04080300).			----- Note -----			
		----- Note -----			499807 Kit-Choke Shaft (Used Before Code Date 04080400).	188	691108	Screw (Control Bracket)
121	699734	Kit-Carburetor Overhaul (Used After Code Date 04080300).	141A	699811	Kit-Choke Shaft Used on Type No(s). 0113.			
		----- Note -----						
		499811 Kit-Carburetor Overhaul (Used Before Code Date 04080400).	142	●699726	Nozzle-Carburetor (Standard) (Used After Code Date 04080300).			
121C	699814	Kit-Carburetor Overhaul			----- Note -----			
		----- Note -----			499808 Nozzle-Carburetor (Standard) (Used Before Code Date 04080400).			
125	791230	Carburetor						
125C	699807	Carburetor Used on Type No(s). 0113.						
		----- Note -----						
127	699810	Plug-Welch Used on Type No(s). 0113.	146	690979	Key-Timing			
		----- Note -----	150	◆690995	Gasket-Nozzle			
		690993 Valve-Throttle Used on Type No(s). 0113.						
130	690993	Valve-Throttle						
130A	699809	Valve-Throttle Used on Type No(s). 0113.						
		----- Note -----						
		499805 Kit-Throttle Shaft						
131	499805	Kit-Throttle Shaft						
131A	699812	Kit-Throttle Shaft Used on Type No(s). 0113.						

★ Included in Engine Gasket Set-Ref. No. 358.

● Included in Carburetor Overhaul Kit-Ref. No. 121.

◆ Included in Carburetor Gasket Set-Ref. No. 977.

△ Included in Valve Gasket Set-Ref. No. 1095.

**Illustrations cover a range of engines. Parts shown without corresponding text may not be used on your specific engine.**

5572-10

Assemblies include all parts shown in frames.

11/24/2008

REF. NO.	PART NO.	DESCRIPTION	REF. NO.	PART NO.	DESCRIPTION	REF. NO.	PART NO.	DESCRIPTION
192	690083	Adjuster-Rocker Arm	270	691027	Nut (Control Wire Casing)	387	808656	Pump-Fuel
209	698071	Spring-Governor	271	691028	Lever-Control	404	690442	Washer (Governor Crank)
		----- Note -----	276	★690997	Washer-Sealing	405A	697820	Screw (Back Plate)(Mounting)
		797674 Spring-Governor	276A	●695410	Washer-Sealing	415	794903	Plug
		Used on Type No(s). 0111, 0112.	287	691108	Screw (Dipstick Tube)	418	690999	Plate-Carburetor
		795086 Spring-Governor	304	790688	Housing-Blower (Black)	431B	790816	Elbow-Intake
		Used on Type No(s). 0113.			(Used Before Code Date 06103000 and After Code Date 04080300).	445	499486S	Filter-Air Cleaner Cartridge
		793340 Spring-Governor	304A	796597	Housing-Blower (Black)	445A	792101	Filter-Air Cleaner Cartridge Used on Type No(s). 0100.
		Used on Type No(s). 0100.			(Used After Code Date 08091400).	447	691003	Screw (Air Guide Cover)
211	691019	Spring-Governed Idle			----- Note -----	447A	691108	Screw (Air Guide Cover)
212	695238	Link-Throttle (Used With Plastic Intake Manifold)			791243 Housing-Blower (Black)	467	790697	Knob-Air Cleaner (1 1/2" Long)
213	691021	Bracket-Choke Control			(Used Before Code Date 08091500 and After Code Date 06102900).	467A	691008	Knob-Air Cleaner
216	691022	Link-Choke	304B	790692	Housing-Blower (Used Before Code Date 04080400).	474B	696458	Alternator (10-16 Amp Regulated)
219	793338	Gear-Governor			----- Note -----	474C	696459	Alternator (Tri-Circuit)
220	690412	Washer (Governor Gear)			795121 Motor-Starter Used on Type No(s). 0113.	501B	691185	Regulator (10-16 Amp Regulated)
222	698761	Bracket-Control	305	691005	Screw (Blower Housing)	505	691029	Nut (Governor Control Lever)
227	796223	Lever-Governor Control (Used After Code Date 08071300).	305B	790690	Screw (Blower Housing)	510	696541	Drive-Starter
		----- Note -----	309	499521	Motor-Starter	513	692024	Clutch-Drive
		792942 Lever-Governor Control (Used Before Code Date 08071400).			----- Note -----	523	691036	Dipstick
					795121 Motor-Starter Used on Type No(s). 0113.	524	★691032	Seal-Dipstick Tube
231	690718	Screw (Choke Valve)	310	691263	Screw (Starter Motor)	525	691037	Tube-Dipstick
239	792028	Switch-Oil Pressure	311	497608	Brush Set	526B	691108	Screw (Regulator) (16 Amp)(5/8" Long)
240A	695666	Filter-Fuel	332	691059	Nut (Flywheel)	552	690552	Bushing-Governor Crank
250	690957	Retainer-Breather	333	691060	Armature-Magneto	552A	690553	Bushing-Governor Crank
252	794389	Collector-Oil	334	691061	Screw (Magneto Armature)	562	690311	Bolt (Governor Control Lever)
265	691024	Clamp-Casing	337	491055S	Plug-Spark	573	790444	Plate-Back
267	691044	Screw (Casing Clamp) (Hex Head) (.630 Length)	357	691483	Key-Drive Pulley	578	691208	Wire Assembly
267A	695134	Screw (Casing Clamp) (.625 Length)	358A	694012	Gasket Set-Engine	579	691029	Nut (Starter Cable)
268	691025	Casing-Control Wire (Cut To Required Length)	363	19203	Puller-Flywheel			
269	691026	Wire-Control (Cut To Required Length)	383	19374S	Wrench-Spark Plug			
			385	691108	Screw (Fuel Pump)			

★ Included in Engine Gasket Set-Ref. No. 358.

● Included in Carburetor Overhaul Kit-Ref. No. 121.

◆ Included in Carburetor Gasket Set-Ref. No. 977.

△ Included in Valve Gasket Set-Ref. No. 1095.

**Illustrations cover a range of engines. Parts shown without corresponding text may not be used on your specific engine.**

5572-11

Assemblies include all parts shown in frames.

11/24/2008

# 40F700

REF. NO.	PART NO.	DESCRIPTION	REF. NO.	PART NO.	DESCRIPTION	REF. NO.	PART NO.	DESCRIPTION
601	791850	Clamp-Hose	729	694123	Clip-Wire	943	★690589	Seal-O Ring (Oil Pump Cover)
601A	691038	Clamp-Hose	741	690980	Gear-Timing	947	699728	Solenoid-Fuel (Used After Code Date 04080300).
613A	690341	Screw	742	690328	Retainer-E Ring			----- <b>Note</b> -----
615	698290	Retainer-Governor Shaft	750	696999	Screw (Oil Pump Cover)			<b>499809</b> Solenoid-Fuel (Used Before Code Date 04080400).
616	691045	Crank-Governor	783	695708	Gear-Pinion	965	499613	Cover-Oil Pump
617	697891	Seal-O Ring	788	691039	Bracket-Fuel Pump	967	273638S	Filter-Pre Cleaner
628	691108	Screw (Fuel Pump Bracket)	788A	793145	Bracket-Fuel Pump Used on Type No(s). 0100, 0113.	968A	790689	Cover-Air Cleaner (Used Before Code Date 06103000 and After Code Date 04080300).
633	◆690998	Seal-Choke/Throttle Shaft	789A	790544	Harness-Wiring	968B		Cover-Air Cleaner (Used Before Code Date 04080400). (No Longer Available. Use Kit 304B)
633A	695414	Seal-Choke/Throttle Shaft Used on Type No(s). 0113.	789B	698330	Harness-Wiring	968C	791242	Cover-Air Cleaner (Used After Code Date 06102900).
635	66538S	Boot-Spark Plug	789D	691220	Harness-Wiring	975	499810	Bowl-Float
654	690958	Nut (Carburetor)	797	693167	Nut (Brush Retainer)	975B	699502	Bowl-Float Used on Type No(s). 0113.
668	691215	Spacer	798	697890	Screw (Rocker Arm)	977	699735	Gasket Set-Carburetor (Used After Code Date 04080300).
672	◆690234	Gasket-Carburetor Plate	801	691283	Cap-Drive			----- <b>Note</b> -----
691	★790574	Seal-Governor Shaft	802	691286	Cap-End			<b>499812</b> Gasket Set-Carburetor (Used Before Code Date 04080400).
695	693149	Screw (Ring Gear)	842	★691031	Seal-O Ring (Dipstick Tube)	987	◆691000	Seal-Throttle Shaft
697	690372	Screw (Drive Cap)	847	499602	Dipstick/Tube Assembly	987A	699813	Seal-Throttle Shaft Used on Type No(s). 0113.
703	691010	Clip	850	100100	Sealant-Silicone	1005	791236	Fan-Flywheel (Used After Code Date 06102900).
718	690959	Pin-Locating	851	493880S	Terminal-Spark Plug			----- <b>Note</b> -----
726	499612	Gear-Ring	855	691011	Adapter-Air Cleaner			<b>790698</b> Fan-Flywheel (Used Before Code Date 06103000 and After Code Date 04080300).
			855A	698072	Adapter-Air Cleaner			<b>499603</b> Fan-Flywheel (Used Before Code Date 04080400).
			865	691012	Cover-Air Guide (Cylinder 1)			
			865A	793205	Cover-Air Guide (Cylinder 2)			
			865B	691015	Cover-Air Guide (Valley)			
			868	★△690968	Seal-Valve			
			877C	399916	Wire/Connector- Alternator (10-16 Amp Regulated)			
			878C	398661	Harness-Alternator			
			883	★△690970	Gasket-Exhaust			
			914	691127	Screw (Rocker Cover)			
			918	694000	Hose-Vacuum			
			929	695239	Screw (Choke Control Bracket) (Used With Plastic Intake Manifold)			

★ Included in Engine Gasket Set-Ref. No. 358.

● Included in Carburetor Overhaul Kit-Ref. No. 121.

◆ Included in Carburetor Gasket Set-Ref. No. 977.

△ Included in Valve Gasket Set-Ref. No. 1095.

**Illustrations cover a range of engines. Parts shown without corresponding text may not be used on your specific engine.**

5572-12

Assemblies include all parts shown in frames.

11/24/2008

REF. NO.	PART NO.	DESCRIPTION	REF. NO.	PART NO.	DESCRIPTION	REF. NO.	PART NO.	DESCRIPTION
1013	690954	Nipple-Oil Filter	1036		Label-Emissions	1124	◆◆690988	Seal-O Ring (Fuel Transfer Tube)
1017	690770	Screen-Oil Pump	1040	791237	Plate-Trim	1126	690991	Screw (Fuel Transfer Tube)
1019	790094	Kit-Label	1051	691265	Ring-Retaining	1127	690992	Screw (Float Bowl)
1022	★△690971	Gasket-Rocker Cover	1054	280275	Tie-Cable	1127A	695407	Screw (Float Bowl) Used on Type No(s). 0113.
1023	793146	Cover-Rocker (Cylinder 1) (Used After Code Date 06090400).	1058	276352	Operator's Manual (Emission)	1128	◆690990	Screw (Carburetor Nozzle)
		----- Note -----	1059	698516	Kit-Screw/Washer	1169A	693140	Screw (Carburetor Cover Plate)
		499599 Cover-Rocker (Cylinder 1) (Used Before Code Date 06090500).	1070	690372	Screw (Flywheel Fan)	1319	794467	Label-Warning
1023A	499600	Cover-Rocker (Cylinder 2)	1090	691293	Retainer-Brush	1330	273521	Repair Manual
1024A	794644	Pump-Oil	1095	694013	Gasket Set-Valve	1342	699731	Extension-Fuel Transfer Tube
1026	690981	Rod-Push (Steel)	1100	791959	Pivot-Rocker Arm	1353	699725	Seal-O Ring (Fuel Transfer Tube Extension)
1026A	690982	Rod-Push (Aluminum)	1119	691183	Screw (Alternator)			
1027	492932S	Filter-Oil	1123	◆◆699725	Seal-O Ring (Solenoid Retainer) (Used After Code Date 04080300).			
1027A	696854	Filter-Oil			----- Note -----			
1029	690972	Arm-Rocker			690987 Seal-O Ring (Solenoid Retainer) (Used Before Code Date 04080400).			
1035	691042	Shaft-Pump (Used Before Code Date 07022600). Used After Date Code 07022500 Must Use Kit 1024A).						

★ Included in Engine Gasket Set-Ref. No. 358.

● Included in Carburetor Overhaul Kit-Ref. No. 121.

◆ Included in Carburetor Gasket Set-Ref. No. 977.

△ Included in Valve Gasket Set-Ref. No. 1095.

**Illustrations cover a range of engines. Parts shown without corresponding text may not be used on your specific engine.**

5572-13

Assemblies include all parts shown in frames.

11/24/2008

Not for  
Reproduction

Not for  
Reproduction

Not for  
Reproduction





## Free Manuals Download Website

<http://myh66.com>

<http://usermanuals.us>

<http://www.somanuals.com>

<http://www.4manuals.cc>

<http://www.manual-lib.com>

<http://www.404manual.com>

<http://www.luxmanual.com>

<http://aubethermostatmanual.com>

Golf course search by state

<http://golfingnear.com>

Email search by domain

<http://emailbydomain.com>

Auto manuals search

<http://auto.somanuals.com>

TV manuals search

<http://tv.somanuals.com>