

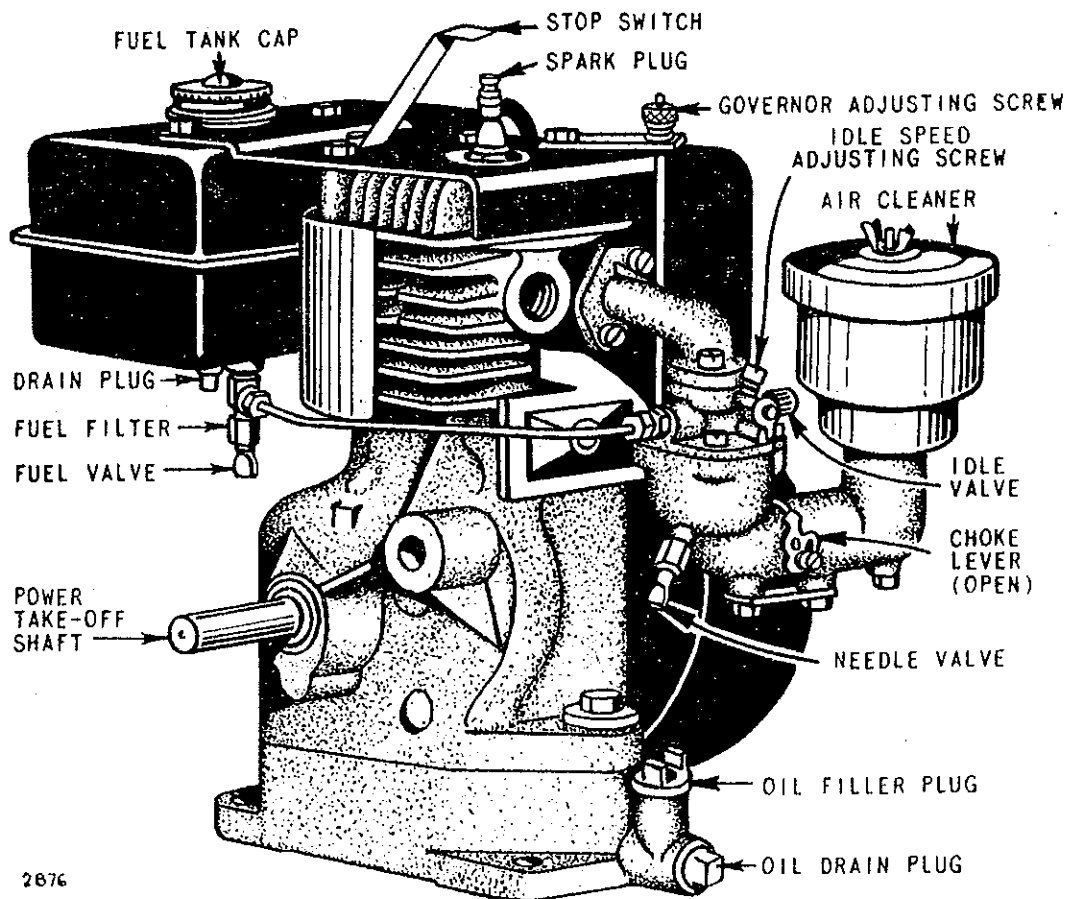
# OPERATING INSTRUCTIONS

Adjustment and Repair  
Instructions • Parts List



## MODELS

"6"—"6F"—"6FB"—"6FBC"  
"6FBP"—"6R4D"—"6R-6"



2876

# IMPORTANT SAFETY INFORMATION AND INSTRUCTIONS FOR ENGINE SELECTION ENGINE INSTALLATION ENGINE OPERATION

In the USA and Canada,  
our 24 hour hotline is:

18002333723

Briggs & Stratton Corporation  
Milwaukee, Wisconsin 53201

[www.briggsandstratton.com](http://www.briggsandstratton.com)

Keep these instructions for future reference.



**Before installing and operating this engine read and observe all warnings, cautions and instructions on both sides of this sheet, on the engine, and in the operating & maintenance instructions.**

**NOTE:** This sheet of instructions and safety information is not meant to cover all possible conditions and situations that may occur. Read entire Operating & Maintenance Instructions for this engine AND the instructions for the equipment this engine powers. Failure to follow instructions and safety information could result in serious injury or death.

The safety alert symbol () is used to identify safety information about hazards that can result in personal injury.

A signal word (DANGER, WARNING, or CAUTION) is used with the alert symbol to indicate the likelihood and the potential severity of injury. In addition, a hazard symbol may be used to represent the type of hazard.

 **DANGER** indicates a hazard which, if not avoided, will result in death or serious injury.

 **WARNING** indicates a hazard which, if not avoided, could result in death or serious injury.

 **CAUTION** indicates a hazard which, if not avoided, might result in minor or moderate injury.

**CAUTION**, when used **without** the alert symbol, indicates a situation that **could result in damage to the engine.**

## HAZARD SYMBOLS AND MEANINGS



Fire



Explosion



Moving Parts



Toxic Fumes



Hot Surface



Shock



Kickback

(OVER)

FORM MS-6445-01/03

# ENGINE SELECTION

 <b>WARNING</b>

<b>Failure to select the correct engine could result in fire or explosion.</b>

- Some engines are unique and designed for specific applications or types of equipment. If this engine will be used to build new equipment, contact Briggs & Stratton to ensure that the engine is appropriate for the intended use.  
**Note: For all Go-karts use only a model 136200 series engine, which offers improved safety and performance.**
- Replacement engines should be the same model as the original engine, or be the Briggs & Stratton designated replacement engine. Refer to the Operation & Maintenance Instructions for engine identification information.  
**Note: For all Go-karts use only a model 136200 series engine, which offers improved safety and performance.**
- Do not use Briggs & Stratton engines on 3-wheel All-Terrain Vehicles (ATVs), motor bikes, air craft products, or vehicles intended for use in competitive events. Briggs & Stratton does not approve of or authorize such uses.

# ENGINE INSTALLATION

- [1] Do not attempt to install this engine if you do not have the appropriate tools and knowledge of small engine installation procedures. Use only Briggs & Stratton parts. Contact your Authorized Service Dealer for assistance.
- [2] Do not modify the engine in any way without Briggs & Stratton factory approval. Any such modification is at the owner's sole risk.
- [3] If the exhaust system on the old engine was supplied by the equipment manufacturer, you must transfer the exhaust system and related components (original muffler and related pipes, brackets, clamps, and shields) to the new engine. All components must be in good condition.
- [4] 

 <b>WARNING</b>	Install muffler (and muffler deflector if used) so outlet points away from operator, fuel tank, and equipment, and so muffler heat will not damage or deform engine and components.
	
- [5] 

 <b>WARNING</b>	Ensure all fuel lines and fittings are properly assembled and do not leak. Replacement parts must be the same model as the original.
	
- [6] 

 <b>WARNING</b>	Ensure all wiring, including safety switches and engine shut-off components are completely installed and functioning properly.
	
- [7] Set engine speed to equipment manufacturer's specification. Refer to equipment manufacturer's manual. Do not tamper with governor springs, or other parts that will increase engine speed above specification.

- [8] 







 <b>WARNING</b>	All engine parts, including fuel cap, spark plug, muffler, air cleaner, and covers and guards for drive components (gears, belts, shafts, couplings, etc.) must be in place before attempting to start engine.
	
- [9] 

 <b>WARNING</b>	If engine is installed on walk behind lawn mower, all mower components, including cutting blade, must be correctly installed before attempting to start engine.
	
- [10] 

 <b>WARNING</b>	When working on the engine or equipment, remove spark plug wire from spark plug. For electric start, remove negative wire from battery.
	
- [11] 

 <b>WARNING</b>	Do not check for spark with spark plug removed. Use Briggs & Stratton spark tester #19368.
	

# ENGINE OPERATION

	 <b>WARNING</b>
	<b>When adding fuel:</b>
<p>Turn engine off and let engine cool at least 2 minutes before removing gas cap.</p> <p>Fill fuel tank outdoors or in well-ventilated area. Fill tank to about 1 inch below lowest portion of neck to allow for fuel expansion.</p> <p>Keep gasoline away from sparks, open flames, pilot lights, heat, and other ignition sources.</p>	
	 <b>WARNING</b>
	<b>When starting engine:</b>
<p>Remove all external equipment/engine loads.</p> <p>Wait until spilled fuel is evaporated. Start engine outdoors.</p> <p>Pull cord slowly until resistance is felt, then pull rapidly.</p> <p>If engine floods, set choke to OPEN/RUN, place throttle in FAST and crank until engine starts.</p>	
	 <b>WARNING</b>
	<b>When operating equipment:</b>
<p>Do not tip engine or equipment at angle which causes gasoline to spill.</p> <p>Run engine outdoors. Do not run in enclosed area, even if doors or windows are open.</p> <p>Do not choke carburetor to stop engine.</p>	

# IMPORTANT!

**Read these instructions carefully before operating this Engine for the first time.**

Guessing how to run it may cause you unnecessary inconvenience, aggravation, or failure to receive the fine service that is built into it.

**There is a right way to operate this Engine. This book tells you how.**

Each Engine is carefully tested and adjusted at the factory before packing for shipment, and with reasonable care should give you many years of satisfactory service.

**DO NOT START THIS ENGINE UNTIL YOU HAVE READ CAREFULLY THE INSTRUCTIONS ON PREPARING AND USING THE ENGINE, PAGES 3 TO 5.**

For Maintenance Adjustments, see pages 6 to 9.

If you have difficulty in operating your engine and you need outside help, contact your dealer or nearest member of our Authorized Service Organization. See back cover.

Briggs & Stratton manufactured only the engine on your powered equipment. For other service or parts, write to the manufacturer of the complete equipment or see the dealer from whom purchased.

## CAUTION!

1. **PROVIDE EFFICIENT VENTILATION.** Exhaust gases contain carbon monoxide which is odorless and a deadly poison. Proper care must be taken to provide efficient ventilation.
2. **DO NOT FILL GASOLINE TANK WHILE ENGINE IS RUNNING.** Avoid spilling gasoline on a hot engine — this may cause an explosion and serious injury.
3. **KEEP ENGINE CLEAN.** This engine is air-cooled. If cooling system becomes clogged, serious damage may result. Therefore, keep the blower screen, fins on flywheel, cylinder head and block free from grass or dirt.
5. **Be sure nobody is behind you when starting engine with rope starter.**

## GENERAL INFORMATION

This engine is a single cylinder, L-Head air-cooled type; bore 2" and stroke 2". It is rated at:

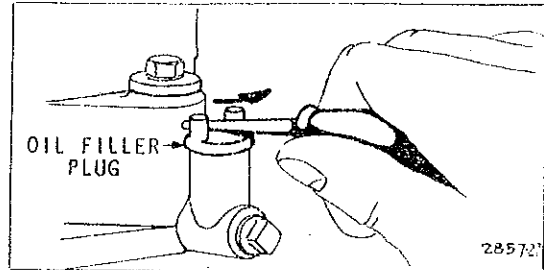
1.58 h.p. at 2600 r.p.m.    1.87 h.p. at 3100 r.p.m.    2.00 h.p. at 3600 r.p.m.

The horsepower ratings listed above are established by standard I.C.E.I. procedures. For practical operation, the horsepower loading should not exceed 85 per cent of these ratings. Engine power will decrease 3½ per cent for each 1,000 feet above sea level, and 1 per cent for each 10 degrees above 60 degrees F.

# PREPARATION OF ENGINE BEFORE STARTING

## Fill Crankcase With Oil

Remove the oil filler plug. Use a screwdriver or bar. Place the engine level. Fill the crankcase to the top of the filler pipe.



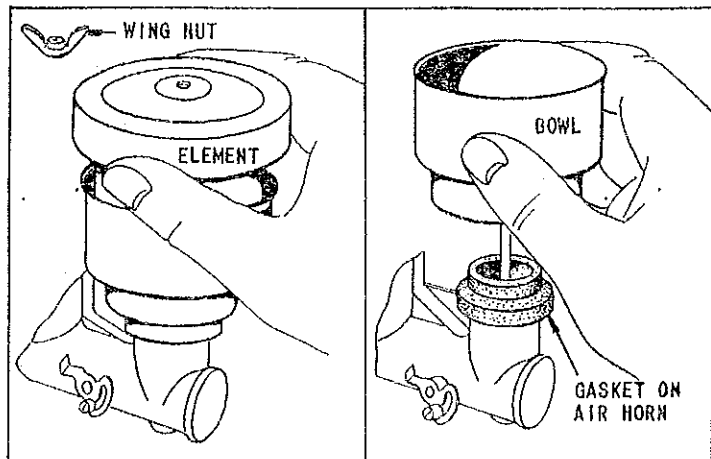
For temperatures 32° and above use Mobiloil Arctic S. A. E. No. 20 or equal.

For temperatures below 32° use Mobiloil 10W (S. A. E. No. 10W) or equal.

For temperatures below 0° add 1% of kerosene to the S. A. E. 10W oil for each degree below 0° but do not add more than 30%.

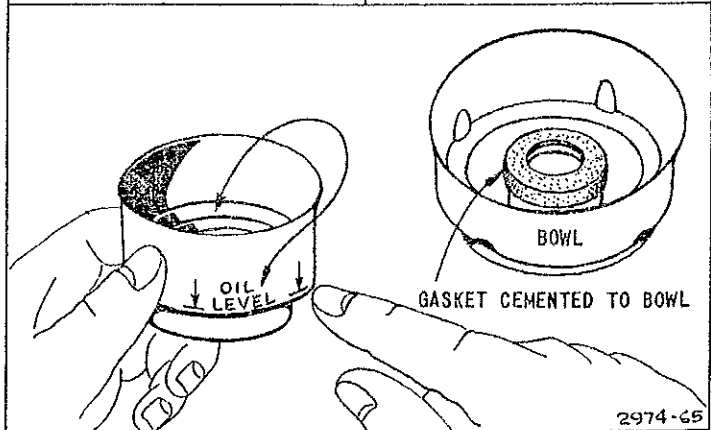
## Put Oil In Air Cleaner

Air cleaner protects engine from grit and dirt. Use the same oil as in the crankcase. Remove wing nut. Lift out filter element. Lift off bowl. Pour oil in small bottom part of bowl to "oil level" mark at end of arrows. Replace bowl, element, and wing nut. Be sure gaskets are in place.



## Fill Fuel Tank

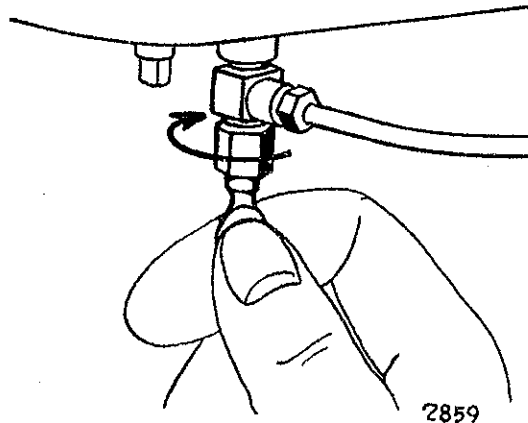
Use a good grade of regular, clean, fresh gasoline such as Mobilgas. *Never use gasoline that has been standing in a can for several months as gum may form under such conditions and may clog the carburetor, fuel tank, etc.* See that vent hole in cap is open. **DO NOT MIX OIL WITH GASOLINE.**



# USING THE ENGINE

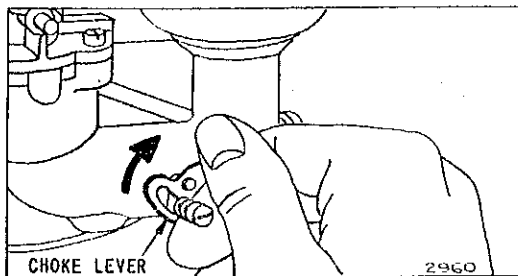
## To Start Engine

### 1. Open Fuel Valve



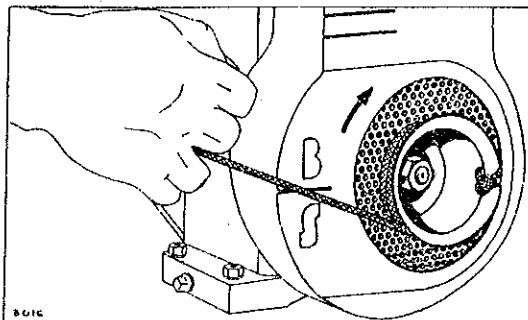
### 2. Close the Choke

Move lever in direction of arrow.



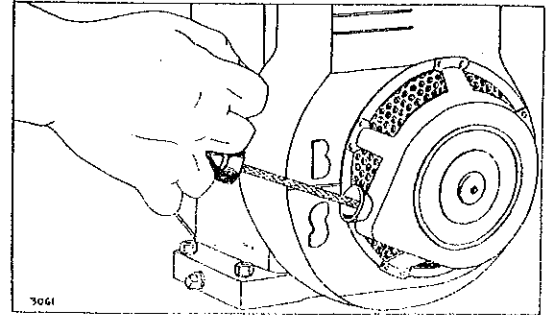
### Rope Starter

Wind the starter rope around the pulley in direction shown by arrow. Then turn the pulley in the opposite direction (counterclockwise) until compression is felt. Pull the rope with a quick full arm stroke. Repeat if necessary with choke opened slightly. When engine starts open choke gradually.



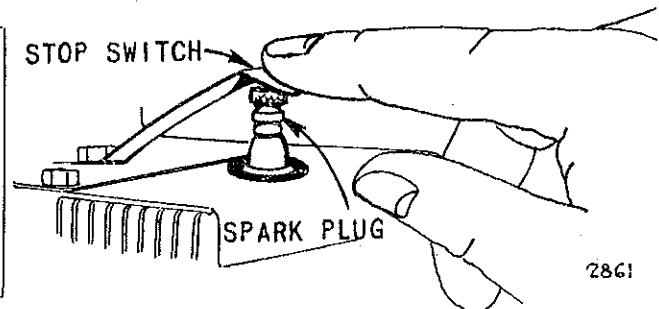
### Rewind Starter

Pull rope out slowly until starter clutch engages, then pull until resistance of compression is felt. Continue to pull slowly about 2 or 3 inches until compression ceases. Allow starter rope to recoil and again pull out slowly until starter clutch engages. Then pull with a quick full arm stroke to start engine. Hold starter grip and allow rope to recoil. When engine starts open choke gradually.



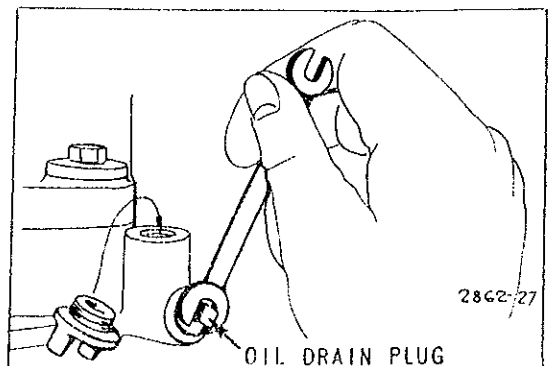
## To Stop Engine

Push the stop switch against the end of spark plug.



## Change Oil (Crankcase)

Change oil after first 5 hours of operation and every 25 hours thereafter. Remove the oil drain plug. Drain oil while engine is warm. Replace drain plug. Remove oil filler plug and refill crankcase with new oil. Replace oil filler plug. Check oil level regularly after each 5 hours of operation.



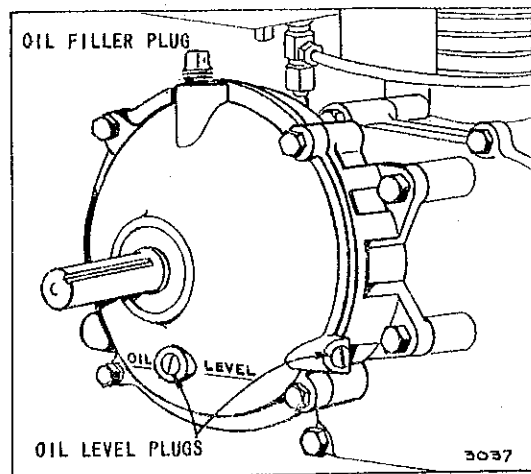
# USING THE ENGINE

## Check Oil (Gear Reduction)

6-TO-1 GEAR REDUCTION MODELS. Remove one of the oil plugs in lower half of gear cover every 100 hours of operation to check the oil level. To refill, pour oil (same grade as used in crankcase) into oil filler hole until oil runs out of lower hole. Replace both oil plugs.

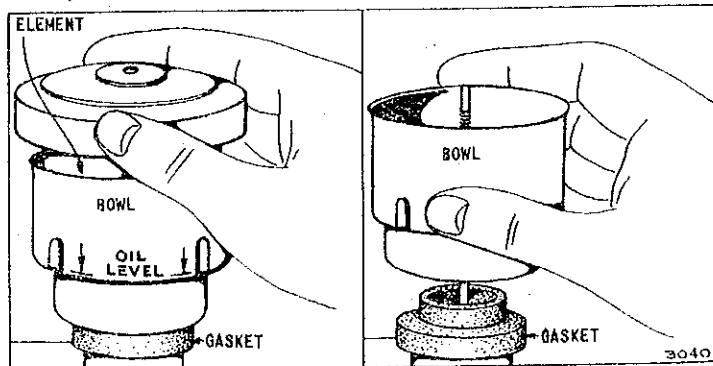
## Change Oil (Air Cleaner)

Check the air cleaner frequently (every hour under extremely dusty conditions). Clean and refill at least every 25 hours.

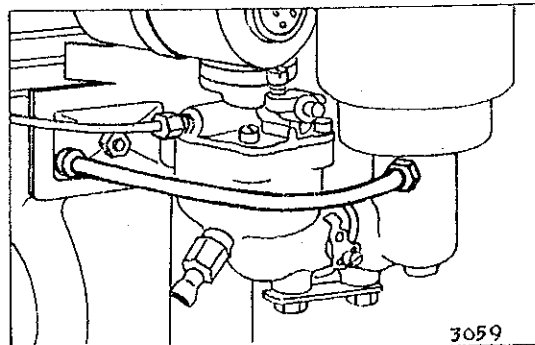


1. Remove Wing Nut
2. Lift Out Element
3. Lift Off Bowl

4. Pour out old oil. Wash the filter element by swishing in gasoline and shake dry. Clean bowl, wipe dry. Replace bowl. Pour in oil to "oil level" mark shown. Replace filter element and wing nut. Be sure gaskets are in place.



**BREATHER VENT KIT (Part No. 293714)**  
To increase the service life of engines operating under very dirty conditions, a Breather Vent Kit, Part No. 293714, should be installed if not already on your engine as original equipment. This will prevent dust and dirt from entering the engine through the valve cover. Complete instructions are included with each kit.



## STORAGE INSTRUCTIONS

Engines stored any length of time should be completely drained of fuel to prevent gum deposits forming on essential parts such as the carburetor, fuel filter, fuel lines, and tank.

Such deposits may affect the operation of the engine when again used. Therefore, it is important that the following instructions be adhered to before storing the engine:

- a. Remove fuel tank drain plug. Open fuel valve. Drain tank completely.
- b. Operate engine until it stops from

exhaustion of fuel to clean gasoline out of carburetor.

- c. While the engine is still warm, drain and clean the crankcase. Refill with fresh oil.

- d. Replace fuel tank drain plug.

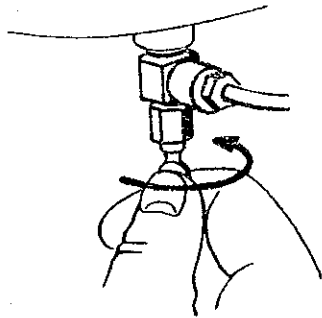
- e. Leave fuel valve open.

- f. Remove spark plug, pour one ounce of S. A. E. No. 20 oil into cylinder and crank slowly to spread oil. Replace spark plug.

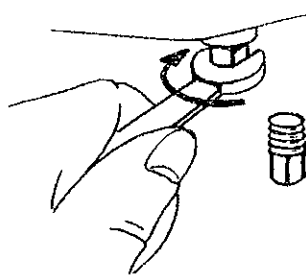
- g. Clean dirt and chaff from cylinder and cylinder head fins, blower housing, etc.

# MAINTENANCE ADJUSTMENTS

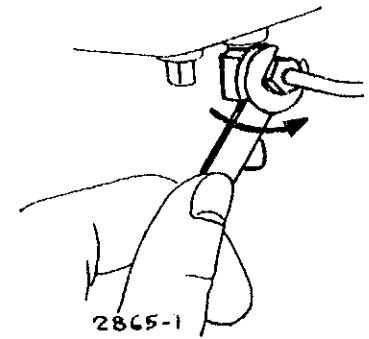
## Draining Fuel Tank and Cleaning Fuel Filter



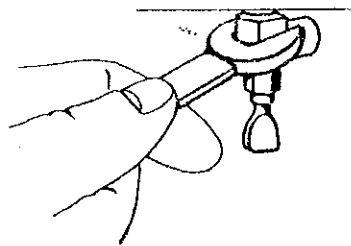
1. Close Fuel Valve



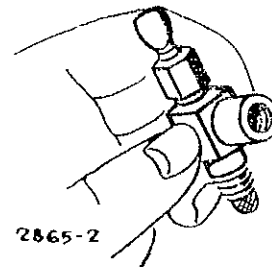
2. Remove Fuel Tank Drain Plug



3. Detach Fuel Pipe



4. Remove Fuel Filter From Fuel Tank

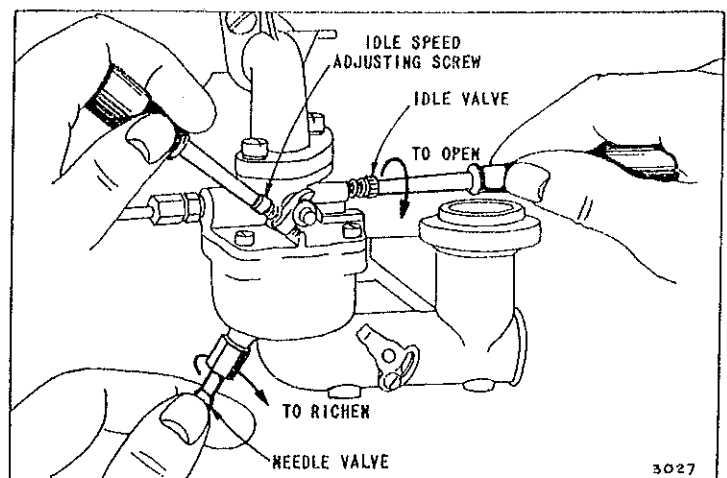


5. Clean With Gasoline. Screen Not Removable. Replace Filter, Pipe Plug, and Fuel Line.

## Carburetor Adjustments

Close the needle valve carefully to avoid damaging it. Then open it  $1\frac{1}{2}$  turns. Close the idle valve. Open it  $\frac{1}{2}$  to  $\frac{3}{4}$  turn. Start engine and allow it to warm up.

Turn needle valve in until engine misses, then turn it out past smooth operating point until engine runs unevenly. Now turn needle valve in just far enough so engine runs smoothly.



Set idle speed adjusting screw until engine idles at 1750 R.P.M. Hold throttle in idle position. Turn idle valve in or out until engine picks up speed and runs smoothly. Then again reset idle speed adjusting screw to bring engine to 1750 R.P.M. idling speed. Release throttle. Engine should accelerate without hesitation or sputtering. If it does not accelerate properly, the needle valve should be reset, usually to a richer mixture.



# MAINTENANCE ADJUSTMENTS

## Governor and Adjustments

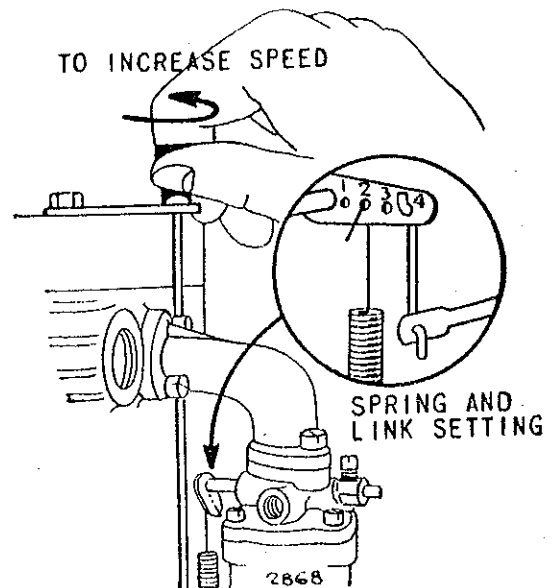
There are two different types of governors used on these engines. They are air vane and mechanical governors. The correct operating speed range is 2600 to 3600 R.P.M. The standard speed setting (no load) is 3300 R.P.M. Idle speed is 1750 R.P.M.

### Air Vane Governor Adjustments

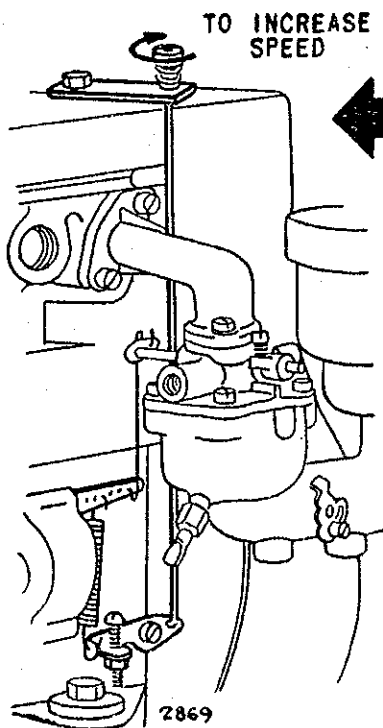
#### SPEED CONTROL

Speed adjusting thumb nut is located on top of engine. To increase speed turn thumb nut counterclockwise.

NOTE: Top loop of spring should be hooked in No. 2 hole of throttle lever. Should closer governing be required, move spring hook to No. 1 hole. If throttle oscillates move spring to No. 3 hole.

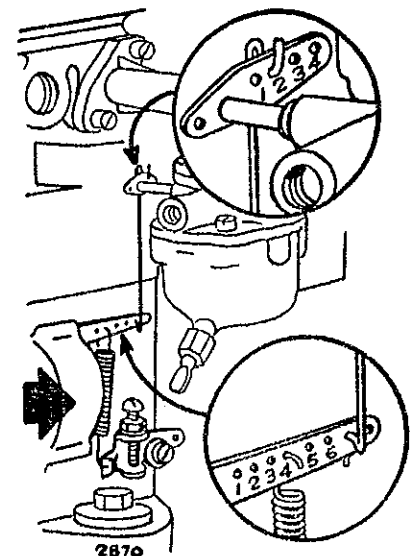


### Mechanical Governor Adjustments



Speed adjusting thumb nut is located on top of engine. To increase speed turn adjusting thumb nut clockwise.

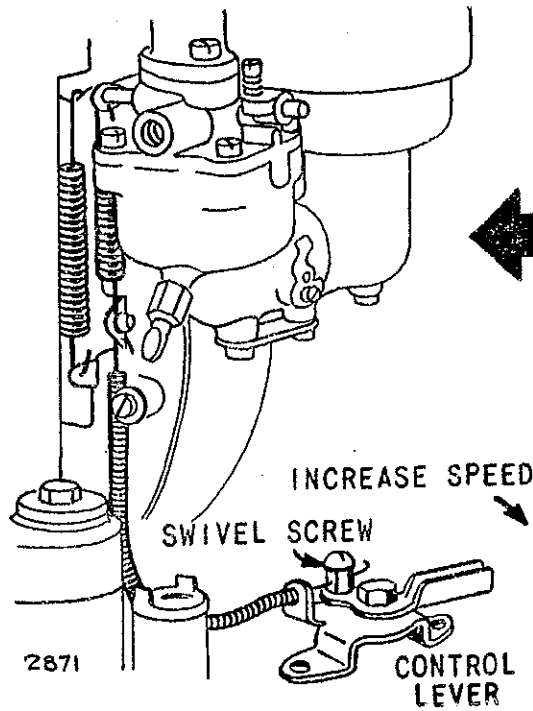
NOTE: Link should be hooked in No. 2 hole of carburetor throttle lever and spring loop should be in No. 4 hole of governor lever. For closer governing, move spring to No. 3, 2, or 1 holes in governor lever. (See drawing below.)



Speed adjusting screw is sometimes located below carburetor. To increase speed loosen nut and turn adjusting screw down. To reduce speed turn screw up.

# MAINTENANCE ADJUSTMENTS (Cont'd)

## Remote Governor Control

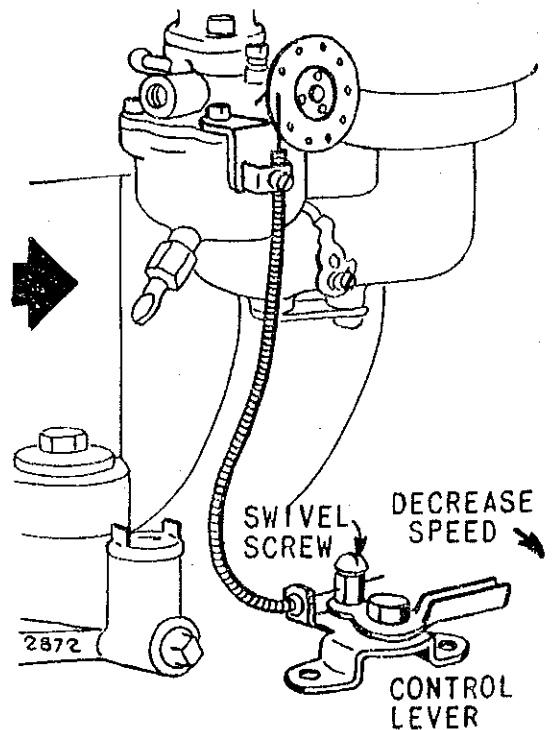


Engine speed is controlled by movement of the control lever as shown. Move control lever to HIGH speed position. Loosen screw on swivel. Move wire through swivel until desired operating speed is obtained. Retighten swivel screw, bend loose end of wire around swivel. Cut off excess wire.

## Remote Throttle Control

Top speed of the engine is controlled by the governor. All other speeds from idle to top speed are controlled by a remote control lever at some distance from engine.

Move control lever to LOW speed position. Loosen screw on swivel. Move wire through swivel until carburetor throttle closes. Tighten swivel screw, bend loose end of wire around swivel. Cut off excess wire.



### IMPORTANT NOTICE

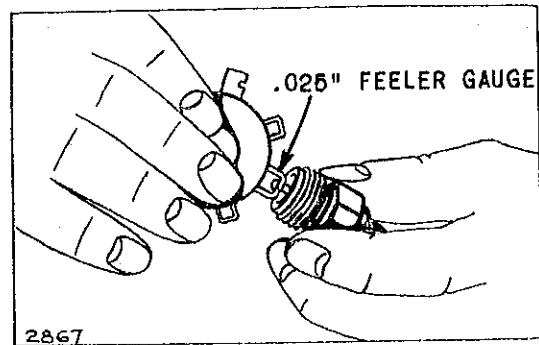
This book includes only necessary information for running your engine. Unless you have a thorough knowledge of internal combustion engines and proper tools, we do not recommend that you attempt to make major engine repairs. This does not mean that you shouldn't make necessary adjustments and simple repairs. For parts or service we advise you to get in touch with the nearest member of our Nation-wide Service Organization described on page 35 or refer to your classified telephone directory.

If detailed repair information is desired, a Repairman's Handbook may be obtained from the factory at \$1.00 per copy. Be sure to specify Model, Type, and Serial Number of your engine when ordering.

# MAINTENANCE ADJUSTMENTS (Cont'd)

## To Check Spark Plug Gap

Spark plug is 14mm (USE CHAMPION NO. J-8 OR EQUIVALENT). Keep a fresh plug on hand. Clean and reset the gap at .025" every 100 hours of operation. Use some graphite grease on threads when replacing spark plug.



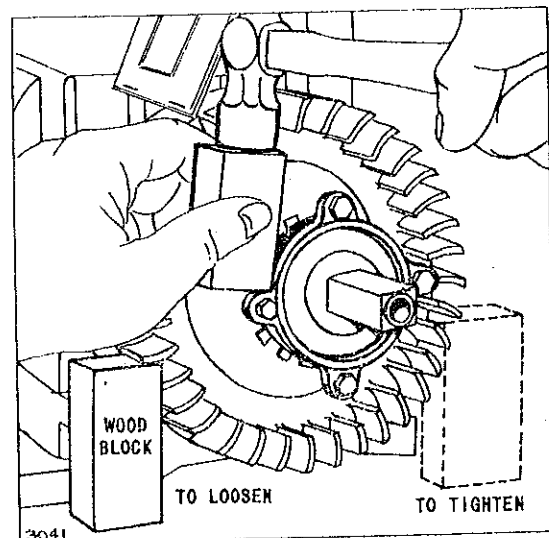
## To Adjust and Clean Contact Points

Blower housing, flywheel, and magneto point dust cover must be removed.

## To Remove Flywheel

### Rewind Starter

Take off blower housing with starter attached. Remove 4 screws and screen from clutch housing. Replace screws in housing. Place a block of wood under fin on left side of flywheel. Hold a block of wood in close against one of the screw lugs. Use a hammer and drive clutch housing to the LEFT to loosen it.

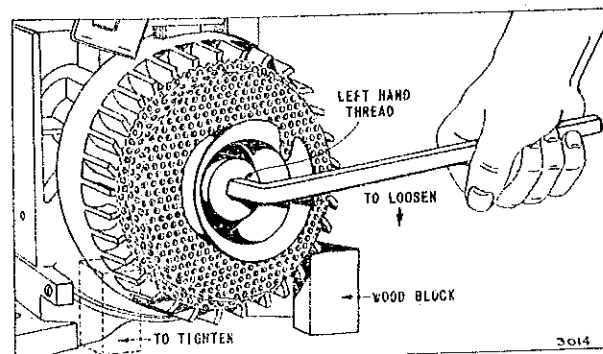


### Rope Starter

Remove blower housing. Place a block of wood under flywheel fin on the right side, close to the flywheel to hold it solid. Use a large wrench, turn to right to loosen. Crankshaft has LEFT hand thread.

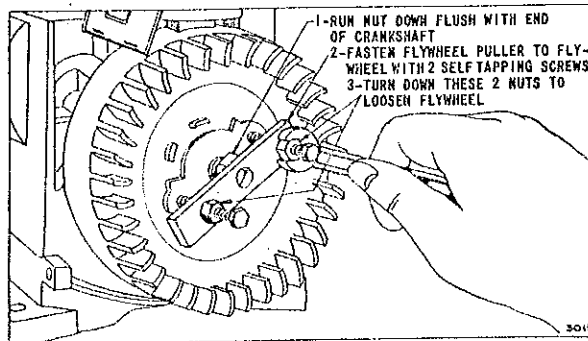
### Never Try to Pry Off Flywheel

After removing nut, washer and pulley, loosen flywheel by using Flywheel Puller No. 19069.



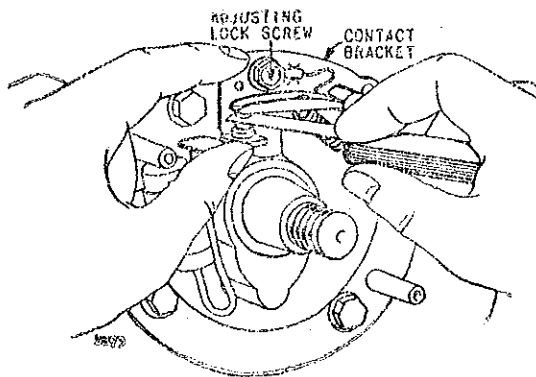
# MAINTENANCE ADJUSTMENTS (Cont'd)

## To Remove Flywheel With Flywheel Puller



Screw the nut back on shaft until it is flush with threads. Fasten flywheel puller to flywheel by screwing two self-tapping screws into holes provided in flywheel. Turn down the two nuts gradually until flywheel is loosened. Pull off flywheel. Save key.

## To Adjust and Clean Contact Points



Remove dust cover. Points must be clean and line up squarely to make good contact. Do not file points — use fine sandpaper or hone to dress the points. Turn the crankshaft until points open to widest gap, or until keyway on crankshaft lines up with the plunger. Tighten the condenser clamp screw. Move condenser forward or backward with screwdriver until gap of .020" is obtained. If either or both points become badly pitted or burned, replace with

complete new Contact Point Bracket and Condenser. Replace dust cover.

## To Reassemble Flywheel

Clean flywheel hole and tapered end of crankshaft thoroughly. Place keyway of crankshaft up. Put flywheel on shaft and align keyways. Insert the key into keyways and push it securely into place. (If key is partially sheared or damaged, replace with a new key, Part No. 61760. This is a soft metal key. DO NOT USE STEEL KEY.)

### Rewind Starter

Put the spring washer on the crankshaft with hollow side against flywheel; then screw on the clutch housing. (Right hand thread.) Place a wood block under fin on right side of flywheel, hold a block in close against one of the screw lugs on clutch housing. Use heavy blows with a hammer or use Starter Clutch Wrench Nos. 19114 or 19161 to tighten clutch housing securely. Replace screen and then blower housing with starter.

### Rope Starter

Assemble pulley and spring washer with hollow side next to pulley. Put on nut. Place the wood block under fin on left side of flywheel. Apply heavy pressure on wrench — seventy pounds at end of 10" wrench handle — to tighten nut. Replace blower housing.

*Note:* Flywheel key will shear if nut or clutch housing are not properly tightened. All Briggs & Stratton Service Organizations are equipped with special tools to tighten nut and clutch housing.

## PARTS SECTION INDEX

How to Find the Correct Number of Part You Need . . . . . (See below)	Page
Numerical Parts List . . . . .	17-34
Illustrations of Parts Groups:	
Cylinder and Base Parts . . . . .	12
Piston, Connecting Rod, Flywheel, Mechanical Governor, and Gear Reduction Parts . . . . .	13
Fuel System and Blower Housing Parts . . . . .	14
Magneto Parts and Starter Parts . . . . .	15
Accessories for Fuel System . . . . .	16



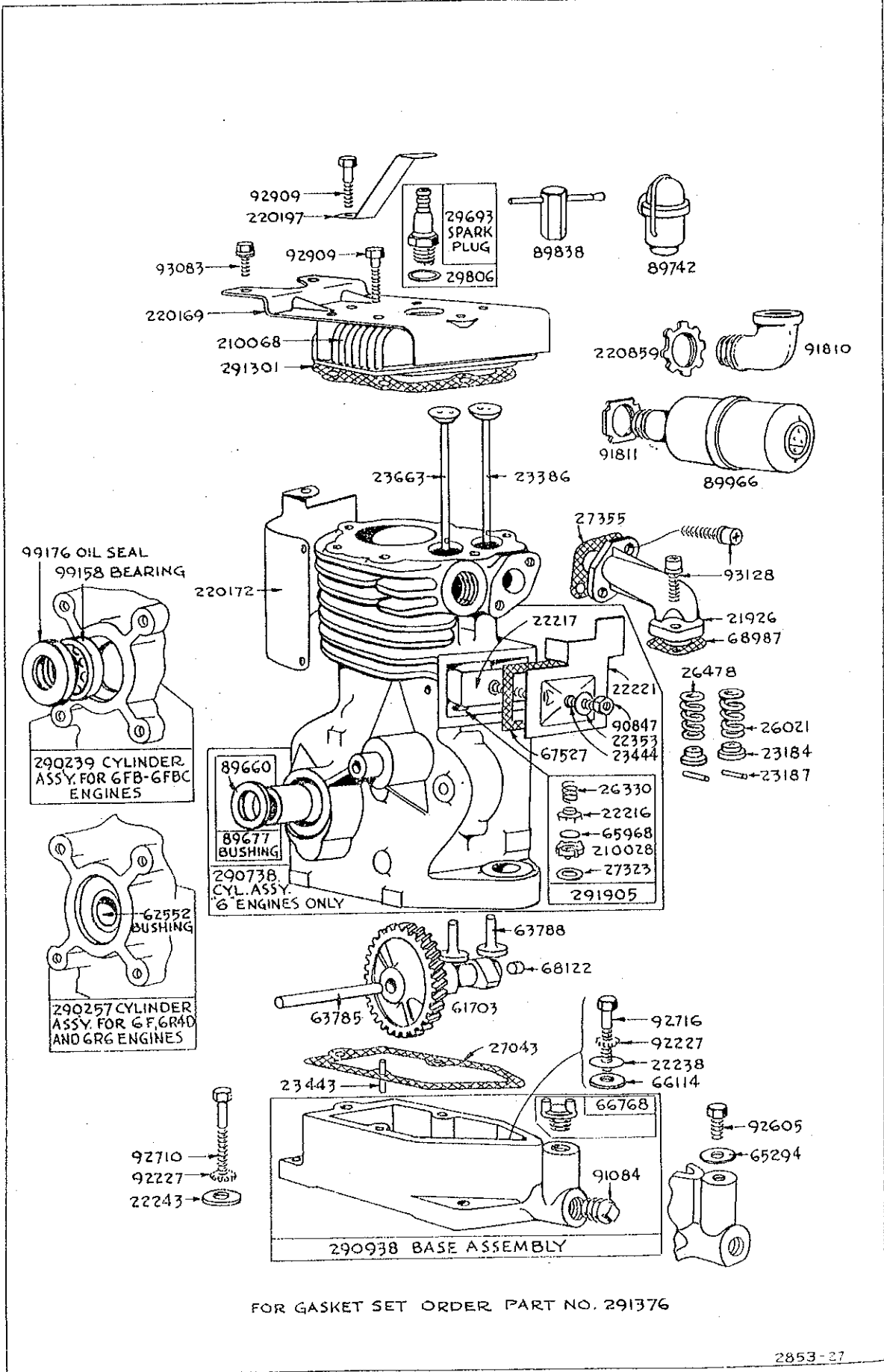
### HOW TO FIND THE CORRECT NUMBER OF THE PART YOU NEED

- a. Make a note of your engine **MODEL AND TYPE NUMBER** (not the Serial Number) that appears on the metal nameplate attached to cylinder shield.
- b. Refer to pages illustrating parts and locate the Master Part Number by comparing your old part with illustrations. Assemblies include all part numbers shown in frames in illustration. All parts shown in assembly frames on which part numbers are given can be purchased separately.
- c. After the Master Part Number has been identified, refer to the following Parts List where these Master Part Numbers are listed in numerical order.

***THE MASTER PART IS USED ON ALL TYPES OF ENGINES EXCEPT THOSE TYPES LISTED UNDER "NOTE."***

- d. If a "Note" appears below the Master Part Number, this means that this part is made differently from the Master Part for certain types, and if your type is listed under "Note" order the part referred to.
- e. If your Engine Type Number does not appear after any part number listed under "Note," order the Master Part Number.
- f. When ordering parts — or writing for service information — always specify the **MODEL NUMBER — TYPE NUMBER — and SERIAL NUMBER** of your engine.
- g. All parts should be ordered from the nearest member of our Nation-wide Service Organization. (See back cover.) In ordering parts by mail, selling prices will be furnished on request or parts will be shipped at prevailing prices.

PARTS SECTION



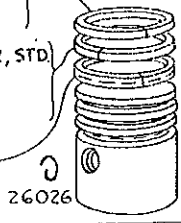
2853-27

CYLINDER AND BASE PARTS

Download from [www.Somanuarts.com](http://www.Somanuarts.com). All Manuals Search And Download.  
Assemblies include all parts shown in frames.

PARTS SECTION

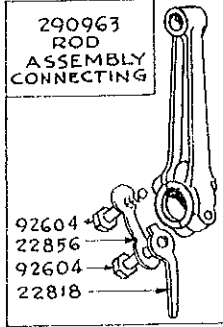
- 21283 - RING, PISTON COMP. TOP, STD.
- 21376 - .010" - OVERSIZE
- 21377 - .020" - "
- 21378 - .030" - "
- 61756 - RING, PISTON COMP. CENTER, STD.
- 61768 - .010" - OVERSIZE
- 61769 - .020" - "
- 61770 - .030" - "
- 61757 - RING, PISTON, OIL, STD.
- 61771 - .010" - OVERSIZE
- 61772 - .020" - "
- 61773 - .030" - "



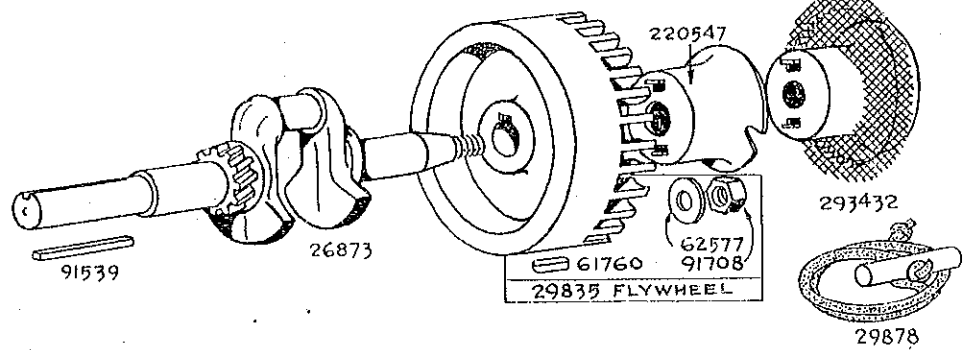
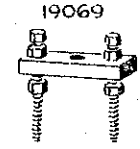
- 290290 - RING SET - STANDARD PISTON
- 290291 - RING SET - .010" - O.S. PISTON
- 290596 - RING SET - .020" - O.S. PISTON
- 290292 - RING SET - .030" - O.S. PISTON

- 89289 - PISTON ASSEMBLY STD.
- 89283 - .010" OVERSIZE
- 89285 - .020" - "
- 89287 - .030" - "

INCLUDES PISTON RINGS AND PISTON PIN LOCKS

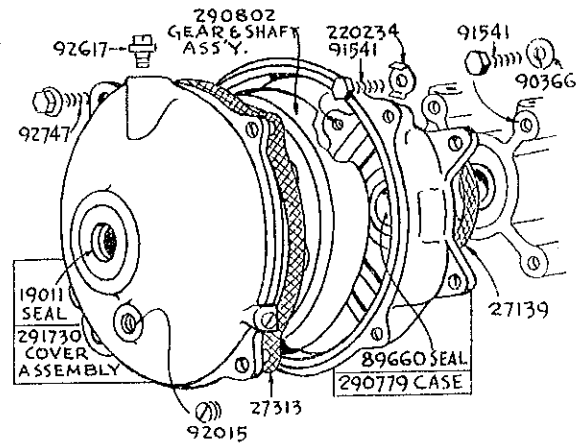
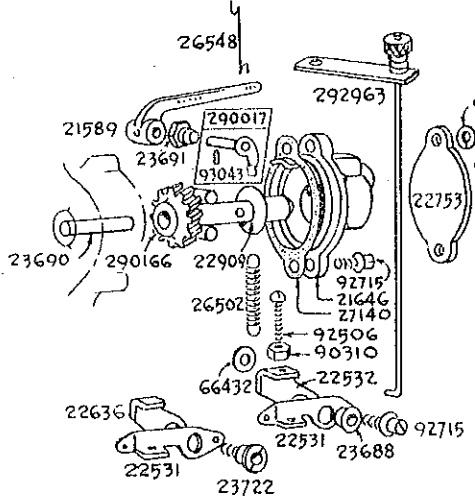


- G 26026
- 290980 PIN ASSY. PISTON STD.
- 290981 PIN ASSY. PISTON, .005" OVERSIZE



MECHANICAL GOVERNOR PARTS

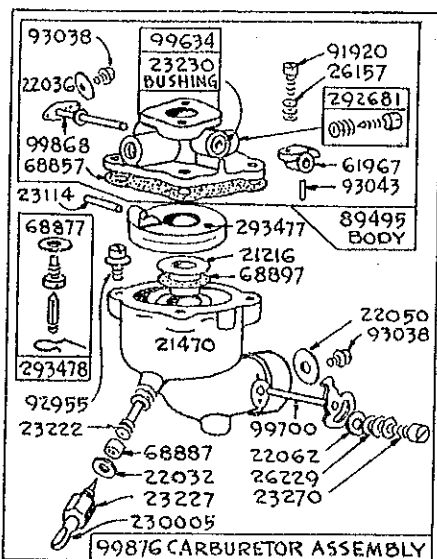
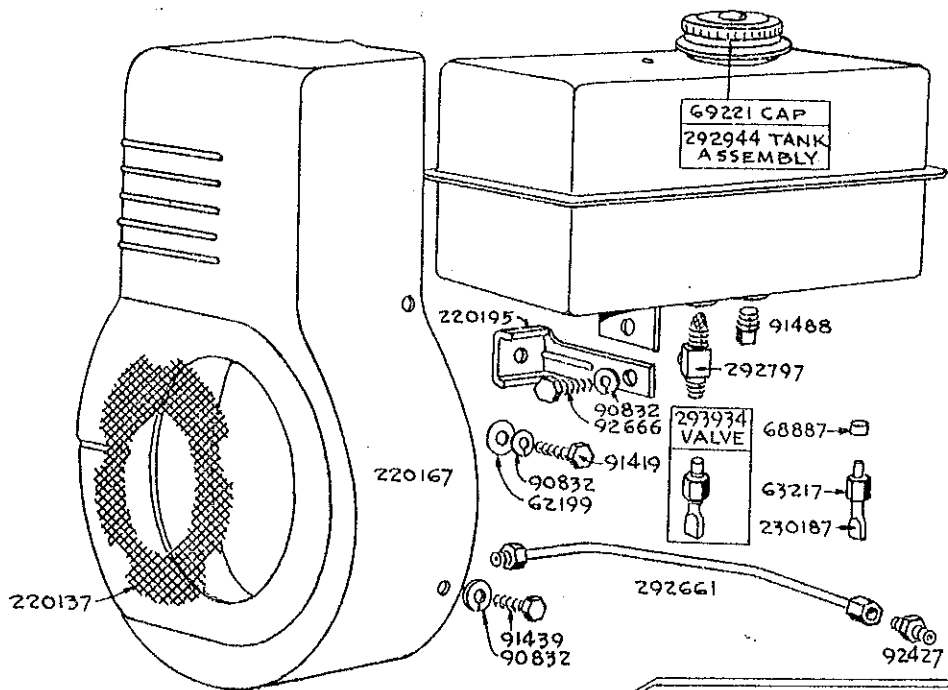
6:1 GEAR REDUCTION PARTS



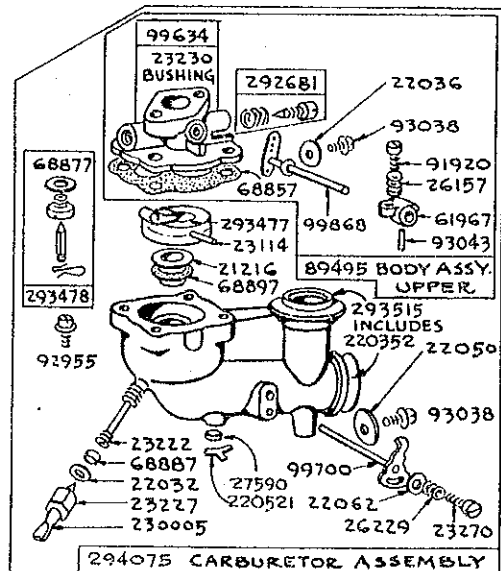
2854-106

PISTON, CONNECTING ROD, FLYWHEEL, MECHANICAL GOVERNOR, AND GEAR REDUCTION PARTS Assemblies include all parts shown in frames.

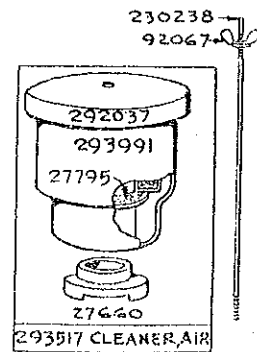
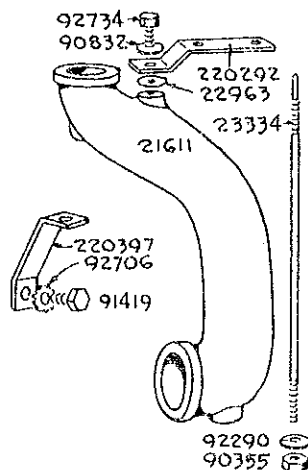
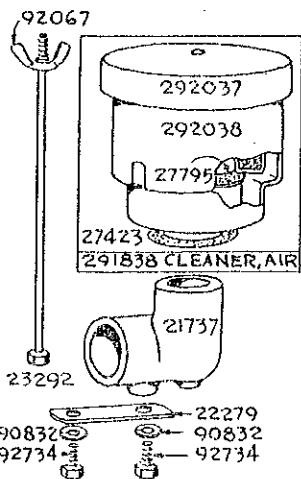
PARTS SECTION



FOR CARBURETOR OVERHAUL KIT ORDER 291691



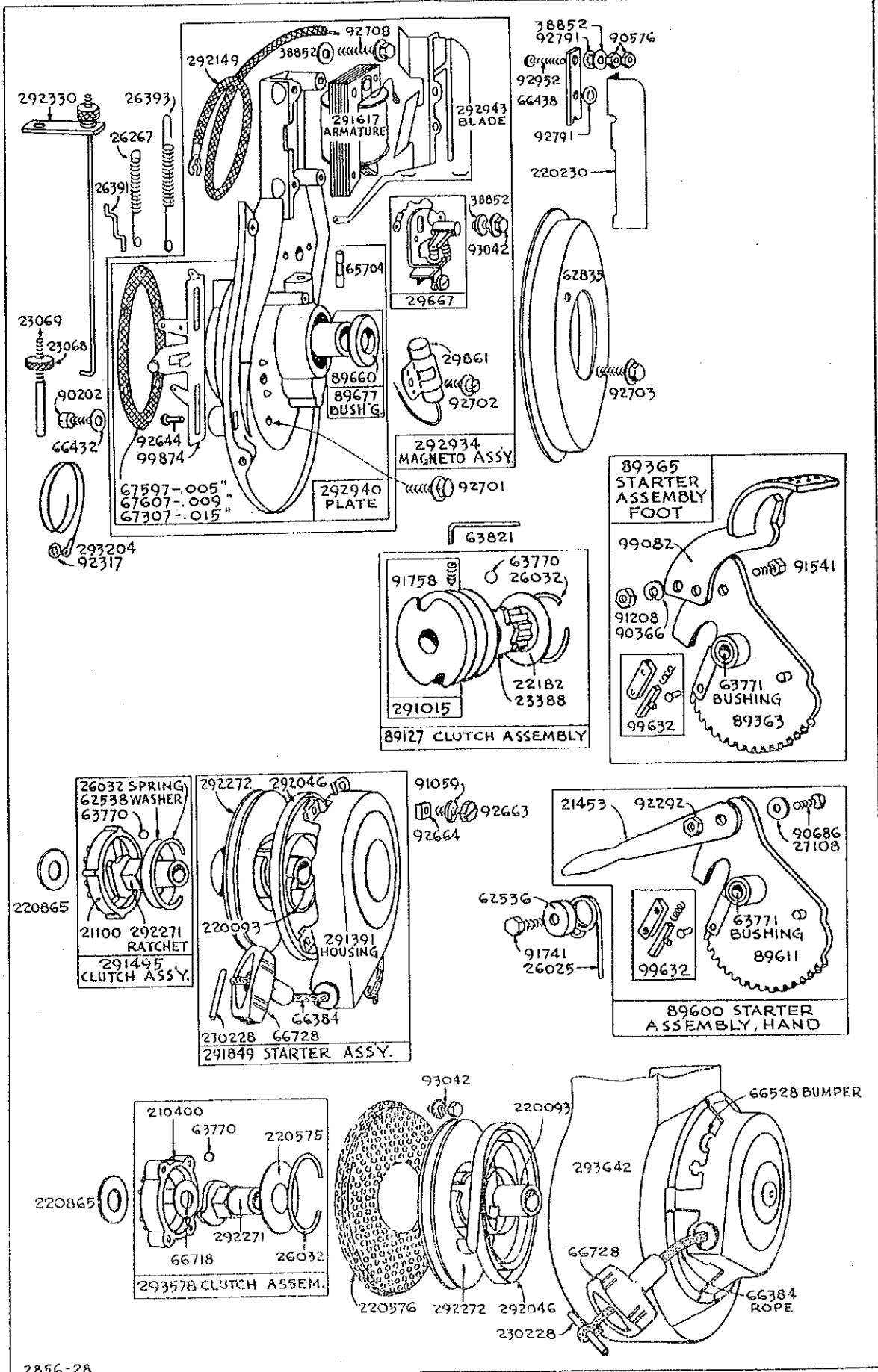
FOR CARBURETOR OVERHAUL KIT ORDER 291691



FUEL SYSTEM AND BLOWER HOUSING PARTS  
Assemblies include all parts shown in frames.



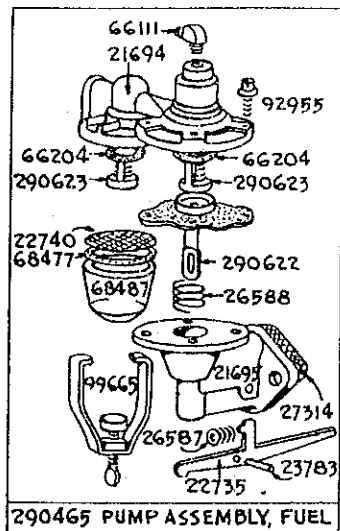
PARTS SECTION



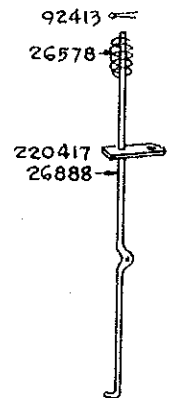
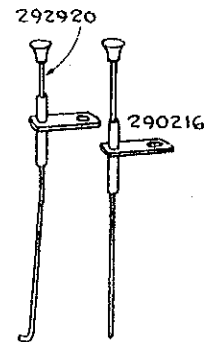
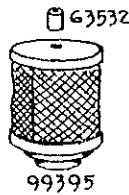
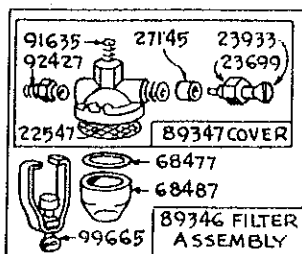
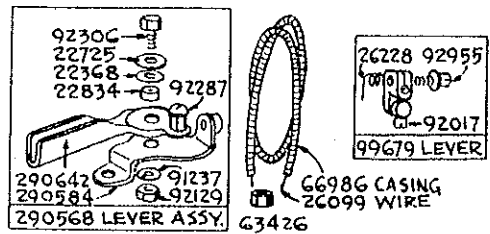
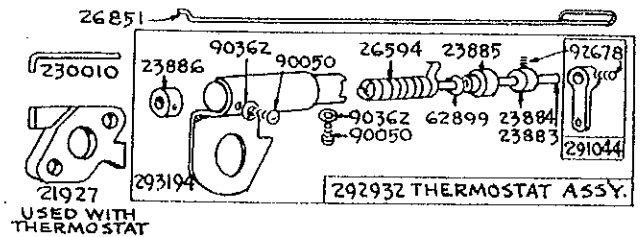
2856-28

MAGNETO AND STARTER PARTS  
Assemblies include all parts shown in frames.

PARTS SECTION



91419 90832



3003-45

ACCESSORIES FOR FUEL SYSTEM  
Assemblies include all parts shown in frames.

PARTS SECTION

NUMERICAL PARTS LIST

MASTER PART NO.	NAME	SHIPPING WEIGHT	
		Lbs.	Oz.
19011	Seal—Oil .....		2
19069	Puller—Flywheel (Optional Accessory) .....		8
21100	Housing—Starter Clutch .....		14
21216	Venturi—Carburetor .....		1
21283	Ring—Piston, Compression, Top—Standard .....		1
21376	Ring—Piston, Compression, Top—.010" O.S. ....		1
21377	Ring—Piston, Compression, Top—.020" O.S. ....		1
21378	Ring—Piston, Compression, Top—.030" O.S. ....		1
21453	Lever—Hand Starter .....	1	
21470	Body—Lower Carburetor .....		6
	<i>Note:</i> No. 99720 Body Assembly—Lower Carburetor .....		6
	Used on type Nos. 105116, 105197, 105893, 106022, 106027.		
	Includes: { No. 90051 Screw—Machine, Rd. Hd.—6-32x $\frac{1}{2}$ " .....		1
	{ No. 90362 Washer—Lock—No. 6x $\frac{3}{4}$ x $\frac{1}{4}$ " .....		1
	No. 201063 Body Assembly—Lower Carburetor .....		6
	Used on type Nos. 106523, 106526, 106529, 106531, 106534, 106536, 106539, 106548.		
	Includes: No. 90051 Screw—Machine, Rd. Hd.—6-32x $\frac{1}{2}$ " .....		1
	No. 91122 Washer—Lock—Shakeproof No: 1206 .....		1
21589	Lever—Governor .....		2
21611	Elbow—Air Cleaner .....		12
	<i>Note:</i> No. 210134 Elbow—Air Cleaner .....		4
	Used on type Nos. 105570, 105571.		
	No. 210349 Elbow—Air Cleaner .....		12
	Used on type Nos. 105104, 105145, 105185, 106035.		
	Uses: { No. 66518 Tubing—Vent .....		1
	{ No. 230252 Fitting—Air Cleaner Pipe .....		2
	No. 210349 Elbow—Air Cleaner .....		12
	Used on type No. 106030.		
	Uses: { No. 23699 Nut—Tubing Fitting .....		1
	{ No. 66518 Tubing—Vent .....		1
	{ No. 230254 Fitting—Tubing .....		2
	{ No. 230256 Fitting—Air Cleaner Pipe .....		2
21646	Housing—Governor .....		6
21694	Head—Fuel Pump .....		6
21695	Body—Fuel Pump .....		6
21727	Elbow—Air Cleaner .....		6
	<i>Note:</i> No. 210351 Elbow—Air Cleaner .....		
	Used on type Nos. 105106, 105159, 105163, 105180, 105193, 105200, 105204, 105205, 105212, 105898, 106034.		
	Uses: { No. 66518 Tubing—Vent .....		1
	{ No. 230252 Fitting—Air Cleaner Pipe .....		2
	No. 210351 Elbow—Air Cleaner .....		6
	Used on type No. 105885.		
	Uses: { No. 23699 Nut—Tubing Fitting .....		1
	{ No. 66518 Tubing—Vent .....		1
	{ No. 230254 Fitting—Tubing .....		2
	{ No. 230256 Fitting—Air Cleaner Pipe .....		2
21926	Elbow—Carburetor Intake .....		6
21927	Spacer—Carburetor Elbow .....		1
	Used only on engines equipped with automatic choke.		
*22032	Washer—Needle Valve Packing .....		1
22036	Valve—Throttle .....		1
22050	Valve—Choke .....		1
	<i>Note:</i> No. 22376 Valve—Choke .....		1
	Used on type Nos. 106523, 106526, 106529, 106531, 106534, 106536, 106539, 106548.		
22062	Washer—Choke Lever .....		1
22182	Washer—Clutch Retainer .....		1
22216	Cover—Breather .....		1

† Included in Carburetor Overhaul Kit — Part No. 291691.

## PARTS SECTION

MASTER PART NO.	NAME	SHIPPING WEIGHT	
		Lbs.	Oz.
22217	Shield—Oil Spray		1
22221	Cover—Valve		6
	<i>Note:</i> No. 220700 Cover—Valve		6
	Used on type Nos. 105186, 105187, 105206, 105208, 105209, 105901, 105903.		
	Uses: No. 66638 Tube—Breather		1
	No. 220879 Cover—Valve		6
	Used on type No. 105213.		
	Uses: No. 60578 Grommet		1
	No. 220754 Support—Breather Tube		1
	No. 230372 Tube—Breather		1
	No. 203328 Cover—Valve		8
	Used on type Nos. 105104, 105106, 105145, 105159, 105163, 105180, 105185, 105193, 105200, 105204, 105205, 105212, 105885, 105898, 106030, 106034, 106035.		
22238	Washer—Cylinder Mounting		1
22243	Washer—Cylinder Mounting		1
22279	Brace—Air Cleaner Elbow		1
*22353	Washer—Valve Cover		1
22368	Washer—Control Lever		1
22531	Lever—Governor Control		1
22532	Stop—Governor Lever		3
22547	Screen—Fuel Filter		2
	<i>Note:</i> No. 62876 Screen—Fuel Filter		1
	Used on type No. 105901.		1
22636	Stop—Governor Lever		2
22725	Washer—Control Lever		1
22735	Lever—Fuel Pump		1
22740	Screen—Fuel Pump Filter		1
22753	Cover—Governor Hole		1
22818	Dipper—Connecting Rod		2
22834	Washer—Spacer		3
22856	Lock—Connecting Rod Screw		1
22909	Cup—Governor		1
22984	Cover—Fuel Pump Hole		2
23068	Nut—Speed Adjusting		2
23069	Screw—Speed Adjusting		1
†23114	Pin—Float Hinge		1
23184	Retainer—Valve Spring		1
	<i>Note:</i> No. 202250 Rotocap—Exhaust Valve		3
	Used on type Nos. 105074, 105075, 105079, 105083, 105086, 105116, 105123, 105167, 105197, 105566, 105570, 105571, 105572, 105574, 105577, 105598, 105603, 105606, 105618, 105622, 105623, 105629, 105850, 105851, 105899, 105901, 106535, 106536, 106537.		
23187	Pin—Valve Spring Retainer		1
	<i>Note:</i> No. 230126 Pin—Exhaust Valve Rotocap Retainer		1
	No. 230127 Retainer—Exhaust Valve Rotocap		1
	Used on type Nos. 105074, 105075, 105079, 105083, 105086, 105116, 105123, 105167, 105197, 105566, 105570, 105571, 105572, 105574, 105577, 105598, 105603, 105606, 105618, 105622, 105623, 105629, 105850, 105851, 105899, 105901, 106535, 106536, 106537.		
†23222	Nozzle—Carburetor		1
†23227	Nut—Needle Valve Packing		1
23230	Rushing—Throttle Shaft		1
23270	Screw—Choke Lever		1
23292	Bolt—Air Cleaner—6 $\frac{3}{8}$ " long		1
	<i>Note:</i> No. 23087 Bolt—Air Cleaner—6 $\frac{1}{2}$ " long		2
	Used on type Nos. 105566, 105572.		2
23334	Stud—Air Cleaner—6" long		1
	<i>Note:</i> No. 23711 Stud—Air Cleaner—6 $\frac{1}{2}$ " long		1
	Used on type Nos. 105570, 105571, 105623.		

\* Included in Gasket Set — Part No. 291376.

† Included in Carburetor Overhaul Kit — Part No. 291691.

PARTS SECTION

MASTER PART NO.	NAME	SHIPPING WEIGHT	
		Lbs.	Oz.
23386	Valve—Intake		2
	<i>Note:</i> No. 23663 Valve		2
	Used as Intake valve on type Nos. 105074, 105075, 105079, 105083, 105086, 105116, 105566, 105570, 105571, 105572, 105574, 105577, 105598, 105850, 105851, 106537.		
23388	Pinion—Starter		4
23443	Pin—Engine Base		1
23444	Stud—Valve Cover		1
23663	Valve—Exhaust		2
	<i>Note:</i> No. 29515 Valve—Exhaust		2
	Used on type Nos. 105074, 105075, 105079, 105083, 105086, 105116, 105167, 105197, 105566, 105570, 105571, 105572, 105574, 105577, 105598, 105603, 105606, 105618, 105622, 105623, 105850, 105851, 105899, 105901, 106537.		
23688	Bushing—Governor Control		1
23690	Shaft—Governor		1
23691	Bushing—Governor Crank		2
23699	Nut—Fuel Shut-off Valve		2
23722	Screw—Governor Control Lever		3
23783	Pin—Fuel Pump Lever		1
23883	Shaft—Thermostat		2
23884	Stop—Thermostat Shaft		1
23885	Support—Thermostat Shaft (Inner)		1
23886	Support—Thermostat Shaft (Outer)		1
23933	Valve—Fuel Shut-off		2
26021	Spring—Intake Valve		1
26025	Spring—Pedal Return		1
26026	Lock—Piston Pin		1
26032	Spring—Clutch Retainer		1
26099	Wire—Control, 54" long		2
	<i>Note:</i> If longer wire is needed, specify length by inches; if shorter wire is needed order No. 26099 and cut to required length.		
	No. 26718 Wire—Control—84" long (Stainless Steel)		4
	Used on type Nos. 106022, 106024, 106027.		
†26157	Spring—Throttle Adjustment		1
26228	Spring—Choke Lever Return		1
26229	Spring—Choke Lever		1
26267	Spring—Control Wire Return		1
26350	Spring—Breather Retainer		1
26391	Link—Throttle		1
26393	Spring—Governor		1
26478	Spring—Exhaust Valve		1
	<i>Note:</i> No. 26826 Spring—Exhaust Valve		1
	Used on type Nos. 105074, 105075, 105079, 105083, 105086, 105116, 105123, 105167, 105197, 105566, 105570, 105571, 105572, 105574, 105577, 105598, 105603, 105606, 105618, 105622, 105623, 105629, 105850, 105851, 105899, 105901, 106535, 106536, 106537.		
26502	Spring—Governor		2
26548	Link—Governor		2
26578	Spring—Control Rod Return		1
26587	Spring—Fuel Pump Lever		1
26588	Spring—Fuel Pump Diaphragm		1
26594	Thermostat		1
26851	Link—Choke		2
26873	Crankshaft		3
	<i>Note:</i> No. 26843 Crankshaft		3
	Used on type Nos. 105523, 105537, 105539, 105546, 105559, 105563, 105572, 105574, 105576, 105594, 105600, 105601, 105603, 105609, 105625, 105629.		

(See following page)

† Included in Carburetor Overhaul Kit — Part No. 291691.

PARTS SECTION

MASTER PART NO.	NAME	SHIPPING WEIGHT	
		Lbs.	Oz.
	<b>No. 20302 Crankshaft</b> .....	3	
	Used on type Nos. 105522, 105528, 105531, 105552, 105575, 105580, 105581, 105614, 105624, 106521, 106522, 106523, 106524, 106525, 106526, 106527, 106528, 106529, 106531, 106532, 106534, 106535, 106536, 106537, 106538, 106539, 106541, 106543, 106544, 106546, 106549.		
	<b>No. 26580 Crankshaft</b> .....	3	
	Used on type No. 106547.		
	<b>No. 26596 Crankshaft</b> .....	5	
	Used on type Nos. 105091, 105211, 105536, 105810, 105821, 105822, 105823, 105824, 105825, 105826, 105827, 105828, 105829, 105830, 105831, 105832, 105833, 105834, 105835, 105836, 105838, 105839, 105844, 105845, 105846, 105847, 105848, 105849, 105850, 105851, 105852, 105853, 105854, 105855, 105856, 105857, 105859, 105860, 105862, 105863, 105864, 105865, 105866, 105867, 105868, 105869, 105870, 105871, 105874, 105875, 105876, 105877, 105878, 105879, 105880, 105883, 105885, 105886, 105887, 105892, 105895, 105896, 105899, 105900, 105901, 105903, 105998.		
	<b>No. 26632 Crankshaft</b> .....	3	
	Used on type No. 105529.		
	<b>No. 26655 Crankshaft</b> .....	3	
	Used on type No. 105197.		
	Uses: <b>No. 23730 Spacer</b> .....		4
	<b>No. 26690 Crankshaft</b> .....	3	
	Used on type Nos. 105084, 105126, 105144, 105168, 105811, 105812, 105840, 105841, 105842, 105843, 105858, 105861, 105872, 105873, 105881, 105882, 105884, 105883, 105889, 105890, 105891, 105893, 105894, 105897, 105898, 105902.		
	<b>No. 26767 Crankshaft</b> .....	3	
	Used on type Nos. 105092, 105549.		
	<b>No. 26886 Crankshaft</b> .....	3	
	Used on type Nos. 105521, 105525, 105528, 105535, 105540, 105541, 105542, 105543, 105553, 105556, 105557, 105565, 105566, 105570, 105607, 105612, 105613, 105615, 105616, 105618, 105620, 105621, 105623.		
	<b>No. 26890 Crankshaft</b> .....	3	
	Used on type Nos. 105510, 105516, 105530, 105534, 105544, 105545, 105547, 105548, 105550, 105551, 105555, 105561, 105562, 105564, 105567, 105568, 105569, 105573, 105577, 105583, 105584, 105585, 105588, 105590, 105592, 105593, 105595, 105596, 105598, 105602, 105604, 105608, 105610, 105611, 105627, 106510, 106530, 106548.		
	<b>No. 26891 Crankshaft</b> .....	3	
	Used on type Nos. 105012, 105013, 105078, 105083, 105158, 105202, 105203.		
	<b>No. 26892 Crankshaft</b> .....	3	
	Used on type Nos. 105524, 105578, 105589.		
	<b>No. 26894 Crankshaft</b> .....	3	
	Used on type Nos. 105558, 105571, 105586, 105622.		
	Uses: <b>No. 23158 Sleeve</b> .....		1
	<b>No. 230292 Locknut</b> .....		1
	<b>No. 62980 Washer</b> .....		1
	<b>No. 26897 Crankshaft</b> .....	3	
	Used on type Nos. 105034, 105088, 105116.		
	<b>No. 26916 Crankshaft</b> .....	3	
	Used on type No. 105606.		
	<b>No. 26951 Crankshaft</b> .....	3	
	Used on type Nos. 105011, 105017, 105058, 105059, 105070, 105072, 105090, 105107, 105110, 105120, 105125, 105133, 105135, 105137, 105138, 105139, 105140, 105141, 105142, 105143, 105146, 105147, 105149, 105152, 105154, 105156, 105161, 105165, 105169, 105170, 105172, 105173, 105174, 105176, 105177, 105183, 105184, 105190, 105191, 105194, 105199, 105200, 105201, 105207, 105209, 105212, 105213, 106011, 106017, 106033.		

(See following page)

PARTS SECTION

MASTER PART NO.	NAME	SHIPPING WEIGHT	
		Lbs.	Oz.
	No. 26953 Crankshaft .....	3	
	Used on type No. 105554.		
	No. 26967 Crankshaft .....	3	
	Used on type Nos. 105511, 105517, 105591, 105599, 105605, 105617, 105619, 105628, 105630, 106511, 106517.		
	No. 26908 Crankshaft .....	3	
	Used on type Nos. 105113, 105155.		
	No. 26981 Crankshaft .....	3	
	Used on type Nos. 105119, 105194.		
	No. 26985 Crankshaft .....	3	
	Used on type Nos. 105582, 105597.		
	No. 260021 Crankshaft .....	3	
	Used on type No. 105538.		
26888	Rod—Control .....		3
*27043	Gasket—Engine Base .....		1
27108	Washer—Starter Lever .....		1
27139	Gasket—Gear Case Mounting .....		1
27140	Gasket—Governor Housing .....		1
27145	Packing—Shut-off Valve .....		1
27313	Gasket—Gear Case Cover .....		1
27314	Gasket—Fuel Pump Mounting .....		1
27323	Gasket—Breather Body .....		1
*27355	Gasket—Intake Elbow Mounting .....		1
	Note: No. 27384 Gasket—Intake Elbow Mounting .....		1
	Used on type Nos. 106523, 106526, 106529, 106531, 106534, 106536, 106539, 106548.		
*27423	Gasket—Air Cleaner Mounting .....		1
	Note: No. 68957 Gasket—Air Cleaner .....		1
	Used on type Nos. 105566, 105570, 105571, 105572.		
	No. 292252 Gasket Set .....		1
	Used on engines with plastic bowl air cleaner.		
27590	Filter—Carburetor Drain .....		1
27600	Gasket—Air Cleaner .....		1
	Note: No. 27606 Gasket—Air Cleaner .....		1
	Used on type No. 105213.		
27795	Gasket—Air Cleaner .....		1
29667	Breaker Assembly—Ignition .....		2
	Note: No. 292648 Breaker Assembly—Ignition .....		2
	Used on type Nos. 105074, 105075, 105083, 105086, 105112, 105116, 105117, 105164, 105167, 105197, 105566, 105570, 105571, 105572, 105574, 105577, 105598, 105603, 105606, 105610, 105612, 105618, 105622, 105623, 105850, 105851, 105899, 105901.		
29693	Plug—Spark (with gasket) .....		3
	Note: No. 292519 Plug—Spark—with Gasket .....		4
	Used on type Nos. 105074, 105075, 105083, 105086, 105112, 105116, 105117, 105164, 105167, 105197, 105566, 105570, 105571, 105572, 105574, 105577, 105598, 105603, 105606, 105610, 105612, 105618, 105622, 105623, 105850, 105851, 105899, 105901.		
	No. 293923 Plug—Spark .....		3
	Used on type Nos. 105162, 105627, 106533, 106539.		
29806	Gasket—Spark Plug .....		1
29835	Flywheel—Magneto .....	6	
	Note: No. 292471 Flywheel—Magneto .....	6	
	Used on type Nos. 105116, 105197.		
29861	Condenser .....		2
	Note: No. 290593 Condenser .....		2
	Used on type Nos. 105074, 105075, 105083, 105086, 105112, 105116, 105117, 105164, 105167, 105197, 105566, 105570, 105571, 105572, 105574, 105577, 105598, 105603, 105606, 105610, 105612, 105618, 105622, 105623, 105850, 105851, 105899, 105901.		
29878	Rope—Starter .....		6
38852	Washer—Armature and Breaker Mounting .....		1
61703	Gear—Cam .....	1	8

\* Included in Gasket Set — Part No. 291376.

## PARTS SECTION

MASTER PART NO.	NAME	SHIPPING WEIGHT	
		Lbs.	Oz.
61756	Ring—Piston, Compression, Center—Standard		1
61757	Ring—Piston, Oil—Standard		1
61760	Key—Flywheel		1
61768	Ring—Piston, Compression, Center—.010" O.S.		1
61769	Ring—Piston, Compression, Center—.020" O.S.		1
61770	Ring—Piston, Compression, Center—.030" O.S.		1
61771	Ring—Piston, Oil—.010" O.S.		1
61772	Ring—Piston, Oil—.020" O.S.		1
61773	Ring—Piston, Oil—.030" O.S.		1
61967	Stop—Throttle Lever		1
62199	Washer—Tank Bracket		1
62536	Cup—Starter Return Spring		1
62538	Washer—Clutch Retainer		2
62552	Bushing—Cylinder		1
62577	Washer—Flywheel		4
62885	Cover—Dust		1
62899	Washer—Thermostat		1
63217	Nut—Needle Valve Packing (Used before Serial No. 500891)		1
63426	Locknut—Control Wire Casing		1
63532	Spacer—Flame Arrester		1
63770	Ball—Clutch		1
63771	Bushing—Starter Sector		3
63785	Shaft—Cam		1
63788	Tappet—Valve		3
63821	Wrench—Socket Set Screw		1
65294	Gasket—Filler Screw		1
65704	Plunger—Breaker Point		1
65968	Disk—Breather		1
66111	Connector—Fuel Pipe		1
*66114	Washer—Cylinder Mounting		1
66204	Gasket—Fuel Pump Valve		1
66384	Rope—Starter (47 1/2" long)		1
	Note: No. 66444 Rope—Starter (55 1/2" long) Used on type No. 105147.		1
66432	Washer—Control Wire Casing Retainer and Governor Control Lever		1
66438	Insulator—Stop Switch		1
	Note: No. 66498 Insulator—Stop Switch Used on type Nos. 105074, 105075, 105083, 105086, 105112, 105116, 105117, 105164, 105167, 105197, 105566, 105570, 105571, 105572, 105574, 105577, 105598, 105603, 105606, 105610, 105612, 105618, 105622, 105623, 105850, 105851, 105899, 105901.		1
66528	Bumper—Starter Pulley		1
66718	Washer—Starter Clutch, Thrust		2
66728	Grip—Starter Rope		1
66768	Plug—Oil Filler		6
	Note: No. 293412 Plug Assembly—Oil Filler and Drain Used on type No. 105901.		3
66980	Casing—Control Wire—48" long		1
	Note: If a longer casing is needed, specify length in inches; if a shorter casing is needed order No. 66986 and cut to required length.		1
*67307	Gasket—Magneto Plate—.015" thick		1
*67527	Gasket—Valve Cover		1
*67597	Gasket—Magneto Plate—.005" thick		1
*67607	Gasket—Magneto Plate—.009" thick		1
68122	Plug—Cam Shaft		1
68477	Gasket—Fuel Filter Bowl		1
68487	Bowl—Fuel Filter		1
†68857	Gasket—Carburetor Body		1
68877	Gasket—Fuel Inlet Valve Seat		1

\* Included in Gasket Set — Part No. 291376.

† Included in Carburetor Overhaul Kit — Part No. 291691.



## PARTS SECTION

MASTER PART NO.	NAME	SHIPPING WEIGHT	
		Lbs.	Oz.
†68887	Packing—Carburetor Needle Valve (Also used on tank valve before Serial No. 500891) .....		1
†68897	Gasket—Carburetor Venturi .....		1
†*68987	Gasket—Carburetor Mounting .....		1
	<i>Note:</i> No. 27810 Gasket—Carburetor Mounting .....		1
	Used on type Nos. 106523, 106526, 106529, 106531, 106534, 106536, 106548.		
69221	Cap—Fuel Tank .....		3
	<i>Note:</i> No. 69061 Cap—Fuel Tank .....		3
	Used on type Nos. 105130, 105622, 106022.		
	No. 89088 Cap—Fuel Tank .....		3
	Used on type Nos. 105566, 105570, 105571, 105572, 105623.		
	No. 293026 Cap—Fuel Tank .....		6
	Used on type No. 105901.		
80127	Clutch and Pulley Assembly—Starter .....	1	
	<i>Note:</i> No. 290221 Clutch Assembly—Starter .....	1	
	Used on type Nos. 105086, 105116, 105197.		
80283	Piston Assembly—.010" O.S. ....		8
80285	Piston Assembly—.020" O.S. ....		8
80287	Piston Assembly—.030" O.S. ....		8
80289	Piston Assembly—Standard .....		8
80346	Filter Assembly—Fuel .....		10
80347	Cover Assembly—Fuel Filter .....		3
	<i>Note:</i> No. 21145 Cover—Fuel Filter .....		2
	Used on type No. 105901.		
80363	Sector Assembly—Starter .....		14
80365	Starter Assembly—Foot .....	1	8
	<i>Note:</i> No. 291230 Starter Assembly—Foot .....	1	8
	Used on type Nos. 105116, 105197.		
89495	Body Assembly—Upper Carburetor .....		4
	<i>Note:</i> No. 293732 Body Assembly—Upper Carburetor .....		4
	Used on type Nos. 105104, 105145, 105185, 106035.		
89600	Starter Assembly—Hand .....	3	
89611	Sector Assembly—Starter .....		14
89660	Seal—Oil .....		1
89677	Bushing—Cylinder or Magneto .....		3
	Includes: No. 89660 Seal—Oil .....		1
89742	Shield—Spark Plug .....		6
	<i>Note:</i> No. 291630 Shield—Spark Plug (with stop switch).....		6
	Used on type Nos. 105078, 105184, 105567, 105865, 105872, 105888, 106524.		
89838	Wrench—Spark Plug .....		6
89960	Muffler .....		4
	<i>Note:</i> No. 89945 Muffler .....		1
	Used on type Nos. 105823, 105851, 105891, 105893, 105897, 105899, 106537.		
	No. 290910 Muffler .....		8
	Used on type Nos. 106022, 106027.		
	No. 292054 Muffler .....		6
	Used on type Nos. 105023, 105024, 105029, 105033, 105043, 105053, 105054, 105055, 105057, 105062, 105063, 105068, 105071, 105073, 105095, 105101, 105103, 105105, 105106, 105109, 105110, 105115, 105118, 105133, 105135, 105136, 105137, 105139, 105148, 105149, 105157, 105172, 105173, 105174, 105175, 105176, 105179, 105137, 105196, 105205, 105208, 105209, 105544, 105551, 105593, 105610, 105844, 105847, 105868.		
	No. 293449 Muffler .....		1
	Used on type No. 105901.		
	No. 294441 Muffler .....		12
	Used on type Nos. 105198, 105199, 105531, 105624, 105628, 105903.		
90050	Screw—Machine, Rd. Hd.—6-32x $\frac{1}{4}$ " .....		1

\* Included in Gasket Set — Part No. 291376.

† Included in Carburetor Overhaul Kit — Part No. 291691.

PARTS SECTION

MASTER PART NO.	NAME	SHIPPING WEIGHT	
		Lbs.	Oz.
90200	Screw—Machine, Fill. Hd.—8-32x $\frac{1}{2}$ "		1
90202	Screw—Machine, Fill. Hd.—10-32x $\frac{1}{2}$ "		1
90310	Nut—Hex.—6-32		1
90355	Nut—Hex.—10-32		1
90362	Washer—Lock—No. 6x $\frac{3}{8}$ x $\frac{3}{8}$ "		1
90366	Washer—Lock— $\frac{1}{2}$ x $\frac{1}{2}$ x $\frac{1}{2}$ "		1
90367	Washer—Lock—No. 8x $\frac{1}{2}$ x $\frac{1}{2}$ "		1
90576	Nut—Hex.—8-32		1
90686	Screw—Cap, Hex. Hd.— $\frac{3}{8}$ -24x1"		1
90832	Washer—Lock— $\frac{1}{4}$ x $\frac{1}{2}$ x $\frac{1}{4}$ "		1
	<i>Note:</i> No. 92778 Washer—Lock—Shakeproof		1
	Used to mount blower housing; also tank to support on type Nos.		
	105074, 105075, 105083, 105086, 105112, 105116, 105117, 105164,		
	105167, 105197, 105566, 105570, 105571, 105572, 105574, 105577,		
	105598, 105603, 105606, 105610, 105612, 105618, 105622, 105623,		
	105850, 105851, 105899, 105901.		
90847	Nut—Hex.— $\frac{1}{4}$ -28		1
91059	Washer—Lock—No. 12x $\frac{1}{2}$ x $\frac{1}{2}$ "		1
91084	Plug—Pipe— $\frac{3}{8}$ "		1
	<i>Note:</i> No. 92727 Plug—Oil Drain— $\frac{1}{4}$ " Magnetic		1
	Used on type No. 105850.		
	No. 92814 Plug—Oil Drain— $\frac{3}{8}$ " Headless, Slotted		1
	Used on type Nos. 105061, 105104, 105145, 105185, 106035.		
	No. 93003 Plug—Oil Drain		1
	Used on type No. 105901.		
91208	Nut—Hex.— $\frac{5}{8}$ -24		1
91237	Washer—Lock— $\frac{1}{4}$ x $\frac{1}{2}$ x $\frac{1}{4}$ "		1
91410	Screw—Cap, Hex. Hd.— $\frac{1}{4}$ -20x $\frac{3}{8}$ "		1
	<i>Note:</i> No. 91439 Screw—Cap, Hex. Hd.— $\frac{1}{4}$ -20x $\frac{3}{8}$ "		1
	Used in upper blower housing mounting hole on type Nos.		
	105029, 105041, 105046, 105059, 105061, 105067, 105068, 105069,		
	105073, 105084, 105085, 105086, 105088, 105099, 105104, 105110,		
	105113, 105116, 105118, 105122, 105129, 105130, 105135, 105136,		
	105137, 105142, 105143, 105145, 105155, 105168, 105170, 105172,		
	105173, 105174, 105183, 105184, 105185, 105188, 105197, 105211,		
	105554, 105564, 105568, 105572, 105591, 105619, 105622, 105836,		
	105854, 105855, 105859, 105860, 105877, 105878, 105895, 106022,		
	106030, 106035, 106547.		
91439	Screw—Cap, Hex. Hd.— $\frac{1}{4}$ -20x $\frac{3}{8}$ "		1
91488	Plug—Pipe, $\frac{1}{8}$ " Std., Sq. Hd.		1
	<i>Note:</i> No. 91249 Plug—Pipe, $\frac{1}{4}$ " Std., Sq. Hd.		1
	Used on type Nos. 105121, 105140, 105153, 105171, 105604, 105605,		
	105887.		
91539	Key— $\frac{3}{8}$ " Square		1
91541	Screw—Cap, Hex. Hd.— $\frac{5}{8}$ -24x $\frac{3}{8}$ "		1
91635	Connector—Fuel Filter		1
	(Used only on type Nos. 105121, 105140, 105153, 105171, 105604, 105605,		
	105887.)		
	<i>Note:</i> No. 230272 Connector—Fuel Filter		1
	Used on type No. 106030.		
91648	Screw—Cap, Hex. Hd.— $\frac{5}{8}$ -24x $\frac{1}{2}$ "		1
91708	Nut—Flywheel		1
	<i>Note:</i> No. 92514 Nut—Flywheel		1
	Used on type Nos. 105116, 105197.		
91741	Screw—Pedal Return Spring Cup		1
91758	Screw—Set, Socket Head— $\frac{5}{8}$ -24x $\frac{1}{2}$ "		1
91810	Elbow—Exhaust (45° Street)		3
	<i>Note:</i> No. 91812 Elbow—Exhaust (90° Street)		3
	Used on type Nos. 105087, 105097, 105136, 105151, 105172, 105173,		
	105554, 105611, 105826, 105843, 105848, 105854, 105859, 105863,		
	105878, 105879, 105891, 105893, 105897, 105998.		
91811	Locknut—Exhaust Elbow		2
91920	Screw—Machine, Fill. Hd.—8-32x $\frac{3}{8}$ "		1

## PARTS SECTION

MASTER PART NO.	NAME	SHIPPING WEIGHT	
		Lbs.	Oz.
92015	Plug—Oil Drain (Gear Cover) .....		1
	<i>Note:</i> No. 92961 Elbow—Street, $\frac{1}{8}$ " , 90° .....		1
	Used on type Nos. 105836, 105877.		
92017	Screw—Machine, Fill. Hd.—8-32x $\frac{5}{16}$ " .....		1
92067	Nut—Wing .....		1
92129	Nut—Hex.— $\frac{1}{4}$ -28 .....		1
92227	Washer—Lock—Shakeproof No. 1320 .....		1
92287	Screw—Machine, Rd. Hd.—10-32x $\frac{1}{4}$ " .....		1
92290	Washer—Lock—No. 10x $\frac{1}{8}$ x $\frac{1}{4}$ " .....		1
92292	Nut—Hex.— $\frac{3}{8}$ -24 .....		1
92300	Screw—Cap, Hex. Hd.— $\frac{1}{4}$ -28x $\frac{5}{8}$ " .....		1
92317	Washer—Lock—Shakeproof No. 1208 .....		1
92413	Pin—Cotter— $\frac{1}{8}$ x $\frac{3}{8}$ " long .....		1
92427	Connector—Fuel Pipe .....		1
	<i>Note:</i> No. 93010 Connector—Fuel Pipe (Used between filter and fuel pipe) .....		1
	No. 91635 Connector—Filter (Used between filter and carburetor) .....		1
	Used on type No. 105901.		
	No. 230318 Connector—Fuel Pipe .....		1
	Used on type Nos. 105106, 105180, 105189, 105204.		
92506	Screw—Machine, Rd. Hd.—6-32x1" .....		1
92604	Screw—Connecting Rod—1" long .....		1
92605	Screw—Oil Filler .....		1
92617	Plug—Breather .....		1
92644	Rivet—Tubular— $\frac{1}{8}$ x $\frac{1}{2}$ " .....		1
92663	Screw—Starter Mounting .....		1
92664	Nut—Starter Mounting .....		1
92666	Screw—Cap, Hex. Hd.— $\frac{1}{4}$ -20x $\frac{1}{2}$ " .....		1
92678	Screw—Set, Socket Hd.—6-32x $\frac{1}{4}$ " .....		1
92701	Screw—Magneto Mounting Sem .....		1
92702	Screw—Condenser Mounting Sem .....		1
92703	Screw—Dust Cover Mounting Sem .....		1
92706	Washer—Lock—Shakeproof .....		1
92708	Screw—Armature Mounting Sem .....		1
92710	Screw—Cylinder Mounting—1 $\frac{1}{2}$ " long (Washer Head) .....		1
92715	Screw—Governor Housing Mounting and Control Lever Sem .....		1
92716	Screw—Cylinder Mounting (Washer Head) .....		1
92734	Screw—Cap, Hex. Hd.— $\frac{1}{4}$ -20x $\frac{1}{2}$ " .....		1
92747	Screw—Gear Case Mounting Sem .....		1
92791	Washer—Lock—Shakeproof .....		1
92909	Screw—Cylinder Head (1 $\frac{1}{8}$ " long) .....		1
	<i>Note:</i> No. 91386 Screw—Cylinder Head (2" long) .....		1
	Used to mount bracket and cylinder head on type Nos. 105068, 105073, 105122, 105135, 105137, 105143.		
	No. 91442 Screw—Cylinder Head (2 $\frac{1}{4}$ " long) .....		1
	Used to mount bracket and cylinder head on type Nos. 105041, 105059, 105142.		
	No. 91442 Screw—Cylinder Head (2" long) .....		1
	No. 48873 Spacer .....		1
	Used to mount bracket and cylinder head on type No. 105095.		
	No. 92907 Screw—Cylinder Head (2 $\frac{1}{4}$ " long) .....		1
	Used to mount bracket and cylinder head on type No. 105029.		
	No. 92985 Screw—Cylinder Head (3" long) .....		1
	No. 63336 Spacer .....		1
	Used on type Nos. 105039, 105121, 105140, 105153.		
92952	Screw—Machine, Rd. Hd.—8-32x1 $\frac{1}{4}$ " .....		1
92955	Screw—Throttle Housing, Fuel Pump Hd. and Choke Lever Mtg. Sem ..		1
93038	Screw—Choke and Throttle Valve Mounting Sem .....		1
93042	Screw—Rotating Screen and Breaker Mounting Sem .....		1
93043	Pin—Governor Lever and Throttle Stop .....		1
93083	Screw—Tank Bracket Mounting Sem .....		1

PARTS SECTION

MASTER PART NO.	NAME	SHIPPING WEIGHT	
		Lbs.	Oz.
93128	Screw—Carburetor and Intake Elbow Mounting Sem..... <i>Note: No. 92684 Screw—Machine, Fill. Hd.—¼-20x1½" .....</i> Used on type Nos. 106523, 106526, 106529, 106531, 106534, 106536, 106539, 106548.	1	1
99082	Pedal—Foot Starter .....	1	
	<i>Note: No. 99103 Pedal—Foot Starter .....</i> Used on type Nos. 105116, 105197.	1	
99158	Bearing—Ball—Used on 6-FB, 6-FBC, and 6-FBP Engines only.....	8	
	<i>Note: No. 62552 Bushing—Cylinder .....</i> Used on type Nos. 105536, 105549.	2	
99170	Seal—Oil—Used on 6-FB, 6-FBC, and 6-FBP Engines only.....	6	
	<i>Note: No. 99440 Seal—Oil .....</i> Used on type Nos. 105558, 105571, 105586, 105622.	6	
99395	Arrester—Flame .....	6	
99632	Tooth Assembly—Spring .....	1	
99634	Body—Upper Carburetor .....	4	
99665	Yoke—Fuel Filter .....	2	
99679	Lever Assembly—Choke .....	2	
	<i>Note: No. 291040 Lever and Weight Assembly—Automatic Choke.....</i> Used on type Nos. 106523, 106526, 106529, 106531, 106534, 106536, 106539, 106548.	2	
99760	Shaft and Lever—Choke .....	2	
	<i>Note: No. 23252 Shaft—Choke .....</i> Used on type Nos. 105116, 105197, 105893, 106022, 106027. <i>No. 292928 Shaft, Lever and Vane Assembly—Automatic Choke..</i> Used on type Nos. 106523, 106526, 106529, 106531, 106534, 106536, 106539, 106548.	1	4
99868	Shaft and Lever Assembly—Throttle .....	1	
	<i>Note: No. 293549 Lever Assembly—Throttle .....</i> Used on type Nos. 105104, 105145, 105185, 106035.	1	
99874	Adjuster Speed .....	1	
	<i>Note: No. 89617 Adjuster—Speed .....</i> Used on type Nos. 105074, 105075, 105083, 105086, 105112, 105116, 105117, 105164, 105167, 105197, 105566, 105570, 105571, 105572, 105574, 105577, 105598, 105603, 105606, 105610, 105612, 105618, 105622, 105623, 105850, 105851, 105899, 105901.	1	
99876	Carburetor Assembly .....	1	
	<i>Note: No. 89507 Carburetor Assembly .....</i> Used on type Nos. 105116, 105197, 105893. <i>No. 291059 Carburetor Assembly .....</i> Used on type Nos. 106022, 106027. <i>No. 292116 Carburetor Assembly .....</i> Used on type Nos. 105050, 105094, 105127, 105553, 105555, 105559, 105563, 105576, 105580, 105589, 105835, 105862, 106532, 106545, 106549. <i>No. 292930 Carburetor Assembly .....</i> Used on type Nos. 106523, 106526, 106529, 106531, 106534, 106536, 106539, 106548. <i>No. 293350 Carburetor Assembly .....</i> Used on type Nos. 105104, 105145, 105185, 106035. <i>No. 293780 Carburetor Assembly .....</i> Used on type Nos. 105554, 106547.	1	1
210028	Body—Breather .....		1
210068	Head—Cylinder .....	1	
	<i>Note: No. 210345 Head—Cylinder .....</i> Used on type Nos. 105050, 105094, 105127, 105553, 105555, 105559, 105563, 105576, 105580, 105589, 105609, 105835, 105862, 106532, 106545, 106549. <i>No. 293545 Head—Cylinder .....</i> Used on type No. 105901.	1	1
210400	Housing—Starter Clutch .....	1	
220093	Retainer—Spring .....		1
220137	Screen—Blower Housing (Used on engines with Bolt-On Recoll Starter) Download from <a href="http://www.Somanuals.com">www.Somanuals.com</a> . All Manuals Search And Download.		2

PARTS SECTION

MASTER PART NO.	NAME	SHIPPING WEIGHT	
		Lbs.	Oz.
220167	Housing—Blower .....	1	4
	<i>Note:</i> No. 220184 Housing—Blower (For engines with Bolt-On Recoll Starter) .....	1	4
	Used on type Nos. 105011, 105058, 105059, 105070, 105072, 105084, 105090, 105107, 105110, 105113, 105119, 105120, 105125, 105126, 105135, 105147, 105511, 105582, 105591, 105811, 105840, 105841, 105842, 105843, 105858, 105861, 105872, 105873, 106011, 106511.		
	No. 202838 Housing—Blower (with stop switch).....	1	6
	Used on type Nos. 105074, 105075, 105083, 105086, 105112, 105116, 105117, 105164, 105167, 105197, 105210, 105526, 105523, 105531, 105552, 105565, 105566, 105570, 105571, 105572, 105574, 105575, 105577, 105583, 105598, 105603, 105606, 105610, 105612, 105614, 105615, 105618, 105622, 105623, 105624, 105850, 105851, 105899, 105901, 106521, 106522, 106523, 106525, 106526, 106527, 106528, 106529, 106530, 106531, 106532, 106534, 106535, 106537, 106541, 106543, 106546, 106549.		
220169	Cover—Cylinder Head .....		10
	<i>Note:</i> No. 220171 Cover—Cylinder Head .....		4
	Used on type Nos. 105084, 105086, 105113, 105116, 105130, 105155, 105168, 105170, 105197, 105211, 105554, 105564, 105568, 105572, 105591, 105619, 105854, 105855, 105859, 105895, 106022, 106027, 106547.		
	{ No. 220171 Cover—Cylinder Head .....		4
	{ No. 220173 Support—Upper Fuel Tank .....		14
	Used on type Nos. 105036, 105037, 105038, 105042, 105083, 105574, 105588, 105598, 105603, 105889, 105900, 105901.		
	{ No. 220171 Cover—Cylinder Head .....		4
	{ No. 220439 Support—Upper Fuel Tank .....		14
	Used on type Nos. 105041, 105046, 105059, 105081, 105067, 105068, 105069, 105073, 105085, 105088, 105104, 105110, 105118, 105122, 105129, 105135, 105137, 105142, 105143, 105145, 105174, 105183, 105185, 105836, 105877, 106030, 106035.		
	{ No. 220171 Cover—Cylinder Head .....		4
	{ No. 220435 Support—Upper Fuel Tank .....		14
	Used on type Nos. 105103, 105109, 105120, 105123, 105141, 105193, 105586, 105590, 105593, 105595, 105860, 106024.		
	{ No. 220171 Cover—Cylinder Head .....		4
	{ No. 220456 Support—Upper Fuel Tank .....		14
	Used on type Nos. 105099, 105136, 105172, 105173, 105188, 105826, 105866, 105878.		
	{ No. 220280 Cover—Cylinder Head .....		4
	{ No. 220173 Support—Upper Fuel Tank .....		14
	Used on type Nos. 105552, 105583, 105614, 106521, 106522, 106523, 106524, 106528, 106537, 106543.		
	{ No. 220280 Cover—Cylinder Head .....		4
	{ No. 220439 Support—Upper Fuel Tank .....		14
	Used on type No. 105184.		
	{ No. 220280 Cover—Cylinder Head .....		4
	{ No. 220435 Support—Upper Fuel Tank .....		14
	Used on type Nos. 106531, 106534, 106546, 106549.		
	No. 220281 Cover—Cylinder Head .....		10
	Used on type Nos. 105078, 105169, 105210, 105526, 105523, 105531, 105557, 105565, 105575, 105615, 105617, 105624, 105865, 105872, 105888, 106031, 106525, 106526, 106527, 106529, 106530, 106532, 106535, 106536, 106541, 106548.		
220172	Shield—Cylinder .....		3
220195	Bracket—Fuel Tank .....		2
	<i>Note:</i> No. 220498 Bracket—Fuel Tank .....		3
	Used on type Nos. 105103, 105109, 105120, 105141, 105193, 105586, 105593, 105595, 106534, 106546, 106549.		

(See following page)

PARTS SECTION

MASTER PART NO.	NAME	SHIPPING WEIGHT	
		Lbs.	Oz.

*The following parts used in conjunction with No. 220195 Bracket on type No. 105836:*

No. 220441	Bracket—Fuel Tank		2
No. 220444	Baffle		4
No. 90832	Washer—Lock— $\frac{1}{4} \times \frac{1}{2} \times \frac{1}{4}$ "		1
No. 92666	Screw—Cap, Hex. Hd.— $\frac{1}{4}$ -20x $\frac{1}{2}$ "		1

*The following parts used in conjunction with No. 220195 Bracket on type No. 105067:*

No. 220442	Bracket—Fuel Tank		4
No. 220445	Baffle		4
No. 90366	Washer—Lock— $\frac{1}{8} \times \frac{1}{8} \times \frac{1}{8}$ "		1
No. 90832	Washer—Lock— $\frac{1}{4} \times \frac{1}{2} \times \frac{1}{4}$ "		1
No. 92666	Screw—Cap, Hex. Hd.— $\frac{1}{4}$ -20x $\frac{1}{2}$ "		1
No. 90950	Screw—Cap, Hex. Hd.— $\frac{1}{8}$ -24x $\frac{3}{4}$ "		1

*The following parts used in conjunction with No. 220195 Bracket on type Nos. 105041, 105046, 105059, 105061, 105068, 105069, 105085, 105088, 105104, 105110, 105118, 105129, 105135, 105137, 105142, 105143, 105145, 105174, 105183, 105184, 105185, 106030, 106035:*

No. 220443	Bracket—Fuel Tank		4
No. 220444	Baffle		4
No. 90366	Washer—Lock— $\frac{1}{8} \times \frac{1}{8} \times \frac{1}{8}$ "		1
No. 90832	Washer—Lock— $\frac{1}{4} \times \frac{1}{2} \times \frac{1}{4}$ "		1
No. 92666	Screw—Cap, Hex. Hd.— $\frac{1}{4}$ -20x $\frac{1}{2}$ "		1
No. 90950	Screw—Cap, Hex. Hd.— $\frac{1}{8}$ -24x $\frac{3}{4}$ "		1

*The following parts used in conjunction with No. 220195 Bracket on type Nos. 105073, 105122:*

No. 220443	Bracket—Fuel Tank		4
No. 220444	Baffle		4
No. 90832	Washer—Lock— $\frac{1}{4} \times \frac{1}{2} \times \frac{1}{4}$ "		1
No. 92666	Screw—Cap, Hex. Hd.— $\frac{1}{4}$ -20x $\frac{1}{2}$ "		1
No. 91325	Washer—Flat		1
No. 92279	Screw—Cap, Hex. Hd.— $\frac{1}{8}$ -24x $1\frac{1}{2}$ "		1
No. 92983	Washer—Spring		1
No. 230230	Spacer		2

*The following parts used in place of No. 220195 Bracket on type Nos. 105826, 105878:*

No. 220458	Bracket—Fuel Tank		4
No. 90832	Washer—Lock— $\frac{1}{4} \times \frac{1}{2} \times \frac{1}{4}$ "		1
No. 92666	Screw—Cap, Hex. Hd.— $\frac{1}{4}$ -20x $\frac{1}{2}$ "		1

*The following parts used in place of No. 220195 Bracket on type Nos. 105099, 105136, 105172, 105173, 105188:*

No. 220522	Bracket—Fuel Tank		4
No. 90366	Washer—Lock— $\frac{1}{8} \times \frac{1}{8} \times \frac{1}{8}$ "		1
No. 90832	Washer—Lock— $\frac{1}{4} \times \frac{1}{2} \times \frac{1}{4}$ "		1
No. 92666	Screw—Cap, Hex. Hd.— $\frac{1}{4}$ -20x $\frac{1}{2}$ "		1
No. 90950	Screw—Cap, Hex. Hd.— $\frac{1}{8}$ -24x $\frac{3}{4}$ "		1

*The following parts used in place of No. 220195 Bracket on type No. 105866:*

No. 220524	Bracket—Fuel Tank		5
No. 90832	Washer—Lock— $\frac{1}{4} \times \frac{1}{2} \times \frac{1}{4}$ "		1
No. 92666	Screw—Cap, Hex. Hd.— $\frac{1}{4}$ -20x $\frac{1}{2}$ "		1

*The following parts used in conjunction with No. 220195 Bracket on type No. 105877:*

No. 220627	Bracket—Fuel Tank		2
No. 220444	Baffle		4
No. 90832	Washer—Lock— $\frac{1}{4} \times \frac{1}{2} \times \frac{1}{4}$ "		1
No. 92666	Screw—Cap, Hex. Hd.— $\frac{1}{4}$ -20x $\frac{1}{2}$ "		1

220197	Switch—Stop		1
220230	Guide—Magneto Air (Used only on engines with a Mechanical Governor)		3
220234	Lock—Gear Case Mounting Screw		1
220292	Brace—Air Cleaner Elbow		1

PARTS SECTION

MASTER PART NO.	NAME	SHIPPING WEIGHT	
		Lbs.	Oz.
220352	Plug—Welch .....		1
220307	Brace—Carburetor .....		1
220417	Strap—Governor Control Rod .....		1
	<i>Note:</i> No. 220530 Strap—Control Wire Casing .....		1
	Used on type Nos. 105104, 105145, 105185, 106035.		
220521	Retainer—Carburetor Drain Filter .....		1
220547	Pulley—Rope Starter .....		6
	<i>Note:</i> No. 20743 Pulley—Drive .....		8
	Used on type No. 105158.		
220575	Washer—Clutch Retainer .....		1
220576	Screen—Recoil Starter .....		2
220859	Locknut—Muffler and Exhaust Elbow .....		1
220865	Washer—Spring .....		1
230005	Valve—Needle .....		1
	<i>Note:</i> No. 292088 Valve—Needle .....		1
	Used on type Nos. 105050, 105094, 105127, 105553, 105555, 105559, 105563, 105576, 105580, 105589, 105609, 105835, 105862, 106532, 106545, 106549.		
230010	Wrench—Socket Screw .....		1
230187	Valve—Fuel Shut-Off (Use Part No. 293934) .....		1
230228	Pin—Starter Grip .....		1
230238	Stud—Air Cleaner .....		1
	<i>Note:</i> No. 230361 Stud—Air Cleaner .....		1
	Used on type No. 105213.		
290017	Crank—Governor .....		2
290062	Control—Throttle .....		4
	<i>Note:</i> No. 290463 Control—Throttle .....		4
	Used on type Nos. 105550, 105606, 105619, 105857.		
290166	Gear—Governor .....		6
290216	Control—Choke .....		6
290239	Cylinder Assembly .....	14	
	<i>Note:</i> This group of cylinders including part No. 290239 used on 6-FB, 6FBC and 6FBP engines only.		
	No. 89013 Cylinder Assembly .....	14	
	Used on type Nos. 105558, 105586.		
	Includes: {No. 91048 Screw—Cap, Hex. Hd.— $\frac{1}{4}$ -24x $\frac{1}{2}$ " .....		1
	{No. 91865 Washer—Lock .....		1
	For retaining ball bearing.		
	No. 290257 Cylinder Assembly .....	14	
	Used on type Nos. 105536, 105549.		
	No. 290498 Cylinder Assembly .....	14	
	Used on type No. 106537.		
	No. 290501 Cylinder Assembly .....	14	
	Used on type Nos. 105566, 105570, 105572, 105574, 105577, 105598, 105603, 105606, 105618, 105623.		
	No. 291037 Cylinder Assembly .....	14	
	Used on type Nos. 105554, 106547.		
	No. 292256 Cylinder Assembly .....	14	
	Used on type Nos. 105571, 105622.		
	Includes: {No. 91048 Screw—Cap, Hex. Hd.— $\frac{1}{4}$ -24x $\frac{1}{2}$ " .....		1
	{No. 91865 Washer—Lock .....		1
290257	Cylinder Assembly .....	14	
	<i>Note:</i> These cylinders used on 6F and 6R-6 engines only.		
	No. 290504 Cylinder Assembly .....	14	
	Used on type Nos. 105850, 105851, 105899, 105901.		
290290	Ring Set—Standard Piston .....		3
290291	Ring Set—.010" O.S. Piston .....		3
290292	Ring Set—.030" O.S. Piston .....		3
290465	Pump Assembly—Fuel .....	1	4
290508	Lever Assembly—Control .....		4
290584	Base—Control Lever .....		2
290596	Ring Set—.020" O.S. Piston .....		3
290622	Diaphragm—Fuel Pump .....		2

PARTS SECTION

MASTER PART NO.	NAME	SHIPPING WEIGHT	
		Lbs.	Oz.
290623	Valve—Fuel Pump .....		
290642	Lever—Control .....		1
290738	Cylinder Assembly .....		2
	<i>Note:</i> This group of cylinders including part No. 290738 used on Model "6" engines only. (For Model 6-FB engines see part No. 290239; for Model 6F and 6R-6 engines see part No. 89465 Cylinder Assembly .....	14	
	Used on type Nos. 105024, 105041, 105046, 105047, 105055, 105059, 105061, 105067, 105068, 105069, 105073, 105085, 105088, 105090, 105099, 105104, 105110, 105118, 105122, 105124, 105129, 105132, 105135, 105136, 105137, 105142, 105143, 105145, 105152, 105163, 105172, 105173, 105174, 105179, 105180, 105183, 105184, 105185, 105188, 105191, 106030, 106035.		
	No. 290500 Cylinder Assembly .....	14	
	Used on type Nos. 105074, 105075, 105079, 105083, 105086, 105116, 105167, 105197.		
290779	Case Assembly—Gear .....	1	8
	<i>Note:</i> No. 293067 Case Assembly—Gear .....	1	8
	Used on type Nos. 105826, 105828, 105836.		
290802	Shaft Assembly—Drive .....	3	8
	<i>Note:</i> No. 291764 Shaft Assembly—Drive .....	2	6
	Used on type No. 105998.		
	No. 293272 Shaft Assembly—Drive .....	3	8
	Used on type No. 105863.		
	No. 293582 Shaft Assembly—Drive .....	3	8
	Used on type Nos. 105872, 105888.		
	Order — Shaft Assembly—Drive. Used on type Nos. 105823, 105899 — from the equipment manufacturer.		
290938	Base Assembly—Engine .....	1	10
	<i>Note:</i> No. 290946 Base Assembly—Engine .....	1	10
	Used on type Nos. 105022, 105024, 105028, 105032, 105041, 105044, 105047, 105048, 105054, 105055, 105057, 105059, 105060, 105061, 105062, 105071, 105073, 105076, 105080, 105087, 105090, 105095, 105097, 105098, 105099, 105106, 105108, 105113, 105118, 105122, 105124, 105132, 105142, 105143, 105150, 105152, 105155, 105157, 105163, 105170, 105177, 105179, 105180, 105183, 105187, 105196, 105200, 105203, 105204, 105554, 105562, 105585, 105606, 105611, 105826, 105831, 105834, 105839, 105840, 105841, 105843, 105848, 105854, 105855, 105859, 105863, 105867, 105869, 105872, 105878, 105881, 105883, 105888, 105889, 105893, 105894, 105897, 105903, 106021, 106032.		
	No. 292290 Base Assembly—Engine .....	1	10
	Used on type No. 105850.		
290963	Rod Assembly—Connecting .....		12
290980	Pin Assembly—Piston—Standard .....		2
290981	Pin Assembly—Piston—.005" O.S. ....		2
291015	Housing and Pulley Assembly—Starter Clutch .....		10
	<i>Note:</i> No. 291017 Housing—Clutch .....		14
	Used on type Nos. 105086, 105116, 105197.		
291044	Lever Assembly—Thermostat .....		1
*291301	Gasket—Cylinder Head (1/8" thick) .....		1
	<i>Note:</i> Two No. 291301 Cylinder Head Gaskets are used on type Nos. 105050, 105094, 105127, 105553, 105555, 105559, 105563, 105576, 105580, 105589, 105609, 105835, 105862, 106532, 106545, 106549.		
291376	Gasket Set .....		4
291391	Housing—Starter (Used only with bolt-on type recoil starter).....		12
291495	Clutch Assembly—Starter (Used only with bolt-on type recoil starter) ..	1	8
291617	Armature—Magneto .....	1	2
	<i>Note:</i> No. 292184 Armature—Magneto .....	1	2
	Used on type Nos. 105074, 105075, 105083, 105086, 105096, 105112, 105116, 105117, 105164, 105167, 105197, 105566, 105570, 105571, 105572, 105574, 105577, 105598, 105603, 105606, 105610, 105612, 105618, 105622, 105623, 105850, 105851, 105899, 105901.		

\* Included in Gasket Set — Part No. 291376.



PARTS SECTION

MASTER PART NO.	NAME	SHIPPING WEIGHT	
		Lbs.	Oz.
291691	Carburetor Overhaul Kit .....		6
291730	Cover Assembly—Gear Case .....	1	4
291838	Cleaner Assembly—Air .....	1	
	<i>Note:</i> No. 89980 Cleaner Assembly—Air .....	1	
	Used on type Nos. 105566, 105570, 105571, 105572, 105623.		
291849	Starter Assembly—Recoil (Bolt-On Type) .....	2	
	<i>Note:</i> No. 293079 Starter Assembly—Recoil (Bolt-On Type) .....	2	
	Used on type No. 105147.		
291905	Breather Assembly .....		2
292037	Cover and Filter—Air Cleaner .....		8
292038	Bowl—Air Cleaner .....		6
292046	Spring—Starter .....		5
292149	Cable—Ignition .....		2
	<i>Note:</i> No. 292915 Cable—Ignition .....		3
	Used on type Nos. 105169, 105210, 105526, 105528, 105531, 105552, 105565, 105575, 105583, 105614, 105615, 105617, 105624, 106031, 106033, 106521, 106522, 106523, 106524, 106525, 106526, 106527, 106528, 106529, 106530, 106531, 106532, 106534, 106535, 106536, 106537, 106541, 106543, 106546, 106548, 106549.		
	No. 292946 Cable—Ignition .....		2
	Used on type Nos. 105078, 105184, 105557, 105865, 105872, 105888.		
	No. 293141 Cable—Ignition .....		3
	Used on type Nos. 105083, 105086, 105112, 105116, 105117, 105164, 105167, 105197, 105598, 105899, 105603, 105606, 105610, 105612, 105618, 105622, 105623, 105901.		
	No. 293154 Cable—Ignition .....		3
	Used on type Nos. 105074, 105075, 105570, 105571, 105572, 105577, 105850, 105851.		
	Includes: No. 92707 Terminal—Shielding .....		1
	No. 293156 Cable—Ignition .....		3
	Used on type Nos. 105566, 105574.		
	Includes: No. 92707 Terminal—Shielding .....		1
292271	Ratchet—Recoil Starter .....		3
292272	Pulley—Recoil Starter .....	1	
292330	Control—Governor .....		3
	<i>Note:</i> No. 293336 Control—Top Speed Limit .....		3
	Used on type Nos. 105029, 105057, 105057, 105106, 105108, 105125, 105148, 105149, 105180, 105200, 105204, 105205, 105208, 105209, 105855.		
	No. 294020 Control—Top Speed Limit .....		3
	Used on type No. 105169.		
292661	Pipe—Fuel—11" long .....		3
	<i>Note:</i> No. 68049 Pipe—Fuel—36" long .....		6
	Used on type No. 105130.		
	No. 89663 Pipe—Fuel—11½" long .....		3
	Used on type No. 105855.		
	No. 99728 Pipe—Fuel—13¼" long .....		3
	Used on type Nos. 105854, 105859, 105860.		
	No. 291045 Pipe—Fuel—10¼" long .....		3
	Used between carburetor and fuel pump on type Nos. 105554, 106547.		
	No. 291288 Pipe—Fuel—8¾" long .....		3
	Used on type No. 105572.		
	No. 293053 Pipe—Fuel—7½" long .....		2
	Used on type Nos. 105041, 105046, 105059, 105061, 105067, 105068, 105069, 105073, 105085, 105088, 105104, 105110, 105118, 105122, 105129, 105135, 105137, 105142, 105143, 105145, 105174, 105183, 105184, 105185, 105836, 105877, 106035.		
	No. 293064 Pipe—Fuel—7½" long .....		2
	Used on type Nos. 105099, 105136, 105172, 105188, 105826, 105866, 105878.		

(See following page)

PARTS SECTION

MASTER PART No.	NAME	SHIPPING WEIGHT	
		Lbs.	Oz.
	No. 293203 Pipe—Fuel—14½" long		8
	Used on type Nos. 105084, 105591, 105619.		
	No. 293250 Pipe—Fuel—12¼" long		3
	Used on type Nos. 105103, 105109, 105120, 105128, 105141, 105586, 105590, 105593, 105595, 105860, 106024, 106523, 106526, 106529, 106531, 106534, 106536, 106539, 106546, 106548.		
	No. 293392 Pipe—Fuel—11" long		8
	Used on type Nos. 105121, 105604, 105605.		
	The following Fuel Pipes and Fittings used on type Nos. 105050, 105094, 105127, 105140, 105153, 105171, 105553, 105555, 105559, 105563, 105576, 105580, 105589, 105609, 105835, 105862, 105887, 106532, 106545.		
	No. 92713 Coupling		1
	No. 99511 Tee		1
	No. 292486 Wing Plug, Chain and Clip Assembly		2
	No. 292908 Pipe—Fuel (Short)		1
	No. 292909 Pipe—Fuel (Long)		3
	The following Fuel Pipes and Fittings used on type No. 106549:		
	No. 92713 Coupling		1
	No. 99511 Tee		1
	No. 292486 Wing Plug, Chain and Clip Assembly		2
	No. 294731 Pipe—Fuel (Long)		3
	No. 294747 Pipe—Fuel (Short)		1
	The following fuel pipe and fittings used on type No. 105901:		
	No. 293521 Pipe—Fuel		3
	No. 293059 Cap Assembly—Elbow		1
	No. 292370 Valve—Fuel Shut-Off		3
	No. 93013 Connector—Fuel Pipe		1
	No. 92953 Elbow—90° (at lower shut-off valve outlet)		1
	No. 293562 Pipe—Fuel—7½" long		2
	Used on type No. 106030.		
	No. 293776 Pipe—Fuel—11" long		3
	Used on type No. 105024.		
	No. 294184 Pipe—Fuel—14½" Long		3
	Used on type No. 105211.		
	No. 295050 Pipe—Fuel		1
	Used on type Nos. 105106, 105180, 105189, 105193, 105204.		
	Uses: No. 230317 Connector (at tank valve)		1
	No. 230318 Connector (at carburetor)		1
†292681	Valve Assembly—Carburetor Idle		1
292797	Outlet—Fuel Tank (includes strainer)		1
292920	Control—Throttle		2
	Note: No. 293009 Control—Throttle		6
	Used on type Nos. 105092, 105119, 105194, 105549.		6
292932	Thermostat Assembly		
292934	Magneto Assembly		7
	Note: No. 292935 Magneto Assembly		4
	Used on type Nos. 105021, 105026, 105031, 105051, 105076, 105091, 105097, 105107, 105127, 105191, 105203, 105534, 105535, 105536, 105561, 105601, 105607, 105854, 105876.		
	Includes: No. 66155 Wire—Ground		1
	No. 292936 Magneto Assembly		4
	Used on type Nos. 105169, 105210, 105526, 105528, 105531, 105552, 105565, 105575, 105583, 105614, 105615, 105617, 105624.		
	Includes: No. 292042 Wire—Ground		1
	No. 292937 Magneto Assembly		4
	Used on type Nos. 105558, 105586.		

(See following page)

† Included in Carburetor Overhaul Kit — Part No. 291691.

PARTS SECTION

MASTER PART NO.	NAME	SHIPPING WEIGHT	
		Lbs.	Oz.
	No. 202038 Magneto Assembly .....	4	
	Used on type Nos. 106010, 106011, 106017, 106021, 106022, 106023, 106024, 106025, 106026, 106027, 106030, 106032, 106034, 106035, 106510, 106511, 106517, 106544, 106545, 106547.		
	No. 202039 Magneto Assembly .....	4	
	Used on type Nos. 106031, 106033, 106521, 106522, 106523, 106524, 106525, 106526, 106527, 106528, 106529, 106530, 106531, 106532, 106534, 106535, 106536, 106537, 106541, 106543, 106546, 106548, 106549.		
	Includes: No. 202042 Wire—Ground .....		1
	No. 202075 Magneto Assembly .....	4	
	Used on type Nos. 105078, 105184, 105557, 105865, 105872, 105888.		
	No. 202080 Magneto Assembly .....	4	
	Used on type No. 105182.		
	Includes: No. 202042 Wire—Ground .....		1
	No. 202081 Magneto Assembly .....	4	
	Used on type No. 106539.		
	Includes: No. 202042 Wire—Ground .....		1
	No. 203047 Magneto Assembly .....	4	
	Used on type Nos. 105566, 105574.		
	Includes: No. 202042 Wire—Ground .....		2
	No. 203153 Magneto Assembly .....	4	
	Used on type No. 105570.		
	Includes: No. 202042 Wire—Ground .....		2
	No. 202190 Brush Assembly—Flywheel Grounding ....		3
	Uses: No. 202155 Brush .....		1
	No. 90050 Screw (Brush Lead) .....		1
	No. 92181 Washer—Lock (Brush Lead) .....		1
	No. 90923 Screw (For Mounting Brush Assembly) ....		1
	No. 203157 Magneto Assembly .....	4	
	Used on type Nos. 105074, 105075, 105572, 105850, 105851.		
	Includes: No. 202042 Wire—Ground .....		2
	No. 203238 Magneto Assembly .....	4	
	Used on type Nos. 105083, 105086, 105112, 105116, 105117, 105164, 105167, 105197, 105598, 105603, 105606, 105610, 105612, 105618, 105623, 105899, 105901.		
	Includes: No. 202042 Wire—Ground .....		2
	No. 203268 Magneto Assembly .....	4	
	Used on type No. 105571.		
	Includes: No. 202042 Wire—Ground .....		1
	No. 203316 Magneto Assembly .....	4	
	Used on type No. 105096.		
	No. 204301 Magneto Assembly .....	4	
	Used on type No. 105622.		
	Includes: No. 202042 Wire—Ground .....		1
202040	Plate—Magneto .....	2	
	Note: No. 202041 Plate—Magneto .....	2	
	Used on type Nos. 105021, 105026, 105031, 105051, 105076, 105091, 105097, 105107, 105127, 105191, 105203, 105534, 105535, 105536, 105561, 105601, 105607, 105854, 105876.		
	No. 202042 Plate—Magneto .....	2	
	Used on type Nos. 105558, 105571, 105586, 105622.		
202043	Blade—Governor .....		3
	Note: 203152 Blade—Governor .....		3
	Used on type No. 105570.		
	Uses: No. 90923 Screw (For Governor Blade Ground Wire) .....		1
202044	Tank Assembly—Fuel .....	2	
	Note: No. 200816 Tank Assembly—Fuel .....	2	8
	Used on type No. 105130.		
	No. 201286 Tank Assembly—Fuel .....		3
	Used on type Nos. 105564, 105568.		

(See following page)

PARTS SECTION

MASTER PART No.	NAME	SHIPPING WEIGHT	
		Lbs.	Oz.
	No. 201420 Tank Assembly—Fuel .....	3	
	Used on type No. 106022.		
	No. 201570 Tank Assembly—Fuel .....	3	
	Used on type No. 105572.		
	No. 202415 Tank Assembly—Fuel .....	3	13
	Used on type No. 105622.		
	(Mounting parts for above tanks, except No. 292944, are supplied by equipment manufacturer.)		
	No. 202045 Tank Assembly—Fuel .....	3	
	Used on type Nos. 105036, 105037, 105038, 105042, 105067, 105083, 105123, 105552, 105574, 105583, 105588, 105590, 105591, 105598, 105603, 105614, 105619, 105854, 105859, 105889, 105900, 106024, 106521, 106522, 106523, 106524, 106528, 106531, 106537, 106543.		
	No. 203038 Tank Assembly—Fuel .....	1	
	Used on type Nos. 105566, 105570, 105623.		
	No. 203130 Tank Assembly—Fuel .....	3	
	Used on type No. 105571.		
	No. 203134 Tank Assembly—Fuel .....	2	
	Used on type No. 105558.		
	No. 204692 Tank Assembly—Fuel .....	3	3
	Used on type No. 105901.		
	Uses: No. 01249 Plug—Drain .....		1
	No. 203007 Strainer—Fuel .....		3
202063	Control—Governor .....		3
203104	Bracket and Tube—Thermostat .....		6
203204	Wire—Ground—43" long .....		2
	Note: No. 203212 Wire—Ground—36" long .....		1
	Used on type Nos. 105083, 105169, 105182, 106031, 106033, 106524, 106526, 106536, 106539, 106548.		
	No. 203214 Wire—Ground—43" long .....		2
	Used on type No. 105074.		
	No. 203285 Wire—Ground—9" long .....		1
	Used on type Nos. 105116, 105197.		
203432	Starter Pulley with Screen .....		8
203477	Float—Carburetor .....		3
	Note: No. 00622 Float—Carburetor .....		3
	Used on engines before Serial No. 298439.		
†203478	Valve and Seat—Fuel Inlet .....		1
	Note: No. 00636 Valve and Seat—Fuel Inlet .....		1
	Used on engines before Serial No. 298439.		
203515	Body—Lower Carburetor .....		6
203517	Cleaner Assembly—Air (Used only with No. 294975 series carburetors)	1	
203578	Clutch Assembly—Recoil Starter .....	1	8
203642	Housing—Blower and Starter (For Recoil Starter) .....	2	
	Note: No. 203300 Housing—Blower and Starter (For Recoil Starter)...	2	
	Used on type No. 105617.		
	No. 204172 Housing—Blower and Starter (For Recoil Starter)...	1	3
	Used on type Nos. 105212, 105894.		
203034	Valve Assembly—Fuel Shut-Off .....		1
203091	Bowl—Air Cleaner .....		6
204075	Carburetor Assembly (with integral air cleaner elbow).....	1	
	Used on engines after Serial No. 493492.		
	Note: No. 204080 Carburetor Assembly.....	1	
	Used after Serial No. 493492 on type Nos. 105050, 105094, 105127, 105553, 105555, 105559, 105563, 105576, 105580, 105589, 105609, 105835, 105862.		
	No. 204090 Carburetor Assembly .....	1	
	Used after Serial No. 493492 on type No. 105554.		

† Included in Carburetor Overhaul Kit — Part No. 291691.

## NATION-WIDE SERVICE ORGANIZATION

To provide prompt and efficient service on Briggs & Stratton engines, Central and Authorized Service Distributors are located in principal cities of the United States and Canada in addition to thousands of Registered Service Dealers located in almost every community.

Each Authorized Service Organization carries a stock of original Briggs & Stratton repair parts. Each is equipped with special factory service tools and factory-trained mechanics, assuring expert repair service on all Briggs & Stratton engines.

All Authorized Service Organizations are instructed by the factory to replace free of charge all parts found to be defective in either material or workmanship, according to the conditions of the Briggs & Stratton Warranty.

All gratis work done under the warranty is the responsibility of the Authorized Service Organization until all the material involved and supporting facts are submitted to and approved by the factory.

In a difference of opinion regarding a Service Organization's decision, their terms should be accepted and, either through them or direct, have all materials and supporting facts submitted to the factory for review.

Genuine Briggs & Stratton service will assure continuous engine satisfaction. Our long experience in engine maintenance prompts us to urge that all service work be done by an Authorized Service Organization or at our factory. Mechanics unfamiliar with Briggs & Stratton engines, or without proper tools, should not be permitted to make major repairs.

Parts and repair work are F.O.B. any Authorized Briggs & Stratton Service Organization. The Central Service Distributor nearest you (see back page) will be glad to give you the name of our Engine Service Organization in your locality, or refer to the yellow classified advertising pages of your telephone directory.

## BRIGGS & STRATTON ENGINE WARRANTY

BE SURE TO FILL IN AND MAIL WARRANTY REGISTRATION CARD WHICH ACCOMPANIED ENGINE AT TIME OF PURCHASE

**THE WARRANTY** — For Ninety Days from purchase date, Briggs & Stratton Corporation will replace for the original purchaser, FREE OF CHARGE, any part or parts found, upon examination at any factory Authorized Service Distributor or at our factory at Milwaukee, Wisconsin, or at any Authorized Service Distributor's place of business, to be defective under normal use and service, on account of defects in material or workmanship.

All transportation charges on part or parts submitted for replacement under this warranty must be borne by purchaser.

**WHAT THIS WARRANTY DOES NOT INCLUDE** — This warranty does not cover the free replacement of parts inoperative because of wear occasioned by use. It does not cover the labor cost of replacing parts, neither is it effective if the engine has been the subject of misuse, negligence, or accident, nor if it has been repaired or altered, outside of our Milwaukee Factory or at any factory-approved Service Station, in any way which, in our judgment, affects its condition or operation.

## WARRANTY INSTRUCTIONS

When sending an engine, or engine parts, to a Briggs & Stratton Service Organization for service, at the same time always send by mail the following information:

Model Letter (or Number), Type Number, and Serial Number of the engine. (Take from metal plate on engine.)

Date purchased.

Kind of equipment engine is used on.

Name or trademark of manufacturer.

Name and address of dealer from whom purchased.

Approximate number of hours engine has run since equipment was bought.

Also, give complete report of trouble experienced and special servicing instructions.

The above information is necessary to insure prompt and proper service.

## AUTHORIZED SERVICE ORGANIZATION

There is a member of the Briggs & Stratton Service Organization in your neighborhood who is fully qualified to take care of your service needs. Space does not permit listing here, but if you will write to the nearest Central Service Distributor listed below, they will be glad to supply you with name and address.

STATE	CITY	NAME	LOCATION
Alabama	Birmingham 3	Birmingham Electric Battery Co.	Ave. B. at 23rd St.
Arizona	Phoenix	Motor Supply Co.	402-414 N. Central Ave.
Arizona	Tucson	Motor Supply Co.	140 S. 6th Ave.
California	Burlingame	Frank Edwards Co.	1541 Adrian Rd.
California	Los Angeles 15	Electric Equipment Co.	1611 S. Hope St.
Colorado	Denver 1	Spitzer Electric Company	43 W. 9th Ave.
Florida	Jacksonville 1	Spencer Electric, Inc.	40 W. Beaver St.
Florida	Miami 42	Electrical Equipment Co.	1415 N.W. 21st Terrace
Florida	Tampa 1	Spencer Auto Electric, Inc.	607-11 E. Cass St.
Georgia	Atlanta 3	Auto Electric & Magneto Co.	477 Spring St., N. W.
Illinois	Chicago 16	Mid-States Auto Electric Co.	1905 S. Michigan Ave.
Indiana	Indianapolis	Gulling Auto Electric Inc.	1201 Stadium Drive
Iowa	Des Moines 9	Magneto Carburetor & Electric Co., Inc.	1308 Grand Ave.
Kansas	Wichita 2	The E. S. Cowie Electric Co.	230 S. Topeka Ave.
Kentucky	Louisville 2	Central Service Sales Div.	737 S. 3rd St.
Louisiana	New Orleans 1	A. C. Suhren Co.	4640 So. Carrollton Ave.
Louisiana	Shreveport	Chain Battery & Automotive Supply, Inc.	Spring at Fannin St.
Massachusetts	Boston 64	W. J. Connell Co.	210 Needham St.
Michigan	Detroit 38	Auto Electric & Service Corporation	15550 Woodrow Wilson Ave.
Minnesota	Minneapolis 16	Reinhard Brothers Co., Inc.	4301 Highway No. 7
Missouri	Kansas City 8	The E. S. Cowie Electric Co.	1819 Wyandotte St.
Missouri	St. Louis 3	Medart Auto Electric Co., Inc.	3134 Washington Blvd.
Montana	Billings	Original Equipment, Inc.	905 Second Ave. No.
Nebraska	Omaha 2	Carl A. Anderson, Inc.	16th and Jones St.
New Mexico	Albuquerque	Spitzer Electrical Co. of New Mexico	3rd and Mountain Rd.
New York	Buffalo 14	The Battery & Starter Co., Inc.	2505 Main St.
New York	New York 19	The Durham Co., Inc.	606 W. 49th St.
New York	Syracuse 4	F. A. Crossman, Inc.	943 W. Genesee St.
North Carolina	Charlotte 1	Automotive Electric Associates, Inc.	306-14 N. Graham St.
Ohio	Columbus	Gardner, Inc.	122 N. Grant Ave.
Oklahoma	Oklahoma City 2	American Electric Ignition Co.	124 N. W. 8th St.
Oregon	Portland 9	Tracey & Co., Inc.	N. W. 10th and Glisan
Pennsylvania	Philadelphia 30	Auto Equipment & Service Co., Inc.	1522-24 Fairmount Ave.
Pennsylvania	Pittsburgh 24	Pitt Auto Electric Company	5135 Baum Blvd.
Tennessee	Knoxville 7	R. T. Clapp Company	2016 Magnolia Ave., N.E.
Tennessee	Memphis 4	Automotive Electric Service Co.	982 Linden Ave.
Texas	Amarillo	Beard & Stone Electric Company, Inc.	700 E. 10th St.
Texas	Dallas 1	Beard & Stone Electric Company, Inc.	3909 Live Oak St.
Texas	El Paso	Motor Supply Co.	308 Chihuahua St.
Texas	Houston 1	Beard & Stone Electric Company, Inc.	Milam at Polk Ave.
Texas	San Antonio 6	S. X. Callahan	425 N. Flores St.
Utah	Salt Lake City 13	Frank Edwards Co.	551 So. State St.
Virginia	Richmond 21	Richmond Battery & Ignition Co.	2912 W. Leigh St.
Washington	Seattle 4	Charles Stewart, Inc.	1741 First Ave. South
Washington	Spokane	Sunset Electric Co.	N. 703 Division St.
Wisconsin	Milwaukee 2	Wisconsin Magneto Co.	918 N. Broadway

### DOMINION OF CANADA

British Columbia	Vancouver	Auto Electric Service (Pacific) Ltd.	1025 Howe St.
Manitoba	Winnipeg	Auto Electric Service (Western) Ltd.	170 Fort St.
Ontario	Toronto 5	Auto Electric Service Company, Limited	1009 Bay St.

**BRIGGS & STRATTON CORP., Milwaukee 1, Wis., U. S. A.**

## Free Manuals Download Website

<http://myh66.com>

<http://usermanuals.us>

<http://www.somanuals.com>

<http://www.4manuals.cc>

<http://www.manual-lib.com>

<http://www.404manual.com>

<http://www.luxmanual.com>

<http://aubethermostatmanual.com>

Golf course search by state

<http://golfingnear.com>

Email search by domain

<http://emailbydomain.com>

Auto manuals search

<http://auto.somanuals.com>

TV manuals search

<http://tv.somanuals.com>