

-OLD-

OPERATING INSTRUCTIONS

Adjustment and Repair
Instructions • Parts List



MODELS
"8B"—"8B-FB"—"8B-R6"



BRIGGS & STRATTON CORPORATION
Milwaukee 1, Wis., U. S. A.

IMPORTANT SAFETY INFORMATION AND INSTRUCTIONS FOR ENGINE SELECTION ENGINE INSTALLATION ENGINE OPERATION

In the USA and Canada,
our 24 hour hotline is:

18002333723

Briggs & Stratton Corporation
Milwaukee, Wisconsin 53201

www.briggsandstratton.com

Keep these instructions for future reference.



Before installing and operating this engine read and observe all warnings, cautions and instructions on both sides of this sheet, on the engine, and in the operating & maintenance instructions.

NOTE: This sheet of instructions and safety information is not meant to cover all possible conditions and situations that may occur. Read entire Operating & Maintenance Instructions for this engine AND the instructions for the equipment this engine powers. Failure to follow instructions and safety information could result in serious injury or death.

The safety alert symbol () is used to identify safety information about hazards that can result in personal injury.

A signal word (DANGER, WARNING, or CAUTION) is used with the alert symbol to indicate the likelihood and the potential severity of injury. In addition, a hazard symbol may be used to represent the type of hazard.



DANGER indicates a hazard which, if not avoided, will result in death or serious injury.



WARNING indicates a hazard which, if not avoided, could result in death or serious injury.



CAUTION indicates a hazard which, if not avoided, might result in minor or moderate injury.

CAUTION, when used **without** the alert symbol, indicates a situation that **could result in damage to the engine.**

HAZARD SYMBOLS AND MEANINGS



Fire



Explosion



Moving Parts



Toxic Fumes



Hot Surface



Shock



Kickback

(OVER)

FORM MS-6445-01/03

ENGINE SELECTION

 WARNING

Failure to select the correct engine could result in fire or explosion.

- Some engines are unique and designed for specific applications or types of equipment. If this engine will be used to build new equipment, contact Briggs & Stratton to ensure that the engine is appropriate for the intended use.
Note: For all Go-karts use only a model 136200 series engine, which offers improved safety and performance.
- Replacement engines should be the same model as the original engine, or be the Briggs & Stratton designated replacement engine. Refer to the Operation & Maintenance Instructions for engine identification information.
Note: For all Go-karts use only a model 136200 series engine, which offers improved safety and performance.
- Do not use Briggs & Stratton engines on 3-wheel All-Terrain Vehicles (ATVs), motor bikes, air craft products, or vehicles intended for use in competitive events. Briggs & Stratton does not approve of or authorize such uses.

ENGINE INSTALLATION

- [1] Do not attempt to install this engine if you do not have the appropriate tools and knowledge of small engine installation procedures. Use only Briggs & Stratton parts. Contact your Authorized Service Dealer for assistance.
- [2] Do not modify the engine in any way without Briggs & Stratton factory approval. Any such modification is at the owner's sole risk.
- [3] If the exhaust system on the old engine was supplied by the equipment manufacturer, you must transfer the exhaust system and related components (original muffler and related pipes, brackets, clamps, and shields) to the new engine. All components must be in good condition.
- [4]

 WARNING	Install muffler (and muffler deflector if used) so outlet points away from operator, fuel tank, and equipment, and so muffler heat will not damage or deform engine and components.
	
- [5]

 WARNING	Ensure all fuel lines and fittings are properly assembled and do not leak. Replacement parts must be the same model as the original.
	
- [6]

 WARNING	Ensure all wiring, including safety switches and engine shut-off components are completely installed and functioning properly.
	
- [7] Set engine speed to equipment manufacturer's specification. Refer to equipment manufacturer's manual. Do not tamper with governor springs, or other parts that will increase engine speed above specification.

- [8]







 WARNING	All engine parts, including fuel cap, spark plug, muffler, air cleaner, and covers and guards for drive components (gears, belts, shafts, couplings, etc.) must be in place before attempting to start engine.
	
- [9]

 WARNING	If engine is installed on walk behind lawn mower, all mower components, including cutting blade, must be correctly installed before attempting to start engine.
	
- [10]

 WARNING	When working on the engine or equipment, remove spark plug wire from spark plug. For electric start, remove negative wire from battery.
	
- [11]

 WARNING	Do not check for spark with spark plug removed. Use Briggs & Stratton spark tester #19368.
	

ENGINE OPERATION

	 WARNING
	When adding fuel:
<p>Turn engine off and let engine cool at least 2 minutes before removing gas cap.</p> <p>Fill fuel tank outdoors or in well-ventilated area. Fill tank to about 1 inch below lowest portion of neck to allow for fuel expansion.</p> <p>Keep gasoline away from sparks, open flames, pilot lights, heat, and other ignition sources.</p>	
	 WARNING
	When starting engine:
<p>Remove all external equipment/engine loads.</p> <p>Wait until spilled fuel is evaporated. Start engine outdoors.</p> <p>Pull cord slowly until resistance is felt, then pull rapidly.</p> <p>If engine floods, set choke to OPEN/RUN, place throttle in FAST and crank until engine starts.</p>	
	 WARNING
	When operating equipment:
<p>Do not tip engine or equipment at angle which causes gasoline to spill.</p> <p>Run engine outdoors. Do not run in enclosed area, even if doors or windows are open.</p> <p>Do not choke carburetor to stop engine.</p>	

IMPORTANT!

Read these instructions carefully before operating this Engine for the first time.

Guessing how to run it may cause you unnecessary inconvenience, aggravation, or failure to receive the fine service that is built into it.

There is a right way to operate this Engine. This book tells you how.

Each Engine is carefully tested and adjusted at the factory before packing for shipment, and if correctly operated will perform beyond your expectations.

DO NOT START THIS ENGINE UNTIL YOU HAVE READ CAREFULLY THE INSTRUCTIONS ON PREPARING AND USING THE ENGINE, PAGES 3 TO 5.

For Maintenance Adjustments, see pages 6 to 11.

If you have difficulty in operating your engine and you need outside help, contact your dealer or nearest member of our Authorized Service Organization. See back cover.

Briggs & Stratton manufactured only the engine on your powered equipment. For other service or parts, write to the manufacturer of the complete equipment or see the dealer from whom purchased.

CAUTION!

1. **PROVIDE EFFICIENT VENTILATION.** Exhaust gases contain carbon monoxide which is odorless and a deadly poison. Proper care must be taken to provide efficient ventilation.
2. **DO NOT FILL GASOLINE TANK WHILE ENGINE IS RUNNING.** Avoid spilling gasoline on a hot engine — this may cause an explosion and serious injury.
3. **KEEP ENGINE CLEAN.** This engine is air-cooled. If cooling system becomes clogged, serious damage may result. Therefore, keep the blower screen, fins on flywheel, cylinder and cylinder head free from grass or dirt.

GENERAL INFORMATION

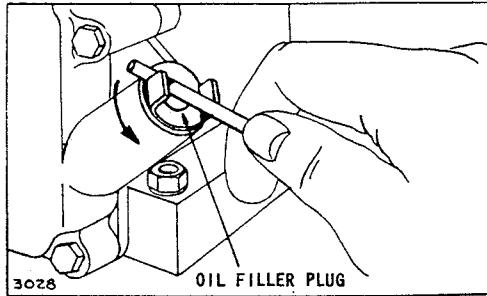
This engine is a single cylinder, L-Head air-cooled type; bore 2 $\frac{3}{8}$ " and stroke 1 $\frac{3}{4}$ ". It is rated at:

1.73 h.p. at 2200 r.p.m. 2.38 h.p. at 2900 r.p.m. 2.75 h.p. at 3600 r.p.m.

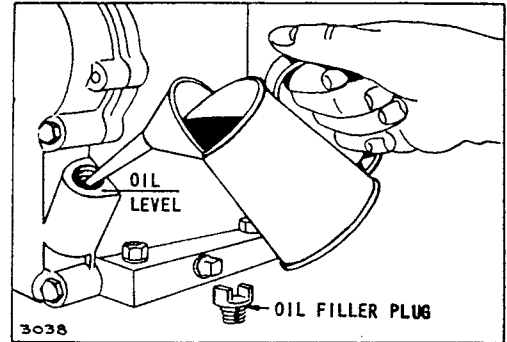
The horsepower ratings listed above are established by standard I.C.E.I. procedures. For practical operation, the horsepower loading should not exceed 85 per cent of these ratings. Engine power will decrease 3 $\frac{1}{2}$ per cent for each 1,000 feet above sea level, and 1 per cent for each 10 degrees above 60 degrees F.

PREPARATION OF ENGINE BEFORE STARTING

Fill Crankcase With Oil



Remove the oil filler plug. Use a screwdriver or bar. Some engines have oil filler cap. Use a wrench to remove.



Place the engine level. Fill the crankcase to overflowing. (Capacity 1¼ pints.) Replace oil filler plug or cap.

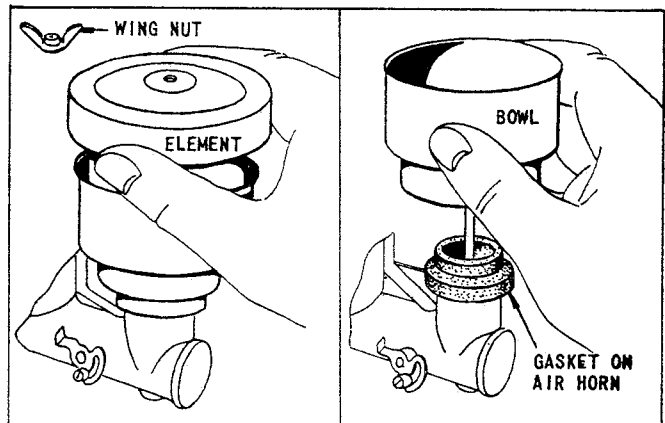
For temperatures 32° and above use Mobiloil Arctic S. A. E. No. 20 or equivalent.

For temperatures below 32° use Mobiloil 10W (S. A. E. No. 10W) or equivalent.

For temperatures below 0° add 1% of kerosene to the S. A. E. 10W oil for each degree below 0° but do not add more than 30%.

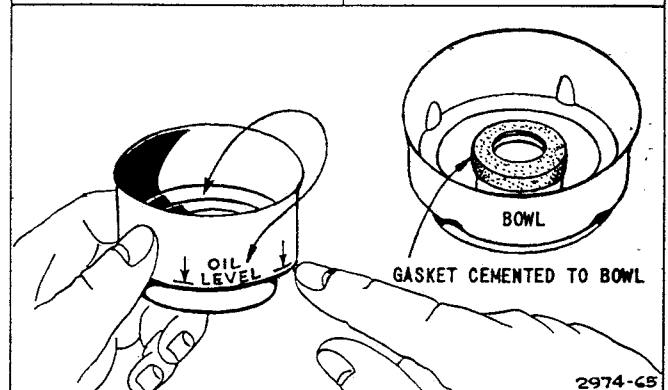
Put Oil In Air Cleaner

Air cleaner protects engine from grit and dirt. Use the same oil as in the crankcase. Remove wing nut. Lift out filter element. Lift off bowl. Pour in oil to "oil level" mark at end of arrows. Replace bowl, element, and wing nut. Be sure gaskets are in place.



Fill Fuel Tank

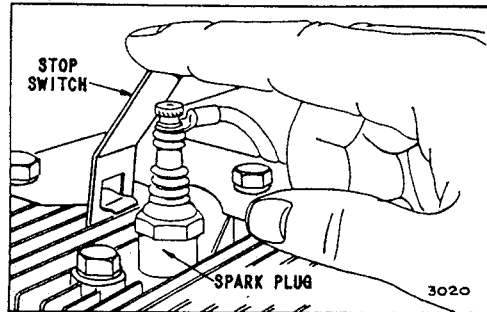
Use a good grade of regular, clean, fresh gasoline such as Mobilgas. *Never use gasoline that has been standing in a can for several months as gum may form under such conditions and may clog the carburetor, fuel tank, etc.* See that vent hole in cap is open. **DO NOT MIX OIL WITH GASOLINE.**



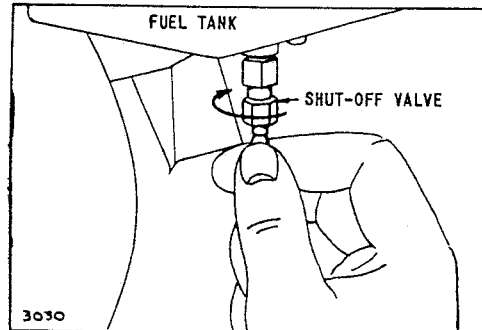
USING THE ENGINE

To Start Engine

1. Be Sure the Stop Switch Is Away from Spark Plug

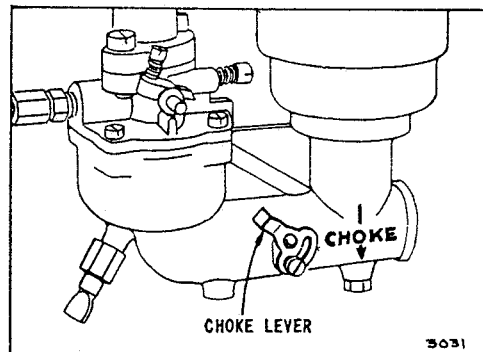


2. Open Fuel Valve



3. Close the Choke

Move lever in direction of arrow.



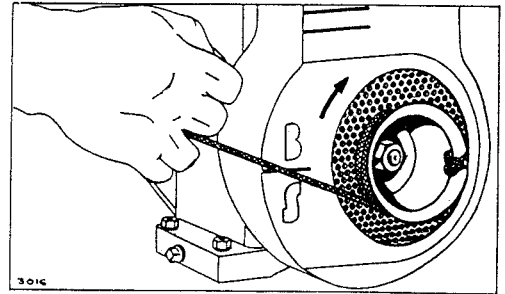
4. Place the Knot In Slot

Wind the starter rope around the pulley in direction shown by arrow. Then turn the pulley in the opposite direction (counterclockwise) until compression is felt. Pull the rope with a quick full arm stroke. Repeat if necessary with choke opened slightly. When engine starts open choke gradually.

Recoil Starter

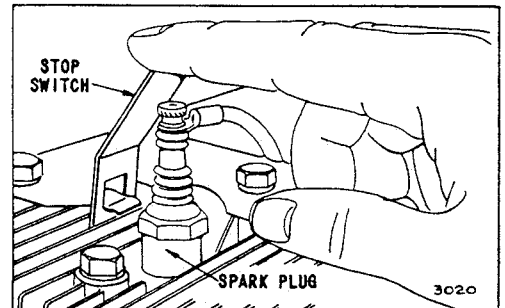
Pull rope slowly until starter clutch engages, then pull until the resistance of compression is felt. Continue to pull

slowly about 2 or 3 inches until compression ceases. Allow starter rope to recoil and again pull out slowly until starter clutch engages. Then pull with a quick full arm stroke to start engine. Hold starter grip and allow rope to recoil.



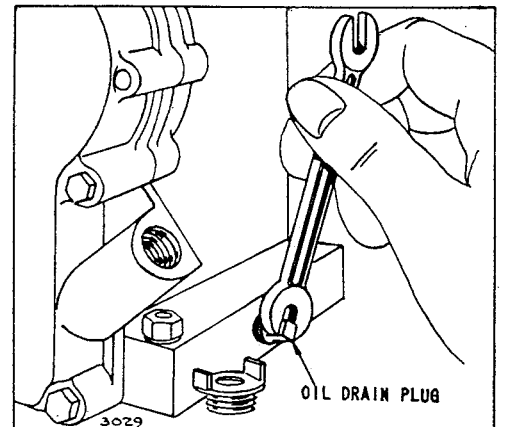
To Stop Engine

Push the stop switch against the end of spark plug.



Change Oil (Crankcase)

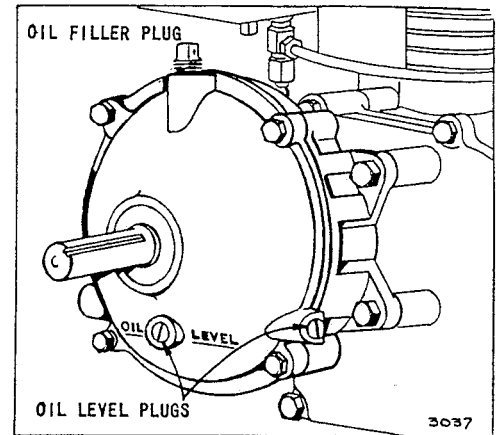
Change oil after 5 hours of operation. Remove the oil drain plug. Drain oil while the engine is warm. Replace drain plug. Remove oil filler cap or plug and refill with new oil. Replace oil filler cap or plug. Add oil regularly after each 5 hours of operation. Thereafter change oil every 25 hours of operation.



USING THE ENGINE

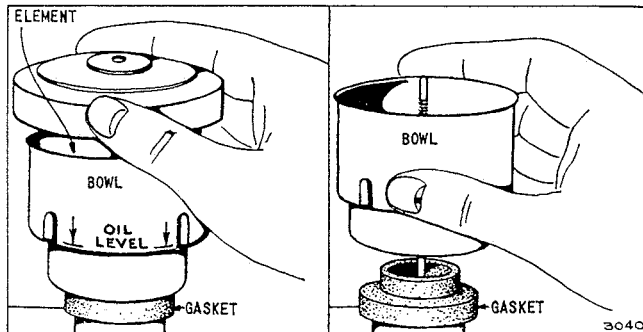
Check Oil (Gear Reduction)

6-TO-1 GEAR REDUCTION MODELS. Remove one of the oil plugs in lower half of gear cover every 100 hours of operation to check the oil level. To refill, pour oil (same grade as used in crankcase) into oil filler hole until oil runs out of lower hole. Replace both oil plugs.



Change Oil (Air Cleaner)

Check the air cleaner frequently (every few hours under extremely dusty conditions). Clean and refill at least every 25 hours.



1. Remove Wing Nut
2. Lift Out Element
3. Lift Off Bowl
4. Pour out old oil. Wash the filter element in gasoline. Clean bowl, wipe dry. Pour in oil to "oil level" mark shown. Replace bowl. Replace filter element and wing nut. Be sure gaskets are in place.

STORAGE INSTRUCTIONS

Engines stored any length of time should be completely drained of fuel to prevent gum deposits forming on essential parts such as the carburetor, fuel filter, fuel lines, and tank.

Such deposits may affect the operation of the engine when again used. Therefore, it is important that the following instructions be adhered to before storing the engine:

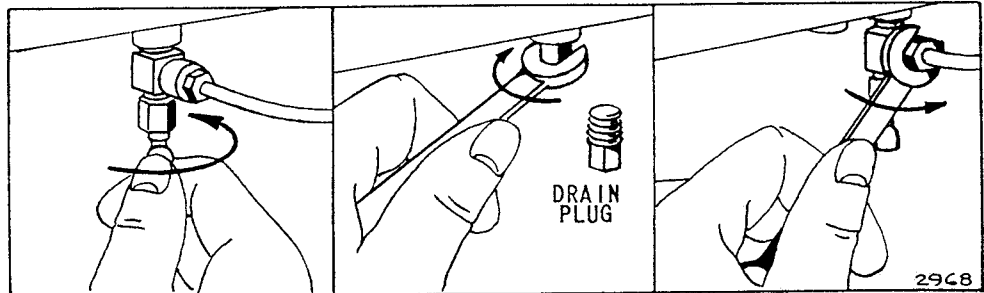
- a. Remove fuel tank drain plug. Open fuel valve. Drain tank completely.
- b. Operate engine until it stops from

exhaustion of fuel to clean gasoline out of carburetor.

- c. While the engine is still warm, drain oil from crankcase. Refill with fresh oil.
- d. Replace fuel tank drain plug.
- e. Leave fuel valve open.
- f. Remove spark plug, pour one ounce of S. A. E. No. 20 oil into cylinder and crank slowly to spread oil. Replace spark plug.
- g. Clean dirt and chaff from cylinder and cylinder head fins, blower housing, etc.

MAINTENANCE ADJUSTMENTS

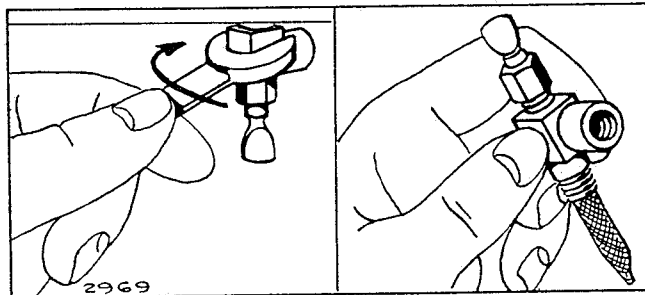
Draining Fuel Tank and Cleaning Fuel Filter



1. Close Fuel Valve

2. Remove Fuel Tank Drain Plug

3. Detach Fuel Pipe



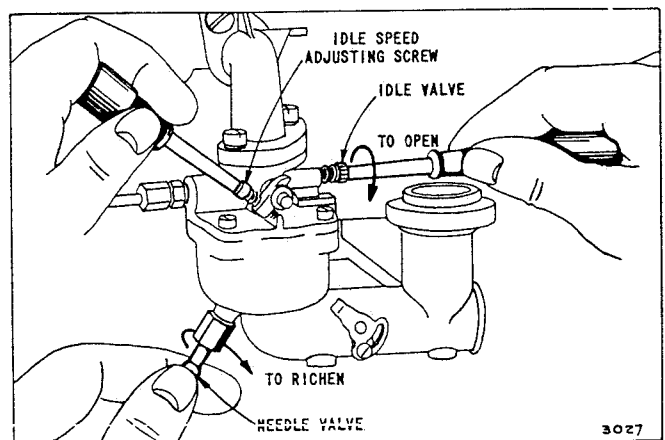
4. Remove Fuel Filter From Fuel Tank

5. Clean With Gasoline. Screen Not Removable. Replace Filter, Pipe Plug, and Fuel Line.

Carburetor Adjustments

Close the needle valve carefully to avoid damaging it. Then open it $1\frac{1}{2}$ turns. Close the idle valve. Open it $\frac{1}{2}$ to $\frac{3}{4}$ turn. Start engine and allow it to warm up.

Turn needle valve in until engine misses, then turn it out past smooth operating point until engine runs unevenly. Now turn needle valve in just far enough so engine runs smoothly.



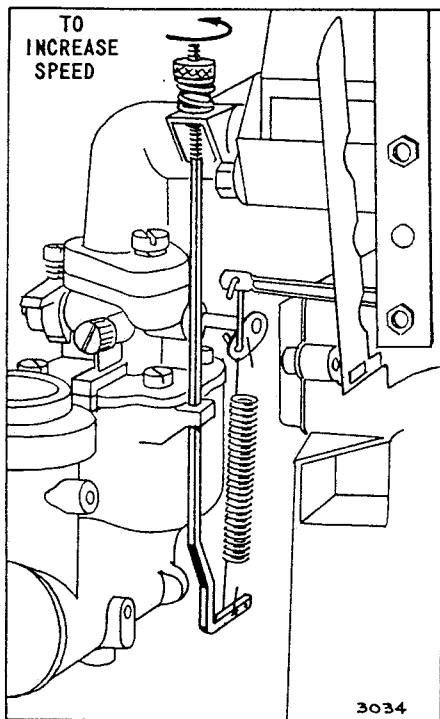
Set idle speed adjusting screw until engine idles at 1750 R.P.M. Hold throttle in idle position. Turn idle valve in or out until engine picks up speed and runs smoothly. Then again reset idle speed adjusting screw to bring engine to 1750 R.P.M. idling speed. Release throttle. Engine should accelerate without hesitation or sputtering. If it does not accelerate properly, the needle valve should be reset, usually to a richer mixture.

MAINTENANCE ADJUSTMENTS

Governor and Adjustments

There are two different types of governors used on these engines. They are air vane and mechanical governors. The correct operating speed range is 2200 to 3600 R.P.M. The standard speed setting (no load) is 3300 R.P.M. Idle speed is 1750 R.P.M.

Air Vane Governor Adjustments

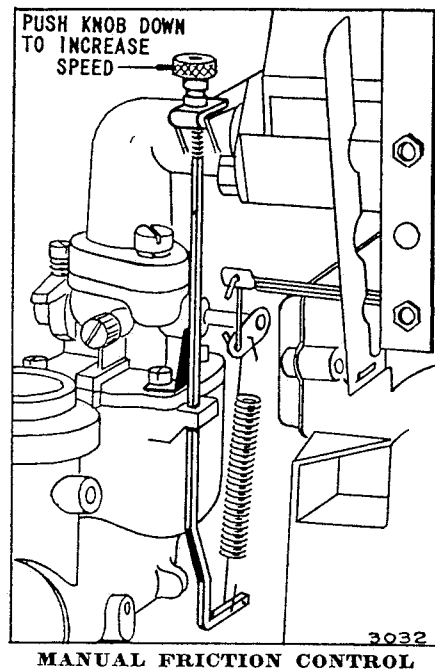


STANDARD SPEED CONTROL

Speed adjusting thumb nut is located on top of engine. To increase speed turn thumb nut counterclockwise.

MANUAL FRICTION CONTROL

Push knob down to increase speed.

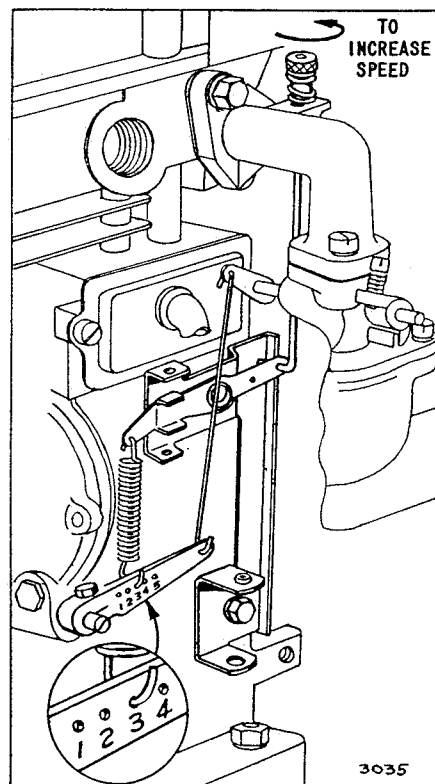


MANUAL FRICTION CONTROL

Mechanical Governor Adjustments →

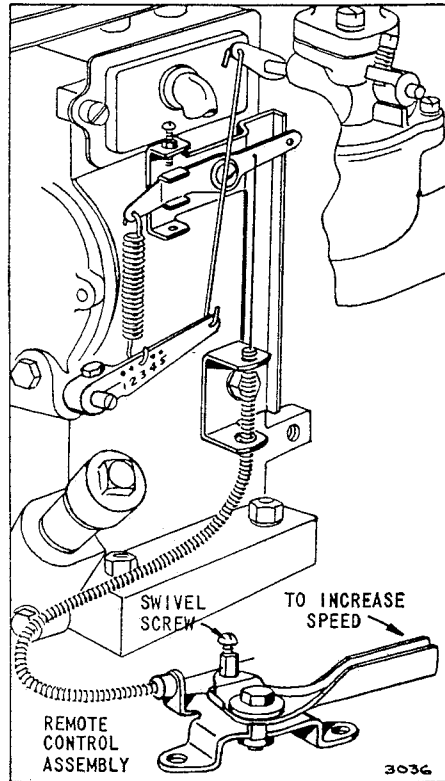
Speed adjusting thumb nut is located on top of engine. To increase speed turn adjusting thumb nut counterclockwise.

NOTE: Spring loop should be in No. 3 hole of governor lever.

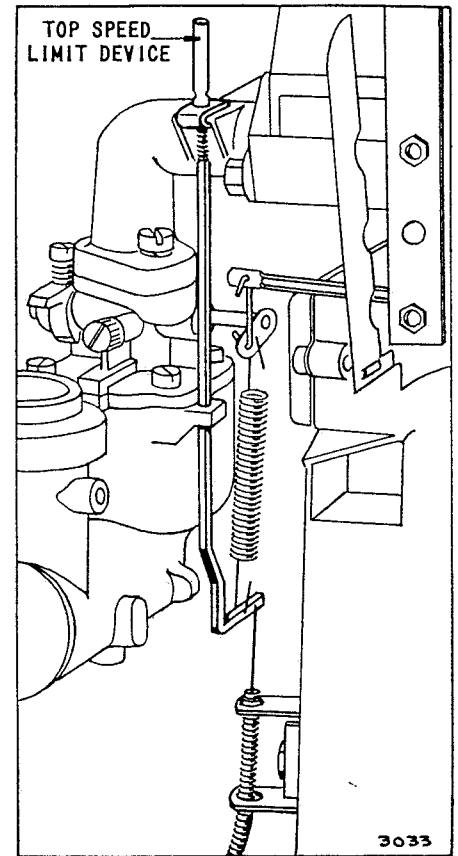


MAINTENANCE ADJUSTMENTS (Cont'd)

Remote Governor Controls



MECHANICAL GOVERNOR



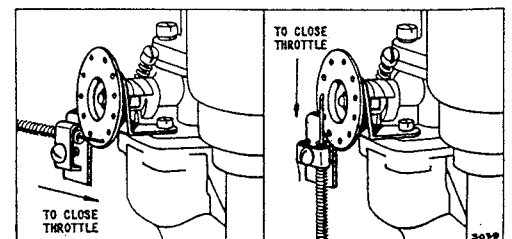
AIR VANE GOVERNOR

Engine speed is controlled by movement of the control lever as shown. Move control lever to HIGH speed position. Loosen swivel screw. Move wire through swivel until top speed limit device reaches stop. Retighten swivel screw. Bend loose end of wire around swivel. Cut off excess wire.

Remote Throttle Control

Top speed of the engine is controlled by the governor. All other speeds from idle to top speed are controlled by a remote control lever at some distance from engine.

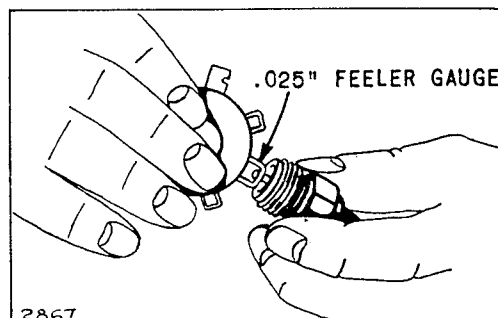
Move control lever to LOW speed position. Loosen screw on swivel. Move wire through swivel until carburetor throttle closes. Tighten swivel screw, bend loose end of wire around swivel. Cut off excess wire.



MAINTENANCE ADJUSTMENTS (Cont'd)

To Check Spark Plug Gap

Spark plug is 14mm (USE CHAMPION NO. J-8 OR EQUIVALENT). Keep a fresh plug on hand. Clean and reset the gap at .025" every 100 hours of operation. Use some graphite grease on threads when replacing spark plug.



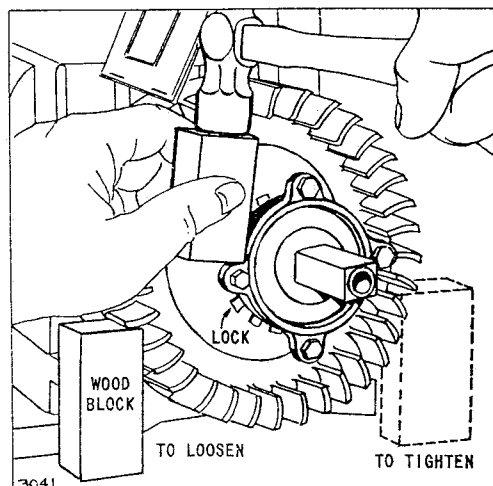
To Adjust and Clean Contact Points

Blower housing, flywheel, and magneto point dust cover must be removed.

To Remove Flywheel

Recoil Starter

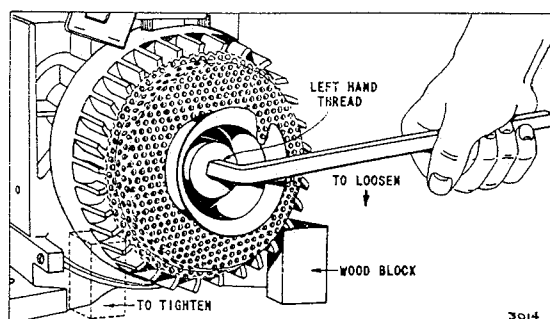
Take off blower housing with starter attached. Remove 4 screws and screen from clutch housing. Replace screws in housing. Bend back the lock tang on the rear of the clutch. Place a block of wood under fin on left side of flywheel. Hold a block of wood in close against one of the screw lugs. Use a hammer and drive clutch housing to the LEFT to loosen it.



To Remove Flywheel

Rope Starter

Remove blower housing. Place a block of wood under flywheel fin on the right side, close to the flywheel to hold it solid. Use a large wrench, turn to right to loosen. Crankshaft has LEFT hand thread.

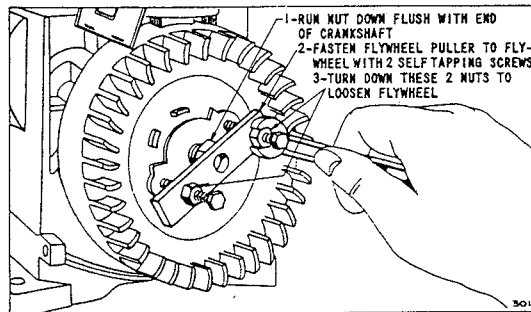


Never Try to Pry Off Flywheel

After removing nut, washer and pulley, loosen flywheel by using Flywheel Puller No. 19069.

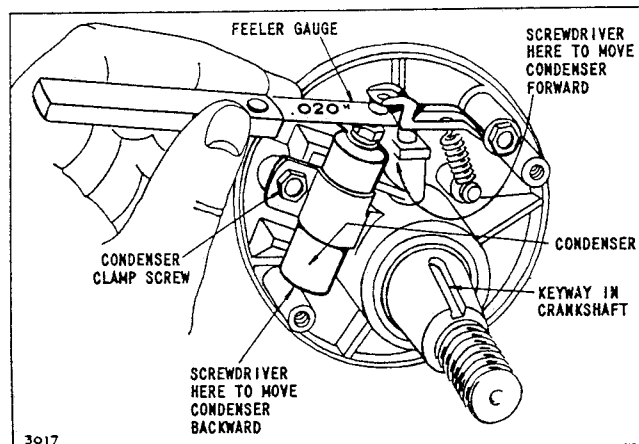
MAINTENANCE ADJUSTMENTS (Cont'd)

To Remove Flywheel With Flywheel Puller



Screw the nut back on shaft until it is flush with threads. Fasten flywheel puller to flywheel by screwing two self-tapping screws into holes provided in flywheel. Turn down the two nuts gradually until flywheel is loosened. Pull off flywheel. Save key.

To Adjust and Clean Contact Points



Remove dust cover. Points must be clean and line up squarely to make good contact. Do not file points — use fine sandpaper or hone to dress the points. Turn the crankshaft until points open to widest gap, or until keyway on crankshaft lines up with the plunger. Tighten the condenser clamp screw. Move condenser forward or backward with screwdriver until

gap of .020" is obtained. If either or both points become badly pitted or burned, replace with complete new Contact Point Bracket and Condenser. Replace dust cover.

To Reassemble Flywheel

Clean flywheel hole and tapered end of crankshaft thoroughly. Place keyway of crankshaft up. Put flywheel on shaft and align keyways. Insert the key into keyways and push it securely into place. (If key is partially sheared or damaged, replace with a new key, Part No. 61760. This is a soft metal key. DO NOT USE STEEL KEY.

Recoil Starter

Put the clutch lock on the crankshaft; then screw on the clutch housing. (Right hand thread.) Place a wood block under fin on right side of flywheel, hold a block in close against one of the screw lugs on clutch housing. Use heavy blows with a hammer to tighten clutch housing securely. Bend up one tang on lock to lock housing. Replace screen and blower housing with starter.

Rope Starter

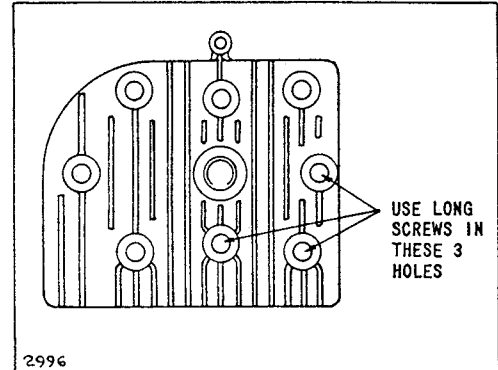
Assemble pulley and washer with hollow side next to pulley. Put on nut. Place the wood block under fin on left side of flywheel. Apply heavy pressure on wrench — seventy pounds at end of 10" wrench handle — to tighten nut. Replace blower housing.

Note. Flywheel key will shear if nut or clutch housing are not properly tightened. All Briggs & Stratton Service Organizations are equipped with special tools to tighten nut and clutch housing.

MAINTENANCE ADJUSTMENTS

Cylinder Head

Cylinder head is held in place with eight screws. Use the three long screws at the three holes shown.



IMPORTANT NOTICE

This book includes only necessary information for running your engine. Unless you have a thorough knowledge of internal combustion engines and proper tools, we do not recommend that you attempt to make major engine repairs. This does not mean that you shouldn't make necessary adjustments and simple repairs. For parts and service we advise you to get in touch with the nearest member of our Nation-wide Service Organization.

**PARTS SECTION
INDEX**

How to Find the Correct Number of Part You Need..... (See below)
Page
Numerical Parts List.....16-22

Illustrations of Parts Groups:

 Cylinder, Crankshaft, Piston and Connecting Rod Parts..... 13
 Fuel System, Magneto and Blower Housing Parts..... 14
 Gear Reduction, Mechanical Governor and Starter Parts..... 15

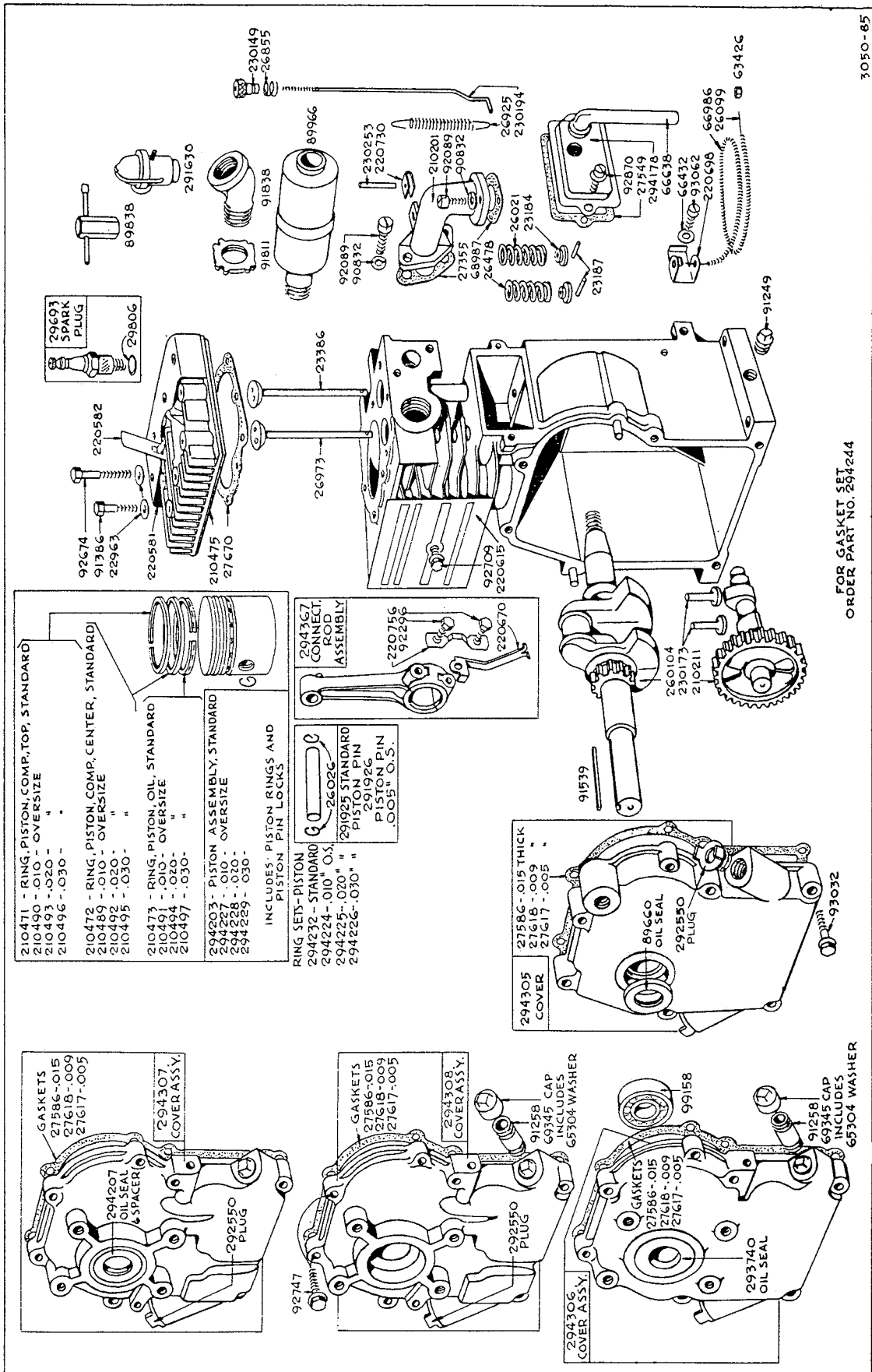
**HOW TO FIND THE CORRECT NUMBER
OF THE PART YOU NEED**

- a. Make a note of your engine MODEL AND TYPE NUMBER (not the Serial number) that appears on the metal nameplate attached to blower housing.
- b. Refer to pages illustrating parts and locate the Master Part Number by comparing your old part with illustrations. Assemblies include all part numbers shown in frames in illustration. All parts shown in assembly frames on which part numbers are given can be purchased separately.
- c. After the Master Part Number has been identified, refer to the following Parts List where these Master Part Numbers are listed in numerical order.

THE MASTER PART IS USED ON ALL TYPES OF ENGINES EXCEPT THOSE TYPES LISTED UNDER "NOTE."

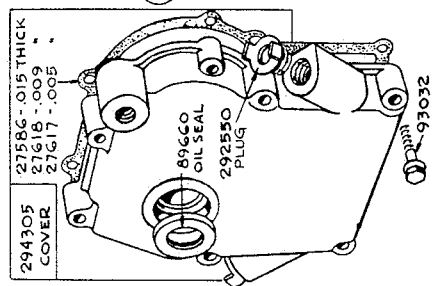
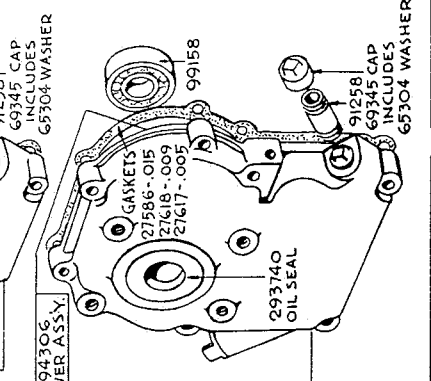
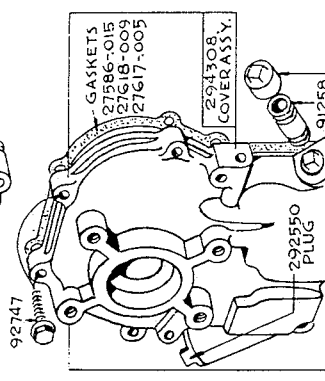
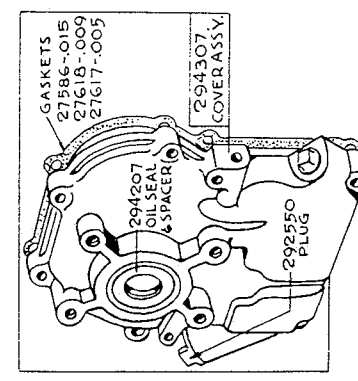
- d. If a "Note" appears below the Master Part Number, this means that this part is made differently from the Master Part for certain types, and if your type is listed under "Note" order the part referred to.
- e. If your Engine Type Number does not appear after any part number listed under "Note," order the Master Part Number.
- f. When ordering parts — or writing for service information — always specify the MODEL NUMBER — TYPE NUMBER — and SERIAL NUMBER of your engine.
- g. All parts should be ordered from the nearest member of our Nation-wide Service Organization. (See back cover.) In ordering parts by mail, selling prices will be furnished on request or parts will be shipped at prevailing prices.

PARTS SECTION



- | |
|---|
| 210471 - RING, PISTON, COMP. TOP, STANDARD |
| 210490 - .010 - OVERSIZE |
| 210493 - .020 - " |
| 210496 - .030 - " |
| 210472 - RING, PISTON, COMP. CENTER, STANDARD |
| 210489 - .010 - OVERSIZE |
| 210492 - .020 - " |
| 210495 - .030 - " |
| 210473 - RING, PISTON, OIL, STANDARD |
| 210491 - .010 - OVERSIZE |
| 210494 - .020 - " |
| 210497 - .030 - " |
| 294203 - PISTON ASSEMBLY, STANDARD |
| 294227 - .010 - OVERSIZE |
| 294228 - .020 - " |
| 294229 - .030 - " |
- INCLUDES: PISTON RINGS AND PISTON PIN LOCKS

- | |
|--------------------------------|
| 204367 - CONNECT. ROD ASSEMBLY |
| 220756 - PISTON PIN |
| 92226 - P. LOCK PIN |
| 0.03" O.S. |



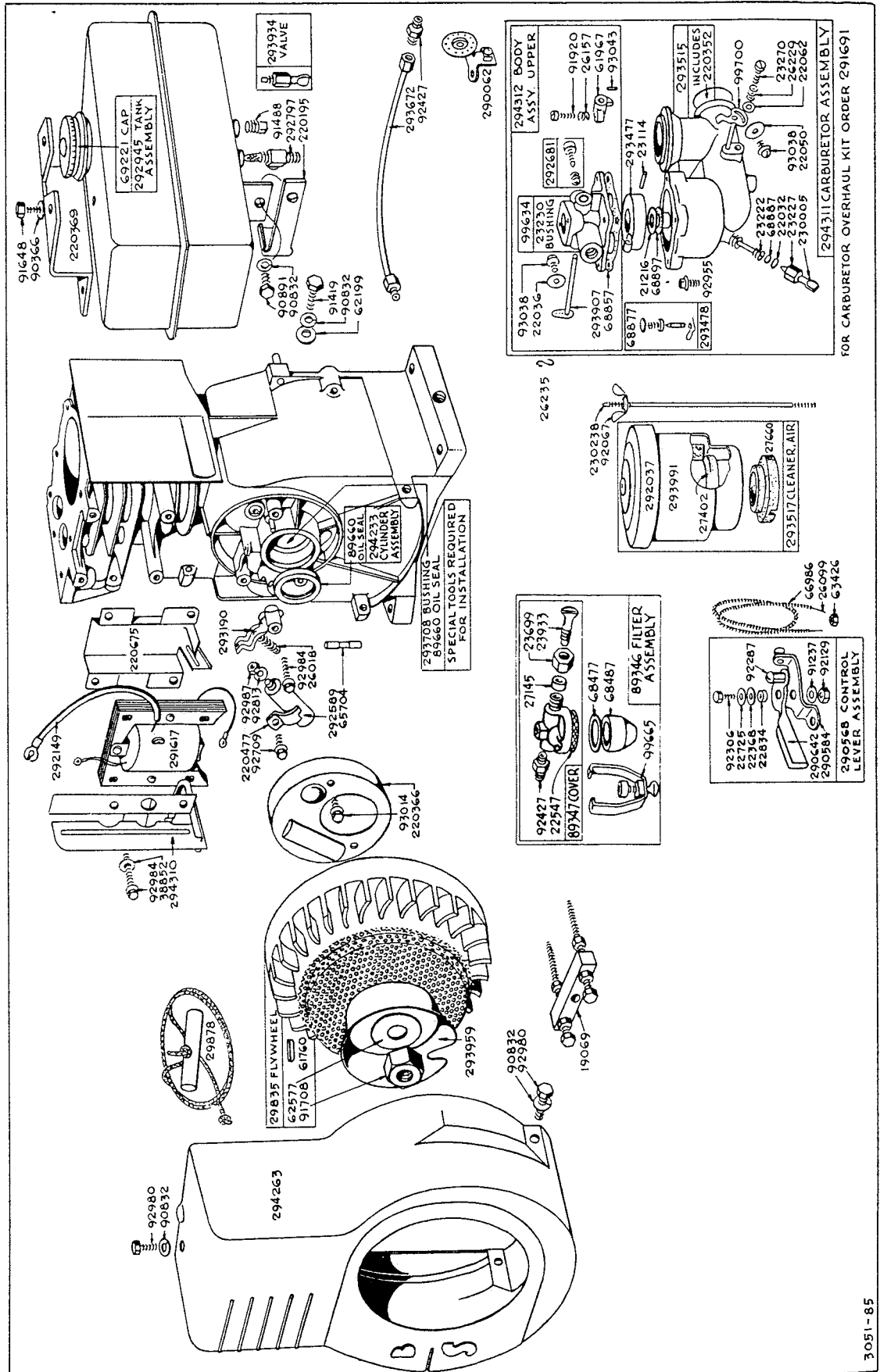
FOR GASKET SET
 ORDER PART NO. 294244

3050-85

CYLINDER, CRANKSHAFT, PISTON AND CONNECTING ROD PARTS

Assemblies include all parts shown in frames.

PARTS SECTION



FUEL SYSTEM, MAGNETO AND BLOWER HOUSING PARTS

14 Assemblies include all parts shown in frames.

PARTS SECTION

NUMERICAL PARTS LIST

MASTER PART NO.	NAME	SHIPPING WEIGHT	
		Lbs.	Oz.
19011	Seal—Oil		2
19069	Puller—Flywheel (Optional Accessory)		8
21216	Venturi—Carburetor		1
22031	Lock—Clutch Housing		2
†22032	Washer—Needle Valve Packing		1
22036	Valve—Throttle		1
22050	Valve—Choke		1
22062	Washer—Choke Lever		1
22082	Lock—Connecting Rod Screw		1
22368	Washer—Control Lever		1
22547	Screen—Fuel Filter		1
22725	Washer—Control Lever		1
22826	Washer—Spacer		1
22834	Washer—Spacer		1
22963	Washer—Cylinder Head		1
†23114	Pin—Float Hinge		1
23184	Retainer—Valve Spring		1
23187	Pin—Valve Spring Retainer		1
†23222	Nozzle—Carburetor		1
†23227	Nut—Needle Valve Packing		1
23230	Bushing—Throttle Shaft		1
23270	Screw—Choke Lever		1
23386	Valve—Intake		1
23688	Bushing—Governor Lever		1
23699	Nut—Fuel Shut-Off Lever		2
23933	Lever—Fuel Shut-Off		2
26018	Spring—Breaker Arm		1
26021	Spring—Intake Valve		1
26026	Lock—Piston Pin		1
26032	Spring—Clutch Retainer		1
26099	Wire—Control, 54" Long		2
	<i>Note: If longer wire is needed, specify length by inches; if shorter wire is needed order No. 26099 and cut to required length.</i>		
†26157	Spring—Throttle Adjustment		1
26229	Spring—Choke Lever		1
26235	Link—Governor		1
26478	Spring—Exhaust Valve		1
26502	Spring—Governor		1
26855	Spring—Control Rod		1
26925	Spring—Governor		1
26973	Valve—Exhaust		2
27145	Packing—Fuel Shut-Off Lever		1
27313	Gasket—Gear Case Cover		1
*27355	Gasket—Intake Elbow Mounting		1
27402	Gasket—Air Cleaner		1
*27549	Gasket—Valve Cover		1
*27586	Gasket—Crankcase—.015" Thick (Standard)		1
*27617	Gasket—Crankcase—.005" Thick		1
*27618	Gasket—Crankcase—.009" Thick		1
27660	Gasket—Air Cleaner Mounting		1
	<i>Note: No. 27666 Gasket—Air Cleaner Mounting.....</i>		
	<i>Used on type Nos. 905035, 905050.</i>		
27667	Gasket—Gear Case		1
27670	Gasket—Cylinder Head		1

† Included in Carburetor Overhaul Kit — Part No. 291691.

* Included in Gasket Set — Part No. 294244.

PARTS SECTION

MASTER PART NO.	NAME	SHIPPING WEIGHT	
		Lbs.	Oz.
29693	Plug—Spark (with gasket)		3
	<i>Note: No. 293923 Plug—Spark (with gasket)</i>		3
	Used on type No. 906528.		
29806	Gasket—Spark Plug		1
29835	Flywheel Assembly		6
29878	Rope—Starter		6
38852	Washer—Armature Mounting		1
61760	Key—Flywheel		1
61967	Stop—Throttle Lever		1
62199	Washer—Fuel Tank Bracket		1
62577	Washer—Flywheel		1
63426	Locknut—Control Wire Casing		1
63770	Ball—Clutch		1
65304	Gasket—Filler Cap		1
65704	Plunger—Breaker Point		1
66278	Grip—Starter Rope		2
66384	Rope—Starter		1
66432	Washer—Governor Bracket Mounting		1
66528	Bumper—Starter Pulley		1
66638	Tube—Breather		1
	<i>Note: No. 230346 Tube—Breather</i>		1
	Used on type Nos. 905035, 905050.		
	Uses: <i>No. 220754 Support—Tube</i>		1
	<i>No. 66578 Grommet (In Valve Cover)</i>		1
66986	Casing—Control Wire—48" Long		8
	<i>Note: If a longer casing is needed, specify length in inches; if a shorter casing is needed order No. 66986 and cut to required length.</i>		
68477	Gasket—Fuel Filter Bowl		1
68487	Bowl—Fuel Filter		1
†68857	Gasket—Carburetor Body		1
68877	Gasket—Fuel Inlet Valve Seat		1
†68887	Packing—Needle Valve		1
68897	Gasket—Carburetor Venturi		1
*†68987	Gasket—Carburetor Mounting		1
69221	Cap—Fuel Tank		2
	<i>Note: No. 69961 Cap—Fuel Tank</i>		2
	Used on type No. 905037.		
69345	Cap—Oil Filler		2
89346	Filter Assembly—Fuel		10
89347	Cover Assembly—Fuel Filter		3
89660	Seal—Oil		1
89838	Wrench—Spark Plug		6
89966	Muffler		4
	<i>Note. No. 292054 Muffler—Exhaust</i>		6
	Used on type Nos. 905022, 905029, 905030, 905045, 905532, 905821.		
	<i>No. 294010 Muffler</i>		4
	Used on type Nos. 905025, 905028, 905032, 905044, 905056, 905533, 905822, 906529.		
90289	Nut—Square—10-32		1
90366	Washer—Lock— $\frac{1}{2} \times \frac{1}{8} \times \frac{1}{16}$ "		1
90597	Screw—Machine, Rd. Hd.—10-32x $\frac{1}{2}$ "		1
90832	Washer—Lock— $\frac{1}{4} \times \frac{3}{8} \times \frac{1}{16}$ "		1
90891	Screw—Cap, Hex. Hd.— $\frac{1}{4}$ -20x $\frac{1}{2}$ "		1
	<i>Note: No. 91707 Screw—Cap, Hex. Hd.—$\frac{1}{4}$-20x$1\frac{7}{8}$"</i>		1
	<i>No. 230352 Spacer</i>		1
	Used on type No. 906021.		

† Included in Carburetor Overhaul Kit — Part No. 291691.

* Included in Gasket Set — Part No. 294244.

PARTS SECTION

MASTER PART NO.	NAME	SHIPPING WEIGHT	
		Lbs.	Oz.
91237	Washer—Lock— $\frac{1}{4} \times \frac{3}{8} \times \frac{3}{8}$ "		1
91249	Plug—Pipe, $\frac{1}{4}$ " Std., Square Hd.		1
91258	Nipple—Oil Filler		1
91386	Screw—Cylinder Head (2" Long)		1
91419	Screw—Cap, Hex. Hd.— $\frac{1}{4}$ -20x $\frac{5}{8}$ "		1
91488	Plug—Pipe, $\frac{1}{8}$ " Standard, Sq. Hd.		1
91539	Key— $\frac{3}{8}$ " Square		1
91541	Screw—Cap, Hex. Hd.— $\frac{1}{8}$ -24x $\frac{7}{8}$ "		1
91648	Screw—Cap, Hex. Hd.— $\frac{1}{8}$ -24x $\frac{1}{2}$ "		1
91708	Nut—Flywheel		1
91811	Locknut—Exhaust Elbow		1
91838	Elbow—Exhaust (45° Street)		3
	Note: No. 91943 Elbow—Exhaust (90° Street) Used on type No. 905028.		3
91920	Screw—Machine, Fill. Hd.—8-32x $\frac{5}{8}$ "		1
92015	Plug—Oil Drain (Gear Cover)		2
	Note: No. 92961 Elbow—Street, $\frac{1}{8}$ ", 90° Used on type No. 905822.		3
92067	Nut—Wing		1
92089	Screw—Machine, Fill. Hd.— $\frac{1}{4}$ -20x $\frac{3}{4}$ "		1
92129	Nut—Hex. $\frac{1}{4}$ -28		1
92271	Screw—Cap, Hex. Hd.— $\frac{1}{8}$ -18x1"		1
92278	Nut—Hex. $\frac{1}{4}$ -20		1
92287	Screw—Machine, Rd. Hd.—10-32x $\frac{1}{4}$ "		1
92290	Washer—Lock—No. 10x $\frac{1}{8}$ x $\frac{3}{4}$ "		1
92296	Screw—Connecting Rod		1
92306	Screw—Cap, Hex. Hd.— $\frac{1}{4}$ -28x $\frac{5}{8}$ "		1
92427	Connector—Tubing		1
92617	Plug—Breather		2
92674	Screw—Cylinder Head (2 $\frac{3}{8}$ " Long)		1
92709	Screw—Condenser Clamp and Cylinder Shield Mounting Sem.		1
92747	Screw—Crankcase Cover and Gear Case Mounting Sem.		1
92813	Washer—Lock—Shakeproof		1
92870	Screw—Breather Mounting Sem.		1
92955	Screw—Throttle Housing Mounting Sem.		1
92980	Screw—Fuel Tank and Blower Housing Mounting Sem.		1
92984	Screw—Armature and Breaker Arm Mounting Sem.		1
92987	Nut—Condenser Terminal		1
93014	Screw—Dust Cover Mounting Sem.		1
93032	Screw—Crankcase Cover Mounting Sem.		1
93038	Screw—Choke and Throttle Valve Mounting Sem.		1
93042	Screw—Rotating Screen Mounting Sem.		1
93043	Pin—Throttle Stop and Governor Shaft		1
93062	Screw—Governor Control Bracket Mounting Sem.		1
93064	Screw—Governor Housing to Crankcase Cover Mounting Sem.		1
93067	Screw—Governor Lever Mounting Sem.		1
93076	Screw—Chain Guard Mounting		1
93077	Screw—Governor Lever		1
93084	Screw—Set, Socket Hd., Cup Pont, 10-32x $\frac{1}{4}$ "		1
93085	Screw—Clamp Mounting		1
99158	Bearing—Ball		8
99634	Body—Upper Carburetor		4
99665	Yoke—Fuel Filter		2
99700	Shaft and Lever—Choke		2
210201	Elbow—Intake		6
210211	Gear—Cam		4
210400	Housing—Starter Clutch	1	
210471	Ring—Piston, Compression, Top—Standard	1	
210472	Ring—Piston, Compression, Center—Standard		1
210473	Ring—Piston, Oil—Standard		1

PARTS SECTION

MASTER PART NO.	NAME	SHIPPING WEIGHT	
		Lbs.	Oz.
210475	Head—Cylinder	1	4
210489	Ring—Piston, Compression, Center—.010" O.S.		1
210490	Ring—Piston, Compression, Top—.010" O.S.		1
210491	Ring—Piston, Oil—.010" O.S.		1
210492	Ring—Piston, Compression, Center—.020" O.S.		1
210493	Ring—Piston, Compression, Top—.020" O.S.		1
210494	Ring—Piston, Oil—.020" O.S.		1
210495	Ring—Piston, Compression, Center—.030" O.S.		1
210496	Ring—Piston, Compression, Top—.030" O.S.		1
210497	Ring—Piston, Oil—.030" O.S.		1
220195	Bracket—Fuel Tank		2
220234	Lock—Gear Case Mounting Screw		1
220352	Plug—Welch		1
220366	Cover—Breaker Point and Condenser		1
220369	Support—Fuel Tank		14
	<i>Note.</i> No. 220358 Support—Fuel Tank		14
	Used on type Nos. 905027, 905031, 905047, 905528.		
	No. 220607 Support—Fuel Tank	1	
	Used on type No. 906021.		
	No. 220755 Support—Fuel Tank	1	8
	Used on type Nos. 905035, 905050, 905822.		
220381	Follower—Governor Crank		1
220477	Clamp—Condenser		1
220574	Washer—Starter Clutch, Thrust		1
220575	Washer—Clutch Retainer		1
220581	Cover—Cylinder Head		2
220582	Switch—Stop		1
220615	Shield—Cylinder		1
220648	Screen—Recoil Starter		1
220670	Dipper—Connecting Rod		2
220673	Washer—Thrust		1
220675	Shield—Coil		1
220680	Washer—Thrust		1
220690	Lever—Mechanical Governor		1
220691	Bracket—Mechanical Governor		2
220692	Guide—Air		2
220698	Bracket—Control Wire Casing		1
220712	Pulley—Rope Starter		8
220713	Washer—Pinion Guard		4
220714	Guard—Electric Starter Chain		8
220730	Clip—Control Rod		1
220732	Lock—Starter Pulley Screw		1
220745	Clamp—Starter Clutch		2
220746	Washer—Thrust		1
220749	Bracket—Starter Support		
220750	Bracket—Fuel Tank		
220756	Lock—Connecting Rod Screw		1
230005	Valve—Needle		1
230149	Nut—Control Rod		1
230173	Tappet—Valve		1
230177	Cup—Governor		1
230181	Shaft—Governor Lever		1
230194	Rod—Control		1
230228	Pin—Starter Grip		1
230238	Stud—Air Cleaner		1
230253	Stop—Control Rod		1
230323	Rod—Contol (Mechanical Governor)		1
230348	Stud—Chain Tension Adjusting		1

PARTS SECTION

MASTER PART NO.	NAME	SHIPPING WEIGHT	
		Lbs.	Oz.
260076	Link—Throttle		1
260104	Crankshaft	1	8
	<i>Note:</i> No. 260105 Crankshaft	1	8
	Used on type Nos. 905011, 905012, 905023, 905025, 905027, 905030, 905031, 905033, 905036, 905040, 905042, 905043, 905046, 905047, 905050, 905056, 906011.		
	No. 260106 Crankshaft	1	8
	Used on type Nos. 905510, 905527, 905529, 905530, 905532, 905533, 906510, 906527, 906529, 906533.		
	No. 260107 Crankshaft	1	8
	Used on type Nos. 905521, 906531.		
	No. 260108 Crankshaft	1	8
	Used on type Nos. 905522, 905528.		
	No. 260109 Crankshaft	1	8
	Used on type Nos. 905523, 905531, 906528, 906530, 906532.		
	No. 260110 Crankshaft	1	8
	Used on type Nos. 905511, 905512, 906511.		
	No. 260111 Crankshaft	1	8
	Used on type No. 905524.		
	No. 260112 Crankshaft	1	8
	Used on type No. 905525.		
	No. 260113 Crankshaft	1	8
	Used on type No. 905526.		
	No. 260114 Crankshaft	1	8
	Used on type Nos. 905810, 905821, 905823, 905824, 905825, 906810.		
	No. 260115 Crankshaft	1	8
	Used on type Nos. 905811, 905812, 905822, 906811.		
	No. 260236 Crankshaft	1	8
	Used on type Nos. 905032, 905044.		
260230	Spring—Clutch		2
290062	Control—Throttle		4
290568	Lever Assembly—Control		4
290584	Base—Control Lever		2
290642	Lever—Control		2
290779	Case Assembly—Gear	1	8
290802	Shaft Assembly—Drive	3	8
291617	Armature—Magneto	1	2
291630	Shield—Spark Plug (With Stop Switch)		6
291691	Carburetor Overhaul Kit		6
291730	Cover Assembly—Gear Case	1	4
291925	Pin Assembly—Piston—Standard		3
291926	Pin Assembly—Piston—.005" O.S.		3
292037	Cover and Filter—Air Cleaner		8
292149	Cable—Ignition		2
	<i>Note:</i> No. 292915 Cable—Ignition		3
	Used on type Nos. 905021, 906527, 906529, 906530, 906531.		
	No. 292946 Cable—Ignition		2
	Used on type No. 905031.		
292550	Plug—Oil Filler		2
292589	Condenser		2
	No. 293999 Wire—Condenser Ground		1
	No. 92791 Washer—Lock—Shakeproof (2)		1
	<i>Note:</i> No. 90576 Nut—Hex.—8-32		1
	No. 90072 Screw—Machine, Rd. Hd.—8-32x $\frac{5}{8}$ "		1
	No. 66895 Insulator—Terminal		1
	Used on type No. 905028.		
292681	Valve Assembly—Carburetor Idle		1
292714	Gear—Governor		3

PARTS SECTION

MASTER PART NO.	NAME	SHIPPING WEIGHT	
		Lbs.	Oz.
292715	Housing—Governor		4
292797	Outlet—Fuel Tank (includes strainer).....		2
292945	Tank Assembly—Fuel	3	
	<i>Note:</i> No. 292944 Tank Assembly—Fuel	2	
	Used on type Nos. 905027, 905031, 905035, 905047, 905050, 905528.		
	No. 290816 Tank Assembly—Fuel	2	8
	Used on type No. 905037.		
	Mounting Parts for No. 290816 Tank are supplied by the equip- ment manufacturer.		
293190	Arm—Ignition Breaker		1
293477	Float—Carburetor		8
†293478	Valve and Seat—Fuel Inlet		1
293515	Body Assembly—Carburetor		6
293517	Cleaner Assembly—Air	1	
293672	Pipe—Fuel		4
	<i>Note:</i> No. 66608 Pipe—Fuel		1
	Used on type No. 905057.		
	Uses: No. 93060 Clamp (2)		1
	No. 230317 Connector (At Tank Valve)		1
	No. 230318 Connector (At Carburetor)		1
	No. 294184 Pipe—Fuel—14½" Long		3
	Used on type No. 905037.		
	No. 294323 Pipe—Fuel		4
	Used on type No. 906021.		
	No. 294393 Pipe—Fuel		4
	Used on type Nos. 905035, 905050, 905822.		
293708	Bushing—Cylinder		3
	<i>Note:</i> Requires special tools for installation.		
293740	Seal—Oil		4
293907	Shaft and Lever—Throttle		4
	<i>Note:</i> No. 99868 Shaft and Lever—Throttle		4
	Used on type Nos. 906010, 906011, 906510, 906511, 906527, 906528, 906529, 906810, 906811.		
293934	Valve Assembly—Fuel Shut-Off		1
293959	Starter Pulley with Screen		8
293991	Bowl—Air Cleaner		6
294077	Lever Assembly—Governor		2
294088	Pulley—Recoil Starter	1	
294132	Ratchet—Recoil Starter	1	8
294178	Breather—Valve Chamber		8
294203	Piston Assembly—Standard		8
294207	Oil Seal and Spacer		3
294224	Ring Set—.010" O.S. Piston		3
294225	Ring Set—.020" O.S. Piston		3
294226	Ring Set—.030" O.S. Piston		3
294227	Piston Assembly—.010" O.S.		8
294228	Piston Assembly—.020" O.S.		8
294229	Piston Assembly—.030" O.S.		8
294232	Ring Set—Standard Piston		3
294233	Cylinder Assembly	3	9
294237	Motor—Electric Starting		
294240	Clutch Assembly—Electric Starter		
294243	Chain—Electric Starter Drive		6
294244	Gasket Set		4
294245	Screen—Electric Starter Rotating		3

† Included in Carburetor Overhaul Kit — Part No. 291691.

PARTS SECTION

MASTER PART NO.	NAME	SHIPPING WEIGHT	
		Lbs.	Oz.
294260	Housing—Blower (Recoil Starter)	2	
294263	Housing—Blower (Rope Starter)		14
294264	Clutch Assembly—Recoil Starter	1	8
294291	Housing—Blower (Electric Starter)	1	4
294303	Spring—Recoil Starter		5
294305	Cover Assembly—Crankcase (Used on Model 8B)	2	
294306	Cover Assembly—Crankcase (Used on Model 8B-FB)	2	
294307	Cover Assembly—Crankcase (Used on Model 8B with Mechanical Governor)	2	
294308	Cover Assembly—Crankcase (Used on Model 8B-R6)	2	
294310	Blade—Governor		3
294311	Carburetor Assembly	1	
	<i>Note: No. 294313 Carburetor Assembly</i>	1	
	Used on type Nos. 906010, 906011, 906021, 906510, 906511, 906527, 906528, 906529, 906530, 906531, 906810, 906811.		
294312	Housing Assembly—Throttle		4
	<i>Note: No. 89495 Housing Assembly—Throttle</i>		
	Used on type Nos. 906010, 906011, 906021, 906510, 906511, 906527, 906528, 906529, 906530, 906531, 906810, 906811.		
294342	Adapter—Shaft		
294343	Sprocket—Electric Starter		
294367	Rod Assembly—Connecting		12

NATION-WIDE SERVICE ORGANIZATION

To provide prompt and efficient service on Briggs & Stratton engines, Authorized Service Distributors and Engine Service Stations are located in the principal cities of the United States and Canada.

Each Authorized Service Organization carries a complete stock of original Briggs & Stratton repair parts. Each is equipped with special factory service tools and factory-trained mechanics, assuring expert repair service on all Briggs & Stratton engines.

All Authorized Service Organizations are instructed by the factory to replace free of charge all parts found to be defective in either material or workmanship, according to the conditions of the Briggs & Stratton Warranty.

All gratis work done under the warranty is the responsibility of the Authorized Service Organization until all the material involved and supporting facts are submitted to and approved by the factory.

In a difference of opinion regarding a Service Organization's decision, their terms should be accepted and, either through them or direct, have all materials and supporting facts submitted to the factory for review.

Genuine Briggs & Stratton service will assure continuous engine satisfaction. Our long experience in engine maintenance prompts us to urge that all service work be done by an Authorized Service Organization or at our factory. Mechanics unfamiliar with Briggs & Stratton products, or without proper tools, should not be permitted to make major repairs.

Parts and repair work are F. O. B. Factory or any Authorized Briggs & Stratton Service Distributor or Engine Service Station. The Service Distributor nearest you (see back page) will be glad to give you the name of our Engine Service Organization in your locality. Space does not permit listing here.

BRIGGS & STRATTON ENGINE WARRANTY

BE SURE TO FILL IN AND MAIL WARRANTY REGISTRATION CARD WHICH ACCOMPANIED ENGINE AT TIME OF PURCHASE

THE WARRANTY—For Ninety Days from purchase date, Briggs & Stratton Corporation will replace for the original purchaser, FREE OF CHARGE, any part or parts found, upon examination at any Factory Authorized Service Distributor or at our Factory at Milwaukee, Wisconsin, or at any Authorized Service Distributor's place of business, to be defective under normal use and service, on account of defects in material or workmanship.

All transportation charges on part or parts submitted for replacement under the warranty must be borne by purchaser.

WHAT THIS WARRANTY DOES NOT INCLUDE—This warranty does not cover the free replacement of parts inoperative because of wear occasioned by use. It does not cover the labor cost of replacing parts, neither is it effective if the engine has been the subject of misuse, negligence, or accident, nor if it has been repaired or altered, outside of our Milwaukee Factory or any factory-approved service station, in any way which, in our judgment, affects its condition or operation.

WARRANTY INSTRUCTIONS

When sending an engine, or engine parts, to a Briggs & Stratton Service Organization for service, at the same time always send by mail the following information: Model Letter (or Number), Type Number, and Serial Number of the engine (take from metal plate on engine).

Date purchased.

Kind of equipment engine is used on.

Name or trademark of manufacturer.

Name and address of dealer purchased from.

Approximate number of hours engine has run since equipment was bought.

Also, give complete report of trouble experienced and special servicing instructions.

The above information is necessary to insure prompt and proper service.

AUTHORIZED SERVICE ORGANIZATION

There is a member of the Briggs & Stratton Service Organization in your neighborhood who is fully qualified to take care of your service needs. Space does not permit listing here, but if you will write to the nearest distributor listed below, they will be glad to supply you with name and address.

STATE	CITY	NAME	LOCATION
Alabama	Birmingham 3	Birmingham Electric Battery Co.	Ave. B. at 23rd St.
Arizona	Phoenix	Motor Supply Co.	402-414 N. Central Ave.
California	Los Angeles 15	Electric Equipment Co.	1611 S. Hope St.
California	San Francisco 9	Frank Edwards Co., Automotive Service Div.	382-4 Sixth St.
Colorado	Denver 1	Spitzer Electric Company	43 W. 9th Ave.
Florida	Jacksonville 1	Spencer Electric, Inc.	40 W. Beaver St.
Florida	Miami 42	Electric Equipment Co.	1415 N.W. 21st Terrace
Florida	Tampa 1	Spencer Auto Electric, Inc.	607-11 E. Cass St.
Georgia	Atlanta 3	Auto Electric & Magneto Co.	477 Spring St., N. W.
Illinois	Chicago 16	Mid-States Auto Electric Co.	1905 S. Michigan Ave.
Indiana	Indianapolis 4	Gulling Auto Electric Co.	450 N. Capitol Ave.
Iowa	Des Moines 9	Magneto Carburetor & Electric Co., Inc.	1308 Grand Ave.
Kansas	Wichita 2	The E. S. Cowie Electric Co.	230 S. Topeka Ave.
Kentucky	Louisville 2	Kentucky Ignition Co., Inc.	737 S. 3rd St.
Louisiana	New Orleans 1	A. C. Suhren Co.	4640 So. Carrollton Ave.
Louisiana	Shreveport	Chain Battery & Automotive Supply, Inc.	Spring at Fannin St.
Massachusetts	Boston 64	W. J. Connell Co.	210 Needham St.
Michigan	Detroit 38	Auto Electric & Service Corporation	15550 Woodrow Wilson Ave.
Minnesota	Minneapolis 2	Reinhard Brothers Co., Inc.	11 S. Ninth St.
Missouri	Kansas City 8	The E. S. Cowie Electric Co.	1819 Wyandotte St.
Missouri	St. Louis 3	Medart Auto Electric Co., Inc.	3134 Washington Blvd.
Montana	Billings	Original Equipment, Inc.	423 N. Broadway
Nebraska	Omaha 2	Carl A. Anderson, Inc.	16th and Jones St.
New Mexico	Albuquerque	Spitzer Electrical Co. of New Mexico	3rd and Mountain Rd.
New York	Buffalo 14	The Battery & Starter Co., Inc.	2505 Main St.
New York	New York 19	The Durham Co., Inc.	606 W. 49th St.
New York	Syracuse 4	F. A. Crossman, Inc.	943 W. Genesee St.
North Carolina	Charlotte 1	Automotive Electric Associates, Inc.	306-14 N. Graham St.
North Dakota	Fargo	Reinhard Brothers Co., Inc.	301 N. Pacific Ave.
Ohio	Cincinnati 2	Gardner, Inc.	1847 Reading Rd.
Ohio	Cleveland 15	The Electric Power & Maintenance Co.	Prospect at East 30th
Ohio	Toledo 2	Electric Power & Maintenance Co.	26-30 Seventeenth St.
Oklahoma	Oklahoma City 2	American Electric Ignition Co.	124 N. W. 8th St.
Oregon	Portland 9	Tracey & Co., Inc.	N. W. 10th and Glisan
Pennsylvania	Philadelphia 30	Auto Equipment & Service Co., Inc.	1522-24 Fairmount Ave.
Pennsylvania	Pittsburgh 24	Pitt Auto Electric Company	5135 Baum Blvd.
South Dakota	Sioux Falls	Reinhard Brothers Co.	225 E. 11th St.
Tennessee	Knoxville 7	R. T. Clapp Company	2016 Magnolia Ave., N.E.
Tennessee	Memphis 4	Automotive Electric Service Co.	982 Linden Ave.
Texas	Amarillo	The E. S. Cowie Electric Co.	700 E. 10th St.
Texas	Dallas 1	Beard & Stone Electric Company, Inc.	3909 Live Oak St.
Texas	El Paso	Motor Supply Co.	308 Chihuahua St.
Texas	Houston 1	Beard & Stone Electric Company, Inc.	Milam at Polk Ave.
Texas	San Antonio 6	S. X. Callahan	425 N. Flores St.
Utah	Salt Lake City 13	Frank Edwards Co., Motor Equipment Div.	551 So. State St.
Virginia	Richmond 21	Richmond Battery & Ignition Co.	2912 W. Leigh St.
Washington	Seattle 4	Charles Stewart, Inc.	1741 First Ave. South
Washington	Spokane	Sunset Electric Co.	N. 703 Division St.
Wisconsin	Milwaukee 2	Wisconsin Magneto Co.	918 N. Broadway
DOMINION OF CANADA			
British Columbia	Vancouver	Auto Electric Service (Pacific) Ltd.	1025 Howe St.
Manitoba	Winnipeg	Auto Electric Service (Western) Ltd.	176 Fort St.
Ontario	Toronto 5	Auto Electric Service Company, Limited	1009 Bay St.

BRIGGS & STRATTON CORP., Milwaukee 1, Wis., U. S. A.

Free Manuals Download Website

<http://myh66.com>

<http://usermanuals.us>

<http://www.somanuals.com>

<http://www.4manuals.cc>

<http://www.manual-lib.com>

<http://www.404manual.com>

<http://www.luxmanual.com>

<http://aubethermostatmanual.com>

Golf course search by state

<http://golfingnear.com>

Email search by domain

<http://emailbydomain.com>

Auto manuals search

<http://auto.somanuals.com>

TV manuals search

<http://tv.somanuals.com>