

114900 to 114999

Illustrated Parts List

Model Series

114900 to 114999

Non-Compliance

TYPE NUMBERS
0015 through 0054
0101 through 0157
0168 through 0187

Compliance

TYPE NUMBERS
3015, 3016,
3050, 3051,
3111 through 3157

TO FIND

THE CORRECT NUMBER OF THE PART YOU NEED:

FOLLOW THE INSTRUCTIONS BELOW

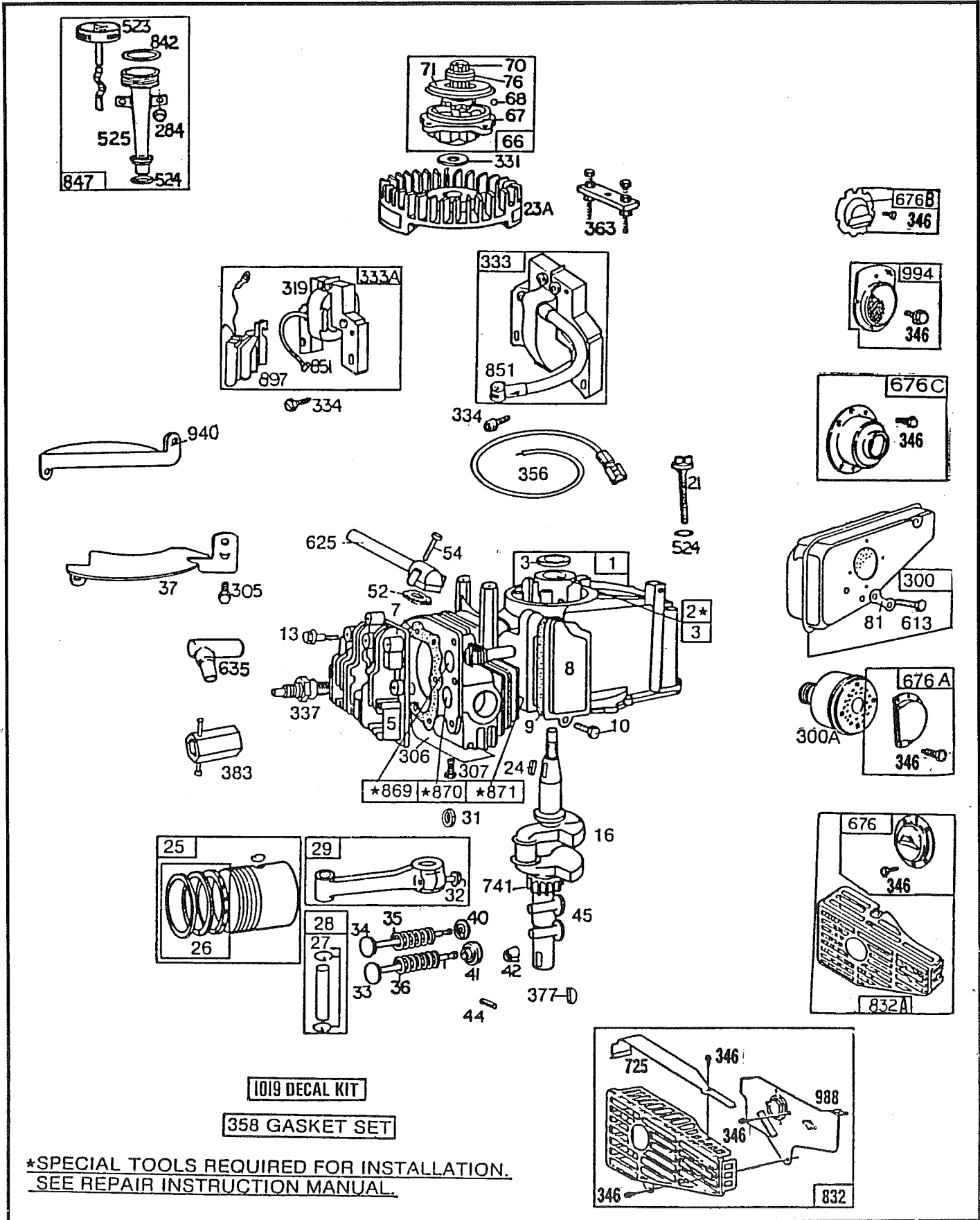
- A. Refer to Engine Model, Type and Code Number that is stamped on the blower housing of engine. Engine type numbers such as 012301 are listed herein only as 0123. The two digits (01 or 02, etc.) to the right of the space are not needed for parts identification. Then use the Illustrated Parts List covering the Model Series.
- B. Refer to Illustrated Parts section and compare the old part with illustration. The number on the illustration is the Reference Number. Assemblies include all parts shown in frames. All parts shown in assembly frames on which individual reference numbers are given can be purchased separately.
- C. After the Reference Number has been identified, refer to the Numerical Parts List, where Reference and Master Part Number are listed. **THE MASTER PART IS USED ON ALL TYPE NUMBERS EXCEPT THOSE TYPE NUMBERS UNDER "NOTE".**
- D. If a "Note" appears below the Master Part Number, this means that this part differs from the Master Part for certain types. If the Type number is listed under "Note", order the part referred to.
- E. If the Engine Type Number does not appear after any part number listed under "Note", use the Master Part Number.
- F. For Type Numbers higher than those covered by this book, please refer to the factory if you are unable to identify the part by comparison.

PRINTED IN U.S.A.

BRIGGS & STRATTON

COPYRIGHT®

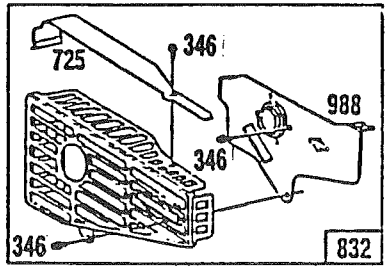
114900 to 114999



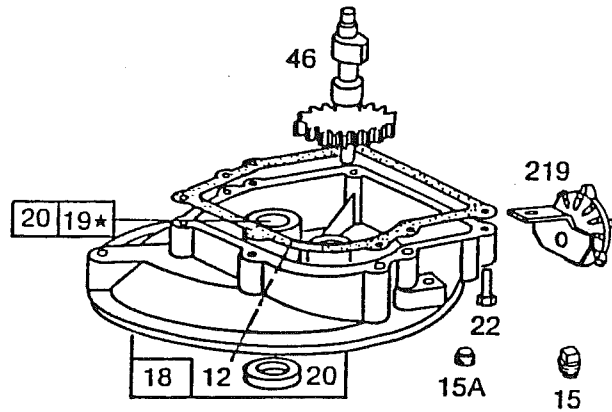
1019 DECAL KIT

358 GASKET SET

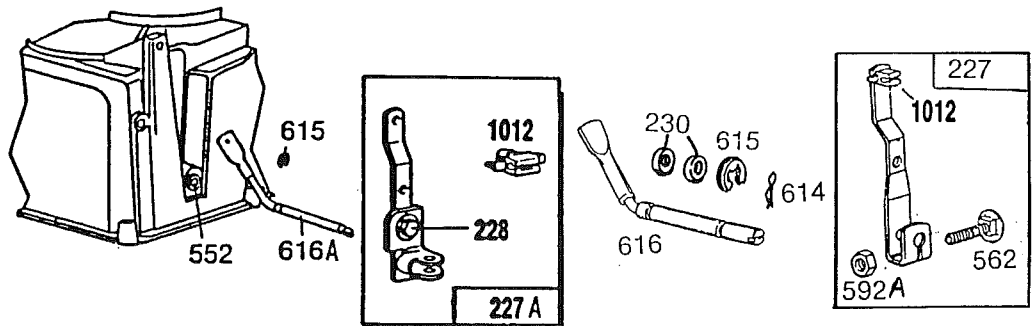
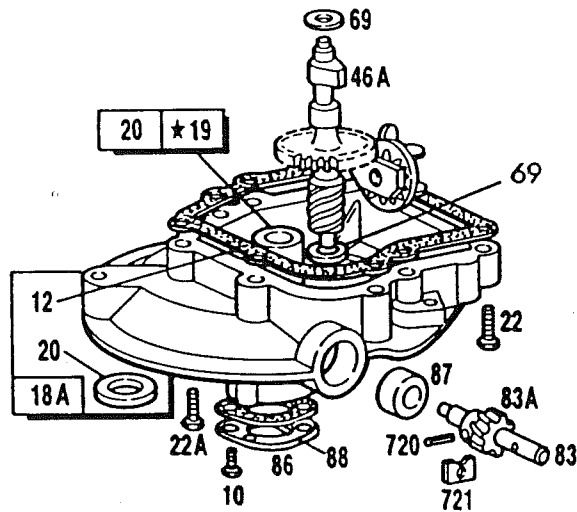
*SPECIAL TOOLS REQUIRED FOR INSTALLATION.
SEE REPAIR INSTRUCTION MANUAL.



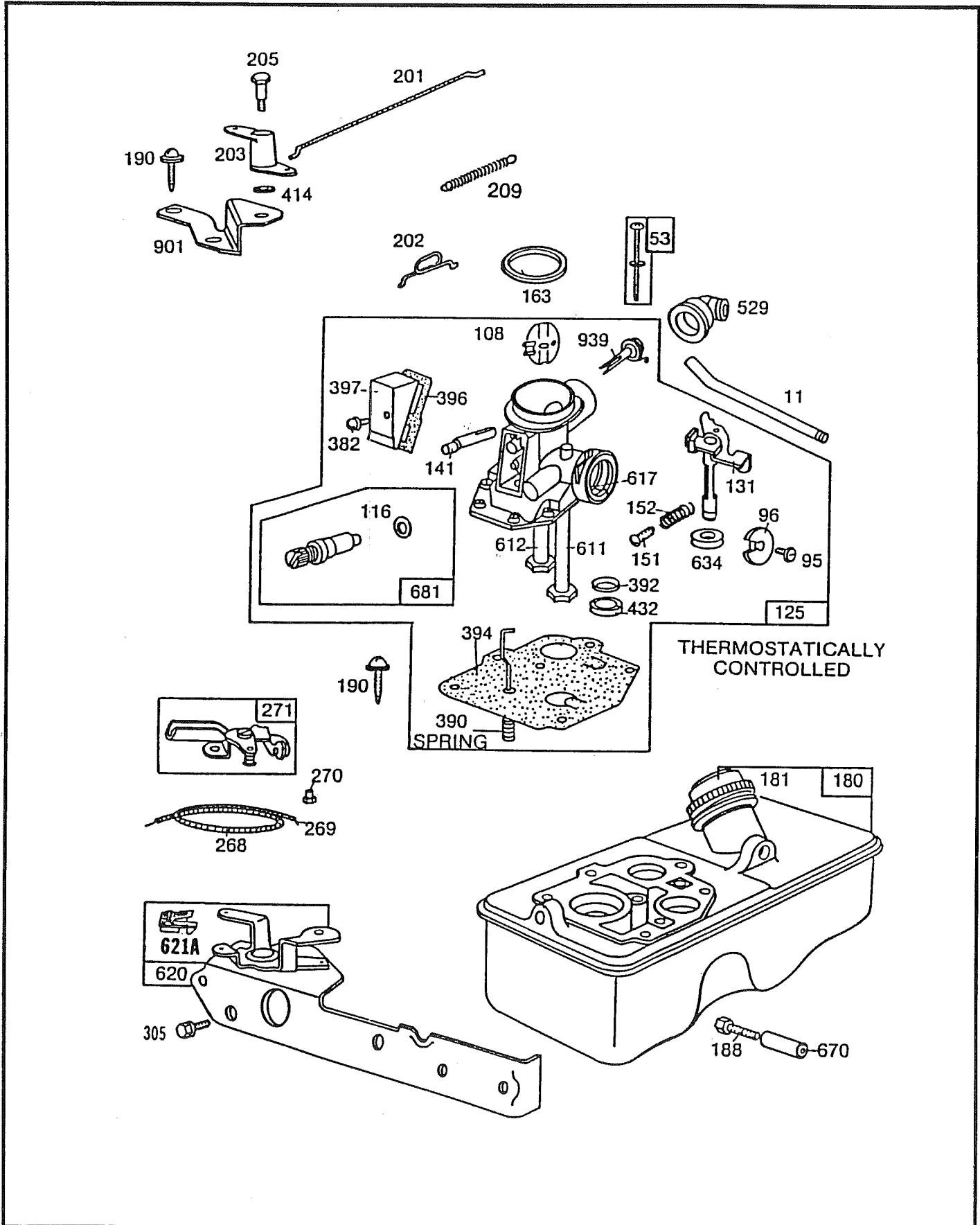
Sump assemblies illustrated on this page DO NOT include an oil filler opening.

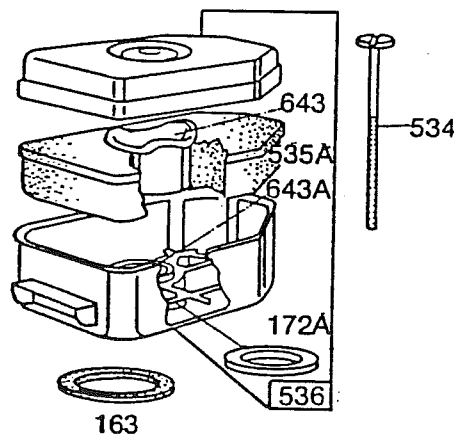
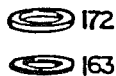
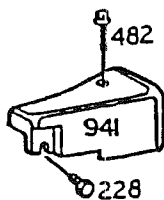
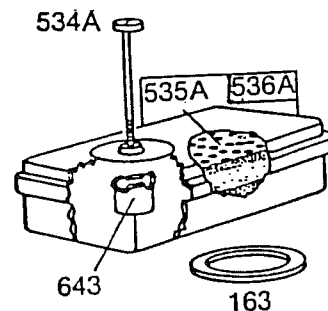
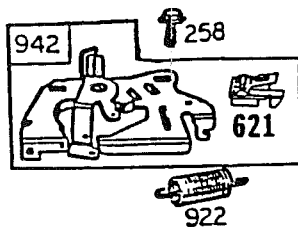
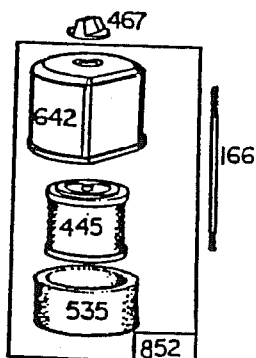
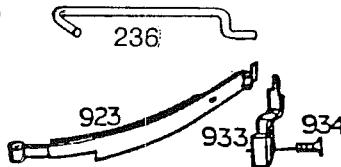
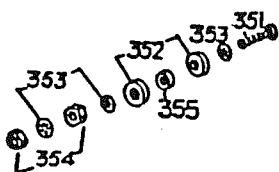
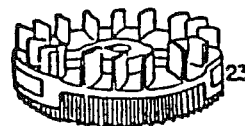
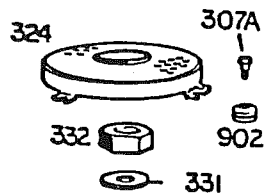
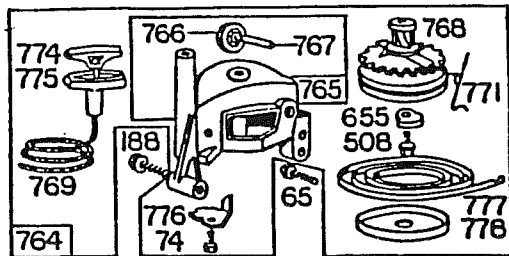


*SPECIAL TOOLS REQUIRED TO INSTALL.
SEE REPAIR INSTRUCTION MANUAL.

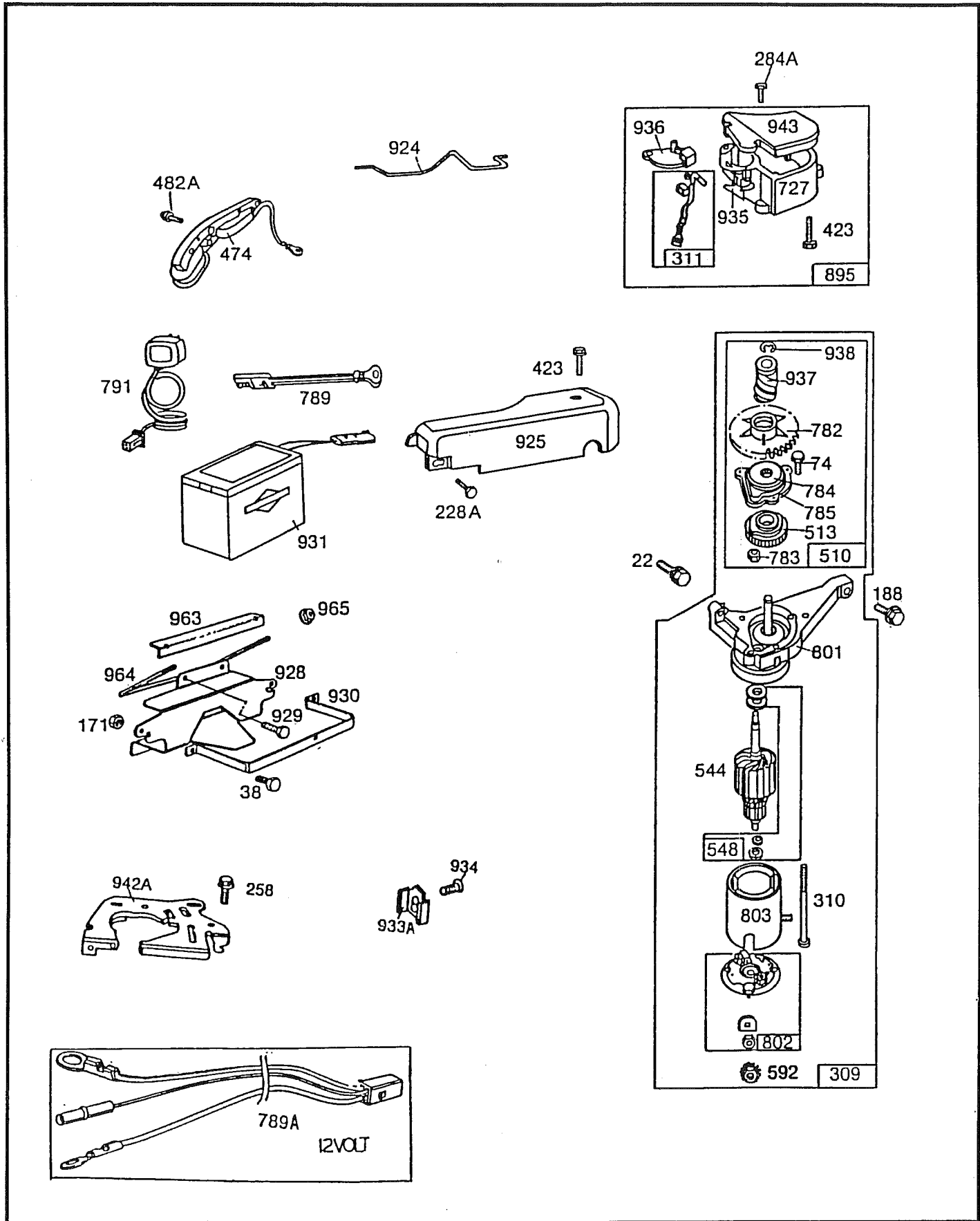


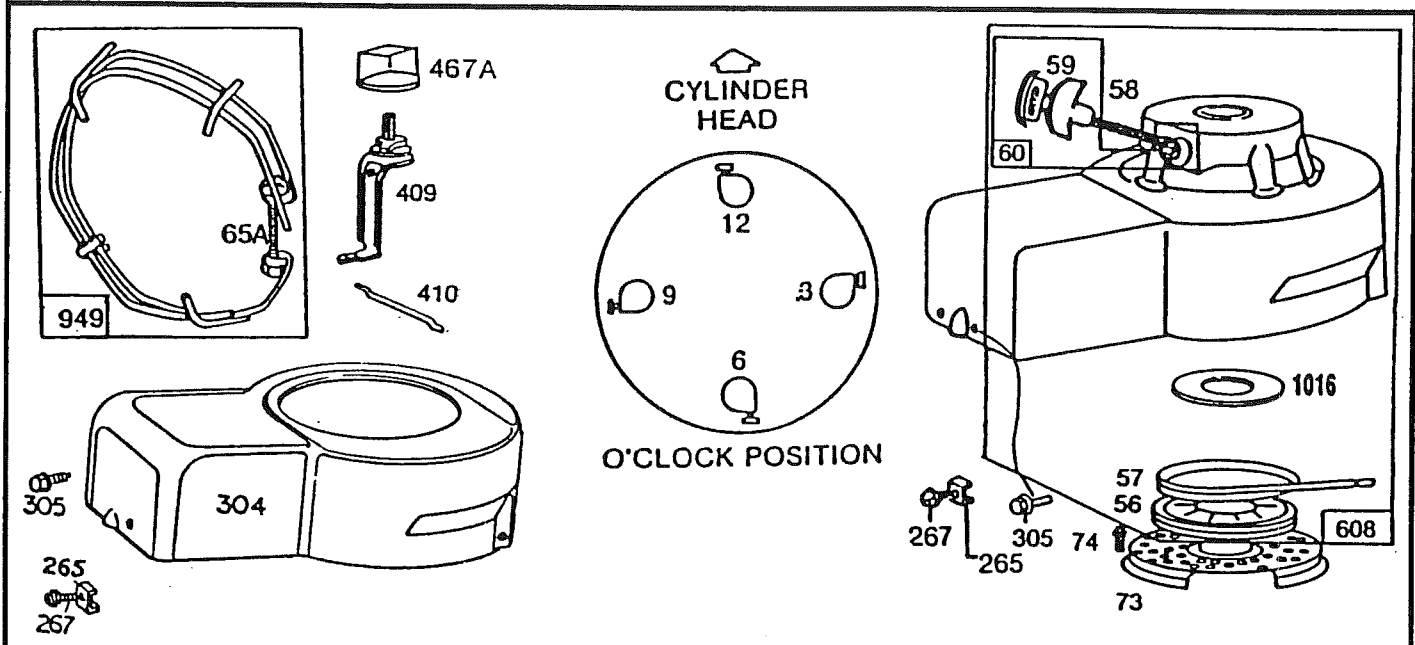
114900 to 114999





114900 to 114999





REWIND STARTER ASSEMBLIES FOR NON-BAND-BRAKE

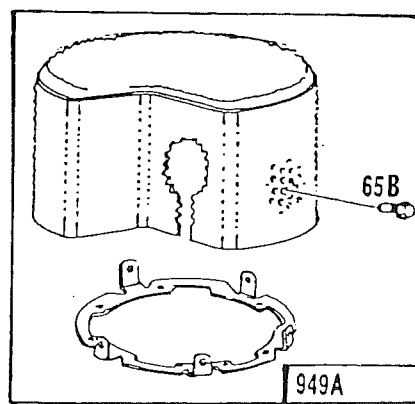
CLOCK POSITIONS				
1:30	3	6	9	12
396090	396468*	396794	398780	396411

*For Specials, See Text Ref. 608.

REWIND STARTER ASSEMBLIES FOR BAND-BRAKE

CLOCK POSITIONS				
1:30	3	6	9	12
		396413*	397824	396017

*For Specials, See Text Ref. 608.



114900 to 114999

REF. NO.	PART NO.	DESCRIPTION	REF. NO.	PART NO.	DESCRIPTION	REF. NO.	PART NO.	DESCRIPTION
1	399166	Cylinder Assembly			492094 Crankshaft			0140, 0141, 0143,
2	399269	Bushing—Cylinder			Used On Type Nos.			0144, 0145, 0146,
	Note:	Requires special tools for installation.			0029, 0054, 0131,			0149, 0150, 0151,
3	299819	Seal—Oil			0132, 0139, 0147,			0152, 0156, 0168,
5	211851	Head—Cylinder			0171, 3114, 3134,			0169, 0172, 0175,
7	* 270836	Gasket—Cylinder Hd.			3153, 3157.			0176, 0177, 0179,
8	298383	Breather—Valve Chamber			492096 Crankshaft			0181, 0183, 0187.
9	* 270239	Gasket—Valve Cover			Used on Type Nos.			394066 Flywheel—
10	93394	Screw—Breather and P.T.O. Gear Sump Cover (Ref. No. 86)			3050, 3051.			Magneto
		Mounting Sem			492097 Crankshaft			Used on Type Nos.
11	231292	Tube—Breather	18	395384	Used On Type Nos.			0051, 0052, 0155.
12	* 270833	Gasket—Oil Sump—	18A	395390	0155, 0178, 3113,			23A 395653 Flywheel—Magneto
		.015" thick (Standard)			3147.			24 222698 Key—Flywheel
	* 270895	Gasket—Oil Sump—			Sump—Engine			25 396455 Piston Assy.—Standard
		.005" thick			Sump—Engine			396456 Piston Assy.—.010" O.S.
	* 270896	Gasket—Oil Sump—			Used on <i>Model 114982 to 114988 Series.</i>			396457 Piston Assy.—.020" O.S.
		.009" thick			19 293709 Bushing—Engine Sump			396458 Piston Assy.—.030" O.S.
13	93111	Screw—Cylinder Hd. (1-15/16" long)			Note: Requires special tools for installation.			MODEL 114900 SERIES PISTON RING SETS:
	Note:	93772 Stud—Cyl. Hd.			20 391483 Seal—Oil			Note: For Chrome Piston
		22963 Washer			21 280485 Gage—Oil Filler Plug			Ring Set—standard size—order Part No.
		Used on Type Nos. 3140, 3157.			(Used after Code Date 85051000.)			392330.
15	91084	Plug—Oil Drain			Note: 280381 Gage—Oil Filler Plug			26 396459 Ring Set—Std. Piston
15A	93418	Plug—Oil Drain (Socket Head)			(Used before Code Date 85051100.)			396460 Ring Set—.010" O.S. Piston
		To Replace Crankshaft Gear Pin, Order Part No. 230978.			22 93032 Screw—Mtg. Sem			396461 Ring Set—.020" O.S. Piston
16	492093	Crankshaft			22A 93415 Screw—Sem			396462 Ring Set—.030" O.S. Piston
	Note:	394881 Crankshaft			(One used in Auxiliary Drive Gear Sump) on <i>Model 114982 to 114988 Series.</i>			27 26026 Lock—Piston Pin
		Used on Type Nos. 0018, 0172, 0175.			Note: Use 93032 Screw in the other (5) Sump Mounting Holes			28 391649 Pin Assembly—Piston—Standard
		397231 Crankshaft			23 394848 Flywheel—Magneto			394861 Pin Assembly—Piston—.005" O.S.
		Used on Type Nos. 0016, 0052, 0140, 0150, 0156, 0187.			Note: 393831 Flywheel—Magneto			29 391640 Rod Assembly—Connecting
		397235 Crankshaft			Used on Type Nos. 0025, 0027, 0029, 0054, 0132, 0133, 0136, 0139, 0147, 0148, 0171, 0178, 0180, 0184, 0185, 3149.			Note: For Connecting Rod with .020" undersize Crankpin Bearing—Order No. 393710.
		Used On Type Nos. 0168, 0169.			394032 Flywheel—Magneto			31 222282 Washer—Flat (One for Each Screw)
		492087 Crankshaft			Used on Type Nos. 0015, 0016, 0018, 0117, 0137, 0138,			32 94405 Screw—Connecting Rod
		Used On Type Nos. 0027, 0135, 0136, 0142, 3016, 3112, 3130, 3133, 3140.						33 261912 Valve—Exhaust
								Note: 212004 Valve—Exhaust Used on Type Nos. 3145, 3146, 3148.
								34 261233 Valve—Intake
								35 260552 Spring—Intake Valve
								36 26826 Spring—Exhaust Valve

* Included in Gasket Set—Part No. 391662

114900 to 114999

REF. NO.	PART NO.	DESCRIPTION	REF. NO.	PART NO.	DESCRIPTION	REF. NO.	PART NO.	DESCRIPTION
	Note:	26478 Spring—Exhaust Valve Used on Type Nos. 3145, 3146, 3148.	66	399671	Clutch Assembly—Rewind Starter	125	397180	Carburetor Assembly (Used After Code Date 83111404.)
37	223150	Guard—Flywheel	67	394897	Housing—Starter Clutch		Note:	396336 Carburetor Assy. Used on Type Nos. 3142, 3143.
38	93777	Screw—Sem	68	63770	Ball—Clutch			396586 Carburetor Assy. (Used Before Code Date 83111504.)
40	93312	Retainer—Intake Valve Spring Used with valves with groove in stem.	69	66874	Washer—Thrust			
41	292259	Rotocap—Exhaust Valve		Note:	68938 Washer—Thrust Used on Auxiliary Drive P.T.O. Camshaft and is located next to the Worm Gear.	131	394035	Shaft and Lever—Throttle
42	230127	Retainer—Exhaust Valve Rotocap	70	298799	Ratchet—Rewind Starter	141	68908	Shaft—Choke
	Note:	93312 Retainer—Exhaust Valve Spring. Used on Type Nos. 3145, 3146, 3148.	71	394506	Washer—Clutch Retainer (Rubber Coated)	151	93524	Screw—Rd. Hd.—5-40 x 1/2
44	230126	Pin—Exhaust Valve Rotocap Retainer	73	221661	Screen—Starter Pulley	152	260746	Spring—Throttle Adj.
45	261250	Tappet—Valve	74	93490	Screw—Sem	163	271139	Gasket—Air Cleaner Mounting
46	395856	Gear—Cam	76	68238	Washer—Ratchet Sealing	166	231332	Stud—Air Cleaner (Used After Code Date 83111404.)
46A	396052	Cam Gear, Worm and Oil Slinger Assembly (Clockwise Rotation)	81	223256	Lock—Muffler Screw		Note:	231311 Stud—Air Cleaner (Used Before Code Date 83111504.)
	Note:	396064 Cam Gear, Worm and Oil Slinger Assy. (Counterclockwise) Used on Type Nos. 0051, 0133, 0138, 0148, 0154, 0169, 0176, 0181, 0186, 3051, 3123, 3126, 3138, 3151, 3155.	83	230831	Shaft—Drive			
52	* 270844	Gasket—Intake Elbow		Note:	230870 Shaft—Drive Used on Type Nos. 3145, 3146.	171	93203	Nut—Hex
53	391982	Screw—Tank to Carburetor	83A	231278	Gear—Drive	172	271077	Gasket—Air Cleaner
54	93485	Screw—Intake Elbow Mounting		Note:	231279 Gear—Drive Used on Type No. 0176.	172A	271273	Gasket—Air Cleaner
56	280439	Pulley—Starter			230948 Shaft—Drive Used on Type Nos. 0133, 0148, 0154, 0186, 3051, 3123, 3126, 3138, 3151, 3155.	180	396781	Tank Assembly—Fuel
57	490179	Spring—Rewind Starter				181	391494	Cap—Fuel Tank (Chrome)
58	280406	Rope—Rewind Starter—81" long				188	94102	Screw—Fuel Tank and Starter Mounting
	Note:	If longer rope is needed, Order No. 395883 and cut to required length. Order 66734 for 48-5/8" long rope.	86	221780	Cover—Sump	190	93440	Screw—Fuel Tank Mtg.
59	396892	Insert—Starter Grip	87	391484	Seal—Oil	201	261918	Link—Governor
60	393152	Grip—Starter Rope	88	270328	Gasket—Sump Cover	202	261897	Link—Throttle
65	93587	Screw—Vertical Pull Starter Mounting	95	93499	Screw—Throttle Valve Mounting Sem	203	280272	Bell Crank
65A	94124	Screw—Guard Retaining	96	211237	Valve—Throttle	205	231520	Screw—Shoulder (Used After Code Date 86112300.)
65B	93572	Screw—Guard Retaining	108	280429	Valve—Choke		Note:	93838 Screw—Shoulder (Used Before Code Date 86112400.)
				Note:	280370 Valve—Choke Used on Type Nos. 3142, 3143.	209	261936	Spring—Governor
			116	280203	O-Ring		Note:	261926 Spring—Governor Used on Type Nos. 0134, 0168, 0169, 0170, 3135.

* Included in Gasket Set—Part No. 391662

114900 to 114999

REF. NO.	PART NO.	DESCRIPTION	REF. NO.	PART NO.	DESCRIPTION	REF. NO.	PART NO.	DESCRIPTION
		261927 Spring—Governor Used on Type Nos. 0054, 0132, 0135, 0139, 0141, 0142, 0143, 0147, 0149, 0151, 0152, 0154, 0155, 0171, 0176, 0178, 0179, 0182, 0186, 3132, 3151, 3156.			Note: If longer wire is needed, specify length in inches; if shorter wire is needed, order No. 26099 and cut to required length.	331	223047	Washer—Flywheel
		261935 Spring—Governor Used on Type Nos. 0051, 0052, 0177, 3140, 3145, 3146, 3147, 3148, 3153, 3157.	270	63426	Locknut—Control Wire Casing	332	92284	Nut—Flywheel
		261938 Spring—Governor Used on Type Nos. 0133, 0136, 0148, 0150, 0157, 3130, 3133, 3136, 3139, 3141, 3142, 3143, 3144, 3150.	271	290568	Lever Assembly—Control	333	397316	Armature—Magneto
219	394044	Oil Slinger Assembly	284	94073	Screw—Clamp Mounting	333A	395489	Armature—Magneto
227	491482	Lever Assembly Governor (Used After Code Date 88011000.)	284A	93892	Screw—Hex. Hd.	334	93381	Screw—Armature Mounting Sem
227A	396504	Lever Assembly Governor (Used Before Code Date 88011100.)	300	394644	Muffler—Exhaust	337	298809	Plug—Spark (with Gasket) 1-1/2" high—(37-42 mm.)
228	93758	Screw—Hex Head	300A	394569	Muffler—Exhaust			Note: 293918 Plug—Spark (with Gasket) 1-1/2" high (Resistor Type)
228A	93490	Screw—Hex Head			The Following Blower Housing is Used on Band Brake Engines	346	93705	Screw—Hex Hd.
230	220680	Washer	304	223204	Housing—Blower	351	93735	Screw—Terminal
236	262461	Link—Brake Lock—Out			The Following Blower Housings Are Used on Non-Band Brake Engines	352	66068	Washer—Insulating
258	94018	Screw—Hex Head			396412 Housing—Blower	353	92791	Washer—Lock—Shakeproof (3)
265	22372	Clamp—Casing			Note: 223287 Housing—Blower	354	90576	Nut—Hex.—8-32 (2)
267	93469	Screw—Clamp Mtg.			Used on Type Nos. 0015, 0016, 0017, 0018, 0051, 0052, 0117, 0137, 0138, 0140, 0141, 0143, 0144, 0145, 0146, 0149, 0150, 0151, 0152, 0155, 0168, 0169, 0172, 0175, 0176, 0177, 0179, 0181, 0183, 0187.	355	66554	Collar—Insulating
268	66986	Casing—Control Wire—48" long	305	94153	Screw—Sem	356	398808	Wire—Ground
		Note: If longer casing is needed, specify length in inches; if a shorter casing is needed, order No. 66986 and cut to required length.	306	223263	Shield—Cylinder			Note: 396585 Wire—Ground (Dual Wire, cut to suit) Used on Type Nos. 0015, 0016, 0018, 0025, 0027, 0029.
269	26099	Wire Control, 54" long	307	93490	Screw—Sem	358	391662	Gasket Set
			307A	93758	Screw—Hex Head	363	19069	Puller—Flywheel (Optional Accessory)
			309	395852	Motor—Starter (6 Volt)	377	93065	Key—Woodruff No. 6
					Note: 397863 Motor—Starter (12 Volt) Used On Type No. 0185.	382	93545	Screw—Choke Link Cover
			310	94051	Bolt—Starter Motor	383	89838	Wrench—Spark Plug
			311	395728	Brush Kit—Starter Motor	390	261249	Spring—Diaphragm
			319	395488	Armature Assembly (Less Trigger Coil)	392	260455	Spring—Fuel Pump Diaphragm
			324	223006	Screen—Rotating	394	391643	Diaphragm—Carburetor
						396	270571	Gasket—Choke Link Cover
						397	211678	Cover—Choke Link
						409	391590	Control—Dial
						410	260993	Link—Control
						414	223932	Washer (Used After Code Date 86112300.)
								Note: 220982 Washer (Used Before Code Date 86112400.)
						423	94026	Screw—Sem
						432	221377	Cap—Spring
						445	396424	Cartridge—Air Cleaner
						446	222844	Base—Air Cleaner
						446A	395642	Base—Air Cleaner

114900 to 114999

REF. NO.	PART NO.	DESCRIPTION	REF. NO.	PART NO.	DESCRIPTION	REF. NO.	PART NO.	DESCRIPTION	
467	212706	Knob—Air Cleaner	616	491405	Crank—Governor (Used After Code Date 88011000.)	681	395508	Needle Valve Kit	
467A	299858	Knob—Dial Control				720	93474	Pin—Gear to Shaft	
474	397880	Stator Assy.—Alternator				721	221779	Stop—Drive Shaft	
482	93621	Screw—Sem	616A	394075	Crank—Governor (Used Before Code Date 88011100.)	725	223725	Shield—Heat	
482A	94016	Screw—Hex. Hd.				727	280336	Cover Base—Electric Starter	
508	93158	Screw—Sem							
510	395727	Drive Kit—Starter	617	270344	Seal—Fuel Intake Tube	729	280470	Clip—Wire	
513	† 394815	Clutch Assembly— Electric Starter	620	394642	Plate—Carburetor Control	741	261533	Gear—Timing	
523	396372	Cap with Dipstick— Oil Filler		Note: 394882	Plate— Carburetor Control Used on Type Nos. 0015, 0016, 0018, 0025, 0027, 0029, 0051, 0052, 0132, 0135, 0138, 0143, 0145, 0146, 0147, 0150, 0152, 0153, 0155, 0171, 0178, 0180, 0181, 0183, 0184, 0185, 3147.	764	395874	Starter Assembly— Vertical Pull (81" Rope)	
524	271485	Seal—Filler Tube					Note: 396082	Starter Assembly—Vertical Pull (48-5/8" Rope)	
525	280578	Tube—Oil Filler (Used After Code Date 85051000.)				765	395914	Housing—Vertical Pull Starter	
	Note: 280382	Tube—Oil Filler (Used Before Code Date 85051100.)				766	280022	Pulley—Rope (Small)	
529	280368	Grommet—Breather	621	396847	Switch—Stop (Used After Code Date 84030100.)	767	231048	Pin—Small Rope Pulley	
534	93865	Screw—Air Cleaner				768	395870	Pulley and Gear Assembly—Starter (81" Rope)	
534A	93374	Screw—Air Cleaner				769	280406	Rope—Vertical Pull Starter (81")	
535	271466	Element—Air Cleaner					Note:	If longer rope is needed, Order No. 280399 and cut to required length.	
535A	270848	Element—Air Cleaner						66734	Rope—Vertical Pull Starter (48-5/8")
536	394738	Cleaner—Assembly—Air							
536A	391641	Cleaner Assembly—Air							
544	396058	Armature—Starter							
	Note: 398636	Armature— Starter Used On Type No. 0185.	621A	396847	Switch Assembly—Stop (Used After Code Date 85032700.)				
548	396067	Washer Set—Starter							
552	230732	Bushing—Governor Shaft							
562	92613	Bolt, Carriage (Governor Lever)	625	391377	Tube—Fuel Intake	771	299961	Clip—Vertical Pull	
592	93991	Nut—Hex.—10-24	634	270167	Washer—Throttle Shaft (Felt)	774	280121	Insert—Starter Handle	
592A	231082	Nut, Hex	635	66538	Elbow—Spark Plug	775	280036	Grip—Starter Rope	
608		Starter Assy.—Rewind See Chart on Illustrated Pages	642	223306	Cover—Air Cleaner	776	222049	Guide—Rope	
	Note: 398806	Starter Assy.— Rewind (6 o'clock) Used on Type No. 3145. 491929	643	280374	Cup—Air Cleaner	777	390066	Spring—Vertical Pull Starter	
		Starter Assy.— Rewind (3 o'clock) Used On Type No. 0185.	643A	280342	Support—Air Cleaner Element	778	280021	Cover—Vertical Pull Starter Pulley	
611	297219	Pipe—Fuel (long)	655	222057	Anchor—Spring	782	† 280038	Gear—Electric Starter Spur	
612	296811	Pipe—Fuel (short)	670	94038	Spacer—Fuel Tank Used on Engines with Band Brake	783	† 261606	Gear—Electric Starter Pinion	
613	93935	Screw—Muffler Mtg.				784	† 223123	Cover—Electric Starter Clutch Gear	
614	93306	Pin, Cotter				785	† 271457	Gasket—Electric Starter Clutch Gear Cover	
615	93307	Retainer—E-Ring				789	396392	Wiring Harness Assy.— Mower (4-1/2" long)	
			676	396548	Deflector—Muffler	789A	397916	Wiring—Harness Used On Type No. 0185.	
			676A	393760	Deflector—Muffler				
			676B	393756	Deflector—Muffler				
			676C	397931	Deflector—Muffler				

† Included in Starter Drive Kit—Part No. 395727

114900 to 114999

REF. NO.	PART NO.	DESCRIPTION	REF. NO.	PART NO.	DESCRIPTION	REF. NO.	PART NO.	DESCRIPTION
791	395569	Charger—Battery (120 Volt)	930	223161	Bracket Support— Battery			
	Note:	395585 Charger— Battery (240 Volt)	931	395559	Battery (6 Volt)			
		493357 Adapter— Charger (For Use With 493359 Battery)	933	223448	Pivot—Band Brake			
801	395851	Motor Output End Cover and Mounting Bracket	933A	223278	Spacer			
802	396061	Cap Assembly—End	934	94037	Screw—Band Brake Pivot			
803	396059	Housing—Starter	935	223128	Terminal—Switch			
832	399637	Guard Group—Muffler	936	280338	Actuator—Switch			
832A	396313	Guard—Muffler	937	† 280366	Spline—Starter			
842	270920	Seal—Filler Cap	938	† 93941	Ring—Retainer			
847	399030	Filler Group—Oil (Used After Code Date 85051000.)	939	395665	Shaft Assembly—Choke			
	Note:	395869 Filler Group—Oil (Used Before Code Date 85051100.)	940	222403	Guard—Flywheel			
851	221798	Terminal—Ignition Cable	941	280395	Cover—Linkage			
852	396397	Cleaner Group—Air	942	493248	Control Plate—			
853	394850	Bracket—Air Cleaner	942A	224331	Bracket Plate—Band Brake			
869	211172	Seat—Intake Valve (Standard) (Used After Code Date 88073100.)	943	280322	Cover Top—Electric Starter			
	Note:	210879 Seat—Intake Valve (Used Before Code Date 88080100.)	949	396579	Guard—Rewind Starter			
870	211291	Seat—Exhaust Valve (Standard)	949A	398833	Guard—Rewind Starter			
	Note:	For Options, See Repair Manual	963	223502	Strap			
871	262001	Guide—Exhaust Valve	964	94107	Bolt—U			
	Note:	63709 Guide—Intake Valve See Repair Instruction Manual.	965	94108	Nut			
895	394767	Switch Group	988	223600	Bracket—Muffler			
897	394970	Trigger Coil Assy.	994	398067	Arrester—Spark			
901	490818	Bracket—Bell Crank	1012	280414	Retainer—Link			
902	280271	Grommet—Screen	1016	490817	Spacer			
922	261647	Spring—Brake	1019	491099	Decal Kit			
923	394867	Brake Assembly—Band						
924	261881	Link—Starter Switch						
925	280363	Cover—Linkage						
928	223162	Bracket—Battery						
929	93980	Screw—Sem						

† Included in Starter Drive Kit—Part No.
395727

Free Manuals Download Website

<http://myh66.com>

<http://usermanuals.us>

<http://www.somanuals.com>

<http://www.4manuals.cc>

<http://www.manual-lib.com>

<http://www.404manual.com>

<http://www.luxmanual.com>

<http://aubethermostatmanual.com>

Golf course search by state

<http://golfingnear.com>

Email search by domain

<http://emailbydomain.com>

Auto manuals search

<http://auto.somanuals.com>

TV manuals search

<http://tv.somanuals.com>