



Illustrated Parts List

Model Series

31F700

TYPE NUMBERS
0110 through 0403.

TABLE OF CONTENTS

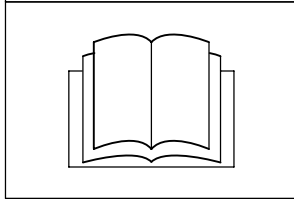
Air Cleaner	5
Alternator	8
Blower Housing	6
Camshaft	2
Carburetor	4, 5
Controls	8
Crankshaft	2
Cylinder	2
Cylinder Head	3
Electric Starter	8
Engine Sump	2
Exhaust System	6
Flywheel	7
Fuel Supply	4
Gasket Set - Engine	2
Gasket Set - Valve	3
Governor Spring	8
Ignition	8
Intake Manifold	3
Kit - Carburetor Overhaul	4
Lubrication	3
Operator's Manual	2
Piston, Rings, Connecting Rod	2
Rewind Starter	7
Valves	3
Warning Label	2

PRINTED IN U.S.A.



COPYRIGHT by BRIGGS & STRATTON CORPORATION
All rights reserved. No part of this material may be reproduced or transmitted, in any form or by any means, electronic or mechanical, including photocopying, recording or by any information storage and retrieval system, without permission in writing from Briggs & Stratton Corporation.

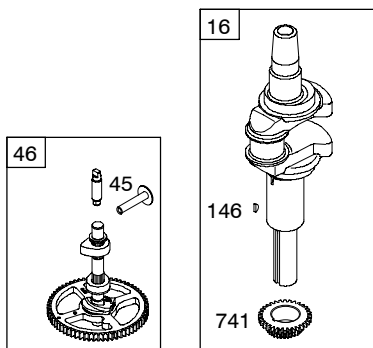
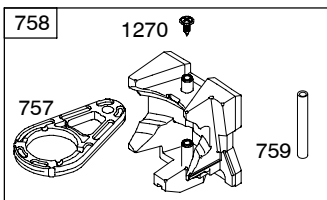
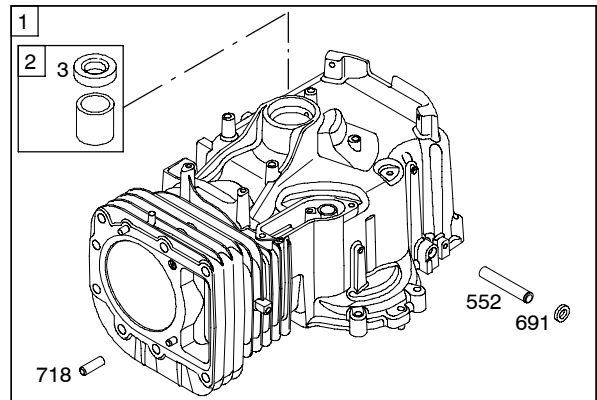
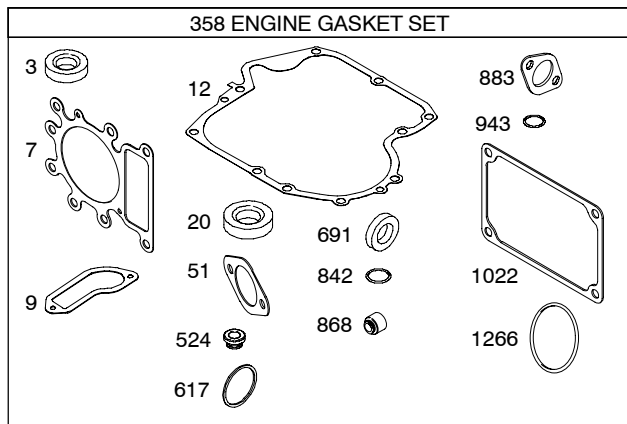
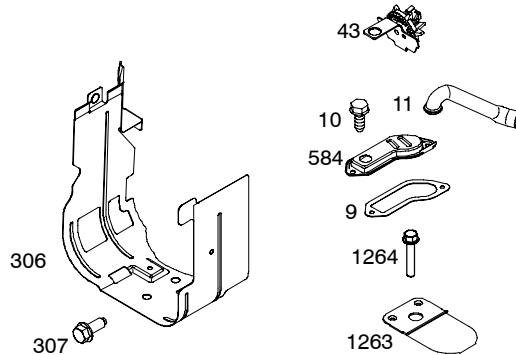
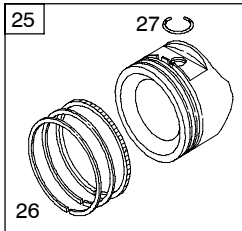
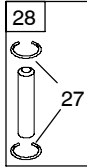
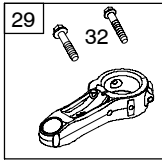
1058 OPERATOR'S MANUAL



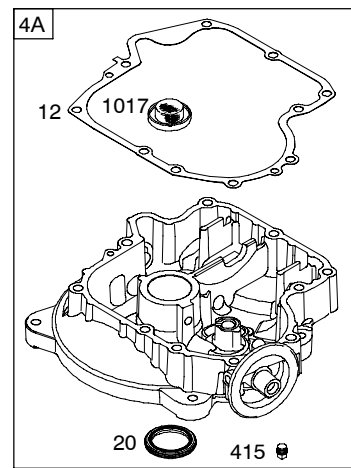
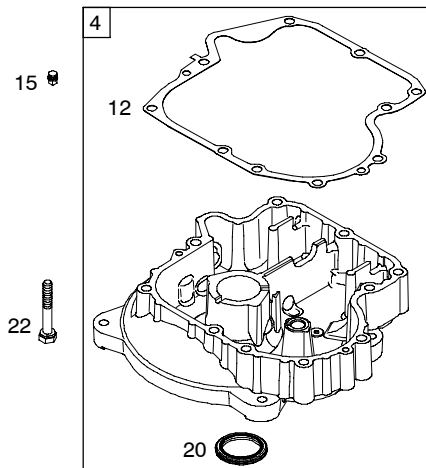
1319 WARNING LABEL

WARNING	
	Read and follow Operating Instructions before running engine.
	Gasoline is flammable. Allow engine to cool at least 2 minutes before refueling.
	Engines emit carbon monoxide, DO NOT run in enclosed area.
	Muffler area temperature may exceed 150°F. Do not touch hot parts.

REQUIRED when replacing parts with warning labels affixed.

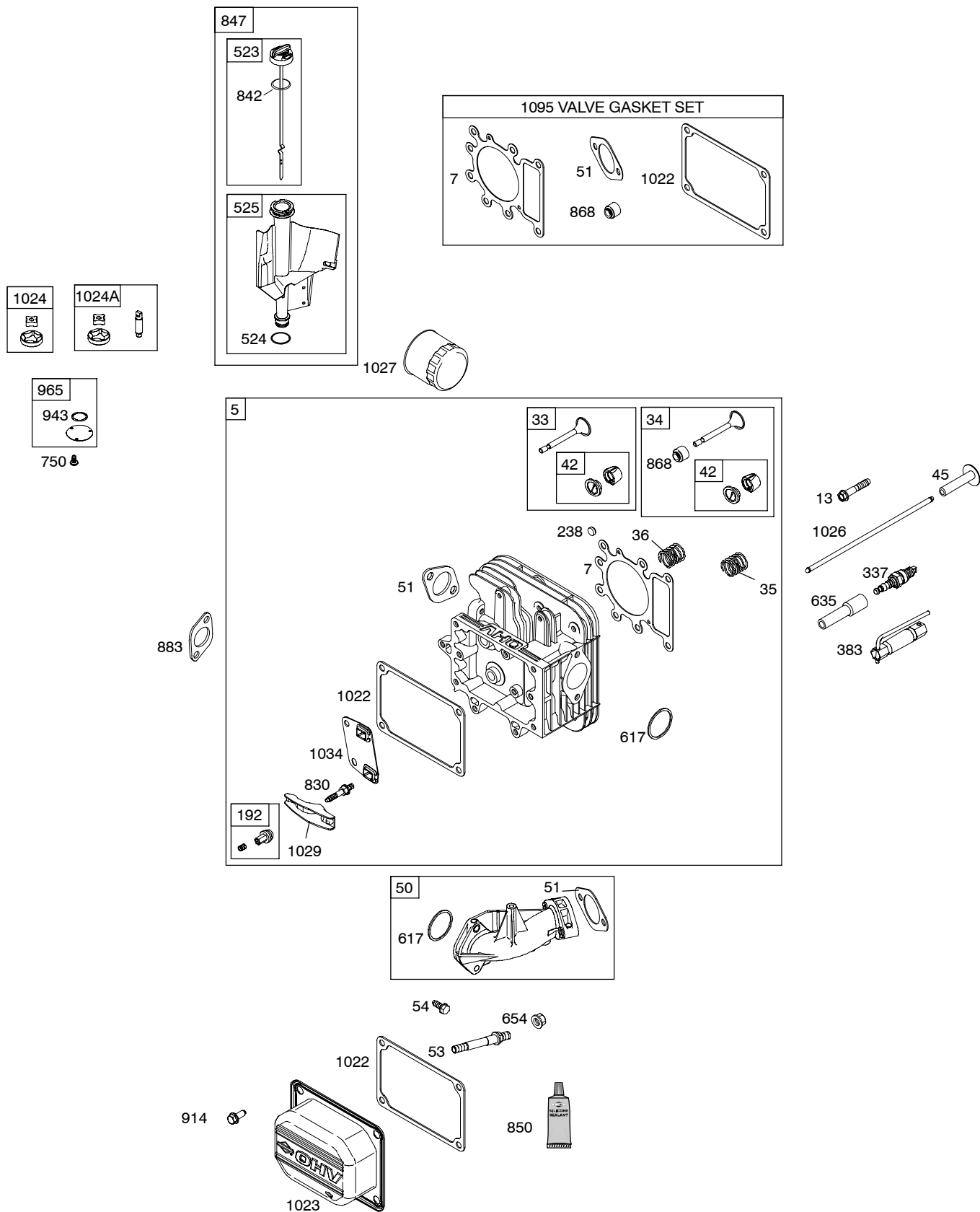


24 ♂



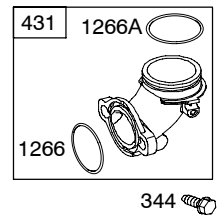
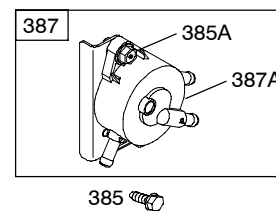
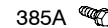
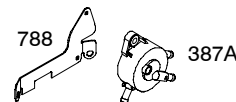
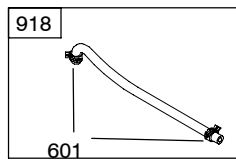
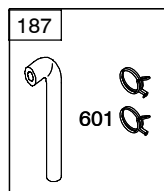
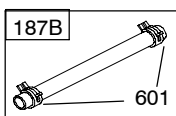
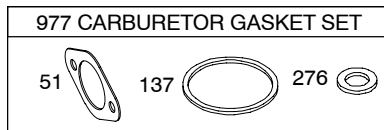
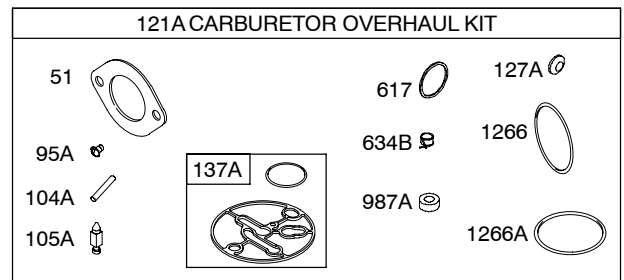
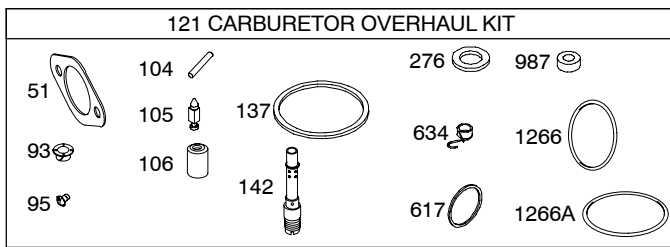
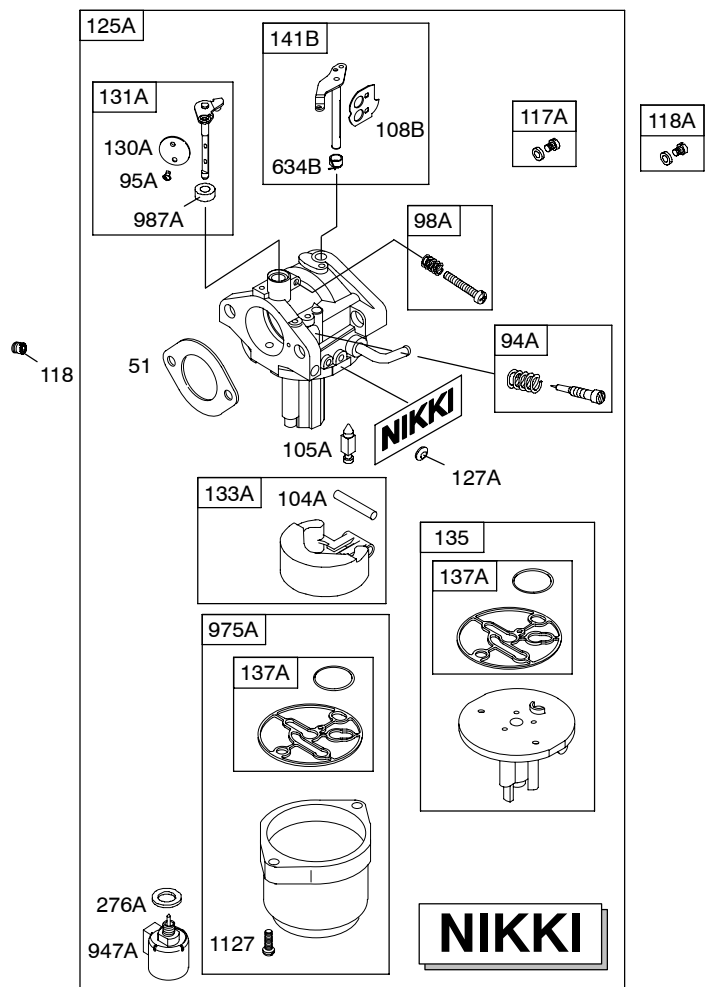
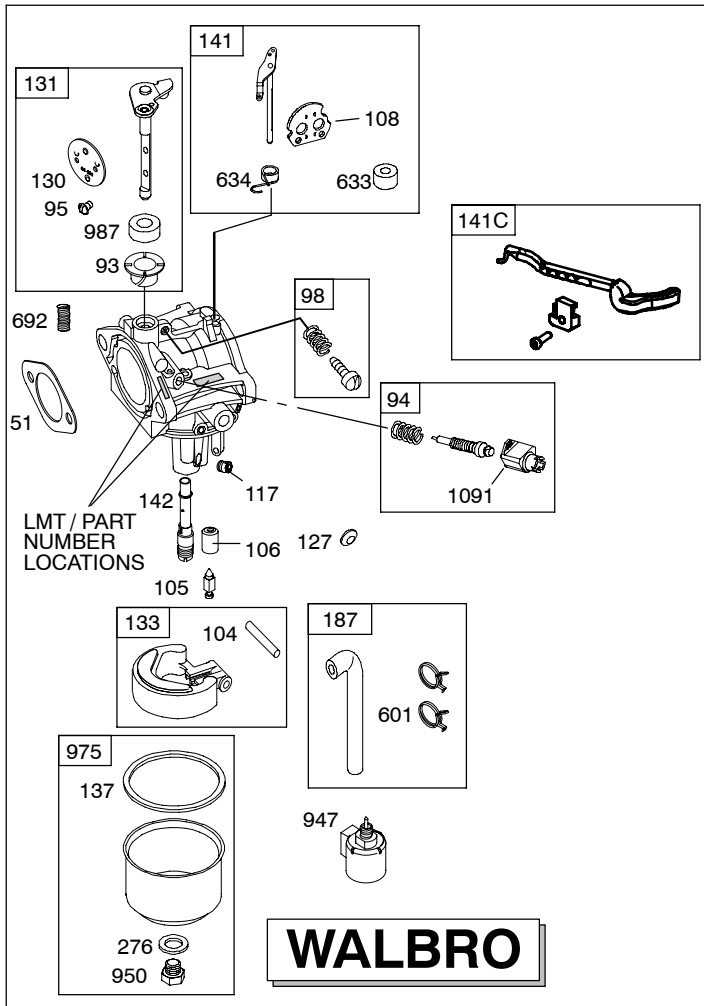
239 ♂

Illustrations cover a range of engines. Parts shown without corresponding text may not be used on your specific engine.

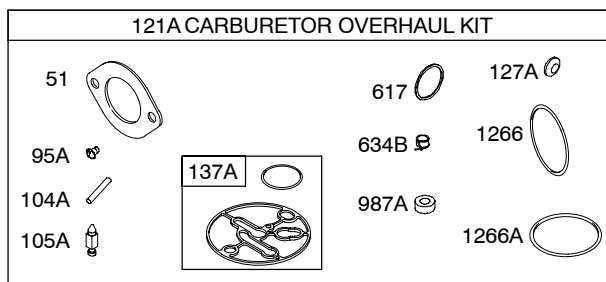
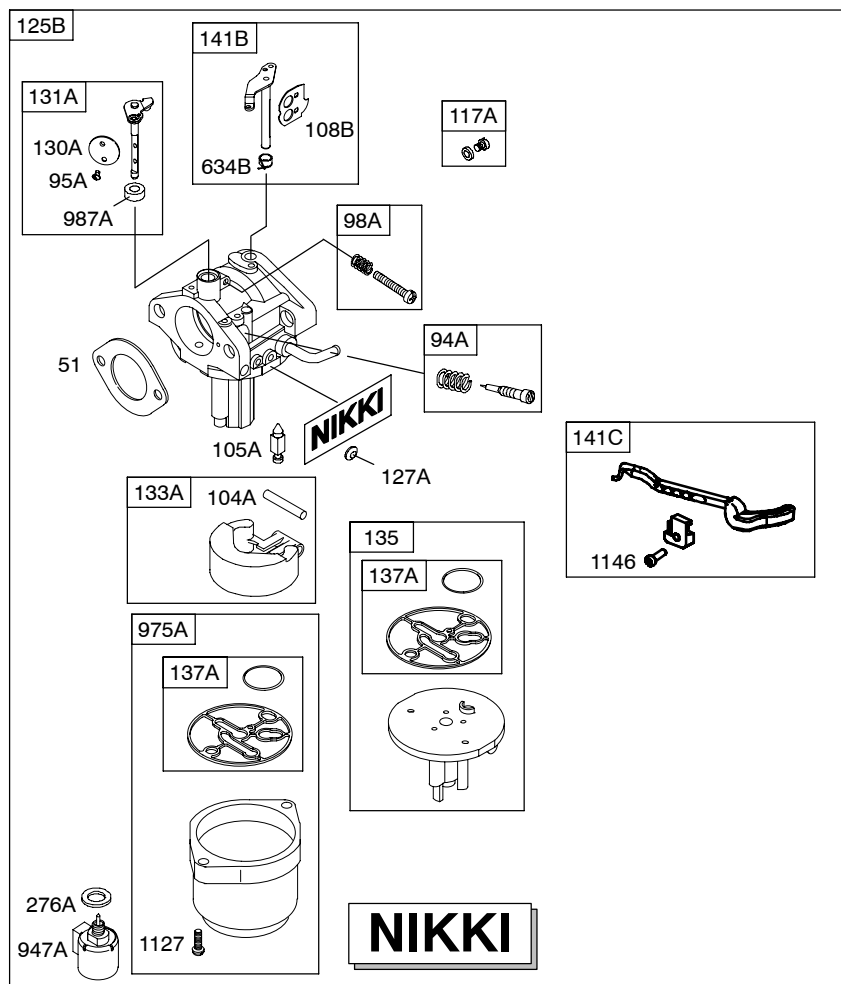


Illustrations cover a range of engines. Parts shown without corresponding text may not be used on your specific engine.

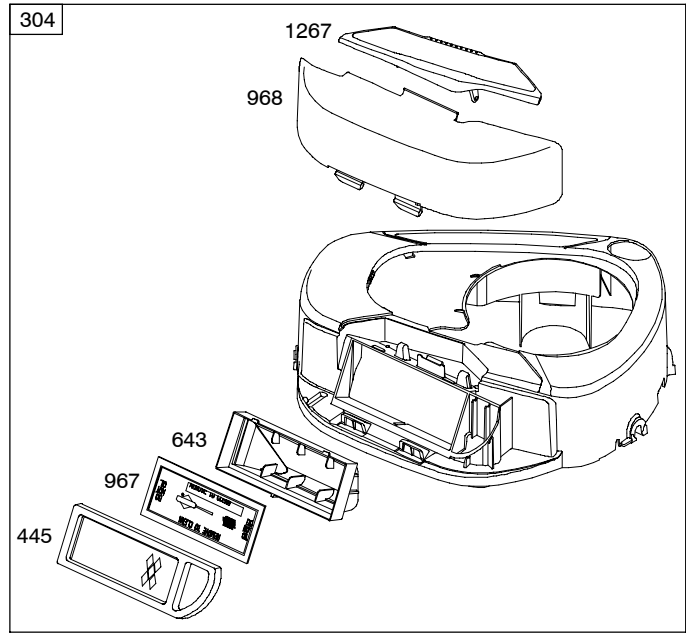
31F700



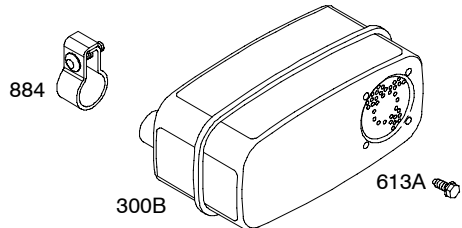
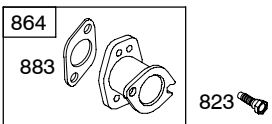
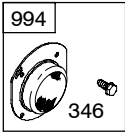
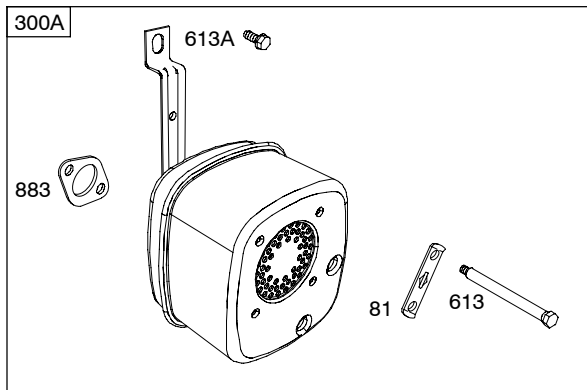
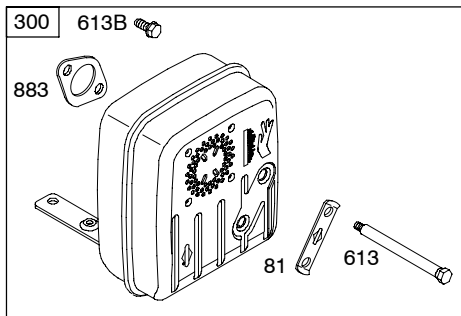
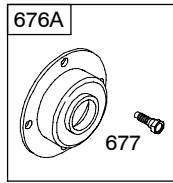
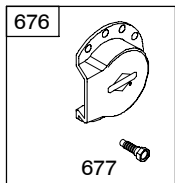
Illustrations cover a range of engines. Parts shown without corresponding text may not be used on your specific engine.



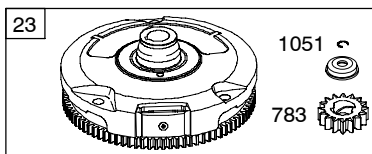
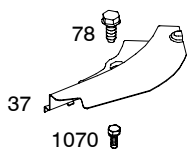
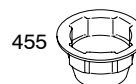
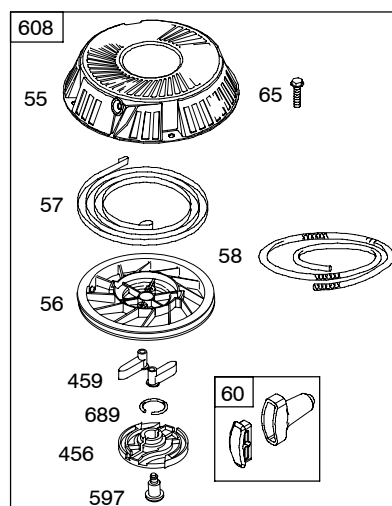
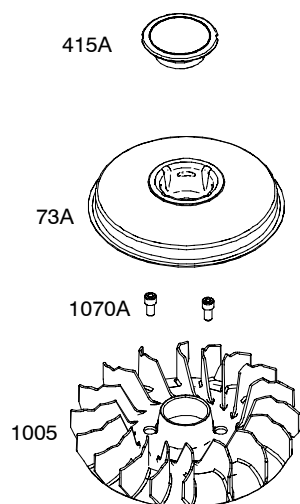
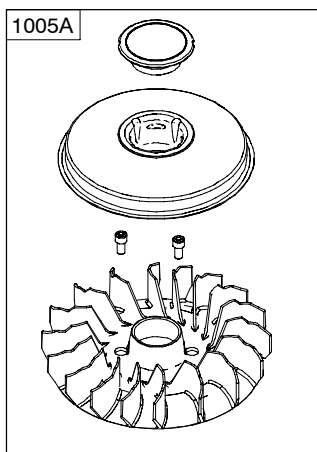
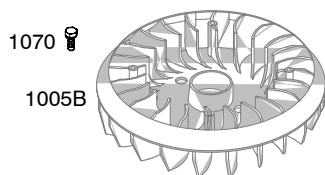
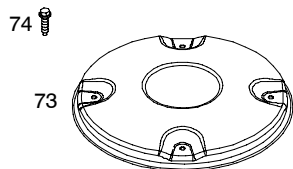
Illustrations cover a range of engines. Parts shown without corresponding text may not be used on your specific engine.



1036 EMISSIONS LABEL




Illustrations cover a range of engines. Parts shown without corresponding text may not be used on your specific engine.



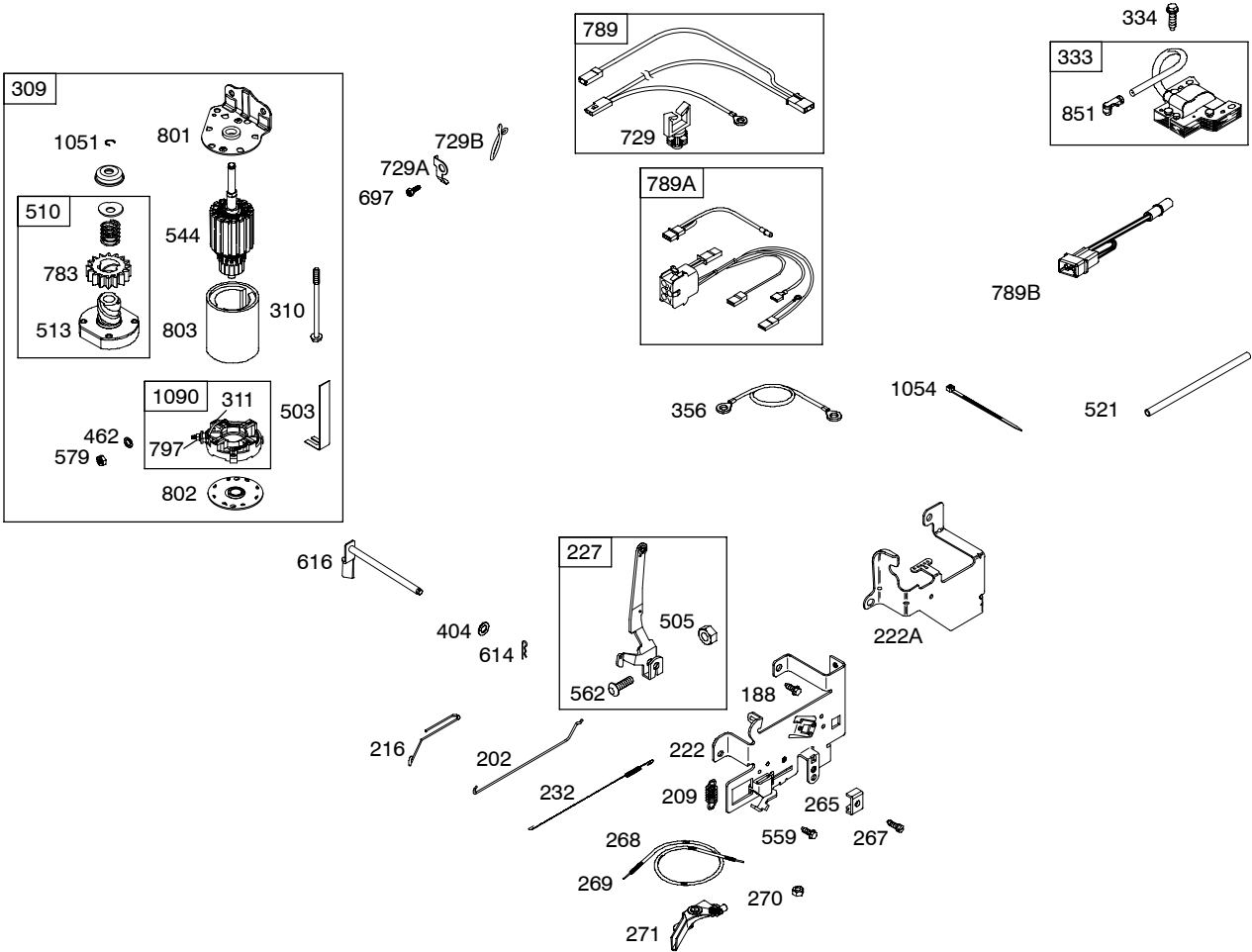
Illustrations cover a range of engines. Parts shown without corresponding text may not be used on your specific engine.
5035-7 Assemblies include all parts shown in frames. **03/18/2008**

31F700

DUAL CIRCUIT		TRI CIRCUIT		10 AMP	
474B	1059	474C		474D	
877	877B	1059		877C	
878	878A	5/9 AMP REGULATED	501A	578	10/16 AMP REGULATED
		526			526
					501

NOTE: All stators use a No. 1119 mounting screw. 

NOTE: The proper flywheel part number and/or the alternator magnet size will determine the alternator type or output. See repair instruction manual for additional information.



Illustrations cover a range of engines. Parts shown without corresponding text may not be used on your specific engine.

REF. NO.	PART NO.	DESCRIPTION	REF. NO.	PART NO.	DESCRIPTION	REF. NO.	PART NO.	DESCRIPTION
1	793987	Cylinder Assembly	16	697127	Crankshaft Used on Type No(s). 0112, 0113, 0114, 0123, 0126, 0129, 0130, 0131, 0132, 0161, 0162, 0284, 0317, 0318, 0403.	26	791936	Ring Set (Standard) ----- Note -----
2	399265	Kit-Bushing/Seal (Magneto Side)						792649 Ring Set (.020" Oversize)
3	★391086s	Seal-Oil (Magneto Side)				27	698469	Lock-Piston Pin
4	697106	Sump-Engine Used on Type No(s). 0112, 0114, 0129, 0130, 0132.				28	697099	Pin-Piston (Standard)
4A	697188	Sump-Engine Used on Type No(s). 0110, 0111, 0113, 0115, 0116, 0123, 0124, 0125, 0126, 0131, 0136, 0161, 0162, 0284, 0317, 0318, 0403.				29	794571	Rod-Connecting (Standard) Used on Type No(s). 0112, 0113, 0114, 0123, 0126, 0129, 0130, 0161, 0162, 0284, 0317, 0318, 0403. ----- Note -----
5	793991	Head-Cylinder	20	★795387	Seal-Oil (PTO Side)			791632 Rod- Connecting (Standard) Used on Type No(s). 0110, 0111, 0115, 0124, 0125.
7	★Δ794114	Gasket-Cylinder Head	22	692125	Screw (Crankcase Cover/Sump)			699106 Crankshaft Used on Type No(s). 0116.
10	697157	Screw (Breather Assembly)	23	693556	Flywheel Used on Type No(s). 0110, 0111, 0112, 0113, 0114, 0124, 0125, 0126, 0130, 0131, 0136, 0161, 0162, 0318, 0403. ----- Note -----			693557 Flywheel Used on Type No(s). 0115, 0116, 0123, 0284, 0317.
11	794683	Tube-Breather (Used After Code Date 07071800). ----- Note ----- 697113 Tube-Breather (Used Before Code Date 07071900).						698282 Flywheel Used on Type No(s). 0129, 0132.
12	★697110	Gasket-Crankcase (.015" Thick) (Standard)	24	222698s	Key-Flywheel			792648 Piston Assembly (.020" Oversize)
13	792988	Screw (Cylinder Head) (Used After Code Date 07011400). ----- Note ----- 690360 Screw (Used Before Code Date 07011500).	25	792507	Piston Assembly (Standard) ----- Note -----			
15	690946	Plug-Oil Drain (Square Head) ----- Note ----- 691680 Plug-Oil Drain (Square Socket) Used on Type No(s). 0318, 0403.				32	791118	Screw (Connecting Rod)
						33	791934	Valve-Exhaust
						34	791935	Valve-Intake
						35	691279	Spring-Valve (Intake)
						36	691279	Spring-Valve (Exhaust)
						37	697352	Guard-Flywheel
						42	499586	Keeper-Valve
						43	691968	Slinger-Governor/Oil
						45	690564	Tappet-Valve
						46	793880	Camshaft
						50	690193	Manifold-Intake
						51★Δ●◆	692137	Gasket-Intake
						53	690227	Stud (Carburetor)
						54	691148	Screw (Intake Manifold)

★ Included in Engine Gasket Set-Ref. No.358.

● Included in Carburetor Overhaul Kit-Ref. No. 121 or 121A.

◆ Included in Carburetor Gasket Set-Ref. No. 977.

Δ Included in Valve Gasket Set-Ref. No 1095.

Illustrations cover a range of engines. Parts shown without corresponding text may not be used on your specific engine.

5035-9

Assemblies include all parts shown in frames.

03/18/2008

31F700

REF. NO.	PART NO.	DESCRIPTION	REF. NO.	PART NO.	DESCRIPTION	REF. NO.	PART NO.	DESCRIPTION		
55	695130	Housing-Rewind Starter Used on Type No(s). 0115.	98	495800	Kit-Idle Speed	127	695005	Plug-Welch		
			98A	695408	Kit-Idle Speed			----- Note -----		
			104	●690525	Pin-Float Hinge			694524 Plug-Welch		
			104A	●694918	Pin-Float Hinge			Used on Type No(s). 0116.		
56	695129	Pulley-Starter Used on Type No(s). 0115.	105	●231855s	Valve-Float Needle	127A	●690727	Plug-Welch		
			105A	●696136	Valve-Float Needle	130	691750	Valve-Throttle		
			106	●690577	Seat-Inlet (Gravity Feed)	130A	699500	Valve-Throttle		
					----- Note -----	131	790901	Kit-Throttle Shaft		
57	695131	Spring-Rewind Starter Used on Type No(s). 0115.			●691780 Seat-Inlet (Pump Feed)	131A	699501	Kit-Throttle Shaft		
			108	692344	Valve-Choke	133	494381	Float-Carburetor		
58	695132	Rope-Starter Used on Type No(s). 0115.	108B	695419	Valve-Choke	133A	694914	Float-Carburetor		
			117	694352	Jet-Main (Standard)	135	698780	Tube-Fuel Transfer		
60	493926	Grip-Starter Rope Used on Type No(s). 0115.	117A	792296	Jet-Main (Standard)(Carburetor Part No. 791722 and 792060)	137●◆281165s		Gasket-Float Bowl		
					----- Note -----	137A	●698781	Gasket-Float Bowl		
					699457 Jet-Main (Standard)(Carburetor Part No. 697203)	141A	790902	Kit-Choke Shaft		
65	690759	Screw (Rewind Starter) (Used After Code Date 07040800). Used on Type No(s). 0115.			----- Note -----			----- Note -----		
					699457 Jet-Main (Standard)(Carburetor Part No. 697203)			699112 Kit-Choke Shaft		
								Used on Type No(s). 0116.		
			118	697228	Jet-Main (High Altitude)	141B	695420	Kit-Choke Shaft		
			118A	843099	Jet-Main (High Altitude) (Carburetor Part No. 791722 and 792060)	141C	793386	Kit-Choke Shaft (Manual Choke)		
					----- Note -----	142	●697140	Nozzle-Carburetor (Standard)		
73	697133	Screen-Rotating (Used Before Code Date 07040900).			699458 Jet-Main (High Altitude) (Carburetor Part No. 697203)	146	691639	Key-Timing		
73A	794437	Screen-Rotating (Used After Code Date 07040800).				187	791805	Line-Fuel (Formed)(10-1/4 Inches Long)(Cut to Required Length)		
			121	697241	Kit-Carburetor Overhaul (Walbro Carburetor)			----- Note -----		
74	697897	Screw (Rotating Screen) (Used Before Code Date 07040900).			----- Note -----			791806 Line-Fuel (Formed)(21 Inches Long)(Cut To Required Length)		
			121A	699521	Kit-Carburetor Overhaul (Nikki Carburetor)	187B	791766	Line-Fuel (Cut To Required Length)		
78	691003	Screw (Flywheel Guard)			125A	791858	Carburetor (Nikki)(Gravity Feed)	188	691693	Screw (Control Bracket)
81	691178	Lock-Muffler Screw			125B	794572	Carburetor (Nikki)(Gravity Feed)(Manual Choke)			
93	●690602	Bushing-Throttle Shaft								
94	498030	Kit-Idle Mixture								
94A	695425	Kit-Idle Mixture								
95	●691636	Screw (Throttle Valve)								
95A	●690718	Screw (Throttle Valve)								

★ Included in Engine Gasket Set-Ref. No.358.

● Included in Carburetor Overhaul Kit-Ref. No. 121 or 121A.

◆ Included in Carburetor Gasket Set-Ref. No. 977.

△ Included in Valve Gasket Set-Ref. No 1095.

Illustrations cover a range of engines. Parts shown without corresponding text may not be used on your specific engine.

5035-10

Assemblies include all parts shown in frames.

03/18/2008

REF. NO.	PART NO.	DESCRIPTION	REF. NO.	PART NO.	DESCRIPTION	REF. NO.	PART NO.	DESCRIPTION
192	691986	Adjuster-Rocker Arm	240A	691035	Filter-Fuel (Includes Paper Element With A 40 Micron Rating) Used on Type No(s). 0111, 0112, 0113, 0114, 0116, 0124, 0125, 0126, 0129, 0130, 0131, 0132, 0136, 0161, 0318, 0403.	309	693551	Motor-Starter
202	691841	Link-Mechanical Governor	265	691024	Clamp-Casing	310	690323	Screw (Starter Motor)
209	692208	Spring-Governor (Green) ----- Note ----- 792602 Spring-Governor (Red) Used on Type No(s). 0115, 0126, 0131, 0136. 690576 Spring-Governor (Gold) Used on Type No(s). 0114. 691795 Spring-Governor (Yellow) Used on Type No(s). 0130. 260902 Spring-Governor (Green) Used on Type No(s). 0317.	267	794904	Screw (Casing Clamp)	311	497608	Brush Set
216	691840	Link-Choke	268	691025	Casing-Control Wire (Cut To Required Length)	333	795315	Armature-Magneto (Used After Code Date 07100200). ----- Note ----- 492341 Armature-Magneto (Used Before Code Date 07100300).
222	694042	Bracket-Control	269	691026	Wire-Control (Cut To Required Length)	334	691061	Screw (Magneto Armature)
222A	694335	Bracket-Control Used on Type No(s). 0116.	270	691027	Nut (Control Wire Casing)	337	491055s	Plug-Spark Used on Type No(s). 0112, 0113, 0116, 0126, 0129. ----- Note ----- 691043 Plug-Spark Used on Type No(s). 0110, 0111, 0114, 0115, 0123, 0124, 0125, 0130, 0131, 0136, 0161, 0162, 0284, 0317, 0318, 0403.
227	691374	Lever-Governor Control (Standard) ----- Note ----- 694339 Lever-Governor Control Used on Type No(s). 0116.	271	691028	Lever-Control	344	693675	Screw (Cable Clamp)
232	691842	Spring-Governor Link	276	◆692255	Washer-Sealing	346	690661	Screw (Spark Arrestor) Used on Type No(s). 0116.
238	691843	Cap-Valve	276A	695410	Washer-Sealing	356	697089	Wire-Stop
239	491657s	Switch-Oil Pressure Used on Type No(s). 0126, 0318.	300	697349	Muffler Used on Type No(s). 0116, 0126, 0161.	358	697191	Gasket Set-Engine
240	394358s	Filter-Fuel (White, 75 Microns) Used on Type No(s). 0110, 0115, 0123, 0162, 0284, 0317.	300A	698356	Muffler Used on Type No(s). 0136.	363	19203	Puller-Flywheel
			300B	498984s	Muffler Used on Type No(s). 0131.	383	89838s	Wrench-Spark Plug
			304	698599	Housing-Blower (Black) ----- Note ----- 790929 Housing-Blower (Red)	385	694476	Screw (Fuel Pump)
			305	697102	Screw (Blower Housing)	385A	690297	Screw (Fuel Pump)
			305A	697103	Screw (Blower Housing)	387	697090	Pump-Fuel (Includes Mounting Bracket)
			306	697107	Shield-Cylinder	387A	808656	Pump-Fuel
			307	691108	Screw (Cylinder Shield)	404	691691	Washer (Governor Crank)

★ Included in Engine Gasket Set-Ref. No.358.

● Included in Carburetor Overhaul Kit-Ref. No. 121 or 121A.

◆ Included in Carburetor Gasket Set-Ref. No. 977.

△ Included in Valve Gasket Set-Ref. No 1095.

Illustrations cover a range of engines. Parts shown without corresponding text may not be used on your specific engine.

5035-11

Assemblies include all parts shown in frames.

03/18/2008

31F700

REF. NO.	PART NO.	DESCRIPTION	REF. NO.	PART NO.	DESCRIPTION	REF. NO.	PART NO.	DESCRIPTION
676A	396903	Deflector-Muffler Used on Type No(s). 0116, 0136.	689	691855	Spring-Friction Used on Type No(s). 0115.	718	690959	Pin-Locating
677	690661	Screw (Muffler Deflector) Used on Type No(s). 0116, 0126, 0131, 0161.	691	*692407	Seal-Governor Shaft	729	691335	Clip-Wire (Wire Saddle)
			692	691301	Spring-Detent Used on Type No(s). 0116.	729A	691224	Clip-Wire Used on Type No(s). 0112, 0129, 0130, 0132, 0136.
			697	690372	Screw (Drive Cap)	729B	694123	Clip-Wire

★ Included in Engine Gasket Set-Ref. No.358.

● Included in Carburetor Overhaul Kit-Ref. No. 121 or 121A.

◆ Included in Carburetor Gasket Set-Ref. No. 977.

△ Included in Valve Gasket Set-Ref. No 1095.

Illustrations cover a range of engines. Parts shown without corresponding text may not be used on your specific engine.

5035-13

Assemblies include all parts shown in frames.

03/18/2008

31F700

REF. NO.	PART NO.	DESCRIPTION	REF. NO.	PART NO.	DESCRIPTION	REF. NO.	PART NO.	DESCRIPTION
741	697128	Gear-Timing	851	692424	Terminal-Spark Plug	947	694393	Solenoid-Fuel
750	790832	Screw (Oil Pump Cover)	864	697346	Adapter-Muffler Used on Type No(s). 0116, 0126, 0136, 0161.	947A	699915	Solenoid-Fuel
757	697607	Link-Counterweight	868	★690968	Seal-Valve	950	691657	Screw-Float Bowl
758	697134	Counterweight	877	393456	Wire/Connector- Alternator (Dual Circuit) Used on Type No(s). 0115, 0123, 0284, 0317.	965	499613	Cover-Oil Pump
759	697392	Pin-Counterweight	877B	393537	Wire/Connector- Alternator (Tri Circuit) Used on Type No(s). 0110, 0112, 0113, 0114, 0129, 0130, 0131, 0132, 0136, 0318, 0403.	967	697015	Filter-Pre Cleaner
783	693713	Gear-Pinion	877C	399916	Wire/Connector- Alternator (10 Amp Circuit) Used on Type No(s). 0111, 0124, 0125, 0126, 0161, 0162.	968	698403	Cover-Air Cleaner (Black) (Used After Code Date 04120500). ----- Note ----- 697084 Cover-Air Cleaner (Black) (Used Before Code Date 04120600). 699830 Cover-Air Cleaner (Red)
788	699347	Bracket-Fuel Pump Used on Type No(s). 0116.	878	398661	Harness-Alternator (Dual Circuit) Used on Type No(s). 0115, 0123, 0284, 0317.	975	495933	Bowl-Float
789	692037	Harness-Wiring Used on Type No(s). 0110, 0115, 0116, 0123, 0131, 0136, 0161, 0162.	878A	691955	Harness-Alternator (Tri Circuit) Used on Type No(s). 0110, 0112, 0113, 0114, 0129, 0130, 0131, 0132, 0318, 0403.	975A	699502	Bowl-Float
789A	698329	Harness-Wiring Used on Type No(s). 0126, 0284, 0317, 0318, 0403.	883	★692236	Gasket-Exhaust	977	690192	Gasket Set-Carburetor
789B	790544	Harness-Wiring Used on Type No(s). 0318, 0403.	884	691956	Clamp-Muffler Used on Type No(s). 0131.	987	●691326	Seal-Throttle Shaft
797	693167	Nut (Brush Retainer)	914	691108	Screw (Rocker Cover)	987A	●698777	Seal-Throttle Shaft
801	691283	Cap-Drive	918	791851	Hose-Vacuum	994	392390	Arrestor-Spark Used on Type No(s). 0116.
802	691286	Cap-End	943	★690589	Seal-O Ring (Oil Pump Cover)	1005	794438	Fan-Flywheel (Used After Code Date 07040800).
803		Housing-Starter (Not Serviced Separately, Order Starter Motor 693551)				1005A	794436	Fan-Flywheel (Used Before Code Date 07040900).
823	698941	Screw (Muffler Adapter)				1005B		Fan-Flywheel (No Longer Available) (See Reference 1005A For Service Flywheel Fan).
830	691095	Stud-Rocker Arm				1017	690770	Screen-Oil Pump (Push In)
842	★691031	Seal-O Ring (Dipstick Tube)				1022	★692475S	Gasket-Rocker Cover (Used Before Code Date 07091000). (After Date Code Use liquid Sealant Reference 850)
847	790442	Dipstick/Tube Assembly Used on Type No(s). 0110, 0115, 0123, 0162, 0284, 0317. ----- Note ----- 790443 Dipstick/Tube Assembly Used on Type No(s). 0111, 0112, 0113, 0114, 0116, 0124, 0125, 0126, 0129, 0130, 0131, 0132, 0136, 0161, 0318, 0403.						
850	100100	Sealant-Liquid (Rocker Cover Gasket and Breather Gasket) (Used After Code Date 07071800).						

★ Included in Engine Gasket Set-Ref. No.358.

● Included in Carburetor Overhaul Kit-Ref. No. 121 or 121A.

◆ Included in Carburetor Gasket Set-Ref. No. 977.

△ Included in Valve Gasket Set-Ref. No 1095.

Illustrations cover a range of engines. Parts shown without corresponding text may not be used on your specific engine.

5035-14

Assemblies include all parts shown in frames.

03/18/2008

REF. NO.	PART NO.	DESCRIPTION	REF. NO.	PART NO.	DESCRIPTION	REF. NO.	PART NO.	DESCRIPTION
1023	794659	Cover-Rocker	1040B	699852	Plate-Trim	1146	793380	Screw (Choke Shaft)
1024	499054	Pump-Oil (Used Before Code Date 07051700).	1044	698139	Screw (Flywheel)	1263	697124	Reed-Breather
1024A	794644	Pump-Oil (Used After Code Date 07051600).	1051	691265	Ring-Retaining	1264	697104	Screw (Breather Reed)
1026	692003	Rod-Push (Intake)	1054	280275	Tie-Cable	1265	697125	Support-Blower Housing
		----- Note -----	1058	276344	Operator's Manual	1266	★●691917	Seal-O Ring (Intake Elbow)
		692011 Rod-Push (Exhaust)	1059	698516	Kit-Screw/Washer	1266A	●697123	Seal-O Ring (Intake Elbow)
1027	492932s	Filter-Oil	1070A	690363	Screw (Flywheel Fan) (Used After Code Date 07040800),	1267	697419	Latch-Blower Housing (Black)
1029	691751	Arm-Rocker						----- Note -----
1034	690822	Guide-Push Rod	1090	691293	Retainer-Brush			697424 Latch-Blower Housing (Red)
1036		Label-Emissions (Available From A Briggs & Stratton Authorized Dealer)	1091	691333	Cap-Limiter	1270	697156	Plug-AVS Counterweight
1036A	698979	Label-Emissions Used on Type No(s). 0284.	1095	690190	Gasket Set-Valve	1279	691108	Screw (Blower Housing Support)
			1119	691183	Screw (Alternator)	1319	794467	Label-Warning
			1127	695407	Screw (Float Bowl)			

★ Included in Engine Gasket Set-Ref. No.358.

● Included in Carburetor Overhaul Kit-Ref. No. 121 or 121A.

◆ Included in Carburetor Gasket Set-Ref. No. 977.

△ Included in Valve Gasket Set-Ref. No 1095.

Illustrations cover a range of engines. Parts shown without corresponding text may not be used on your specific engine.

5035-15

Assemblies include all parts shown in frames.

03/18/2008

Free Manuals Download Website

<http://myh66.com>

<http://usermanuals.us>

<http://www.somanuals.com>

<http://www.4manuals.cc>

<http://www.manual-lib.com>

<http://www.404manual.com>

<http://www.luxmanual.com>

<http://aubethermostatmanual.com>

Golf course search by state

<http://golfingnear.com>

Email search by domain

<http://emailbydomain.com>

Auto manuals search

<http://auto.somanuals.com>

TV manuals search

<http://tv.somanuals.com>