

Installation Instructions

S200X Suspension Seat Kit Part No. 5600136

For Snapper Pro S200X Models (5900664 & 5900692)

Kit Contents:

Part No.	Qty.	Description
5101214	1	Suspension Seat
5401044D	1	Extension, Seat Belt
5403471D	1	Plate, Seat Support
5101123	1	Sleeve Buckle, Seat Belt
5025010X6	1	Bolt, 1/4-20 X 3/4 GD5 YZ
5025391	1	Nut, 1/4-20 Hex Nylock Flange
5025154	1	Washer, 1/4 SAE

WARNING

Before beginning any service work turn off the PTO, set the parking brake, turn off the ignition, and disconnect the spark plug wire(s).

Installing The Suspension Seat

1. Park machine on a flat, level surface and engage the parking brake. Disengage the PTO switch, turn off the engine and remove the key from the ignition.
2. Raise the seat plate (B, Figure 1) to gain access to the four (4) 5/16-18 nylock flange nuts (A) that secure the existing seat to the seat plate.
3. Remove the four (4) 5/16-18 nylock flange nuts and remove the seat from the seat plate. Retain the four (4) 5/16-18 nylock flange nuts.
4. Using the 1/4 hardware secure (B, C & D, Figure 2) the seat support plate (A) to the seat plate.
5. See Figure 3. Install the new suspension seat onto the seat plate and secure using the four (4) 5/16-18 nylock flange nuts that were removed in step 3.

Installing The New Seat Belt Components

6. See Figure 4. On the right hand side of the machine, replace the existing seat sleeve buckle with the new seat sleeve buckle. Replace the existing seat belt extension plate with new seat belt extension plate.

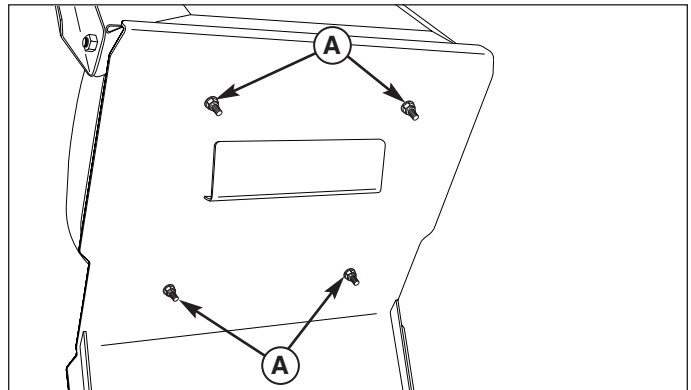
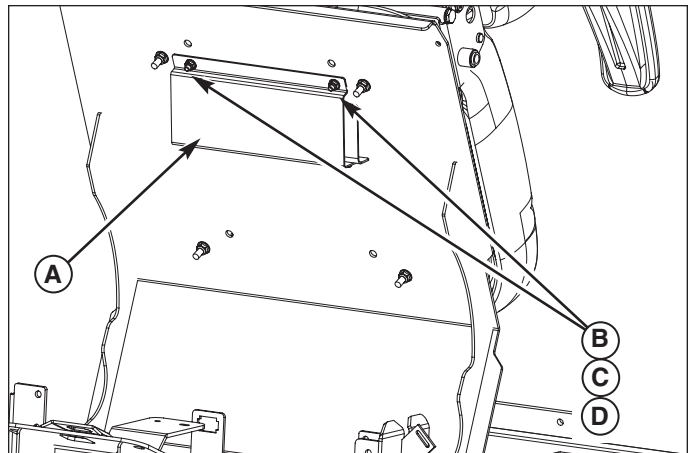


Figure 1. Remove The Existing Seat
A. 5/16-18 Nylock Flange Nuts
B. Seat Plate



Left Side View of
Seat Plate

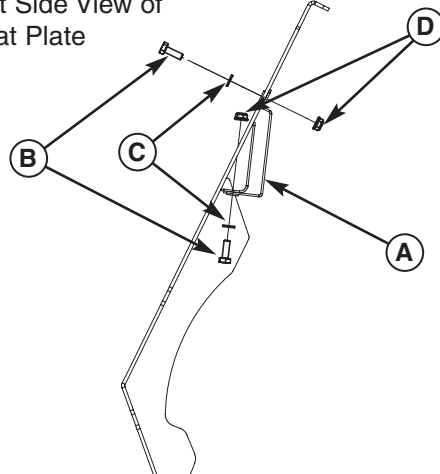


Figure 2. Install the Seat Support Plate
A. Seat Support Plate
B. 1/4-20 X 3/4 Bolt
C. 1/4 SAE Washer
D. 1/4-20 Hex Nylock Flange Nut

Suspension Seat Adjustment

See Figure 5. In addition to the forward and backward seat adjustment, models equipped with suspension seats can be adjusted for lumbar support, suspension and back angle.

Forward and Backward Adjustment:

Move the forward / backward seat adjustment lever (A, Figure 5) away from the seat, position the seat as desired, and release the lever to lock the seat into position.

Lumbar Adjustment:

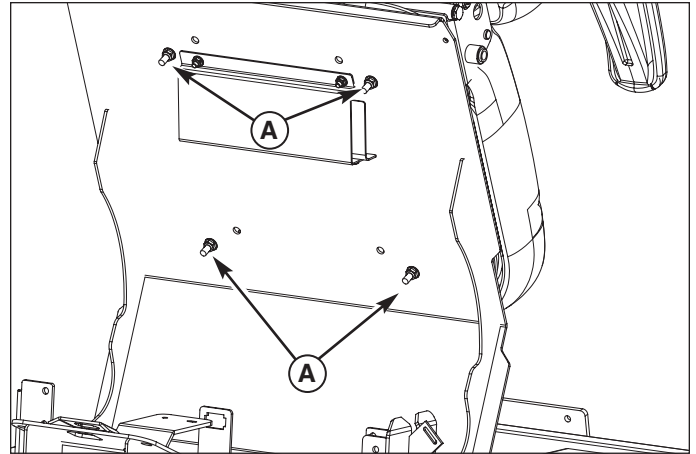
Turn the lumbar adjustment knob (B) until the desired amount of lumbar is achieved.

Back Angle Adjustment:

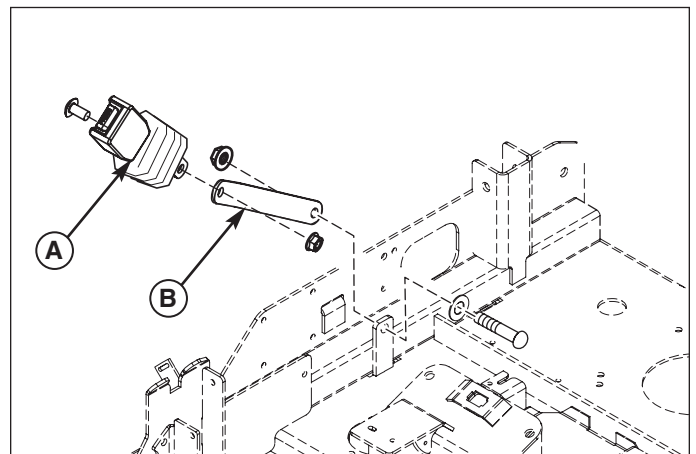
Turn the back angle adjustment knob (C) until the desired amount of back angle is achieved.

Suspension Adjustment:

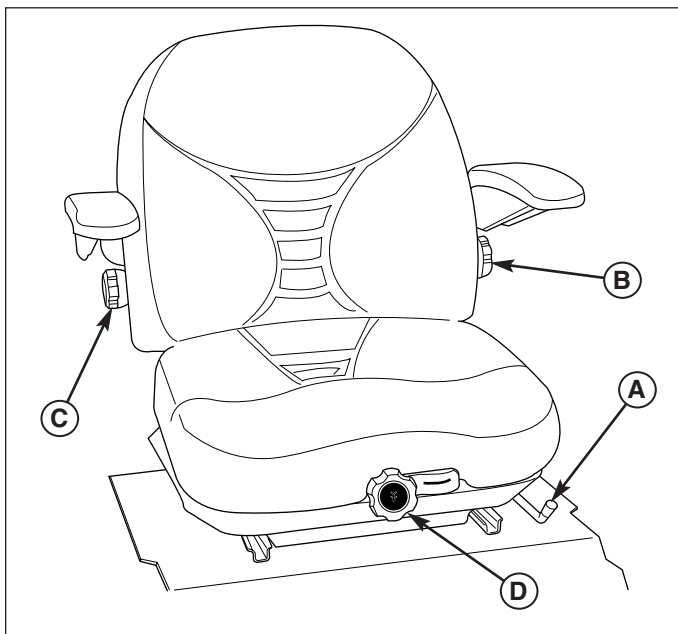
Turn the suspension adjustment knob (D) until the display scale has a reading that matches the weight of the operator.



**Figure 3. Install the Suspension Seat
A. 5/16-18 Nylock Flange Nut**



**Figure 4. Install the New Seat Sleeve Buckle & Seat
Belt Extension Plate
A. Seat Sleeve Buckle
B. Seat Belt Extension Plate**



**Figure 5. Suspension Seat Adjustment
A. Forward / Backward Seat Adjustment Lever
B. Lumbar Adjustment Knob
C. Back Angle Adjustment Knob
D. Suspension Adjustment Knob**

Free Manuals Download Website

<http://myh66.com>

<http://usermanuals.us>

<http://www.somanuals.com>

<http://www.4manuals.cc>

<http://www.manual-lib.com>

<http://www.404manual.com>

<http://www.luxmanual.com>

<http://aubethermostatmanual.com>

Golf course search by state

<http://golfingnear.com>

Email search by domain

<http://emailbydomain.com>

Auto manuals search

<http://auto.somanuals.com>

TV manuals search

<http://tv.somanuals.com>