



ELITE Series™ WATER PUMP

Owner's Manual Manuel de l'utilisateur Manual del Propietario

Questions? Help is just a moment away!

Vous avez des questions? Vous n'avez pas besoin d'aller
loin pour trouver de l'aide!

Preguntas? La ayuda es justa un momento lejos!

Call: **Helpline**

Appelez: **Ligne d'assistance**

Llame: **Línea Directa**

1-800-743-4115 M-F 8-5 CT

web: www.briggsandstratton.com

073001

073002

073003



CAUTION

Before using this product, read this manual and follow all Safety Rules and Operating Instructions.



MISE EN GARDE

Avant d'utiliser ce produit, veuillez lire le manuel et suivre toutes les directives relatives à la sécurité et à l'utilisation.



PRECAUCIÓN

Antes de utilizar el producto, lea este manual y siga todas las Reglas de Seguridad e Instrucciones de Uso.



0 24847 16414 5

BRIGGS & STRATTON POWER PRODUCTS GROUP, LLC
JEFFERSON, WISCONSIN, U.S.A.

Manual No. 197988GS
Revision 1 (08/17/2005)



SAVE THESE INSTRUCTIONS

TABLE OF CONTENTS

Safety Rules 2-4
 Know Your Water Pump 5-7
 Assembly 8-10
 Operation 11-14
 Specifications 15-16
 Maintenance 17-20
 Storage 21
 Troubleshooting 22
 Emission Control Warranty 23-24
 Warranty 25

EQUIPMENT DESCRIPTION



Read this manual carefully and become familiar with your water pump. Know its applications, its limitations and any hazards involved.

 CAUTION
These water pumps are manufactured to pump ONLY clear water that is not intended for human consumption.

This water pump can be used in light construction or in an emergency to transfer water from a flooded or unwanted location such as a basement. It can also be used for draining swimming pools or for watering a lawn or garden.


Every effort has been made to ensure that information in this manual is accurate and current. However, we reserve the right to change, alter or otherwise improve the product and this document at any time without prior notice.

The Emissions Control System for this water pump is warranted for standards set by the Environmental Protection Agency and the California Air Resources Board.

SAFETY RULES










This is the safety alert symbol. It is used to alert you to potential personal injury hazards. Obey all safety messages that follow this symbol to avoid possible injury or death.

The safety alert symbol () is used with a signal word (DANGER, CAUTION, WARNING), a pictorial and/or a safety message to alert you to hazards. **DANGER** indicates a hazard which, if not avoided, will result in death or serious injury. **WARNING** indicates a hazard which, if not avoided, could result in death or serious injury. **CAUTION** indicates a hazard which, if not avoided, might result in minor or moderate injury. **CAUTION**, when used **without** the alert symbol, indicates a situation that could result in equipment damage. Follow safety messages to avoid or reduce the risk of injury or death.

 WARNING
The engine exhaust from this product contains chemicals known to the State of California to cause cancer, birth defects, or other reproductive harm.


Hazard Symbols and Meanings

		
Toxic Fumes	Kickback	Electrical Shock
		
Explosion	Fire	
		
Moving Parts	Hot Surface	

Copyright © 2005 Briggs & Stratton Power Products Group, LLC. All rights reserved. No part of this material may be reproduced or transmitted in any form by any means without the express written permission of Briggs & Stratton Power Products Group, LLC.




⚠ WARNING

 Running water pump gives off carbon monoxide, an odorless, colorless, poison gas. Breathing carbon monoxide can cause nausea, fainting or death.


- Operate water pump ONLY outdoors.
- Keep exhaust gas from entering a confined area through windows, doors, ventilation intakes or other openings.
- DO NOT operate water pump inside any building, confined area or enclosure, such as basements, garages or a similar location, even if doors or windows are open.

⚠ WARNING

 Rapid retraction of starter cord (kickback) will pull hand and arm toward engine faster than you can let go. Broken bones, fractures, bruises or sprains could result. Keep hands and body clear from discharge of pump.

- When starting engine, pull cord slowly until resistance is felt and then pull rapidly to avoid kickback.
- Secure discharge hose to avoid whipping.

⚠ WARNING

 Unintentional sparking can result in fire or electric shock.

WHEN ADJUSTING OR MAKING REPAIRS TO YOUR WATER PUMP

- Disconnect the spark plug wire from the spark plug and place the wire where it cannot contact spark plug.

WHEN TESTING FOR ENGINE SPARK

- Use approved spark plug tester.
- DO NOT check for spark with spark plug removed.

⚠ WARNING

 Fuel and its vapors are extremely flammable and explosive.

 Fire or explosion can cause severe burns or death.

WHEN ADDING OR DRAINING FUEL

- Turn water pump OFF and let it cool at least 2 minutes before removing fuel cap. Loosen cap slowly to relieve pressure in tank.
- Fill or drain fuel tank outdoors.
- DO NOT overfill tank. Allow space for fuel expansion.
- Keep fuel away from sparks, open flames, pilot lights, heat, and other ignition sources.
- DO NOT light a cigarette or smoke.

WHEN STARTING EQUIPMENT

- Ensure spark plug, muffler, fuel cap and air cleaner are in place.
- DO NOT crank engine with spark plug removed.
- If fuel spills, wait until it evaporates before starting engine.

WHEN OPERATING EQUIPMENT

- DO NOT pump flammable liquids, such as fuel or fuel oils.
- This water pump is not for use in mobile equipment or marine applications.
- DO NOT tip engine or equipment at angle which causes fuel to spill.
- Secure water pump. Loads from hoses may cause tipover.
- DO NOT stop engine by moving choke lever to “Choke” position.

WHEN TRANSPORTING OR REPAIRING EQUIPMENT

- Transport/repair with fuel tank EMPTY or with fuel shutoff valve OFF.
- Disconnect spark plug wire.

WHEN STORING FUEL OR EQUIPMENT WITH FUEL IN TANK

- Store away from furnaces, stoves, water heaters, clothes dryers or other appliances that have pilot light or other ignition source because they can ignite fuel vapors.



WARNING



Running engines produce heat. Temperature of muffler and nearby areas can reach or exceed 150°F (65°C).



Severe burns can occur on contact. Combustible debris, such as leaves, grass, brush, etc. can catch fire.

- DO NOT touch hot surfaces and avoid hot exhaust gases.
- Allow equipment to cool before touching.
- The water pump must be at least 5 feet from structures having combustible walls and/or other combustible materials.
- Keep at least 3 feet of clearance on all sides of water pump for adequate cooling, maintenance and servicing.
- Reflective exhaust heat may damage fuel tank causing fire.
- Code of Federal Regulation (CFR) Title 36 Parks, Forests, and Public Property require equipment powered by an internal combustion engine to have a spark arrester, maintained in effective working order, complying to USDA Forest service standard 5100-1C or later revision. In the State of California a spark arrester is required under section 4442 of the California Public resources code. Other states may have similar laws.

WARNING



Starter and other rotating parts can entangle hands, hair, clothing, or accessories.

- NEVER place hands or body parts inside of running pump or hoses.
- DO NOT wear loose clothing, jewelry or anything that may be caught in the starter or other rotating parts.
- Tie up long hair and remove jewelry.

CAUTION

Excessively high operating speeds increase risk of injury and damage to water pump.

Excessively low speeds impose a heavy load.

- DO NOT tamper with governed speed.
- DO NOT modify water pump in any way.
- DO NOT allow unqualified persons or children to operate or service water pump.

CAUTION

Improper treatment of water pump can damage it and shorten its life.

- Be sure pump chamber is filled with water before starting the engine. NEVER run pump without priming.
- Use a non-collapsible hose on the suction side of pump.
- Use water pump only for intended uses.
- If you have questions about intended use, ask dealer or call 1-800-743-4115.
- Pumping sea water, beverages, acids, chemical solutions, or any other liquid that promotes corrosion can damage the pump.
- Ensure all connections are air tight.
- DO NOT obstruct the suction or discharge hose in any way.
- NEVER operate pump without strainer basket connected to end of suction hose.
- DO NOT exceed suction head maximum of 8m (25 ft.) and total head of 32m (106 ft.). Use shortest suction head possible (see page 11).
- NEVER allow vehicles to drive over hoses. If a hose must be positioned across a roadway, use planking on each side of hose to allow vehicles to pass over without obstructing or collapsing hose.
- Anchor pump to avoid “walking” or equipment movement, especially if located near a ditch or edge of open ravine. The equipment could fall in.
- Keep equipment away from edge of river or lake where it could cause the bank to collapse.
- DO NOT insert any objects through cooling slots.

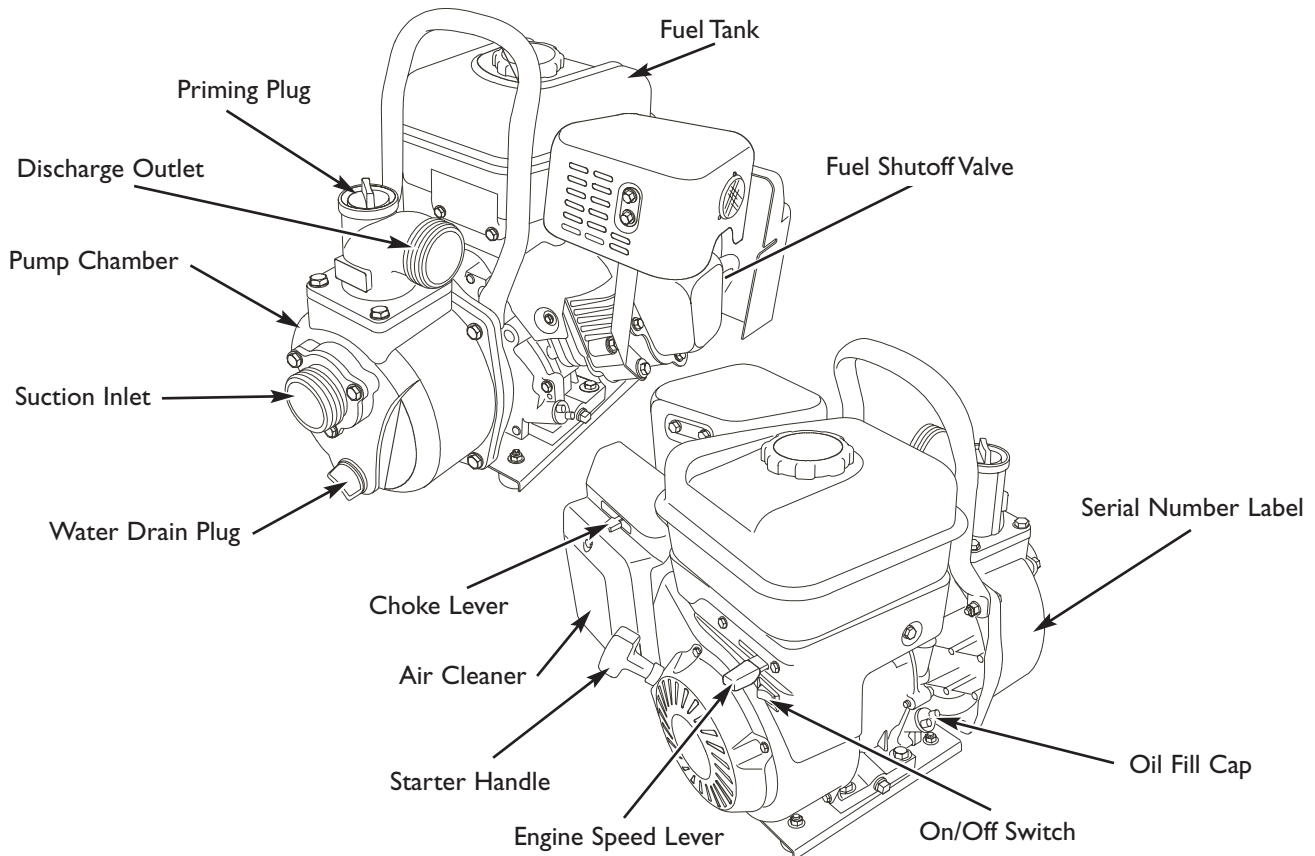


KNOW YOUR WATER PUMP - MODEL 073001



Read this owner's manual and safety rules before operating your water pump.

Compare the illustrations with your water pump, to familiarize yourself with the locations of various controls and adjustments. Save this manual for future reference.



Air Cleaner — Protects engine by filtering dust and debris out of intake air.

Choke Lever — Used when starting a cold engine.

Discharge Outlet — Connect discharge hose here.

Engine Information (not shown) — Stamped on valve cover. Provides model, type and trim number of engine. Please have these readily available when calling for assistance.

Fuel Shutoff Valve — Used to turn fuel supply on and off to engine.

Fuel Tank — Capacity of one (1) U.S. gallons.

Oil Fill Cap — Check and fill engine with oil here.

On/Off Switch — Set this switch to "On" before using starter handle. Set switch to "Off" to switch off engine.

Priming Plug — Fill pump with water here to prime pump before starting.

Pump Chamber — Be sure to fill with water before starting.

Serial Number Label — Provides model, revision and serial number of water pump. Please have these readily available when calling for assistance.

Starter Handle — Used to start the engine.

Strainer Basket (not shown) — Used to limit passage of abrasive materials into the pump.

Suction Inlet — Connect reinforced suction hose here.

Engine Speed Lever — Used to adjust engine speed to control pump output.

Water Drain Plug — Remove to drain water from pump and flush internal components with clean water.

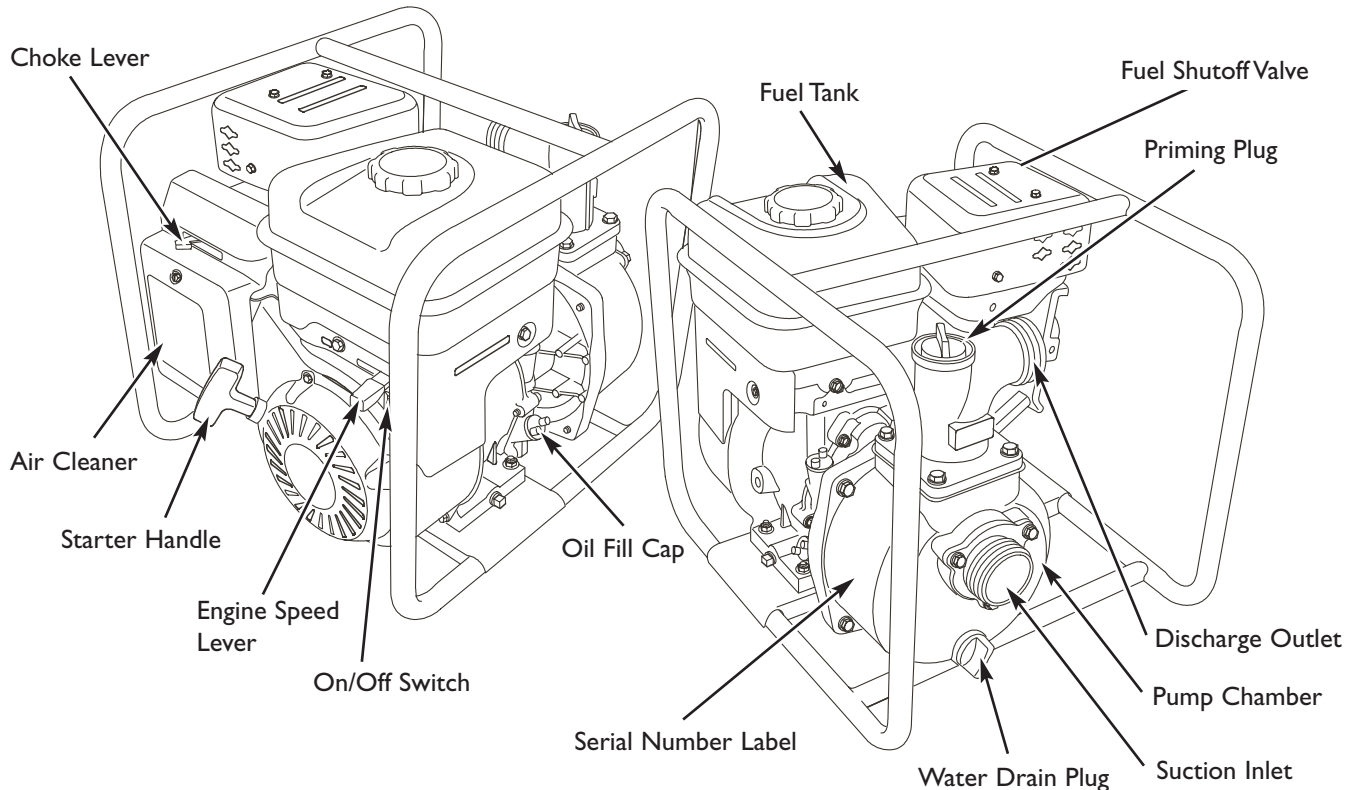


KNOW YOUR WATER PUMP - MODEL 073002



Read this owner's manual and safety rules before operating your water pump.

Compare the illustrations with your water pump, to familiarize yourself with the locations of various controls and adjustments. Save this manual for future reference.



Air Cleaner — Protects engine by filtering dust and debris out of intake air.

Choke Lever — Used when starting a cold engine.

Discharge Outlet — Connect discharge hose here.

Engine Information (not shown) — Stamped on valve cover. Provides model, type and trim number of engine. Please have these readily available when calling for assistance.

Fuel Shutoff Valve — Used to turn fuel supply on and off to engine.

Fuel Tank — Capacity of one (1) U.S. gallons.

Oil Fill Cap — Check and fill engine with oil here.

On/Off Switch — Set this switch to "On" before using recoil starter. Set switch to "Off" to switch off engine.

Priming Plug — Fill pump with water here to prime pump before starting.

Pump Chamber — Be sure to fill with water before starting.

Serial Number Label — Provides model, revision and serial number of water pump. Please have these readily available when calling for assistance.

Starter Handle — Used to start the engine.

Strainer Basket (not shown) — Used to limit passage of abrasive materials into the pump.

Suction Inlet — Connect reinforced suction hose here.

Engine Speed Lever — Used to adjust engine speed to control pump output.

Water Drain Plug — Remove to drain water from pump and flush internal components with clean water.

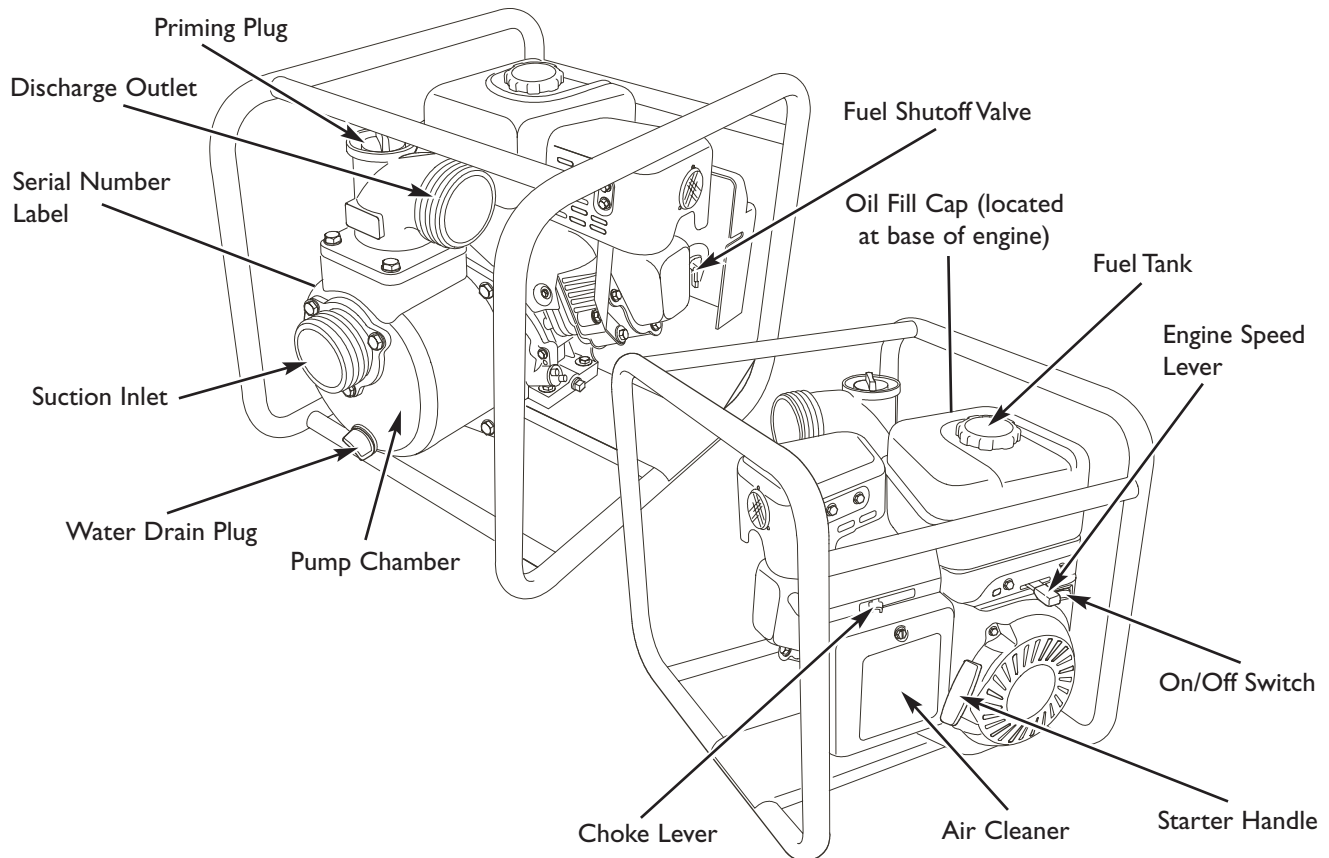


KNOW YOUR WATER PUMP - MODEL 073003



Read this owner's manual and safety rules before operating your water pump.

Compare the illustrations with your water pump, to familiarize yourself with the locations of various controls and adjustments. Save this manual for future reference.



Air Cleaner — Protects engine by filtering dust and debris out of intake air.

Choke Lever — Used when starting a cold engine.

Discharge Outlet — Connect discharge hose here.

Engine Information (not shown) — Stamped on valve cover. Provides model, type and trim number of engine. Please have these readily available when calling for assistance.

Fuel Shutoff Valve — Used to turn fuel supply on and off to engine.

Fuel Tank — Capacity of one (1) U.S. gallons.

Oil Fill Cap — Check and fill engine with oil here.

On/Off Switch — Set this switch to "On" before using recoil starter. Set switch to "Off" to switch off engine.

Priming Plug — Fill pump with water here to prime pump before starting.

Pump Chamber — Be sure to fill with water before starting.

Serial Number Label — Provides model, revision and serial number of water pump. Please have these readily available when calling for assistance.

Starter Handle — Used to start the engine.

Strainer Basket (not shown) — Used to limit passage of abrasive materials into the pump.

Suction Inlet — Connect reinforced suction hose here.

Engine Speed Lever — Used to adjust engine speed to control pump output.

Water Drain Plug — Remove to drain water from pump and flush internal components with clean water.



ASSEMBLY

Your water pump requires some assembly and is ready for use after it has been properly serviced with the recommended oil and fuel.

If you have any questions with the assembly of your water pump, please call the helpline at **1-800-743-4115**. If calling for assistance, please have the model, revision, and serial number from the serial number label available. See “Know Your Water Pump” section for serial number label location.

Unpack Water Pump

1. Remove everything from carton except water pump.
2. Open carton completely by cutting each carton corner from top to bottom.

Carton Contents

Items in the carton include:

- Water pump
- Oil bottle
- Parts bag (which includes the following):
 - This owner’s manual
 - Strainer basket and barb
 - Hose barb (2)
 - Barb cuff (2)
 - Rubber seal (2)
 - Hose clamp (3)
 - Anti-vibration kit (which includes 4 each) (Models 073002 & 073003 only):
 - Anti-vibration pad
 - Bolt
 - Washer
 - Lock nut
 - Instruction sheet

If any of the above parts are missing or damaged, call the helpline at **1-800-743-4115**.

Attach Anti-Vibration Pads

For models 073002 and 073003, you will need the following tools to install the anti-vibration pads:

- 10mm wrench
- Socket wrench with a 10mm socket

Attach anti-vibration pads to water pump as shown on instruction sheet included with anti-vibration kit.

IMPORTANT: You must attach anti-vibration pads prior to adding engine oil and fuel.

Add Engine Oil

CAUTION! Any attempt to crank or start the engine before it has been properly serviced with the recommended oil may result in an engine failure.

1. Place water pump on a flat, level surface.
2. Clean area around oil fill and remove yellow oil fill cap.
3. Using oil funnel (optional), slowly pour entire contents of provided oil bottle (18 oz.) into oil fill opening.
4. Replace oil fill cap and fully tighten.

NOTE: See the section “Oil” on page 18 to review oil recommendations.

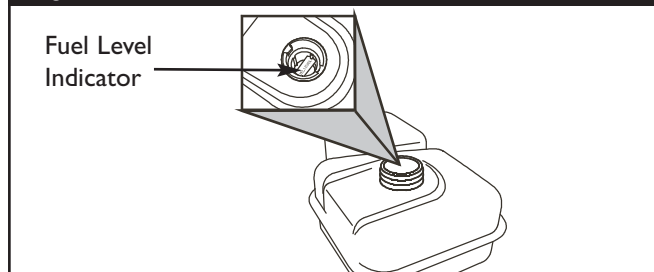
Add Fuel

NOTE: This gasoline engine is certified to operate on gasoline. Exhaust Emission Control System: EM (Engine Modifications).

WARNING	
	Fuel and its vapors are extremely flammable and explosive.
	Fire or explosion can cause severe burns or death.
WHEN ADDING FUEL	
<ul style="list-style-type: none"> • Turn water pump OFF and let it cool at least 2 minutes before removing fuel cap. Loosen cap slowly to relieve pressure in tank. • Fill fuel tank outdoors. • DO NOT overfill tank. Allow space for fuel expansion. • Keep fuel away from sparks, open flames, pilot lights, heat, and other ignition sources. • DO NOT light a cigarette or smoke. 	

1. Use clean, fresh, regular UNLEADED fuel with a minimum of 85 octane. DO NOT use fuel which contains Methanol. DO NOT mix oil with fuel.
2. Clean area around fuel fill cap, remove fuel cap.
3. Slowly add regular unleaded fuel to fuel tank. Fill to red fuel level indicator (Figure 1). Be careful not to overfill.

Figure 1 - Add Fuel to Indicator



4. Replace fuel cap and wipe up any spilled fuel.

CAUTION! Some fuels, called oxygenated or reformulated fuel, are fuels blended with alcohols or ethers. Excessive amounts of these blends can damage the fuel system or cause performance problems. If any undesirable operating symptoms occur, use fuel with a lower percentage of alcohol or ether.

Fresh fuel prevents gum from forming in the fuel system or on essential carburetor parts. Purchase fuel in quantity that can be used in 30 days.

Attach Suction Hose

You will need the following tool to install the hoses to the water pump:

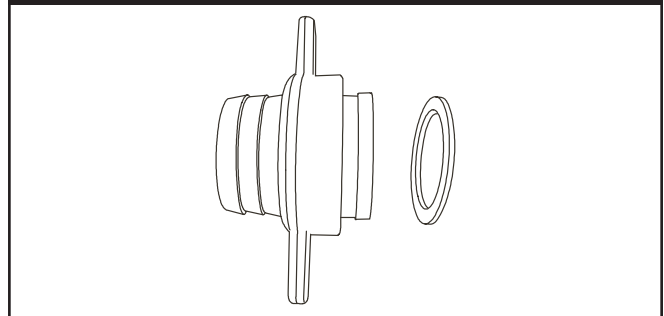
- 1/4" or 6mm standard screwdriver

Connect Suction Hose to Pump

Use a commercially available hose. The suction hose must be reinforced with a non-collapsible wall or braided material. DO NOT use a hose with an inside diameter smaller than the pumps suction port size.

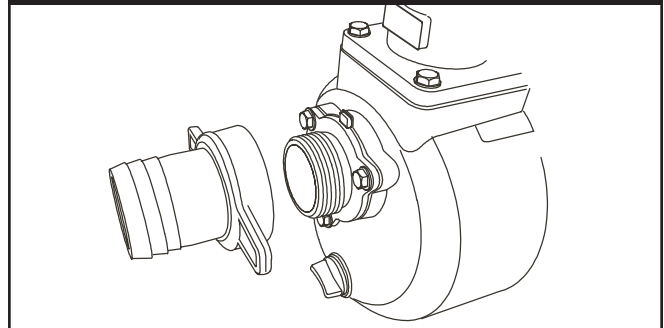
1. Slide barb cuff over hose barb. Insert rubber seal into end of barb cuff (Figure 2).

Figure 2 - Assemble Hose Barb



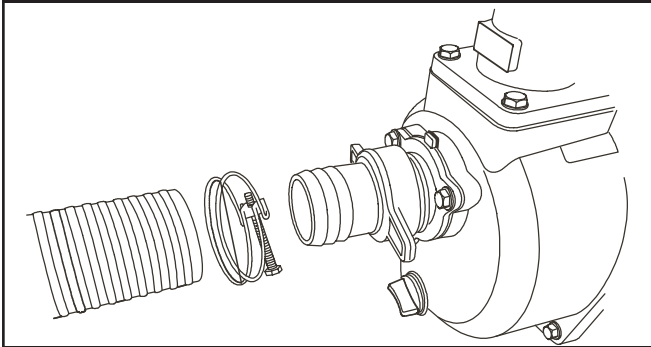
2. Screw hose barb assembly onto pump in clockwise rotation until hose barb assembly is tightened securely (Figure 3).

Figure 3 - Connect Hose Barb to Pump



- Slide hose clamp over end of hose. Slide suction hose onto hose barb (Figure 4). Tighten hose clamp securely using a standard 1/4" (6mm) screwdriver.

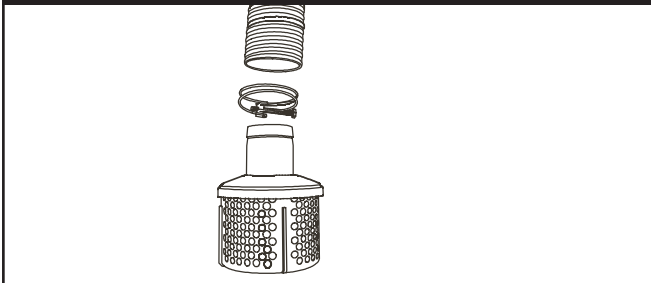
Figure 4 - Connect Suction Hose to Hose Barb



Attach Suction Hose to Strainer Basket

Slide hose clamp over hose. Attach open end of suction hose to strainer hose barb (Figure 5). Tighten hose clamp securely using a standard 1/4" (6mm) screwdriver.

Figure 5 - Attach Suction Hose to Strainer Hose Barb

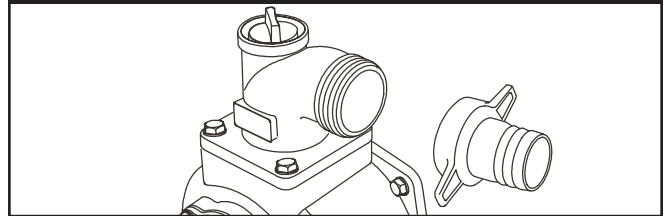


Connect Discharge Hose (Optional)

If desired, use a commercially available hose. **DO NOT** use a hose with an inside diameter smaller than the pump's discharge port size.

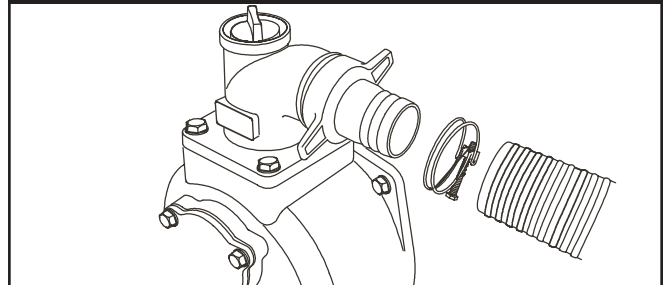
- Slide barb cuff over hose barb. Insert rubber seal into end of barb cuff (see Figure 2, earlier).
- Screw hose barb assembly onto pump in clockwise rotation until hose barb assembly is tightened securely (Figure 6).

Figure 6 - Connect Hose Barb to Pump



- Slide hose clamp over end of discharge hose. Slide discharge hose onto hose barb (Figure 7). Tighten hose clamp securely using a standard 1/4" (6mm) screwdriver.

Figure 7 - Connect Discharge Hose to Hose Barb





USING THE WATER PUMP

WARNING



Running water pump gives off carbon monoxide, an odorless, colorless, poison gas. Breathing carbon monoxide may cause nausea, fainting or death.

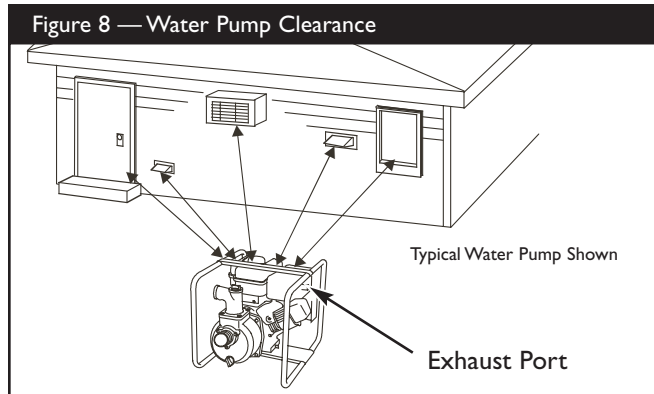
- Operate water pump **ONLY** outdoors.
- Keep exhaust gas from entering a confined area through windows, doors, ventilation intakes or other openings.
- **DO NOT** operate water pump inside any building, confined area or enclosure, such as basements, garages or a similar location, even if doors or windows are open.

Safe Operating Considerations

Clearances and Air Movement

The water pump must be at least 5 ft. (152 cm) from structures having combustible walls and/or other combustible materials. Leave at least 3 ft. (92 cm) all around water pump including overhead, for adequate cooling, maintenance and servicing.

DO NOT place water pump where exhaust gas could accumulate and enter inside or be drawn into a potentially occupied building. Ensure exhaust gas is kept away from any windows, doors, ventilation intakes or other openings that can allow exhaust gas to collect in a confined area (Figure 8). Prevailing winds and air currents should be taken into consideration when positioning water pump.



What is “Head”?

Head refers to the height of a column of water that can be delivered by the discharge of the pump.

Suction Head is the vertical distance between the center of the pump and the surface of the liquid on the suction side of the pump. May also be referred to as “suction lift”. The atmospheric pressure of 14.7 psi at sea level limits suction head lift to less than approximately 26 feet for any pump.

Discharge Head is the vertical distance between the pump’s discharge port and the point of discharge, which is the liquid surface if the hose is submerged or pumping into the bottom of a tank.

Total Head is the sum of the suction head value plus the discharge head value.

As water pumping height increases, pump output decreases. The length, type, and size of the suction and discharge hoses can also significantly affect pump output.

It is important for the suction operation to be the shorter part of the total pumping action. This will decrease the priming time and improve pump performance by increasing the discharge head.

Suction head is a maximum of 25 feet and discharge head should be a maximum of 81 feet. Total head can not be more than 106 feet (Figure 9, next page).

Move Water Pump to Safe Operating Location

For best pump performance, locate the pump on a flat, level surface as close as possible to the water to be pumped. Secure water pump to avoid tipover. Use hoses that are no longer than necessary.

IMPORTANT: Direct open end of discharge hose away from home, electrical devices or anything not desired to get wet.

WARNING



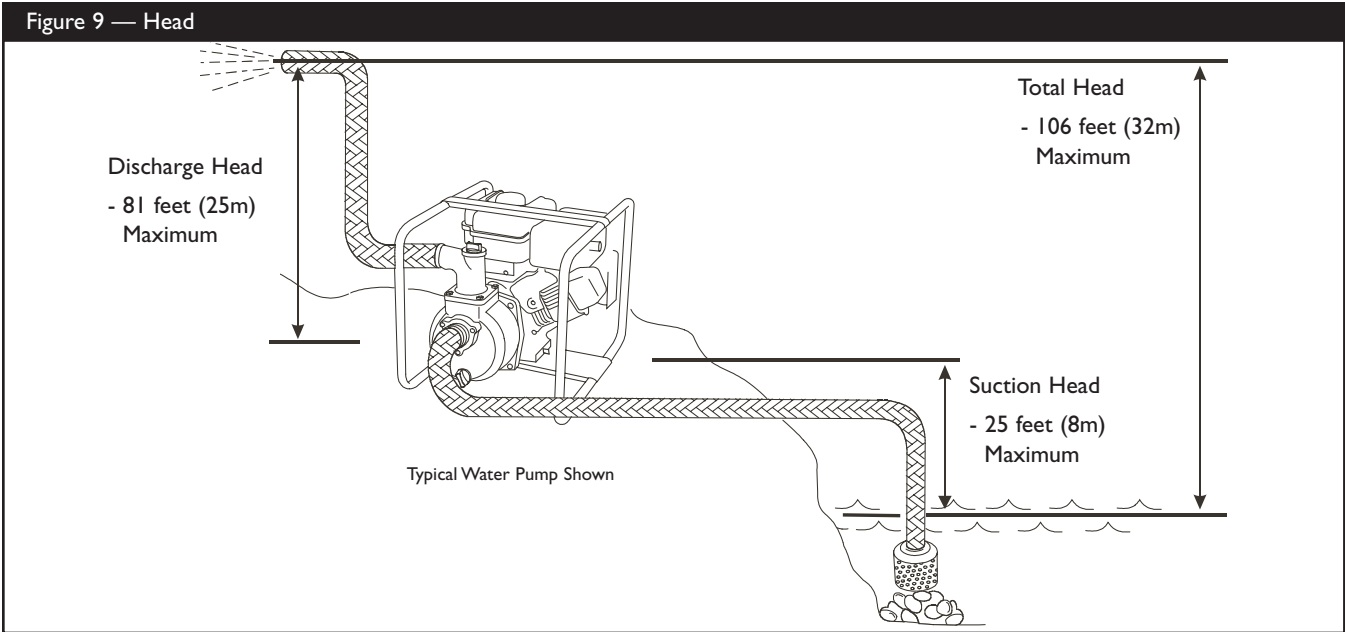
Fuel and its vapors are extremely flammable and explosive.



Fire or explosion can cause severe burns or death.

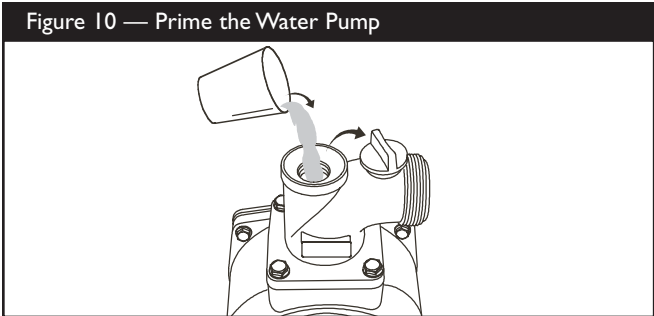
WHEN OPERATING EQUIPMENT

- This water pump is not for use in mobile equipment or marine applications.
- **DO NOT** tip engine or equipment at angle which causes fuel to spill.
- Secure water pump. Loads from hoses may cause tipover.



Prime the Water Pump

1. Remove plug from top of pump (Figure 10).



2. Fill pump with clean, clear water up to top of discharge outlet (Figure 10).
3. Replace pump plug.

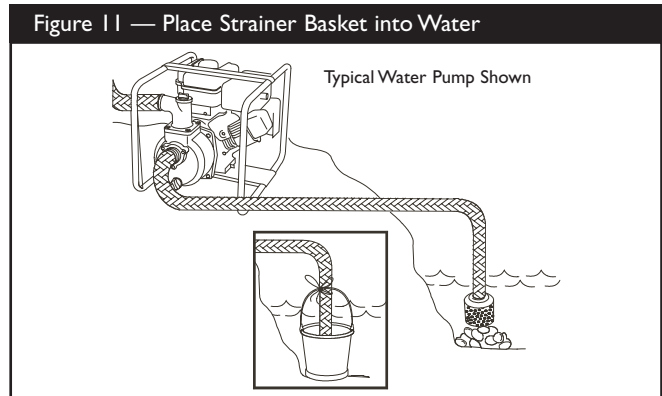
CAUTION

Improper treatment of water pump can damage it and shorten its life.

- Be sure pump chamber is filled with water before starting the engine. NEVER run pump without priming.

Locate Strainer Basket Into Water Source

Place strainer basket into water to be pumped. Basket must be fully immersed in water (Figure 11).



CAUTION

Improper treatment of water pump can damage it and shorten its life.

- NEVER operate pump without strainer connected to end of suction hose.
- Keep strainer out of sand or silt, place in bucket or on stones.
- DO NOT let pump run dry or damage to seals may result.

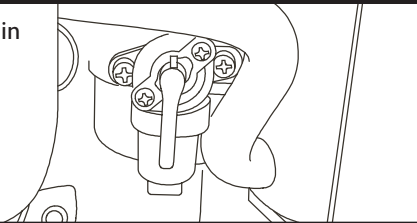
Starting the Water Pump

Use the following start instructions:

1. Make sure unit is on a flat, level surface and pump chamber is primed.
2. Turn white fuel valve to “On” position (Figure 12). The fuel valve handle will be vertical (pointing toward the ground).

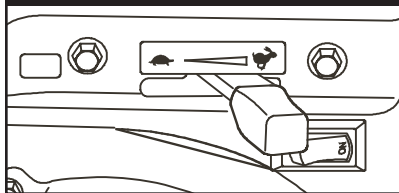
Figure 12 — Fuel Valve

Fuel Valve is shown in “On” position



3. Push on/off switch to “On” position (Figure 13).

Figure 13 — On/Off Switch and Engine Speed Lever

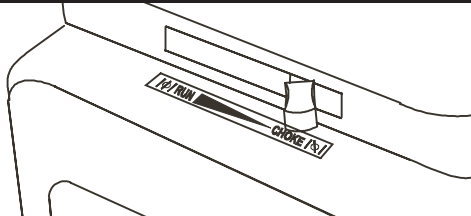


Switch is shown in “On” position
Lever is shown in “Fast” position

4. Move engine speed lever to “Fast” (↗) position (Figure 13).
5. Move choke lever to “Choke” (↘) position (Figure 14).

Figure 14 — Choke Lever

Choke Lever shown in “Choke” position



6. Grasp recoil handle and pull slowly until slight resistance is felt. Then pull handle rapidly to overcome compression, prevent kickback and start engine.

WARNING



Rapid retraction of starter cord (kickback) will pull hand and arm toward engine faster than you can let go.

Broken bones, fractures, bruises or sprains could result.

- When starting engine, pull cord slowly until resistance is felt and then pull rapidly to avoid kickback.

IMPORTANT: If excessive fuel is present in the air/fuel mixture causing a “flooded” condition, move choke lever to “Run” (↕) position and pull handle repeatedly until engine starts.

7. Move choke lever to “Run” (↕) position a short distance at a time over several seconds in warm weather or minutes in cold weather. Let engine run smoothly before each change. Operate with choke in “Run” position.

IMPORTANT: It may take a few minutes for water pump to begin pumping water.

WARNING



Running engines produce heat. Temperature of muffler and nearby areas can reach or exceed 150°F (65°C).



Severe burns can occur on contact.

Combustible debris, such as leaves, grass, brush, etc. can catch fire.

- DO NOT touch hot surfaces and avoid hot exhaust gases.
- Allow equipment to cool before touching.
- The water pump must be at least 5 feet from structures having combustible walls and/or other combustible materials.
- Keep at least 3 feet of clearance on all sides of water pump for adequate cooling, maintenance and servicing.
- Reflective exhaust heat may damage fuel tank causing fire.
- Code of Federal Regulation (CFR) Title 36 Parks, Forests, and Public Property require equipment powered by an internal combustion engine to have a spark arrester, maintained in effective working order, complying to USDA Forest service standard 5100-1C or later revision. In the State of California a spark arrester is required under section 4442 of the California Public resources code. Other states may have similar laws.

Pump output is controlled by adjusting engine speed.

Moving the engine speed lever in the “Fast” direction will increase pump output, and moving the engine speed lever in the “Slow” direction will decrease pump output.

Stopping the Water Pump

1. Move engine speed lever to “**Slow**” (↶) position (Figure 13).
2. Push on/off switch to “**Off**” position (Figure 13).
3. Turn white fuel valve to “**Off**” position (Figure 12).

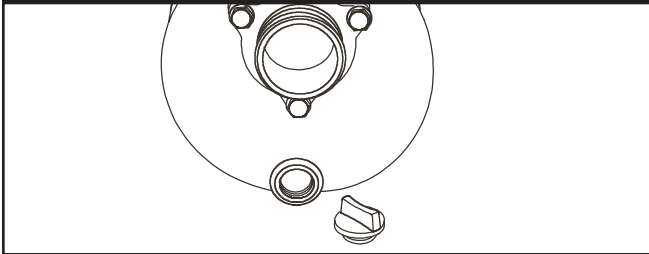
CAUTION

DO NOT stop engine by moving choke lever to “**Choke**” position. Backfire, fire or engine damage could occur.

Drain and Flush Water Pump

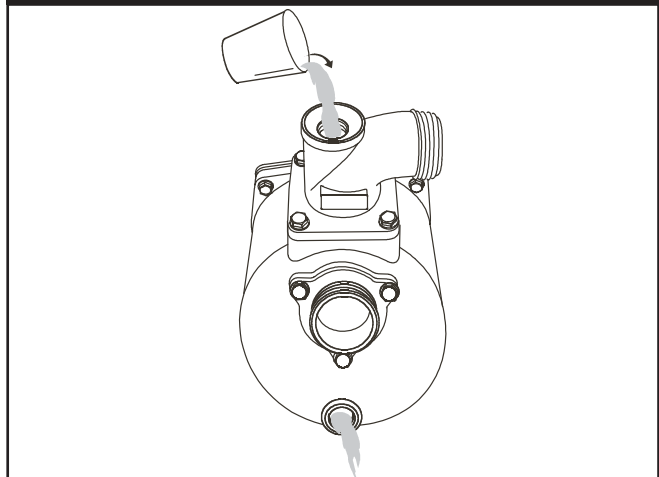
1. Disconnect and drain suction and discharge hoses.
2. Remove drain plug at bottom of pump (Figure 15).

Figure 15 — Remove Drain Plug



3. Remove plug from top of pump and flush internal components of pump with clean water (Figure 16).

Figure 16 — Remove Plug from Top of Pump and Flush



4. Replace both plugs and finger tighten.



ENGINE TECHNICAL INFORMATION

These water pumps are powered by a single cylinder, overhead valve(OHV), air cooled, low emissions engine.

In the State of California, these water pump engines are certified by the California Air Resources Board to meet emissions standards for 250 hours. Such certification does not grant the purchaser, owner or operator of this engine any additional warranties with respect to the performance or operational life of this engine. The engine is warranted as stated elsewhere in this manual.

Power Ratings

The power ratings for an individual engine model are initially developed by starting with SAE (Society of Automotive Engineers) code J1940 (Small Engine Power & Torque Rating Procedure) (Revision 2002-05). Given both the wide array of products on which our engines are placed, and the variety of environmental issues applicable to operating the equipment, it may be that the engine you have purchased will not develop the rated horsepower when used in a piece of power equipment (actual "on-site" power). This difference is due to a variety of factors including, but not limited to, the following: differences in altitude, temperature, barometric pressure, humidity, fuel, engine lubrication, maximum governed engine speed, individual engine to engine variability, design of the particular piece of power equipment, the manner in which the engine is operated, engine run-in to reduce friction and clean out of combustion chambers, adjustments to the valves and carburetor, and other factors. The power ratings may also be adjusted based on comparisons to other similar engines utilized in similar applications, and will therefore not necessarily match the values derived using the foregoing codes.

PRODUCT SPECIFICATIONS

Model 073001

Water Pump Specifications

Suction Port Diameter	2 in (50 mm)
Discharge Port Diameter	2 in (50 mm)
Total Head	106 ft (32 m)
Maximum Head	
Suction Lift	25 ft (8 m)
Discharge Lift	81 ft (25 m)
Maximum Discharge Capacity	155 US gal (586 l) per minute
Shipping Weight	127 lbs.

Engine Specifications

Rated Horsepower	5.5 at 3600 rpm
Bore	2.69 in. (68mm)
Stroke	2.20 in. (56mm)
Displacement	12.48 in. (206 cc)
Spark Plug	
Type:	Champion RC12YC or Equivalent
Set Gap To:	0.030inch (0.76mm)
Armature Air Gap:	0.010-0.014 in. (0.25-0.36mm)
Valve clearance with valve springs installed and piston 1/4 in. (6 mm) past top dead center of compression stroke (check when engine is cold).	
Intake	0.004-0.006 in. (0.10-0.15 mm)
Exhaust	0.009-0.011 in. (0.23-0.28 mm)
Fuel Capacity	1 U.S. gallons
Oil Capacity	.20 Ounces (.6 Liters)
Oil Type:	
Above 40° F	SAE 30
Below 40° F	SAE 5W-30 or 10W-30

NOTE: For practical operation, the horsepower loading should not exceed 85% of rated horsepower. Engine power will decrease 3-1/2% for each 1,000 feet (300 meters) above sea level and 1% for each 10° F (5.6° C) above 77° F (25° C). It will operate satisfactorily at an angle up to 15°.



MAINTENANCE SCHEDULE

Follow the hourly or calendar intervals, whichever occurs first.

More frequent service is required when operating in adverse conditions noted below.

MAINTENANCE SCHEDULE FILL IN DATES AS YOU COMPLETE REGULAR SERVICE	SERVICE DATES				SERVICE DATES		
	Before Each Use	Every 25 Hours or Yearly	Every 50 Hours or Yearly	Every 100 Hours or Yearly			
Clean debris	X						
Check oil level	X						
Change engine oil			X ¹				
Service air cleaner		X ²					
Service spark plug				X			
Service spark arrester			X				
Clean cooling system				X ²			
Prepare for storage	If unit is to remain idle for longer than 30 days.						

- ¹ Change oil after the first (5) operating hours and every 50 hours or every year, whichever occurs first, thereafter. Change oil sooner when operating under dirty or dusty conditions.
- ² Replace more often under dirty or dusty conditions.

General Recommendations

Regular maintenance will improve the performance and extend the life of the water pump. See any authorized Briggs & Stratton dealer for service.

The water pump's warranty does not cover items that have been subjected to operator abuse or negligence. To receive full value from the warranty, the operator must maintain water pump as instructed in this manual.

Some adjustments will need to be made periodically to properly maintain your water pump.

All service and adjustments should be made at least once each season. Follow the requirements in the "Maintenance Schedule" chart above.

NOTE: Once a year you should clean or replace the spark plug and replace the air filter. A new spark plug and clean air filter assure proper fuel-air mixture and help your engine run better and last longer.

Emissions Control

Maintenance, replacement or repair of the emissions control devices and systems may be performed by any non-road engine repair establishment or individual. See emissions control system warranty, elsewhere in this manual.

Maintenance

Maintenance consists of keeping the water pump clean. Store the unit in a clean dry environment where it will not be exposed to excessive dust, dirt, moisture or any corrosive vapors. Cooling air slots in the water pumps engine must not become clogged with dirt, leaves or any other foreign material.

NOTE: DO NOT use a garden hose to clean water pumps engine. Water can enter engine fuel system and cause problems.

Cleaning

Daily or before use, look around and underneath water pump for signs of oil or fuel leaks. Clean accumulated debris from inside and outside water pump. Keep linkage, spring and other engine controls clean. Keep area around and behind muffler free from any combustible debris.

Engine parts should be kept clean to reduce the risk of overheating and ignition of accumulated debris.

- Use a damp cloth to wipe exterior surfaces clean.
- Use a soft bristle brush to loosen caked on dirt or oil.
- Use a vacuum cleaner to pick up loose dirt and debris.



- Use low pressure air (not to exceed 25 psi) to blow away dirt. Inspect cooling air slots and opening on water pump. These openings must be kept clean and unobstructed.

Remove silt and sludge buildup in pump body:

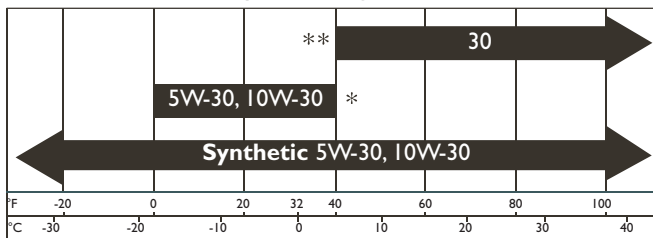
- Open priming plug and remove drain plug.
- Flush internal components of pump with clean water.

Oil

Oil Recommendations

NOTE: When adding oil to the engine crankcase, use only high quality detergent oil rated with API service classification SF, SG, SH, SJ or higher. DO NOT use special additives.

1. Choose a viscosity according to the table below:



STARTING TEMPERATURE RANGE ANTICIPATED BEFORE NEXT OIL CHANGE

* The use of multi-viscosity oils (5W-30, 10W-30, etc.) in temperatures above 40°F (4°C) will result in higher than normal oil consumption. When using a multi-viscosity oil, check oil more frequently.

** The use of SAE 30 oil in temperatures below 40°F (4°C) will result in hard starting and possible engine bore damage due to inadequate lubrication.

NOTE: Synthetic oil meeting ILSAC GF-2, API certification mark and API service symbol with “SJ/CF ENERGY CONSERVING” or higher, is an acceptable oil at all temperatures. Use of synthetic oil does not alter required oil change intervals.

Checking Oil Level

Oil level should be checked prior to each use or at least every 8 hours of operation. Keep oil level maintained.

1. Make sure unit is on a level surface.
2. Remove oil fill cap and wipe clean with cloth.
3. Verify oil is at the point of overflowing at oil fill opening.

Adding Engine Oil

1. Make sure unit is on a level surface.
2. Check oil level as described in “Checking Oil Level”.
3. If needed, slowly pour oil into oil fill opening to the point of overflowing at oil fill cap.

Changing Engine Oil

Change the oil after the first 5 hours of operation. Change oil every 50 hours thereafter. If you are using your water pump under extremely dirty or dusty conditions, or in extremely hot weather, change the oil more often.

CAUTION

Avoid prolonged or repeated skin contact with used motor oil.

- Used motor oil has been shown to cause skin cancer in certain laboratory animals.
- Thoroughly wash exposed areas with soap and water.



KEEP OUT OF REACH OF CHILDREN. DON'T POLLUTE. CONSERVE RESOURCES. RETURN USED OIL TO COLLECTION CENTERS.

Change the oil while the engine is still warm from running, as follows:

1. Make sure unit is on a level surface.
2. Disconnect the spark plug wire from the spark plug and place the wire where it cannot contact spark plug.

WARNING

Unintentional sparking can result in fire or electric shock.

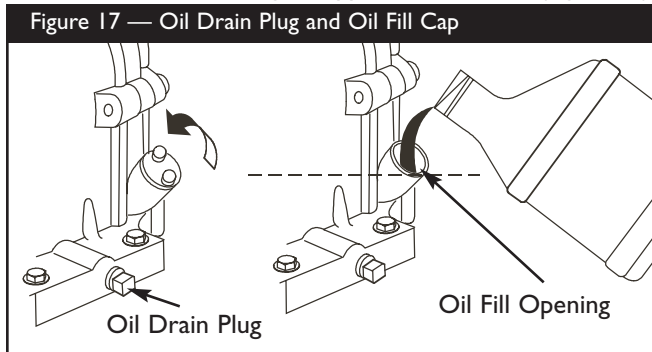
WHEN ADJUSTING OR MAKING REPAIRS TO YOUR WATER PUMP

- Disconnect the spark plug wire from the spark plug and place the wire where it cannot contact spark plug.

WHEN TESTING FOR ENGINE SPARK

- Use approved spark plug tester.
- DO NOT check for spark with spark plug removed.

3. Clean area around oil drain plug. The oil drain plug is located at base of engine, opposite carburetor (Figure 17).



4. Remove oil drain plug and drain oil completely into a suitable container.
5. Reinstall oil drain plug and tighten securely. Remove oil fill cap.
6. Slowly pour oil (about 20 oz.) into oil fill opening to the point of overflowing at oil fill cap (Figure 17). DO NOT overfill.
7. Reinstall oil fill cap. Finger tighten cap securely.
8. Wipe up any spilled oil.

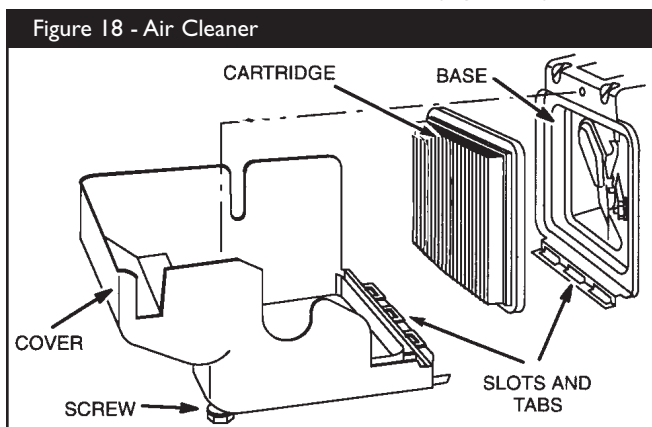
Service Air Cleaner

Your engine will not run properly and may be damaged if you run it with a dirty air cleaner.

Replace the air cleaner every 25 hours of operation or once each year, whichever comes first. Replace more often if operating under dirty or dusty conditions.

To service the air cleaner, follow these steps:

1. Loosen screw and tilt cover down (Figure 18).

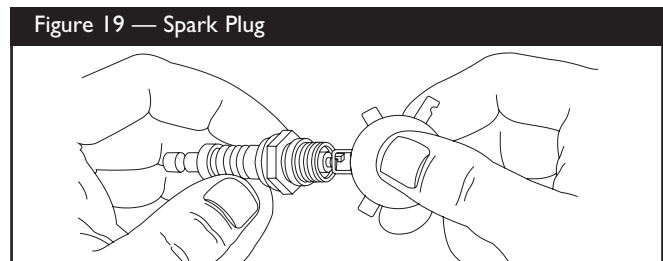


2. Carefully remove cartridge assembly.
3. To clean cartridge, gently tap pleated paper side on a flat surface.
4. Reinstall clean or new cartridge inside cover.
5. Insert cover's tabs into slots in bottom of base.
6. Tilt cover up and tighten screw securely to base.

Service Spark Plug

Change the spark plug every 100 hours of operation or once each year, whichever comes first. This will help your engine to start easier and run better.

1. Clean area around spark plug.
2. Remove and inspect spark plug.
3. Check electrode gap with wire feeler gauge and set spark plug gap to 0.030 inch (0.76mm) if necessary (Figure 19).



4. Replace spark plug if electrodes are pitted, burned or porcelain is cracked. Use the recommended replacement plug.
5. Install spark plug and tighten firmly.

Clean Spark Arrester Screen

The engine exhaust muffler may be equipped a spark arrester screen. If equipped, inspect and clean the screen every 50 hours of operation or once each year, whichever comes first.

If you use your water pump on any forest-covered, brush-covered, or grass-covered unimproved land, it must have a spark arrester. The spark arrester must be maintained in good condition by the owner/operator.

WARNING



Running engines produce heat. Temperature of muffler and nearby areas can reach or exceed 150°F (65°C).



Severe burns can occur on contact. Combustible debris, such as leaves, grass, brush, etc. can catch fire.

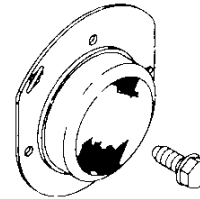
- DO NOT touch hot surfaces and avoid hot exhaust gases.
- Allow equipment to cool before touching.
- The water pump must be at least 5 feet from structures having combustible walls and/or other combustible materials.
- Keep at least 3 feet of clearance on all sides of water pump for adequate cooling, maintenance and servicing.
- Reflective exhaust heat may damage fuel tank causing fire.
- Code of Federal Regulation (CFR) Title 36 Parks, Forests, and Public Property require equipment powered by an internal combustion engine to have a spark arrester, maintained in effective working order, complying to USDA Forest service standard 5100-1C or later revision. In the State of California a spark arrester is required under section 4442 of the California Public resources code. Other states may have similar laws.

If the engine has been running, the muffler will be very hot. Allow the muffler to cool before servicing the spark arrester.

- Remove spark arrester screen for cleaning and inspection (Figure 20).

Figure 20 - Spark Arrester

Typical Spark Arrester Shown



- Inspect screen and replace if torn, perforated or otherwise damaged. DO NOT use a defective screen. If screen is not damaged, clean it with commercial solvent.
- Reattach spark arrester screen to muffler.

NOTE: You can purchase a new spark arrester screen by calling 1-800-743-4115.

Air Cooling System

Over time debris may accumulate in cylinder cooling fins and cannot be observed without partial engine disassembly. For this reason, we recommend you have an authorized Briggs & Stratton service dealer clean the cooling system per recommended intervals (see "Maintenance Schedule" on page 14). Equally important is to keep top of engine free from debris. See "Cleaning".



STORAGE

The water pump should be started at least once every seven days and allowed to run at least 30 minutes. If this cannot be done and you must store the unit for more than 30 days, use the following information as a guide to prepare it for storage.

Long Term Storage Instructions




It is important to prevent gum deposits from forming in essential fuel system parts, such as the carburetor, fuel filter, fuel hose or tank during storage. Also, experience indicates that alcohol-blended fuels (called gasohol, ethanol or methanol) can attract moisture, which leads to separation and formation of acids during storage. Acidic fuel can damage the fuel system of an engine while in storage.

Fuel Additive:

If adding a fuel additive, fill the fuel tank with fresh fuel. If only partially filled, air in the tank will promote fuel deterioration during storage. Engine and fuel can be stored up to 24 months with additive.

- Add fuel additive following manufacturer's instructions.
- Run the engine outdoors for 30 seconds to be sure that treated fuel has replaced the untreated fuel in the carburetor.

If fuel additive is not used, remove all fuel from tank and run engine until it stops from lack of fuel.




 WARNING	
	Fuel and its vapors are extremely flammable and explosive.
	Fire or explosion can cause severe burns or death.
WHEN STORING FUEL OR EQUIPMENT WITH FUEL IN TANK	
<ul style="list-style-type: none"> • Store away from furnaces, stoves, water heaters, clothes dryers or other appliances that have pilot light or other ignition source because they can ignite fuel vapors. 	
WHEN DRAINING FUEL	
<ul style="list-style-type: none"> • Turn water pump OFF and let it cool at least 2 minutes before removing fuel cap. Loosen cap slowly to relieve pressure in tank. • Drain fuel tank outdoors. • Keep fuel away from sparks, open flames, pilot lights, heat, and other ignition sources. • DO NOT light a cigarette or smoke. 	

Change Oil

While engine is still warm, drain oil from crankcase. Refill with recommended grade.

Oil Cylinder Bore

- Remove spark plug and pour about 1 ounce (30ml) of clean engine oil into the cylinder.
- Install spark plug and pull starter handle slowly to distribute oil.



 WARNING	
	Unintentional sparking can result in fire or electric shock.
	
<ul style="list-style-type: none"> • NEVER pull starter handle with spark plug removed. 	

Water Pump

1. Drain water pump as described in "Drain and Flush Water Pump".
2. Clean water pump as described in "Cleaning".
3. Check that openings on water pump are open and unobstructed.

Other Storage Tips

1. DO NOT store fuel from one season to another.
2. Replace fuel can if it starts to rust. Contaminated fuel will cause engine problems.
3. If possible, store unit indoors and cover it to give protection from dust and dirt. **BE SURE TO EMPTY FUEL TANK.**
4. Cover unit with a suitable protective cover that does not retain moisture.

 WARNING	
	Storage covers can be flammable.
<ul style="list-style-type: none"> • DO NOT place a storage cover over a hot water pump. • Let equipment cool for a sufficient time before placing the cover on the equipment. 	

5. Store water pump in clean, dry area.



TROUBLESHOOTING

Problem	Cause	Correction
No pump output or low pump output when water pump is running.	<ol style="list-style-type: none"> 1. Pump not primed. 2. Suction hose restricted, collapsed, damaged, too long, or diameter too small. 3. Strainer not completely under water. 4. Air leak at suction hose connector. 5. Strainer clogged. 6. Discharge hose restricted, damaged, too long, or diameter too small. 7. Excessive or marginal head. 8. Engine speed lever is in "Slow" position. 	<ol style="list-style-type: none"> 1. Fill pump chamber with water and prime pump. 2. Replace suction hose. 3. Sink the strainer and the end of suction hose completely under water. 4. Replace sealing washer if missing or damaged. Tighten hose connector and clamp. 5. Clean debris from strainer. 6. Replace discharge hose. 7. Relocate pump and/or hoses to reduce head. 8. Move engine speed lever to "Fast" position.
Engine will not start; lacks power; starts and runs rough; or "hunts" or falters.	<ol style="list-style-type: none"> 1. Rocker switch set to "Off". 2. Fuel valve is in "Off" position. 3. Dirty air cleaner. 4. Out of fuel. 5. Stale or contaminated fuel or water in fuel. 6. Spark plug wire not connected to spark plug. 7. Bad spark plug. 8. Excessive fuel is present in the air/fuel mixture causing a "flooded" condition. 9. Excessively rich fuel mixture. 10. Intake valve stuck open or closed. 11. Engine has lost compression. 12. Carburetor is running too rich or too lean. 	<ol style="list-style-type: none"> 1. Set switch to "On". 2. Turn fuel valve to "On" position. 3. Clean or replace air cleaner. 4. Wait two minutes and fill fuel tank. 5. Drain fuel tank and carburetor; fill with fresh fuel. 6. Connect wire to spark plug. 7. Replace spark plug. 8. Wait 5 minutes and re-crank engine. 9. Contact Authorized service facility. 10. Contact Authorized service facility. 11. Contact Authorized service facility. 12. Contact Authorized service facility.
Engine shuts down when running.	Out of gasoline.	Wait two minutes and fill fuel tank.

EMISSIONS CONTROL SYSTEM WARRANTY

**Briggs & Stratton Corporation (B&S), the California Air Resources Board (CARB)
and the United States Environmental Protection Agency (U.S. EPA)**

Emissions Control System Warranty Statement (Owner's Defect Warranty Rights and Obligations)

California, United States and Canada Emissions Control Defects Warranty Statement

The California Air Resources Board (CARB), U.S. EPA and B&S are pleased to explain the Emissions Control System Warranty on your small off-road engine (SORE). In California, new small off-road engines model year 2006 and later must be designed, built and equipped to meet the State's stringent anti-smog standards. Elsewhere in the United States, new non-road, spark-ignition engines certified for model year 1997 and later must meet similar standards set forth by the U.S. EPA. B&S must warrant the emissions control system on your engine for the periods of time listed below, provided there has been no abuse, neglect or improper maintenance of your small off-road engine.

Your emissions control system includes parts such as the carburetor, air cleaner, ignition system, fuel line, muffler and catalytic converter. Also included may be connectors and other emissions related assemblies.

Where a warrantable condition exists, B&S will repair your small off-road engine at no cost to you including diagnosis, parts and labor.

Briggs & Stratton Emissions Control Defects Warranty Coverage

Small off-road engines are warranted relative to emissions control parts defects for a period of two years, subject to provisions set forth below. If any covered part on your engine is defective, the part will be repaired or replaced by B&S.

Owner's Warranty Responsibilities

As the small off-road engine owner, you are responsible for the performance of the required maintenance listed in your Operating and Maintenance Instructions. B&S recommends that you retain all your receipts covering maintenance on your small off-road engine, but B&S cannot deny warranty solely for the lack of receipts or for your failure to ensure the performance of all scheduled maintenance.

As the small off-road engine owner, you should however be aware that B&S may deny you warranty coverage if your small off-road engine or a part has failed due to abuse, neglect, improper maintenance or unapproved modifications.

You are responsible for presenting your small off-road engine to an Authorized B&S Service Dealer as soon as a problem exists. The undisputed warranty repairs should be completed in a reasonable amount of time, not to exceed 30 days.

If you have any questions regarding your warranty rights and responsibilities, you should contact a B&S Service Representative at 1-414-259-5262.

The emissions warranty is a defects warranty. Defects are judged on normal engine performance. The warranty is not related to an in-use emissions test.

Briggs & Stratton Emissions Control Defects Warranty Provisions

The following are specific provisions relative to your Emissions Control Defects Warranty Coverage. It is in addition to the B&S engine warranty for non-regulated engines found in the Owner's Manual.

I. Warranted Parts

Coverage under this warranty extends only to the parts listed below (the emissions control systems parts) to the extent these parts were present on the engine purchased.

- a. Fuel Metering System
 - Cold start enrichment system (soft choke)
 - Carburetor and internal parts
 - Fuel Pump
 - Fuel line, fuel line fittings, clamps
- b. Air Induction System
 - Air cleaner
 - Intake manifold
- c. Ignition System
 - Spark plug(s)
 - Magneto ignition system
- d. Catalyst System
 - Catalytic converter
 - Exhaust manifold
 - Air injection system or pulse valve
- e. Miscellaneous Items Used in Above Systems
 - Vacuum, temperature, position, time sensitive valves and switches
 - Connectors and assemblies

2. Length of Coverage

B&S warrants to the initial owner and each subsequent purchaser that the Warranted Parts shall be free from defects in materials and workmanship which caused the failure of the Warranted Parts for a period of two years from the date the engine is delivered to a retail purchaser.

3. No Charge

Repair or replacement of any Warranted Part will be performed at no charge to the owner, including diagnostic labor which leads to the determination that a Warranted Part is defective, if the diagnostic work is performed at an Authorized B&S Service Dealer. For emissions warranty service contact your nearest Authorized B&S Service Dealer as listed in the "Yellow Pages" under "Engines, Gasoline," "Gasoline Engines," "Lawn Mowers," or similar category.

4. Claims and Coverage Exclusions

Warranty claims shall be filed in accordance with the provisions of the B&S Engine Warranty Policy. Warranty coverage shall be excluded for failures of Warranted Parts which are not original B&S parts or because of abuse, neglect or improper maintenance as set forth in the B&S Engine Warranty Policy. B&S is not liable to cover failures of Warranted Parts caused by the use of add-on, non-original, or modified parts.

5. Maintenance

Any Warranted Part which is not scheduled for replacement as required maintenance or which is scheduled only for regular inspection to the effect of "repair or replace as necessary" shall be warranted as to defects for the warranty period. Any Warranted Part which is scheduled for replacement as required maintenance shall be warranted as to defects only for the period of time up to the first scheduled replacement for that part. Any replacement part that is equivalent in performance and durability may be used in the performance of any maintenance or repairs. The owner is responsible for the performance of all required maintenance, as defined in the B&S Owner's Manual.

6. Consequential Coverage

Coverage hereunder shall extend to the failure of any engine components caused by the failure of any Warranted Part still under warranty.

Emissions Durability Period and Air Index Information On Your Engine Emissions Label

Engines that are certified to meet the California Air Resources Board (CARB) Tier 2 Emission Standards must display information regarding the Emissions Durability Period and Air Index. The engine manufacturer makes this information available to the consumer on emission labels.

The **Emissions Durability Period** describes the number of hours of actual running time for which the engine is certified to be emissions compliant, assuming proper maintenance in accordance with the Operating & Maintenance Instructions. The following categories are used:

Moderate: Engine is certified to be emission compliant for 125 hours of actual engine running time.

Intermediate: Engine is certified to be emission compliant for 250 hours of actual engine running time.

Extended: Engine is certified to be emission compliant for 500 hours of actual engine running time.

For example, a typical walk-behind lawn mower is used 20 to 25 hours per year. Therefore, the **Emissions Durability Period** of an engine with an **intermediate** rating would equate to 10 to 12 years.

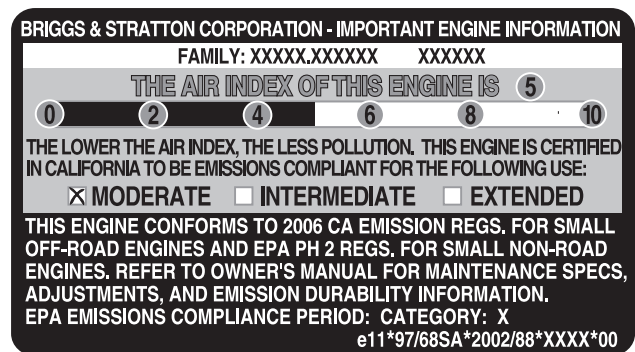
The **Air Index** is a calculated number describing the relative level of emissions for a specific engine family. The lower the **Air Index**, the cleaner the engine. This information is displayed in graphical form on the emissions label.

Emissions Compliance Period On Engine Emissions Compliance Label

After July 1, 2000 certain Briggs & Stratton engines will be certified to meet the United States Environmental Protection Agency (USEPA) Phase 2 emission standards. For phase 2 certified engines, the Emissions Compliance Period referred to on the Emissions Compliance label indicates the number of operating hours for which the engine has been shown to meet Federal emission requirements. For engines less than 225 cc displacement, Category C = 125 hours, B = 250 hours and A = 500 hours. For engines of 225 cc or more, Category C = 250 hours, B = 500 hours and A = 1000 hours.

This engine has an intermediate rating with and Air Index of 2. The EPA Emissions compliance period is Category B. The displacement of these engines is 206 cc.

Below is a generic representation of the emission label typically found on a certified engine.



BRIGGS & STRATTON POWER PRODUCTS GROUP, LLC WATER PUMP OWNER WARRANTY POLICY

Effective July 1, 2005 replaces all undated Warranties and all Warranties dated before July 1, 2005

LIMITED WARRANTY

Briggs & Stratton Power Products Group, LLC will repair or replace, free of charge, any part(s) of the water pump that is defective in material or workmanship or both. Transportation charges on parts submitted for repair or replacement under this warranty must be borne by purchaser. This warranty is effective for the time periods and subject to the conditions stated below. For warranty service, find the nearest Authorized Service Dealer in our dealer locator map at www.briggspowerproducts.com.

THERE IS NO OTHER EXPRESS WARRANTY. IMPLIED WARRANTIES, INCLUDING THOSE OF MERCHANTABILITY AND FITNESS FOR A PARTICULAR PURPOSE, ARE LIMITED TO ONE YEAR FROM PURCHASE, OR TO THE EXTENT PERMITTED BY LAW ANY AND ALL IMPLIED WARRANTIES ARE EXCLUDED. LIABILITY FOR INCIDENTAL OR CONSEQUENTIAL DAMAGES ARE EXCLUDED TO THE EXTENT EXCLUSION IS PERMITTED BY LAW. Some states or countries do not allow limitations on how long an implied warranty lasts, and some states or countries do not allow the exclusion or limitation of incidental or consequential damages, so the above limitation and exclusion may not apply to you. This warranty gives you specific legal rights and you may also have other rights which vary from state to state or country to country.

WARRANTY PERIOD

Consumer Use	2 years
Commercial Use	1 year

The warranty period begins on the date of purchase by the first retail consumer or commercial end user, and continues for the period of time stated above. "Consumer use" means personal residential household use by a retail consumer. "Commercial use" means all other uses, including use for commercial, income producing or rental purposes. Once equipment has experienced commercial use, it shall thereafter be considered as commercial use for purposes of this warranty.

NO WARRANTY REGISTRATION IS NECESSARY TO OBTAIN WARRANTY ON BRIGGS & STRATTON PRODUCTS. SAVE YOUR PROOF OF PURCHASE RECEIPT. IF YOU DO NOT PROVIDE PROOF OF THE INITIAL PURCHASE DATE AT THE TIME WARRANTY SERVICE IS REQUESTED, THE MANUFACTURING DATE OF THE PRODUCT WILL BE USED TO DETERMINE THE WARRANTY PERIOD.

ABOUT YOUR WARRANTY

We welcome warranty repair and apologize to you for being inconvenienced. Any Authorized Service Dealer may perform warranty repairs. Most warranty repairs are handled routinely, but sometimes requests for warranty service may not be appropriate. For example, warranty service would not apply if equipment damage occurred because of misuse, lack of routine maintenance, shipping, handling, warehousing or improper installation. Similarly, the warranty is void if the manufacturing date or the serial number on the water pump or engine has been removed or the equipment has been altered or modified. During the warranty period, the Authorized Service Dealer, at its option, will repair or replace any part that, upon examination, is found to be defective under normal use and service. This warranty will not cover the following repairs and equipment:

- **Normal Wear:** Outdoor Power Equipment, like all mechanical devices, needs periodic parts and service to perform well. This warranty does not cover repair when normal use has exhausted the life of a part or the equipment.
- **Installation and Maintenance:** This warranty does not apply to equipment or parts that have been subjected to improper or unauthorized installation or alteration and modification, misuse, negligence, accident, overloading, overspeeding, improper maintenance, repair or storage so as, in our judgment, to adversely affect its performance and reliability. This warranty also does not cover normal maintenance such as air filters, adjustments, fuel system cleaning and obstruction (due to chemical, dirt, etc.).
- **Other Exclusions:** This warranty excludes wear items such as seals, o-rings, etc. This warranty also excludes pumps that have been run without water or subjected to freezing or chemical deterioration. This water pump is warranted for use in clear water applications, as certain components will experience accelerated wear depending on the percentage and abrasive degree of sediment passing through the pump. Accessory parts, such as hoses or strainers, are excluded from the product warranty. This warranty excludes failures due to acts of God and other force majeure events beyond the manufacturers control.

**BRIGGS & STRATTON POWER PRODUCTS GROUP, LLC
JEFFERSON, WI, USA**

198260E, Rev 0, 07/06/2005





CONSERVEZ CES DIRECTIVES

TABLE DES MATIÈRES

Règles de sécurité 26-28
 Connaître votre pompe à eau 29-31
 Assemblage 32-34
 Fonctionnement 35-38
 Spécifications 39-40
 Entretien 41-44
 Entreposage 45
 Dépannage 46
 Garantie du dispositif antipollution 47-48
 Garantie 49

DESCRIPTION DE L'ÉQUIPEMENT

 **Lisez bien ce manuel et familiarisez-vous avec votre pompe à eau. Sachez à quoi elle peut servir, ses limites et les dangers qui y sont associés.**


 MISE EN GARDE
Ces pompes à eau sont conçues pour pomper SEULEMENT de l'eau claire qui n'est pas destinée à la consommation par des humains.


Cette pompe à eau peut être utilisée pour les petite construction ou dans les situations d'urgence pour transférer de l'eau d'un emplacement inondé ou non voulu, tel que le sous-sol. Elle peut aussi servir pour la vidange des piscines ou pour l'arrosage de la pelouse ou du jardin.


Tout a été fait pour s'assurer que les renseignements contenus dans ce manuel soient exacts et à jour. Toutefois, nous nous réservons le droit de changer, de modifier ou d'améliorer le produit et ce document en tout temps, et ce, sans préavis.

Le dispositif antipollution de cette pompe à eau répond aux normes de la Environmental Protection Agency et le California Air Resources Board.








RÈGLES DE SÉCURITÉ

 **Voici le symbole utilisé pour les avertissements de sécurité. Il est utilisé pour vous avertir des dangers possibles de blessure. Respectez tous les messages de sécurité qui suivent ce symbole pour éviter des blessures ou des décès.**

Le symbole d'avertissement de sécurité () est utilisé avec un mot signal (DANGER, MISE EN GARDE, AVERTISSEMENT), une image et/ou un message de sécurité vous avertissant des risques. Le mot **DANGER** indique un danger qui, s'il n'est pas évité, causera la mort ou des blessures graves. Le mot **AVERTISSEMENT** indique un risque qui, s'il n'est pas évité, pourrait causer la mort ou des blessures graves. Le terme **MISE EN GARDE** indique un risque qui, s'il n'est pas évité, pourrait causer des blessures mineures ou modérées. Le terme **MISE EN GARDE**, utilisé **sans** pictogramme de sécurité, indique une situation qui pourrait causer des dommages à l'équipement. Suivez les directives des messages de sécurité pour éviter ou réduire les risques de blessures ou de décès.

 AVERTISSEMENT
Les gaz d'échappement de ce produit contiennent des produits chimiques reconnus par l'État de la Californie comme causant des cancers et des malformations congénitales ou d'autres problèmes de reproduction.

Symboles de risque et leur signification

		
Fumée toxique	Recul	Choc électrique
		
Explosion	Incendie	
		
Pièces mobiles	Surface chaude	

⚠ AVERTISSEMENT



Une pompe à eau en marche dégage du monoxyde de carbone, un gaz inodore, incolore et toxique.
L'inhalation du monoxyde de carbone peut causer des nausées, l'évanouissement ou la mort.

- Faites fonctionner la pompe à eau **UNIQUEMENT** à l'extérieur.
- Assurez-vous que les gaz d'échappement ne puissent entrer dans un espace restreint par une fenêtre, une porte, une prise d'aération ou une autre ouverture.
- **NE** faites **PAS** fonctionner la pompe à eau à l'intérieur d'un bâtiment, dans un espace restreint ou d'un lieu clos, dans des garages ou d'autres emplacements similaires, même si les fenêtres et les portes sont ouvertes.

⚠ AVERTISSEMENT



Une réaction rapide de la corde du démarreur (effet de recul) tirera votre main et votre bras vers le moteur plus rapidement que vous ne pouvez relâcher la corde.
Vous risquez ainsi de subir des fractures, des ecchymoses ou des entorses.
Tenir les mains et le corps éloignés du dispositif d'échappement de la pompe.

- Lors du démarrage du moteur, tirez lentement sur la corde jusqu'à ce que vous sentiez une résistance et tirez alors rapidement afin d'éviter un effet de recul.
- Fixez le tuyau d'échappement pour éviter un coup de fouet.

⚠ AVERTISSEMENT



Une étincelle involontaire peut causer un incendie ou un choc électrique.

LORS DU RÉGLAGE OU DES RÉPARATIONS DE VOTRE POMPE À EAU

- Débranchez le câble de bougie de la bougie d'allumage et placez-le à un endroit où il ne peut être en contact avec la bougie.

LORS DE TESTS D'ALLUMAGE DU MOTEUR

- Utilisez un vérificateur de bougies d'allumage approuvé.
- **NE** vérifiez **PAS** l'allumage lorsque la bougie d'allumage est enlevée.

⚠ AVERTISSEMENT



L'essence et ses vapeurs sont extrêmement inflammables et explosives.



Un incendie ou une explosion peut causer des brûlures graves ou la mort.

LORS DE L'AJOUT OU DE LA VIDANGE DU CARBURANT

- Éteignez la pompe à eau et laissez-la refroidir au moins 2 minutes avant de retirer le bouchon à essence. Dévissez lentement le bouchon pour libérer la pression dans le réservoir.
- Remplissez ou vidangez le réservoir d'essence à l'extérieur.
- **NE** remplissez **PAS** trop le réservoir. Laissez de l'espace pour l'expansion de l'essence.
- Gardez l'essence loin des étincelles, des flammes nues, des veilleuses, de la chaleur et des autres sources d'allumage.
- N'allumez **PAS** de cigarette et **NE** fumez **PAS**.

LORS DU DÉMARRAGE DE L'ÉQUIPEMENT

- Assurez-vous que la bougie d'allumage, le silencieux, le bouchon à essence et le filtre à air sont en place.
- **NE** démarrez **PAS** le moteur lorsque la bougie d'allumage est enlevée.
- Si du carburant est renversé, attendez qu'il s'évapore avant de démarrer le moteur.

LORS DU FONCTIONNEMENT DE L'ÉQUIPEMENT

- **NE** pompez **PAS** des liquides inflammables comme de l'essence ou du mazout.
- Cette pompe à eau n'est pas conçue pour être utilisée dans de l'équipement mobile ou les applications marines.
- **NE** penchez **PAS** le moteur ou l'équipement à un angle où l'essence peut se déverser.
- Fixez la pompe à eau. Les charges contenues dans les boyaux peuvent entraîner un renversement.
- N'arrêtez **PAS** le moteur en plaçant le levier d'étrangleur à la position "Choke".

LORS DU TRANSPORT OU DE LA RÉPARATION DE L'ÉQUIPEMENT

- Le réservoir d'essence doit être **VIDE** ou le robinet d'arrêt de carburant doit être à la position fermée (OFF) pendant le transport ou la réparation.
- Débranchez le câble de la bougie d'allumage.

LORS DE L'ENTREPOSAGE DE L'ESSENCE OU DE L'ÉQUIPEMENT AVEC DE L'ESSENCE DANS LE RÉSERVOIR

- Entrez la pompe loin des fournaies, poêle, chauffe-eau, sècheuses ou autres électroménagers munis d'une veilleuse ou d'une source d'allumage car ils pourraient allumer les vapeurs d'essence.

⚠ AVERTISSEMENT



Les moteurs en marche produisent de la chaleur. La température du silencieux et des surfaces environnantes peut atteindre et dépasser 65°C (150°F).

Un contact avec ces surfaces peut causer des brûlures graves.



Les débris inflammables, tels que feuilles, herbes, broussailles, peuvent s'enflammer.

- Ne touchez pas aux pièces chaudes et évitez le contact avec les gaz d'échappement.
- Laissez l'équipement refroidir avant de le toucher.
- La pompe à eau ne doit pas se trouver à moins de 1,5 m (5 pi) de toute structure comportant des murs combustibles ou d'autres matériaux combustibles.
- Laissez un dégagement d'au moins 1 m (3 pi) tout autour de la pompe à eau pour le refroidissement, l'entretien et les réparations.
- La chaleur d'échappement réfléchie peut endommager le réservoir d'essence et causer un incendie.
- Le Code of Federal Regulation (CFR) Title 36 Parks, Forests, and Public Property exige que de l'équipement alimenté par un moteur à combustion interne soit doté d'un pare-étincelles et constamment maintenu en bon état fonctionnement, conformément à la norme de service 5100-1C de la USDA Forest ou à une révision de celle-ci. Dans l'État de la Californie, un pare-étincelles est requis en vertu de la section 4442 du California Public Resources Code. Il se peut que d'autres États aient des lois semblables.

⚠ AVERTISSEMENT



Le démarreur et d'autres pièces rotatives peuvent happer des mains, des cheveux, des vêtements ou des accessoires.

- Ne placez JAMAIS vos mains ou des parties de votre corps à l'intérieur de la pompe ou des boyaux lorsqu'elle fonctionne.
- NE portez PAS de vêtements amples, de bijoux ou autres accessoires qui pourraient se prendre dans le démarreur ou d'autres pièces rotatives.
- Attachez les cheveux longs et enlevez vos bijoux.

⚠ MISE EN GARDE

Des vitesses de fonctionnement excessivement élevées peuvent causer des blessures ou endommager la pompe à eau. Des vitesses excessivement lentes produisent une charge importante.

- NE modifiez PAS la vitesse réglée du moteur.
- NE modifiez PAS la pompe à eau, d'aucune façon.
- NE laissez PAS les personnes non qualifiées ou les enfants opérer ou entretenir la pompe à eau.

MISE EN GARDE

Le traitement inadéquat de la pompe à eau peut l'endommager et réduire sa durée de vie utile.

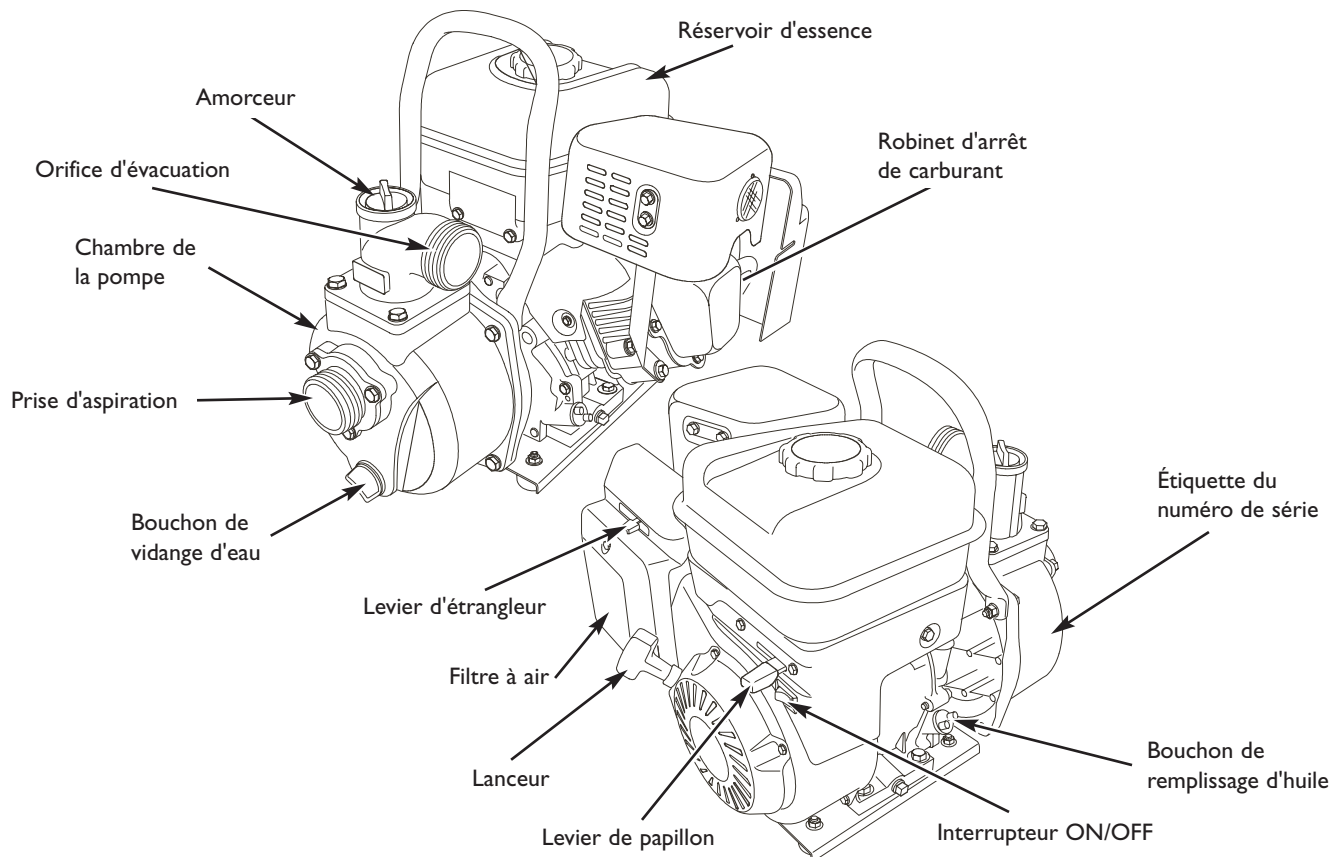
- Assurez-vous que la chambre de la pompe est pleine d'eau avant de lancer le moteur. Ne faites JAMAIS fonctionner la pompe sans l'amorcer.
- Utilisez un boyau semi-rigide du côté aspiration de la pompe.
- Utilisez la pompe à eau seulement pour les utilisations pour lesquelles elle est conçue.
- Si vous avez des questions sur l'utilisation prévue de la pompe, posez-les à votre détaillant ou appelez au 1 (800) 743-4115.
- Ne pompez que de l'eau qui n'est pas destinée à la consommation des humains.
- Pomper de l'eau de mer, des breuvages, des acides, des solutions chimiques ou tout autre liquide qui favorise la corrosion peut endommager la pompe.
- Assurez-vous que toutes les connexions sont étanches à l'air.
- N'obstruez PAS le boyau d'entrée ou d'évacuation, d'aucune manière.
- Ne faites JAMAIS fonctionner la pompe sans panier-filtre à l'extrémité du boyau d'aspiration.
- NE dépassez PAS la hauteur géométrique d'aspiration maximale de 8 m (25 pi) et une hauteur totale d'aspiration de 32 m (106 pi). Utilisez la hauteur géométrique d'aspiration la plus courte possible (voir la page 35).
- Ne laissez JAMAIS de véhicules passer sur les boyaux. Si un boyau doit traverser une route, utilisez des planches de chaque côté du boyau pour permettre aux véhicules de passer sans l'obstruer ou l'écraser.
- Ancrez la pompe pour l'empêcher de bouger ou empêcher le déplacement de l'équipement, en particulier si elle est située près d'un fossé ou d'un ravin ouvert. L'équipement pourrait tomber dans le fossé ou le ravin.
- Placez l'équipement loin du bord d'une rivière ou d'un lac dont la berge pourrait s'effondrer.
- N'insérez AUCUN objet dans les fentes de refroidissement.

CONNAÎTRE VOTRE POMPE À EAU - MODÈLE 073001



Lisez ce manuel d'utilisation et les règles de sécurité avant d'utiliser votre pompe à eau.

Comparez les illustrations à votre pompe à eau pour vous familiariser avec l'emplacement des diverses commandes et réglages. Conservez ce manuel pour référence future.



Amorceur - Remplissez la pompe d'eau ici pour amorcer la pompe avant de la faire démarrer.

Bouchon de remplissage - Vérifiez le niveau d'huile et videz l'huile à moteur ici.

Bouchon de vidange d'eau - Retirez-le pour vidanger l'eau de la pompe et rincez les composants internes avec de l'eau claire.

Chambre de la pompe - Assurez-vous qu'elle est pleine d'eau avant de lancer le moteur.

Étiquette du numéro de série - Indique le numéro de modèle, de révision et de série de la pompe à eau. Veuillez avoir ces renseignements sous la main lors d'appel de service.

Filtre à air — Protège le moteur en filtrant la poussière et les débris dans la prise d'air.

information de moteur (pas montré) - Affranchi sur la couverture de soupape. Indique le numéro de modèle, de type et taille de la moteur. Veuillez avoir ces renseignements sous la main lors d'appel de service.

Interrupteur ON/OFF - Réglez cet interrupteur sur "On" avant d'utiliser le lanceur. Réglez l'interrupteur sur "Off" pour arrêter le moteur.

Lanceur - Utilisé pour le démarrage du moteur.

Levier d'étrangleur - Utilisé lors du démarrage à froid d'un moteur.

Levier de papillon - Utilisé pour régler la vitesse du moteur afin de contrôler le débit de la pompe.

Orifice d'évacuation - Branchez le boyau d'évacuation à cet endroit.

Panier-filtre (pas montré) - Utilisé pour limiter le passage de matériels abrasifs dans la pompe.

Prise d'aspiration - Branchez le boyau d'aspiration renforcé ici.

Réservoir d'essence - Capacité de un (1) gallon américain (3,8 l).

Robinet d'arrêt de carburant - Utilisé pour alimenter le moteur en essence ou pour couper l'alimentation en essence du moteur.

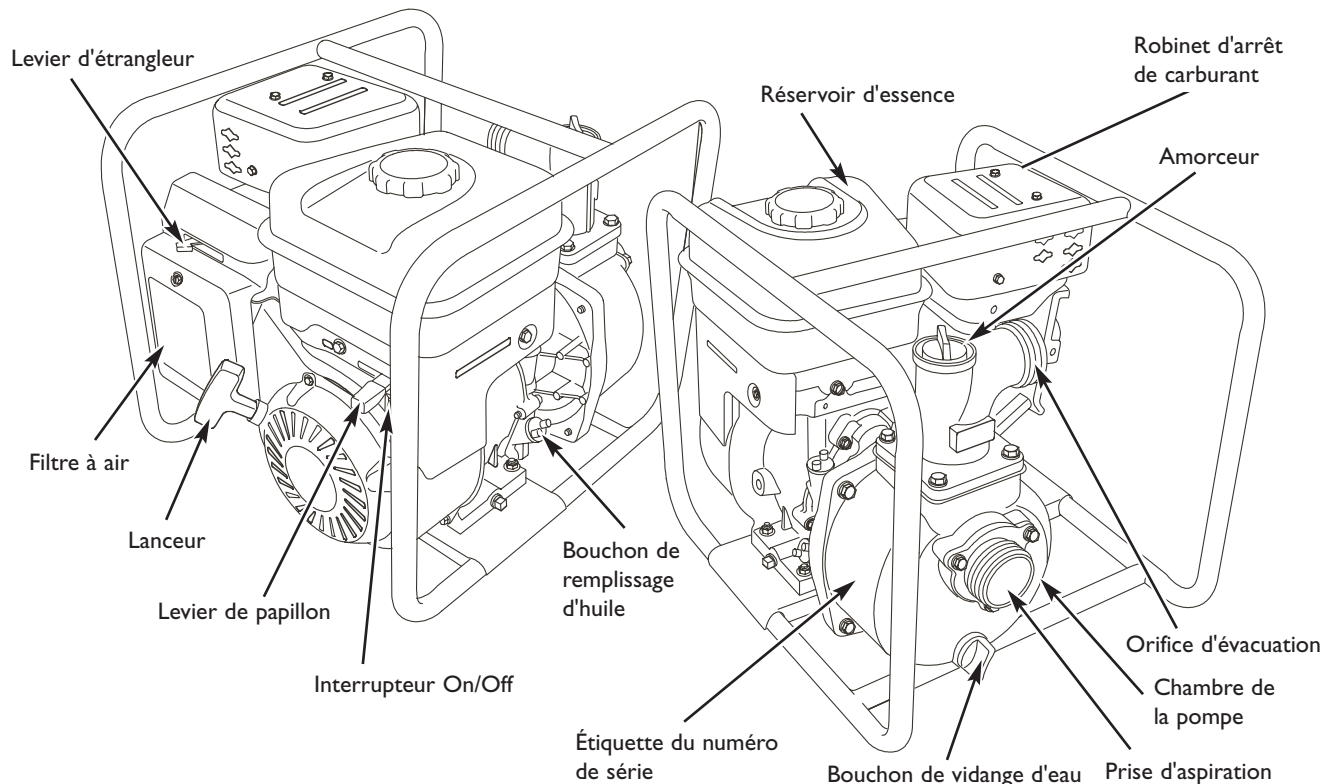


CONNAÎTRE VOTRE POMPE À EAU - MODÈLE 073002



Lisez ce manuel d'utilisation et les règles de sécurité avant d'utiliser votre pompe à eau.

Comparez les illustrations à votre pompe à eau pour vous familiariser avec l'emplacement des diverses commandes et réglages. Conservez ce manuel pour référence future.



Amorceur - Remplissez la pompe d'eau ici pour amorcer la pompe avant de la faire démarrer.

Bouchon de remplissage - Vérifiez le niveau d'huile et videz l'huile à moteur ici.

Bouchon de vidange d'eau - Retirez-le pour vidanger l'eau de la pompe et rincez les composants internes avec de l'eau claire.

Chambre de la pompe - Assurez-vous qu'elle est pleine d'eau avant de lancer le moteur.

Étiquette du numéro de série - Indique le numéro de modèle, de révision et de série de la pompe à eau. Veuillez avoir ces renseignements sous la main lors d'appel de service.

Filtre à air — Protège le moteur en filtrant la poussière et les débris dans la prise d'air.

information de moteur (pas montré) - Affranchi sur la couverture de soupape. Indique le numéro de modèle, de type et tailler de la moteur. Veuillez avoir ces renseignements sous la main lors d'appel de service.

Interrupteur ON/OFF - Réglez cet interrupteur sur "On" avant d'utiliser le lanceur. Réglez l'interrupteur sur "Off" pour arrêter le moteur.

Lanceur - Utilisé pour le démarrage du moteur.

Levier d'étrangleur - Utilisé lors du démarrage à froid d'un moteur.

Levier de papillon - Utilisé pour régler la vitesse du moteur afin de contrôler le débit de la pompe.

Orifice d'évacuation - Branchez le boyau d'évacuation à cet endroit.

Panier-filtre (pas montré) - Utilisé pour limiter le passage de matériels abrasifs dans la pompe.

Prise d'aspiration - Branchez le boyau d'aspiration renforcé ici.

Réservoir d'essence - Capacité de un (1) gallon américain (3,8 l).

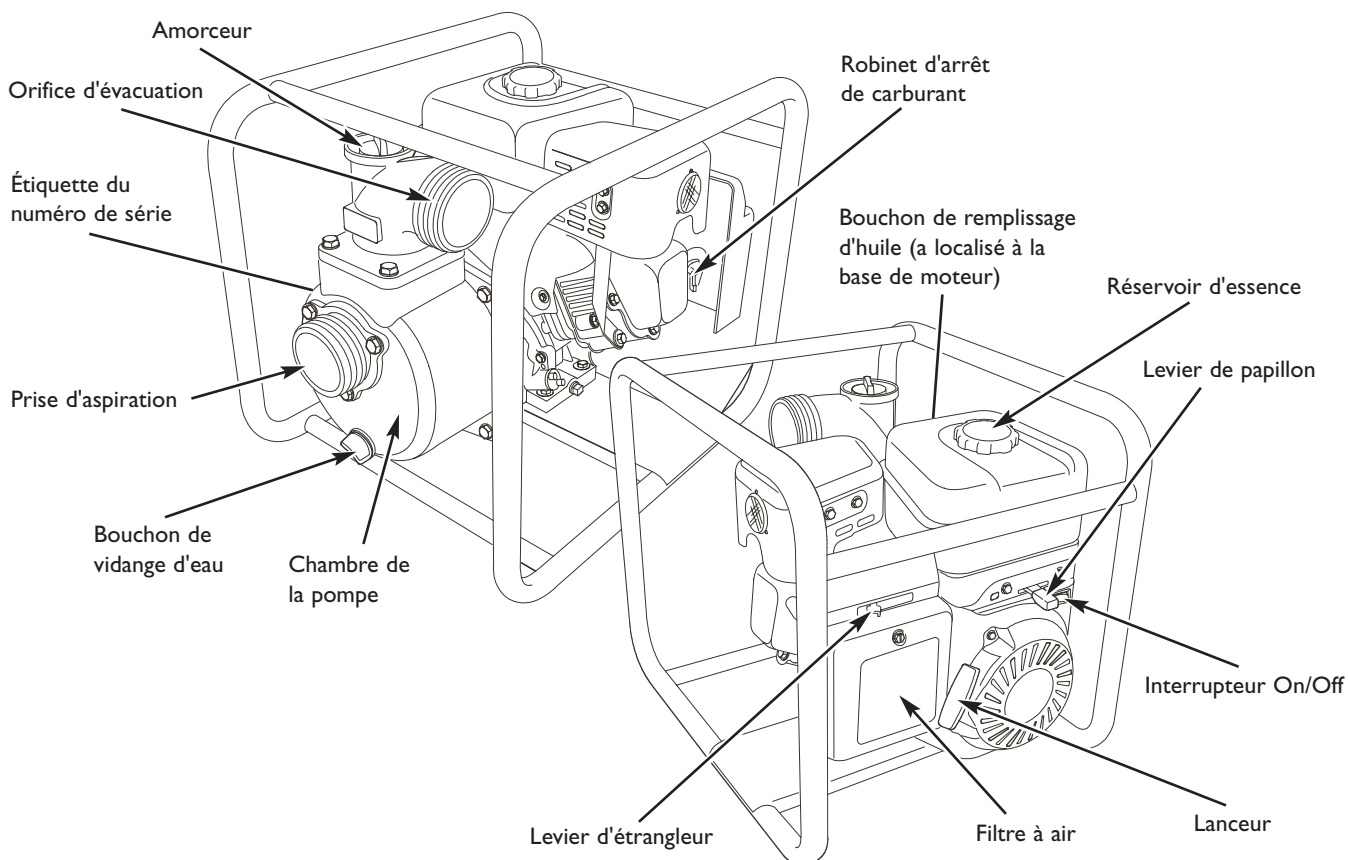
Robinet d'arrêt de carburant - Utilisé pour alimenter le moteur en essence ou pour couper l'alimentation en essence du moteur.

CONNAÎTRE VOTRE POMPE À EAU - MODÈLE 073003



Lisez ce manuel d'utilisation et les règles de sécurité avant d'utiliser votre pompe à eau.

Comparez les illustrations à votre pompe à eau pour vous familiariser avec l'emplacement des diverses commandes et réglages. Conservez ce manuel pour référence future.



Amorceur - Remplissez la pompe d'eau ici pour amorcer la pompe avant de la faire démarrer.

Bouchon de remplissage - Vérifiez le niveau d'huile et videz l'huile à moteur ici.

Bouchon de vidange d'eau - Retirez-le pour vidanger l'eau de la pompe et rincez les composants internes avec de l'eau claire.

Chambre de la pompe - Assurez-vous qu'elle est pleine d'eau avant de lancer le moteur.

Étiquette du numéro de série - Indique le numéro de modèle, de révision et de série de la pompe à eau. Veuillez avoir ces renseignements sous la main lors d'appel de service.

Filtre à air — Protège le moteur en filtrant la poussière et les débris dans la prise d'air.

information de moteur (pas montré) - Affranchi sur la couverture de soupape. Indique le numéro de modèle, de type et tailler de la moteur. Veuillez avoir ces renseignements sous la main lors d'appel de service.

Interrupteur ON/OFF - Réglez cet interrupteur sur "On" avant d'utiliser le lanceur. Réglez l'interrupteur sur "Off" pour arrêter le moteur.

Lanceur - Utilisé pour le démarrage du moteur.

Levier d'étrangleur - Utilisé lors du démarrage à froid d'un moteur.

Levier de papillon - Utilisé pour régler la vitesse du moteur afin de contrôler le débit de la pompe.

Orifice d'évacuation - Branchez le boyau d'évacuation à cet endroit.

Panier-filtre (pas montré) - Utilisé pour limiter le passage de matériels abrasifs dans la pompe.

Prise d'aspiration - Branchez le boyau d'aspiration renforcé ici.

Réservoir d'essence - Capacité de un (1) gallon américain (3,8 l).

Robinet d'arrêt de carburant - Utilisé pour alimenter le moteur en essence ou pour couper l'alimentation en essence du moteur.



ASSEMBLAGE

Votre pompe à eau doit être assemblée et vous pourrez l'utiliser après l'avoir correctement remplie d'huile et d'essence recommandées.

Si vous avez des questions au sujet de l'assemblage de votre pompe à eau, veuillez appeler la ligne d'aide au **1-800-743-4115**. Si vous téléphonez pour obtenir de l'aide, veuillez avoir les renseignements de l'étiquette du numéro de série suivants sous la main : numéro de modèle, de révision et de série. Consultez la section "Familiarisez-vous avec la pompe à eau" pour déterminer son emplacement.

Déballage de la pompe à eau

1. Sortez tous les composants de la boîte d'expédition à l'exception de la pompe à eau.
2. Ouvrez la boîte d'expédition en coupant tous les coins de la boîte du haut vers le bas.

Contenu de la boîte

Voici ce que vous trouverez dans la boîte :

- Pompe à eau
- Bouteille d'huile
- Sac de pièces (comprenant ce qui suit):
 - Ce manuel d'utilisation
 - Panier-filtre et barbelure
 - Barbelure de boyau (2)
 - Manchon de barbelure (2)
 - Joint d'étanchéité en caoutchouc (2)
 - Bride de serrage (3)
 - Ensemble anti-vibrations (comprenant 4 de chaque) (Modèle 073002 & 073003 seulement):
 - Tampon anti-vibrations
 - Boulon
 - Rondelle
 - Contre-écrou
 - Feuillet d'instructions

Si l'une des pièces mentionnées est manquante ou endommagée, appelez la ligne d'aide au **1-800-743-4115**.

Fixation des tampons anti-vibrations

Pour les modèles 073002 et 073003, pour installer les tampons anti-vibrations, vous aurez besoin des outils suivants:

- Clé de 10 mm
- Clé à douilles avec douille de 10 mm

Fixez les tampons anti-vibrations sur la pompe à eau de la façon illustrée sur le feuillet d'instructions inclus avec l'ensemble anti-vibrations.

IMPORTANT: Vous devez fixer les tampons anti-vibrations avant d'ajouter de l'huile ou de l'essence.

Ajout de l'huile à moteur

MISE EN GARDE! Toute tentative de démarrer le moteur sans qu'il ait été rempli avec l'huile recommandée risque d'entraîner un bris de moteur.

1. Placez la pompe à eau sur une surface plane.
2. Nettoyez la surface autour de l'orifice de remplissage d'huile et enlevez le bouchon de remplissage d'huile jaune.
3. À l'aide d'un entonnoir pour huile (optionnel), versez lentement le contenu complet de la bouteille d'huile (18 oz) fournie dans l'orifice de remplissage.
4. Remplacez le bouchon de remplissage d'huile et serrez le solidement.

REMARQUE: Consultez la section "Huile" à la page 43 au sujet des recommandations relatives à l'huile.

Ajout de l'essence

REMARQUE: Le fonctionnement avec de l'essence est certifié avec ce moteur à essence. Dispositif antipollution de l'échappement : EM (Modifications de moteur).

AVERTISSEMENT



L'essence et ses vapeurs sont extrêmement inflammables et explosives.



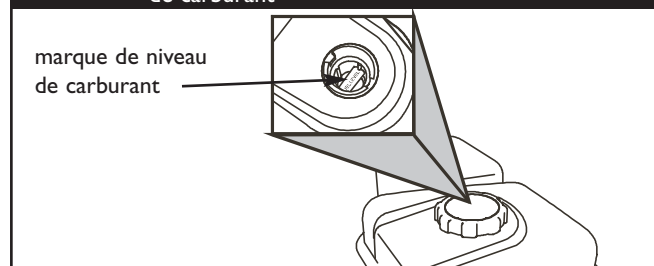
Un incendie ou une explosion peut causer des brûlures graves ou la mort.

LORS DE L'AJOUT D'ESSENCE

- Éteignez la pompe à eau et laissez-la refroidir au moins 2 minutes avant de retirer le bouchon à essence. Dévissez lentement le bouchon pour libérer la pression dans le réservoir.
- Faites le plein du réservoir à l'extérieur.
- NE remplissez PAS trop le réservoir. Laissez de l'espace pour l'expansion de l'essence.
- Gardez l'essence loin des étincelles, des flammes nues, des veilleuses, de la chaleur et des autres sources d'allumage.
- N'allumez PAS de cigarette ou NE fumez PAS.

1. Utilisez de l'essence SANS PLOMB ordinaire propre et fraîche avec un indice d'octane d'au moins 85. N'utilisez PAS de carburant qui contient du Méthanol. NE mélangez PAS l'huile avec l'essence.
2. Nettoyez la partie autour du bouchon du réservoir d'essence, enlevez le bouchon à essence.
3. Ajoutez lentement de l'essence sans plomb ordinaire dans le réservoir d'essence. Remplissez jusqu'à la marque de niveau de carburant (Figure 21). Faites attention pour ne pas trop remplir.

Figure 21 - Ajouter de l'essence jusqu'à la marque de niveau de carburant



4. Remettez le bouchon à essence et essuyez l'essence déversée.

MISE EN GARDE! Certains carburants, appelés carburant oxygéné ou à formule modifiée, sont des carburants mélangés avec de l'alcool ou de l'éther. Une trop grande quantité de ces mélanges peut endommager le système d'alimentation ou causer des problèmes de performance. Si des symptômes de fonctionnement indésirables se produisent, utilisez un carburant avec un pourcentage moins élevé d'alcool ou d'éther.

Un carburant frais prévient la formation de dépôts de gomme dans le système d'alimentation ou sur les pièces essentielles du carburateur. Achetez une quantité d'essence qui peut être utilisée dans les 30 jours.

Fixation du boyau d'aspiration

Vous aurez besoin de l'outil suivant pour fixer les boyaux à la pompe à eau:

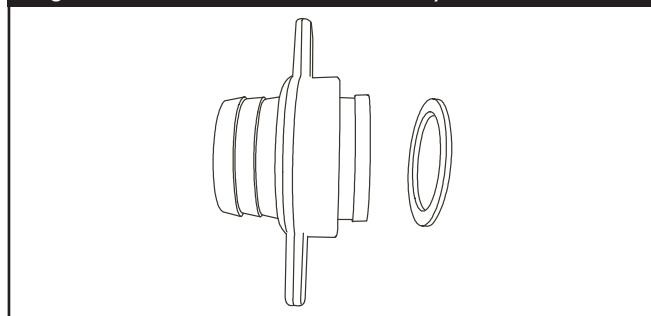
- Tournevis standard de 1/4" ou 6 mm

Branchement du boyau d'aspiration à la pompe

Utilisez un boyau disponible sur le marché. Le boyau d'aspiration doit être renforcé et posséder une paroi semi-rigide ou faite de matériau tressé. N'utilisez PAS un boyau dont le diamètre interne est plus petit que la taille de l'orifice d'aspiration de la pompe.

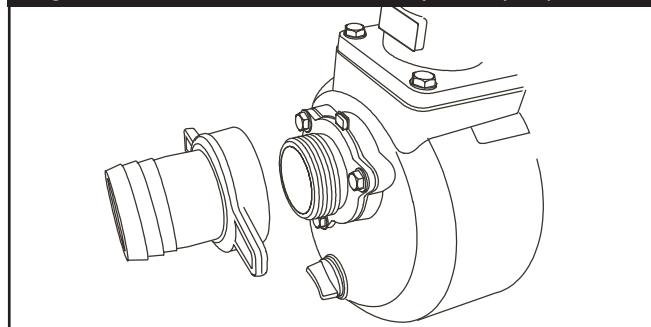
1. Glissez le manchon de barbelure sur la barbelure. Insérez un joint d'étanchéité en caoutchouc à l'extrémité du manchon de barbelure (Figure 22).

Figure 22 - Assembler la barbelure de boyau



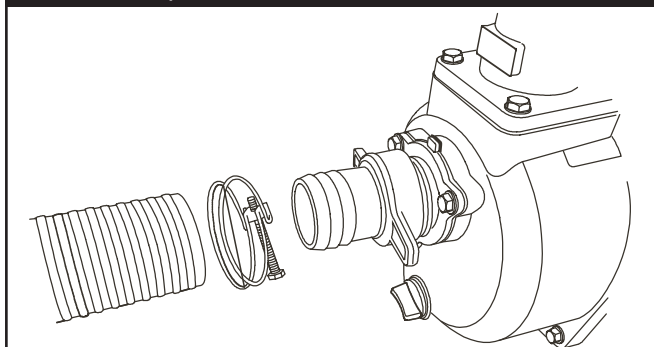
2. Vissez le manchon de boyau sur la pompe en sens horaire jusqu'à ce que la barbelure soit fixée solidement (Figure 23).

Figure 23 - Brancher la barbelure de boyau à la pompe



3. Glissez la bride de serrage sur l'extrémité du boyau. Glissez le boyau d'aspiration sur la barbelure (Figure 24). Serrez la bride de serrage à l'aide d'un tournevis régulier de 1/4 po (6 mm).

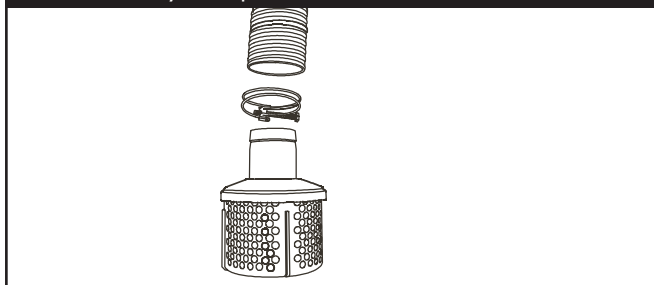
Figure 24 - Brancher le boyau d'aspiration à la barbelure de boyau



Fixation du boyau d'aspiration au panier-filtre

Glissez la bride de serrage sur le boyau. Fixez l'extrémité ouverte du boyau d'aspiration à la barbelure du panier-filtre (Figure 25). Serrez la bride de serrage à l'aide d'un tournevis régulier de 1/4 po (6 mm).

Figure 25 - Fixer le boyau d'aspiration à la barbelure de boyau du panier-filtre

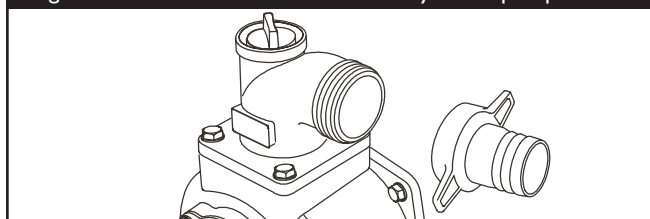


Branchement du boyau d'évacuation (facultatif)

Si désiré, utilisez un boyau disponible sur le marché. N'utilisez PAS un boyau dont le diamètre interne est plus petit que la taille de l'orifice d'évacuation de la pompe.

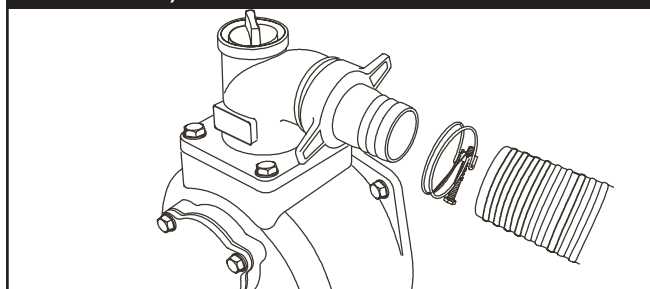
1. Glissez le manchon de barbelure sur la barbelure. Insérez un joint d'étanchéité en caoutchouc à l'extrémité du manchon de barbelure (voir la Figure 22, plus haut).
2. Vissez le manchon de boyau sur la pompe en sens horaire jusqu'à ce que la barbelure soit fixée solidement (Figure 26).

Figure 26 - Brancher la barbelure de boyau à la pompe



3. Glissez la bride de serrage sur l'extrémité du boyau d'évacuation. Glissez le boyau d'évacuation sur la barbelure (Figure 27). Serrez la bride de serrage à l'aide d'un tournevis régulier de 1/4 po (6 mm).

Figure 27 - Brancher le boyau d'évacuation à la barbelure de boyau





UTILISATION DE LA POMPE À EAU

Pour un fonctionnement sécuritaire

Dégagements et mouvement de l'air

AVERTISSEMENT



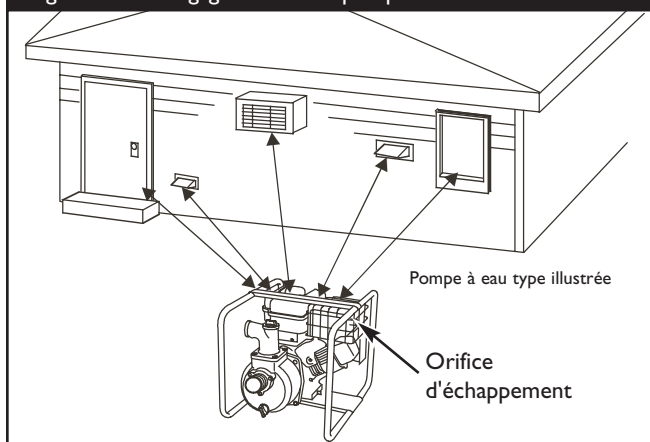
Une pompe à eau en marche dégage du monoxyde de carbone, un gaz inodore, incolore et toxique. L'inhalation du monoxyde de carbone peut causer des nausées, l'évanouissement ou la mort.

- Faites fonctionner la pompe à eau **UNIQUEMENT** à l'extérieur.
- Assurez-vous que les gaz d'échappement ne puissent entrer dans un espace restreint par une fenêtre, une porte, une prise d'aération ou une autre ouverture.
- **NE** faites **PAS** fonctionner la pompe à eau à l'intérieur d'un bâtiment, dans un espace restreint ou d'un lieu clos, dans des garages ou d'autres emplacements similaires, même si les fenêtres et les portes sont ouvertes.

La pompe à eau ne doit pas se trouver à moins de 1,5 m (5 pi) de toute structure comportant des murs combustibles ou d'autres matériaux combustibles. Laissez au moins 1 m (3 pi) d'espace libre tout autour de la pompe à eau, y compris au-dessus, pour assurer un refroidissement adéquat et un espace suffisant pour le refroidissement, l'entretien et les réparations.

N'installez **PAS** la pompe à eau dans un endroit où les gaz d'échappement pourraient s'accumuler et pénétrer ou être aspirés dans un édifice qui pourrait être occupé. Assurez-vous que les gaz d'échappement ne puissent entrer par une fenêtre, une porte, une prise d'aération ou une autre ouverture qui pourrait leur permettre de s'accumuler dans un espace restreint (Figure 28). Tenez aussi compte des vents dominants et des courants d'air au moment de choisir l'endroit où vous installerez la pompe à eau.

Figure 28 — Dégagement de la pompe à eau



Qu'est-ce que la "hauteur"?

La hauteur fait référence à la hauteur d'une colonne d'eau qui peut être évacuée de la pompe.

La hauteur de succion est la distance verticale entre le centre de la pompe et la surface du liquide sur le côté de succion de la pompe. Peut être aussi référé à comme "l'ascenseur de succion". La pression atmosphérique de 14,7 livres par pouce carré à l'ascenseur de tête de succion de limites de niveau de la mer à moins qu'approximativement 26 pieds pour n'importe quelle pompe.

La hauteur de décharge est la distance verticale entre le port de décharge de la pompe et le point de décharge, qui est la surface liquide si le tuyau est submergé ou pompant dans le fond d'un réservoir.

La hauteur totale est la somme de la valeur de tête de succion plus la valeur de tête de décharge.

À mesure que la hauteur de pompage de l'eau augmente, le débit de pompage diminue. La longueur, le type et la taille des boyaux d'aspiration et d'évacuation peuvent aussi modifier grandement le débit de pompage.

Est donc important que le fonctionnement de l'aspiration représente la partie la plus courte du pompage total. Cela réduira la durée d'amorçage et améliorera la performance de la pompe en augmentant la hauteur d'évacuation.

La hauteur d'aspiration devrait être d'un maximum de 25 pieds et la hauteur d'évacuation d'un maximum de 81 pieds. La hauteur totale ne peut dépasser 106 pieds (Figure 29).

Déplacement de la pompe vers un emplacement sécuritaire

Pour une meilleure performance de la pompe, placez-la sur une surface plane le plus près possible de l'eau à pomper. Fixez la pompe à eau afin d'éviter un renversement. Utilisez des boyaux qui ne sont pas plus longs que nécessaire.

IMPORTANT: Dirigez l'extrémité ouverte du boyau d'évacuation loin de la maison, d'appareils électriques et de tout objet ne devant pas être mouillé.

AVERTISSEMENT



L'essence et ses vapeurs sont extrêmement inflammables et explosives.

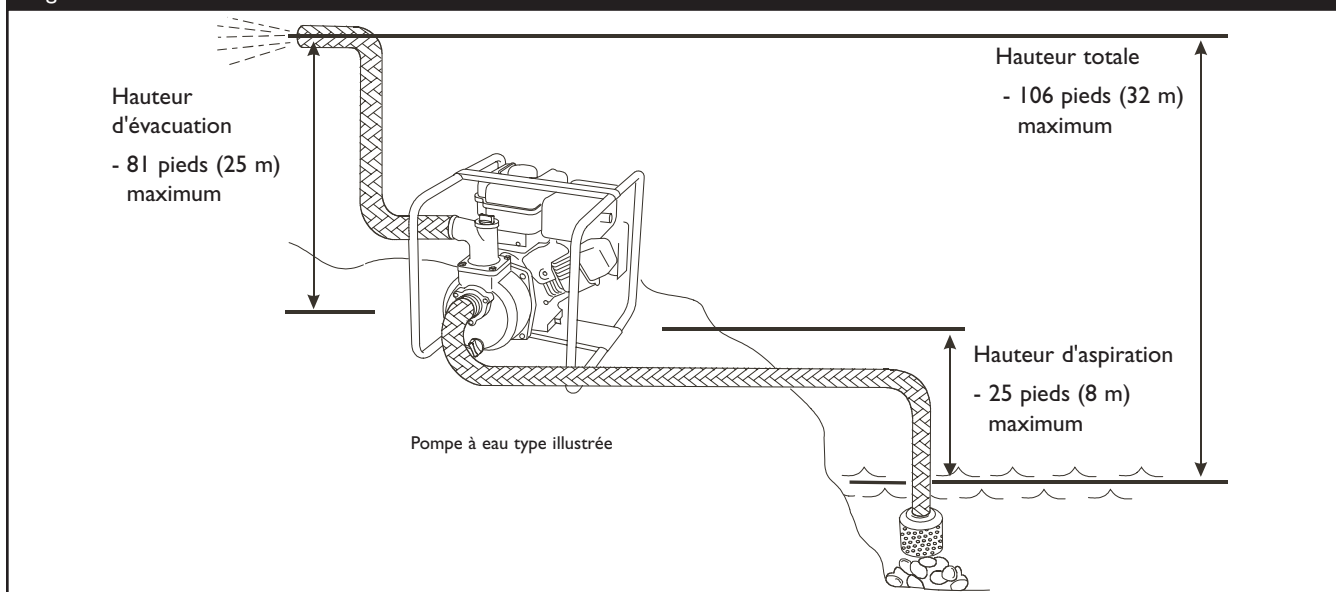


Un incendie ou une explosion peut causer des brûlures graves ou la mort.

LORS DU FONCTIONNEMENT DE L'ÉQUIPEMENT

- Cette pompe à eau n'est pas conçue pour être utilisée dans de l'équipement mobile ou les applications marines.
- **NE** penchez **PAS** le moteur ou l'équipement à un angle où l'essence peut se déverser.
- Fixez la pompe à eau. Les charges contenues dans les boyaux peuvent entraîner un renversement.

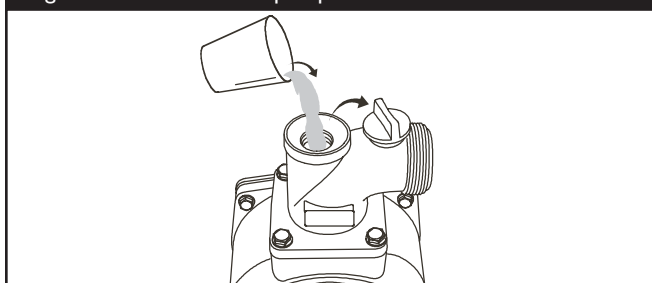
Figure 29 — Hauteur



Amorçage de la pompe à eau

1. Enlevez le bouchon fixé sur le dessus de la pompe (Figure 30).

Figure 30 — Amorcer la pompe à eau



2. Remplissez la pompe avec de l'eau claire jusqu'à la partie supérieure de l'orifice d'évacuation (Figure 30).
3. Remplacez le bouchon de la pompe.

MISE EN GARDE

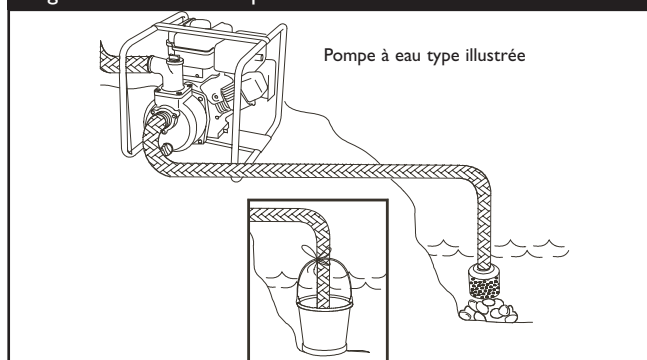
Le traitement inadéquat de la pompe à eau peut l'endommager et réduire sa durée de vie utile.

- Assurez-vous que la chambre de la pompe est pleine d'eau avant de lancer le moteur. Ne faites JAMAIS fonctionner la pompe sans l'amorcer.

Localisation du panier-filtre dans la source d'eau

Placez le panier-filtre dans l'eau à pomper. Le panier doit être complètement immergé (Figure 31).

Figure 31 — Placer le panier-filtre dans l'eau



MISE EN GARDE

Le traitement inadéquat de la pompe à eau peut l'endommager et réduire sa durée de vie utile.

- Ne faites JAMAIS fonctionner la pompe sans panier-filtre à l'extrémité du boyau d'aspiration
- Ne placez pas le panier-filtre dans le sable ou la vase, dans un seau ou sur des pierres.
- NE faites PAS fonctionner la pompe à eau lorsqu'il n'y plus d'eau car cela risquerait d'endommager les joints d'étanchéité.

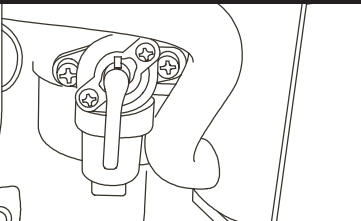
Démarrage de la pompe à eau

Suivez les directives de démarrage suivantes:

1. Assurez-vous que l'unité est sur une surface plane et que la chambre de la pompe est amorcée.
2. Tournez la vanne de combustible blanche à la position "On" (Figure 32). La poignée de la vanne de combustible sera à la verticale (pointant vers le sol).

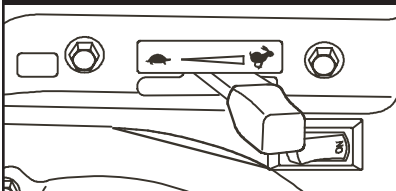
Figure 32 — Vanne de combustible

La vanne de combustible est illustrée en position "On"



3. Poussez l'interrupteur ON/OFF sur "On" (Figure 33).

Figure 33 — Interrupteur ON/OFF et levier du régime du moteur

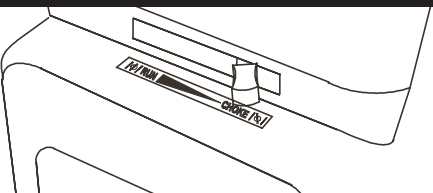


L'interrupteur est illustré en position "On"
Le levier est illustré en position "Fast"

4. Placez le levier du régime du moteur à la position "Fast" (Figure 33).
5. Placez le levier d'étrangleur à la position "Choke" (Figure 34).

Figure 34 — Levier d'étrangleur

Le levier d'étrangleur est illustré à la position "Choke"



6. Prenez la poignée du lanceur et tirez-la jusqu'à ce que vous sentiez une légère résistance. Tirez alors rapidement sur la poignée pour dépasser la résistance de la compression, empêcher les effets de recul et démarrer le moteur.

⚠ AVERTISSEMENT



Une rétroaction rapide de la corde du démarreur (effet de recul) tirera votre main et votre bras vers le moteur plus rapidement que vous ne pouvez relâcher la corde. Vous risquez ainsi de subir des fractures, des ecchymoses ou des entorses.

- Lors du démarrage du moteur, tirez lentement sur la corde jusqu'à ce que vous sentiez une résistance et tirez alors rapidement afin d'éviter un effet de recul.

IMPORTANT: Si le moteur se noie, placez le levier d'étrangleur en position "Run" et tirez plusieurs fois sur la poignée jusqu'à ce que le moteur démarre.

7. Déplacez le levier d'étrangleur en position "Run" (|↑|) un peu à la fois durant quelques secondes quand il fait chaud ou durant quelques minutes quand il fait froid. Laissez le moteur tourner en douceur avant chaque changement. Faites fonctionner la pompe avec l'étrangleur en position "Run".

IMPORTANT: Il faudra peut-être quelques minutes avant que la pompe à eau ne commence à pomper de l'eau.

⚠ AVERTISSEMENT



Les moteurs en marche produisent de la chaleur. La température du silencieux et des surfaces environnantes peut atteindre et dépasser 65°C (150°F).



Un contact avec ces surfaces peut causer des brûlures graves. Les débris inflammables, tels que feuilles, herbes, broussailles, peuvent s'enflammer.

- NE touchez PAS aux pièces chaudes et évitez le contact avec les gaz d'échappement.
- Laissez refroidir l'équipement avant d'y toucher.
- La pompe à eau ne doit pas se trouver à moins de 1,5 m (5 pi) de toute structure comportant des murs combustibles ou d'autres matériaux combustibles.
- Laissez un dégagement d'au moins 1 m (3 pi) tout autour de la pompe à eau pour le refroidissement, l'entretien et les réparations.
- La chaleur d'échappement réfléchiée peut endommager le réservoir d'essence et causer un incendie.
- Le Code of Federal Regulation (CFR) Title 36 Parks, Forests, and Public Property exige que de l'équipement alimenté par un moteur à combustion interne soit doté d'un pare-étincelles et constamment maintenu en bon état fonctionnement, conformément à la norme de service 5100-1C de la USDA Forest ou à une révision de celle-ci. Dans l'État de la Californie, un pare-étincelles est requis en vertu de la section 4442 du California Public Resources Code. Il se peut que d'autres États aient des lois semblables.

Le débit de la pompe est contrôlé en réglant le régime du moteur. Déplacer le levier du régime du moteur vers la position "Fast" augmentera le débit de la pompe et le déplacer vers la position "Slow" diminuera le débit de la pompe.

Arrêt de la pompe à eau

1. Placez le levier du régime du moteur à la position "Slow" (☛) (Figure 33).
2. Poussez l'interrupteur ON/OFF sur la position "Off" (Figure 33).
3. Tournez la vanne de combustible blanche à la position "Off" (Figure 32).

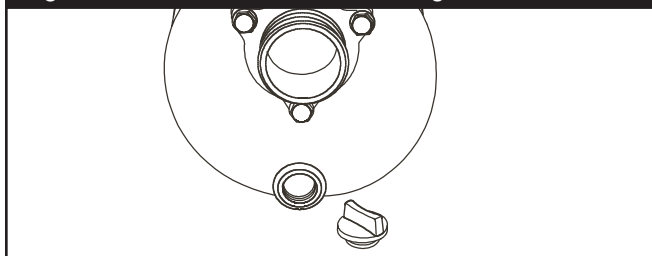
MISE EN GARDE

N'arrêtez PAS le moteur en plaçant le levier d'étrangleur à la position "Choke". Des explosions dans le silencieux, un incendie ou des dommages au moteur peuvent survenir.

Vidange et rinçage de la pompe à eau

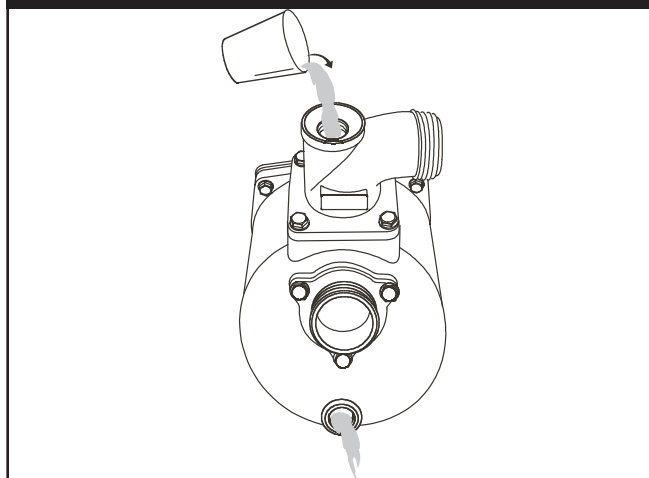
1. Débranchez et vidangez les boyaux d'aspiration et d'évacuation.
2. Enlevez le bouchon de vidange au bas de la pompe (Figure 35).

Figure 35 — Retirer le bouchon de vidange



3. Retirez le bouchon sur le dessus de la pompe et rincez les composants internes de la pompe avec de l'eau claire (Figure 36).

Figure 36 — Retirer le bouchon sur le dessus de la pompe et rincer



4. Revissez les deux bouchons et serrez-les à la main.



RENSEIGNEMENTS TECHNIQUES SUR LE MOTEUR

Ces pompes à eau sont actionnées par un moteur à cylindre unique, soupape en tête, refroidi à l'air et à faibles émissions.

Cette pompe à eau est homologuée dans l'état de la Californie par le California Air Resources Board. Selon cet organisme, elle satisfera les normes relatives aux émissions durant 250 heures d'utilisation. Ce type d'homologation ne donne à l'acheteur, au propriétaire ou à l'utilisateur aucune garantie supplémentaire en ce qui a trait à la performance ou à la durée de vie du moteur. Le moteur est garanti conformément à l'énoncé de garantie plus loin dans ce manuel.

Puissance nominale

Les puissances nominales d'un modèle de moteur sont initialement établies en commençant par le code SAE (Society of Automotive Engineers) J1940 (Small Engine Power & Torque Rating Procedure) (Revision 2002-05). Étant donné la vaste gamme de produits sur lesquels nos moteurs sont installés, ainsi que la variété de problèmes environnementaux reliés au fonctionnement de l'équipement, il est possible que le moteur que vous avez acheté ne développe pas la puissance nominale indiquée lorsqu'il est utilisé pour entraîner un appareil (puissance d'utilisation réelle). La différence peut être liée à divers facteurs incluant, sans s'y limiter, les suivants : différences dans l'altitude, la température, la pression barométrique, l'humidité, l'essence, la lubrification du moteur ou la vitesse maximum régulée du moteur, variations individuelles d'un moteur à l'autre, conception spécifique de l'appareil entraîné, façon dont le moteur est utilisé, rodage du moteur pour réduire la friction et nettoyer les chambres de combustion, ajustement des soupapes et du carburateur et autres facteurs. Les puissances nominales peuvent également être réglées selon des comparaisons avec d'autres moteurs semblables employés à des fins similaires. Il est donc possible qu'elles ne correspondent pas aux valeurs obtenues à l'aide des codes précédents.

CARACTÉRISTIQUES DU PRODUIT

Modèle 073001

Caractéristiques de la pompe à eau

Diamètre de l'orifice d'aspiration	2 po (50 mm)
Diamètre de l'orifice d'évacuation	2 po (50 mm)
Hauteur totale	106 pi (32 m)
Hauteur maximale	
Hauteur géométrique d'aspiration	25 pi (8 m)
Hauteur géométrique d'évacuation	81 pi (25 m)
Capacité maximale d'évacuation	155 gallons américains (586 l) par minute
Poids à l'expédition	127 lb (57,6 kg)

Caractéristiques du moteur

Puissance nominale	5,5 à 3 600 tr/m
Alésage	2,69 po (68 mm)
Course de piston	2,20 po (56 mm)
Cylindrée	12,48 po (206 cc)
Bougie d'allumage	
Type:	Champion RC12YC ou l'équivalent
Définir l'écartement à:	0,030 po (0,76 mm)
Distance d'éclatement:	0,010 à 0,014 po (0,25 à 0,36 mm)
Jeu des soupapes avec ressorts de soupape installés et piston 6 mm (1/4 po) passé le point mort supérieur du temps de compression (à vérifier lorsque le moteur est froid).	
Admission	0,004 à 0,006 po (0,10 à 0,15 mm)
Échappement	0,009 à 0,011 po (0,23 à 0,28 mm)
Capacité du réservoir d'essence	1 gallon américain (3,8 l)
Capacité du carter d'huile	20 onces (0,6 litres)
Type d'huile:	
Plus de 40° F (4° C)	SAE 30
Moins de 40° F (4° C)	SAE 5W-30 ou 10W-30

REMARQUE: Pour un meilleur fonctionnement, la puissance utile ne devrait pas dépasser 85 % de la puissance nominale. La puissance du moteur sera réduite de 3,5 % pour chaque 300 mètres (1000 pieds) au-dessus du niveau de la mer, et de 1 % pour chaque 5,6° C (10° F) au-dessus de 25° C (77°). Il fonctionnera de façon satisfaisante jusqu'à un angle maximum de 15°.



Modèle 073002

Caractéristiques de la pompe à eau

Diamètre de l'orifice d'aspiration 2 po (50 mm)
Diamètre de l'orifice d'évacuation 2 po (50 mm)
Hauteur totale 106 pi (32 m)
Hauteur maximale
 Hauteur géométrique d'aspiration 25 pi (8 m)
 Hauteur géométrique d'évacuation 81 pi (25 m)
Capacité maximale d'évacuation 155 gallons américains
 (586 l) par minute
Poids à l'expédition 127 lb (57,6 kg)

Caractéristiques du moteur

Puissance nominale 5,5 à 3 600 tr/m
Alésage 2,69 po (68 mm)
Course de piston 2,20 po (56 mm)
Cylindrée 12,48 po (206 cc)
Bougie d'allumage
 Type: Champion RC12YC ou l'équivalent
 Définir l'écartement à: 0,030 po (0,76 mm)
Distance d'éclatement: 0,010 à 0,014 po (0,25 à 0,36 mm)
Jeu des soupapes avec ressorts de soupape installés et piston
6 mm (1/4 po) passé le point mort supérieur du temps de
compression (à vérifier lorsque le moteur est froid).
Admission 0,004 à 0,006 po (0,10 à 0,15 mm)
Échappement 0,009 à 0,011 po (0,23 à 0,28 mm)
Capacité du réservoir d'essence 1 gallon américain (3,8 l)
Capacité du carter d'huile 20 onces (0,6 litres)
Type d'huile:
 Plus de 40° F (4° C) SAE 30
 Moins de 40° F (4° C) SAE 5W-30 ou 10W-30

REMARQUE : Pour un meilleur fonctionnement, la puissance utile ne devrait pas dépasser 85 % de la puissance nominale. La puissance du moteur sera réduite de 3,5 % pour chaque 300 mètres (1000 pieds) au-dessus du niveau de la mer, et de 1 % pour chaque 5,6° C (10° F) au-dessus de 25° C (77°). Il fonctionnera de façon satisfaisante jusqu'à un angle maximum de 15°.

Modèle 073003

Caractéristiques de la pompe à eau

Diamètre de l'orifice d'aspiration 3 po (76 mm)
Diamètre de l'orifice d'évacuation 3 po (76 mm)
Hauteur totale 106 pi (32 m)
Hauteur maximale
 Hauteur géométrique d'aspiration 25 pi (8 m)
 Hauteur géométrique d'évacuation 81 pi (25 m)
Capacité maximale d'évacuation 240 gallons américains
 (908 l) par minute
Poids à l'expédition 127 lb (57,6 kg)

Caractéristiques du moteur

Puissance nominale 6,5 à 3 600 tr/m
Alésage 2,69 po (68 mm)
Course de piston 2,20 po (56 mm)
Cylindrée 12,48 po (206 cc)
Bougie d'allumage
 Type: Champion RC12YC ou l'équivalent
 Définir l'écartement à: 0,030 po (0,76 mm)
Distance d'éclatement: 0,010 à 0,014 po (0,25 à 0,36 mm)
Jeu des soupapes avec ressorts de soupape installés et piston
6 mm (1/4 po) passé le point mort supérieur du temps de
compression (à vérifier lorsque le moteur est froid).
Admission 0,004 à 0,006 po (0,10 à 0,15 mm)
Échappement 0,009 à 0,011 po (0,23 à 0,28 mm)
Capacité du réservoir d'essence 1 gallon américain (3,8 l)
Capacité du carter d'huile 20 onces (0,6 litres)
Type d'huile:
 Plus de 40° F (4° C) SAE 30
 Moins de 40° F (4° C) SAE 5W-30 ou 10W-30

REMARQUE: Pour un meilleur fonctionnement, la puissance utile ne devrait pas dépasser 85 % de la puissance nominale. La puissance du moteur sera réduite de 3,5 % pour chaque 300 mètres (1000 pieds) au-dessus du niveau de la mer, et de 1 % pour chaque 5,6° C (10° F) au-dessus de 25° C (77°). Il fonctionnera de façon satisfaisante jusqu'à un angle maximum de 15°.



CALENDRIER D'ENTRETIEN

Respectez le calendrier d'entretien du nettoyeur selon le nombre d'heures de fonctionnement ou le temps écoulé, le premier des deux prévalant. Un entretien plus fréquent est requis lors d'une utilisation dans des conditions défavorables telles qu'indiquées ci-dessous.

CALENDRIER D'ENTRETIEN INSCRIVEZ LES DATES AU FUR ET À MESURE QUE VOUS EFFECTUEZ L'ENTRETIEN RÉGULIER	DATES D'ENTRETIEN				DATES D'ENTRETIEN			
	TÂCHE D'ENTRETIEN	Avant chaque utilisation	Aux 25 heures ou 1 fois l'an	Aux 50 heures ou 1 fois l'an	Aux 100 heures ou 1 fois l'an			
Nettoyer les débris	X							
Vérifier le niveau d'huile	X							
Changer l'huile du moteur			X ¹					
Faire l'entretien du filtre à air		X ²						
Faire l'entretien de la bougie d'allumage				X				
Faire l'entretien du pare-étincelles			X					
Nettoyer le système de refroidissement				X ²				
Préparer pour l'entreposage	Si le nettoyeur ne sera pas utilisé durant plus de 30 jours.							

¹ Changez l'huile après les cinq (5) premières heures de fonctionnement et par la suite aux 50 heures de fonctionnement ou une fois l'an (selon le premier de ces événements). Changez l'huile plus souvent si vous utilisez la pompe dans un milieu sale ou poussiéreux.

² Remplacez les pièces plus fréquemment si vous utilisez l'appareil dans un milieu sale ou poussiéreux.

Recommandations générales

Un entretien régulier améliorera la performance et prolongera la durée de vie de la pompe à eau. Consultez un détaillant autorisé Briggs & Stratton pour l'entretien.

La garantie de la pompe à eau ne couvre pas les éléments soumis à l'abus ou à la négligence de l'opérateur. Pour qu'elle soit entièrement valide, l'opérateur doit entretenir la pompe à eau conformément aux instructions contenues dans ce manuel.

Certains ajustements devront être faits périodiquement pour assurer un entretien adéquat de la pompe à eau.

Il faut effectuer toutes les opérations d'entretien et les réglages au moins une fois par saison. Suivez les instructions du " Calendrier d'entretien " ci-dessus.

REMARQUE: Une fois par année, vous devez nettoyer ou remplacer la bougie d'allumage et remplacer le filtre à air. Une nouvelle bougie d'allumage et un filtre à air propre permettent d'assurer que le mélange essence-air est adéquat en plus de contribuer au meilleur fonctionnement de votre moteur et d'augmenter sa durée de vie.

Contrôle des émissions

L'entretien, le remplacement ou la réparation des dispositifs et systèmes antipollution peuvent être effectués par un établissement de réparation de moteurs hors route ou par une personne qualifiée. Voir la garantie du dispositif antipollution, plus loin dans ce manuel.

Entretien

L'entretien consiste à garder la pompe à eau propre. Entrez la pompe à eau dans un environnement propre et sec où elle ne sera pas exposée à une poussière, saleté, humidité excessive ni à des vapeurs corrosives. Les fentes de refroidissement du moteur de la pompe à eau ne doivent pas être obstruées par de la saleté, des feuilles ou d'autres corps étrangers.

REMARQUE: N'utilisez PAS de boyau d'arrosage pour nettoyer le moteur de la pompe à eau. L'eau peut entrer dans le système d'alimentation et causer des problèmes.

Nettoyage

À tous les jours ou avant de l'utiliser, regardez autour ou sous la pompe s'il y a des signes de fuites d'huile ou d'essence. Nettoyez les débris accumulés à l'intérieur et à l'extérieur de la pompe à eau. Gardez toujours la tringlerie, le ressort et les autres commandes du moteur propres. Gardez la zone autour et derrière le silencieux libre de débris combustibles.

Les parties du moteur doivent être gardées propres afin de réduire le risque de surchauffe et d'inflammation des débris accumulés.

- Utilisez un linge humide pour nettoyer les surfaces extérieures.
- Utilisez une brosse à soies douces pour détacher les accumulations de saletés ou d'huile.
- Utilisez un aspirateur pour ramasser les saletés et débris.

- Utilisez une faible pression d'air (25 psi au maximum) pour souffler les saletés. Inspectez les fentes de refroidissement et les orifices de la pompe à eau. Ces ouvertures doivent demeurer propres et non obstruées.

Enlevez les dépôts de vase et de boue dans le corps de la pompe :

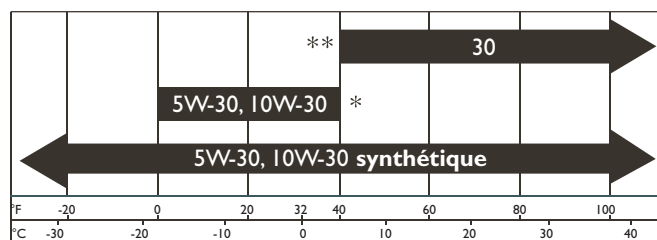
- Dévissez le bouchon de l'amorceur et retirez le bouchon de vidange.
- Rincez les composants internes de la pompe avec de l'eau propre.

Huile

Recommandations relatives à l'huile

REMARQUE: N'ajoutez au carter de moteur que de l'huile détergente de haute qualité ayant une des cotes de service API suivantes : SF, SG, SH, SJ ou plus. N'utilisez PAS d'additifs spéciaux.

1. Choisissez la viscosité de l'huile en fonction du tableau suivant:



PLAGE DE TEMPÉRATURE DE DÉMARRAGE PRÉVUE AVANT LE PROCHAIN CHANGEMENT D'HUILE

* L'utilisation d'huiles à viscosité multiple (5W-30, 10W-30, etc.) alors que la température est supérieure à 4°C (40°F) entraînera une consommation d'huile plus élevée que la normale. Vérifiez l'huile plus souvent lorsque vous utilisez une huile à viscosité multiple.

** L'utilisation d'huile SAE 30 à une température inférieure à 4°C (40°F) pourrait rendre le démarrage difficile et causer des dommages à l'alsage du moteur en raison d'une lubrification inadéquate.

REMARQUE : L'huile synthétique respectant la marque d'homologation ILSAC GF-2, API et portant le symbole d'entretien API avec la mention "SJ/CF (économie d'énergie)" ou plus, est une huile acceptable pour toutes les températures. L'utilisation d'huile synthétique ne modifie pas les intervalles de changement d'huile.

Vérification du niveau d'huile

Il est nécessaire de vérifier le niveau d'huile avant chaque utilisation ou après chaque période de 8 heures d'utilisation. Gardez un niveau d'huile constant.

1. Assurez-vous que l'unité se trouve sur une surface de niveau.
2. Enlevez le bouchon de remplissage d'huile et essuyez avec un linge.
3. Vérifiez que l'huile est sur le point de déborder par l'orifice de remplissage.

Ajout d'huile

1. Assurez-vous que l'unité se trouve sur une surface de niveau.
2. Vérifiez le niveau d'huile de la manière décrite dans la rubrique "Vérification du niveau d'huile".
3. Au besoin, videz lentement l'huile dans l'orifice de remplissage d'huile, jusqu'à ce qu'elle déborde par l'orifice du couvercle de remplissage d'huile.

Vidange de l'huile moteur

Changez l'huile après la première période de 5 heures d'utilisation. Par la suite, changez l'huile après chaque période de 50 heures d'opération. Si vous utilisez votre pompe à eau dans des endroits très sales ou poussiéreux ou dans des conditions de chaleur intense, changez alors l'huile plus fréquemment.

⚠ MISE EN GARDE

Évitez les contacts prolongés ou répétés entre la peau et la vieille huile à moteur.

- La vieille huile à moteur a causé un cancer de la peau chez certains animaux de laboratoire.
- Lavez bien les parties exposées avec du savon et de l'eau.



CONSERVER HORS DE LA PORTÉE DES ENFANTS.
NE PAS POLLUER. PRÉSERVER LES RESSOURCES.
RETOURNER LA VIEILLE HUILE DANS DES CENTRES DE RÉCUPÉRATION.

Changez l'huile alors que le moteur est encore chaud, de la façon suivante:

1. Assurez-vous que l'unité se trouve sur une surface de niveau.
2. Débranchez le câble de bougie de la bougie et placez-le à un endroit où il ne peut entrer en contact avec la bougie.

⚠ AVERTISSEMENT



Une étincelle involontaire peut causer un incendie ou un choc électrique.

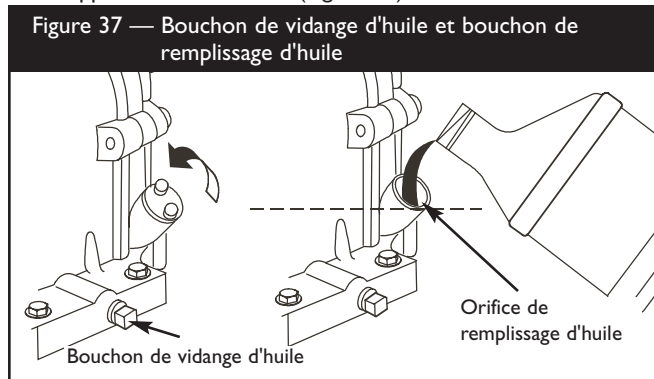
LORS DU RÉGLAGE OU DES RÉPARATIONS DE VOTRE POMPE À EAU

- Débranchez le câble de bougie de la bougie d'allumage et placez-le à un endroit où il ne peut être en contact avec la bougie.

LORS DE TESTS D'ALLUMAGE DU MOTEUR

- Utilisez un vérificateur de bougies d'allumage approuvé.
- NE vérifiez PAS l'allumage lorsque la bougie d'allumage est enlevée.

- Nettoyez la surface autour du bouchon de vidange d'huile. Le bouchon de vidange d'huile se trouve au bas du moteur, à l'opposé du carburateur (Figure 37).



- Dévissez le bouchon de vidange d'huile et vidangez complètement l'huile dans un contenant approprié.
- Réinstallez le bouchon de vidange d'huile et serrez-le solidement. Retirez le couvercle de l'orifice de remplissage d'huile.
- Videz lentement de l'huile (environ 20 oz (0,6 l)) dans l'orifice de remplissage d'huile, jusqu'à ce qu'elle déborde par l'orifice du couvercle de remplissage d'huile (Figure 37). NE remplissez PAS trop le carter d'huile.
- Revissez le couvercle de l'orifice de remplissage d'huile. Serrez-le fermement à la main.
- Essuyez tout déversement d'huile.

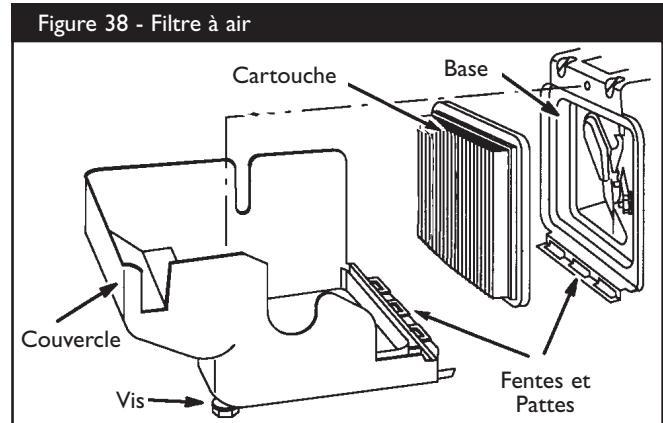
Entretien du filtre à air

Votre moteur ne fonctionnera pas adéquatement et pourrait s'endommager si vous le faites fonctionner avec un filtre à air sale.

Remplacez le filtre à air à toutes les 25 heures d'utilisation ou une fois par an, le premier des deux prévalant. Remplacez le filtre plus souvent si vous utilisez la pompe dans un endroit sale ou poussiéreux.

Pour faire l'entretien du filtre à air, procédez comme suit:

- Dévissez la vis et ouvrez le couvercle (Figure 38).

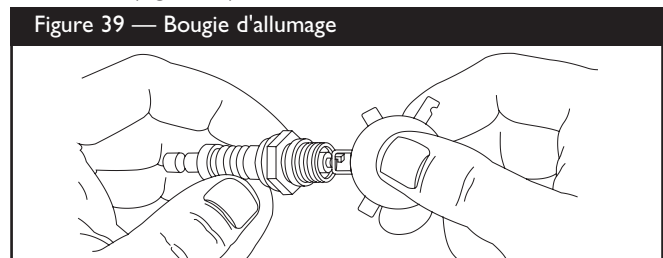


- Retirez soigneusement la cartouche.
- Pour nettoyer la cartouche, frappez doucement le côté de papier en accordéon sur une surface plane.
- Réinstallez la cartouche propre ou une nouvelle cartouche dans le couvercle.
- Insérez les pattes du couvercle dans les fentes inférieures de la base.
- Refermez le couvercle et serrez fermement la vis sur la base.

Entretien de la bougie d'allumage

Changez la bougie d'allumage à toutes les 100 heures d'utilisation ou une fois par an, le premier des deux prévalant. Ainsi, le moteur démarrera plus facilement et fonctionnera mieux.

- Nettoyez la surface autour de la bougie d'allumage.
- Enlevez la bougie d'allumage et examinez-la.
- Vérifiez l'écartement des électrodes à l'aide d'une jauge d'épaisseur et ajustez l'écartement à 0,030 po (0,76 mm) au besoin (Figure 39).



- Si les électrodes sont piquées, brûlées ou que la porcelaine est craquée, changez la bougie. Utilisez la bougie de remplacement recommandée.
- Installez la bougie d'allumage et serrez-la solidement.

Nettoyage de l'écran pare-étincelles

Le silencieux du moteur peut être doté d'un écran pare-étincelles. S'il en est doté, vérifiez et nettoyez cet écran à toutes les 50 heures d'utilisation ou une fois par an, le premier des deux prévalant.

Si vous utilisez votre pompe à eau sur un terrain boisé, couvert de broussailles ou gazonné non défriché, vous devez avoir un pare-étincelles. Le propriétaire/opérateur doit conserver le pare-étincelles en bon état.

AVERTISSEMENT



Les moteurs en marche produisent de la chaleur. La température du silencieux et des surfaces environnantes peut atteindre et dépasser 65°C (150°F).



Un contact avec ces surfaces peut causer des brûlures graves. Les débris inflammables, tels que feuilles, herbes, broussailles, peuvent s'enflammer.

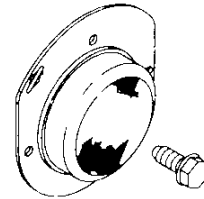
- NE touchez PAS aux pièces chaudes et évitez le contact avec les gaz d'échappement.
- Laissez refroidir l'équipement avant d'y toucher.
- La pompe à eau ne doit pas se trouver à moins de 1,5 m (5 pi) de toute structure comportant des murs combustibles ou d'autres matériaux combustibles.
- Laissez un dégagement d'au moins 1 m (3 pi) tout autour de la pompe à eau pour le refroidissement, l'entretien et les réparations.
- La chaleur d'échappement réfléchie peut endommager le réservoir d'essence et causer un incendie.
- Le Code of Federal Regulation (CFR) Title 36 Parks, Forests, and Public Property exige que de l'équipement alimenté par un moteur à combustion interne soit doté d'un pare-étincelles et constamment maintenu en bon état fonctionnement, conformément à la norme de service 5100-1C de la USDA Forest ou à une révision de celle-ci. Dans l'État de la Californie, un pare-étincelles est requis en vertu de la section 4442 du California Public Resources Code. Il se peut que d'autres États aient des lois semblables.

Si le moteur fonctionne depuis un certain temps, le silencieux peut être très chaud. Laissez le silencieux refroidir avant d'effectuer l'entretien du pare-étincelles.

- Enlevez l'écran de pare-étincelles pour procéder au nettoyage et à l'inspection (Figure 40).

Figure 40 - Pare-étincelles

Pare-étincelles
type illustré



- Vérifiez l'écran et remplacez-le s'il est tordu, troué ou autrement endommagé. N'utilisez PAS un écran défectueux. Si l'écran n'est pas endommagée, nettoyez-le avec du dissolvant commercial.
- Remplacez l'écran de pare-étincelles sur le silencieux.

REMARQUE: Vous pouvez acheter un nouvel écran de pare-étincelles en téléphonant au **1-800-743-4115**.

Système de refroidissement à air

Avec le temps, les débris peuvent s'accumuler dans les ailettes de refroidissement du cylindre et ne peuvent être repérés que par un désassemblage partiel du moteur. Nous vous recommandons donc de demander à un distributeur de service Briggs & Stratton autorisé de nettoyer le système de refroidissement aux intervalles recommandés (consultez la section "Calendrier d'entretien" à la page 41). Il est aussi important de garder le moteur libre de débris. Voir "Nettoyage".



ENTREPOSAGE

Il est préférable de démarrer la pompe à eau au moins une fois tous les sept jours et de la laisser fonctionner durant au moins 30 minutes. Si cela n'est pas possible et que vous devez l'entreposer durant plus de 30 jours, suivez les directives ci-après pour préparer l'unité en vue de l'entreposage.

Directives d'entreposage à long terme

Pendant la période d'entreposage, il est important d'empêcher la formation de dépôts de gomme dans les parties importantes du système d'alimentation comme le carburateur, le filtre à essence, le tuyau souple de carburant ou le réservoir. De plus, l'expérience a démontré que les carburants à l'alcool (appelés gazohol, éthanol ou méthanol) attire l'humidité, ce qui entraîne la séparation et la formation d'acides durant l'entreposage. Un carburant acide peut endommager le système d'alimentation du moteur pendant l'entreposage.

Additif de carburant:

Si vous ajoutez un additif de carburant, remplissez le réservoir à essence avec de l'essence fraîche. Si le réservoir n'est que partiellement rempli, l'air présent augmentera la détérioration de l'essence durant son entreposage. Vous pouvez entreposer le moteur et l'essence durant une période maximale de 24 mois avec un additif.

- Ajoutez un additif de carburant en suivant les directives du fabricant.
- Laissez tourner le moteur à l'extérieur pendant 30 secondes pour vous assurer que l'essence traitée a remplacé l'essence non traitée dans le carburateur.

Si vous n'utilisez pas d'additif, videz le réservoir à essence et laissez tourner le moteur jusqu'à ce qu'il tombe en panne d'essence.




 AVERTISSEMENT	
	L'essence et ses vapeurs sont extrêmement inflammables et explosives.
	Un incendie ou une explosion peut causer des brûlures graves ou la mort.
LORS DE L'ENTREPOSAGE DE L'ESSENCE OU DE L'ÉQUIPEMENT AVEC DE L'ESSENCE DANS LE RÉSERVOIR	
<ul style="list-style-type: none"> • Entreposez la pompe loin des fournaies, poêle, chauffe-eau, sècheuses ou autres électroménagers munis d'une veilleuse ou d'une source d'allumage car ils pourraient allumer les vapeurs d'essence. 	
LORS DE LA VIDANGE DE L'ESSENCE	
<ul style="list-style-type: none"> • Éteignez la pompe à eau et laissez-la refroidir pendant au moins 2 minutes avant de retirer le bouchon à essence. Dévissez lentement le bouchon pour libérer la pression dans le réservoir. • Vidangez le réservoir à l'extérieur. • Gardez l'essence loin des étincelles, des flammes nues, des veilleuses, de la chaleur et des autres sources d'allumage. • N'allumez PAS de cigarette ou NE fumez PAS. 	

Changement de l'huile

Alors que le moteur est encore chaud, vidangez l'huile du carter. Remplissez le carter à nouveau avec de l'huile de la qualité recommandée.

Huilage de l'alésage du cylindre

- Enlevez la bougie d'allumage et versez environ 30 ml (1 once) d'huile à moteur neuve dans le cylindre.
- Installez la bougie d'allumage et tirez lentement la poignée du démarreur pour distribuer l'huile.

 AVERTISSEMENT	
	Une étincelle involontaire peut causer un incendie ou un choc électrique.
	
<ul style="list-style-type: none"> • Ne tirez JAMAIS la poignée du démarreur si la bougie d'allumage est enlevée. 	

Pompe à eau

1. Vidangez la pompe à eau de la manière décrite dans "Vidange et rinçage de la pompe à eau".
2. Nettoyez la pompe à eau de la façon décrite dans "Nettoyage".
3. Vérifiez si les ouvertures de la pompe à eau sont ouvertes et libres.

Autres conseils d'entreposage

1. N'entreposez PAS de carburant d'une saison à l'autre.
2. Remplacez le contenant à essence s'il commence à rouiller. Un carburant contaminé peut causer des problèmes de moteur.
3. Si possible, entreposez l'appareil à l'intérieur et couvrez-le pour le protéger contre la poussière et les saletés. **ASSUREZ-VOUS DE VIDER LE RÉSERVOIR D'ESSENCE.**
4. Couvrez l'unité à l'aide d'une housse de protection adéquate qui ne retient pas l'humidité.

 AVERTISSEMENT	
	Les couvertures de rangement peuvent être inflammables.
<ul style="list-style-type: none"> • NE placez JAMAIS une couverture de rangement sur une pompe à eau chaude. • Laissez l'appareil refroidir suffisamment avant de placer la couverture de rangement dessus. 	

5. Entreposez la pompe à eau dans un endroit propre et sec.



DÉPANNAGE

Problèm	Cause	Solution
Peu ou pas de débit lorsque la pompe fonctionne.	<ol style="list-style-type: none"> 1. La pompe n'est pas amorcée. 2. Le boyau d'aspiration est obstrué, écrasé, endommagé, trop long ou son diamètre est trop petit. 3. Le panier-filtre n'est pas complètement sous l'eau. 4. Il y a une fuite d'air au niveau du connecteur du boyau d'aspiration. 5. Le panier-filtre est bouché. 6. Le boyau d'évacuation est obstrué, endommagé, trop long ou son diamètre est trop petit. 7. Hauteur excessive ou marginale. 8. Le levier du régime du moteur est à la position "Slow". 	<ol style="list-style-type: none"> 1. Remplir la chambre de pompe avec l'eau et amorcez la pompe. 2. Remplacez le boyau d'aspiration. 3. Immergez le panier-filtre et l'extrémité du boyau d'aspiration complètement sous l'eau. 4. Remplacez la rondelle d'étanchéité si elle est manquante ou endommagée. Serrez le connecteur et la bride du boyau. 5. Nettoyez les débris dans le panier-filtre. 6. Remplacez le boyau d'évacuation. 7. Changez la pompe et/ou les boyaux d'endroit pour réduire la hauteur. 8. Déplacez le levier du régime du moteur à la position "Fast".
Le moteur ne démarre pas; manque de puissance; démarre et a des ratés; ou a des "à-coups" ou des hésitations.	<ol style="list-style-type: none"> 1. Interrupteur à bascule réglé sur "Off". 2. Vanne de combustible en position "Off". 3. Filtre à air encrassé. 4. Panne d'essence. 5. Essence éventée ou contaminée ou eau dans l'essence. 6. Câble de bougie non branché à la bougie d'allumage. 7. Bougie défectueuse. 8. Trop grande quantité d'essence dans le mélange air/essence, ce qui "noie" le moteur. 9. Mélange d'essence trop riche. 10. Soupape d'admission bloquée en position ouverte ou fermée. 11. Perte de compression du moteur. 12. Mélange trop riche ou trop pauvre dans le carburateur. 	<ol style="list-style-type: none"> 1. Réglez l'interrupteur sur "On". 2. Tournez la vanne de combustible à la position "On". 3. Nettoyez ou remplacez le filtre à air. 4. Attendez deux minutes et remplissez le réservoir d'essence. 5. Vidangez le réservoir et le carburateur; faites le plein avec de l'essence nouvelle. 6. Branchez le fil à la bougie. 7. Remplacez la bougie. 8. Attendez 5 minutes et redémarrez le moteur. 9. Contactez un centre de service autorisé. 10. Contactez un centre de service autorisé. 11. Contactez un centre de service autorisé. 12. Contactez un centre de service autorisé.
Le moteur s'arrête quand il fonctionne.	Panne d'essence.	Attendez deux minutes et remplissez le réservoir d'essence.

GARANTIE DU DISPOSITIF ANTIPOLLUTION

**Briggs & Stratton Corporation (B&S), le California Air Resources Board (CARB)
et le United States Environmental Protection Agency (U.S. EPA)**

Énoncé de garantie du dispositif antipollution (Droits et obligations du propriétaire relatifs à la garantie contre les défauts)

Énoncé de garantie du dispositif antipollution pour la Californie, les États-Unis et le Canada

Le California Air Resources Board (CARB), l'U.S. EPA et B&S sont heureux de vous expliquer la garantie couvrant le dispositif antipollution de votre petit moteur hors route. En Californie, les nouveaux modèles de petits moteurs hors route de l'année 2006 et ultérieurs doivent être conçus, construits et équipés de façon à respecter les normes anti-smog rigoureuses de l'état. Ailleurs aux États-Unis, les nouveaux moteurs à étincelles hors route homologués, modèles 1997 ou plus récents, doivent respecter des normes semblables définies par l'U.S. EPA. B&S doit garantir le dispositif antipollution de votre moteur pour les périodes indiquées ci-dessous, à condition qu'il n'y ait pas eu d'abus, de négligence, de mauvais entretien sur ledit moteur.

Votre dispositif antipollution comprend des pièces comme le carburateur, le filtre à air, le système d'allumage, le conduit d'essence, le silencieux et le convertisseur catalytique. Il peut aussi y avoir des connecteurs et d'autres dispositifs reliés aux émissions.

Dans le cas d'un défaut couvert par la garantie, B&S réparera votre petit moteur hors route sans frais, et ce, incluant le diagnostic, les pièces et la main d'œuvre.

Couverture de garantie contre les défauts du dispositif antipollution de Briggs & Stratton

La garantie de votre petit moteur hors route couvre les pièces défectueuses du dispositif antipollution pour une période de deux ans, sujette aux dispositions détaillées ci-dessous. Si une pièce de votre moteur couverte par la garantie est défectueuse, B&S la réparera ou la remplacera.

Responsabilités de la garantie du propriétaire

En tant que propriétaire de petit moteur hors route, vous êtes responsable de l'exécution de l'entretien requis indiqué dans vos instructions d'utilisation et d'entretien. B&S recommande de conserver tous les reçus reliés à l'entretien de votre petit moteur hors route; toutefois, B&S ne peut refuser la garantie uniquement parce que vous êtes dans l'impossibilité de produire les reçus ou que vous n'avez pas effectué toutes les étapes de l'entretien prévu.

Néanmoins, vous devez savoir, en tant que propriétaire de petit moteur hors route, que B&S peut renier la garantie si votre moteur ou une pièce font défaut en raison d'abus, de négligence, d'entretien inadéquat ou de modifications non approuvées.

Dès qu'un problème survient, vous avez la responsabilité de faire examiner votre moteur chez un distributeur de service B&S autorisé. Les réparations couvertes par la garantie non contestées doivent être effectuées dans un délai raisonnable, n'excédant pas 30 jours.

Si vous avez des questions au sujet de vos droits et responsabilités reliés à la garantie, veuillez communiquer avec un représentant de B&S au 1-414-259-5262.

La garantie du dispositif antipollution est une garantie contre les défauts. Les défauts sont évalués selon la performance normale du moteur. La garantie n'est pas reliée à un test du dispositif antipollution à l'usage.

Dispositions de la garantie contre les défauts du dispositif antipollution de Briggs & Stratton

Les dispositions qui suivent sont spécifiques à la couverture de garantie contre les défauts du dispositif antipollution. Elle est un ajout à la garantie sur les moteurs de B&S pour les moteurs non régulés, figurant dans le manuel d'utilisation.

I. Pièces garanties

La couverture de cette garantie n'englobe que les pièces énumérées ci-dessous (pièces du dispositif antipollution) dans la mesure où ces pièces étaient présentes sur le moteur au moment de l'achat.

- a. Système de contrôle d'alimentation en carburant
 - Dispositif d'enrichissement pour démarrage à froid (étrangleur à glissement)
 - Carburateur et pièces internes
 - Pompe à carburant
 - Conduit d'essence, raccords de conduit d'essence, brides de serrage
- b. Circuit d'entrée d'air
 - Filtre à air
 - Collecteur d'admission
- c. Système d'allumage
 - Bougie(s) d'allumage
 - Système d'allumage à magnéto
- d. Système de catalyseur
 - Catalytic converter
 - Collecteur d'échappement
 - Système d'injection d'air ou soupape d'impulsion
- e. Éléments divers utilisés dans les systèmes précédemment mentionnés
 - Soupapes et interrupteurs de dépression, de température, de position, à délai critique
 - Connecteurs et dispositifs

2. Durée de la couverture

B&S garantit au propriétaire initial et à tous les acheteurs ultérieurs que les pièces garanties seront libres de tout défaut de matériel et de main d'œuvre qui pourrait entraîner la défectuosité des pièces garanties, et ce, pour une période de deux ans à compter de la date de livraison du moteur à un acheteur au détail.

3. Aucun frais

La réparation ou le remplacement de toute pièce garantie s'effectuera sans frais pour le propriétaire, y compris la main d'œuvre reliée au diagnostic concluant qu'une pièce garantie est effectivement défectueuse, si le diagnostic est effectué chez un distributeur de service B&S approuvé. Pour obtenir des services en vertu de la garantie sur les émissions, veuillez appeler le distributeur de service autorisé de B&S le plus près de chez vous. Vous le trouverez dans les "Pages Jaunes" sous "Moteurs, essence", "Essence, moteurs", "Tondeuses à gazon" ou une catégorie similaire.

4. Réclamations et exclusions de couverture

Les réclamations au titre de la garantie doivent être présentées conformément aux dispositions de la politique de garantie du moteur de B&S. La couverture de garantie n'englobe pas les défectuosités sur des pièces garanties qui ne sont pas les pièces originales de B&S ou les défectuosités reliées à un abus, de la négligence ou un entretien inapproprié tel que détaillé dans la politique de garantie du moteur de B&S. B&S n'a pas la responsabilité de couvrir les défectuosités des pièces garanties causées par l'utilisation de pièces ajoutées, non originales ou modifiées.

5. Entretien

Toute pièce garantie dont le remplacement n'est pas prévu dans l'entretien requis, ou qui ne doit faire l'objet que d'une inspection régulière et qu'il ne faut que "réparer ou remplacer au besoin", est garantie contre les défectuosités pour la durée de la période de garantie. Toute pièce garantie dont le remplacement fait partie de l'entretien requis est garantie contre les défauts seulement pour la période se terminant au premier remplacement prévu de ladite pièce. Toute pièce de rechange dont la performance et la durabilité sont équivalentes peut être utilisée pour l'entretien ou les réparations. Le propriétaire est responsable de l'exécution de l'entretien requis, indiqué dans le manuel d'utilisation de B&S.

6. Couverture indirecte

La couverture prévue aux présentes englobe toute défectuosité de l'un des composants du moteur causée à la suite d'une défectuosité d'une des pièces garanties encore couverte par la garantie.

Période de durabilité des émissions et indice de pollution atmosphérique sur l'étiquette d'émissions du moteur

Les renseignements concernant la période de durabilité des émissions et l'indice de pollution atmosphérique doivent être fournis avec les moteurs qui répondent aux normes relatives aux émissions de catégorie 2 de la California Air Resources Board (CARB). Le fabricant du moteur doit fournir ces renseignements aux consommateurs sur des étiquettes d'émissions.

La **période de durabilité des émissions** décrit le nombre d'heures pendant lesquelles le moteur peut fonctionner en respectant les normes relatives aux émissions, en supposant que l'entretien est effectué conformément aux directives de fonctionnement et d'entretien. Les catégories utilisées sont les suivantes :

Modéré : Le moteur peut fonctionner pendant 125 heures tout en respectant la norme relative aux émissions.

Intermédiaire : Le moteur peut fonctionner pendant 250 heures tout en respectant la norme relative aux émissions.

Prolongé : Le moteur peut fonctionner pendant 500 heures tout en respectant la norme relative aux émissions.

Par exemple, l'utilisation d'une tondeuse poussée est d'environ 20 à 25 heures par année. Par conséquent, la **période de durabilité des émissions** d'un moteur de catégorie **intermédiaire** équivaut à une période de 10 à 12 années.

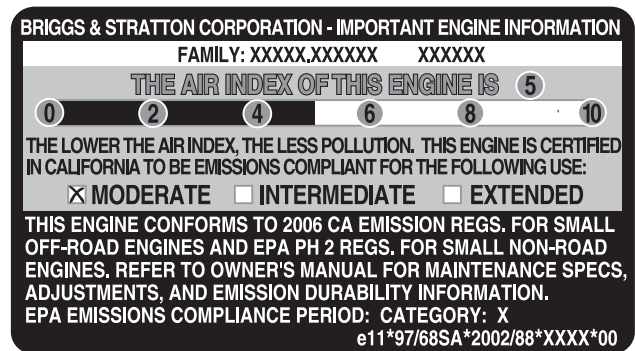
L'**indice de pollution atmosphérique** est un nombre calculé décrivant le taux relatif d'émissions pour un groupe de moteurs donné. Plus l'**indice de pollution atmosphérique** est faible, plus le moteur est dit " propre ". Ces renseignements sont affichés sous forme graphique sur l'étiquette d'émissions.

Période de conformité des émissions sur l'étiquette de conformité des émissions du moteur

À compter du 1er juillet 2000, certains moteurs Briggs & Stratton respecteront les normes relatives aux émissions de phase 2 de la United States Environmental Protection Agency (USEPA). Dans le cas des moteurs homologués phase 2, la période de conformité des émissions indiquée sur l'étiquette de conformité des émissions indique le nombre d'heures de fonctionnement pendant lesquelles le moteur a démontré qu'il respectait les exigences fédérales en matière d'émissions. Pour les moteurs de cylindrée inférieure à 225 cc, la catégorie C = 125 heures, B = 250 heures et A = 500 heures. Pour les moteurs de cylindrée égale ou supérieure à 225 cc, la catégorie C = 250 heures, B = 500 heures et A = 1000 heures.

Ce moteur est de catégorie intermédiaire; son indice de pollution atmosphérique est de 2. Il appartient à la catégorie B en ce qui a trait à la période de conformité des émissions EPA. Il a une cylindrée de 206 cc.

Vous trouverez ci-dessous une représentation générique de l'étiquette d'émissions apparaissant sur un moteur homologué.



GARANTIE DU PROPRIÉTAIRE D'UNE POMPE À EAU DE BRIGGS & STRATTON POWER PRODUCTS GROUP, LLC

À partir du 1er juillet 2005, la présente garantie remplace toute garantie non datée et toute garantie dont la date est antérieure au 1er juillet 2005.

GARANTIE LIMITÉE

Briggs & Stratton Power Products Group, LLC réparera ou remplacera, sans frais, toutes pièces défectueuses de la pompe à eau comportant un vice de matériau ou un défaut de fabrication ou les deux. En vertu de la présente garantie, les frais de transport des pièces soumises pour réparation ou remplacement sont à la charge de l'acheteur. La présente garantie sera en vigueur durant les périodes stipulées ci-dessous et est assujettie aux conditions stipulées ci-dessous. Pour obtenir des services en vertu de la garantie, veuillez consulter notre Outil de recherche d'un Service après-vente agréé au <http://www.briggspowerproducts.com> afin de trouver un distributeur de service après-vente agréé dans votre région.

IL N'EXISTE AUCUNE AUTRE GARANTIE EXPRESSE. LES GARANTIES IMPLICITES, INCLUANT CELLES DE QUALITÉ MARCHANDE ET D'ADAPTATION À UN USAGE PARTICULIER, SONT LIMITÉES À UNE PÉRIODE D'UN AN À PARTIR DE LA DATE D'ACHAT OU JUSQU'À LA LIMITE PERMISE PAR LA LOI, TOUTE GARANTIE IMPLICITE EST EXCLUE. LA RESPONSABILITÉ POUR DOMMAGES ACCESSOIRES OU INDIRECTS EST EXCLUE DANS LA MESURE OÙ UNE TELLE EXCLUSION EST PERMISE PAR LA LOI. Certains États/provinces ou pays n'autorisent aucune restriction sur la durée d'une garantie implicite, et certains États/provinces ou pays n'autorisent pas l'exclusion ou la limitation des dommages consécutifs ou indirects. Par conséquent, les restrictions et exclusions décrites ci-dessus pourraient ne pas s'appliquer dans votre cas. La présente garantie vous accorde certains droits légaux spécifiques et vous pourriez également en avoir d'autres, qui peuvent varier d'un État ou d'une province à l'autre et d'un pays à l'autre.

PÉRIODE DE GARANTIE

Usage par un consommateur	2 ans
Usage à des fins commerciales	1 an

La période de garantie débute à la date d'achat par le premier acheteur au détail ou par le premier utilisateur commercial final, et se prolonge pour la durée stipulée ci-dessus. " Usage par un consommateur " signifie utilisation domestique personnelle dans une résidence, par l'acheteur au détail. " Usage à des fins commerciales " signifie toute autre utilisation, y compris à des fins commerciales, de génération de revenus ou de location. Aux fins de la présente garantie, dès qu'un équipement a été utilisé commercialement une fois, il est par la suite considéré comme étant d'usage à des fins commerciales.

POUR EXERCER LA GARANTIE SUR TOUT PRODUIT FABRIQUÉ PAR BRIGGS & STRATTON, IL N'EST PAS NÉCESSAIRE DE L'ENREGISTRER. CONSERVEZ LE REÇU COMME PREUVE D'ACHAT. SI, LORS D'UNE RÉCLAMATION DE GARANTIE, VOUS NE POUVEZ PROUVER LA DATE INITIALE DE L'ACHAT, NOUS UTILISERONS LA DATE DE FABRICATION DU PRODUIT COMME DATE DE RÉFÉRENCE POUR DÉTERMINER LA PÉRIODE DE GARANTIE.

À PROPOS DE LA GARANTIE

Nous acceptons de faire effectuer les réparations couvertes par la garantie et tenons à nous excuser pour tout inconvénient subi. Tout agent d'un service après-vente agréé peut exécuter les réparations couvertes par la garantie. La plupart des réparations couvertes par la garantie sont traitées automatiquement; cependant, il arrive parfois que les demandes de service en vertu de la garantie soient non fondées. Par exemple, la garantie ne couvre pas les dommages causés à l'équipement par une utilisation abusive, par un manque d'entretien périodique, durant l'expédition, la manutention ou l'entreposage, ou en raison d'une installation inadéquate. De même, la garantie sera annulée si la date de fabrication ou le numéro de série apposé à la pompe à eau ou au moteur a été enlevé ou si l'équipement a été changé ou modifié. Durant la période de garantie, le distributeur de service après-vente agréé réparera ou remplacera, à son gré, toute pièce qui, après examen, est trouvée défectueuse à la suite d'une utilisation et d'un entretien normaux. La présente garantie ne couvre pas les réparations et les équipements suivants :

- **Usure normale :** Comme tout autre dispositif mécanique, les groupes électrogènes d'extérieur nécessitent l'entretien périodique de certaines pièces pour fonctionner adéquatement. La présente garantie ne couvre pas les frais de réparation des pièces ou des équipements dont la durée de vie utile a été dépassée à la suite d'une utilisation normale.
- **Installation et entretien :** La présente garantie ne couvre pas les équipements ou les pièces qui ont fait l'objet d'une installation ou de modifications et de changements inadéquats ou non autorisés, d'une mauvaise utilisation, de négligence, d'un accident, d'une surcharge, d'emballement, d'entretien inadéquat, de réparation ou d'entreposage qui, selon nous, auraient nui à la performance et à la fiabilité du produit. De plus, la garantie ne couvre pas l'entretien normal tel que les filtres à air, le réglage, le nettoyage du circuit d'alimentation et son obstruction (causée par l'accumulation de produits chimiques, de saletés, etc.).
- **Exclusions supplémentaires :** La présente garantie exclut les pièces qui s'usent tels que les joints d'étanchéité et les joints toriques, etc. La présente garantie exclut également les pompes ayant fonctionné sans alimentation en eau, soumise au gel ou à une détérioration chimique. Cette pompe est garantie pour une utilisation dans des applications reliées à l'eau claire, puisque certains composants subiront une usure accélérée variant selon le pourcentage et le niveau d'abrasion des dépôts passant dans la pompe. Les pièces accessoires telles que les boyaux ou les filtres ne sont pas couvertes par la garantie du produit. Cette garantie exclut toute défaillance due à une catastrophe naturelle ou à toute autre force majeure hors du contrôle du fabricant.

BRIGGS & STRATTON POWER PRODUCTS GROUP, LLC
JEFFERSON, WI, USA

198260F, Rev 0, 07/06/2005





CONSERVE ESTAS INSTRUCCIONES

ÍNDICE

Normas de seguridad 50-52
 Conozca su bomba de agua 53-55
 Montaje 56-57
 Funcionamiento 58-61
 Especificaciones 62-63
 Mantenimiento 64-67
 Almacenamiento 68
 Resolución de problemas 69
 Garantía de control de emisiones 70-71
 Garantía 72

DESCRIPCIÓN DEL EQUIPO

 **Lea atentamente este manual y familiarícese con la bomba de agua. Conozca sus aplicaciones, limitaciones y riesgos.**


 PRECAUCIÓN
Estas bombas de agua SÓLO están diseñadas para bombear agua limpia no destinada al consumo humano.


Esta bomba de agua se puede utilizar para pequeñas obras o en caso de emergencia, para extraer agua de un lugar inundado, como un sótano. También se puede utilizar para vaciar una piscina o para regar el césped o un jardín.


Se ha realizado el máximo esfuerzo para reunir en este manual la información más precisa y actualizada. No obstante, nos reservamos el derecho de modificar, alterar o mejorar de cualquier otra forma el producto y este documento en cualquier momento y sin previo aviso.

El sistema de control de emisiones de la bomba de agua está garantizado conforme a las normas definidas por la Environmental Protection Agency y el California Air Resources Board.

NORMAS DE SEGURIDAD

 **Éste es el símbolo de alerta de seguridad. Sirve para advertir al usuario de un posible riesgo para su integridad física. Siga todos los mensajes de seguridad que figuren después de este símbolo para evitar lesiones o incluso la muerte.**


El símbolo de alerta de seguridad () se utiliza con una palabra de señalización (PELIGRO, PRECAUCIÓN, ADVERTENCIA), una imagen y/o un mensaje de seguridad para advertir al usuario de un riesgo. **PELIGRO** indica un riesgo que, de no evitarse, provocará la muerte o lesiones de gravedad. **ADVERTENCIA** indica un riesgo que, de no evitarse, puede provocar la muerte o lesiones de gravedad. **PRECAUCIÓN** indica un riesgo que, de no evitarse, puede provocar lesiones moderadas. Cuando se utiliza **sin** el símbolo de alerta, **PRECAUCIÓN** indica una situación que podría producir daños en el equipo. Siga en todo momento los mensajes de seguridad para evitar o reducir el riesgo de lesiones y de muerte.

 ADVERTENCIA
Los gases de escape del motor de este producto contienen sustancias químicas declaradas por el Estado de California como cancerígenas y causantes de malformaciones y otros defectos de nacimiento.

Símbolos de peligro y sus significados

		
Vapores tóxicos	Retroceso	Descarga
		
Explosión	Fuego	
		
Piezas móviles	Superficie caliente	

⚠ ADVERTENCIA

 La bomba de agua en funcionamiento produce monóxido de carbono, un gas venenoso inodoro e incoloro. La inhalación de monóxido de carbono puede provocar náuseas, desmayos o incluso la muerte.

- Utilice la bomba de agua **SÓLO** a la intemperie.
- Evite que los gases de escape entren en un espacio cerrado a través de las ventanas, puertas, tomas de aire de ventilación u otras aberturas.
- **NO** utilice la bomba de agua en el interior de un edificio, recinto o espacio cerrado (por ejemplo, sótanos, garajes o lugares similares), aunque haya ventanas o puertas abiertas.

⚠ ADVERTENCIA

 El rápido repliegue del cable del arrancador (retroceso) impedirá que el usuario suelte el cable a tiempo y tirará de su mano y brazo hacia el motor. Como resultado, podrían producirse fracturas, contusiones o esguinces. Mantenga las manos y el cuerpo alejados de la descarga de la bomba.

- Cuando arranque el motor, tire lentamente del cable hasta sentir una resistencia y, a continuación, tire rápidamente de él para evitar su retroceso.
- Sujete la manguera de descarga para evitar latigazos.

⚠ ADVERTENCIA

 Las chispas accidentales pueden provocar fuego o descargas eléctricas.


CUANDO AJUSTE O REPARE LA BOMBA DE AGUA


- Desconecte el cable de la bujía de ésta y colóquelo donde no pueda entrar en contacto con la bujía.

CUANDO PRUEBE LA BUJÍA DEL MOTOR

- Utilice un comprobador de bujías homologado.
- **NO** compruebe la chispa sin la bujía instalada.

⚠ ADVERTENCIA

 El combustible y sus vapores son extremadamente inflamables y explosivos.

 El fuego y las explosiones pueden causar quemaduras graves o incluso la muerte.

CUANDO AÑADA COMBUSTIBLE O VACÍE EL DEPÓSITO

- Pare la bomba de agua y déjala enfriar durante al menos 2 minutos antes de quitar el tapón de combustible. Afloje lentamente el tapón para eliminar la presión del depósito.
- Llene o vacíe el depósito de combustible a la intemperie.
- **NO** llene en exceso el depósito. Deje espacio para permitir la expansión del combustible.
- Mantenga el combustible alejado de chispas, llamas, fuentes de calor y otras fuentes de ignición.
- **NO** encienda cigarrillos ni fume.

CUANDO PONGA EN FUNCIONAMIENTO EL EQUIPO

- Compruebe que la bujía, el silenciador, el tapón del depósito de combustible y el filtro de aire están instalados.
- **NO** arranque el motor sin la bujía instalada.
- Si se ha derramado combustible, espere a que se evapore antes de arrancar el motor.

CUANDO UTILICE EL EQUIPO

- **NO** bombee líquidos inflamables, como combustibles o aceites.
- Este bomba de agua no es apto para el uso en equipos móviles ni en aplicaciones marinas.
- **NO** incline el motor ni el equipo de forma que pueda derramarse el combustible.
- Asegure la bomba de agua. Las cargas de las mangueras pueden provocar la caída de la bomba.
- **NO** coloque la palanca estranguladora en la posición "**Choke**" para parar el motor.

CUANDO TRANSPORTE O REPARE EL EQUIPO

- Transporte o repare el equipo con el depósito de combustible **VACÍO** o con la válvula de paso de combustible en la posición **OFF**.
- Desconecte el cable de la bujía.

CUANDO GUARDE COMBUSTIBLE O EL EQUIPO CON COMBUSTIBLE EN EL DEPÓSITO

- Manténgalo alejado de calderas, estufas, calentadores de agua, secadoras de ropa y otros aparatos que utilicen pilotos luminosos u otras fuentes de ignición que pudieran inflamar los vapores de combustible.

⚠️ ADVERTENCIA



El motor en funcionamiento genera calor. La temperatura del silenciador y de las zonas cercanas puede alcanzar o superar los 65 °C (150 °F)

En caso de contacto, se pueden producir quemaduras graves.



Los residuos como hojas, hierba, maleza, etc. se pueden inflamar.

- NO toque las superficies calientes y evite los gases del escape a alta temperatura.
- Deje que el equipo se enfríe antes de tocarlo.
- La bomba de agua debe mantenerse a una distancia mínima de 1,5 m (5 pies) de toda estructura con muros o materiales combustibles.
- Deje un espacio libre mínimo de 1 metro (3 pies) alrededor de la bomba de agua para facilitar la refrigeración, las reparaciones y las tareas de mantenimiento.
- El calor que refleja el escape podría dañar el depósito de combustible y provocar un incendio.
- El Código de Normativa Federal (CFR, Título 36: Parques, Bosques y Propiedad Pública) obliga a instalar una pantalla apagachispas en los equipos con motor de combustión interno y a mantenerla en buenas condiciones de funcionamiento, conforme a la norma 5100-1C (o posterior) del Servicio Forestal de la USDA. En el Estado de California, la ley exige el uso de una pantalla apagachispas (Sección 4442 del Código de Recursos Públicos de California). En otros estados puede haber leyes similares en vigor.

⚠️ ADVERTENCIA



El arrancador y otras piezas rotativas pueden enredarse en las manos, el pelo, la ropa u otros accesorios.

- NUNCA coloque las manos ni ninguna otra parte del cuerpo en el interior de la bomba ni en las mangueras cuando el equipo esté en funcionamiento.
- NO utilice ropa suelta, joyas ni objetos que puedan quedar atrapados en el arrancador o en otras piezas rotativas.
- Recoja el pelo largo y quítese cualquier joya.

⚠️ PRECAUCIÓN

Las velocidades de funcionamiento excesivamente altas aumentan el riesgo de lesiones y de daños en la bomba de agua. Las velocidades excesivamente bajas incrementan la carga de trabajo.

- NO intente alterar la velocidad controlada.
- NO haga ninguna modificación en la bomba de agua.
- NO permita que personas no cualificadas o niños utilicen o reparen la bomba de agua.

PRECAUCIÓN

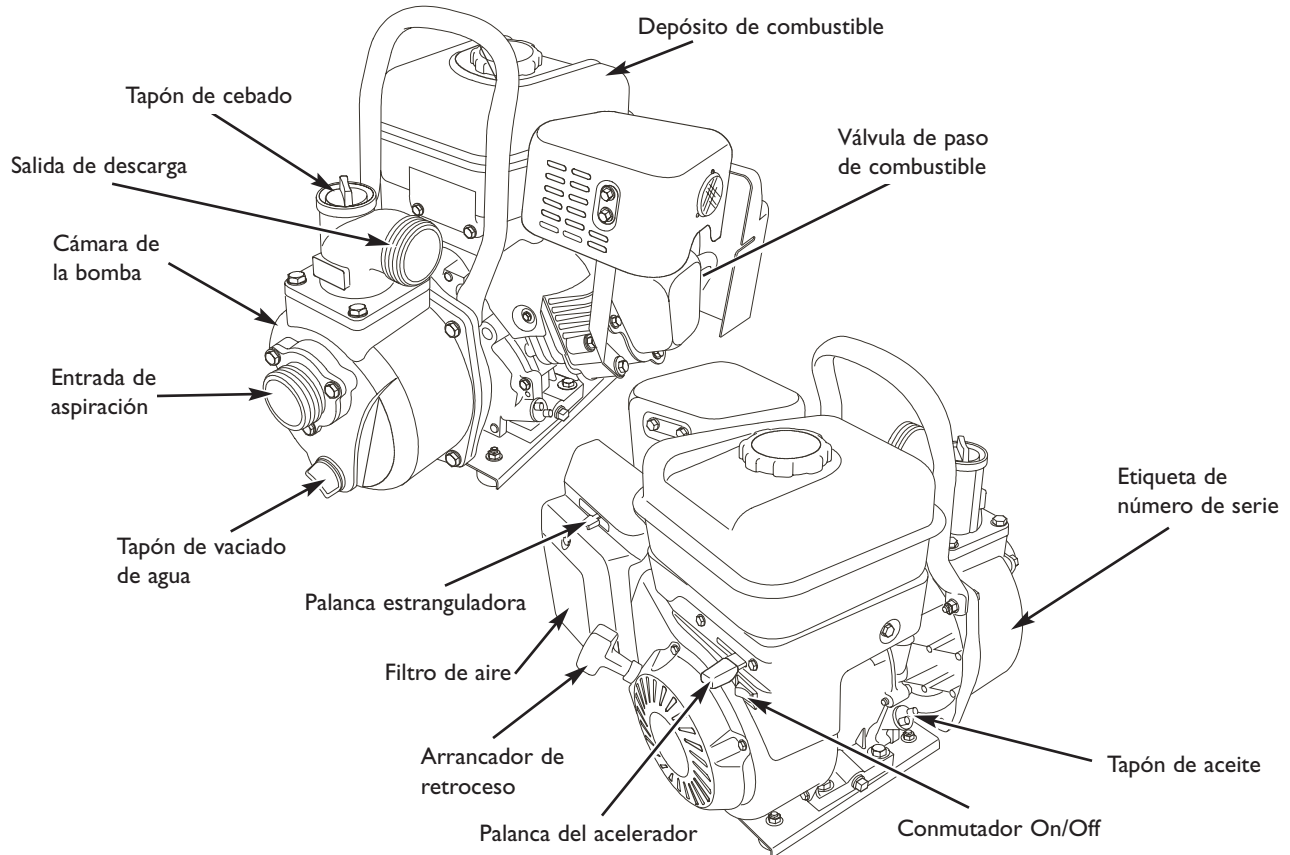
Un tratamiento inadecuado de la bomba de agua puede estropearla y acortar su vida útil.

- Asegúrese de que la cámara de la bomba esté llena de agua antes de arrancar el motor. NUNCA utilice la bomba sin cebarla previamente.
- Utilice una manguera no plegable en el lado de aspiración de la bomba.
- Utilice la bomba de agua sólo para los usos previstos.
- En caso de dudas sobre los usos, consulte al distribuidor o llame al 1-800-743-4115.
- Bombee únicamente agua no destinada al consumo humano.
- El bombeo de agua de mar, bebidas, ácidos, soluciones químicas o cualquier otro líquido corrosivo puede deteriorar la bomba.
- Asegúrese de que todas las conexiones sean herméticas.
- NO obstruya las mangueras de entrada y salida.
- NUNCA utilice la bomba sin un filtro en el extremo de la manguera de aspiración.
- NO supere la altura máxima de aspiración, 8 m (25 pies), ni la altura total, 32 m (106 pies). Utilice la menor altura de aspiración posible (vea página 59).
- NUNCA permita que un vehículo pase sobre las mangueras. Si es necesario cruzar una calzada con la manguera, utilice planchas en ambos lados de la manguera para que los vehículos puedan pasar sin obstruirla.
- Asegure la bomba para evitar que se mueva, especialmente si está situada cerca de una cuneta o del borde de un barranco. El equipo podría caerse.
- No sitúe el equipo cerca de la orilla de un río o lago donde pudiera causar el desprendimiento del suelo.
- NO inserte ningún objeto por las ranuras de refrigeración.

CONOZCA SU BOMBA DE AGUA - MODELO 07300 I

Lea este manual del propietario y las normas de seguridad antes de utilizar la bomba de agua.

Compare las ilustraciones con la bomba para familiarizarse con la situación de los distintos mandos y ajustes. Guarde este manual para futuras consultas.



Arrancador de retroceso - Permite arrancar el motor.

Cámara de la bomba - Asegúrese de llenarla de agua antes de la puesta en marcha.

Cesta del filtro (no mostrado) - Utilizado para limitar el pasaje de materias abrasivas en la bomba.

Depósito de combustible - 3,78 l (1 galón EE.UU.) de capacidad.

Entrada de aspiración - Conecte aquí la manguera de aspiración reforzada.

Etiqueta de número de serie - Indica los números de modelo, revisión y serie de la bomba de agua. Tenga esta información preparada si llama al servicio técnico.

Filtro de aire - Protege el motor filtrando el polvo y los residuos del aire de admisión.

Información de motor (no mostrado) - Estampado en la cubierta de válvula. Indica los números de modelo, tipo y recorta de la motor. Tenga esta información preparada si llama al servicio técnico.

Interruptor On/Off - Sitúe el interruptor en la posición "On" antes de utilizar el arrancador de retroceso. Sitúelo en la posición "Off" para parar el motor.

Palanca del acelerador - Permite regular la velocidad del motor para controlar el rendimiento de la bomba.

Palanca estranguladora - Se utiliza para arrancar un motor en frío.

Salida de descarga - Conecte aquí la manguera de descarga.

Tapón de cebado - Permite llenar la bomba de agua para cebarla antes de la puesta en marcha.

Tapón de aceite - Permite comprobar el nivel de aceite y llenar el motor.

Tapón de vaciado de agua - Permite vaciar el agua de la bomba y limpiar los componentes internos con agua limpia.

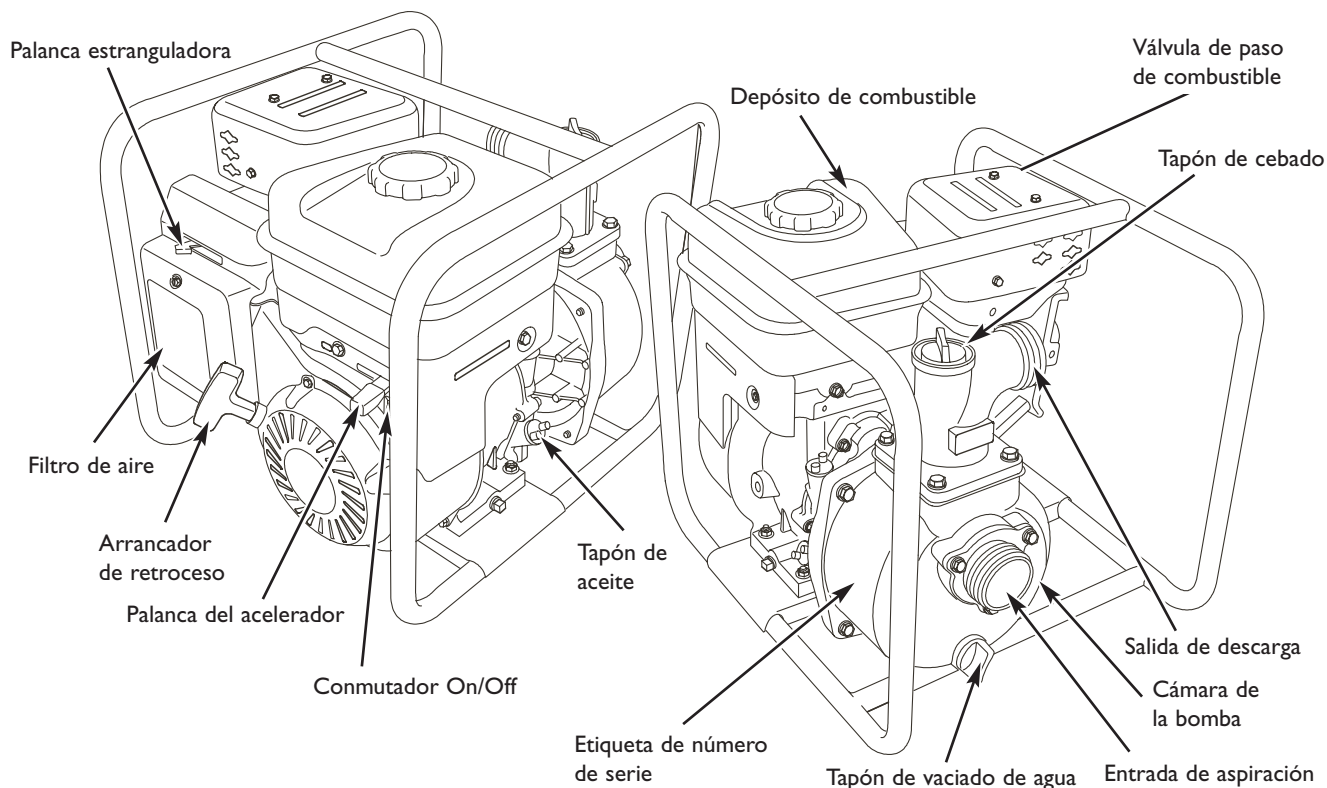
Válvula de paso de combustible - Permite abrir y cerrar la alimentación de combustible al motor.



CONOZCA SU BOMBA DE AGUA - MODELO 073002

Lea este manual del propietario y las normas de seguridad antes de utilizar la bomba de agua.

Compare las ilustraciones con la bomba para familiarizarse con la situación de los distintos mandos y ajustes. Guarde este manual para futuras consultas.



Arrancador de retroceso - Permite arrancar el motor.

Cámara de la bomba - Asegúrese de llenarla de agua antes de la puesta en marcha.

Cesta del filtro (no mostrado) - Utilizado para limitar el pasaje de materias abrasivas en la bomba.

Depósito de combustible - 3,78 l (1 galón EE.UU.) de capacidad.

Entrada de aspiración - Conecte aquí la manguera de aspiración reforzada.

Etiqueta de número de serie - Indica los números de modelo, revisión y serie de la bomba de agua. Tenga esta información preparada si llama al servicio técnico.

Filtro de aire - Protege el motor filtrando el polvo y los residuos del aire de admisión.

Información de motor (no mostrado) - Estampado en la cubierta de válvula. Indica los números de modelo, tipo y recorta de la motor. Tenga esta información preparada si llama al servicio técnico.

Interruptor On/Off - Sitúe el interruptor en la posición "On" antes de utilizar el arrancador de retroceso. Sitúelo en la posición "Off" para parar el motor.

Palanca del acelerador - Permite regular la velocidad del motor para controlar el rendimiento de la bomba.

Palanca estranguladora - Se utiliza para arrancar un motor en frío.

Salida de descarga - Conecte aquí la manguera de descarga.

Tapón de aceite - Permite comprobar el nivel de aceite y llenar el motor.

Tapón de cebado - Permite llenar la bomba de agua para cebarla antes de la puesta en marcha.

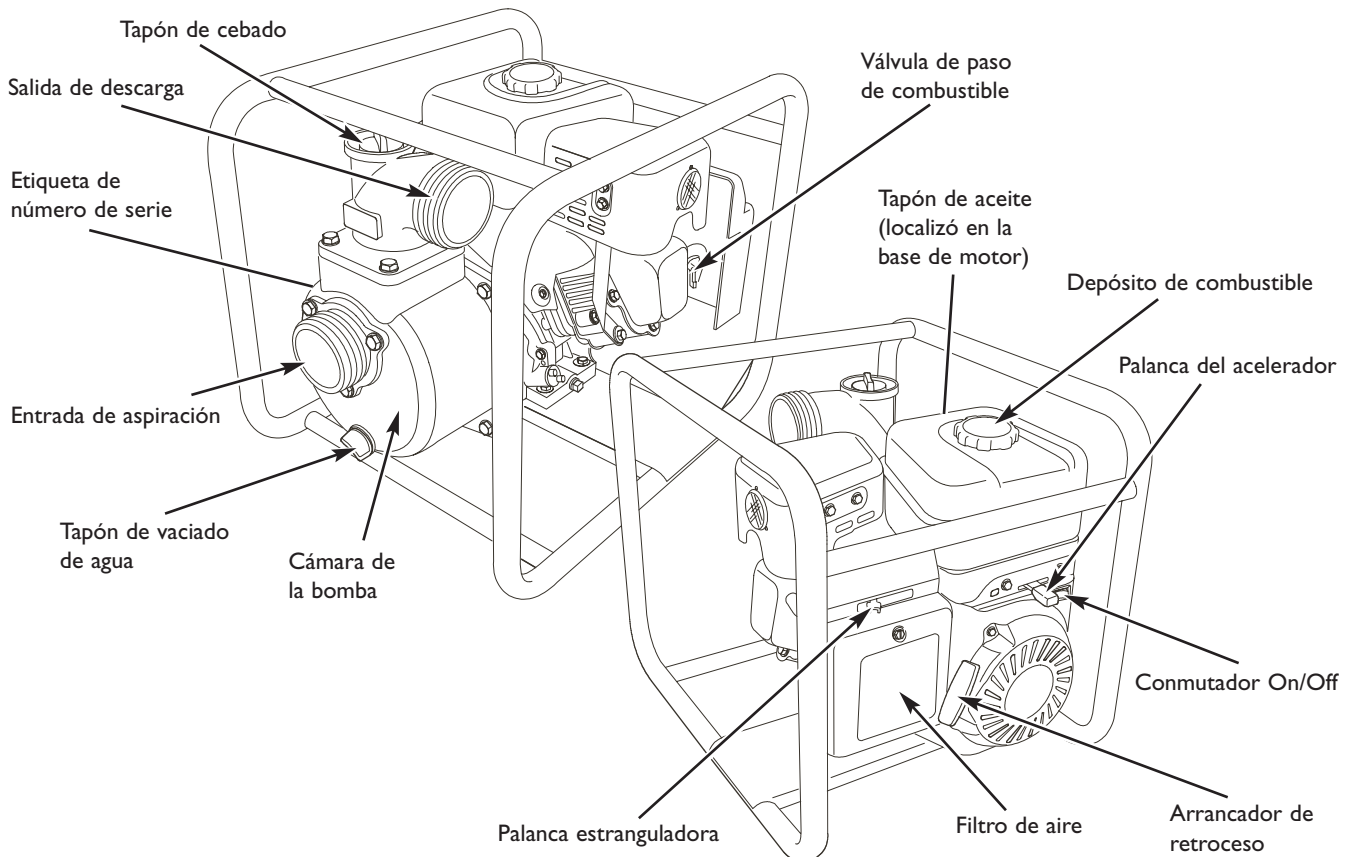
Tapón de vaciado de agua - Permite vaciar el agua de la bomba y limpiar los componentes internos con agua limpia.

Válvula de paso de combustible - Permite abrir y cerrar la alimentación de combustible al motor.

CONOZCA SU BOMBA DE AGUA - MODELO 073003

Lea este manual del propietario y las normas de seguridad antes de utilizar la bomba de agua.

Compare las ilustraciones con la bomba para familiarizarse con la situación de los distintos mandos y ajustes. Guarde este manual para futuras consultas.



Arrancador de retroceso - Permite arrancar el motor.

Cámara de la bomba - Asegúrese de llenarla de agua antes de la puesta en marcha.

Cesta del filtro (no mostrado) - Utilizado para limitar el pasaje de materias abrasivas en la bomba.

Depósito de combustible - 3,78 l (1 galón EE.UU.) de capacidad.

Entrada de aspiración - Conecte aquí la manguera de aspiración reforzada.

Etiqueta de número de serie - Indica los números de modelo, revisión y serie de la bomba de agua. Tenga esta información preparada si llama al servicio técnico.

Filtro de aire - Protege el motor filtrando el polvo y los residuos del aire de admisión.

Información de motor (no mostrado) - Estampado en la cubierta de válvula. Indica los números de modelo, tipo y recorta de la motor. Tenga esta información preparada si llama al servicio técnico.

Interruptor On/Off - Sitúe el interruptor en la posición "On" antes de utilizar el arrancador de retroceso. Sitúelo en la posición "Off" para parar el motor.

Palanca del acelerador - Permite regular la velocidad del motor para controlar el rendimiento de la bomba.

Palanca estranguladora - Se utiliza para arrancar un motor en frío.

Salida de descarga - Conecte aquí la manguera de descarga.

Tapón de cebado - Permite llenar la bomba de agua para cebarla antes de la puesta en marcha.

Tapón de aceite - Permite comprobar el nivel de aceite y llenar el motor.

Tapón de vaciado de agua - Permite vaciar el agua de la bomba y limpiar los componentes internos con agua limpia.

Válvula de paso de combustible - Permite abrir y cerrar la alimentación de combustible al motor.



MONTAJE

Antes de poder utilizar la bomba, es necesario montarla y llenarla con el aceite y el combustible recomendados.

En caso de dudas sobre el montaje de la bomba de agua, llame a la línea de asistencia **1-800-743-4115**. Tenga preparados los números de modelo, revisión y serie, que figuran en la etiqueta de número de serie.

Desembalaje de la bomba de agua

1. Saque todo el contenido de la caja de cartón, a excepción de la bomba de agua.
2. Abra completamente la caja de cartón cortando cada una de sus esquinas de arriba abajo.

Contenido de la caja

La caja incluye los siguientes elementos:

- Bomba de agua
- Botella de aceite
- Bolsa de piezas con el siguiente contenido:
 - Este manual del propietario
 - Cesta y conector del filtro
 - Conector de la manguera (2)
 - Puño del conector (2)
 - Junta de goma (2)
 - Abrazadera de la manguera (3)
 - Juego antivibración (incluye 4 de cada) (modelos 073002 y 073003 sólo):
 - Soporte antivibración
 - Perno
 - Arandela
 - Contratuerca
 - Hoja de instrucciones

Si alguna de estas piezas falta o está dañada, llame a la línea de asistencia **1-800-743-4115**.

Fijación de los soportes antivibración

Para modelos 073002 y 073003, necesitará las siguientes herramientas para fijar los soportes antivibración:

- Llave de 10 mm
- Llave de cubo de 10 mm

Fije los soportes antivibración a la bomba de agua tal como se muestra en la hoja de instrucciones incluida en el juego antivibración.

IMPORTANTE: Fije los soportes antivibración antes de añadir el aceite del motor y el combustible.

Añadir aceite del motor




¡PRECAUCIÓN! Si intenta arrancar el motor antes de llenarlo con el aceite recomendado, puede provocar una avería.

1. Coloque la bomba de agua en una superficie plana y nivelada.
2. Limpie la zona de alrededor del orificio de llenado de aceite y quite el tapón amarillo.
3. Con la ayuda de un embudo (opcional), vierta lentamente todo el contenido de la botella de aceite (0,53 l - 18 onzas) por el orificio de llenado de aceite.
4. Vuelva a colocar el tapón y apriételo firmemente.

NOTA: Consulte la sección "Aceite", en la página 65, para ver las recomendaciones relativas al aceite.

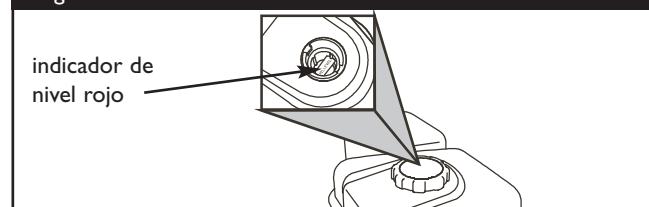
Añadir combustible

NOTA: Este motor está certificado para funcionar con gasolina. Sistema de control de emisiones de gases de escape: EM (Modificaciones del motor).

 ADVERTENCIA	
	El combustible y sus vapores son extremadamente inflamables y explosivos.
	El fuego y las explosiones pueden causar quemaduras graves o incluso la muerte.
CUANDO AÑADA COMBUSTIBLE	
<ul style="list-style-type: none">• Pare la bomba de agua y déjela enfriar durante al menos 2 minutos antes de quitar el tapón de combustible. Afloje lentamente el tapón para eliminar la presión del depósito.• Llene el depósito de combustible a la intemperie.• NO llene en exceso el depósito. Deje espacio para permitir la expansión del combustible.• Mantenga el combustible alejado de chispas, llamas, fuentes de calor y otras fuentes de ignición.• NO encienda cigarrillos ni fume.	

1. Utilice gasolina normal SIN PLOMO, limpia y nueva con un mínimo de 85 octanos. NO utilice combustible que contenga metanol. NO mezcle aceite con combustible.
2. Limpie la zona de alrededor del tapón de llenado de combustible y quite el tapón.
3. Añada lentamente gasolina normal sin plomo al depósito. Llene hasta el indicador de nivel rojo (Figura 41). NO añada combustible en exceso.

Figura 41 - Añada combustible hasta el indicador



4. Vuelva a colocar el tapón y limpie todo resto de combustible.

¡PRECAUCIÓN! Algunos combustibles llamados oxigenados o reformulados están mezclados con alcohol o éter. El exceso de este tipo de mezclas puede dañar el sistema de combustible y provocar otros problemas de funcionamiento. En caso de anomalías durante el funcionamiento, utilice un combustible con menor proporción de alcohol o éter.

El uso de combustible nuevo evita la formación de residuos en el sistema de combustible y en las piezas esenciales del carburador. Compre el combustible que vaya a gastar en 30 días.

Fijación de la manguera de aspiración

Necesitará la siguiente herramienta para fijar las mangueras a la bomba de agua:

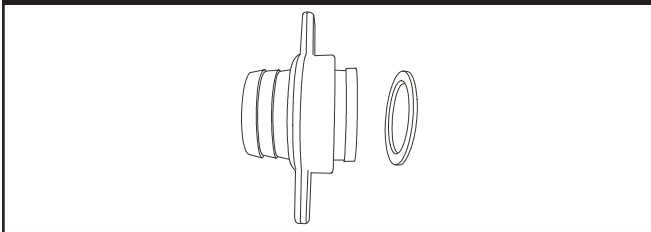
- Destornillador normal de 1/4" o 6 mm

Conexión de la manguera de aspiración a la bomba

Utilice una manguera de aspiración normal de pared no plegable o reforzada con material trenzado. NO utilice una manguera cuyo diámetro interior sea inferior al del orificio de aspiración de la bomba.

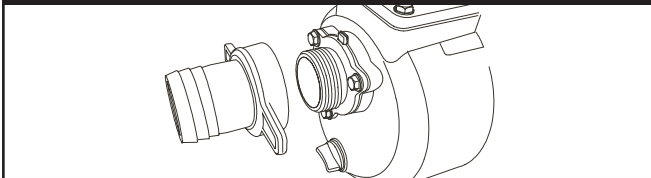
1. Introduzca el conector de la manguera por el puño del conector. Inserte la junta de goma en el extremo del puño del conector (Figura 42).

Figura 42 . Monte el conector de la manguera



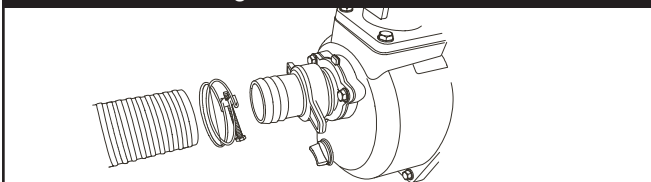
2. Enrosque el conjunto del conector de la manguera en la bomba hasta apretarlo firmemente (Figura 43).

Figura 43 - Conecte el conector de la manguera a la bomba



3. Introduzca el extremo de la manguera en la abrazadera de la manguera. Introduzca la manguera de aspiración en el conector de la manguera (Figura 44). Apriete firmemente la abrazadera con un destornillador normal de 1/4" (6 mm).

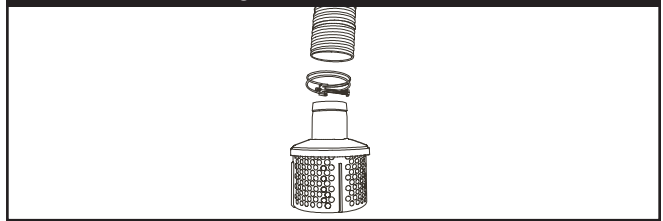
Figura 44 - Conecte la manguera de aspiración al conector de la manguera



Conexión de la manguera a la cesta del filtro

Introduzca la manguera en la abrazadera de la manguera. Conecte el extremo abierto de la manguera de aspiración en el conector de la manguera del filtro (Figura 45). Apriete firmemente la abrazadera con un destornillador normal de 1/4" (6 mm).

Figura 45 - Conecte la manguera de aspiración al conector de la manguera del filtro

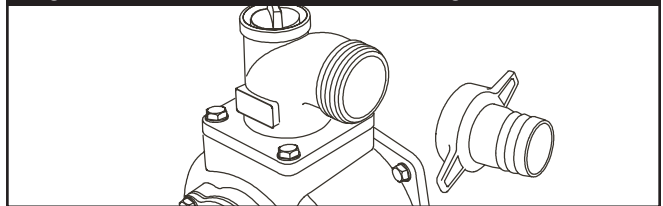


Conexión de la manguera de descarga (opcional)

Si lo desea, utilice una manguera adquirida en un establecimiento comercial. NO utilice una manguera cuyo diámetro interior sea inferior al del orificio de descarga de la bomba.

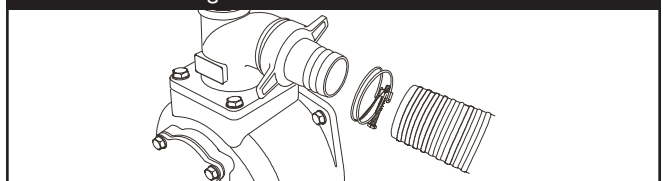
1. Introduzca el conector de la manguera por el puño del conector. Inserte la junta de goma en el extremo del puño del conector (Figura 42).
2. Enrosque el conjunto del conector de la manguera en la bomba hasta apretarlo firmemente (Figura 46).

Figura 46 - Conecte el conector de la manguera a la bomba



3. Introduzca el extremo de la manguera de descarga en la abrazadera de la manguera. Introduzca la manguera de descarga en el conector de la manguera (Figura 47). Apriete firmemente la abrazadera con un destornillador normal de 1/4" (6 mm).

Figura 47 - Conecte la manguera de descarga al conector de la manguera



USO DE LA BOMBA DE AGUA

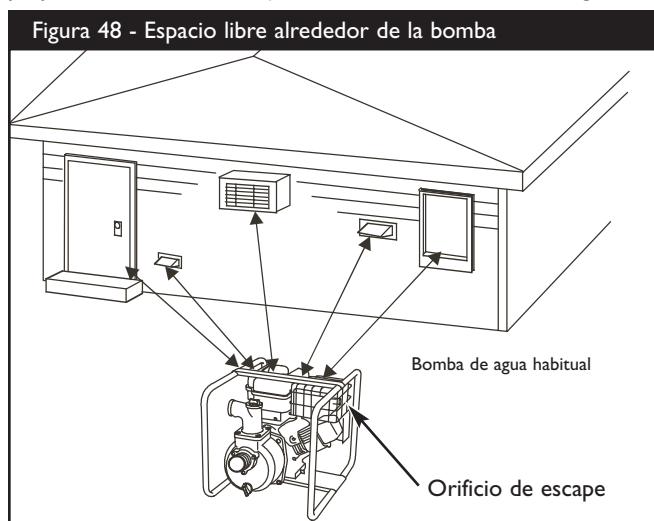
Consideraciones para un uso seguro

Espacio libre y circulación de aire

	ADVERTENCIA
	<p>La bomba de agua en funcionamiento produce monóxido de carbono, un gas venenoso inodoro e incoloro. La inhalación de monóxido de carbono puede provocar náuseas, desmayos o incluso la muerte.</p> <ul style="list-style-type: none"> • Utilice la bomba de agua SÓLO a la intemperie. • Evite que los gases de escape entren en un espacio cerrado a través de las ventanas, puertas, tomas de aire de ventilación u otras aberturas. • NO utilice la bomba de agua en el interior de un edificio, recinto o espacio cerrado (por ejemplo, sótanos, garajes o lugares similares), aunque haya ventanas o puertas abiertas.

La bomba de agua debe mantenerse a una distancia mínima de 1,5 m (5 pies) de toda estructura con muros o materiales combustibles. Mantenga un mínimo de 92 cm (3 pies) alrededor de la bomba de agua, incluida la parte superior, para facilitar la refrigeración y el mantenimiento de la bomba.

NO instale la bomba de agua en lugares en los que los gases de escape se puedan acumular o entrar en un edificio que pueda estar ocupado. Asegúrese de que los gases de escape no puedan entrar por ventanas, puertas, tomas de aire de ventilación u otras aberturas en un espacio cerrado en el que puedan acumularse (Figura 48). Tenga en cuenta los vientos y las corrientes de aire preponderantes cuando elija la ubicación de la bomba de agua.



¿Qué es la "altura total"?

La altura total es la altura de la columna de agua que puede generar la descarga de la bomba.

La altura de aspiración es la distancia vertical entre el centro de la bomba y la superficie del líquido en el lado de la succión de la bomba. Se puede referir también a como "ascensor de succión". La presión atmosférica de 14,7 psi en nivel del mar limita la succión ascensor de cabeza a menos que aproximadamente 26 pies para cualquier bomba.

La altura de descarga es la distancia vertical entre el puerto de la descarga de bomba y el punto de la descarga, que es la superficie líquida si la manga se sumerge o bombeando en el fondo de un tanque.

La altura total es la suma del valor de cabeza de succión más el valor de cabeza de descarga.

A medida que aumenta la altura del bombeo de agua, se reduce el rendimiento de la bomba. La longitud, el tipo y el tamaño de las mangueras de aspiración y descarga también pueden afectar en gran medida al rendimiento de la bomba.

La capacidad de descarga de agua es siempre superior a la de aspiración, por lo que es importante que la aspiración sea la parte más corta de la acción de bombeo. Esto reducirá el tiempo de cebado y mejorará el rendimiento de la bomba aumentando la altura total de descarga.

La altura de aspiración debe ser de 8 m (25 pies) como máximo, y la altura de descarga, de 25 m (81 pies). La altura total no puede superar 32 m (106 pies) (Figura 49).

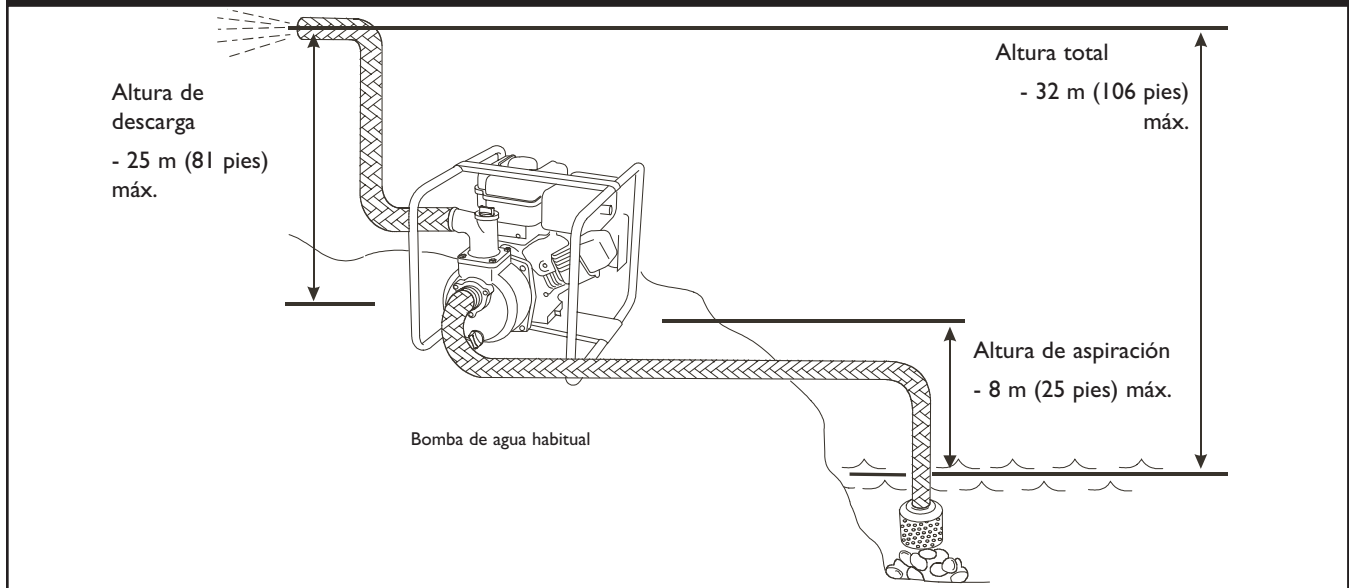
Colocación de la bomba de agua en una posición segura

Para mejorar el rendimiento de la bomba, ubíquela en una superficie plana y nivelada, lo más cerca posible del agua bombeada. Asegure la bomba de agua para impedir su caída. No utilice mangueras más largas de lo necesario.

IMPORTANTE: No dirija el extremo abierto de la manguera de descarga hacia edificios, aparatos eléctricos u otros elementos que no desee mojar.

	ADVERTENCIA
	El combustible y sus vapores son extremadamente inflamables y explosivos.
	El fuego y las explosiones pueden causar quemaduras graves o incluso la muerte.
CUANDO UTILICE EL EQUIPO	
<ul style="list-style-type: none"> • Este bomba de agua no es apto para el uso en equipos móviles ni en aplicaciones marinas. • NO incline el motor ni el equipo de forma que pueda derramarse el combustible. • Asegure la bomba de agua. Las cargas de las mangueras pueden provocar la caída de la bomba. 	

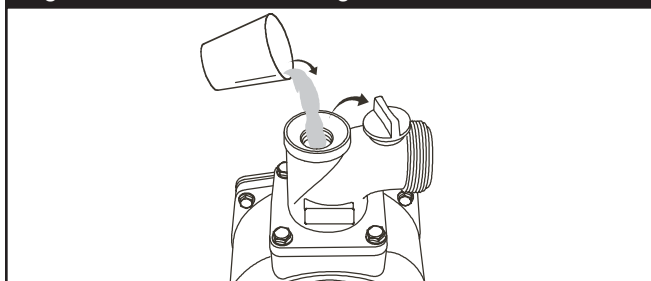
Figura 49 - Altura



Cebado de la bomba de agua

1. Quite el tapón de la parte superior de la bomba (Figura 50).

Figura 50 - Ceba la bomba de agua



2. Llene la bomba con agua limpia y clara hasta la parte superior del orificio de descarga (Figura 50).

PRECAUCIÓN

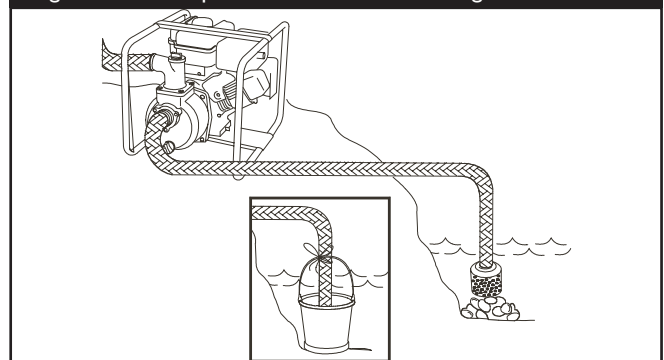
Un tratamiento inadecuado de la bomba de agua puede estropearla y acortar su vida útil.

- Asegúrese de que la cámara de la bomba esté llena de agua antes de arrancar el motor. NUNCA utilice la bomba sin cebarla previamente.
3. Vuelva a colocar el tapón de la bomba.

Colocación de la cesta del filtro en la fuente de agua

Coloque la cesta del filtro en el agua de bombeo. La cesta debe quedar totalmente sumergida (Figura 51).

Figura 51 - Coloque la cesta del filtro en el agua



PRECAUCIÓN

Un tratamiento inadecuado de la bomba de agua puede estropearla y acortar su vida útil.

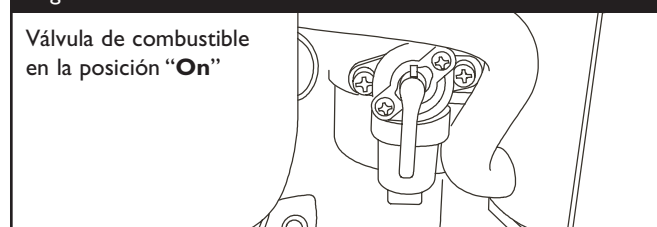
- NUNCA utilice la bomba sin un filtro en el extremo de la manguera de aspiración.
- Evite el contacto del filtro con la arena o el cieno, colóquelo en un cubo o sobre unas piedras.
- EVITE que la bomba funcione en seco para no dañar las juntas.

Puesta en marcha de la bomba de agua

Siga las siguientes instrucciones de puesta en marcha:

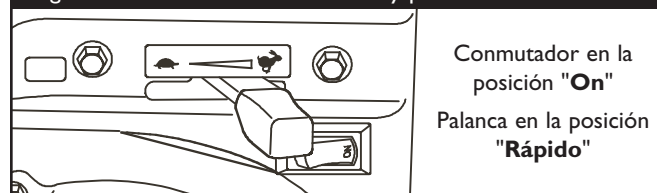
1. Asegúrese de que la unidad está ubicada en una superficie plana y nivelada y de que la cámara se ha cebado.
2. Sitúe la válvula de combustible blanca en la posición "On" (Figura 52). El tirador de la válvula de combustible quedará en posición vertical, apuntando hacia el suelo.

Figura 52 - Válvula de combustible



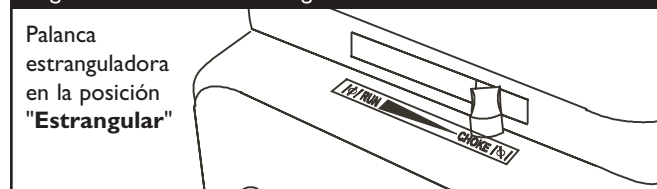
3. Sitúe el conmutador "On/Off" en la posición "On" (Figura 53).

Figure 53 — Conmutador ON/OFF y palanca de velocidad



4. Mueva la palanca de velocidad del motor hasta la posición "Rápido" (↗) (Figura 53).
5. Mueva la palanca estranguladora hasta la posición "Estrangular" (| \ |) (Figura 54).

Figure 14 — Palanca estranguladora



6. Agarre el asa del arrancador de retroceso y tire lentamente hasta notar una ligera resistencia. A continuación, tire rápidamente del asa para vencer la compresión, evitar el retroceso y arrancar.

⚠ ADVERTENCIA



El rápido repliegue del cable del arrancador (retroceso) impedirá que el usuario suelte el cable a tiempo y tirará de su mano y brazo hacia el motor. Como resultado, podrían producirse fracturas, contusiones o esguinces.

- Cuando arranque el motor, tire lentamente del cable hasta sentir una resistencia y, a continuación, tire rápidamente de él para evitar su retroceso.

IMPORTANTE: Si el motor se ahoga, sitúe la palanca estranguladora en la posición "Funcionamiento" y tire del asa repetidamente hasta que el motor arranque.

7. Mueva poco a poco la palanca estranguladora hacia la posición "Funcionamiento" (| |) a intervalos de segundos (tiempo cálido) o minutos (tiempo frío). Espere a que el motor funcione suavemente antes de cada cambio. Utilice la bomba con la palanca estranguladora en la posición "Funcionamiento".

IMPORTANTE: La bomba puede necesitar que transcurran varios minutos para empezar a bombear agua.

⚠ ADVERTENCIA



El motor en funcionamiento genera calor. La temperatura del silenciador y de las zonas cercanas puede alcanzar o superar los 65 °C (150 °F)



En caso de contacto, se pueden producir quemaduras graves.

Los residuos como hojas, hierba, maleza, etc. se pueden inflamar.

- NO toque las superficies calientes y evite los gases del escape a alta temperatura.
- Deje que el equipo se enfríe antes de tocarlo.
- La bomba de agua debe mantenerse a una distancia mínima de 1,5 m (5 pies) de toda estructura con muros o materiales combustibles.
- Deje un espacio libre mínimo de 1 metro (3 pies) alrededor de la bomba de agua para facilitar la refrigeración, las reparaciones y las tareas de mantenimiento.
- El calor que refleja el escape podría dañar el depósito de combustible y provocar un incendio.
- El Código de Normativa Federal (CFR, Título 36: Parques, Bosques y Propiedad Pública) obliga a instalar una pantalla apagachispas en los equipos con motor de combustión interno y a mantenerla en buenas condiciones de funcionamiento, conforme a la norma 5100-1C (o posterior) del Servicio Forestal de la USDA. En el Estado de California, la ley exige el uso de una pantalla apagachispas (Sección 4442 del Código de Recursos Públicos de California). En otros estados puede haber leyes similares en vigor.

El rendimiento de la bomba se controla regulando la velocidad del motor. Mueva la palanca de velocidad del motor hacia la posición "Rápido" para aumentar el rendimiento del motor. Si la mueve hacia la posición "Lento", reducirá el rendimiento del motor.

Parada de la bomba de agua

1. Mueva la palanca de velocidad del motor hasta la posición "Lento" (🐢) (Figura 53).
2. Sitúe el conmutador "On/Off" en la posición "Off" (Figura 53).
3. Gire la válvula de combustible blanca hasta la posición "Off" (Figura 52).

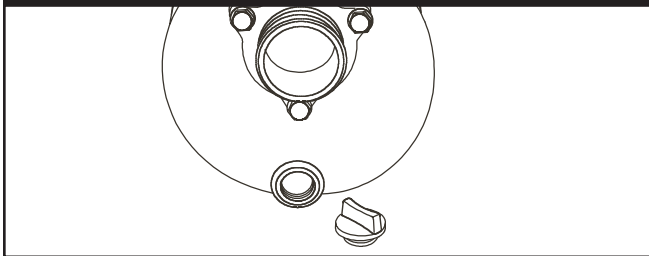
PRECAUCIÓN

NO coloque la palanca estranguladora en la posición "Choke" para parar el motor. El motor podría petardear, incendiarse o dañarse.

Vaciado y limpieza de la bomba de agua

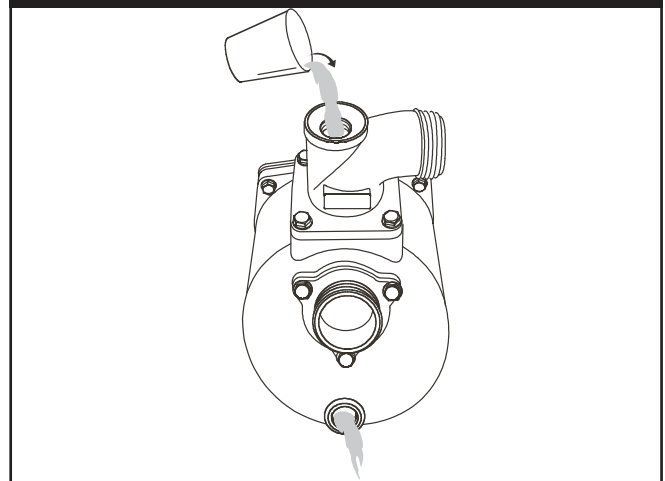
1. Desconecte y vacíe las mangueras de aspiración y descarga.
2. Quite el tapón de vaciado, situado en la parte inferior de la bomba (Figura 55).

Figure 55 — Quite el tapón de vaciado



3. Quite el tapón de la parte superior de la bomba y lave los componentes internos con agua limpia (Figura 56).

Figura 56 - Quite el tapón de la parte superior de la bomba y lave la bomba



4. Vuelva a colocar ambos tapones y apriételos con la mano.



INFORMACIÓN TÉCNICA SOBRE EL MOTOR

Las bombas de agua están equipadas con un motor de un solo cilindro, de válvula en cabeza (OHV) refrigerado por aire y de baja emisión.

En el Estado de California, estos motores han obtenido la certificación del California Air Resources Board (Consejo de recursos de aire de California) de cumplimiento de la normativa sobre emisiones durante 250 horas. Esta certificación no supone para el comprador, el propietario o el usuario ninguna garantía adicional en lo relativo al rendimiento y a la vida útil del motor. La garantía del motor se detalla en otra parte del presente manual.

Potencia nominal

Los valores de potencia nominal de un modelo de motor se establecen en primer lugar con el código J1940 (Procedimiento de valoración de potencia y par de pequeños motores, Revisión 2002-05) de la SAE (Society of Automotive Engineers, Sociedad de ingenieros de automoción). Dada la amplia variedad de productos que utilizan nuestros motores y la multitud de factores ambientales que pueden afectar a su funcionamiento, es posible que el motor que ha adquirido no llegue a desarrollar su potencia nominal cuando se utilice con un aparato mecánico (potencia real "in situ"). Esta diferencia se debe, entre otros, a los siguientes factores: diferencias de altitud, temperatura, presión barométrica, humedad, combustible, lubricación del motor, velocidad máxima controlada del motor, variaciones entre distintos motores del mismo modelo, diseño del equipo mecánico utilizado, manera de hacer funcionar el motor, rodaje del motor para reducir la fricción y limpiar las cámaras de combustión, ajustes de las válvulas y el carburador, etc. Los valores de potencia nominal también se puede ajustar en función de las comparaciones con otros motores similares utilizados en aplicaciones similares, por lo que no coincidirá necesariamente con los valores que se obtienen al aplicar los códigos mencionados.

ESPECIFICACIONES DEL PRODUCTO

Modelo 073001

Especificaciones de la bomba de agua

- Diámetro del orificio de aspiración50 mm (2 pulgadas)
- Diámetro del orificio de descarga50 mm (2 pulgadas)
- Altura total32 m (106 pies)
- Altura máxima
 - Altura de aspiración8 m (25 pies)
 - Altura de descarga25 m (81 pies)
- Capacidad máxima de descarga ..586 l (155 galones EE.UU.) por minuto
- Peso con embalaje57.6 kg (127 libras)

Especificaciones del motor

- Potencia nominal5,5 a 3600 rpm
- Diámetro de camisa68 mm (2,69 pulgadas)
- Carrera56 mm (2,2 pulgadas)
- Cilindrada206 cc (12,48 pulgadas)
- Bujía
 - Tipo:Champion RC12YC o equivalente
 - Distancia entre electrodos0,76 mm (0,03 pulgadas)
- Entrehierro del inducido: ..0,25-0,36 mm (0,010-0,014 pulgadas)
- Holgura de la válvula con muelles de válvula instalados y pistón de 6 mm (0,25 pulgadas) pasado el punto muerto superior de la carrera de compresión (comprobar con el motor en frío)
- Admisión0,10-0,15 mm (0,004-0,006 pulgadas)
- Escape0,23-0,28 mm (0,009-0,011 pulgadas)
- Capacidad de combustible3,78 l (1 galón EE.UU.)
- Capacidad de aceite0,6 l (20 onzas)
- Tipo de aceite:
 - Por encima de 4 °C (40 °F)SAE 30
 - Por debajo de 4 °C (40 °F)SAE 5W-30 ó 10W-30

NOTA: Para que el rendimiento sea óptimo, la carga de potencia no debe superar el 85% de la potencia nominal. La potencia del motor se reducirá un 3,5% por cada 300 m (1.000 pies) de altitud sobre el nivel del mar y un 1% por cada 5,6 °C (10 °F) por encima de 25 °C (77 °F). El funcionamiento será satisfactorio hasta un ángulo de inclinación de 15°.



Modelo 073002

Especificaciones de la bomba de agua

Diámetro del orificio de aspiración	.50 mm (2 pulgadas)
Diámetro del orificio de descarga	.50 mm (2 pulgadas)
Altura total	.32 m (106 pies)
Altura máxima	
Altura de aspiración	.8 m (25 pies)
Altura de descarga	.25 m (81 pies)
Capacidad máxima de descarga	.586 l (155 galones EE.UU.) por minuto
Peso con embalaje	.57.6 kg (127 libras)

Especificaciones del motor

Potencia nominal	.5,5 a 3600 rpm
Diámetro de camisa	.68 mm (2,69 pulgadas)
Carrera	.56 mm (2,2 pulgadas)
Cilindrada	.206 cc (12,48 pulgadas)
Bujía	
Tipo:	Champion RC12YC o equivalente
Distancia entre electrodos	.0,76 mm (0,03 pulgadas)
Entrehierro del inducido:	.0,25-0,36 mm (0,010-0,014 pulgadas)
Holgura de la válvula con muelles de válvula instalados y pistón de 6 mm (0,25 pulgadas) pasado el punto muerto superior de la carrera de compresión (comprobar con el motor en frío).	
Admisión	.0,10-0,15 mm (0,004-0,006 pulgadas)
Escape	.0,23-0,28 mm (0,009-0,011 pulgadas)
Capacidad de combustible	.3,78 l (1 galón EE.UU.)
Capacidad de aceite	.0,6 l (20 onzas)
Tipo de aceite:	
Por encima de 4 °C (40 °F)	SAE 30
Por debajo de 4 °C (40 °F)	SAE 5W-30 ó 10W-30

NOTA: Para que el rendimiento sea óptimo, la carga de potencia no debe superar el 85% de la potencia nominal. La potencia del motor se reducirá un 3,5% por cada 300 m (1.000 pies) de altitud sobre el nivel del mar y un 1% por cada 5,6 °C (10 °F) por encima de 25 °C (77 °F). El funcionamiento será satisfactorio hasta un ángulo de inclinación de 15°.

Modelo 073003

Especificaciones de la bomba de agua

Diámetro del orificio de aspiración	.76 mm (3 pulgadas)
Diámetro del orificio de descarga	.76 mm (3 pulgadas)
Altura total	.32 m (106 pies)
Altura máxima	
Altura de aspiración	.8 m (25 pies)
Altura de descarga	.25 m (81 pies)
Capacidad máxima de descarga	.908 l (240 galones EE.UU.) por minuto
Peso con embalaje	.57.6 kg (127 libras)

Especificaciones del motor

Potencia nominal	.6,5 a 3600 rpm
Diámetro de camisa	.68 mm (2,69 pulgadas)
Carrera	.56 mm (2,2 pulgadas)
Cilindrada	.206 cc (12,48 pulgadas)
Bujía	
Tipo:	Champion RC12YC o equivalente
Distancia entre electrodos	.0,76 mm (0,03 pulgadas)
Entrehierro del inducido:	.0,25-0,6 mm (0,010-0,014 pulgadas)
Holgura de la válvula con muelles de válvula instalados y pistón de 6 mm (0,25 pulgadas) pasado el punto muerto superior de la carrera de compresión (comprobar con el motor en frío).	
Admisión	.0,10-0,15 mm (0,004-0,006 pulgadas)
Escape	.0,23-0,28 mm (0,009-0,011 pulgadas)
Capacidad de combustible	.3,78 l (1 galón EE.UU.)
Capacidad de aceite	.0,6 l (20 onzas)
Tipo de aceite:	
Por encima de 4 °C (40 °F)	SAE 30
Por debajo de 4 °C (40 °F)	SAE 5W-30 ó 10W-30

NOTA: Para que el rendimiento sea óptimo, la carga de potencia no debe superar el 85% de la potencia nominal. La potencia del motor se reducirá un 3,5% por cada 300 m (1.000 pies) de altitud sobre el nivel del mar y un 1% por cada 5,6 °C (10 °F) por encima de 25 °C (77 °F). El funcionamiento será satisfactorio hasta un ángulo de inclinación de 15°.



PLAN DE MANTENIMIENTO

Observe los intervalos de horas o de calendario, lo que suceda antes. Se requiere un mantenimiento más frecuente al operar en condiciones adversas como se indica a continuación.

PLAN DE MANTENIMIENTO ANOTE LAS FECHAS A MEDIDA QUE LLEVE A CABO LAS OPERACIONES DE MANTENIMIENTO	FECHAS DE MANTENIMIENTO				FECHAS DE MANTENIMIENTO			
	TAREA DE MANTENIMIENTO	Antes de cada uso	Cada 25 horas o una vez al año	Cada 50 horas o una vez al año	Cada 100 horas o una vez al año			
Limpie los residuos	X							
Compruebe el nivel de aceite	X							
Cambie el aceite del motor			X ¹					
Revise el filtro de aire		X ²						
Revise la bujía				X				
Revise el apagachispas			X					
Limpie el sistema de refrigeración				X ²				
Prepare el almacenamiento	Si la unidad no se va a utilizar durante 30 o más días.							

- ¹ Cambie el aceite después de las primeras 5 horas de funcionamiento y, en lo sucesivo, cada 50 horas o una vez al año, lo que suceda antes. Cámbielo antes si el motor funciona en condiciones de suciedad o polvo.
- ² Sustitúyalo con más frecuencia en condiciones de suciedad o polvo.

Recomendaciones generales

El mantenimiento periódico mejorará el rendimiento y prolongará la vida útil de la bomba de agua. Acuda a un distribuidor autorizado de Briggs & Stratton para reparar la unidad.

La garantía de la bomba de agua no cubre los elementos sujetos a un uso indebido o negligente. Para hacer valer la garantía, el usuario deberá mantener la bomba conforme a las instrucciones de este manual.

Para mantener la bomba de agua en buen estado, será necesario realizar algunos ajustes periódicamente.

La totalidad de las reparaciones y los ajustes se deberán realizar al menos una vez por temporada. Siga las indicaciones del cuadro "Plan de mantenimiento".

NOTA: Limpie o cambie la bujía y cambie el filtro de aire una vez al año. Una bujía nueva y un filtro de aire limpio aseguran la mezcla adecuada de combustible y aire y contribuyen a mejorar el rendimiento del motor y a prolongar su vida útil.

Control de emisiones

Cualquier establecimiento o individuo especializado en la reparación de motores que no sean de automoción puede encargarse del mantenimiento, la sustitución y la reparación de los dispositivos y sistemas de control de emisiones. Consulte la garantía del sistema de control de emisiones, que se detalla en otra parte del presente manual.

Mantenimiento

El mantenimiento consiste en mantener limpia la bomba de agua. Guarde la unidad en un espacio limpio y seco, sin exceso de polvo, suciedad, humedad y vapores corrosivos. Las ranuras del aire de refrigeración del motor de la bomba de agua no deben quedar obstruidas por hojas ni por ningún otro tipo de suciedad o material.

NOTA: NO utilice una manguera de jardinería para limpiar el motor de la bomba. Podría entrar agua en el conducto de combustible y causar problemas.

Limpieza

Cada día, o antes de cada uso, examine la parte de alrededor y de debajo de la bomba en busca de signos de pérdida de aceite o combustible. Limpie los residuos acumulados en el interior y el exterior de la bomba. Mantenga limpias las conexiones, los muelles y los mandos del motor. Elimine los restos de combustible de la zona de alrededor y de encima del silenciador.

Mantenga limpios los componentes del motor para reducir el riesgo de sobrecalentamiento e ignición de los residuos acumulados.

- Utilice un trapo húmedo para limpiar las superficies exteriores.
- Utilice un cepillo de cerda suave para eliminar los restos de suciedad o aceite endurecidos.
- Utilice una aspiradora para eliminar los restos sueltos de suciedad.



- Utilice aire a baja presión (no superior a 25 psi) para eliminar la suciedad. Inspeccione las ranuras y aberturas de aire de refrigeración de la bomba de agua. Las aberturas deben estar limpias y despejadas.

Elimine toda acumulación de cieno y sedimentos del cuerpo de la bomba.

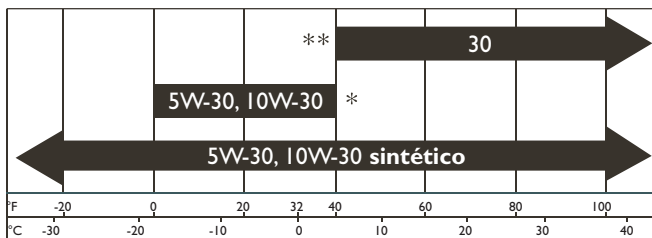
- Abra el tapón de cebado y retire el tapón de vaciado.
- Lave los componentes internos de la bomba con agua limpia.

Aceite

Recomendaciones sobre el aceite

NOTA: Cuando añada aceite al cárter del motor, utilice sólo aceite detergente de alta calidad con clasificación de servicio API SF, SG, SH, SJ o superior. NO utilice aditivos especiales.

1. Elija una viscosidad conforme a la siguiente tabla:



INTERVALO DE TEMPERATURAS DE ARRANQUE PREVISTAS ANTES DEL PRÓXIMO CAMBIO DE ACEITE

* El uso de aceites multiviscosidad (5W-30, 10W-30, etc.) a temperaturas superiores a 4 °C (40 °F) se traducirá en un consumo de aceite superior al normal. Si utiliza aceite multiviscosidad, compruebe el nivel con más frecuencia.

** El uso de aceite SAE 30 a temperaturas inferiores a 4 °C (40 °F) provocará dificultades de arranque y posibles daños en el interior del motor debidos a la deficiente lubricación.

NOTA: Todo aceite sintético que cumpla las especificaciones ILSAC GF-2, con marca de certificación API y con símbolo de servicio API con "SJ/CF ENERGY CONSERVING" o superior es un aceite aceptable a todas las temperaturas. El uso de aceite sintético no altera los intervalos de cambio de aceite indicados.

Comprobación del nivel de aceite

Compruebe el nivel de aceite antes de cada uso o cada 8 horas de funcionamiento, como mínimo. Rellene si es necesario.

1. Asegúrese de que la unidad esté en una superficie plana.
2. Quite el tapón de llenado de aceite y límpielo con un trapo.
3. Compruebe que el aceite llega hasta el punto de desbordamiento en el orificio de llenado.

Adición de aceite del motor

1. Asegúrese de que la unidad esté en una superficie plana.
2. Compruebe el nivel de aceite tal como se indica en la sección "Comprobación del nivel de aceite".
3. Si es necesario, vierta lentamente aceite por el orificio de llenado hasta el punto de desbordamiento en el tapón de llenado de aceite.

Cambio del aceite del motor

Cambie el aceite después de las 5 primeras horas de funcionamiento. Sucesivamente, cambie el aceite cada 50 horas. Si utiliza la bomba de agua en condiciones extremas de suciedad, polvo o calor, cambie el aceite con más frecuencia.



PRECAUCIÓN

Evite el contacto prolongado o repetido de la piel con el aceite usado del motor.

- El aceite usado provoca cáncer de piel en determinados animales de laboratorio.
- Lave perfectamente las partes expuestas con jabón y agua.



MANTENER FUERA DEL ALCANCE DE LOS NIÑOS. NO CONTAMINE. CONSERVE LOS RECURSOS. DEPOSITE EL ACEITE USADO EN UN PUNTO DE RECOGIDA.

Cambie el aceite cuando el motor siga estando caliente después de haber funcionado:

1. Asegúrese de que la unidad esté en una superficie plana.
2. Desconecte el cable de la bujía de ésta y colóquelo donde no pueda entrar en contacto con la bujía.



ADVERTENCIA



Las chispas involuntarias pueden provocar fuego o descargas eléctricas.



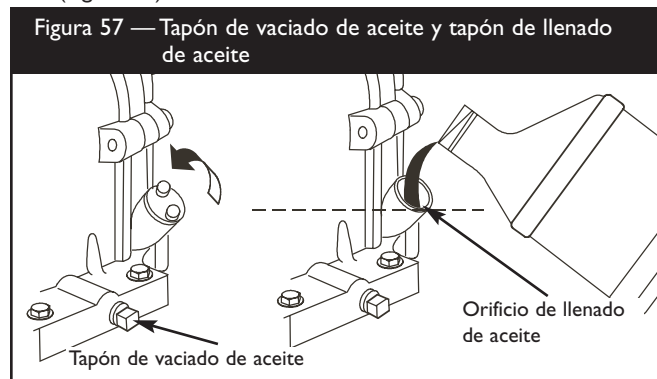
CUANDO AJUSTE O REPARE LA BOMBA DE AGUA

- Desconecte el cable de la bujía de ésta y colóquelo donde no pueda entrar en contacto con la bujía.

CUANDO PRUEBE LA BUJÍA DEL MOTOR

- Utilice un comprobador de bujías homologado.
- NO compruebe la chispa sin la bujía instalada.

3. Limpie la zona de alrededor del tapón de vaciado de aceite, situado en la base del motor, al otro lado del carburador (Figura 57).



4. Quite el tapón de llenado de aceite y vacíe todo el aceite en un recipiente adecuado.
5. Vuelva a colocar el tapón de vaciado y apriételo bien. Quite el tapón de llenado de aceite
6. Vierta lentamente unos 0,6 litros (20 onzas) de aceite por el orificio de llenado hasta el punto de desbordamiento (Figura 57). NO añada aceite en exceso.
7. Vuelva a colocar el tapón de llenado de aceite Apriételo firmemente a mano.
8. Limpie el aceite que se haya podido derramar.

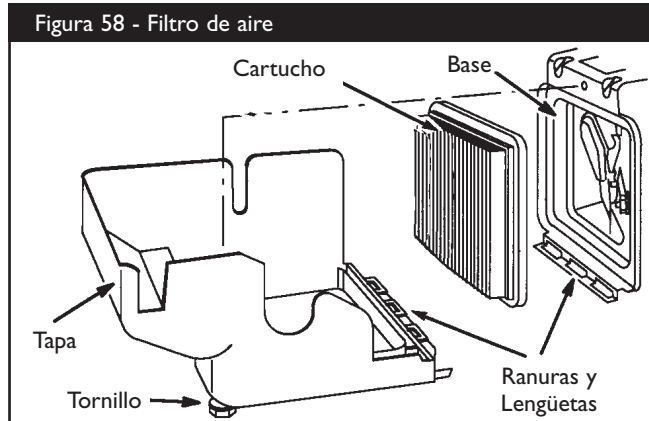
Revisión del filtro de aire

Si se utiliza con un filtro de aire sucio, el motor no funcionará correctamente y puede sufrir daños.

Cambie el filtro de aire cada 25 horas de funcionamiento o una vez al año, lo que suceda antes. Haga cambios más frecuentes si trabaja en zonas sucias o donde hay polvo.

Para revisar el filtro de aire, siga estos pasos:

1. Afloje el tornillo e incline la tapa hacia abajo (Figura 58).

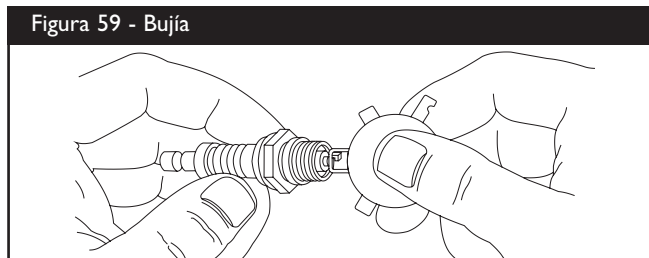


2. Retire con cuidado el conjunto del cartucho.
3. Para limpiar el cartucho, golpee suavemente el lado del papel plisado en una superficie plana.
4. Vuelva a instalar el cartucho limpio o nuevo dentro de la tapa.
5. Inserte las lengüetas de la tapa en las ranuras de la parte inferior de la base.
6. Incline la tapa hacia arriba y apriete firmemente el tornillo en la base.

Revisión de la bujía

Cambie la bujía cada 100 horas de funcionamiento o una vez al año, lo que suceda antes. Esta operación hará que el motor arranque más fácilmente y funcione mejor.

1. Limpie la zona de alrededor de la bujía.
2. Retire e inspeccione la bujía.
3. Compruebe la distancia entre electrodos con un calibre y, si es necesario, cámbiela a 0,76 mm (0,03 pulgadas) (Figura 59).



4. Cambie la bujía si los electrodos están picados o quemados o si la porcelana está agrietada. Utilice la bujía de repuesto recomendada.
5. Instale la bujía y apriete firmemente.

Limpieza de la pantalla apagachispas

El silenciador del escape del motor puede estar equipado con una pantalla apagachispas. Si es así, inspeccione y limpie la pantalla cada 50 horas de funcionamiento o una vez al año, lo que suceda primero.

Si utiliza la bomba de agua en un terreno boscoso, con maleza o cubierto de hierba, debe utilizar un apagachispas. El propietario y el usuario son responsables del buen estado del mismo.

ADVERTENCIA



Los motores en funcionamiento calientan el silenciador y las zonas próximas a temperaturas de 65°C (150°F) y superiores.



En caso de contacto, se pueden producir quemaduras graves. Los residuos como hojas, hierba, maleza, etc. se pueden inflamar.

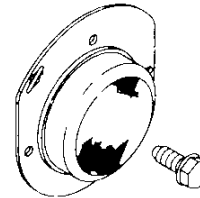
- NO toque las superficies calientes y evite los gases del escape a alta temperatura.
- Deje que el equipo se enfríe antes de tocarlo.
- La bomba de agua debe mantenerse a una distancia mínima de 1,5 m (5 pies) de toda estructura con muros o materiales combustibles.
- Deje un espacio libre mínimo de 1 metro (3 pies) alrededor de la bomba de agua para facilitar la refrigeración, las reparaciones y las tareas de mantenimiento.
- El calor que refleja el escape podría dañar el depósito de combustible y provocar un incendio.
- El Código de Normativa Federal (CFR, Título 36: Parques, Bosques y Propiedad Pública) obliga a instalar una pantalla apagachispas en los equipos con motor de combustión interno y a mantenerla en buenas condiciones de funcionamiento, conforme a la norma 5100-1C (o posterior) del Servicio Forestal de la USDA. En el Estado de California, la ley exige el uso de una pantalla apagachispas (Sección 4442 del Código de Recursos Públicos de California). En otros estados puede haber leyes similares en vigor.

Si el motor ha estado en funcionamiento, la temperatura del silenciador será muy elevada. Deje enfriar el silenciador antes de realizar ninguna operación en el apagachispas.

- Retire la pantalla del apagachispas para proceder a su limpieza e inspección (Figura 60).

Figura 60 - Apagachispas

Apagachispas de uso habitual



- Examine la pantalla y cámbiela si está rota o perforada o si presenta algún otro daño. NO utilice una pantalla que no esté en perfectas condiciones. Si la pantalla no presenta daños, límpiela con un disolvente comercial.
- Vuelva a montar la pantalla apagachispas en el silenciador.

NOTA: Puede adquirir una nueva pantalla apagachispas llamando al 1-800-743-4115.

Sistema de refrigeración de aire

Con el tiempo, se pueden acumular residuos en las aletas de refrigeración del cilindro y pasar inadvertidos mientras no se desmonte parcialmente el motor. Recomendamos que encargue la limpieza del sistema de refrigeración a un distribuidor autorizado de servicio Briggs & Stratton siguiendo los intervalos recomendados (consulte la sección "Plan de mantenimiento" en la página 64). Es igualmente importante que no se acumulen residuos en el motor. Consulte la sección "Limpieza".



ALMACENAMIENTO

La bomba de agua debe funcionar durante un mínimo de 30 minutos cada siete días, como mínimo. Si esta operación no es posible y necesita almacenar la unidad durante más de 30 días, utilice la siguiente información para prepararla.

Instrucciones de almacenamiento a largo plazo

Durante el almacenamiento, es importante evitar la formación de residuos en los componentes esenciales del circuito de combustible: carburador, filtro de combustible, manguera de combustible y depósito. La experiencia también indica que los combustibles con mezcla de alcohol (gasohol, etanol o metanol) pueden atraer la humedad y provocar la separación y formación de ácidos durante el almacenamiento. Los combustibles ácidos pueden dañar el circuito de combustible y el motor durante el almacenamiento.

Aditivo para el combustible

Si agrega un aditivo para el combustible, llene el depósito con combustible nuevo. Si sólo se llena parcialmente, el aire contenido en el depósito favorecerá el deterioro del combustible durante el almacenamiento. El motor y el combustible se pueden almacenar hasta 24 meses con aditivo.

- Agregue aditivo para el combustible conforme a las instrucciones del fabricante.
- Haga funcionar el motor a la intemperie durante 30 segundos para asegurarse de eliminar el combustible no tratado del carburador y sustituirlo por combustible tratado.

Si no se utiliza aditivo para combustible, vacíe el depósito de y haga funcionar el motor hasta que se agote el combustible restante.

ADVERTENCIA



El combustible y sus vapores son extremadamente inflamables y explosivos.



El fuego y las explosiones pueden causar quemaduras graves o incluso la muerte.

CUANDO GUARDE COMBUSTIBLE O EL EQUIPO CON COMBUSTIBLE EN EL DEPÓSITO

- Manténgalo alejado de calderas, estufas, calentadores de agua, secadoras de ropa y otros aparatos que utilicen pilotos luminosos u otras fuentes de ignición que pudieran inflamar los vapores de combustible.

CUANDO VACÍE EL COMBUSTIBLE

- Pare la bomba de agua y déjala enfriar durante al menos 2 minutos antes de quitar el tapón de combustible. Afloje lentamente el tapón para eliminar la presión del depósito.
- Vacíe el depósito de combustible a la intemperie.
- Mantenga el combustible alejado de chispas, llamas, fuentes de calor y otras fuentes de ignición.
- NO encienda cigarrillos ni fume.

Cambio de aceite

Vacíe el aceite del cárter cuando el motor aún esté caliente. Vuelva a llenar el cárter con el aceite recomendado.

Aceite en el interior del cilindro

- Quite la bujía y vierta aproximadamente 30 ml (1 onza) de aceite de motor limpio en el interior del cilindro.
- Coloque la bujía y tire lentamente del asa del arrancador para distribuir el aceite.



ADVERTENCIA



Las chispas involuntarias pueden provocar fuego o descargas eléctricas.



- NUNCA tire del asa del arrancador cuando la bujía no esté instalada.

Bomba de agua

1. Vacíe la bomba de agua tal como se indica en la sección "Vacío y limpieza de la bomba de agua".
2. Limpie la bomba de agua según se describe en "Limpieza".
3. Compruebe que las aberturas de la bomba de agua estén abiertas y despejadas.

Otras sugerencias para el almacenamiento

1. NO guarde el combustible de una temporada para otra.
2. Cambie el contenedor de combustible si éste empieza a oxidarse. El combustible contaminado provocará problemas en el motor.
3. Si es posible, guarde la unidad en un espacio interior y protéjala del polvo y la suciedad. **ASEGÚRESE DE VACIAR EL DEPÓSITO DE COMBUSTIBLE.**
4. Cubra la unidad con una funda adecuada que no retenga la humedad.



ADVERTENCIA



Las fundas para almacenamiento pueden ser inflamables.

- NO cubra una bomba de agua caliente con una funda para almacenamiento.
- Deje enfriar el equipo durante el tiempo necesario antes de cubrirlo.

5. Almacene la bomba de agua en una zona limpia y seca.



RESOLUCIÓN DE PROBLEMAS

Problema	Motivo	Solución
La bomba funciona pero descarga poca o ningún agua.	<ol style="list-style-type: none"> 1. La bomba no se ha cebado. 2. La manguera de aspiración está doblada, atascada o dañada, es demasiado larga o su diámetro es insuficiente. 3. El filtro no está totalmente sumergido en agua. 4. Fuga de aire en el conector de la manguera de aspiración. 5. Filtro obstruido. 6. La manguera de descarga está doblada o dañada, es demasiado larga o su diámetro es insuficiente. 7. Exceso de altura marginal. 8. La palanca de velocidad del motor está en la posición "Lento". 	<ol style="list-style-type: none"> 1. Llene la cámara de bomba con agua y cebe la bomba. 2. Cambie la manguera de aspiración. 3. Sumerja por completo en el agua el filtro y el extremo de la manguera de aspiración. 4. Cambie la arandela si está dañada. Apriete el conector de la manguera y la abrazadera. 5. Limpie los residuos del filtro. 6. Cambie la manguera de descarga. 7. Cambie la posición de la bomba y/o las mangueras para reducir la altura. 8. Mueva la palanca de velocidad del motor hasta la posición "Rápido".
El motor no arranca, no tiene potencia, arranca y funciona irregularmente o falla.	<ol style="list-style-type: none"> 1. El conmutador basculante está en la posición "Off". 2. La válvula de combustible está en la posición "Off". 3. El filtro de aire está sucio. 4. No queda combustible. 5. El combustible está viejo, contaminado o contiene agua. 6. El cable de la bujía no está conectado a ésta. 7. Bujía en mal estado. 8. El exceso de combustible en la mezcla de aire/combustible ahoga el motor. 9. La mezcla de combustible es demasiado rica. 10. Válvula de admisión atascada (abierta o cerrada). 11. El motor ha perdido compresión. 12. El carburador recibe una mezcla demasiado rica en gasolina o en aire. 	<ol style="list-style-type: none"> 1. Sitúe el conmutador en la posición "On". 2. Sitúe la válvula de combustible en la posición "On". 3. Limpie o cambie el filtro de aire. 4. Espere dos minutos y llene el depósito. 5. Vacíe el depósito de combustible y el carburador. Llene el depósito con combustible nuevo. 6. Conecte el cable a la bujía. 7. Sustituya la bujía. 8. Espere 5 minutos y vuelva a arrancar el motor. 9. Póngase en contacto con el servicio técnico autorizado. 10. Póngase en contacto con el servicio técnico autorizado. 11. Póngase en contacto con el servicio técnico autorizado. 12. Póngase en contacto con el servicio técnico autorizado.
El motor se para.	No queda combustible.	Espere dos minutos y llene el depósito.

GARANTÍA DEL SISTEMA DE CONTROL DE EMISIONES

Briggs & Stratton Corporation (B&S), el California Air Resources Board (CARB, Consejo de recursos de aire de California) y la United States Environmental Protection Agency (U.S. EPA, Agencia estadounidense de protección del medioambiente)

Garantía del sistema de control de emisiones (Garantía contra defectos, derechos y obligaciones del propietario)(Droits et obligations du propriétaire relatifs à la garantie contre les défauts)

Garantía contra defectos del sistema de control de emisiones de California, Estados Unidos y Canadá

California Air Resources Board (CARB), U.S. EPA y B&S le explican a continuación la garantía del sistema de control de emisiones de su pequeño motor para máquinas de servicio (SORE, Small Offroad Engine). En California, los modelos de pequeños motores para máquinas de servicio a partir del año 2006 deben estar diseñados, fabricados y equipados conforme a los exigentes estándares de lucha contra la contaminación del Estado. En otros lugares de Estados Unidos, los modelos de motores para máquinas de servicio con encendido por bujía a partir del año 1997 deben cumplir normas similares determinadas por la U.S. EPA. B&S debe garantizar el sistema de control de emisiones de su motor durante los períodos que se indican a continuación, siempre que no se haya hecho un uso indebido o negligente ni un mantenimiento inadecuado del pequeño motor para máquinas de servicio.

El sistema de control de emisiones incluye las siguientes piezas: carburador, filtro de aire, sistema de encendido, conducto de combustible, silenciador y convertidor catalítico. También puede incluir conectores y otros conjuntos relacionados con las emisiones.

Si se cumplen las condiciones de la garantía, B&S reparará el motor sin coste alguno, incluido el diagnóstico, las piezas y la mano de obra.

Cobertura de la garantía contra defectos del sistema de control de emisiones de Briggs & Stratton

Los pequeños motores para máquinas de servicio están garantizados contra defectos de las piezas de control de emisiones durante un período de dos años, conforme a las siguientes disposiciones. Si cualquier pieza del motor con cobertura es defectuosa, será reparada o sustituida por B&S.

Responsabilidades de la garantía del propietario

Como propietario del pequeño motor para máquinas de servicio, usted es responsable de la correcta realización de las operaciones de mantenimiento que se enumeran en las Instrucciones de uso y mantenimiento. B&S recomienda conservar todas las facturas relativas al mantenimiento del motor; pero B&S no puede denegar la garantía basándose únicamente en la falta de facturas o en la imposibilidad por parte del propietario de asegurar la correcta realización de todas las operaciones de mantenimiento.

Como propietario del pequeño motor para máquinas de servicio, debe ser consciente de que B&S puede denegar la cobertura de la garantía si el motor o uno de sus componentes falla debido a un uso indebido o negligente, un mantenimiento inadecuado o modificaciones no autorizadas.

Usted es responsable de presentar su pequeño motor para máquinas de servicio a un distribuidor autorizado de servicio B&S en el momento en que surja un problema. Las reparaciones cubiertas por la garantía se llevarán a cabo en un plazo razonable, no superior a 30 días en ningún caso.

En caso de preguntas sobre los derechos y responsabilidades relativos a la garantía, consulte con un representante de servicio de B&S llamando al 1-414-259-5262.

La garantía de emisiones es una garantía contra defectos. Los defectos se juzgan en función del rendimiento normal del motor. La garantía no dependerá de ninguna prueba de emisiones en funcionamiento.

Disposiciones de la garantía contra defectos del sistema de control de emisiones de Briggs & Stratton

A continuación se detallan las disposiciones concretas relativas a la Cobertura de la garantía contra defectos del sistema de control de emisiones. Se añaden a la garantía de motores de B&S para motores no regulados, que figura en el Manual del propietario.

1. Piezas garantizadas

La presente garantía cubre únicamente las piezas que se enumeran a continuación (piezas del sistema de control de emisiones) siempre que tales piezas estuvieran presentes en el motor adquirido.

- a. Sistema de regulación de combustible
 - Sistema de enriquecimiento para arranque en frío (estrangulador electrónico)
 - Carburador y piezas internas
 - Bomba de combustible
 - Conducto de combustible, acoplamiento del conducto de combustible, abrazaderas
- b. Sistema de inducción de aire
 - Filtro de aire
 - Colector de admisión
- c. Sistema de encendido
 - Bujía(s)
 - Sistema de encendido magnético
- d. Sistema catalizador
 - Convertidor catalítico
 - Colector de escape
 - Sistema de inyección de aire o válvula de impulso
- e. Elementos diversos utilizados en los sistemas anteriores
 - Válvulas y conmutadores de aspiración, temperatura, posición y temporizados
 - Conectores y unidades

2. Duración de la cobertura

B&S garantiza al propietario inicial y a cada comprador posterior que las piezas garantizadas no tendrán defectos de materiales ni de mano de obra que provoquen su fallo durante un período de dos años a partir de la fecha de entrega del motor a su comprador

3. Servicio gratuito

La reparación o sustitución de toda pieza garantizada se realizará sin cargo alguno para el propietario, incluido el trabajo de diagnóstico que permita determinar que la pieza garantizada es defectuosa, siempre que se realice en un distribuidor autorizado de servicio B&S. En el caso del servicio de garantía de emisiones, póngase en contacto con el distribuidor autorizado de servicio B&S, que figurará en las Páginas Amarillas, en la sección de "Motores de gasolina", "Gasolina, motores", "Cortacéspedes" o similar.

4. Solicitudes y exclusiones de cobertura

Las solicitudes de garantía se cumplimentarán con arreglo a las disposiciones de la Política de garantía de motores B&S. La cobertura no incluye los fallos de piezas garantizadas que no sean originales de B&S ni los fallos debidos al uso indebido o negligente o al mantenimiento inadecuado, conforme a las disposiciones de la Política de garantía de motores B&S. B&S no será responsable de la cobertura de fallos de piezas garantizadas provocados por el uso de piezas complementarias, no originales o modificadas.

5. Mantenimiento

Los fallos de toda pieza garantizada que no se deba sustituir como parte del plan de mantenimiento obligatorio o que sólo se deba inspeccionar periódicamente para proceder a su "reparación o cambio en caso de ser necesario" quedarán cubiertos durante el período de garantía. Los fallos de toda pieza garantizada que deba sustituirse como parte del mantenimiento obligatorio quedarán cubiertos únicamente durante el período comprendido entre la compra y la primera sustitución indicada en el plan de mantenimiento. En las operaciones de mantenimiento y reparación, se podrá utilizar cualquier pieza de recambio de rendimiento y durabilidad equivalentes. El propietario es responsable del cumplimiento de todas las operaciones de mantenimiento obligatorio que se definen en el manual del propietario de B&S.

6. Cobertura de daños derivados

La cobertura se ampliará a los fallos de cualquier componente del motor derivados del fallo de cualquier pieza garantizada y cubierta por la garantía.

Información sobre el período de durabilidad de las emisiones y el índice de aire en la etiqueta de emisiones del motor

Los motores con certificación de cumplimiento de la normativa sobre emisiones de nivel 2 del California Air Resources Board (CARB) deben mostrar información sobre el período de durabilidad de las emisiones y el índice de aire. El fabricante del motor ofrece esta información al consumidor mediante etiquetas de emisiones.

El **período de durabilidad de las emisiones** indica el número de horas durante las cuales el motor puede funcionar cumpliendo las normas sobre emisiones, siempre que se realicen las operaciones de mantenimiento que se detallan en las instrucciones de uso y mantenimiento. Se utilizan las siguientes categorías:

Moderado: El motor está certificado para cumplir la normativa sobre emisiones durante 125 horas de funcionamiento real.

Intermedio: El motor está certificado para cumplir la normativa sobre emisiones durante 250 horas de funcionamiento real.

Prolongado: El motor está certificado para cumplir la normativa sobre emisiones durante 500 horas de funcionamiento real.

Por ejemplo, un cortacésped con operario a pie se suele utilizar entre 20 y 25 horas al año. Por tanto, el **período de durabilidad de las emisiones** de un motor con clasificación **intermedia** equivaldría a 10-12 años.

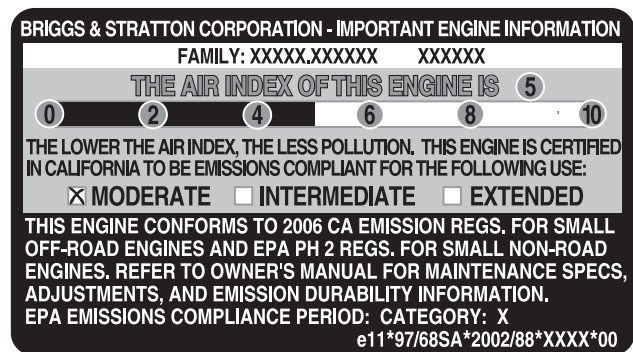
El **índice de aire** es un valor calculado que indica el nivel relativo de emisiones de una gama concreta de motores. Cuanto menor es el **índice de aire**, más limpio es el motor. Esta información se presenta en forma gráfica en la etiqueta de emisiones.

Período de cumplimiento de la normativa de emisiones en la etiqueta de cumplimiento de emisiones del motor

Desde el 1 de julio de 2000, algunos motores Briggs & Stratton cuentan con la certificación de cumplimiento de la fase 2 de las normas sobre emisiones de la United States Environmental Protection Agency (USEPA, Agencia estadounidense de protección del medioambiente). En el caso de los motores con certificación de fase 2, el período de cumplimiento de la normativa sobre emisiones que figura en la etiqueta de cumplimiento de emisiones indica el número de horas de funcionamiento durante las cuales el motor ha demostrado cumplir los requisitos federales sobre emisiones. Para motores de menos de 225 cc, Categoría C = 125 horas, B = 250 horas y A = 500 horas. Para motores de 125 cc o más, Categoría C = 250 horas, B = 500 horas y A = 1000 horas.

La clasificación de este motor es intermedia, con un índice de aire de 2. El período de cumplimiento de la normativa sobre emisiones de la EPA es de categoría B. El motor tiene una cilindrada de 206 cc.

A continuación se muestra una representación genérica de la etiqueta de emisiones típica de un motor certificado.



POLÍTICA DE GARANTÍA PARA EL PROPIETARIO DE UNA BOMBA DE AGUA BRIGGS & STRATTON POWER PRODUCTS GROUP, LLC

Fecha de entrada en vigor: 1 de julio de 2005. Sustituye a todas las garantías sin fecha y a las de fecha anterior al 1 de julio de 2005.

GARANTÍA LIMITADA

Briggs & Stratton Power Products Group, LLC reparará o sustituirá sin cargo alguno cualquier componente de la bomba de agua que presente defectos de materiales y/o mano de obra. Los gastos de transporte de las piezas enviadas para reparar o sustituir conforme a los términos de esta garantía correrán a cargo del comprador. El período de vigencia y las condiciones de esta garantía son los que se estipulan a continuación. Para obtener servicio en garantía, localice el distribuidor de servicio autorizado más próximo en nuestro mapa de distribuidores, en www.briggspowerproducts.com.

NO EXISTE NINGUNA OTRA GARANTÍA EXPLÍCITA. LAS GARANTÍAS IMPLÍCITAS, INCLUIDAS LAS DE COMERCIABILIDAD O IDONEIDAD PARA UN FIN CONCRETO, SE LIMITAN A UN AÑO A PARTIR DE LA FECHA DE COMPRA O AL LÍMITE DE TIEMPO PERMITIDO POR LA LEY. QUEDAN EXCLUIDAS TODAS LAS GARANTÍAS IMPLÍCITAS QUEDA EXCLUIDA LA RESPONSABILIDAD POR DAÑOS SECUNDARIOS Y DERIVADOS HASTA EL LÍMITE PERMITIDO POR LA LEY. Algunos países o estados no permiten limitar la duración de una garantía implícita ni excluir o limitar los daños secundarios y derivados. Por tanto, es posible que las limitaciones y exclusiones mencionadas no sean aplicables en su caso. Esta garantía le otorga determinados derechos legales y es posible que tenga otros derechos que pueden variar de un país o estado a otro.

PERÍODO DE GARANTÍA

Uso del consumidor

2 años

Uso comercial

1 año

El período de garantía comienza en la fecha de compra del primer consumidor o usuario comercial final y se prolonga durante el tiempo especificado anteriormente. "Uso del consumidor" significa uso doméstico personal por parte de un consumidor final. "Uso comercial" significa cualquier otro uso, incluidos los usos con fines comerciales, de generación de ingresos o alquiler. Una vez que el equipo se haya usado con fines comerciales, se considerará como equipo de uso comercial a efectos de esta garantía.

NO ES NECESARIO REGISTRAR LA GARANTÍA PARA OBTENER SERVICIO DE BRIGGS & STRATTON PRODUCTS. GUARDE SU RECIBO DE COMPRA. SI NO APORTA LA PRUEBA DE LA FECHA DE COMPRA INICIAL EN EL MOMENTO DE SOLICITAR EL SERVICIO EN GARANTÍA, SE UTILIZARÁ LA FECHA DE FABRICACIÓN DEL PRODUCTO PARA DETERMINAR EL PERÍODO DE GARANTÍA.

ACERCA DE LA GARANTÍA

Esperamos que disfrute de nuestra garantía y le pedimos disculpas por las molestias causadas. Cualquier distribuidor de servicio autorizado puede llevar a cabo reparaciones en garantía. La mayoría de las reparaciones en garantía se gestionan normalmente, pero algunas veces la solicitud de servicio en garantía puede no ser procedente. Por ejemplo, la garantía no será válida si el equipo presenta daños debidos al mal uso, la falta de mantenimiento, el transporte, la manipulación, el almacenamiento o la instalación inadecuados. De manera similar, la garantía quedará anulada si se ha borrado la fecha de fabricación o el número de serie de la bomba de agua o del motor, o si el equipo ha sido alterado o modificado. Durante el período de garantía, el distribuidor de servicio autorizado podrá reparar o sustituir, a su libre elección, cualquier pieza que, previa inspección, sea defectuosa en condiciones normales de uso y servicio. Esta garantía no cubre las reparaciones y los equipos que se detallan a continuación:

- **Desgaste normal.** Al igual que cualquier otro aparato mecánico, los equipos de uso en exteriores necesitan piezas y mantenimiento periódicos para funcionar correctamente. Esta garantía no cubre las reparaciones cuando el uso normal haya agotado la vida útil de una pieza concreta del equipo.
- **Instalación y mantenimiento.** Esta garantía no cubre los equipos ni las piezas cuya instalación sea incorrecta o no haya sido autorizada, ni aquellos que hayan sido objeto de cualquier tipo de alteración, mal uso, negligencia, accidente, sobrecarga, exceso de velocidad o mantenimiento, reparación o almacenamiento inadecuados que, a nuestro juicio, haya afectado negativamente a su funcionamiento y su fiabilidad. La garantía tampoco cubre el mantenimiento normal, como los filtros de aire, los ajustes y la limpieza o la obstrucción del sistema de combustión (debido a materias químicas, suciedad, etc.).
- **Otras exclusiones.** Esta garantía excluye los elementos sujetos a desgaste, como las juntas, las juntas tóricas, etc. También excluye las bombas que hayan funcionado sin agua o que hayan sufrido daños derivados de la congelación o el uso de productos químicos. La garantía de la bomba sólo cubre las aplicaciones con agua limpia, ya que ciertos componentes sufren un mayor desgaste cuando aumenta el porcentaje y el grado abrasivo de los sedimentos que pasan por la bomba. Los accesorios, como mangueras y filtros, quedan excluidos de la garantía del producto. Esta garantía excluye los fallos debidos a hechos fortuitos y a otros acontecimientos de fuerza mayor que escapen al control del fabricante.

BRIGGS & STRATTON POWER PRODUCTS GROUP, LLC
JEFFERSON, WI, EE.UU.

198260S, Rev 0, 07/06/2005

Free Manuals Download Website

<http://myh66.com>

<http://usermanuals.us>

<http://www.somanuals.com>

<http://www.4manuals.cc>

<http://www.manual-lib.com>

<http://www.404manual.com>

<http://www.luxmanual.com>

<http://aubethermostatmanual.com>

Golf course search by state

<http://golfingnear.com>

Email search by domain

<http://emailbydomain.com>

Auto manuals search

<http://auto.somanuals.com>

TV manuals search

<http://tv.somanuals.com>