



ELITE Series™

PORTABLE GENERATORS

Illustrated Parts List

Questions? Help is just a moment away!
Preguntas? La ayuda es justa un momento lejos!

Call: **Generator Helpline**

Llame: **Línea Directa del Generador**

1-800-743-4115 M-F 8-5 CT

BRIGGSandSTRATTON.COM

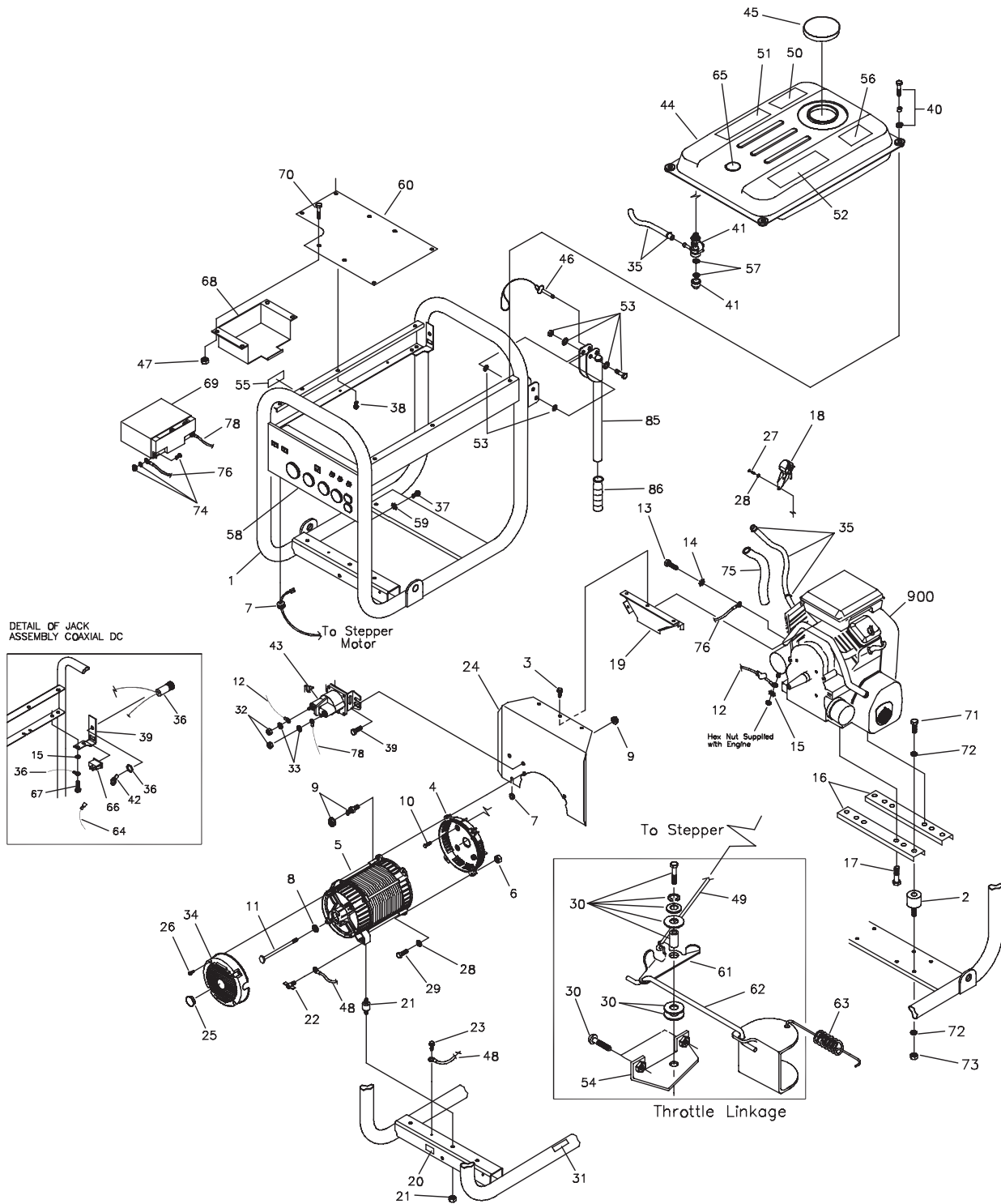
030384
(10000W)



BRIGGS & STRATTON POWER PRODUCTS GROUP, LLC
JEFFERSON, WISCONSIN, U.S.A.

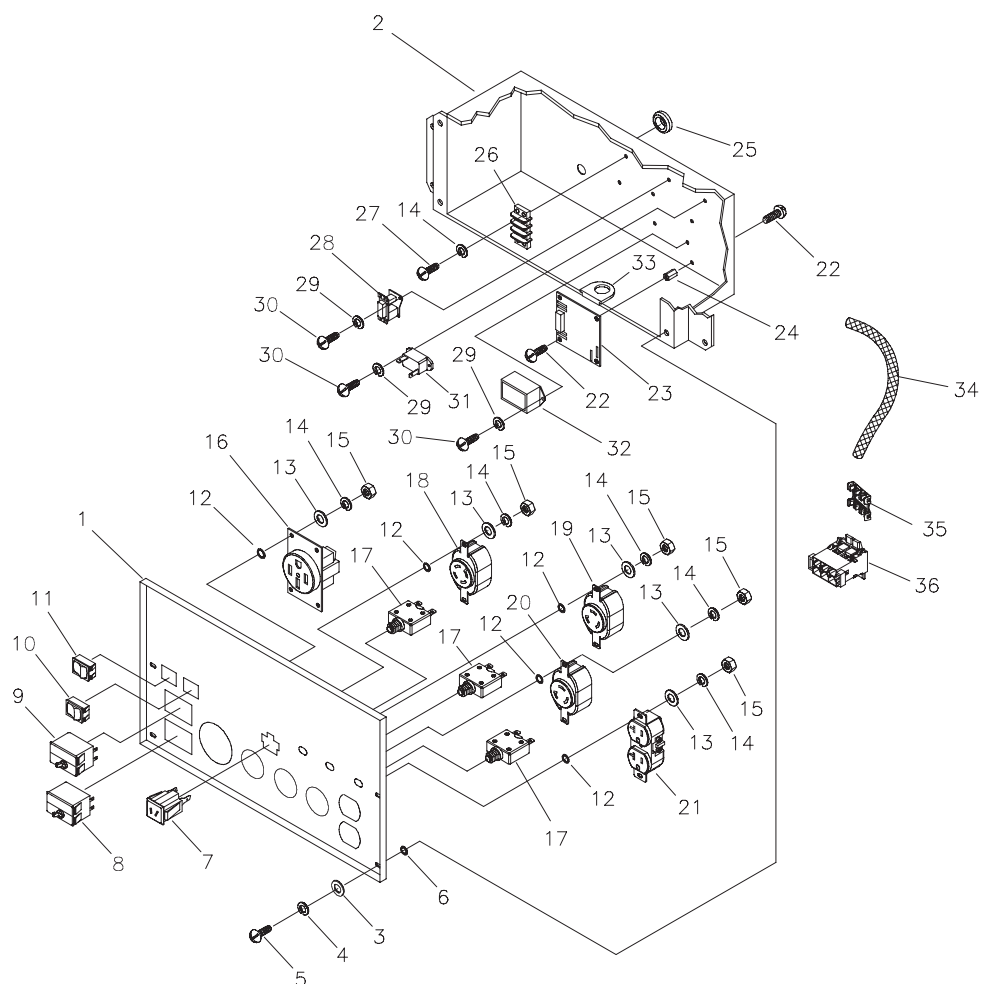
Manual No. 200079A Revision - (12/19/2007)

EXPLODED VIEW - MAIN UNIT



Copyright © 2007 Briggs & Stratton Power Products Group, LLC. All rights reserved. No part of this material may be reproduced or transmitted in any form by any means without the express written permission of Briggs & Stratton Power Products Group, LLC.

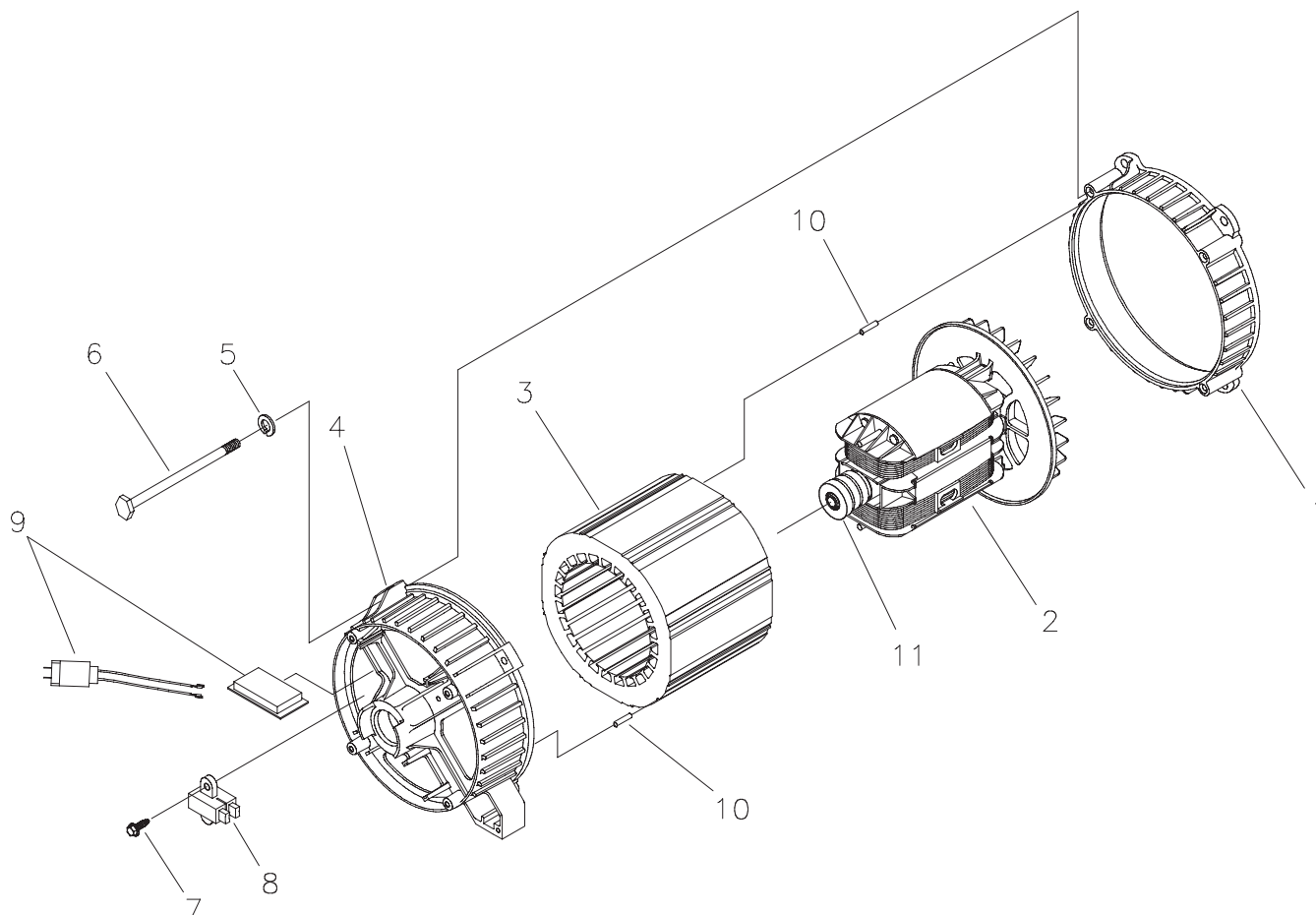
EXPLODED VIEW AND PARTS LIST - CONTROL PANEL



Item	Part #	Description	Item	Part #	Description
1	M199022GS	PANEL, Control	21	68759GS	OUTLET, 120V, 20A, Duplex
2	201864GS	BOX, Control Panel	22	*	PHTS, 6 - 32 x 3/8"
3	*	WASHER, Flat, #10 - M5	23	195406GS	ASSY, PCB, Control, Stepper Motor
4	*	LOCKWASHER, M5	24	64525GS	STANDOFF, Hex, 3/4"
5	*	PPHMS, M5 - 0.8 x 12	25	62265GS	GROMMET
6	*	WASHER, M6 - 1/4, Int. Shakeproof	26	92953GS	TERMINAL, Block
7	90418GS	OUTLET, 12V DC Snap	27	*	PPHMS, M4 - 0.7 x 20
8	191480BGS	BREAKER, Circuit, 40A, 2P	28	84028GS	TRANSFORMER, Idle Control
9	191480AGS	BREAKER, Circuit, 30A, 2P	29	*	LOCKWASHER, M3
10	82538GS	SWITCH, Rocker	30	*	PHMS, M3 - 0.5 x 10
11	78653GS	SWITCH, Eng, Run-Stop	31	87962GS	BREAKER, Circuit, 10A, 12V
12	*	WASHER, Shakeproof, Int. #8	32	77314GS	THERMAL, Relay
13	*	WASHER, Flat, M4	33	188632GS	BOOT, Rubber Wire Outlet
14	*	LOCKWASHER, M4	34	194273GS	TUBING
15	*	NUT, M4 - 0.7	35	199532GS	STRIP, Dual Row, TPA, 6 Circuit
16	B4262GS	RECEPTICLE	36	199528GS	PLUG, Dual Row, Housing, 6 Circuit
17	75207GS	BREAKER, Circuit, 20A W/hardware			
18	43437GS	OUTLET, 120/240V, 30A			
19	68868GS	OUTLET, 120V, 30A			
20	74190GS	OUTLET, 120V, 20A			

* - Items without part numbers are common fasteners and are available at your local hardware store.

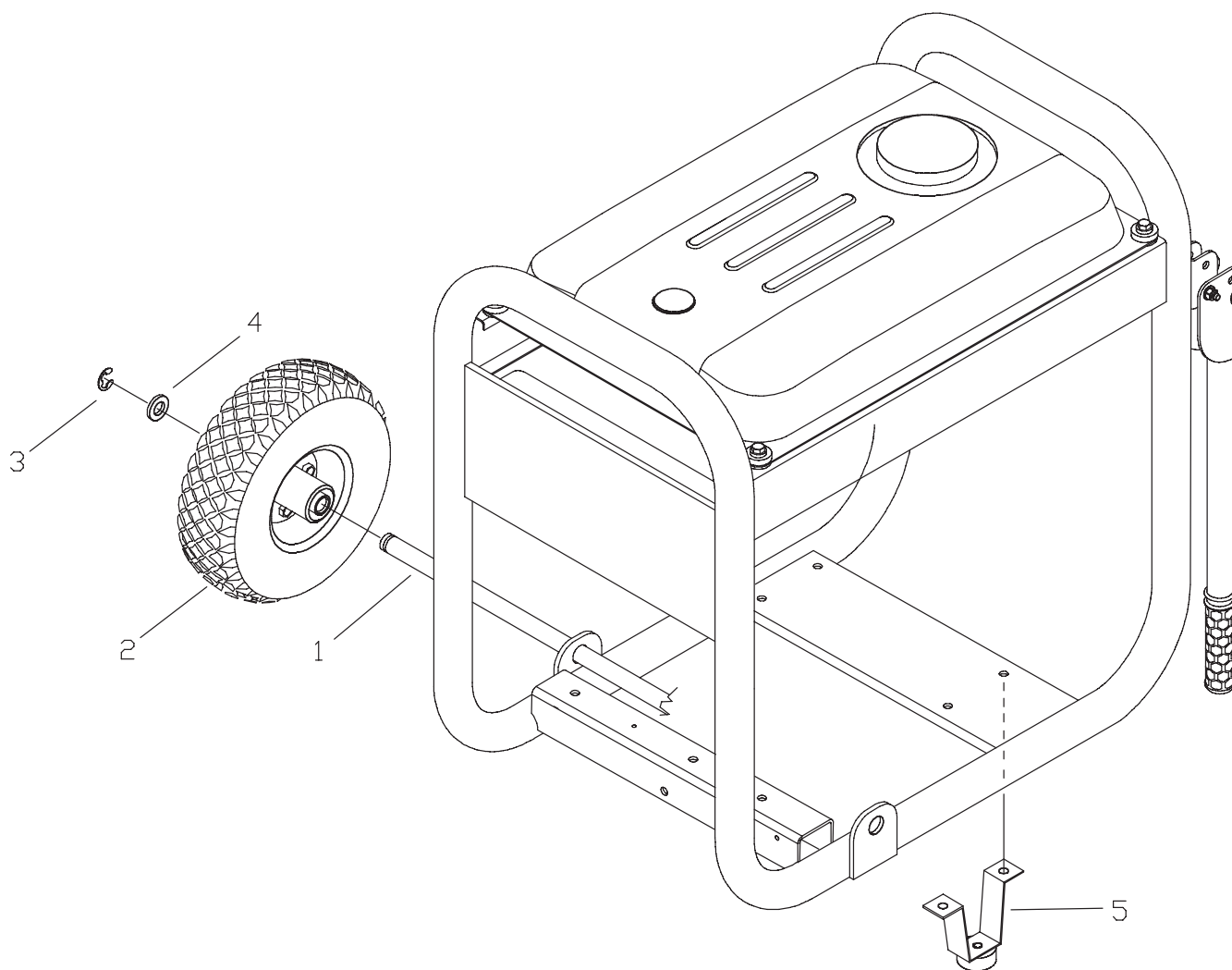
EXPLODED VIEW AND PARTS LIST - ALTERNATOR



Item	Part #	Description
1	186059GS	ADAPTER, Mounting, Alternator
2	191952GS	ASSY, Rotor (Includes Item 11)
3	191953GS	STATOR
4	193336GS	RBC, (with O-Ring p/n 189197GS)
5	*	WASHER, 1/4-M6 Lock
6	66449KGS	BOLT, M6 - 1.0 x 200
7	66849GS	TAPTITE, M5 - 0.8 x 16
8	66386GS	ASSY, Holder, Brush
9	202165GS	KIT, AVR & Boost
10	81917GS	PIN, Roll, 4mm x 10
11	65791GS	BEARING

* - Items without part numbers are common fasteners and are available at your local hardware store.

EXPLODED VIEW AND PARTS LIST - WHEEL KIT



Item	Part #	Description
1	191267JGS	AXLE, 5/8" x 25.59"
2	B4966GS	WHEEL
3	191265GS	E-RING, 5/8
4	*	WASHER, 5/8
5	200914GS	ASSY, Leg, Support w/Vib Mount

Parts Not Illustrated

200913GS KIT, Hardware, Wheel

* - Items without part numbers are common fasteners and are available at your local hardware store.

Free Manuals Download Website

<http://myh66.com>

<http://usermanuals.us>

<http://www.somanuals.com>

<http://www.4manuals.cc>

<http://www.manual-lib.com>

<http://www.404manual.com>

<http://www.luxmanual.com>

<http://aubethermostatmanual.com>

Golf course search by state

<http://golfingnear.com>

Email search by domain

<http://emailbydomain.com>

Auto manuals search

<http://auto.somanuals.com>

TV manuals search

<http://tv.somanuals.com>