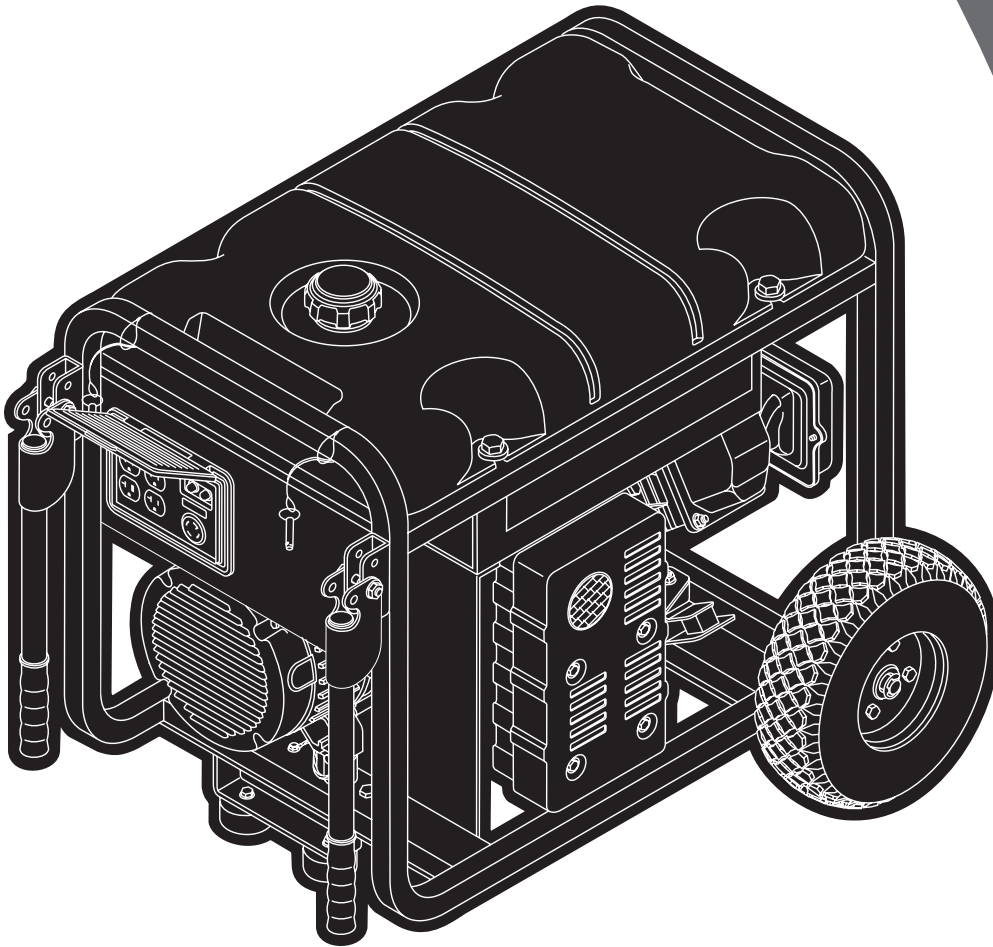




# ELITE Series™

**PORTABLE GENERATOR  
GENERADOR PORTÁTIL**

**Operator's Manual  
Manual del Operario**



**030211  
(6200W)**



## **WARNING**

Before using this product, read this manual and follow all Safety Rules and Operating Instructions.



## **ADVERTENCIA**

Antes de utilizar el producto, lea este manual y siga todas las Reglas de Seguridad e Instrucciones de Uso.

Questions? Help is just a moment away!

Preguntas? La ayuda es justa un momento lejos!

Call: **Generator Helpline - 1-800-743-4115** M-F 8-5 CT

Llamada: **Generador Helpline - 1-800-743-4115** M-F 8-5 CT

web: [www.briggsandstratton.com](http://www.briggsandstratton.com)

**BRIGGS & STRATTON POWER PRODUCTS GROUP, LLC  
JEFFERSON, WISCONSIN, U.S.A.**



0 24847 10165 2

Manual No. 195529GS  
Revision 3 (11/04/2005)



# SAVE THESE INSTRUCTIONS

## TABLE OF CONTENTS

Safety Rules..... 2-4  
 Know Your Generator..... 5  
 Assembly..... 6-8  
 Operation..... 9-12  
 Specifications..... 13  
 Maintenance..... 13  
 Storage..... 14  
 Troubleshooting..... 15  
 Notes..... 16  
 Warranty..... 17

## EQUIPMENT DESCRIPTION

**Read this manual carefully and become familiar with your generator. Know its applications, its limitations and any hazards involved.**

The generators are an engine-driven, revolving field, alternating current (AC) generator. It was designed to supply electrical power for operating compatible electrical lighting, appliances, tools and motor loads. The generator's revolving field is driven at about 3,600 rpm by a single-cylinder engine.

**CAUTION!** DO NOT exceed the generator's wattage/ampere capacity. See "Don't Overload Generator".

Every effort has been made to ensure that information in this manual is accurate and current. However, we reserve the right to change, alter or otherwise improve the product and this document at any time without prior notice.

The Emission Control System for this generator is warranted for standards set by the Environmental Protection Agency and the California Air Resources Board. For warranty information refer to the Engine Operator's Manual.

Copyright © 2005 Briggs & Stratton Power Products Group, LLC. All rights reserved. No part of this material may be reproduced or transmitted in any form by any means without the express written permission of Briggs & Stratton Power Products Group, LLC.

## SAFETY RULES

**This is the safety alert symbol. It is used to alert you to potential personal injury hazards. Obey all safety messages that follow this symbol to avoid possible injury or death.**

The safety alert symbol () is used with a signal word (DANGER, CAUTION, WARNING), a pictorial and/or a safety message to alert you to hazards. **DANGER** indicates a hazard which, if not avoided, will result in death or serious injury. **WARNING** indicates a hazard which, if not avoided, could result in death or serious injury. **CAUTION** indicates a hazard which, if not avoided, might result in minor or moderate injury. **CAUTION**, when used without the alert symbol, indicates a situation that could result in equipment damage. Follow safety messages to avoid or reduce the risk of injury or death.

**WARNING**

**The engine exhaust from this product contains chemicals known to the State of California to cause cancer, birth defects, or other reproductive harm.**

## Hazard Symbols and Meanings

Explosion	Fire	Electrical Shock
Toxic Fumes	Kickback	Hot Surface

**SAFETY RULES**

## 6200W Portable Generator


**WARNING**


Running generator gives off carbon monoxide, an odorless, colorless, poison gas.

Breathing carbon monoxide can cause nausea, fainting or death.

- Operate generator **ONLY** outdoors.
- Keep exhaust gas from entering a confined area through windows, doors, ventilation intakes or other openings.
- **DO NOT** operate generator inside any building or enclosure (even if doors or windows are open), including the generator compartment of a recreational vehicle (RV).

**WARNING**


Generator produces powerful voltage.

Failure to isolate generator from power utility can result in death or injury to electric utility workers due to backfeed of electrical energy.

- When using generator for backup power, notify utility company. Use approved transfer equipment to isolate generator from electric utility.
- Use a ground fault circuit interrupter (GFCI) in any damp or highly conductive area, such as metal decking or steel work.
- **DO NOT** touch bare wires or receptacles.
- **DO NOT** use generator with electrical cords which are worn, frayed, bare or otherwise damaged.
- **DO NOT** operate generator in the rain or wet weather.
- **DO NOT** handle generator or electrical cords while standing in water, while barefoot, or while hands or feet are wet.
- **DO NOT** allow unqualified persons or children to operate or service generator.

**WARNING**


Rapid retraction of starter cord (kickback) will pull hand and arm toward engine faster than you can let go.

Broken bones, fractures, bruises or sprains could result.

- When starting engine, pull cord slowly until resistance is felt and then pull rapidly to avoid kickback.
- **NEVER** start or stop engine with electrical devices plugged in and turned on.

**WARNING**


Fuel and its vapors are extremely flammable and explosive.



Fire or explosion can cause severe burns or death.

**WHEN ADDING OR DRAINING FUEL**

- Turn generator **OFF** and let it cool at least 2 minutes before removing fuel cap. Loosen cap slowly to relieve pressure in tank.
- Fill or drain fuel tank outdoors.
- **DO NOT** overfill tank. Allow space for fuel expansion.
- Keep fuel away from sparks, open flames, pilot lights, heat, and other ignition sources.
- **DO NOT** light a cigarette or smoke.

**WHEN STARTING EQUIPMENT**

- Ensure spark plug, muffler, fuel cap and air cleaner are in place.
- **DO NOT** crank engine with spark plug removed.
- If fuel spills, wait until it evaporates before starting engine.

**WHEN OPERATING EQUIPMENT**

- Do not tip engine or equipment at angle which causes fuel to spill.
- This generator is not for use in mobile equipment or marine applications.

**WHEN TRANSPORTING OR REPAIRING EQUIPMENT**

- Transport/repair with fuel tank **EMPTY** or with fuel shutoff valve **OFF**.
- Disconnect spark plug wire.

**WHEN STORING FUEL OR EQUIPMENT WITH FUEL IN TANK**


- Store away from furnaces, stoves, water heaters, clothes dryers or other appliances that have pilot light or other ignition source because they can ignite fuel vapors.


**WARNING**

- This generator does not meet U. S. Coast Guard Regulation 33CFR-183 and should not be used on marine applications.
- Failure to use the appropriate U. S. Coast Guard approved generator could result in death or serious injury and/or property damage.



**WARNING**

 Unintentional sparking can result in fire or electric shock.




**WHEN ADJUSTING OR MAKING REPAIRS TO YOUR GENERATOR**


- Disconnect the spark plug wire from the spark plug and place the wire where it cannot contact spark plug.

**WHEN TESTING FOR ENGINE SPARK**

- Use approved spark plug tester.
- DO NOT check for spark with spark plug removed.

**WARNING**

 Running engines produce heat. Temperature of muffler and nearby areas can reach or exceed 150°F (65°C).

 Severe burns can occur on contact. Exhaust heat/gases can ignite combustibles, structures or damage fuel tank causing a fire.

- DO NOT touch hot surfaces and avoid hot exhaust gases.
- Allow equipment to cool before touching.
- Keep at least 5 ft. (152 cm) clearance on all sides of generator including overhead.
- Code of Federal Regulation (CFR) Title 36 Parks, Forests, and Public Property require equipment powered by an internal combustion engine to have a spark arrester, maintained in effective working order, complying to USDA Forest service standard 5100-1C or later revision. In the State of California a spark arrester is required under section 4442 of the California Public resources code. Other states may have similar laws.

**CAUTION**

Excessively high operating speeds increase risk of injury and damage to generator.

Excessively low speeds impose a heavy load.

- DO NOT tamper with governed speed. Generator supplies correct rated frequency and voltage when running at governed speed.
- DO NOT modify generator in any way.

**CAUTION**

Exceeding generators wattage/amperage capacity can damage generator and/or electrical devices connected to it.

- See “Don’t Overload Generator”.
- Start generator and let engine stabilize before connecting electrical loads.
- Connect electrical loads in OFF position, then turn ON for operation.
- Turn electrical loads OFF and disconnect from generator before stopping generator.

**CAUTION**

Improper treatment of generator can damage it and shorten its life.

- Use generator only for intended uses.
- If you have questions about intended use, ask dealer or call 1-800-743-4115.
- Operate generator only on level surfaces.
- DO NOT expose generator to excessive moisture, dust, dirt, or corrosive vapors.
- DO NOT insert any objects through cooling slots.
- If connected devices overheat, turn them off and disconnect them from generator.
- Shut off generator if:
  - electrical output is lost;
  - equipment sparks, smokes, or emits flames;
  - unit vibrates excessively.

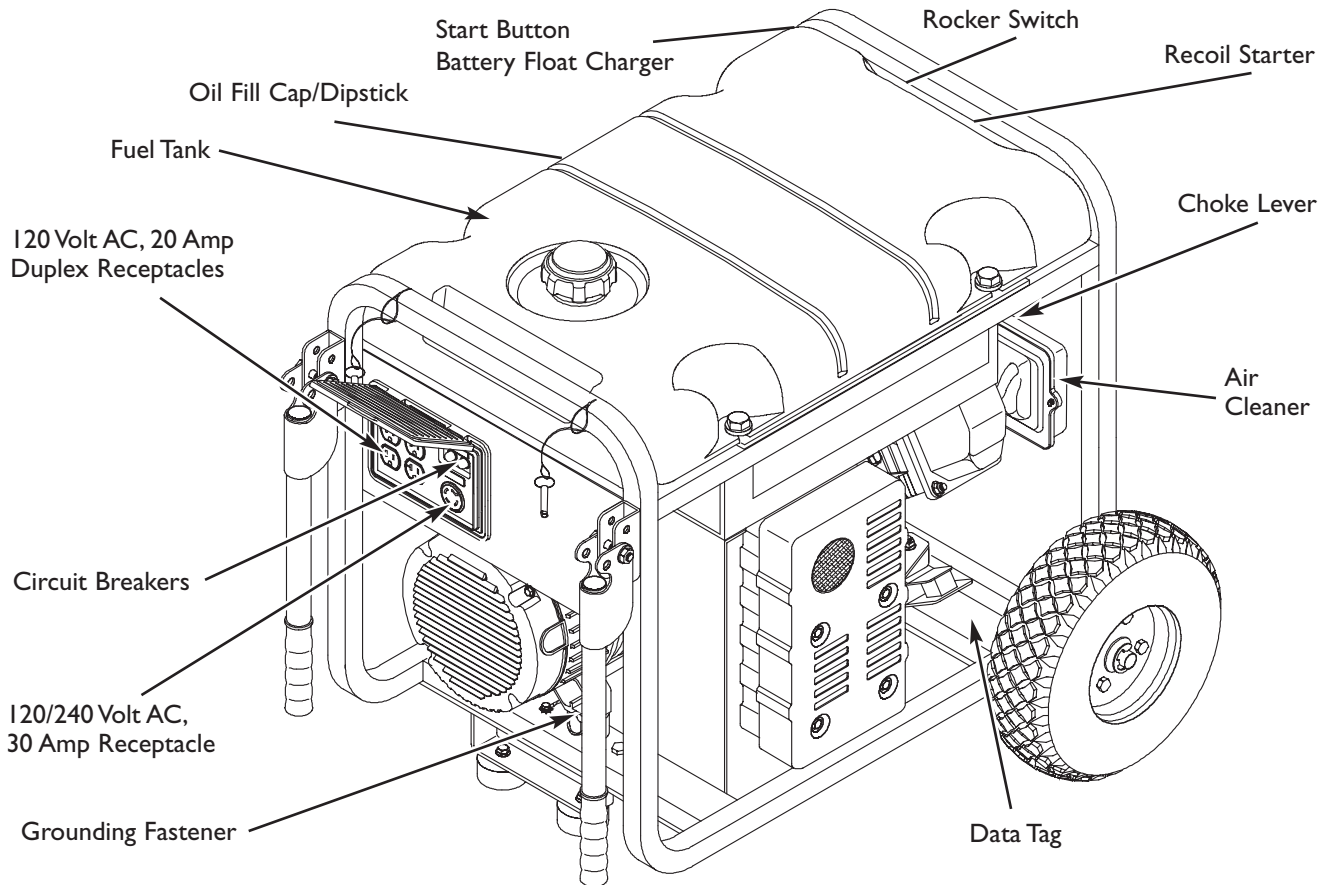


## KNOW YOUR GENERATOR



**Read this Operator's Manual and safety rules before operating your generator.**

Compare the illustrations with your generator, to familiarize yourself with the locations of various controls and adjustments. Save this manual for future reference.



**120 Volt AC, 20 Amp, Duplex Receptacles** — May be used to supply electrical power for the operation of 120 Volt AC, 20 Amp, single phase, 60 Hz electrical, lighting, appliance, tool and motor loads.

**120/240 Volt AC, 30 Amp Locking Receptacle** — May be used to supply electrical power for the operation of 120 and/or 240 Volt AC, 30 Amp, single phase, 60 Hz electrical, lighting, appliance, tool and motor loads.

**Battery Float Charger** — Use battery float charger jack to keep the starting battery charged and ready for use.

**Air Cleaner** — Protects engine by filtering dust and debris out of intake air.

**Choke Lever** — Used when starting a cold engine.

**Circuit Breakers (AC)** — Push to reset circuit breakers are provided to protect the generator against electrical overload.

**Data Tag** — Provides model, revision and serial number of generator. Please have these readily available when calling for assistance.

**Fuel Tank** — Capacity of seven (7) U.S. gallons.

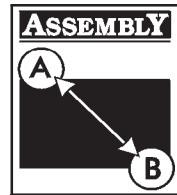
**Grounding Fastener** — Consult your local agency having jurisdiction for grounding requirements in your area.

**Oil Fill Cap/Dipstick** — Check and fill engine with oil here.

**Recoil starter** — Used to start the engine.

**Rocker Switch** — Set this switch to "On" before using recoil starter. Set switch to "Off" to switch off engine.

**Start Button** — Push to start the engine.



## ASSEMBLY

Your generator requires some assembly and is ready for use after it has been properly serviced with the recommended oil and fuel.

If you have any problems with the assembly of your generator, please call the generator helpline at **1-800-743-4115**. If calling for assistance, please have the model, revision, and serial number from the data tag available.

### Unpacking the Generator

1. Set the carton on a rigid flat surface.
2. Remove everything from carton except generator.
3. Open carton completely by cutting each corner from top to bottom.
4. Leave generator on carton to install wheel kit.

### Carton Contents

Check all contents against those listed below:

- Main unit
- Engine oil
- Operator's manual
- Engine operator's manual
- Battery float charger
- Wheel kit

If any parts are missing or damaged, call the generator helpline at **1-800-743-4115**.

## ELECTRIC START

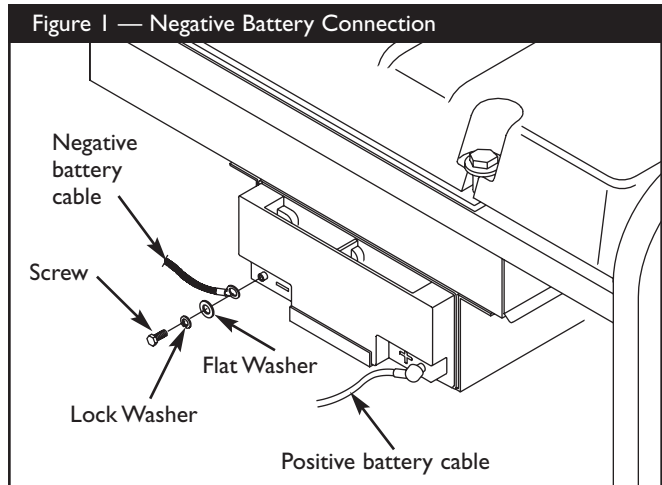
Your unit is equipped with electric start capability but can be started manually. If you choose not to use the electric start feature, you do not need to connect the negative battery cable.

### Check Battery / Attach Negative Battery Wire

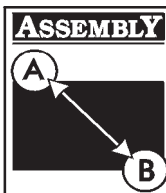
The sealed battery on the generator is fully charged and pre-installed except for the negative (black) battery cable.

#### To install:

1. Cut off tie wrap securing loose end of negative (black) cable.
2. Remove screw, lock washer and flat washer on negative battery terminal.
3. Slide lock washer, flat washer and negative battery cable over screw (Figure 1).



4. Reattach screw to negative battery terminal and tighten.
5. Verify that connections to battery and generator are tight and secure.



## Install Wheel Kit

The wheel kit is designed to greatly improve the portability of your generator.

**NOTE:** Wheel kit is not intended for over-the-road use.

You will need the following tools to install this wheel kit:

- 1/2" or 13mm socket wrench
- 1/2" or 13mm open end wrench
- 7/16" socket wrench
- 7/16" open end wrench
- Needle-nose pliers
- Safety glasses

**Refer to Figure 2 and install the wheel kit as follows:**

1. Tip generator so that engine end is up.
2. Slide axle through both mounting brackets.
3. Slide a wheel over the axle.

**NOTE:** Be sure to install both wheels with the air pressure valve on the outboard side.

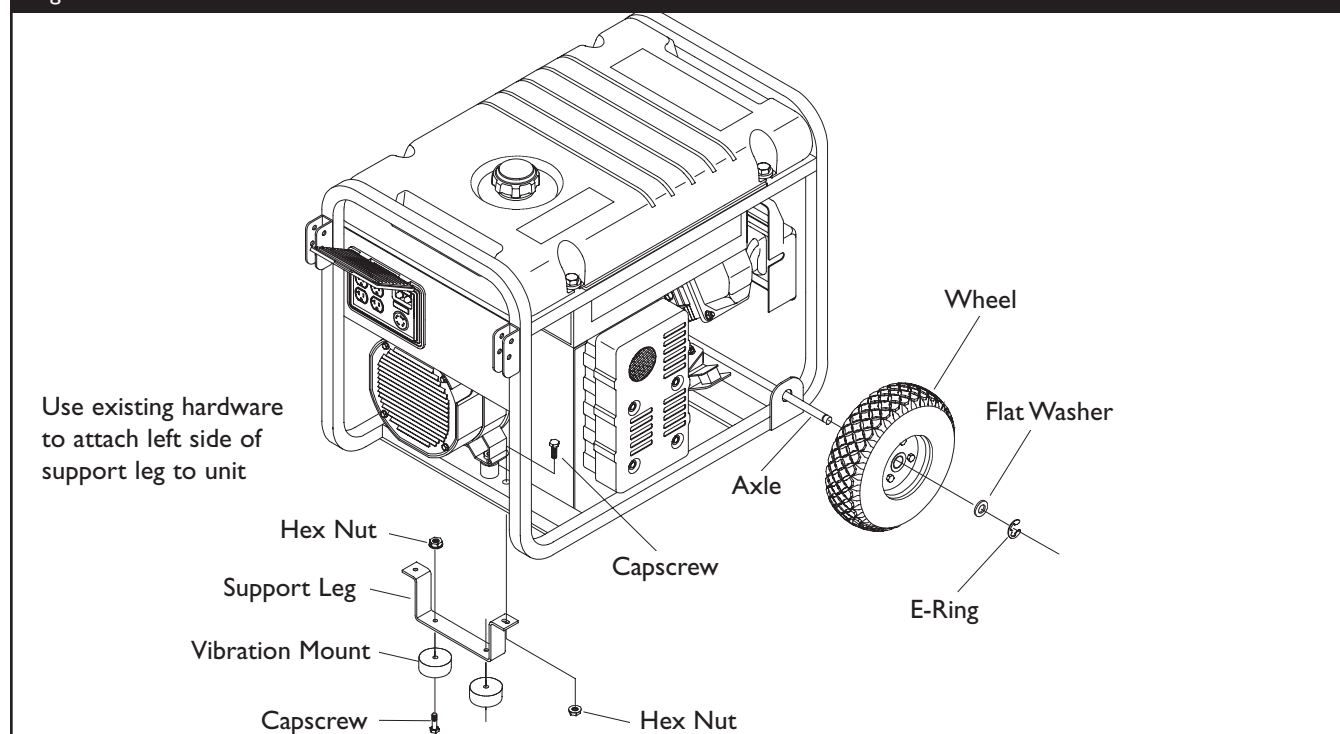
4. Place a washer on axle and then place an e-ring in axle groove.

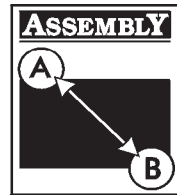
5. Install e-ring with pliers, squeezing from top of e-ring to bottom of axle.

<b>CAUTION</b>	
	E-rings can cause eye injury.
	E-rings can spring back and become airborne when installing or removing.
• Always wear eye protection when installing/removing e-rings.	

6. Repeat step 3 thru 5 to secure second wheel.
7. Tip generator so that engine side is down.
8. Attach the vibration mounts to the support leg with 1/4-20 x 1" capscrews and 1/4-20 lock nuts.
9. Remove the existing locknut from the left unit vibration mount with 13mm wrench. Use the same locknut to attach the support leg.
10. Attach the other side of the support leg with a M8 x 20 mm capscrew and M8 lock nut.
11. Return generator to normal operating position (resting on wheels and support leg).
12. Check each fastener to ensure it is secure and the tires are inflated between 15-40 PSI.

Figure 2 — Install Wheel Kit





## BEFORE STARTING THE ENGINE

### Add Engine Oil

- Place generator on a level surface.

#### CAUTION

Any attempt to crank or start the engine before it has been properly filled with the recommended oil will result in equipment failure.

- Refer to engine operator's manual for oil fill information.
  - Damage to equipment resulting from failure to follow this instruction will void warranty.
- Refer to engine operator's manual and follow oil recommendations and instructions.

**NOTE:** Check oil often during engine break-in. Refer to engine operator's manual for recommendations.

**NOTE:** The generator assembly rotates on a prelubricated and sealed ball bearing that requires no additional lubrication for the life of the bearing.

### Add Fuel

**NOTE:** This gasoline engine is certified to operate on gasoline. Exhaust Emission Control System: EM (Engine Modifications).

#### WARNING



Fuel and its vapors are extremely flammable and explosive.

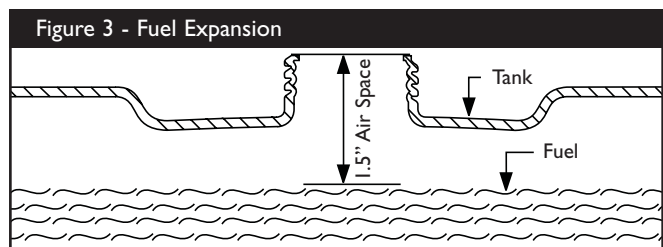


Fire or explosion can cause severe burns or death.

#### WHEN ADDING FUEL

- Turn generator OFF and let it cool at least 2 minutes before removing fuel cap. Loosen cap slowly to relieve pressure in tank.
- Fill fuel tank outdoors.
- DO NOT overfill tank. Allow space for fuel expansion.
- Keep fuel away from sparks, open flames, pilot lights, heat, and other ignition sources.
- DO NOT light a cigarette or smoke.

- Use clean, fresh, regular UNLEADED fuel with a minimum of 85 octane. DO NOT use fuel which contains Methanol. DO NOT mix oil with fuel.
- Clean area around fuel fill cap, remove cap.
- Slowly add regular unleaded fuel to fuel tank. Be careful not to overfill. Allow about 1.5" of tank space for fuel expansion (Figure 3).



- Install fuel cap and wipe up any spilled fuel.





# USING THE GENERATOR

## System Ground

The generator has a system ground that connects the generator frame components to the ground terminals on the AC output receptacles. The system ground is connected to the AC neutral wire (the neutral is bonded to the generator frame).

## Special Requirements

There may be Federal or State Occupational Safety and Health Administration (OSHA) regulations, local codes, or ordinances that apply to the intended use of the generator. Please consult a qualified electrician, electrical inspector, or the local agency having jurisdiction.

- In some areas, generators are required to be registered with local utility companies.
- If the generator is used at a construction site, there may be additional regulations which must be observed.

## Connecting to a Building's Electrical System

Connections for standby power to a building's electrical system must be made by a qualified electrician. The connection must isolate the generator power from utility power, and must comply with all applicable laws and electrical codes.

	<b>WARNING</b>
Generator produces powerful voltage. Failure to isolate generator from power utility can result in death or injury to electric utility workers due to backfeed of electrical energy.	
<ul style="list-style-type: none"> <li>• When using generator for backup power, notify utility company. Use approved transfer equipment to isolate generator from electric utility.</li> <li>• Use a ground fault circuit interrupter (GFCI) in any damp or highly conductive area, such as metal decking or steel work.</li> <li>• DO NOT touch bare wires or receptacles.</li> <li>• DO NOT use generator with electrical cords which are worn, frayed, bare or otherwise damaged.</li> <li>• DO NOT operate generator in the rain.</li> <li>• DO NOT handle generator or electrical cords while standing in water, while barefoot, or while hands or feet are wet.</li> <li>• DO NOT allow unqualified persons or children to operate or service generator.</li> </ul>	

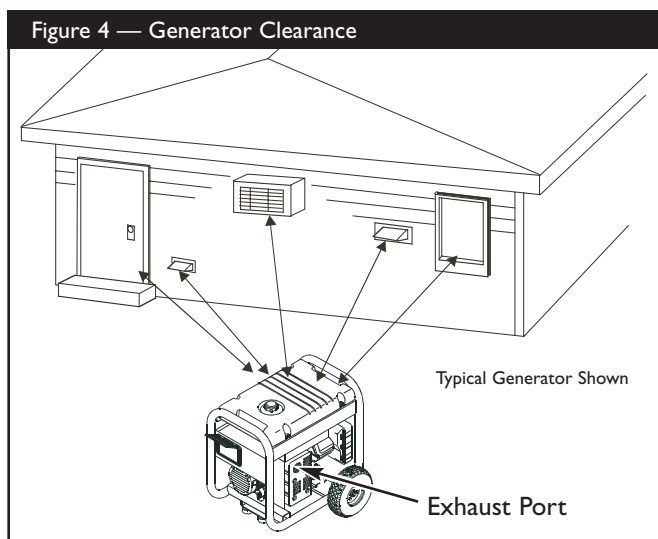
## Generator Location

### Generator Clearance

<b>WARNING</b>	
	Exhaust heat/gases can ignite combustibles, structures or damage fuel tank causing a fire.
<ul style="list-style-type: none"> <li>• Keep at least 5 ft. (152 cm) clearance on all sides of generator including overhead.</li> </ul>	

Place generator in a well ventilated area, which will allow for removal of deadly exhaust gas. DO NOT place generator where exhaust gas could accumulate and enter inside or be drawn into a potentially occupied building. Ensure exhaust gas is kept away from any windows, doors, ventilation intakes or other openings that can allow exhaust gas to collect in a confined area (Figure 4). Prevailing winds and air currents should be taken into consideration when positioning generator.

<b>WARNING</b>	
	Running generator gives off carbon monoxide, an odorless, colorless, poison gas. Breathing carbon monoxide can cause nausea, fainting or death.
<ul style="list-style-type: none"> <li>• Operate generator ONLY outdoors.</li> <li>• Keep exhaust gas from entering a confined area through windows, doors, ventilation intakes or other openings.</li> <li>• DO NOT operate generator inside any building or enclosure (even if doors or windows are open), including the generator compartment of a recreational vehicle (RV).</li> </ul>	





# OPERATING THE GENERATOR

## Starting the Engine

Disconnect all electrical loads from the generator. Use the following start instructions:

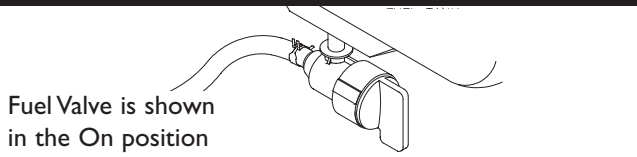
**IMPORTANT:** Always unplug the battery float charger before starting the generator.

1. Make sure unit is on a level surface.

**IMPORTANT:** Failure to start and operate unit on a level surface will cause the unit not to start or shut down during operation.

2. Turn the fuel valve to the “On” position (Figure 5). The fuel valve handle should be vertical (pointing toward the ground) for fuel to flow.

Figure 5 — Fuel Valve



3. Start engine according to instructions given in the engine operator’s manual.

### WARNING



Rapid retraction of starter cord (kickback) will pull hand and arm toward engine faster than you can let go.  
Broken bones, fractures, bruises or sprains could result.

- When starting engine, pull cord slowly until resistance is felt and then pull rapidly to avoid kickback.
- NEVER start or stop engine with electrical devices plugged in and turned on.

**NOTE:** If engine starts after 3 pulls but fails to run, or if unit shuts down during operation, make sure unit is on a level surface and check for proper oil level in crankcase. This unit may be equipped with a low oil protection device. See engine operator’s manual.

### WARNING



Running engines produce heat. Temperature of muffler and nearby areas can reach or exceed 150°F (65°C).



Severe burns can occur on contact. Exhaust heat/gases can ignite combustibles, structures or damage fuel tank causing a fire.

- DO NOT touch hot surfaces and avoid hot exhaust gases.
- Allow equipment to cool before touching.
- Keep at least 5 ft. (152 cm) clearance on all sides of generator including overhead.
- Code of Federal Regulation (CFR) Title 36 Parks, Forests, and Public Property require equipment powered by an internal combustion engine to have a spark arrester, maintained in effective working order, complying to USDA Forest service standard 5100-1C or later revision. In the State of California a spark arrester is required under section 4442 of the California Public resources code. Other states may have similar laws.

## Connecting Electrical Loads

- Let engine stabilize and warm up for a few minutes after starting.
- Plug in and turn on the desired 120 and/or 240 Volt AC, single phase, 60 Hz electrical loads.
- DO NOT connect 240 Volt loads to the 120 Volt duplex receptacles.
- DO NOT connect 3-phase loads to the generator.
- DO NOT connect 50 Hz loads to the generator.
- **DO NOT OVERLOAD THE GENERATOR.** See “Don’t Overload Generator”.

### CAUTION

Exceeding generators wattage/amperage capacity can damage generator and/or electrical devices connected to it.

- See “Don’t Overload Generator”.
- Start generator and let engine stabilize before connecting electrical loads.
- Connect electrical loads in OFF position, then turn ON for operation.
- Turn electrical loads OFF and disconnect from generator before stopping generator.



## Stopping the Engine

1. Turn **OFF** and unplug **all** electrical loads from generator panel receptacles. NEVER start or stop engine with electrical devices plugged in and turned **ON**.
2. Let engine run at no-load for several minutes to stabilize internal temperatures of engine and generator.
3. Turn engine off according to instructions given in the engine operator's manual.
4. Move fuel valve to "Off" position.

## RECEPTACLES

### CAUTION

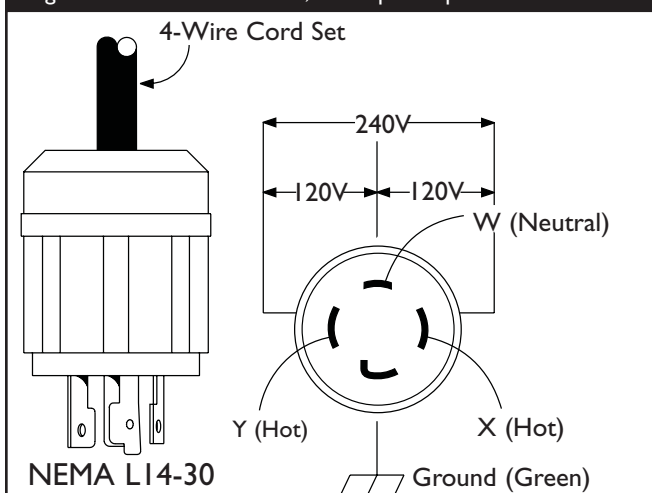
Receptacles may be marked with rating value greater than generator output capacity.

- NEVER attempt to power a device requiring more amperage than generator or receptacle can supply.
- DO NOT overload the generator. See "Don't Overload Generator".

## 120/240 Volt AC, 30 Amp, Locking Receptacle

Use a NEMA L14-30 plug with this receptacle. Connect a 4-wire cord set rated for 250 Volt AC loads at 30 Amps (or greater) (Figure 6). You can use the same 4-wire cord if you plan to run a 120 Volt load.

Figure 6 — 120/240 Volt AC, 30 Amp Receptacle

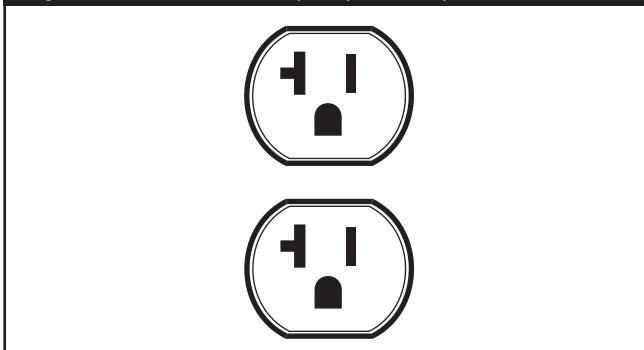


This receptacle powers 120/240 Volt AC, 60 Hz, single phase loads requiring up to 6,200 watts of power (6.2 kW) at 25.8 Amps for 240 Volts or two independent 120 Volt loads at 25.8 Amps each. The outlet is protected by push-to-reset circuit breakers.

## 120 Volt AC, 20 Amp, Duplex Receptacles

Each duplex receptacle (Figure 7) is protected against overload by a push-to-reset circuit breaker.

Figure 7 — 120 Volt, 20 Amp Duplex Receptacle



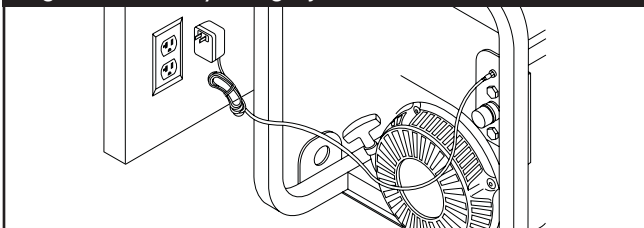
Use each receptacle to operate 120 Volt AC, single-phase, 60 Hz electrical loads requiring up to 2,400 watts (2.4 kW) at 20 Amps of current. Use cord sets that are rated for 125 Volt AC loads at 20 Amps (or greater).

## BATTERY CHARGER

Use battery float charger jack to keep the starting battery charged and ready for use. Battery charging should be done in a dry location, such as inside a garage.

1. Plug charger into unit's "Battery Float Charger" jack, which is located on the starter switch (Figure 8). Plug battery charger into a 120 Volt AC wall receptacle.

Figure 8 — Battery Charger Jack



2. Unplug charger from unit and wall outlet when generator is being started and while it is in operation.
3. Keep this charger plugged in when generator is not in use to prolong battery life. The charger has a built in float equalizer and will not overcharge the battery, even when plugged in for an extended period of time.

**IMPORTANT:** See "Battery Maintenance" on page 13 for additional information.



# DON'T OVERLOAD GENERATOR

## Capacity

You must make sure your generator can supply enough rated (running) and surge (starting) watts for the items you will power at the same time. Follow these simple steps:

1. Select the items you will power at the same time.
2. Total the rated (running) watts of these items. This is the amount of power your generator must produce to keep your items running. See Figure 9.
3. Estimate how many surge (starting) watts you will need. Surge wattage is the short burst of power needed to start electric motor-driven tools or appliances such as a circular saw or refrigerator. Because not all motors start at the same time, total surge watts can be estimated by adding only the item(s) with the highest additional surge watts to the total rated watts from step 2.

### Example:

Tool or Appliance	Rated (Running) Watts	Additional Surge (Starting) Watts
Window Air Conditioner	1200	1800
Refrigerator	800	1600
Deep Freezer	500	500
Television	500	-
Light (75 Watts)	75	-
	3075 Total Running Watts	1800 Highest Surge Watts

Total Rated (Running) Watts = 3075  
 Highest Additional Surge Watts = 1800  
 Total Generator Output Required = 4875

## Power Management

To prolong the life of your generator and attached devices, it is important to take care when adding electrical loads to your generator. There should be nothing connected to the generator outlets before starting its engine. The correct and safe way to manage generator power is to sequentially add loads as follows:

1. With nothing connected to the generator, start the engine as described in this manual.
2. Plug in and turn on the first load, preferably the largest load you have.
3. Permit the generator output to stabilize (engine runs smoothly and attached device operates properly).

4. Plug in and turn on the next load.
5. Again, permit the generator to stabilize.
6. Repeat steps 4 and 5 for each additional load.

NEVER add more loads than the generator capacity. Take special care to consider surge loads in generator capacity, as described above.

Figure 9 - Wattage Reference Chart

Tool or Appliance	Rated* (Running) Watts	Additional Surge (Starting) Watts
<b>Essentials</b>		
Light Bulb - 75 watt	75	-
Deep Freezer	500	500
Sump Pump	800	1200
Refrigerator/Freezer - 18 Cu. Ft.	800	1600
Water Well Pump - 1/3 HP	1000	2000
<b>Heating/Cooling</b>		
Window AC - 10,000 BTU	1200	1800
Window Fan	300	600
Furnace Fan Blower - 1/2 HP	800	1300
<b>Kitchen</b>		
Microwave Oven - 1000 Watt	1000	-
Coffee Maker	1500	-
Electric Stove - Single Element	1500	-
Hot Plate	2500	-
<b>Family Room</b>		
DVD/CD Player	100	-
VCR	100	-
Stereo Receiver	450	-
Color Television - 27"	500	-
Personal Computer w/17" monitor	800	-
<b>Other</b>		
Security System	180	-
AM/FM Clock Radio	300	-
Garage Door Opener - 1/2 HP	480	520
Electric Water Heater - 40 Gallon	4000	-
<b>DIY/Job Site</b>		
Quartz Halogen Work Light	1000	-
Airless Sprayer - 1/3 HP	600	1200
Reciprocating Saw	960	960
Electric Drill - 1/2 HP	1000	1000
Circular Saw - 7 1/4"	1500	1500
Miter Saw - 10"	1800	1800
Table Planer - 6"	1800	1800
Table Saw/Radial Arm Saw - 10"	2000	2000
Air Compressor - 1-1/2 HP	2500	2500

\*Wattages listed are approximate only. Check tool or appliance for actual wattage.



# SPECIFICATIONS

Starting Wattage	8,700 watts
Wattage	6,200 watts
AC Load Current:	
At 120 Volts	51.6 Amps
At 240 Volts	25.8 Amps
Phase	1-phase
Rated Frequency	60 Hertz
Fuel Tank Capacity	7 U.S. gallons
Shipping Weight	198 lbs.

# GENERAL MAINTENANCE RECOMMENDATIONS

The Owner/Operator is responsible for making sure that all periodic maintenance tasks are completed on a timely basis; that all discrepancies are corrected; and that the unit is kept clean and properly stored. **NEVER operate a damaged or defective generator.**

**NOTE:** Should you have questions about replacing components on your Briggs & Stratton Power Products generator, please call **1-800-743-4115** for assistance.

## Engine Maintenance

See engine operator's manual for instructions.

	<b>CAUTION</b>
Avoid prolonged or repeated skin contact with used motor oil.	
<ul style="list-style-type: none"> <li>Used motor oil has been shown to cause skin cancer in certain laboratory animals.</li> <li>Thoroughly wash exposed areas with soap and water.</li> </ul>	



KEEP OUT OF REACH OF CHILDREN. DON'T POLLUTE. CONSERVE RESOURCES. RETURN USED OIL TO COLLECTION CENTERS.

## Generator Maintenance

Generator maintenance consists of keeping the unit clean and dry. Operate and store the unit in a clean dry environment where it will not be exposed to excessive dust, dirt, moisture or any corrosive vapors. Cooling air slots in the generator must not become clogged with snow, leaves or any other foreign material.

**NOTE:** DO NOT use a garden hose to clean generator. Water can enter engine fuel system and cause problems. In addition, if water enters generator through cooling air slots, some of the water will be retained in voids and cracks of the rotor and stator winding insulation. Water and dirt buildup on the generator internal windings will eventually decrease the insulation resistance of these windings.

		<b>WARNING</b>
	Unintentional sparking can result in fire or electric shock.	
<b>WHEN ADJUSTING OR MAKING REPAIRS TO YOUR GENERATOR</b>		
<ul style="list-style-type: none"> <li>Disconnect the spark plug wire from the spark plug and place the wire where it cannot contact spark plug.</li> </ul>		
<b>WHEN TESTING FOR ENGINE SPARK</b>		
<ul style="list-style-type: none"> <li>Use approved spark plug tester.</li> <li>DO NOT check for spark with spark plug removed.</li> </ul>		

## Battery Maintenance

Other than float charging, described elsewhere, no maintenance is required for the starting battery. Keep the battery and terminals clean and dry.

**IMPORTANT:** Battery charging should be performed in a dry location, such as inside a garage.

## Generator Cleaning

- Use a damp cloth to wipe exterior surfaces clean.

<b>CAUTION</b>	
Improper treatment of generator can damage it and shorten its life.	
<ul style="list-style-type: none"> <li>DO NOT expose generator to excessive moisture, dust, dirt, or corrosive vapors.</li> <li>DO NOT insert any objects through cooling slots.</li> </ul>	

- Use a soft bristle brush to loosen caked on dirt or oil.
- Use a vacuum cleaner to pick up loose dirt and debris.
- Use low pressure air (not to exceed 25 psi) to blow away dirt. Inspect cooling air slots and opening on generator. These openings must be kept clean and unobstructed.



## STORAGE

The generator should be started at least once every seven days and allowed to run at least 30 minutes. If this cannot be done and you must store the unit for more than 30 days, use the following guidelines to prepare it for storage.

### Generator Storage

- Clean the generator as outlined in “Generator Cleaning”.
- Check that cooling air slots and openings on generator are open and unobstructed.



### WARNING



Storage covers can be flammable.

- DO NOT place a storage cover over a hot generator.
- Let equipment cool for a sufficient time before placing the cover on the equipment.

### Engine Storage

See engine operator’s manual for instructions.

### Other Storage Tips

- To prevent gum from forming in fuel system or on essential carburetor parts, add fuel stabilizer into fuel tank and fill with fresh fuel. Run the unit for several minutes to circulate the additive through the carburetor. The unit and fuel can then be stored for up to 24 months. Fuel stabilizer can be purchased locally.
- DO NOT store fuel from one season to another unless it has been treated as described above.
- Replace fuel container if it starts to rust. Rust and/or dirt in fuel can cause problems if it's used with this unit.
- Store unit in a clean and dry area.



## TROUBLESHOOTING

Problem	Cause	Correction
<b>No AC output is available, but generator is running.</b>	<ol style="list-style-type: none"><li>1. One of the circuit breakers is open.</li><li>2. Fault in generator.</li><li>3. Poor connection or defective cord set.</li><li>4. Connected device is bad.</li></ol>	<ol style="list-style-type: none"><li>1. Reset circuit breaker.</li><li>2. Contact Authorized service facility.</li><li>3. Check and repair.</li><li>4. Connect another device that is in good condition.</li></ol>
<b>Generator runs good at no-load but "bogs" down" when loads are connected.</b>	<ol style="list-style-type: none"><li>1. Short circuit in a connected load.</li><li>2. Generator is overloaded.</li><li>3. Shorted generator circuit.</li></ol>	<ol style="list-style-type: none"><li>1. Disconnect shorted electrical load.</li><li>2. See "Don't Overload Generator".</li><li>3. Contact Authorized service facility.</li></ol>
<b>Generator will not start; or starts and runs rough.</b>	<ol style="list-style-type: none"><li>1. Failed battery.</li><li>2. Low oil level.</li></ol>	<ol style="list-style-type: none"><li>1. Replace battery.</li><li>2. Fill crankcase to proper level or place generator on level surface.</li></ol>
<b>Generator shuts down during operation.</b>	<ol style="list-style-type: none"><li>1. Out of gasoline.</li><li>2. Low oil level.</li></ol>	<ol style="list-style-type: none"><li>1. Fill fuel tank.</li><li>2. Fill crankcase to proper level or place generator on level surface.</li></ol>
<b>Generator lacks power.</b>	Load is too high.	See "Don't Overload Generator".



NOTES

# NOTES



# BRIGGS & STRATTON POWER PRODUCTS GROUP, LLC EQUIPMENT OWNER WARRANTY POLICY

Effective September 1, 2004 replaces all undated Warranties and all Warranties dated before September 1, 2004

## LIMITED WARRANTY

Briggs & Stratton Power Products Group, LLC will repair or replace, free of charge, any part(s) of the equipment that is defective in material or workmanship or both. Transportation charges on parts submitted for repair or replacement under this warranty must be borne by purchaser. This warranty is effective for the time periods and subject to the conditions stated below. For warranty service, find the nearest Authorized Service Dealer in our dealer locator map at [www.briggspowerproducts.com](http://www.briggspowerproducts.com).

THERE IS NO OTHER EXPRESS WARRANTY. IMPLIED WARRANTIES, INCLUDING THOSE OF MERCHANTABILITY AND FITNESS FOR A PARTICULAR PURPOSE, ARE LIMITED TO ONE YEAR FROM PURCHASE, OR TO THE EXTENT PERMITTED BY LAW ANY AND ALL IMPLIED WARRANTIES ARE EXCLUDED. LIABILITY FOR INCIDENTAL OR CONSEQUENTIAL DAMAGES ARE EXCLUDED TO THE EXTENT EXCLUSION IS PERMITTED BY LAW. Some states or countries do not allow limitations on how long an implied warranty lasts, and some states or countries do not allow the exclusion or limitation of incidental or consequential damages, so the above limitation and exclusion may not apply to you. This warranty gives you specific legal rights and you may also have other rights which vary from state to state or country to country.

## OUR EQUIPMENT\*

OUTBOARD MOTOR	PRESSURE WASHER	WATER PUMP (Not available in the USA)	PORTABLE GENERATOR  WELDER	HOME STANDBY GENERATOR SYSTEM		
				Less than 10 KW	10 KW or greater	Transfer switch

## WARRANTY PERIOD\*\*

Consumer Use	2 years	1 year	1 year	2 years	2 years	3 years or 1500 hours	3 years
Commercial Use	none	90 days	90 days	1 year	none	none	none

\* The engine and starting batteries are warranted solely by the manufacturers of those products.

\*\* 2 years for all consumer products in the European Union. Parts only on 2nd year for consumer use of Portable Generator and Home Standby Generator System - Less than 10 KW, outside of European Union.

The warranty period begins on the date of purchase by the first retail consumer or commercial end user, and continues for the period of time stated in the table above. "Consumer use" means personal residential household use by a retail consumer. "Commercial use" means all other uses, including use for commercial, income producing or rental purposes. Once equipment has experienced commercial use, it shall thereafter be considered as commercial use for purposes of this warranty. **Equipment used for prime power in place of utility are not applicable to this warranty. Electric powered pressure washers used for commercial purposes are not warranted.**

**NO WARRANTY REGISTRATION IS NECESSARY TO OBTAIN WARRANTY ON BRIGGS & STRATTON PRODUCTS. SAVE YOUR PROOF OF PURCHASE RECEIPT. IF YOU DO NOT PROVIDE PROOF OF THE INITIAL PURCHASE DATE AT THE TIME WARRANTY SERVICE IS REQUESTED, THE MANUFACTURING DATE OF THE PRODUCT WILL BE USED TO DETERMINE THE WARRANTY PERIOD.**

## ABOUT YOUR WARRANTY

We welcome warranty repair and apologize to you for being inconvenienced. Any Authorized Service Dealer may perform warranty repairs. Most warranty repairs are handled routinely, but sometimes requests for warranty service may not be appropriate. For example, warranty service would not apply if equipment damage occurred because of misuse, lack of routine maintenance, shipping, handling, warehousing or improper installation. Similarly, the warranty is void if the manufacturing date or the serial number on the equipment has been removed or the equipment has been altered or modified. During the warranty period, the Authorized Service Dealer, at its option, will repair or replace any part that, upon examination, is found to be defective under normal use and service. This warranty will not cover the following repairs and equipment:

- **Normal Wear:** Outdoor Power Equipment, like all mechanical devices, needs periodic parts and service to perform well. This warranty does not cover repair when normal use has exhausted the life of a part or the equipment.
- **Installation and Maintenance:** This warranty does not apply to equipment or parts that have been subjected to improper or unauthorized installation or alteration and modification, misuse, negligence, accident, overloading, overspeeding, improper maintenance, repair or storage so as, in our judgment, to adversely affect its performance and reliability. This warranty also does not cover normal maintenance such as adjustments, fuel system cleaning and obstruction (due to chemical, dirt, carbon, lime, etc.).
- **Other Exclusions:** This warranty excludes wear items such as quick couplers, oil gauges, belts, o-rings, filters, pump packing, etc., pumps that have been run without water supplied or damage or malfunctions resulting from accidents, abuse, modifications, alterations, or improper servicing or freezing or chemical deterioration. Accessory parts such as guns, hoses, wands and nozzles are excluded from the product warranty. This warranty excludes failures due to acts of God and other force majeure events beyond the manufacturers control. Also excluded is used, reconditioned, and demonstration equipment; equipment used for prime power in place of utility power and equipment used in life support applications.

BRIGGS & STRATTON POWER PRODUCTS GROUP, LLC  
JEFFERSON, WI, USA



## CONSERVE ESTAS INSTRUCCIONES

### TABLA DE CONTENIDOS

Reglas De Seguridad . . . . .	18-20
Conozca Su Generador . . . . .	21
Ensamblaje . . . . .	22-24
Funcionamiento . . . . .	25-28
Mantenimiento . . . . .	29
Almacenamiento . . . . .	30
Diagnosticos De Averías . . . . .	31
Garantía . . . . .	32

### DESCRIPCIÓN DEL EQUIPO

**Lea este manual de manera cuidadosa y familiarícese con su generador. Conozca sus usos, sus limitaciones y cualquier peligro relacionado con el mismo.**

Este generador funciona en base a un motor, de campo eléctrico giratorio y de corriente alterna (AC). Fue diseñado con la finalidad de proveer energía eléctrica para luces eléctricas, aparatos, herramientas compatibles y cargas de motor. El campo giratorio del generador funciona a una velocidad de 3,6000 rpm usando un motor con un solo cilindro.

**¡PRECAUCIÓN!** NO sobrepase la capacidad de vataje y amperaje del generador. Revise "No Sobrecargue Generador".

Se ha hecho cada esfuerzo posible para asegurarse que la información que aparece en este manual es exacta y se encuentra actualizada. Sin embargo, nosotros se reserva el derecho a cambiar, alterar o de otra manera mejorar, el producto y este documento en cualquier momento, sin previo aviso.

El Sistema de Control de Emisiones para este generador está garantizado para juegos estándares por la Agencia de Protección Ambiental y el Consejo de recursos de aire de California. Para mayor información acerca de la garantía, consulte con el Manual del Operario de Motor.

### REGLAS DE SEGURIDAD

**Éste es el símbolo de alerta de seguridad. Sirve para advertir al usuario de un posible riesgo para su integridad física. Siga todos los mensajes de seguridad que figuren después de este símbolo para evitar lesiones o incluso la muerte.**

El símbolo de alerta de seguridad () es usado con una palabra (PELIGRO, ADVERTENCIA, PRECAUCIÓN), un mensaje por escrito o una ilustración, para alertarlo acerca de cualquier situación de peligro que pueda existir. **PELIGRO** indica un riesgo el cual, si no se evita, *causará* la muerte o una herida grave. **ADVERTENCIA** indica un riesgo el cual, si no se evita, *puede* causar la muerte o una herida grave. **PRECAUCIÓN** indica un riesgo, el cual, si no se evita, *puede* causar heridas menores o moderadas. **PRECAUCIÓN**, cuando se usa **sin** el símbolo de alerta, indica una situación que podría resultar en el daño del equipo. Siga los mensajes de seguridad para evitar o reducir los riesgos de heridas e inclusive la muerte.

<b>ADVERTENCIA</b>
<b>El escape del motor de este producto contiene elementos químicos reconocidos en el Estado de California por producir cáncer, defectos de nacimiento u otros daños de tipo reproductivo.</b>

### Símbolos de Peligro y Significados

 Explosión	 Fuego	 Descarga Eléctrica
 Gases Tóxicos	 Retraceso	 Superficie Caliente



### ⚠️ ADVERTENCIA



Al generador funcionar, se produce monóxido de carbono, un gas inodoro y venenoso. El respirar el monóxido de carbono, producirá náusea, desmayo o la muerte.

- Opere el generador SOLAMENTE al aire libre.
- Asegúrese de que los gases de escape no puedan entrar por ventanas, puertas, tomas de aire de ventilación u otras aberturas en un espacio cerrado en el que puedan acumularse.
- NO opere el generador dentro de un edificio o lugar cerrado (aunque haya puertas o ventanas abiertas), incluyendo el compartimiento del generador en un vehículo recreativo o RV.

### ⚠️ ADVERTENCIA



Los generadores producen un voltaje muy poderoso. Si no aísla el generador de utilidades de energía, puede hacer que los trabajadores de electricidad sufran heridas graves e inclusive la muerte, debido a la retroalimentación de la energía eléctrica.

- Cuando use un generador como poder de energía auxiliar, notifique a la compañía de utilidades. Use el equipo de transferencia aprobado para aislar el generador de otra utilidad eléctrica.
- Use un interruptor para la falla del circuito de tierra (GFCI) en cualquier área bastante húmeda o que sea altamente conductiva, tales como terrazas de metal o trabajo hecho con acero.
- NO toque los alambres pelados o receptáculos.
- NO use un generador con cables eléctricos que estén malgastados, rotos, pelados o dañados de cualquier forma.
- NO opere el generador bajo la lluvia.
- NO maneje el generador o cables eléctricos mientras esté parado en agua, descalzo o cuando las manos y los pies estén mojados.
- NO permita que personas descalificadas o niños operen o sirvan al generador.

### ⚠️ ADVERTENCIA



El rápido repliegue del cable del arrancador (retroceso) impedirá que el usuario suelte el cable a tiempo y tirará de su mano y brazo hacia el motor. Como resultado, podrían producirse fracturas, contusiones o esguinces.

- Cuando arranque el motor, tire lentamente del cable hasta sentir una resistencia y, a continuación, tire rápidamente de él para evitar su retroceso.
- NUNCA arranque o pare el motor cuando haya aparatos eléctricos conectados y en funcionamiento.

### ⚠️ ADVERTENCIA



La combustible y sus vapores son extremadamente inflamables y explosivos.



El fuego o una explosión pueden causar quemaduras severas e inclusive la muerte.

#### CUANDO AÑADA COMBUSTIBLE O VACÍE EL DEPÓSITO

- Apague el generador (posición OFF) y déjelo enfriar al menos por 2 minutos antes de remover la tapa de la combustible. Afloje la tapa lentamente para dejar que la presión salga del tanque.
- Llene o vacíe el depósito de combustible a la intemperie.
- NO llene demasiado el tanque. Permita al menos espacio para la expansión del combustible.
- Mantenga la combustible alejada de chispas, llamas abiertas, pilotos, calor y otras fuentes de ignición.
- NO encienda un cigarrillo o fume.

#### CUANDO PONGA EN FUNCIONAMIENTO EL EQUIPO

- Compruebe que la bujía, el silenciador, el tapón del depósito de combustible y el filtro de aire están instalados.
- NO arranque el motor sin la bujía instalada.
- Si se ha derramado combustible, espere a que se evapore antes de arrancar el motor.

#### CUANDO OPERE EL EQUIPO

- NO incline el motor o el equipo, de tal manera que la combustible se pueda derramar.
- Este generador no es apto para el uso en equipos móviles ni en aplicaciones marinas.

#### CUANDO TRANSPORTE O REPARE EL EQUIPO

- Transporte o repare el equipo con el tanque de combustible vacío, o con la válvula para apagar el combustible, apagada (posición OFF).
- Desconecte el cable de la bujía.

#### CUANDO ALMACENE O GUARDE EL EQUIPO CON COMBUSTIBLE EN EL TANQUE

- Almacene alejado de calderas, estufas, calentadores de agua, secadoras de ropa u otros aparatos electrodomésticos que posean pilotos u otras fuentes de ignición, porque ellos pueden encender los vapores de la combustible.

### ⚠️ ADVERTENCIA

- Este generador no cumple la norma 33CFR-183 del cuerpo de guardacostas de EE.UU. y no debe utilizarse en aplicaciones marinas.
- El uso de un generador no homologado por cuerpo de guardacostas de EE.UU. puede provocar lesiones y daños materiales.



**⚠ ADVERTENCIA**

 Chispear involuntario puede tener como resultado el fuego o el golpe eléctrico.




**CUANDO AJUSTE O HAGA REPARACIONES A SU GENERADOR**


- Siempre desconecte el alambre de la bujía y colóquelo donde no pueda entrar en contacto con la bujía.

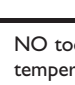
**CUANDO PRUEBE LA BUJÍA DEL MOTOR**

- Utilice un comprobador de bujías homologado.
- NO compruebe la chispa sin la bujía instalada.

**⚠ ADVERTENCIA**

 Los motores al funcionar producen calor. La temperatura del silenciador y de las áreas cercanas puede alcanzar o pasar los 150°F (65°C).

 Quemaduras severas pueden ocurrir al hacer contacto.

 Los gases y el calor de escape pueden inflamar los materiales combustibles y las estructuras o dañar el depósito de combustible y provocar un incendio.

- NO toque las superficies calientes y evite los gases del escape a alta temperatura.
- Permita que el equipo se enfríe antes de tocarlo.
- Deje un espacio mínimo de 152 cm (5 pies) alrededor del generador, incluida la parte superior.
- El Código de Normativa Federal (CFR, Título 36: Parques, Bosques y Propiedad Pública) obliga a instalar una pantalla apagachispas en los equipos con motor de combustión interno y a mantenerla en buenas condiciones de funcionamiento, conforme a la norma 5100-1C (o posterior) del Servicio Forestal de la USDA. En el Estado de California, la ley exige el uso de una pantalla apagachispas (Sección 4442 del Código de Recursos Públicos de California). En otros estados puede haber leyes similares en vigor.

**⚠ PRECAUCIÓN**

Las velocidades de operación en exceso, aumentan los riesgos de heridas y daños al generador.

Las velocidades bajan en exceso, imponen una carga muy pesada.

- NO cambie ninguna velocidad determinada. El generador suministra una frecuencia y un voltaje calificado cuando funciona a una velocidad determinada.
- NO modifique al generador en ninguna forma.

**⚠ PRECAUCIÓN**

El sobrepasar la capacidad del amperaje y vataje del generador, puede dañar al generador y los aparatos eléctricos conectados al mismo.

- Vea "No sobrecargue generador".
- Encienda su generador y deje que el motor se estabilice antes de conectar las cargas eléctricas.
- Conecte las cargas eléctricas en la posición de apagado (OFF), luego encienda (ON) para su operación.
- Apague (OFF) las cargas eléctricas y desconéctelas del generador antes de parar el generador.

**⚠ PRECAUCIÓN**

El tratamiento inadecuado del generador puede dañarlo y acortar su vida productiva.

- Use el generador solamente con la finalidad para el cual fue diseñado.
- Si usted tiene alguna pregunta acerca de las finalidades de uso del generador, pregúntele a su concesionario o contacte el comerciante autorizado.
- Opere el generador solamente en superficies niveladas.
- NO exponga al generador a una humedad excesiva, polvo, suciedad o vapores corrosivos.
- NO inserte cualquier objeto a través de las ranuras de enfriamiento.
- Si los aparatos conectados se sobrecalientan, apáguelos y desconéctelos del generador.
- Apague el generador si:
  - Se pierde la salida eléctrica;
  - El equipo produce chispas, humo o emite llamas;
  - La unidad vibra de una manera excesiva.

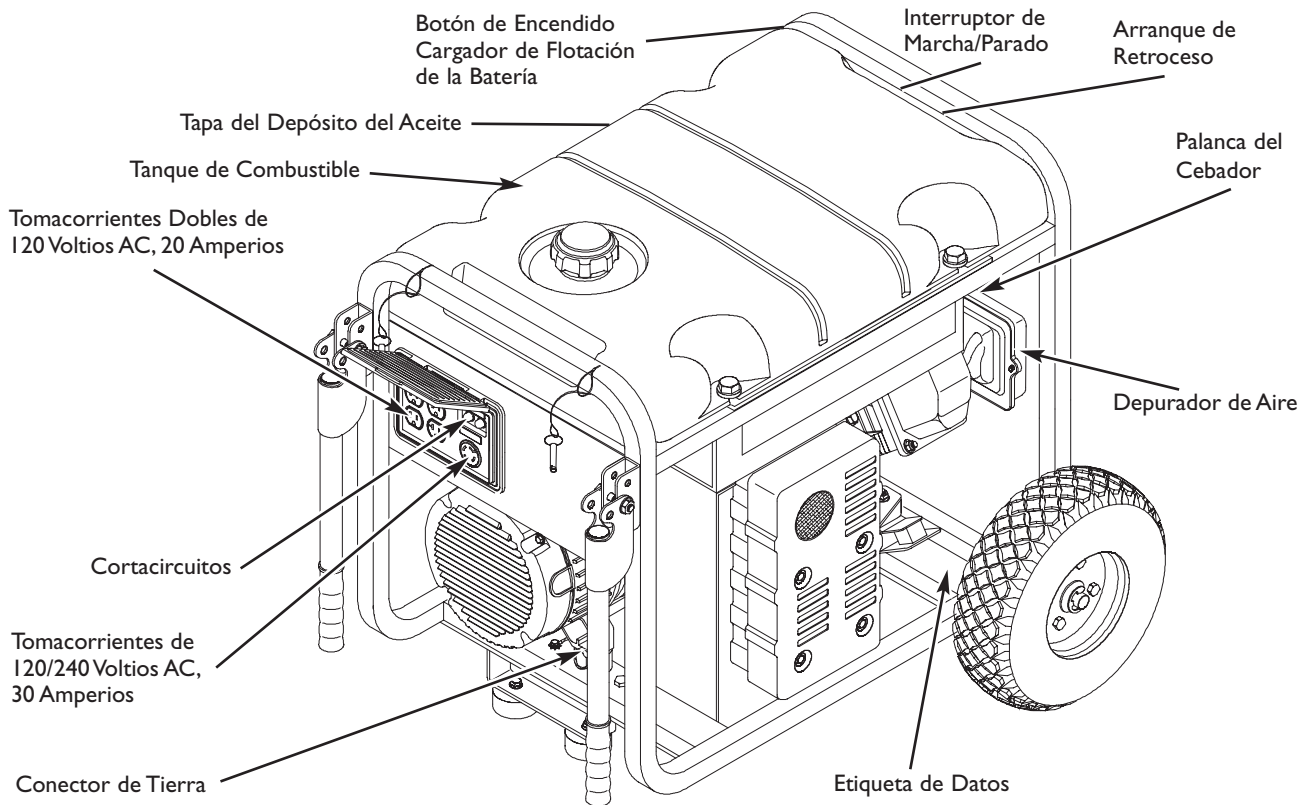


## CONOZCA SU GENERADOR



Lea este Manual del Operario y las reglas de seguridad antes de operar su generador.

Compare las ilustraciones con su Generador para familiarizarse con las ubicaciones de los diferentes controles y ajustes. Conserve este manual para referencias futuras.



**Botón de Encendido** - Cuando es oprimido, hace que el motor se encienda.

**Cargador de Flotación de la Batería** — Utilice el enchufe hembra del cargador de flotación de la batería para mantener la batería de arranque cargada y preparada para el uso.

**Conector de Tierra** — Consulte con el organismo responsable de la normativa vigente de conexión a tierra.

**Cortacircuitos (AC)** — Cada tomacorriente posee un cortacircuito para proteger el generador contra sobrecargas eléctricas. Los cortacircuitos son del tipo “oprimir para reposicionar”.

**Culatazo el Principio** — Usó para comenzar motor.

**Depurador de Aire** — Filtra el aire de entrada a medida que penetra en el motor.

**Etiqueta de Datos** — Proporciona el modelo, revisión y el número de serie de generador. Tenga por favor estos prontamente disponible cuándo llamar para la ayuda.

**Interruptor Balancín** — Deberá estar en la posición “On” (En) para darle arranque al motor. Colóquelo en la posición “Off” (Apagado) para detener un motor en funcionamiento.

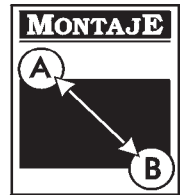
**Palanca del Cebador** — Usada cuando se está dando arranque a un motor frío.

**Tapa del Depósito del Aceite** — Llene el motor con aceite aquí.

**Tanque del Combustible** — El tanque tiene una capacidad de 7 galones americanos de gasolina sin contenido de plomo.

**Tomacorriente Dobles de 120 Voltios AC, 20 Amp** — Pueden ser utilizados para suministrar alimentación eléctrica para el funcionamiento de cargas del motor, herramientas, aparatos especiales e iluminación eléctrica de 120 Voltios AC a 20 Amperios, monofásica de 60 Hz.

**Tomacorriente con Dispositivo de Seguridad de 120/240 Voltios, 30 Amp** — Puede ser utilizado para suministrar alimentación eléctrica para el funcionamiento de cargas del motor, herramientas, aparatos especiales e iluminación eléctrica de 120 y/o 240 Voltios AC a 30 Amperios, monofásica de 60 Hz.



## MONTAJE

Su generador requiere de ciertos procedimientos de montaje y solo estará listo para ser utilizado después de haberle suministrado servicio con el combustible y aceite recomendados.

**Si usted tiene problemas con el montaje de su generador, por favor llame a la línea de ayuda para generadores al 1-800-743-4115.** Si llamar para la ayuda, tiene por favor el modelo, la revisión y el número de serie de etiqueta de datos disponible.

### Desembalaje del Generador

1. Coloque la caja de cartón en una superficie rígida y plana.
2. Saque todo el contenido de la caja de cartón, a excepción del generador.
3. Abra completamente la caja de cartón cortando cada una de sus esquinas de arriba abajo.
4. Mantenga el generador sobre el cartón para instalar el juego de ruedas.

### Contenido de la Caja

Revise todo el contenido comparándolo con la lista a continuación:

- Unidad Principal
- Aceite del Motor
- Manual del Operario
- Manual del Operario del Motor
- Corcel de Batería
- Juego de Ruedas

Si cualquier parte falta o está dañada, llame a la Línea de Ayuda del Generador al **1-800-743-4115**.

## ARRANQUE ELÉCTRICO

El arranque del generador se puede realizar manualmente. Si decide no utilizar la función de arranque eléctrico de este generador, no será necesario instalar la batería.

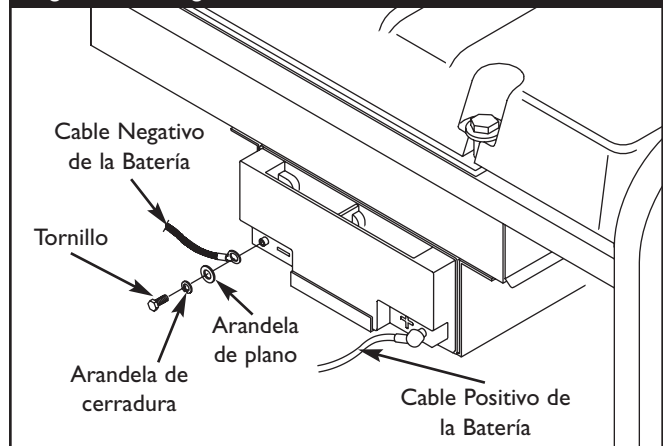
### Verifique la Batería / Conecte el Cable Negativo de la Batería

La batería sellada en el generador esta completamente cargada y ha sido pre-instalada, excepto por el cable negativo (negro) de batería.

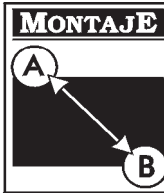
**Para instalar:**

1. Corte el cablecito que está aguantando el cable negro, para poderlo usar.
2. Remueva la tornillo, arandela de cerradura y arandelas de plano en el terminal negativo de la batería.
3. Deslice la arandela de cerradura, arandelas de plano y el cable negativo de la batería sobre el tornillo (Figura 10).

Figura 10 — Negativo Alambre las Conexiones



4. Reconecte la tornillo en el terminal negativo y apriétela.
5. Asegúrese que las conexiones a la batería y al generador están apretadas y aseguradas.



## Instale el Juego de Ruedas

El juego de ruedas está diseñado para mejorar el transporte del generador.

**NOTA:** Este Juego de Ruedas no ha sido diseñado para ser usado en la carretera.

Necesitará las siguientes herramientas para instalar estos componentes:

- llave de cubo de 1/2" ó 13 mm
- llave fija de 1/2" ó 13 mm
- llave de cubo de 7/16"
- llave fija de 7/16"
- alicates de punta fina
- gafas de seguridad

### Instale el Juego de Ruedas Como Sigue (Figura 11):

1. Dele la vuelta al generador de forma que el motor quede arriba.
2. Introduzca el eje a través de los dos soportes de montaje.
3. Monte una rueda en el eje.

**NOTA:** Asegúrese de instalar ambas ruedas con la válvula de aire hacia el lado de afuera.

4. Introduzca una arandela por el eje y coloque una anilla en "e" en la ranura del eje.

5. Para ello, apriete con unos alicates desde la parte superior de la anilla en "e" hacia la parte inferior del eje.

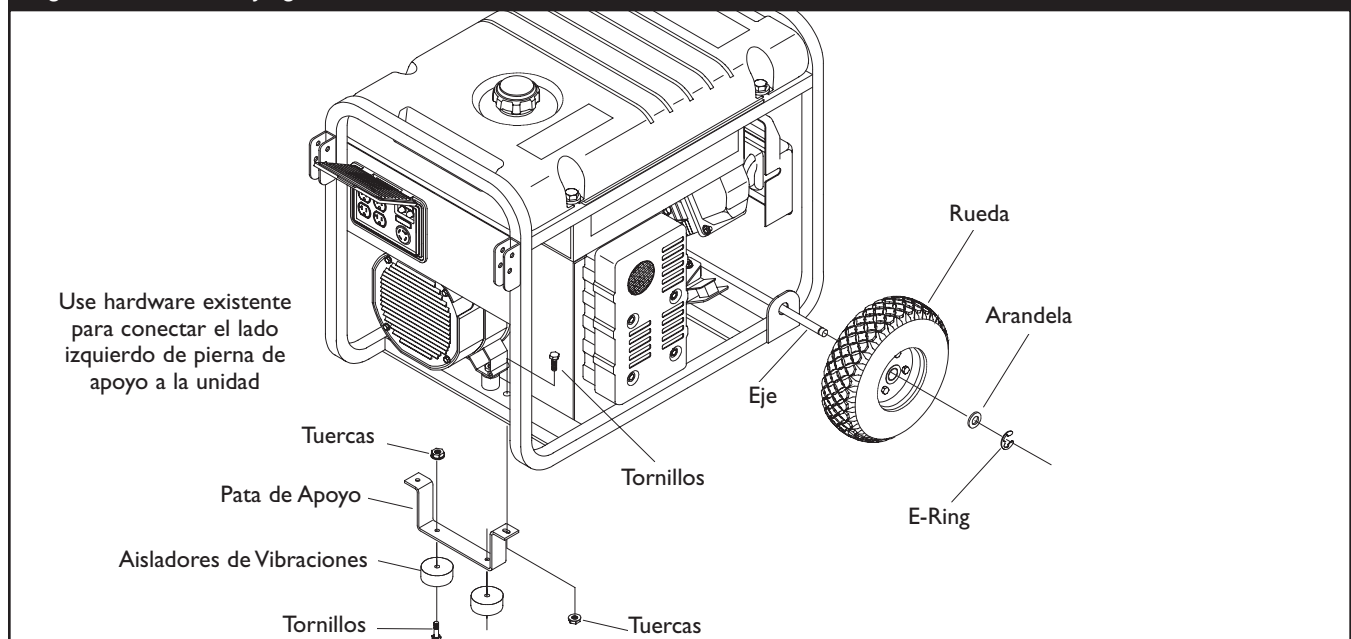
**PRECAUCIÓN**

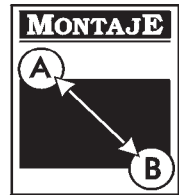
Las anillas en "e" pueden provocar lesiones oculares. Las anillas en "e" pueden salir disparadas durante el montaje o el desmontaje.

- Utilice siempre protección ocular para montar o desmontar anillas en "e".

6. Repita los pasos del 3 al 5 para asegurar la segunda rueda.
7. Dele la vuelta al generador de forma que el lado del motor quede abajo.
8. Fije los bloques amortiguadores de vibraciones a la pata de apoyo con tornillos de cabeza 1/4-20 x 1" y tuercas 1/4-20.
9. Quite el hardware existente del monte izquierdo de la vibración de la unidad con 13 mm llave inglesa. Use el mismo hardware para conectar la pierna de apoyo.
10. Conecte el otro lado de la pierna de apoyo con un M8x20 mm tornillo de la tapa y nuez de cerradura de M8. Descanse el generador en la pierna de ruedas y apoyo.
11. Vuelva a colocar el generador en la posición normal de funcionamiento (apoyado en las ruedas y la pata de apoyo).
12. Verifique que todas las piezas estén apretadas y las llantas estén infladas al valor marcó en la llanta o dentro de 15 y 40 psi.

Figura 11 — Instale el Juego de Ruedas





## ANTES DE DARLE ARRANQUE AL MOTOR

### Agregar Aceite al Motor

- Coloque la generador sobre una superficie nivelada.

#### PRECAUCIÓN

Cualquier intento para arrancar el motor antes de haberle proporcionado el mantenimiento apropiado con el aceite recomendado, podría ocasionar la falla del motor.

- Consulte el manual del operario del motor para añadir al motor el aceite recomendado
  - El daño a la lavadora a presión, resultado de la desatención a esta precaución, no será cubierto por la garantía.
- Consulte el manual del operario del motor para añadir al motor el aceite recomendado.

**NOTA: Verifique el aceite del motor de manera frecuente cuando éste se esfuerce demasiado. Consulte el manual del operario del motor para conocer cuáles son las recomendaciones al respecto.**

**NOTA:** El campo giratorio del generador se encuentra en un cojinete pre-lubricado y sellado que no requiere lubricación adicional por la vida útil del cojinete.

### Agregue Combustible

**NOTA:** Este motor está certificado para funcionar con gasolina. Sistema de control de emisiones de gases de escape: EM (Modificaciones del motor).

#### ADVERTENCIA



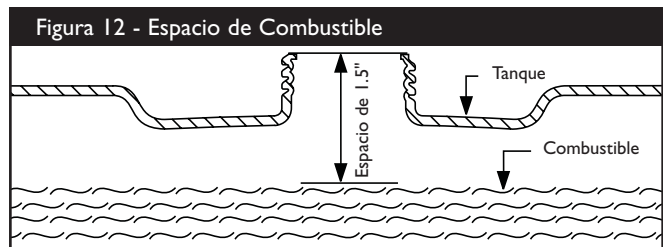
La combustible y sus vapores son extremadamente inflamables y explosivos.



El fuego o una explosión pueden causar quemaduras severas e inclusive la muerte.

#### CUANDO AÑADA COMBUSTIBLE

- Apague el generador (posición OFF) y déjelo enfriar al menos por 2 minutos antes de remover la tapa de la combustible. Afloje la tapa lentamente para dejar que la presión salga del tanque.
  - Llene el depósito de combustible a la intemperie.
  - NO llene demasiado el tanque. Permita al menos espacio para la expansión del combustible.
  - Mantenga la combustible alejada de chispas, llamas abiertas, pilotos, calor y otras fuentes de ignición.
  - NO encienda un cigarrillo o fume.
1. Utilice combustible normal sin plomo, limpia y nueva con un mínimo de 85 octanos. NO utilice combustible que contenga metanol ni mezcle aceite con combustible.
  2. Limpie el área alrededor de la tapa de llenado del combustible, retire la tapa.
  3. Agregue lentamente combustible regular "SIN PLOMO" al tanque de combustible. Use un embudo para evitar que se derrame. Llene el tanque lentamente hasta aproximadamente 1.5" por debajo de la parte la cima del cuello del tubo de llenado (Figura 12).



4. Instale la tapa del tanque de combustible y limpie el combustible que se haya derramado.





## USO DEL GENERADOR

### Tierra del Sistema

El generador dispone de una conexión a tierra del sistema que conecta los componentes del bastidor a los terminales de tierra de los enchufes hembra de salida de CA. La tierra del sistema está conectada al cable de CA neutro que, a su vez, está conectado al bastidor del generador (vea “Descripción del Equipo”).

### Requisitos Especiales

Es posible que haya normas u ordenanzas locales y nacionales en materia de seguridad e higiene en el trabajo aplicables al uso del generador. Consulte con un electricista cualificado, un inspector eléctrico o el organismo competente.

- En algunas zonas, es obligatorio registrar los generadores en las compañías eléctricas locales.
- Si el generador se utiliza en una obra, puede ser necesario cumplir normas y requisitos adicionales.

### Conexión al Sistema Eléctrico de un Edificio

Las conexiones a efectos de alimentación de reserva al sistema eléctrico de un edificio deben ser realizadas por un electricista cualificado. La conexión debe aislar la alimentación del generador de la alimentación de la red pública y debe cumplir todas las leyes y normas eléctricas vigentes.

#### ADVERTENCIA



Los generadores producen un voltaje muy poderoso. Si no aísla el generador de utilidades de energía, puede hacer que los trabajadores de electricidad sufran heridas graves e inclusive la muerte, debido a la retroalimentación de la energía eléctrica.

- Cuando use un generador como poder de energía auxiliar, notifique a la compañía de utilidades. Use el equipo de transferencia aprobado para aislar el generador de otra utilidad eléctrica.
- Use un interruptor para la falla del circuito de tierra (GFCI) en cualquier área bastante húmeda o que sea altamente conductiva, tales como terrazas de metal o trabajo hecho con acero.
- NO toque los alambres pelados o receptáculos.
- NO use un generador con cables eléctricos que estén malgastados, rotos, pelados o dañados de cualquier forma.
- NO opere el generador bajo la lluvia.
- NO maneje el generador o cables eléctricos mientras esté parado en agua, descalzo o cuando las manos y los pies estén mojados.
- NO permita que personas descalificadas o niños operen o sirvan al generador.

## Ubicación del Generador

### Espacio Libre Alrededor del Generador

#### ADVERTENCIA



Los gases y el calor de escape pueden inflamar los materiales combustibles y las estructuras o dañar el depósito de combustible y provocar un incendio.

- Deje un espacio mínimo de 152 cm (5 pies) alrededor del generador, incluida la parte superior.

Sitúe el generador en una zona bien ventilada que permita la eliminación de los gases de escape mortales. No instale el generador en lugares en los que los gases de escape se puedan acumular o entrar en un edificio que pueda estar ocupado. Asegúrese de que los gases de escape no puedan entrar por ventanas, puertas, tomas de aire de ventilación u otras aberturas en un espacio cerrado en el que puedan acumularse (Figura 13). Tenga en cuenta los vientos y las corriente de aire preponderantes cuando elija la ubicación del generador.

#### ADVERTENCIA

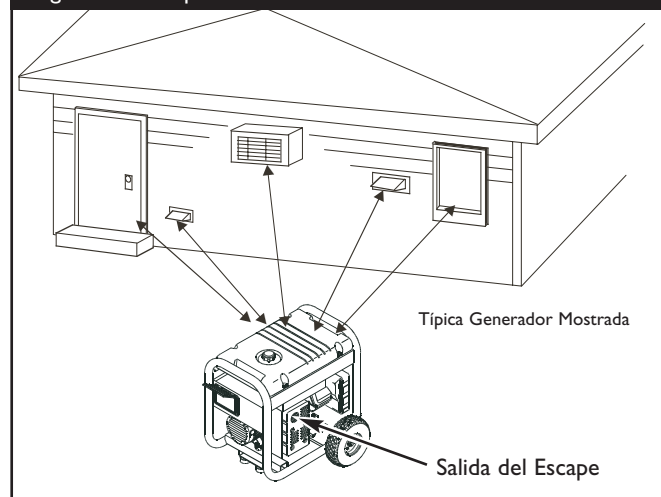


Al generador funcionar, se produce monóxido de carbono, un gas inodoro y venenoso.

El respirar el monóxido de carbono, producirá náusea, desmayo o la muerte.

- Opere el generador SOLAMENTE al aire libre.
- Asegúrese de que los gases de escape no puedan entrar por ventanas, puertas, tomas de aire de ventilación u otras aberturas en un espacio cerrado en el que puedan acumularse.
- NO opere el generador dentro de un edificio o lugar cerrado (aunque haya puertas o ventanas abiertas), incluyendo el compartimiento del generador en un vehículo recreativo o RV.

Figura 13 — Espacio Libre Alrededor del Generador



## OPERANDO EL GENERADOR

### Encienda el Motor

Desconecte todas las cargas eléctricas del generador. Use las siguientes instrucciones para encender:

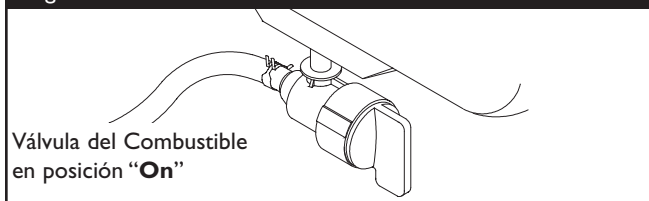
**IMPORTANTE:** Desenchufe siempre el cargador de flotación de la batería antes de arrancar el generador.

1. Asegúrese de que la unidad está en una superficie plana.

**IMPORTANTE:** Si la unidad no se arranca y utiliza en una superficie plana, se pueden producir problemas de arranque y de parada durante el funcionamiento.

2. Gire la válvula del combustible a la posición "On" (Figura 14). El asidero de la válvula del combustible debe ser vertical (señalar hacia el suelo) para el combustible para fluir.

Figura 14 — Válvula de Combustible



3. Ponga en marcha el motor tal y como se explica en el manual del operario del motor.

### ⚠ ADVERTENCIA



El rápido repliegue del cable del arrancador (retroceso) impedirá que el usuario suelte el cable a tiempo y tirará de su mano y brazo hacia el motor. Como resultado, podrían producirse fracturas, contusiones o esguinces.

- Cuando arranque el motor, tire lentamente del cable hasta sentir una resistencia y, a continuación, tire rápidamente de él para evitar su retroceso.
- NUNCA arranque o pare el motor cuando haya aparatos eléctricos conectados y en funcionamiento.

**NOTA:** Si el motor arranca después de tirar tres veces del arrancador pero no sigue funcionando, o si la unidad se para en funcionamiento, asegúrese de que la unidad está en una superficie plana y compruebe que el nivel de aceite del cigüeñal es correcto. La unidad puede equiparse con un dispositivo de protección de bajo nivel de aceite.

### ⚠ ADVERTENCIA



Los motores al funcionar producen calor. La temperatura del silenciador y de las áreas cercanas puede alcanzar o pasar los 150°F (65°C).

Quemaduras severas pueden ocurrir al hacer contacto.



Los gases y el calor de escape pueden inflamar los materiales combustibles y las estructuras o dañar el depósito de combustible y provocar un incendio.

- NO toque las superficies calientes y evite los gases del escape a alta temperatura.
- Permita que el equipo se enfríe antes de tocarlo.
- Deje un espacio mínimo de 152 cm (5 pies) alrededor del generador, incluida la parte superior.
- El Código de Normativa Federal (CFR, Título 36: Parques, Bosques y Propiedad Pública) obliga a instalar una pantalla apagachispas en los equipos con motor de combustión interno y a mantenerla en buenas condiciones de funcionamiento, conforme a la norma 5100-1C (o posterior) del Servicio Forestal de la USDA. En el Estado de California, la ley exige el uso de una pantalla apagachispas (Sección 4442 del Código de Recursos Públicos de California). En otros estados puede haber leyes similares en vigor.

### Conexion De Cargas Electricas

- Deje que el motor se estabilice y se caliente por unos minutos después del arranque.
- Conecte y encienda las cargas eléctricas de 120 y/o 240 Voltios AC monofásicas de 60 Hz que desee.
- NO conecte cargas de 240 Voltios a tomacorrientes de 120 Voltios.
- NO conecte cargas trifásicas al generador.
- NO conecte cargas de 50 Hz al generador.
- **NO SOBRECARGUE EL GENERADOR.** Vea "No Sobrecargue Generador".

### PRECAUCIÓN

El sobrepasar la capacidad del amperaje y vataje del generador, puede dañar al generador y los aparatos eléctricos conectados al mismo.

- Vea "No sobrecargue generador".
- Encienda su generador y deje que el motor se estabilice antes de conectar las cargas eléctricas.
- Conecte las cargas eléctricas en la posición de apagado (OFF), luego encienda (ON) para su operación.
- Apague (OFF) las cargas eléctricas y desconéctelas del generador antes de parar el generador.



## Parado Del Motor

1. Gire lejos y desconecte todas las cargas eléctricas de los tomacorrientes del panel del generador. NUNCA arranque o detenga el motor con todos los dispositivos eléctricos conectados y encendidos.
2. Deje que el motor funcione sin cargas por algunos minutos para estabilizar las temperaturas internas del motor y el generador.
3. Pare el motor tal y como se explica en el manual del operario del motor.
4. Cierre la válvula del combustible.

## RECEPTÁCULOS

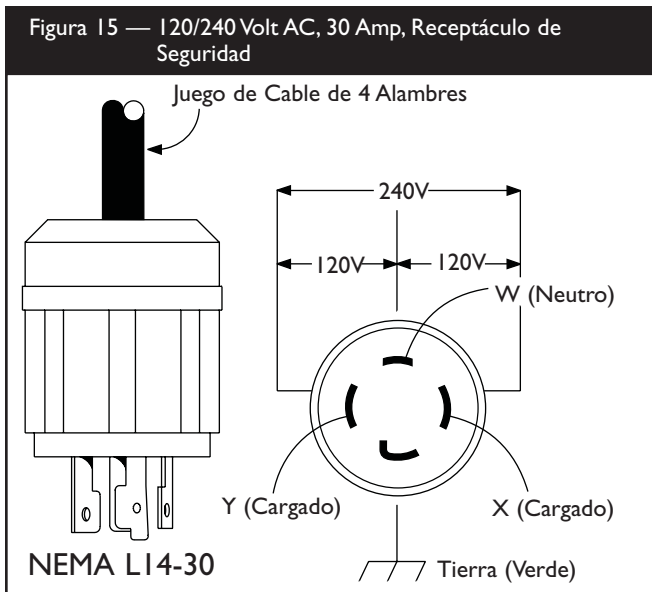
### PRECAUCIÓN

El valor nominal que se indica en los enchufes hembra puede ser superior a la capacidad de salida del generador.

- NUNCA intente suministrar corriente a un dispositivo de amperaje superior al que puede suministrar el generador o el enchufe hembra.
- NO sobrecargue el generador. Consulte el apartado "No Sobrecargue Generador".

## 120/240 Voltios AC, 30 Amp, Receptáculo de Seguridad

Use un tapón NEMA L14-30 con este receptáculo. Conecte un juego de cable de 4 alambres, clasificado como 250 Voltios AC a 30 Amps (o mayor) (Figura 15). Usted puede usar el mismo cable de 4-alambres si planea trabajar con una carga de 120 Voltios.



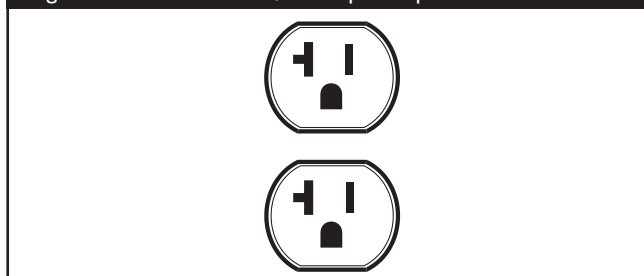
Este receptáculo le provee poder a cargas de 120/240 Voltios AC, de 60 Hz, fase sencilla, que requieren hasta 3,100 vatios de energía

a 25.8 Amperios, para 120 Voltios; 6,200 vatios de energía (6.2 kW) a 25.8 Amperios para 240 Voltios. La salida está protegida por un corto-circuito de, del tipo "empuje para reposicionar".

## 120 Volt AC, 20 Amp, Receptáculos Dobles

Cada receptáculo (Figura 16) está protegido en contra de sobrecargas por un corto-circuitos de, del tipo "empuje para reposicionar".

Figura 16 — 120 Volt AC, 20 Amp Receptáculo Doble



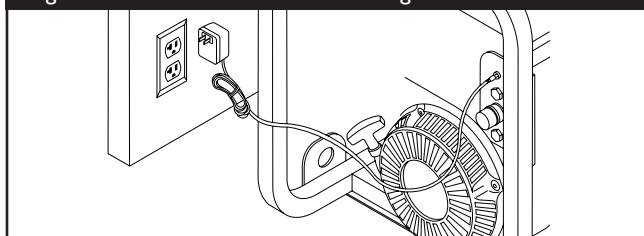
Use cada receptáculo para operar 120 Voltios AC, de fase sencilla, de cargas de 60Hz que requieren hasta 2,400 vatios (2.4 kW) a corrientes de 20 Amps. Use los juegos de cables que son calificados para cargas de 125 Voltios AC, a 20 Amps (o mayores).

## CARGADOR DE BATERÍA

Utilice el enchufe hembra del cargador de flotación (carga lenta y continua) de la batería para mantener la batería de arranque cargada y preparada para el uso. La carga de la batería se debe realizar en un lugar seco, como el interior de un garaje.

1. Conecte el cargador al enchufe hembra "Battery Float Charger" (Cargador de flotación de la batería) de la unidad, que se encuentra en el interruptor de arranque (Figura 17). Enchufe el cargador de la batería a una toma de pared de 120V CA.

Figura 17 — Enchufe Hembra del Cargador de Flotación



2. Desconecte el cargador de la unidad y del enchufe de la pared durante el arranque del generador y mientras esté funcionando.
3. Mantenga el cargador enchufado cuando el generador no se esté utilizando, para prolongar la vida de la batería. El cargador incorpora un equalizador de flotación que impide la sobrecarga de la batería, incluso aunque esté enchufado durante un largo periodo de tiempo.

**IMPORTANTE:** Para obtener más información al respecto, consulte "Mantenimiento de la Batería" en la página 29.



## NO SOBRECARGUE GENERADOR

### Capacidad

Usted debe asegurarse que su generador puede proveer el suficiente vataje calificado (cuando esté funcionando) y de carga (al encender) para los aparatos a los cuales va a proveer la energía, al mismo tiempo. Siga estos pasos:

1. Seleccione los aparatos que recibirán la energía, al mismo tiempo.
2. Totalice los vatios calificados (cuando esté funcionando) de estos aparatos. Esta es la cantidad de energía que su generador debe producir para mantener esos aparatos funcionando adecuadamente. Vea la Figura 18.
3. Calcule la cantidad de vatios de carga (al encender) que usted necesitará. El vataje de carga es la cantidad mínima de electricidad, necesaria para encender herramientas o aparatos con motores eléctricos, tales como, sierras circulares o refrigeradores. Debido a que no todos los motores se encienden al mismo momento, el vataje total de carga se puede estimar al añadir solamente el(los) aparato(s) con el vataje adicional más alto, al total del vataje calificado, obtenido en el paso 2.

#### Ejemplo:

Herramienta o Aparato Eléctrico	Vatios Calificados (cuando esté funcionando)	Vatios Adicionales de Carga (al encender)
Aire Acondicionado de Ventana	1200	1800
Refrigerador	800	1600
Congelador industrial	500	500
Televisión	500	-
Luz (75 Vatios)	75	-
	Total = 3075 Vatios para funcionar	1800 (Vatios de Carga más alto)

Vataje Total Calificado (cuando esté funcionando) = 3075

Vataje de Carga Adicional más alto = 1800

Salida Total Requerida del Generador = 4875

### Control de la Energía

Para prolongar la vida de su generador y los aparatos que estén conectados al mismo, es muy importante cuidarlo cuando se le añaden cargas eléctricas. Nada debería estar conectado a los tomacorrientes del generador antes de que su motor sea encendido. La forma correcta y más segura para controlar la energía del generador, es la de añadir en secuencias las cargas, como se describe a continuación:

1. Sin tener nada conectado al generador, encienda el motor de la manera descrita en este manual.
2. Conecte y encienda la primera carga, preferiblemente la mayor que usted tenga.
3. Permita que la salida del generador se estabilice (el motor funciona suavemente y el aparato conectado al mismo trabaja adecuadamente).

4. Conecte y encienda la próxima carga.
5. De nuevo, permita que el generador se estabilice.
6. Repita los pasos 4 y 5 para cada carga adicional que usted tenga.

NUNCA añada más cargas sobre la capacidad del generador. Tome una atención especial en considerar las cargas de corriente según la capacidad del generador, como se describe arriba.

Figura 18 - Guía de Referencia de Vataje

Herramienta o Aparato Eléctrico	Vatios Calificados* (cuando esté funcionando)	Vatios Adicionales de Carga (al encender)
<b>Esenciales</b>		
Bombilla - 75 vatios	75	-
Congelador industrial	500	500
Bomba de aguas negras	800	1200
Refrigerador / congelador - 18 pies cúbicos	800	1600
Bomba de agua - 1/3 HP	1000	2000
<b>Calefacción / enfriamiento</b>		
Aire Acond. de ventana - 10.000 BTU	1200	1800
Ventilador de ventana	300	600
Calefactor de caldera - 1/2 HP	800	1300
<b>Cocina</b>		
Horno de microondas - 1.000 Vatios	1000	-
Cafetera	1500	-
Cocina eléctrica - Elemento simple	1500	-
Calentaplatos	2500	-
<b>Habitación Familiar</b>		
Tocador de DVD/CD	100	-
VCR	100	-
Receptor estéreo	450	-
Televisor a color - 27 pulg.	500	-
Computadora personal con monitor de 17 pulg.	800	-
<b>Otros</b>		
Sistema de seguridad	180	-
Radio-Reloj AM/FM	300	-
Abridor de garaje - 1/2 HP	480	520
Calentador eléctrico de agua - 40 galones	4000	-
<b>Taller</b>		
Luz de halógeno para trabajar	1000	-
Rociador sin aire - 1/3 HP	600	1200
Sierra intercambiable	960	960
Taladro eléctrico - 1/2 HP	1000	1000
Sierra circular - 7 1/4 pulg.	1500	1500
Sierra inglete - 10 pulg.	1800	1800
Mesa de planificación - 6 pulg.	1800	1800
Sierra de mesa / sierra de brazo radial - 10 pulg.	2000	2000
Compresor de aire - 1-1/2 HP = Caballo de fuerza.	2500	2500

\*El vataje que aparece en la lista es solamente una cantidad aproximada. Verifique la herramienta o aparato eléctrico para obtener el vataje verdadero.



## ESPECIFICACIONES

Potencia Máxima . . . . . 8,700 Vatios (8.7 kW)  
 Potencia de Sobretensión . . . . . 6,200 Vatios (6.2 kW)  
 Voltaje Nominal AC . . . . . 120/240 Voltios  
 Corriente Máxima a 240 Voltios . . . . . 25.8 Amperios  
 Corriente Máxima a 120 Voltios . . . . . 51.6 Amperios  
 Frecuencia Nominal . . . . . 60Hz a 3600 rpm  
 Fase . . . . . Monofásica  
 Tanque del Combustible . . . . . 7 Galones Americanos  
 Peso que Embarca . . . . . 198 lbs.

## RECOMENDACIONES GENERALES DE MANTENIMIENTO

El propietario / operador es responsable por asegurarse de que todos los trabajos periódicos de mantenimiento se lleven a cabo adecuadamente; que todos los problemas son resueltos; y que la unidad se mantiene limpia y adecuadamente almacenada. NUNCA opere un generador que esté dañado o defectuoso.

**NOTA:** Debe tener las preguntas acerca de reemplazar los componentes en su máquina generador de Briggs & Stratton Power Products, llaman por favor **1-800-743-4115** para la ayuda.

### Mantenimiento del Motor

Consulte el manual del operario del motor para las instrucciones de cómo mantener adecuadamente el motor.

**PRECAUCIÓN**

Evite el contacto prolongado o repetido de piel con aceite usado de motor.

- El aceite usado del motor ha sido mostrado al cancer de la piel de la causa en ciertos animales del laboratorio.
- Completamente lavado expuso áreas con el jabón y el agua.



MANTENGA FUERA DE ALCANCE DE NIÑOS. NO CONTAMINE. CONSERVE los RECURSOS. VUELVA ACEITE USADO A la COLECCION CENTRA.

### Mantenimiento del Generador

El mantenimiento del generador consiste en conservar la unidad limpia y seca. Opere y almacene la unidad en un ambiente limpio y seco donde no será expuesta al polvo, suciedad, humedad o vapores corrosivos. Las ranuras del aire de enfriamiento del generador no deben estar tapadas con nieve, hojas, o cualquier otro material extraños. Revise frecuentemente la limpieza del generador y límpielo cuando esté con polvo, sucio, con aceite, humedad, o cuando otras sustancias extrañas sean visibles en su superficie exterior.

**NOTA:** NO recomendamos el uso de mangueras de jardín para limpiar el generador. El agua podría introducirse en el sistema de combustible del motor y causar problemas. Además, si el agua se introduce al generador a través de las ranuras para aire de enfriamiento, algo del agua quedará retenida en los espacios vacíos y grietas del aislamiento del devanado del estator y rotor. La acumulación de agua y suciedad en los devanados internos del generador disminuirá eventualmente la resistencia del aislamiento de estos devanados.

**ADVERTENCIA**

Chispear involuntario puede tener como resultado el fuego o el golpe eléctrico.

**CUANDO AJUSTE O HAGA REPARACIONES A SU GENERADOR**

- Siempre desconecte el alambre de la bujía y colóquelo donde no pueda entrar en contacto con la bujía.

**CUANDO PRUEBE LA BUJÍA DEL MOTOR**

- Utilice un comprobador de bujías homologado.
- NO compruebe la chispa sin la bujía instalada.

### Mantenimiento de la Batería

La conservación ningún otro se requiere para la batería.

**IMPORTANTE:** Cargar de batería se debe realizar en una ubicación seca, tal como dentro de un garaje.

### Para Limpiar el Generador

- Utilice un trapo húmedo para limpiar las superficies exteriores.

**PRECAUCIÓN**

El tratamiento inadecuado del generador puede dañarlo y acortar su vida productiva.

- NO esponga al generador a una humedad excesiva, polvo, suciedad o vapores corrosivos.
- NO inserte cualquier objeto a través de las ranuras de enfriamiento.

- Puede usar un cepillo de cerdas suaves para retirar la suciedad endurecida, aceite, etc.
- Puede usar una máquina aspiradora para eliminar suciedad y residuos sueltos.
- Puede usar aire a baja presión (que no exceda los 25 psi) para eliminar la suciedad. Inspeccione las ranuras para aire de enfriamiento y la apertura del generador. Estas aperturas deberán mantenerse limpias y despejadas.



## ALMACENAMIENTO

El generador deberá ser encendido al menos una vez cada siete días y deberá dejarlo funcionar al menos durante 30 minutos. Si no puede hacer esto y debe almacenar la unidad por más de 30 días, siga las siguientes instrucciones para preparar su unidad para almacenamiento.

### Almacenando el Generador

- Limpie el generador como está descrito en ("Para Limpiar el Generador").
- Revise que las ranuras para el aire de enfriamiento y las aperturas del generador se encuentren abiertas y despejadas.



### ADVERTENCIA



Las cubiertas para almacenamiento pueden ser inflamables.

- NO coloque una cubierta encima de un generador caliente.
- Deje que la unidad se enfríe lo suficientemente antes de que le coloque la cubierta.

### Almacenando el Motor

Consulte el manual del operario del motor para las instrucciones de cómo preparar adecuadamente el motor para su almacenamiento.

### Otras Sugerencias Para el Almacenando

- Para evitar la formación de carbonilla en el circuito de combustible o en piezas esenciales del carburador, añada estabilizador de combustible al depósito de combustible y llene este de gasolina nueva. Haga funcionar la unidad durante varios minutos para que el aditivo circule a través del carburador. La unidad y el combustible se pueden almacenar durante un máximo de 24 meses. El estabilizador de combustible se puede adquirir donde se vaya a usar el equipo.
- NO almacene gasolina de una estación a otra estación, al menos que haya sido tratada como se mencionó antes.
- Reemplace la caneca de gasolina si comienza a oxidarse. El óxido y/o la suciedad en la gasolina le causará problemas.
- Almacene la unidad en un área limpia y seca.



## DIAGNOSTICOS DE AVERÍAS

Problema	Accion	Causa
<b>El motor está funcionando pero no existe salida de AC disponible.</b>	<ol style="list-style-type: none"><li>1. El interruptor automático de circuito está abierto.</li><li>2. Conexión mal o defectuosa del juego de cables.</li><li>3. El dispositivo conectado está dañado.</li><li>4. Avería en el generador.</li></ol>	<ol style="list-style-type: none"><li>1. Reposicione el interruptor.</li><li>2. Revise y repare.</li><li>3. Conecte otro dispositivo que esté buenas condiciones.</li><li>4. Contacte el distribuidor de servicio autorizado.</li></ol>
<b>El motor funciona bien sin carga pero "funciona mal" cuando se le conectan cargas.</b>	<ol style="list-style-type: none"><li>1. Corto circuito en una de las cargas conectadas.</li><li>2. El generador está sobrecarga.</li><li>3. Circuito del generador en corto.</li></ol>	<ol style="list-style-type: none"><li>1. Desconecte la carga eléctrica en corto.</li><li>2. Vea "No Sobrerecarque Generador".</li><li>3. Contacte el distribuidor de servicio autorizado.</li></ol>
<b>El motor no se enciende; o se enciende y funciona mal.</b>	<ol style="list-style-type: none"><li>1. La batería defectuosa.</li><li>2. Nivel de aceite insuficiente.</li></ol>	<ol style="list-style-type: none"><li>1. Reemplace batería.</li><li>2. Llene el cárter hasta el nivel correcto o sitúe el generador en una superficie plana.</li></ol>
<b>El motor se apaga en pleno funcionamiento.</b>	<ol style="list-style-type: none"><li>1. Sin gasolina.</li><li>2. Nivel de aceite insuficiente.</li></ol>	<ol style="list-style-type: none"><li>1. Llene el tanque de combustible.</li><li>2. Llene el cárter hasta el nivel correcto o sitúe el generador en una superficie plana.</li></ol>
<b>Al motor le hace falta potencia.</b>	La carga es muy alta.	Vea "No Sobrerecarque Generador".

## POLÍTICA DE GARANTÍA PARA EL PROPIETARIO DE EQUIPOS BRIGGS & STRATTON POWER PRODUCTS GROUP, LLC

Fecha de entrada en vigor: 1 de Septiembre de 2004. Sustituye a todas las garantías sin fecha y a las de fecha anterior al 1 de Septiembre de 2004

### GARANTÍA LIMITADA

Briggs & Stratton Power Products Group, LLC reparará o sustituirá sin cargo alguno cualquier componente del equipo que presente defectos de materiales y/o mano de obra. Los gastos de transporte de las piezas enviadas para reparar o sustituir conforme a los términos de esta garantía correrán a cargo del comprador. El periodo de vigencia y las condiciones de esta garantía son los que se estipulan a continuación. Para obtener servicio en garantía, localice el distribuidor de servicio autorizado más próximo en nuestro mapa de distribuidores, en [www.briggspowerproducts.com](http://www.briggspowerproducts.com).

NO EXISTE NINGUNA OTRA GARANTÍA EXPLÍCITA. LAS GARANTÍAS IMPLÍCITAS, INCLUIDAS LAS DE COMERCIABILIDAD O IDONEIDAD PARA UN FIN CONCRETO, SE LIMITAN A UN AÑO DESDE LA FECHA DE COMPRA O AL LÍMITE DE TIEMPO PERMITIDO POR LA LEY. QUEDAN EXCLUIDAS TODAS LAS GARANTÍAS IMPLÍCITAS QUEDA EXCLUIDA LA RESPONSABILIDAD POR DAÑOS SECUNDARIOS Y DERIVADOS HASTA EL LÍMITE PERMITIDO POR LA LEY. Algunos países o estados no permiten limitar la duración de una garantía implícita ni excluir o limitar los daños secundarios y derivados. Por tanto, es posible que las limitaciones y exclusiones mencionadas no sean aplicables en su caso. Esta garantía le otorga determinados derechos legales y es posible que tenga otros derechos que pueden variar de un país o estado a otro.

### NUESTRO EQUIPO\*

MOTOR FUERABORDA	LIMPIADORA A PRESIÓN	BOMBA DE AGUA (No disponible en EE.UU.)	GENERADOR PORTÁTIL SOLDADORA	SISTEMA DE GENERADOR DE RESERVA DOMÉSTICO		
				Menos de 10 kW	10 kW ó más	Conector

### PERÍODO DE GARANTÍA\*\*

Uso del consumidor	2 años	1 año	1 año	2 años	2 años	3 años ó 1.500 horas	3 años
Uso comercial	ninguno	90 días	90 días	1 año	ninguno	ninguno	ninguno

\* El motor y las baterías de arranque sólo están cubiertos por la garantía de su fabricante.

\*\* 2 años para todos los productos de consumo en la Unión Europea. Componentes sólo durante el segundo año para uso del consumidor del generador portátil y del sistema generador doméstico - Menos de 10 kW fuera de la Unión Europea.

El período de garantía comienza en la fecha de compra del primer consumidor o usuario comercial final y se prolonga durante el tiempo especificado en la siguiente tabla. "Uso del consumidor" significa uso doméstico personal por parte de un consumidor final. "Uso comercial" significa cualquier otro uso, incluidos los usos con fines comerciales, de generación de ingresos o alquiler. Una vez que el equipo se haya usado con fines comerciales, se considerará como equipo de uso comercial a efectos de esta garantía. **Los equipos utilizados para suministrar energía en sustitución de un servicio público no pueden acogerse a esta garantía. Las limpiadoras a presión con alimentación eléctrica para fines comerciales no están cubiertas por la garantía.**

**NO ES NECESARIO REGISTRAR LA GARANTÍA PARA OBTENER SERVICIO DE BRIGGS & STRATTON PRODUCTS. GUARDE SU RECIBO DE COMPRA. SI NO APORTA LA PRUEBA DE LA FECHA DE COMPRA INICIAL, SE UTILIZARÁ LA FECHA DE FABRICACIÓN DEL PRODUCTO PARA DETERMINAR EL PERÍODO DE GARANTÍA.**

### ACERCA DE LA EQUIPO GARANTÍA

Esperamos que disfrute de nuestra garantía y le pedimos disculpas por las molestias causadas. Cualquier distribuidor de servicio autorizado puede llevar a cabo reparaciones en garantía. La mayoría de las reparaciones en garantía se gestionan normalmente, pero algunas veces la solicitud de servicio en garantía puede no ser procedente. Por ejemplo, la garantía no será válida si el equipo presenta daños debidos al mal uso, la falta de mantenimiento, el transporte, la manipulación, el almacenamiento o la instalación inadecuados. De manera similar, la garantía quedará anulada si se ha borrado la fecha de fabricación o el número de serie del equipo, o si el equipo ha sido alterado o modificado. Durante el período de garantía, el distribuidor de servicio autorizado podrá reparar o sustituir, a su libre elección, cualquier pieza que, previa inspección, sea defectuosa en condiciones normales de uso y servicio. Esta garantía no cubre las reparaciones y equipos que se detallan a continuación:

- **Desgaste normal:** Al igual que cualquier otro aparato mecánico, los equipos de uso en exteriores necesitan piezas y mantenimiento periódicos para funcionar correctamente. Esta garantía no cubre las reparaciones cuando el uso normal haya agotado la vida útil de una pieza concreta del equipo.
- **Instalación y mantenimiento:** Esta garantía no cubre los equipos ni las piezas cuya instalación sea incorrecta o no haya sido autorizada, ni aquellos que hayan sido objeto de cualquier tipo de alteración, mal uso, negligencia, accidente, sobrecarga, exceso de velocidad o mantenimiento, reparación o almacenamiento inadecuados que, a nuestro juicio, haya afectado negativamente a su funcionamiento y su fiabilidad. La garantía tampoco cubre el mantenimiento normal, como los ajustes y la limpieza, o la obstrucción del sistema de combustión (debido a materias químicas, suciedad, carbón, cal, etc.).
- **Otras exclusiones:** También quedan excluidos de esta garantía el desgaste de los artículos tales como conectores, medidores de aceite, correas, juntas tóricas, filtros, juntas de bombas, etc., las bombas que se hayan hecho funcionar sin agua y los daños derivados de accidentes, uso indebido, modificaciones, alteraciones, servicio inadecuado, congelación o deterioro químico. Los accesorios tales como pistolas, mangueras, varillas y boquillas quedan excluidos de la garantía del producto. Esta garantía excluye los fallos debidos a hechos fortuitos y a otros acontecimientos de fuerza mayor que escapan al control del fabricante. También se excluyen los equipos usados o reacondicionados y los destinados a demostraciones; los equipos utilizados como fuente principal de energía en lugar de un servicio público y los equipos sanitarios destinados al mantenimiento de las constantes vitales.

BRIGGS & STRATTON POWER PRODUCTS GROUP, LLC  
JEFFERSON, WI, EE.UU



## Free Manuals Download Website

<http://myh66.com>

<http://usermanuals.us>

<http://www.somanuals.com>

<http://www.4manuals.cc>

<http://www.manual-lib.com>

<http://www.404manual.com>

<http://www.luxmanual.com>

<http://aubethermostatmanual.com>

Golf course search by state

<http://golfingnear.com>

Email search by domain

<http://emailbydomain.com>

Auto manuals search

<http://auto.somanuals.com>

TV manuals search

<http://tv.somanuals.com>