



# PR08000 Portable Generator Illustrated Parts List

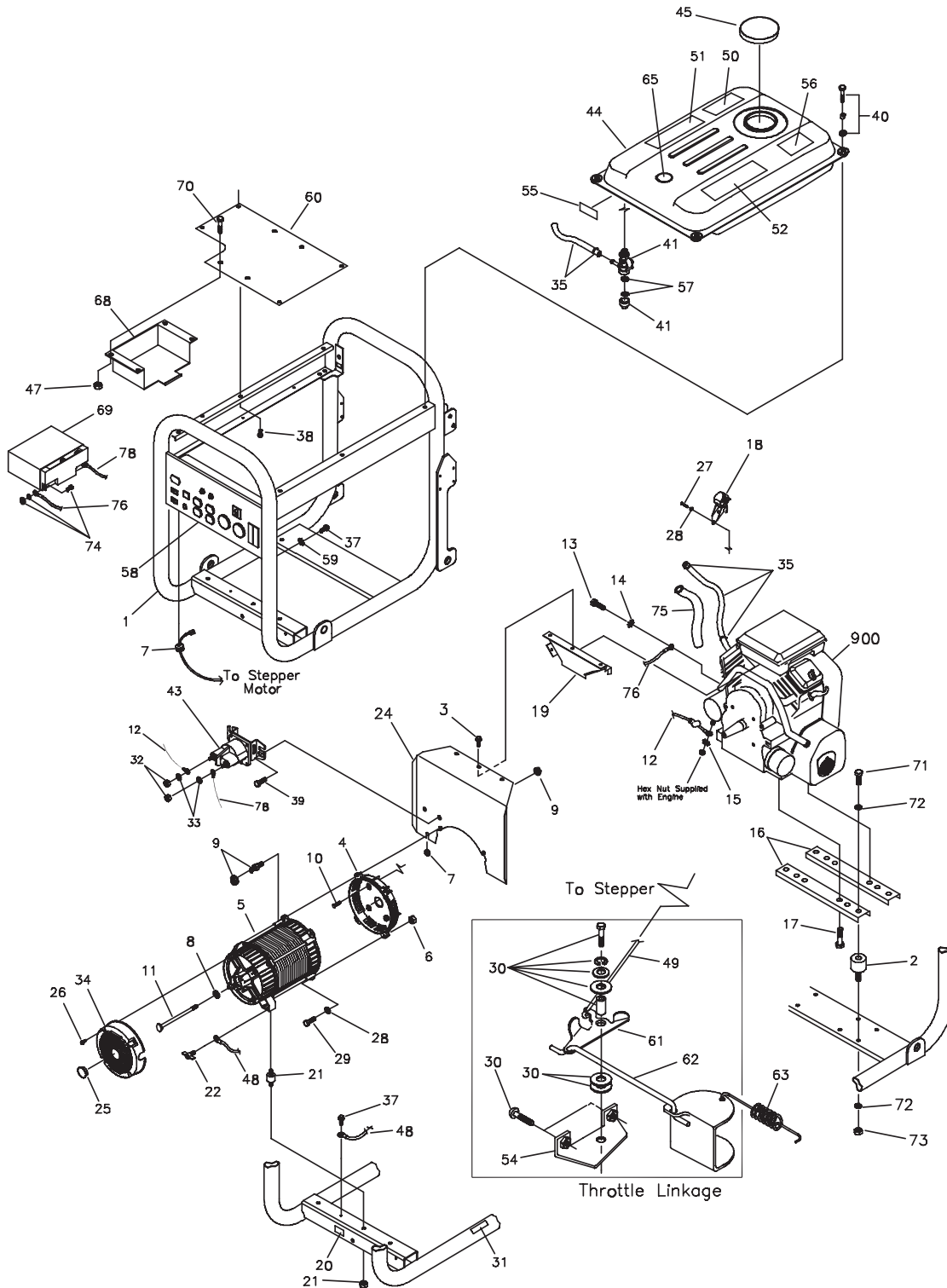


**BRIGGS & STRATTON POWER PRODUCTS GROUP, LLC  
JEFFERSON, WISCONSIN, U.S.A.**

Model 030382 Manual No. 204729A Revision A (01/24/2008)

# Exploded Views and Parts Lists

## EXPLODED VIEW - MAIN UNIT



Copyright © 2008 Briggs & Stratton Power Products Group, LLC. All rights reserved. No part of this material may be reproduced or transmitted in any form by any means without the express written permission of Briggs & Stratton Power Products Group, LLC.

# Exploded Views and Parts Lists

## PARTS LIST - MAIN UNIT

Item	Part #	Description
1	B204637GS	CRADLE (Includes Items 20 & 31)
2	38353GS	MOUNT, Vibration
3	56893GS	CRIMPTITE, 10-24 x 1/2
4	190220GS	ADAPTER, Engine
5	NSP	ASSY., Alternator (see page 5)
6	*	NUT, Hex, M8 - 1.25
7	62265GS	GROMMET
8	96796GS	WASHER, 8.4 x 22.2 x 3
9	194208GS	KIT, Alt to Heat Shield Hardware
10	190274BGS	SBHCS, 3/8-16 x 1"
11	25254GS	HHCS 5/16-24 x 9-7/8
12	189302BGS	WIRE, #16, Red
13	*	HHCS, M8 - 1.25 x 16
14	*	WASHER, Shakeproof, Ext. 5/16
15	*	WASHER, Shakeproof, Ext. M6
16	B77304GS	SUPPORT, Engine
17	75246GS	TAPTITE, 3/8 - 16 x 1-1/4
18	195404GS	ASSY, Stepper Motor
19	J93074GS	SUPPORT, Heatshield
20	B4986GS	DECAL, Ground
21	194155GS	KIT, Vibration Mount
22	86494GS	SCREW, Wing M6 - 1.0 x 16
24	194950GS	ASSY., Heat Shield
25	191190GS	CAP
26	74908GS	TAPTITE, M5 - 0.8 x 10
27	*	HHCS, M8 - 1.25 x 20
28	*	WASHER, 5/16 M8 Lock
29	*	HHCS, M8-1.25 x 25
30	194543GS	KIT, Throttle Linkage Hardware
31	200310GS	DECAL, Exhaust Warning
32	*	NUT, 1/4 - 20
33	*	WASHER, 1/4 Lock
34	195422GS	COVER, RBC Plastic w/Cap
35	791745	KIT, Hose, Fuel
37	B2153GS	SCREW, Self Driller, 12-14 x 7/8
38	192376GS	SCREW, 12 - 24 x 1/2 Thread Forming
39	B4300GS	HHS, Trilobular, 1/4 - 20 x 1/2
40	198221GS	KIT, Fuel Tank Hardware (Includes Qty 4)
41	193272GS	VALVE, Fuel
43	B4769GS	CONTACTOR, Starter
44	196035GS	ASSY., Tank Fuel (Includes Items 41, 50, 51, 52, 55, 56 & 65)
45	189135GS	CAP, Tank Fuel
47	77395GS	LOCKNUT, M6
48	195373GS	WIRE, Ground
49	95920GS	LINKAGE, Stepper Motor to Bell Crank

Item	Part #	Description
50	188333GS	DECAL, Instruction, Fuel
51	194984GS	DECAL, Warning
52	94480GS	DECAL, Operating Instructions
54	95349GS	PLATE, Adjust
55	197797GS	DECAL, Fuel Shutoff
56	202997GS	DECAL, Warning, CO
57	189759GS	KIT, Fuel Valve Repair
58	202526GS	ASSY. Control Panel
59	*	WASHER, Ext #10, Shakeproof
60	J193512GS	SUPPORT, Tray Battery
61	95348GS	BRACKET, Bell Crank
62	95921GS	LINKAGE, Bell Crank to Throttle
63	96717GS	SPRING
65	192724GS	GAUGE, Gas
68	J195680GS	TRAY, Battery
69	193043GS	BATTERY
70	*	HHCS, M6 -1.0 x 12
71	*	HHCS, 3/8 - 16 x 3/4
72	*	WASHER, 3/8, Lock
73	*	NUT, 3/8 - 16
74	193347GS	KIT, Hardware Battery
75	280623	TUBING, Fuel line
76	185939GGS	WIRE, #55 Black
78	189302EGS	WIRE, #13 Red
900	§	ENGINE

### Parts Not Illustrated

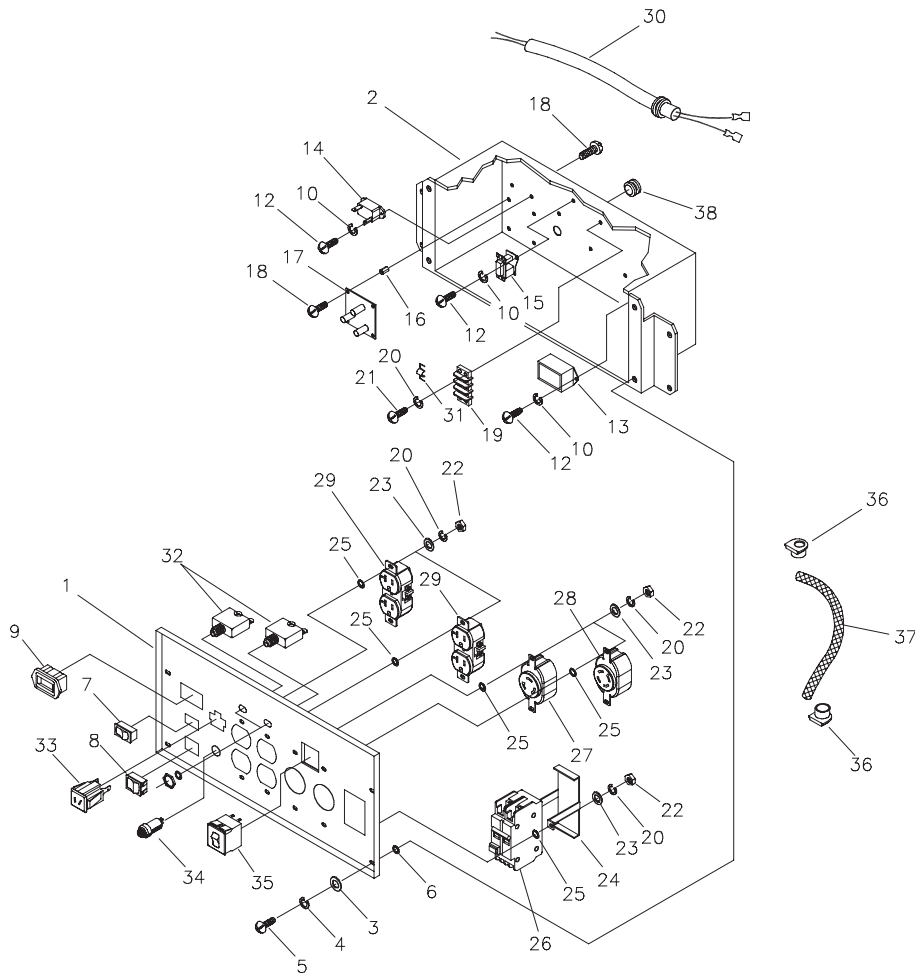
204729GS	MANUAL, Operator's
BB3061GS	BOTTLE, Oil (Qty 1)
BB3061BGS	BOTTLE, Oil (Qty 1)
B4177GS	CHARGER, Battery
202179GS	DECAL, Family, CA EVP
205487GS	KIT, Decal Service
43438GS	PLUG, 120/240V, 30A 4P
100523GS	PLUG, 125V, 30A 3P
65787GS	CABLE, Battery Charge
690661	SCREW, Tapping Hex
392390	ARRESTER, Spark
692099	ASSY., Muffler
691513	BRACKET, Muffler
692056	SCREW
690898	CLAMP, Muffler
692539	SCREW

\* - Items without part numbers are common fasteners and are available at your local hardware store.

§ - Contact Engine Manufacturer

# Exploded Views and Parts Lists

## CONTROL PANEL EXPLODED VIEW & PARTS LIST

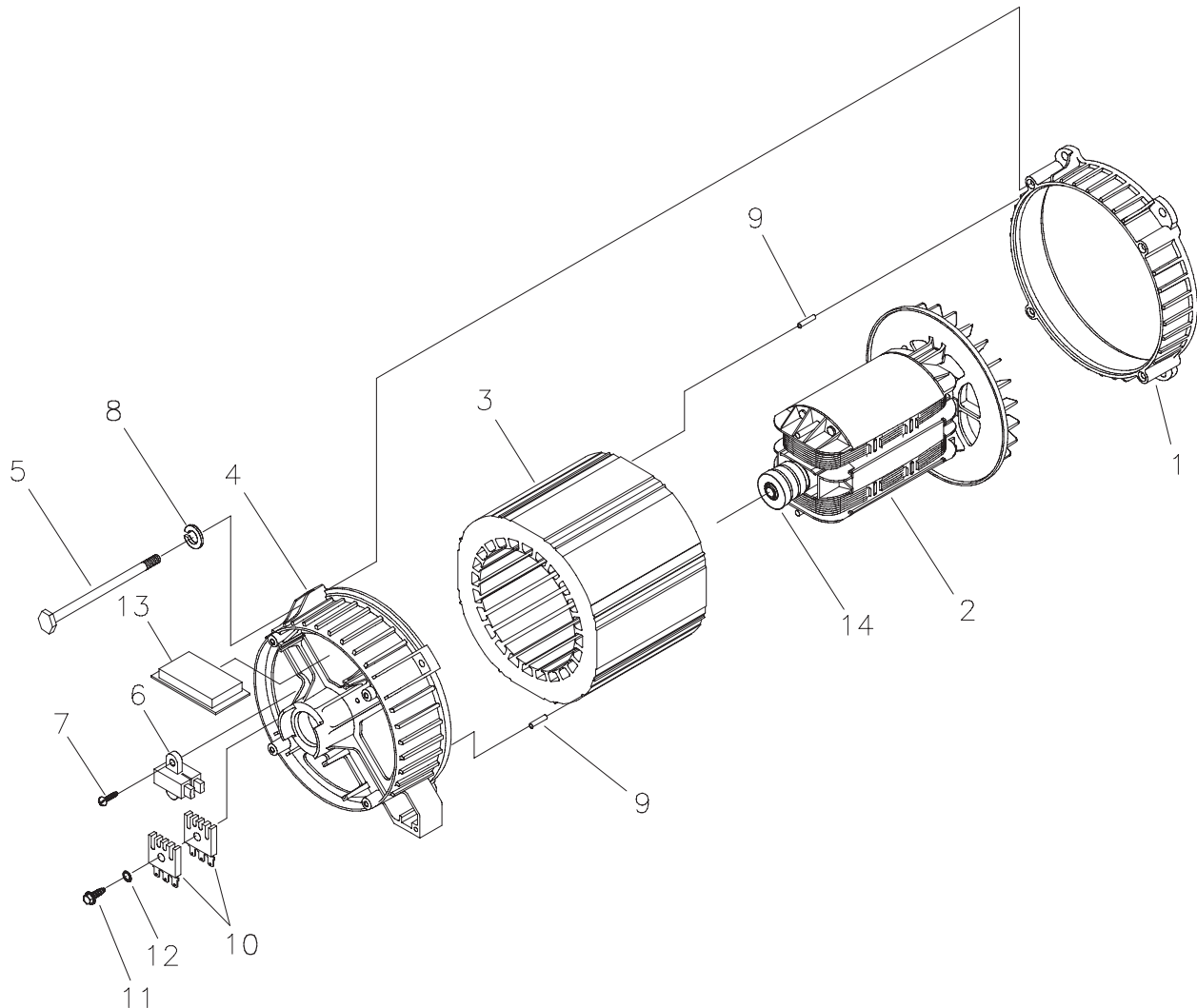


Item	Part #	Description	Item	Part #	Description
1	B195397GS	PANEL, Control	22	*	NUT, M4 - 0.7
2	B192837GS	BOX, Control Panel	23	*	WASHER, Flat, M4
3	*	WASHER, Flat, #10 - M5	24	192931GS	BRACKET, GFCI Breaker
4	*	LOCKWASHER, M5	25	*	WASHER, Shakeproof, Int. #8
5	*	PPHMS, M5 - 0.8 x 12	26	192828EGS	BREAKER, Circuit, GFCI, 40A
6	*	WASHER, M6 - 1/4, Int. Shakeproof	27	68868GS	OUTLET, 120V, 30A
7	82538GS	SWITCH, Rocker	28	43437GS	OUTLET, 120/240V, 30A
8	192855GS	SWITCH, Rocker	29	68759GS	OUTLET, 120V, 20A, Duplex
9	202602GS	HOUR METER	30	194953GS	HARNES, Wire
10	*	LOCKWASHER, M3	31	193597GS	JUMPER, Terminal Block
11	*	NUT, M3 - 0.5	32	202394GS	BREAKER, Circuit, 20A with hardware
12	*	PHMS, M3 - 0.5 x 10	33	90418GS	OUTLET, 12VDC, Snap
13	77314GS	THERMAL, Relay	34	B4694GS	JACK, Coaxial
14	87962GS	BREAKER, Circuit, 10A, 12V	35	202033GS	BREAKER, Circuit, 30A, 2P
15	84028GS	TRANSFORMER, Idle Control	36	188632GS	BOOT, Rubber Wire Outlet
16	64525GS	STANDOFF, Hex, 3/4"	37	77043BGS	CONDUIT, Flex, .50 I.D. x 9.5
17	195406GS	PCB, Idle Control, 10KW	38	62265GS	GROMMET
18	*	PHTS, 6 - 32 x 3/8"			
19	92953GS	TERMINAL, Block			
20	*	LOCKWASHER, M4			
21	*	PPHMS, M4 - 0.7 x 20			

\* - Items without part numbers are common fasteners and are available at your local hardware store.

# Exploded Views and Parts Lists

## ALTERNATOR EXPLODED VIEW & PARTS LIST

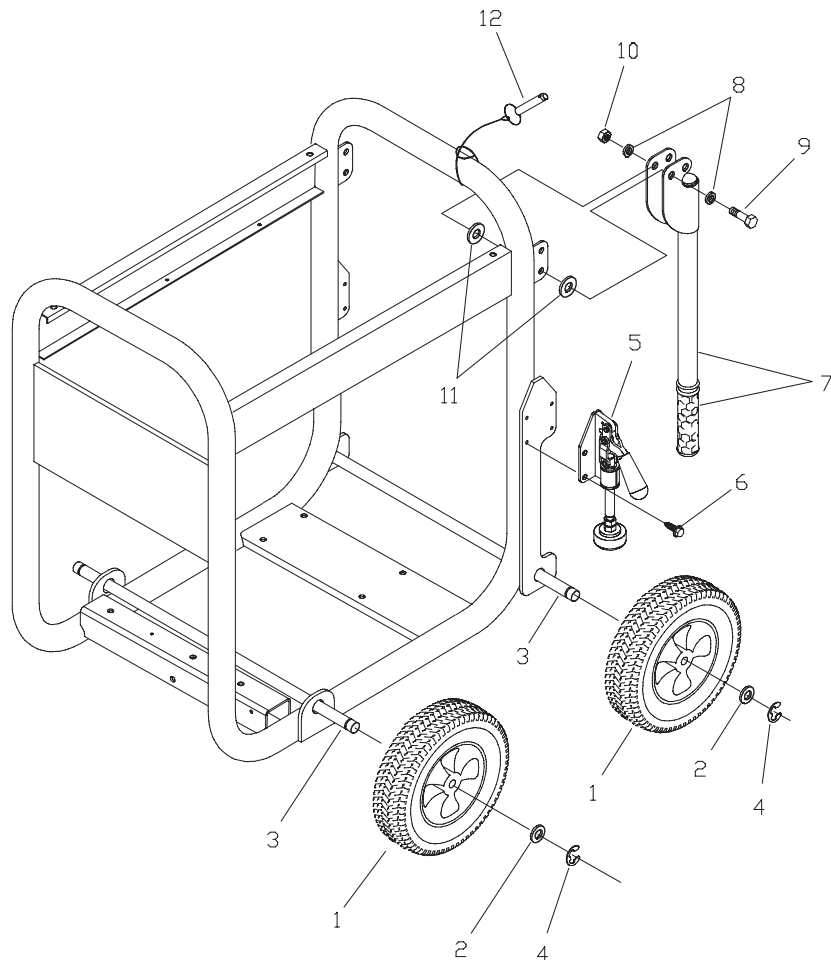


Item	Part #	Description
1	186059GS	ADAPTER, Mounting, Alternator
2	192938GS	ROTOR
3	192937AGS	STATOR
4	186060GS	RBC, with O-Ring (p/n 189197GS)
5	66449LGS	HHCS, M6 - 1.0 x 190 SEMS
6	66386GS	ASSY, Holder, Rectifier/Brush
7	66849GS	TAPTITE, M5 - 0.8 x 16
8	*	LOCKWASHER, 1/4 - M6
9	81917GS	PIN, Roll, 4mm x 10
10	65795GS	RECTIFIER, Battery Charge
11	66849CGS	TAPTITE, M5 - 0.8 x 30
12	*	WASHER, Shakeproof, Ext. #10
13	189769GS	REGULATOR, Voltage-AVR
14	65791GS	BEARING

\* - Items without part numbers are common fasteners and are available at your local hardware store.

# Exploded Views and Parts Lists

## WHEEL KIT EXPLODED VIEW & PARTS LIST



Item	Part #	Description
1	203273GS	WHEEL
2	*	WASHER, 5/8"
3	191267TGS	AXLE
4	191265GS	E-RING
5	205135GS	ASSY, Brake
6	*	SCREW, 1/4-20 x 3/8
7	B193200GS	ASSY, Handle w/Grip
	198669GS	GRIP
8	*	WASHER, Flat, 5/16 - M8
9	*	NUT, M8 - 1.25, Nylok
10	*	HHCS, M8 - 1.25 x 45
11	*	WASHER, 1.2 x 0.346 x 0.03, Nylon
12	B4135GS	PIN, Handle

### Items Not Illustrated

205183GS SUBKIT, Hardware

\* - Items without part numbers are common fasteners and are available at your local hardware store.

## Free Manuals Download Website

<http://myh66.com>

<http://usermanuals.us>

<http://www.somanuals.com>

<http://www.4manuals.cc>

<http://www.manual-lib.com>

<http://www.404manual.com>

<http://www.luxmanual.com>

<http://aubethermostatmanual.com>

Golf course search by state

<http://golfingnear.com>

Email search by domain

<http://emailbydomain.com>

Auto manuals search

<http://auto.somanuals.com>

TV manuals search

<http://tv.somanuals.com>