



Illustrated Parts List



Questions? Help is just a moment away!

Call: **Pressure Washer Helpline**

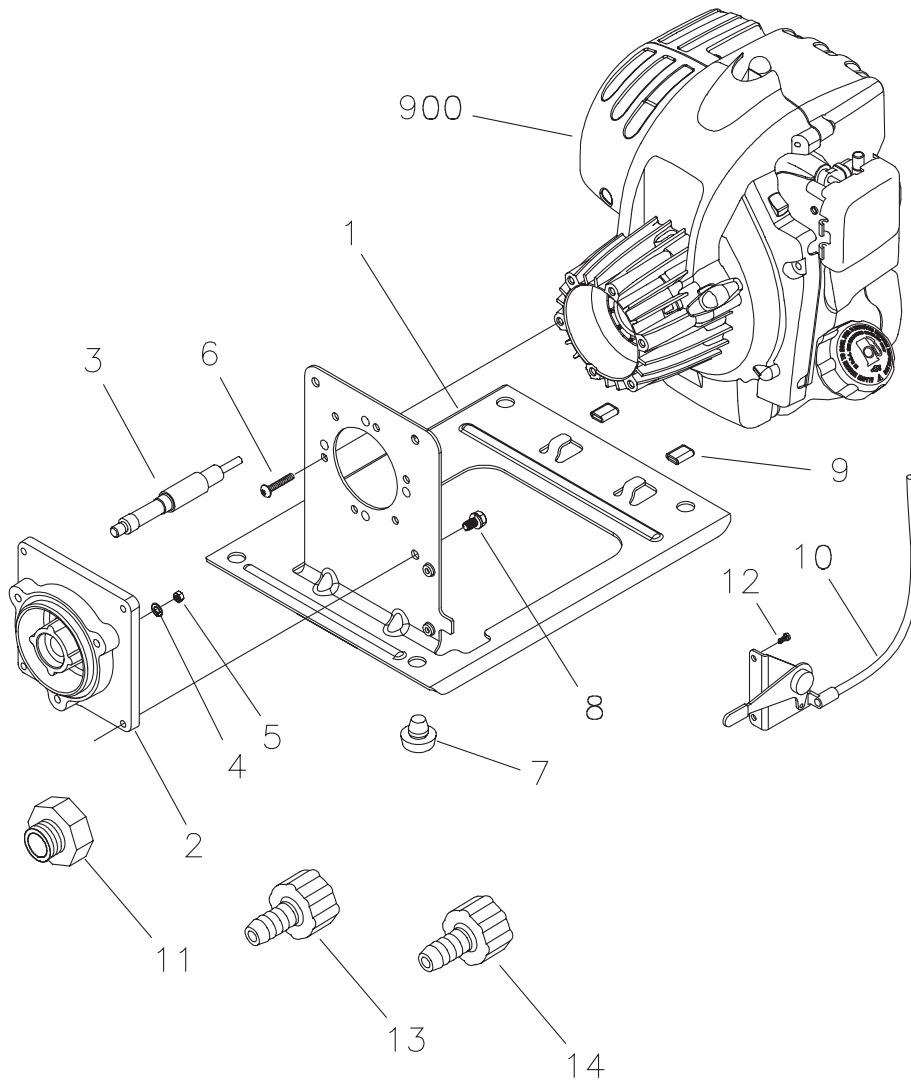
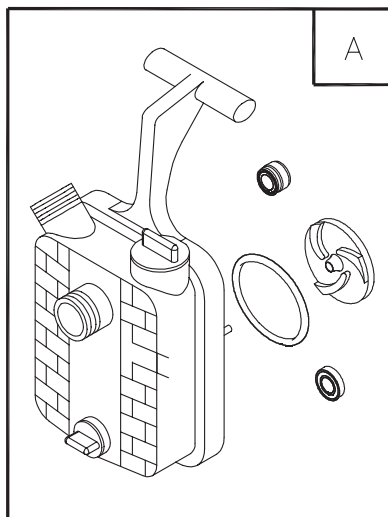
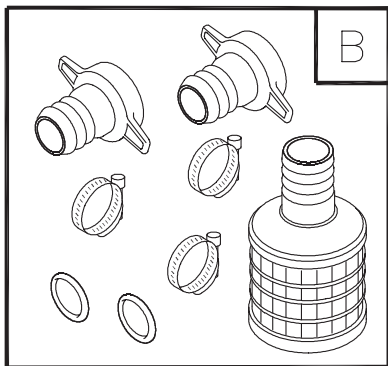
1-800-743-4115 M-F 8-5 CT

BRIGGS & STRATTON POWER PRODUCTS GROUP, LLC
JEFFERSON, WISCONSIN, U.S.A.

Model No. 073005 WP1-1.0 Water Pump Manual No. 202064A Revision - (03/06/2007)



EXPLODED VIEW – MAIN UNIT



Copyright © 2007 Briggs & Stratton Power Products Group, LLC. All rights reserved. No part of this material may be reproduced or transmitted in any form by any means without the express written permission of Briggs & Stratton Power Products Group, LLC.



PARTS LIST – MAIN UNIT

Item	Part #	Description
A	197648GS	KIT, Pump
B	197649GS	KIT, Acc Micro Pump
1	B197461GS	BASE, Pump
2	197169GS	PLATE, Seal, Pump
3	197545GS	SHAFT, Pump
4	51713GS	WASHER, M5
5	197800GS	NUT, Hex M5 - 0.8 w/ Locking Insert
6	197574GS	SCREW, Plastite #10 - 14 x 1.0
7	197546GS	MOUNT, Vibration
8	66476GS	HHCS, M6 - 1.0 x 12 w/ LW
9	197605GS	CAP, Mounting
10	197606GS	THROTTLE, Capro
11	197653GS	ADAPTER
12	194561GS	HHS, Trilobular, #10-32 x 3/8
13	202227GS	FITTING, Hose, 1/2
14	202228GS	FITTING, Hose, 3/4
900	§	ENGINE

Parts Not Illustrated

202064GS	MANUAL, Operator's
MS3287	MANUAL, Engine
198290GS	LABEL, Pump
202010GS	LABEL, Warning
202012GS	DECAL, Caution, Prime Pump
695877	BEARING, Ball
198425GS	HOSE, Intake
100091	MICRO OIL
282751	CUP, Oil Fill
202011GS	LABEL, Start Instructions

NOTE: Item letters A - B are service kits and include all parts shown within the box.

§ - Contact Engine Manufacturer

Free Manuals Download Website

<http://myh66.com>

<http://usermanuals.us>

<http://www.somanuals.com>

<http://www.4manuals.cc>

<http://www.manual-lib.com>

<http://www.404manual.com>

<http://www.luxmanual.com>

<http://aubethermostatmanual.com>

Golf course search by state

<http://golfingnear.com>

Email search by domain

<http://emailbydomain.com>

Auto manuals search

<http://auto.somanuals.com>

TV manuals search

<http://tv.somanuals.com>