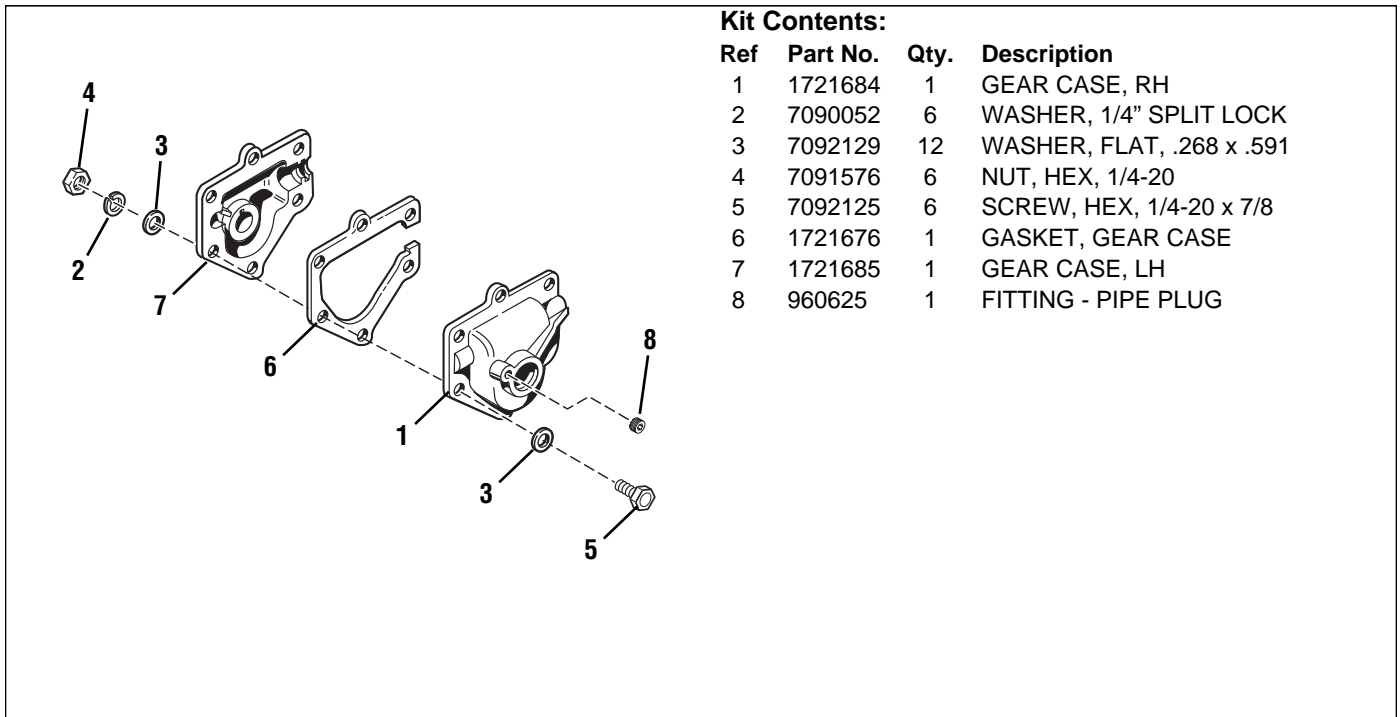


Installation Instructions

Gear Case Kit

Part No. 1687227 & 1687228

For 2004 Simplicity 860EI Intermediate Snowthrowers
1694433, 1694434



Kit Contents:

Ref	Part No.	Qty.	Description
1	1721684	1	GEAR CASE, RH
2	7090052	6	WASHER, 1/4" SPLIT LOCK
3	7092129	12	WASHER, FLAT, .268 x .591
4	7091576	6	NUT, HEX, 1/4-20
5	7092125	6	SCREW, HEX, 1/4-20 x 7/8
6	1721676	1	GASKET, GEAR CASE
7	1721685	1	GEAR CASE, LH
8	960625	1	FITTING - PIPE PLUG

Figure 1. Contents

This kit is to service intermediate snowthrowers.

INSTALLATION

Disassemble Housing

⚠ WARNING

Before beginning any service work turn off the ignition, and disconnect the spark plug wire(s).

1. Remove the washers and retaining rings (D, Figure 2) from both ends of the auger shaft. Remove the bearings (C).
2. Remove the hardware securing both side covers (A), and remove the side covers.

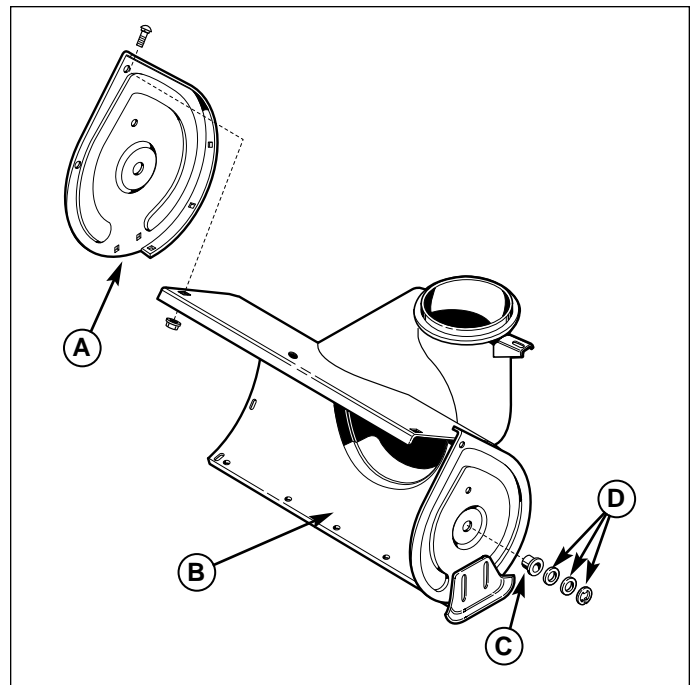


Figure 2. Disassemble Housing

- A. Side Cover
- B. Housing
- C. Bearing
- D. Washers & Retaining Ring

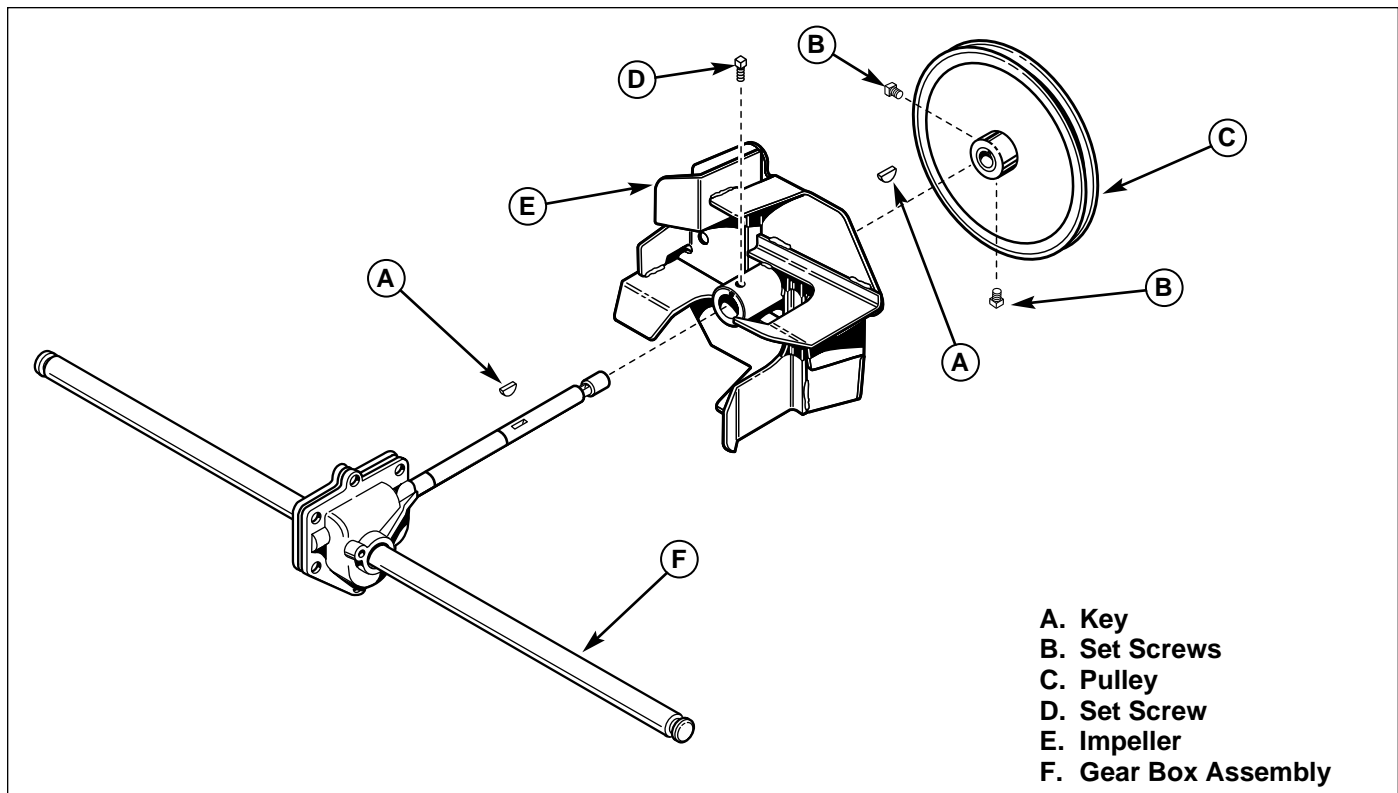


Figure 3. Auger Assembly

Remove Auger Assembly

1. Remove the impeller set screw (D, Figure 3) and drive pulley set screws (B).
2. Spray the impeller and pulley hubs with penetrating oil to help with disassembly.
3. Remove the pulley (C).
4. Remove the key (A).

NOTE: Do not pry on the pulley. If necessary, separate the front housing from the rear drive section of the snowthrower and drive the rear auger shaft out of the pulley (C) with a punch.

5. Remove the impeller (E) from the rear auger shaft.

Assemble New Gear Box & Impeller Assembly

1. Reassemble the auger gearbox assembly, impeller (E, Figure 3), key (A), and pulley (C). Torque the three set screws (B, D) to 9-11 ft. lbs.

Assemble Housing

1. Install the side covers (A, Figure 4) and secure with the original hardware.
2. Reinstall the bearings (C), washers, and retaining rings (D) in both side covers.

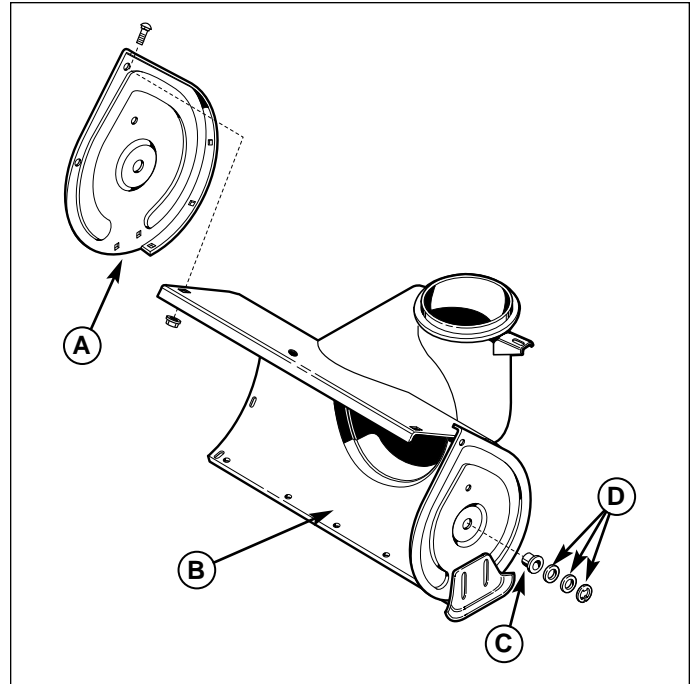


Figure 4. Assemble Housing
A. Side Cover
B. Housing
C. Bearing
D. Washers & Retaining Ring

Fill Auger Gear Case Oil

1. Remove the fill plug (Figure 5). Fill the gear box with The Dealer Line Winter Weight Worm Gear Oil until the oil level reaches the bottom of the fill hole.

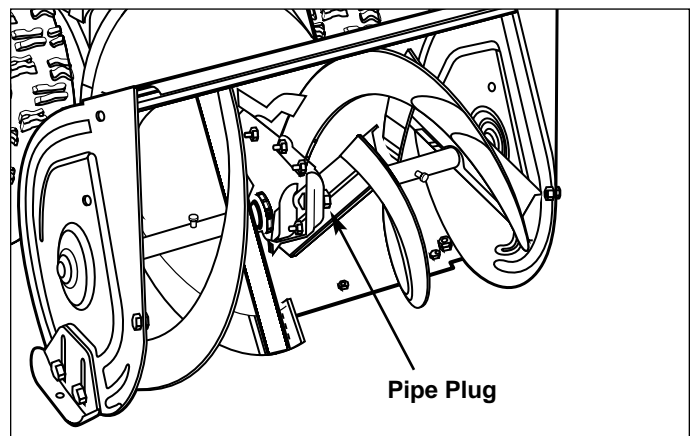


Figure 5. Checking Auger Gear Case Lubrication

Free Manuals Download Website

<http://myh66.com>

<http://usermanuals.us>

<http://www.somanuals.com>

<http://www.4manuals.cc>

<http://www.manual-lib.com>

<http://www.404manual.com>

<http://www.luxmanual.com>

<http://aubethermostatmanual.com>

Golf course search by state

<http://golfingnear.com>

Email search by domain

<http://emailbydomain.com>

Auto manuals search

<http://auto.somanuals.com>

TV manuals search

<http://tv.somanuals.com>