

# Safety, Operation, & Maintenance Manual



## Manual d'opération, sécurité et d'entretien

### Two-Stage Snowthrower Souffleuse neige deux tages



Part No.: 1752193  
Revision: B

# Products Covered by This Manual

The following products are covered by this manual:

1695979, 1695984, 1695985, 1695986, 1695987, 1695988, 1696000, 1696001, 1696002, 1696003, 1696004, 1696005, 1696006, 1696007, 1696024, 1696025, 1696026, 1696028, 1696029, 1696030, 1696080, 1696081, 1696082, 1696083, 1696123, 1696125

## Manual Contents:


Operator Safety.....	2
Safety System Tests.....	7
Features and Controls.....	8
Operation.....	9
Maintenance.....	14
Troubleshooting.....	18

© 2011 Briggs & Stratton Corporation, Milwaukee, WI, USA. All rights reserved.

The images in this document are representative, and are meant to compliment the instructional copy they accompany. Your unit may vary from the images displayed. *LEFT* and *RIGHT* are as seen from the operator's position.

## Operator Safety

### Discharge Chute Warning



**DANGER**

**Amputation hazard**

The discharge chute contains a rotating impeller to throw snow. Fingers can quickly become caught in the impeller. Never clear or unclog the discharge chute with your hands. Always use a clean-out tool.


Failure to observe these safety instructions will result in traumatic amputation or severe laceration.


Hand contact with the rotating impeller inside the discharge chute is the most common cause of injury associated with snowthrowers. Never use your hands to clean out the discharge chute.


**To safely clear a clogged discharge chute, follow these instructions:**


1. Shut OFF the engine.
2. Wait 10 seconds to be sure the impeller blades have stopped rotating.
3. Always use a clean-out tool, not your hands.

## Safety Alert Symbol and Signal Words

The safety alert symbol  indicates a potential personal injury hazard. A signal word (DANGER, WARNING, or CAUTION) is used with the alert symbol to designate a degree or level of hazard seriousness. A safety symbol may be used to represent the type of hazard. The signal word NOTICE is used to address practices not related to personal injury.















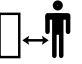
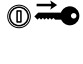


 **DANGER** indicates a hazard which, if not avoided, *will* result in death or serious injury.

 **WARNING** indicates a hazard which, if not avoided, *could* result in death or serious injury.



 **CAUTION** indicates a hazard which, if not avoided, *could* result in minor or moderate injury.

**NOTICE** addresses practices not related to personal injury.

## 2-Stage Snowthrower Hazard Symbols

Symbol	Meaning	Symbol	Meaning
	Safety information about hazards that can result in personal injury.		Read and understand the operator's manual before operating or servicing the unit.
	Amputation hazard - rotating impeller.		Read the operator's manual before performing service.
	Amputation hazard - rotating impeller.		Amputation hazard - rotating auger
	Amputation hazard - do not touch moving parts.		Thrown objects hazard.
	Fire hazard.		Explosion hazard.
	Shock hazard.		Toxic fume hazard.
	Hot surface hazard.		Ear protection recommended for extended use.
	Keep a safe distance.		Remove the key before performing service.
	Keep children away.		Kickback hazard.

## Regional Warnings

 **WARNING** 

**U.S.A. Models: Certain components in this product and its related accessories contain chemicals known to the state of California to cause cancer, birth defects, or other reproductive harm. Wash hands after handling.**

**WARNING**

**U.S.A. Models: The engine exhaust from this product contains chemicals known to the State of California to cause cancer, birth defects, or other reproductive harm.**

## General Safety Warnings

### Read the Manual

**DANGER**

**This snowthrower is capable of amputating hands and feet and throwing objects. Read and observe all the safety instructions in this manual. Failure to do so will result in death or serious injury.**

**WARNING**

**Read the operator's manuals before operating the machine. This machine can be dangerous if used carelessly.**

- Never operate the snowthrower without all guards, covers, shields, and other safety protection devices in place and working.
- Stop the engine whenever leaving the operating position.
- Stop the engine and remove the key before unclogging the impeller housing or discharge chute, and before making repairs or adjustments.
- When leaving the machine, remove the key.
- To reduce the risk of fire, keep the machine clean and free from spilled fuel, oil, and debris.

**WARNING**

**Read, understand, and follow all the instructions on the snowthrower and in the operator's manual before operating this unit. Failure to observe the safety instructions in this manual could result in death or serious injury.**

- Be thoroughly familiar with the controls and the proper use of the snowthrower.
- Make sure you are properly trained before operating the snowthrower.
- Know how to stop the unit and disengage the controls quickly.
- Never allow anyone to operate the snowthrower without proper instruction.
- Always follow the instructions in the operator's manual, if the snowthrower will be stored for an extended period. Maintain or replace safety and instruction labels as necessary.

- Never attempt to make major repairs on the snowthrower unless you have been properly trained. Improper servicing of the snowthrower can result in hazardous operation, equipment damage, and voiding of the product warranty.

## Operation and Equipment Safety

**WARNING**

**This snowthrower is only as safe as the operator. If it is misused, or not properly maintained, it can be dangerous. Remember: you are responsible for your safety and that of those around you.**

- Keep the area of operation clear of all persons, particularly small children and pets.
- Thoroughly inspect the area where the snowthrower will be used and remove all doormats, sleds, boards, wires, and other foreign objects.
- Do not operate the snowthrower without wearing adequate winter clothing.
- Wear footwear that will improve footing on slippery surfaces. Use caution to avoid slipping or falling especially when operating the snowthrower in reverse.
- Never operate the snowthrower without good visibility or light.
- Disengage the auger while transporting.
- Always be sure of your footing, and keep a firm hold on the handles. Walk, never run.
- Do not clear snow across the face of slopes. Use extreme caution when changing direction on slopes. Do not attempt to clear steep slopes.
- Do not overload the machine capacity by attempting to clear snow too quickly.
- Never operate the snowthrower at high transport speeds on slippery surfaces. Look behind the snowthrower and use care when operating in reverse.
- Do not use the snowthrower on surfaces above ground level such as roofs of residences, garages, porches, or other such structures or buildings.
- Operators should evaluate their ability to operate the snowthrower safely enough to protect themselves and others from injury.
- The snowthrower is intended to remove snow only. Do not use the snowthrower for any other purpose.
- Do not carry passengers.
- After striking a foreign object, shut OFF the engine, disconnect the cord on electric motors, thoroughly inspect the snowthrower for any damage, and repair the damage before restarting and operating the snowthrower.
- If the snowthrower vibrates abnormally, shut OFF the engine. Vibration is generally a warning of trouble. See an authorized dealer if necessary for repairs.

- For models equipped with electric starting motors, disconnect the power cord after the engine starts.
- Exercise extreme caution when operating on or crossing gravel drives, walks, or roads. Stay alert for hidden hazards or traffic.
- Run the machine a few minutes after throwing snow to prevent freeze-up of the collector/impeller.
- If fuel is spilled, do not attempt to start the engine, but move the snowthrower away from the area of the spill, and avoid creating any source of ignition, until the fuel vapors have dissipated.
- Do not over-prime the engine. Follow the engine starting instructions in this manual.
- If the engine floods, set choke (if equipped) to OPEN/RUN position, move throttle (if equipped) to FAST position and crank until engine starts.

## Fuel Handling



**Fuel and its vapors are extremely flammable and explosive. Always handle fuel with extreme care.**

**Failure to observe these safety instructions can cause a fire or explosion which could result in severe burns or death.**

### When adding fuel:

- Never add fuel to a running engine or to a hot engine.
- Turn off engine and let cool at least 2 minutes before removing the fuel cap and adding fuel.
- Fill fuel tank outdoors or in a well ventilated area.
- Never fill containers inside a vehicle or on a truck or trailer bed with a plastic liner. Always place containers on the ground, away from your vehicle, before filling.
- When practical, remove gas-powered equipment from the truck or trailer and refuel it on the ground. If this is not possible, then refuel such equipment on a trailer with a portable container, rather than from a gasoline dispenser nozzle.
- Keep the nozzle in contact with the rim of the fuel tank or container opening at all times, until refueling is complete. Do not use a nozzle lock-open device.
- Replace gasoline cap securely and allow spilled fuel evaporate before starting the engine.
- Do not overfill the fuel tank. To allow for the expansion of gasoline, do not fill above the bottom of the fuel tank neck.
- Keep fuel away from sparks, open flames, pilot lights, heat, and other ignition sources.
- Check fuel lines, cap, and fittings frequently for cracks or leaks. Replace if necessary.
- Use an approved fuel container.
- If fuel spills, wait until it evaporates before starting engine.
- If fuel is spilled on clothing, change clothing immediately.

### When starting the engine:

- Ensure that spark plug, muffler, fuel cap, and air cleaner (if equipped) are in place and secured.
- Do not crank the engine with the spark plug removed.

### When operating the equipment:

- Do not tip the snowthrower at an angle which causes the fuel to spill.
- Do not choke the carburetor to stop the engine.
- Never run the engine with the air cleaner assembly (if equipped) or the air filter (if equipped) removed.
- If you drain the oil from the top oil fill tube, the fuel tank must be empty or fuel can leak out and result in a fire or explosion.

### When transporting equipment:

- Transport with fuel tank EMPTY, or with fuel shut-off valve OFF.

### When storing gasoline or equipment with fuel in the tank:

- Gasoline is highly flammable and its vapors are explosive. Fumes may travel to a distant ignition source and an explosion and/or fire may result.
- Handle gasoline carefully. Never store a unit, with fuel in the tank, indoors in a poorly ventilated enclosure where fuel fumes could reach an open flame, spark, or pilot light, such as a furnace, water heater, or clothes dryer.
- Store away from furnaces, stoves, water heaters, or other appliances that have pilot light or other ignition source because they can ignite fuel vapors.

## Moving Parts



**Keep hands, feet, and clothing away from rotating parts. Rotating parts can contact or entangle hands, feet, hair, clothing, or accessories.**

**Failure to observe these safety instructions will result in traumatic amputation or severe laceration.**

- Whenever cleaning, repairing, or inspecting the snowthrower, make sure the engine is OFF, the engine key is removed, and all moving parts have stopped.
- Do not put hands or feet near or under rotating parts. Keep clear of the discharge opening at all times.
- Never operate the snowthrower without proper guards, and other safety devices in place and working.
- Never leave the snowthrower unattended while engine is running. Always disengage the auger and traction controls, stop engine, and remove keys.

- Keep all loose clothing away from the front of the snowthrower and auger. Scarves, mittens, dangling drawstrings, loose clothes, and pants can quickly become caught in the rotating device and amputation will occur. Tie up long hair and remove jewelry.
- Run the machine a few minutes after discharging snow to prevent freeze-up of the collector/impeller.
- Disengage power to the collector/impeller when snowthrower is transported or not in use.

## Thrown Objects



**Objects can be picked up by the auger and thrown from the chute. Never discharge snow toward bystanders or allow anyone in front of the snowthrower. Failure to observe these safety instructions could result in death or serious injury.**

- Always wear safety glasses or eye shields during operation, and while performing an adjustment or repair to protect eyes from foreign objects that may be thrown from the machine.
- Always be aware of the direction the snow is being thrown. Nearby pedestrians, pets, or property may be harmed by objects being thrown.
- Be aware of your environment while operating the snowthrower. Running over items such as, gravel, doormats, newspapers, toys, and rocks hidden under snow, can all be thrown from the chute or jam in the auger.
- Use extreme caution when operating on or crossing gravel drives, walks, or roads.
- Adjust the collector housing height to clear gravel or crushed rock surface.
- Never operate the snowthrower near glass enclosures, automobiles, window wells, drop-offs, and the like without proper adjustment of the discharge chute angle.
- Familiarize yourself with the area in which you plan to operate the snowthrower. Mark off boundaries of walkways and driveways.

## Children



**Tragic accidents can occur if the operator is not alert to the presence of children. Children are often attracted to the unit and the operating activity. Never assume that children will remain where you last saw them.**

- Keep children out of the area during operation. Children are often attracted to the equipment. Be mindful of all persons present.
- Be alert and turn the unit off if children enter the area.
- Never allow children to operate the unit.

- Use extra care when approaching blind corners, shrubs, trees, or other objects that may obscure vision. Children may be present.

## Engine Safety



**Safe operation of the snowthrower requires the proper care and maintenance of the engine. Failure to observe the safety instructions in this manual could result in death or serious injury.**

- Disengage all clutches and shift into neutral before starting the engine.
- Let the engine adjust to outdoor temperature before starting to clear snow.
- Use extension cords and receptacles as specified by the manufacturer for all units with electric drive motors or electric starting motors.
- Use a grounded three-wire plug-in for all snowthrowers equipped with electric drive motors or electric starting motors.



**Kickback hazard**  
**Rapid retraction of the starter cord (kickback) will pull your hand and arm toward the engine faster than you can let go. Broken bones, fractures, bruises, or sprains could result.**

**When starting engine, pull the starter cord slowly until resistance is felt and then pull rapidly to avoid kickback.**

## Carbon Monoxide



**Engines give off carbon monoxide, an odorless, colorless, poison gas.**

**Breathing carbon monoxide can cause nausea, fainting, or death.**

- Start and run the engine outdoors.
- Do not run the engine in an enclosed area, even if doors and windows are open.

## Ignition Source



**Starting the engine creates sparking.**

**Sparking can ignite nearby flammable gasses.**

**Explosion and fire could result.**

- If there is natural gas or LP gas leakage in the area, do not start the engine.

- Do not use pressurize starting fluids because their vapors are flammable.

## Hot Surfaces



**WARNING**

**Running the engine produces heat. Engine parts, especially the muffler, become extremely hot.**

**Failure to observe these safety instructions could result in severe thermal burns on contact.**

- Never touch a hot engine or muffler. Allow muffler, engine cylinder, and fins to cool before touching.
- Remove debris from muffler area and cylinder area.
- Install and maintain in working order a spark arrester before using equipment on forest-covered, grass-covered, or brush-covered unimproved land.
- U.S.A. Models:** It is a violation of California Public Resource Code Section 4442 to use or operate the engine on or near any forest-covered, brush-covered, or grass-covered land unless the exhaust system is equipped with a spark arrester meeting any applicable local or state laws. Other states or federal areas may have similar laws.

## Maintenance and Storage



**WARNING**

**This snowthrower must be properly maintained to ensure safe operation and performance. Failure to observe the safety instructions in this manual could result in death or serious injury.**

- When performing any maintenance or repairs on the snowthrower, shut OFF the engine, wait for all moving parts to stop, and remove the engine key to prevent someone from accidentally starting the engine.
- Check shear bolts and other hardware at frequent intervals for proper tightness to be sure the snowthrower is in safe working condition.
- Keep nuts and bolts tight and keep snowthrower in good condition.
- Never tamper with safety devices. Check their proper operation regularly and make necessary repairs if they are not functioning properly.
- Components are subject to wear, damage, and deterioration. Frequently check components and replace with recommended parts, when necessary.
- Check control operation frequently. Adjust and service as required.
- Use only factory authorized replacement parts, or equivalent, when making repairs.
- Always comply with factory specifications on all settings and adjustments.

- Only authorized service locations should be utilized for major service and repair requirements.
- Use only attachments and accessories approved by the factory, or equivalent, (such as wheel weights, counterweights, or cabs).
- Never attempt to make any adjustments while the engine is running (except when specifically recommended by the factory).
- Always refer to the operator's manual for important details if the snowthrower is to be stored for an extended period of time.

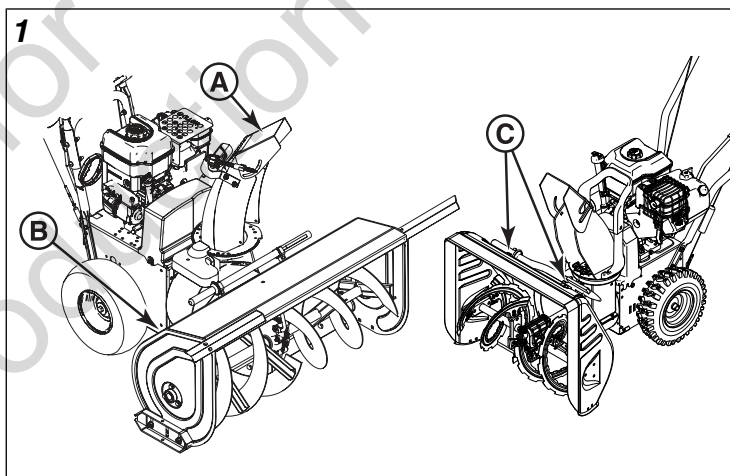
## Safety Decals

Before operating your unit, read the safety decals. The cautions and warnings are for your safety. To avoid a personal injury or damage to the unit, understand and follow all the safety decals.



**WARNING**

**If any safety decals become worn or damaged, and cannot be read, order replacement decals from your local dealer.**



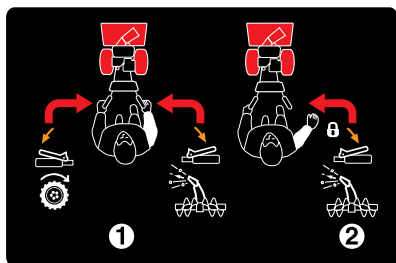
A	Chute Danger Decal	
B	Auger Danger Decal (large-frame models)	
C	Auger Danger Decal (small-frame models)	

# Safety System Tests

## Determining Which Test to Use

**Models with Free Hand™ Control:** After engaging the traction control (left hand) and auger control (right hand), Free Hand allows the operator to release the auger control, and for the auger control to remain engaged until the traction control is released. Free Hand models have the icon set shown in Figure 2 on the dashboard.

2



**Models without Free Hand Control:** On units without Free Hand, the auger and traction controls operate independently, and the Free Hand icon set is not found on the dashboard.

Please select the appropriate Safety System Test for your unit.

## Safety System Test (units without Free Hand control)



**WARNING**

### Amputation hazard

This snowthrower is equipped with several mechanical safety systems designed to keep the operator safe while using the unit. Check the operation of these systems regularly using the safety system tests listed. If the unit fails to operate as described, DO NOT operate it. See your authorized dealer for service immediately.

#### Test 1 - Auger/Impeller Control

With the engine running:

- Press down on the auger control lever. (The auger/impeller should rotate)
- Release the auger control lever. (The auger/impeller should stop within 5 seconds)

#### Test 2 - Traction Drive Control

With the engine running and speed control in 1st gear:

- Press down on the traction control lever. (The unit should move forward)
- Release the traction control lever. (The unit should stop)

## Safety System Test (units with Free Hand control)



**WARNING**

### Amputation hazard

This snowthrower is equipped with several mechanical safety systems designed to keep the operator safe while using the unit. Check the operation of these systems regularly using the safety system tests listed. If the unit fails to operate as described, DO NOT operate it. See your authorized dealer for service immediately.

#### Test 1 - Auger/Impeller Control

With the engine running:

- Press down on the auger control lever. (The auger/impeller should rotate)
- Release the auger control lever. (The auger/impeller should stop within 5 seconds)

#### Test 2 - Traction Drive Control

With the engine running and speed control in 1st gear:

- Press down on the traction control lever. (The unit should move forward)
- Release the traction control lever. (The unit should stop)

#### Test 3 - Free Hand Control

With the engine running:

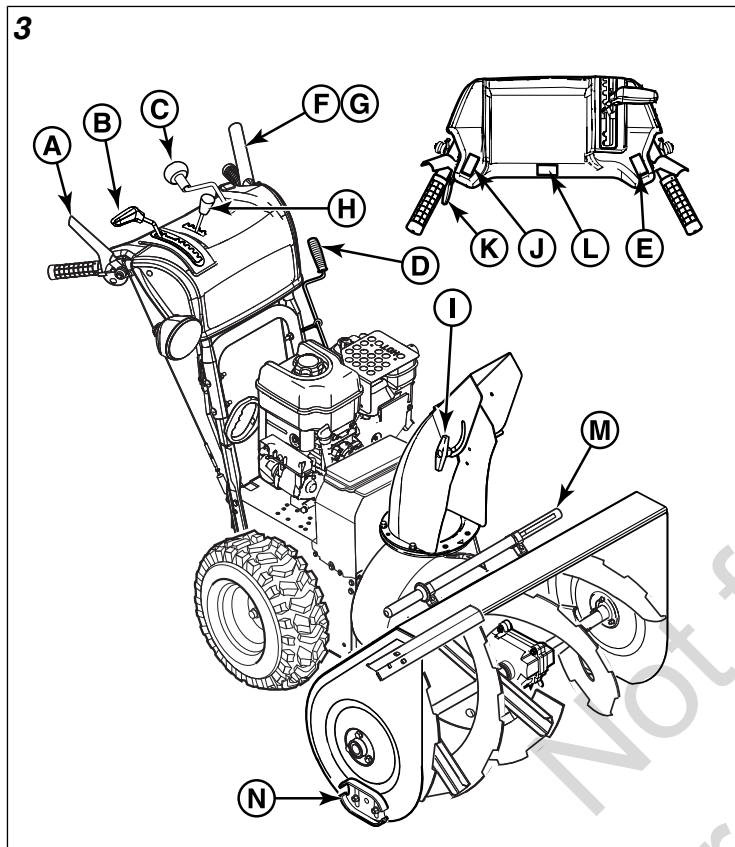
- Engage the auger and traction control levers, then release the auger control lever. (Both controls should remain engaged)
- Next, release the traction control lever. (Both controls should release)

# Features and Controls

## Engine Features and Controls

For engine features and controls, please refer to the engine operator's manual.

## Snowthrower Features and Controls



Location	Icon	Description
F		<b>Free Hand™ Control (if equipped)</b> - After engaging the traction control (left hand) and auger control (right hand), allows the operator to release the auger control lever to use other controls.
G		<b>Traction Control Lever</b> - Used to propel snowthrower forward or reverse. Push down to engage, release to disengage. See also, "Free-Hand Control".
H		<b>Deflector Control - In-Dash (if equipped)</b> - Used to control the angle of the deflector (up or down).
I		<b>Deflector Control - Manual (if equipped)</b> - Used to control the angle of the deflector (up or down).
J		<b>Deflector Control - Electric (if equipped)</b> - Used to control the angle of the deflector (up or down).
K		<b>Easy Turn™ Traction Control (if equipped)</b> - When engaged, allows the operator to release one drive wheel, but allows the other wheel to continue driving for easy turning.
L		<b>Grip Warmer Switch (if equipped)</b> - Used to warm the hand grips (high, off, low).
M	-	<b>Clean-Out Tool</b> - Used to remove snow and debris from the discharge chute and the auger housing.
N	-	<b>Skid Shoes</b> - Used to adjust the ground clearance of the auger housing.

Location	Icon	Description
A		<b>Auger Control Lever</b> - Used to engage and disengage the auger and impeller. To engage, push down. To disengage, release.
B		<b>Speed Select Lever</b> - Allows the operator to select forward and reverse speeds. To shift, move speed select lever to desired position. <b>NOTE: Do not move speed select lever while Traction Control is engaged. This may result in severe damage to the drive system.</b>
C		<b>Chute Rotation Crank - In-Dash (if equipped)</b> - Used to rotate the discharge chute to the left or right.
D		<b>Chute Rotation Crank - Lefthand Crank (if equipped)</b> - Used to rotate the discharge chute to the left or right.
E		<b>Chute Rotation Switch - Electric (if equipped)</b> - Used to rotate the discharge chute to the left or right.



# Operation

## Before Operating the Snowthrower



**WARNING**  
Read the operator's manual before operating the machine. This machine can be dangerous if used carelessly.

- Never operate the snowthrower without all guards, covers, and shields in place.
- Stop the engine whenever leaving the operating position.
- Remove the key before unclogging the impeller housing or discharge chute, and before making repairs or adjustments.
- When leaving the machine, remove the key.
- To reduce the risk of fire, keep the machine clean and free from spilled fuel, oil, and debris.

- On electric start models, disconnect the extension cord before operating.
- Be sure to check the engine oil level before starting the engine. See the engine operator's manual for oil recommendations.

## Operating the Snowthrower



**DANGER**  
Amputation hazard

The discharge chute contains a rotating impeller to throw snow. Fingers can quickly become caught in the impeller. Never clear or unclog the discharge chute with your hands. Always use a clean-out tool.

Failure to observe these safety instructions will result in traumatic amputation or severe laceration.

Hand contact with the rotating impeller inside the discharge chute is the most common cause of injury associated with snowthrowers. Never use your hands to clean out the discharge chute.

To safely clear a clogged discharge chute, follow these instructions:

1. Shut OFF the engine.
2. Wait 10 seconds to be sure the impeller blades have stopped rotating.
3. Always use a clean-out tool, not your hands.



**DANGER**  
Toxic fume hazard

Engines give off carbon monoxide, an odorless, colorless, poison gas.

Breathing carbon monoxide can cause nausea, fainting, or death.

- Start and run the engine outdoors.
- Do not start or run the engine in an enclosed area, even if doors and windows are open.



**WARNING**  
Thrown objects hazard

This machine is capable of throwing objects that could injure bystanders, or cause damage to buildings.

Be sure the operating area is clear of bystanders. Never direct the discharge toward anyone, or toward buildings or cars.

1. Start the engine. Please refer to the engine operator's manual for engine information.
2. Rotate the chute rotation crank (C or D, Figure 3) or use the chute rotation switch (E) to set the direction of the discharge chute.
3. **Models with manual deflector adjustment:** Loosen the wingnut securing the chute deflector (I). Raise the deflector to throw snow further. Set the deflector to the desired position and tighten the wingnut.  
**Models with in-dash deflector control lever:** Use the deflector control lever (H) to move the deflector up or down. Raise the deflector to throw snow further.  
**Models with electric deflector control:** Use the deflector control switch (J) to move the deflector up or down. Raise the deflector to throw snow further.
4. Use the speed select lever (B) to select the forward or reverse drive speed. Use lower speeds when clearing wet, heavy snow. Use higher speeds for light snow or transporting.

*NOTE: Always set engine speed to FAST (full throttle).*

5. Fully press the auger control lever (A) to engage the auger. Release the lever to stop the auger.
6. Fully press and hold the traction control lever / Free Hand control (F/G) to engage the traction drive and begin moving the snowthrower. To stop, release the lever.

*NOTE: Always release the traction control lever before changing speeds.*

7. On models equipped with Free Hand controls, when both the auger (A) and traction control levers (F) are pressed, the Free Hand control is activated. This allows you to release the auger control lever (A) to use other controls. The auger

will continue to rotate until the traction control lever/Free Hand control lever is released.

8. If desired, if equipped, use the grip warmer switch (L) to turn on the heated hand grips.

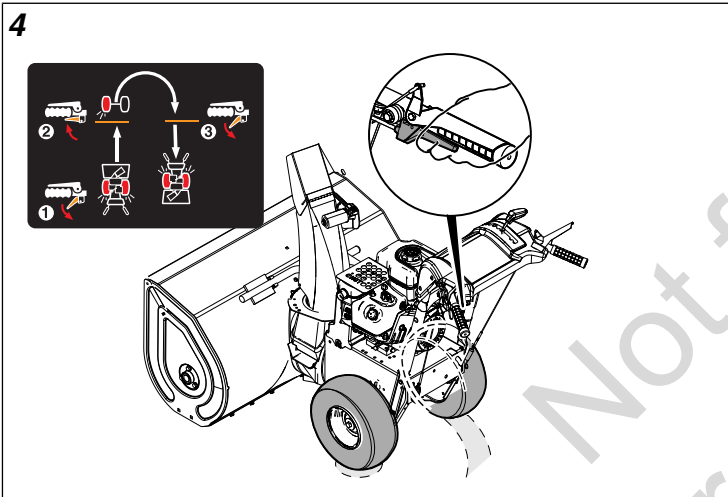
## Stopping the Snowthrower

1. Release the auger control lever (A, Figure 3).
2. Release the traction control lever (F).
3. Stop the engine. Please refer to the engine operator's manual for engine instructions.

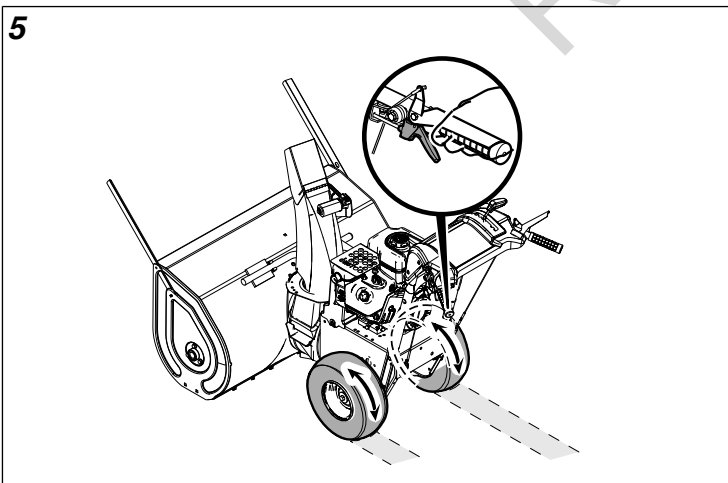
## Easy Turn™ Traction Control (if equipped)

For easy turning when using the snowthrower, squeeze the Easy Turn traction control lever (Figure 4).

*NOTE: The Easy Turn will be more difficult to activate under a heavy load. Activate the level before beginning a turn.*



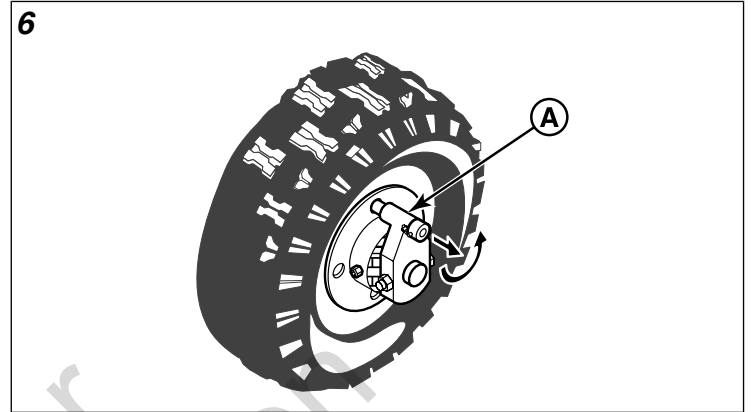
Engaging the Easy Turn traction control lever releases one of the traction wheels, but allows the other wheel to continue driving. Releasing the Easy Turn traction control lever automatically engages both drive wheels for full traction (Figure 5).



## Wheel Release - Lock Knob (if equipped)

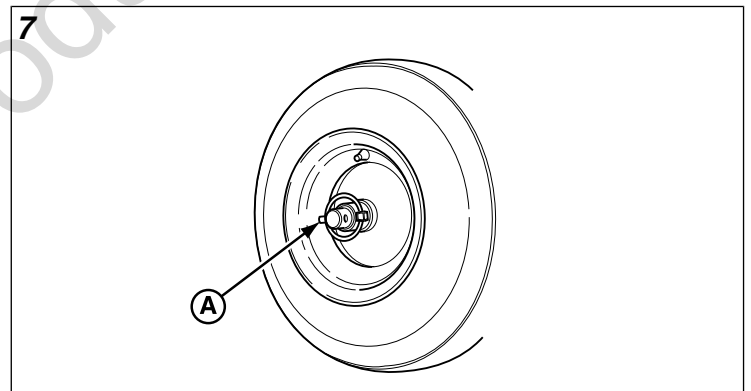
Some models are equipped with a drive wheel release that allows you to disengage one of the drive wheels, for easier transporting of the unit with the engine off.

**Models with Traction Lock Knob:** Wheels equipped with a traction lock knob (A, Figure 6) can be completely released by pulling the knob out away from the wheel until the locking pin is disengaged from the wheel. Then rotate the knob so the pin does not re-engage the wheel. Reverse this process to engage the drive wheel.

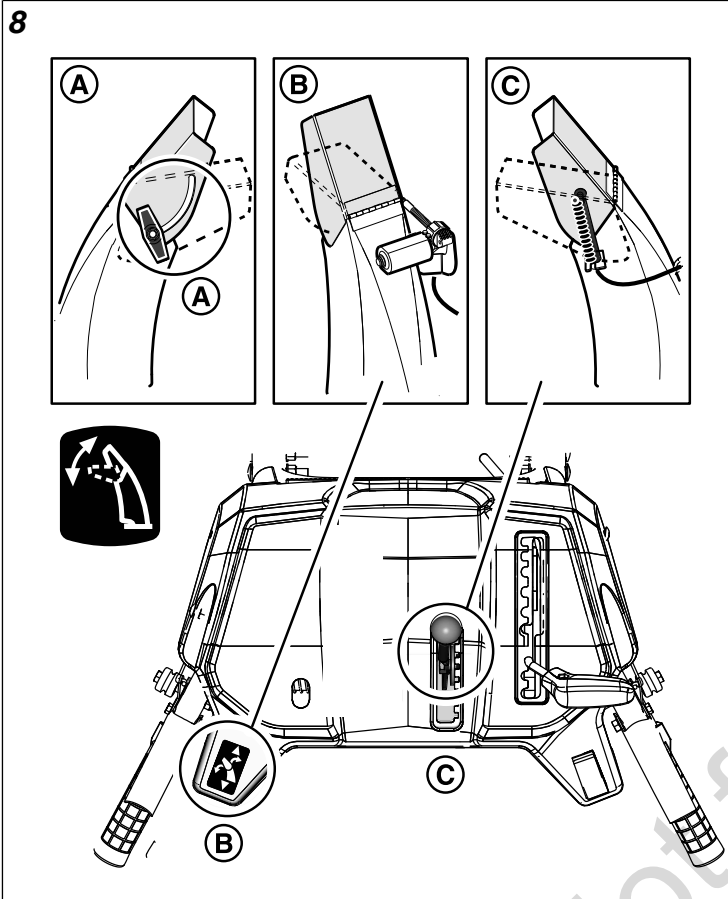


## Wheel Release - Lock Pins (if equipped)

Wheels equipped with a traction lock pin (A, Figure 7) can be completely released by removing the pin and installing it in the outer axle hole. Reverse this process to engage the drive wheel.



## Deflector Adjustment



### A. Manual Deflector Control (if equipped)

Loosen the deflector knob (A, Figure 8), adjust the deflector to the desired position, and then tighten the knob to secure. Raise the deflector to throw snow further.

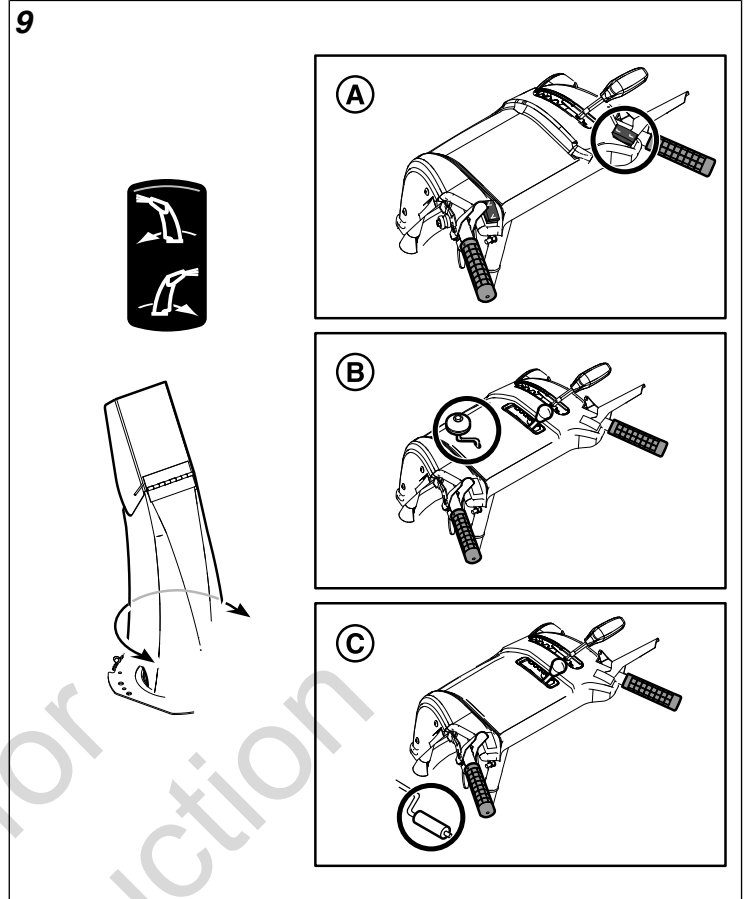
### B. Electric Deflector Control (if equipped)

While the engine is running, press either side of the deflector control switch (B, Figure 8) to move the deflector up and down. Raise the deflector to throw snow further.

### C. In-Dash Deflector Control (if equipped)

Move the deflector control lever (C, Figure 8) forward or backward to raise and lower the deflector. Raise the deflector to throw snow further.

## Chute Rotation Adjustment



### A. Electric Chute Rotation Control (if equipped)

While the engine is running, press either side of the chute rotation switch (A, Figure 9) to rotate the chute left or right.

### B. In-Dash Chute Rotation Control (if equipped)

Locate the in-dash chute rotation crank (B, Figure 9). Rotate the crank to rotate the chute.

### C. Lefthand Crank Chute Rotation Control (if equipped)

Locate the lefthand chute rotation crank (C, Figure 9) Rotate the crank to rotate the chute.

## Filling the Fuel Tank

Please refer to the engine operator's manual for information about filling the fuel tank, and for fuel recommendations.

## Clearing a Clogged Discharge Chute



### Amputation hazard

The discharge chute contains a rotating impeller to throw snow. Fingers can quickly become caught in the impeller. Never clear or unclog the discharge chute with your hands. Always use a clean-out tool.

Failure to observe these safety instructions will result in traumatic amputation or severe laceration.

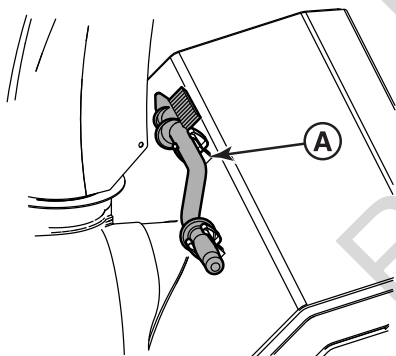
Hand contact with the rotating impeller inside the discharge chute is the most common cause of injury associated with snowthrowers. Never use your hands to clean out the discharge chute.

To safely clear a clogged discharge chute, follow these instructions:

1. Shut OFF the engine.
2. Wait 10 seconds to be sure the impeller blades have stopped rotating.
3. Always use a clean-out tool, not your hands.

A clean-out tool (A, Figure 10) is provided with the unit.

10



## Skid Shoe Height Adjustment



### Amputation hazard

The discharge chute contains a rotating impeller to throw snow. Fingers can quickly become caught and traumatic amputation or severe laceration will result. Hand contact with the rotating impeller inside the discharge chute is the most common cause of injury associated with snowthrowers.

Turn the engine OFF, wait for all moving parts to stop, and remove the engine key before performing any maintenance or repairs.



### Thrown objects hazard

Objects such as gravel, rocks, or other debris, if struck by the impeller, may be thrown with sufficient force to cause personal injury, property damage, or damage to the snowthrower.

Be sure to set the skid shoes at the proper height to maintain ground clearance for the type of surface being cleared.

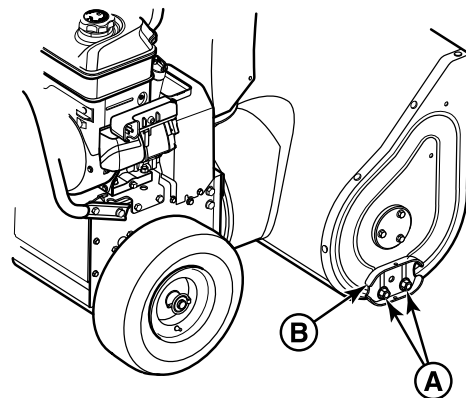
This snowthrower is equipped with two height adjust skids, secured to the outside of the auger housing. These elevate the front of the snowthrower.

When removing snow from a hard surface area such as a paved driveway or walk, adjust the skids up to bring the front of the snowthrower down.

When removing snow from rock or uneven construction, raise the front of the snowthrower by moving the skids down. This will help to prevent rocks and other debris from being picked up and thrown by the augers.

1. Determine how much clearance you want between the scraper bar at the bottom of the auger housing and the ground. If clearing a gravel surface, enough ground clearance is needed to prevent the unit from picking up rocks.
2. Place a block equal to the desired ground clearance under the scraper bar.
3. Loosen the skid shoe mounting nuts (A, Figure 11) and push the skid shoe (B) down until it touches the ground. Re-tighten mounting nuts.

11



4. Set the skid shoe on the other side at the same height.

## Off-Season Storage

If the unit will be stored for 30 days or more at the end of the season, the following steps are recommended to prepare it for storage. Always refer to the operator's manual for important details if the unit is to be stored for an extended period.

Please refer to the engine operator's manual for engine storage information.

*NOTE: Fuel must be removed or treated to prevent gum deposits from forming in the tank, filter, hose, and carburetor during storage.*



#### **Fire and explosion hazard**

Gasoline is highly flammable and its vapors are explosive. Fumes may travel to a distant ignition source and an explosion and/or fire may result.

Handle gasoline carefully. Never store the unit, with fuel in the tank, indoors or in a poorly ventilated enclosure where fuel fumes could reach an open flame, spark, pilot light, such as a furnace, water heater, or clothes dryer.

- Thoroughly clean the unit.
- Lubricate all lubrication points (see *Maintenance* section).
- Make sure all nuts, bolts, and screws are securely fastened. Inspect all visible moving parts for damage, breakage, and wear. Replace if necessary.
- Touch up all rusted or chipped paint surfaces; sand lightly before painting.
- Cover the bare metal parts of the snowthrower housing auger, and the impeller with rust preventative.
- If possible, store your unit indoors and cover it to give protection from dust and dirt.
- If the machine must be stored outdoors, cover with a heavy tarpaulin.

#### **To Return to Service:**

- Fill the fuel tank with a fresh fuel.
- Make sure all fasteners are tight.
- Make sure all guards, shields, and covers are in place.

Not for  
Reproduction

# Maintenance

## Maintenance Schedule

Before Each Use
<ul style="list-style-type: none"><li>• Check engine oil level</li><li>• Perform Safety System Test</li></ul>
Every 8 Hours or Daily
<ul style="list-style-type: none"><li>• Check engine oil level</li></ul>
Every 25 Hours or Annually
<ul style="list-style-type: none"><li>• Lubricate control lever linkage</li><li>• Lubricate the auger assembly</li><li>• Lubricate the discharge chute rotation gear and deflector</li><li>• Lubricate the drive system hex shaft with 5w-30 synthetic motor oil, and chains with grease</li></ul>
Every 50 Hours or Annually
<ul style="list-style-type: none"><li>• Check muffler and spark arrester (if equipped)</li><li>• Check tire pressure</li></ul>

## Engine Maintenance

For engine maintenance schedules and procedures, please refer to the engine operator's manual.

## Control Lever Linkage Lubrication

Check the function of the Free Hand control (A, Figure 12). The controls should function as described in the *Operation* section.



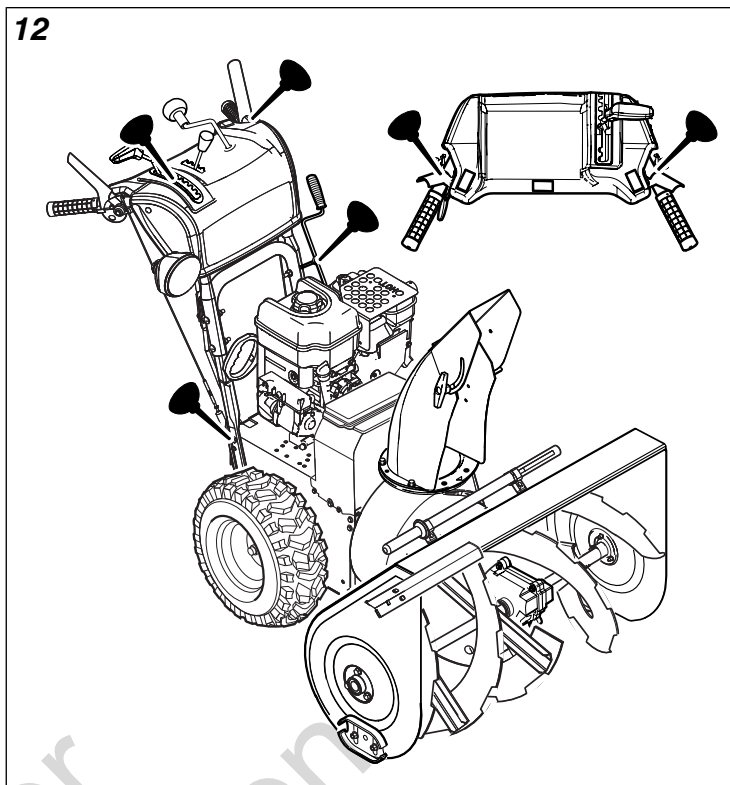
### WARNING

Amputation hazard

It is critical for safe operation of the unit that the controls disengage when released. Under no circumstances should the unit be used if the controls do not function properly. See *Safety Systems Tests* to confirm correct operation.

Lubricate the linkage for the Free Hand control, speed select control, and Easy Turn/Easy Steer control every ten operating hours, or as necessary to ensure safe operation.

12



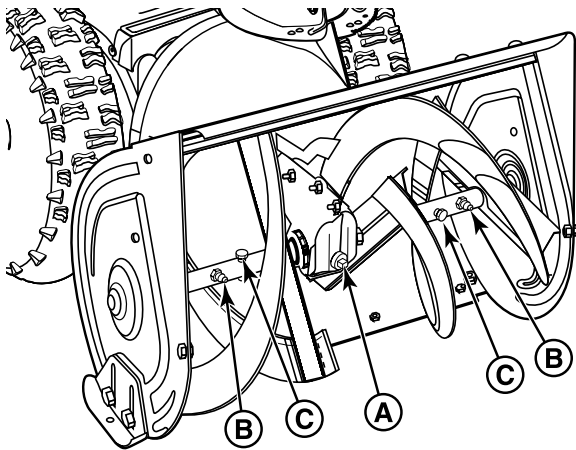
## Auger Assembly Lubrication

### Lubricate Auger Gear Box

The auger gear box is lubricated at the factory and should not require additional lubrication. If additional lubricant is required, use the color of the remaining grease to determine what type of lubricant to add. If the grease is white in color, add Lubriplate GR132 Grease or equivalent. If the grease is brown in color, add EP1 lithium grease. A gearbox lubricant capacity is 3-1/4 ounces, (92 grams).

Check the auger gear box grease level once per year. Using a piece of wire as a dipstick, remove the filler plug (A, Figure 13) and check to confirm the presence of grease in the gearbox. If grease is visible, do not add. If grease is not visible add the required lubricant.

13



### Lubricate Auger Shaft Fittings

Using a grease gun, lubricate the auger shaft fittings (B, Figure 13) every 25 operating hours, or once per season. Each time a shear bolt or pin (C) is replaced, the auger shaft **MUST** be greased.

For storage or when replacing shear bolts or pins, remove the shear bolts or pins (C), lubricate the shaft fittings (B), and rotate the augers several times to distribute the grease. Reinstall the shear bolts or pins when complete.

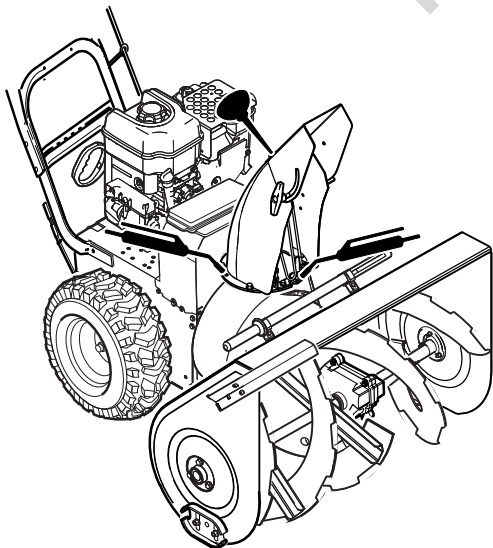
*NOTE: Some models are not equipped with grease fittings and are exempt from these requirements.*

### Discharge Chute and Deflector Lubrication

Lubricate the chute rotation gear (Figure 14) with grease, and the deflector mechanism with automotive type oil every twenty five operating hours.

Where an oil can is pictured, lubricate with engine oil. Where a grease gun is pictured, lubricate with lithium grease.

14



## Hex Shaft and Chain Lubrication

### NOTICE

Do not allow grease or oil to contact the rubber friction wheel or the disc drive plate. If the disc drive plate or friction wheel come in contact with grease or oil damage to rubber friction wheel will result.

If grease or oil comes into contact with the disc drive plate or friction wheel, make sure to clean plate and wheel thoroughly with an alcohol based solvent.

1. Position speed select lever in the first forward gear.
2. Drain fuel to an approved container.


**WARNING**


### Fire and explosion hazard

Gasoline is highly flammable and its vapors are explosive.

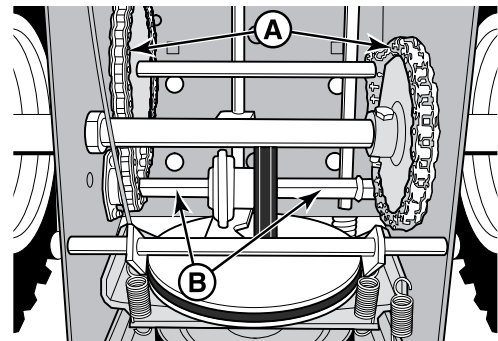
Drain gasoline outdoors, away from fire and other ignition sources. Wipe up any spills immediately. Do **NOT** allow open flame, smoking, or matches in the area.

3. Stand the snowthrower up on the auger housing end.

*NOTE: When the crankcase is filled with oil, do not leave the snowthrower standing up on the auger housing for an extended period of time.*

4. Remove the bottom panel.
5. Lubricate the chains (A, Figure 15) with grease.

15



6. Wipe the hex shaft (B) with 5W30 synthetic motor oil, before storage and at the beginning of each season.
7. Install the bottom panel.

### Traction Cable Inspection

The cables are adjusted at the factory and no adjustment should be necessary. However, if the cables have become stretched or are sagging, adjustment will be necessary. Please see your dealer for this adjustment.

## Traction Drive Belt Adjustment

The traction drive belt is under constant spring tension and does not require any adjustment. If the traction drive belt is slipping, see your authorized dealer.

## Speed Control Rod Adjustment

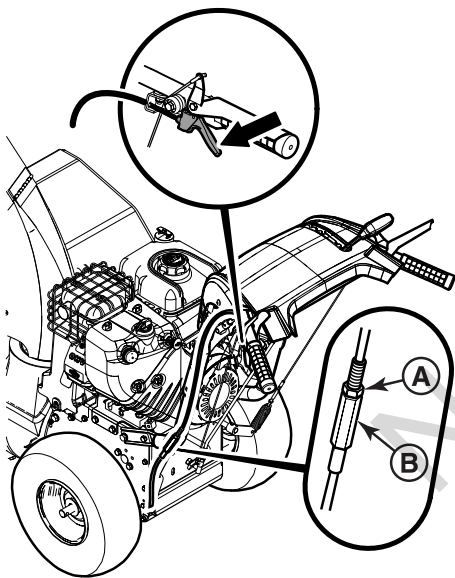
If the speed control rod requires adjustment, see an authorized dealer.

## Easy Turn™ Cable Adjustment

If the Easy Turn cable has stretched, the gears will not disengage when the control lever is activated. Adjust the cable using the following procedure.

1. Turn the engine off and remove the key.
2. Loosen the jam nut (A, Figure 16).

16



3. Turn the adjustment nut (B) to lengthen or shorten the cable. The cable should be tightened until all slack is removed from the lever. However, it must not engage the Easy Turn without depressing the control lever.
4. Tighten the jam nut (A).

## Auger Cable Adjustment



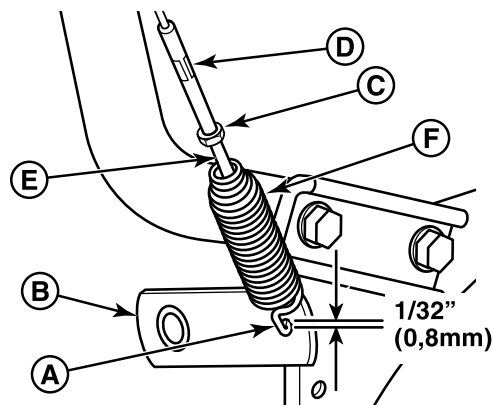
**WARNING**  
**Amputation hazard**

Over-tighten the auger cable may cause the auger drive to engage without depressing the auger drive control.

Follow the adjustment procedure to ensure the cable is not over-tightened.

1. With the auger control lever released, the hook (A, Figure 17) should barely touch the lever (B) without raising it. There can be a maximum of 1/32" (0.8 mm) clearance.

17



2. To adjust, loosen the nut (C) by holding the adjusting flats (D) and turning the nut. Then, turn the adjusting flats and hold the adjustment screw (E). The adjustment screw is a Phillips screw and the head can be held or turned by inserting a screwdriver through the spring (F).
3. Hold the adjusting flats and tighten the nut.
4. To ensure that the auger does not engage unless the control is fully depressed, please perform the *Safety System Tests*. **The auger must stop within 5 seconds of the control being released.**

## Determine Which Shear Bolt/Pin System You Have

Please refer to the Illustrated Parts List to determine if your unit requires a shear bolt or shearbolt and spacer combination.



**DANGER**  
**Amputation hazard**

The discharge chute contains a rotating impeller to throw snow. Fingers can quickly become caught and traumatic amputation or severe laceration will result. Hand contact with the rotating impeller inside the discharge chute is the most common cause of injury associated with snowthrowers.

Turn the engine OFF, wait for all moving parts to stop, and remove the engine key before performing any maintenance or repairs.

## Shear Pin Replacement

Augers are secured to the auger shaft with special pins that are designed to break if an object becomes lodged in the auger housing. Use only factory spec, or equivalent, shear pins.

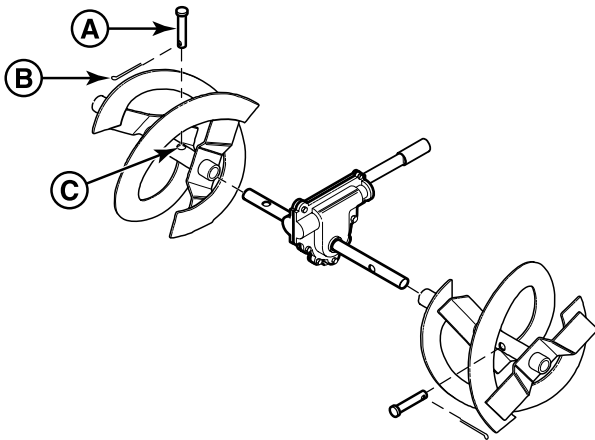
1. Turn off the engine and wait for all moving parts to stop.
2. Remove the existing shear pin.
3. Lubricate the auger grease fittings and rotate the auger to lubricate the auger shaft.

*NOTE: Some models are not equipped with grease fittings and are exempt from this step.*



- Align the shear pin holes. Install the new shear pin (A, Figure 18) through the auger shaft (C). Secure with a cotter pin (B).

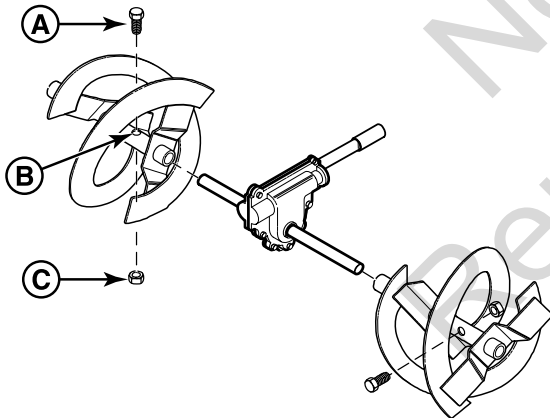
18



### Shear Bolt Replacement

- Turn off the engine and wait for all moving parts to stop.
- Remove the existing shear bolt.
- Lubricate the auger grease fittings. Spin the auger to lubricate the auger shaft.
- Align the bolt holes. Install the new shear bolt (A, Figure 19) through the auger shaft (B). Secure with the locknut (C).

19

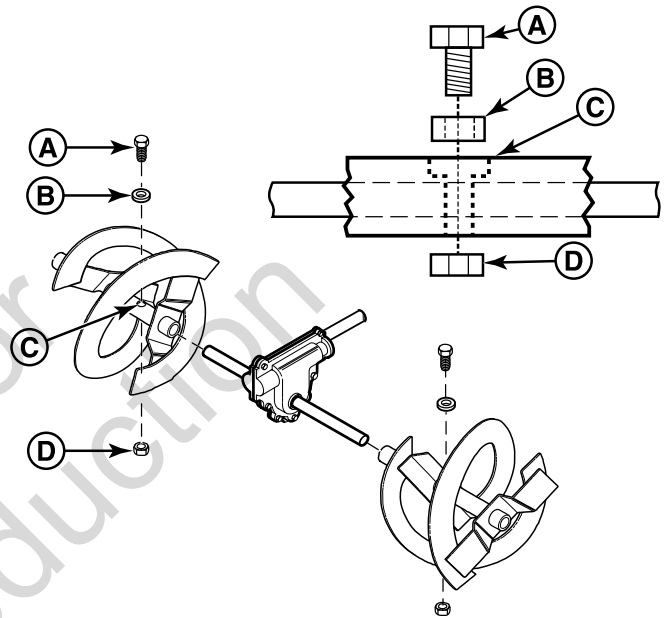


### Shear Bolt and Spacer Replacement

Augers are secured to the auger shaft with special bolts that are designed to break if an object becomes lodged in the auger housing. Use only factory spec, or equivalent, shear bolts.

- Turn off the engine and wait for all moving parts to stop.
- Remove the existing shear bolt.
- Lubricate the auger grease fittings. Spin the auger to lubricate the auger shaft.
- Align the bolt and spacer holes. Install the new shear bolt (A, Figure 20), spacer (B), through the auger shaft (C). Secure with the locknut (D).

20



### Checking Tire Pressure

Tire pressure should be checked periodically. Recommended tire pressure varies by tire manufacturer. A good rule of thumb is to inflate the tire up to, but not exceeding, the "Max Inflation" stamped on the side-wall of the tire.

# Troubleshooting

## Troubleshooting Chart

Perform the inspection or repair as indicated in the Troubleshooting Chart.

Problem	Look for	Remedy
Auger does not stop within 5 seconds after right control lever is released.	Free Hand control (if equipped) is ACTIVE.	Release both auger control and Free Hand control (if equipped) to stop auger.
	Auger drive belt out of adjustment.	See authorized dealer.
	Auger belt guide out of adjustment.	See authorized dealer.
Discharge chute or deflector does not work (electric).	Electrical failure.	See authorized dealer.
Discharge chute or deflector does not work (remote-manual).	Discharge chute or deflector out of adjustment or needs lubrication.	Adjust and/or lubricate control linkage.
Drive fails to move snowthrower at slow speeds.	Traction control out of adjustment.	See authorized dealer.
Engine fails to start.	Key is in OFF position.	Set key to ON position.
	Failure to prime a cold engine.	Press primer button twice and restart.
	Fuel shut-off valve, if equipped, is in CLOSED position.	Turn valve to OPEN position.
	Out of fuel.	Fill fuel tank.
	Choke OFF - cold engine.	Turn choke ON, set throttle to FAST.
	Engine flooded.	Move the choke to OPEN/RUN position, move throttle to FAST position, and crank until the engine starts.
	No spark.	See authorized dealer.
Engine starts hard or runs poorly.	Water in fuel, or old fuel.	Drain tank. (Dispose of fuel at an authorized hazardous waste facility.) Fill with fresh fuel.
	Spark plug faulty, fouled, or gapped improperly.	See authorized dealer.
	Fuel cap vent is blocked.	Clear vent.
Excessive vibration.	Loose parts or damaged impeller.	Stop engine immediately. Tighten all hardware. If vibration continues, have the unit serviced by an authorized dealer.
Snowthrower does not stop when traction control lever is released.	Traction control out of adjustment.	See authorized dealer.
Scraper bar does not clean hard surface.	Skid shoes and scraper bar improperly adjusted.	Raise or lower skid shoes and scraper bar.
Unit fails to propel itself.	Drive belt loose or damaged.	Replace drive belt. See authorized dealer.
	Incorrect adjustment of traction drive cable.	See authorized dealer.
	Worn or damaged friction disc.	Replace friction disc. See authorized dealer.
Unit fails to discharge snow.	Auger drive belt loose or damaged.	See authorized dealer.
	Auger control cable not adjusted correctly.	Adjust auger control cable. Refer to Maintenance section of this manual.
	Broken shear pin or shear bolt.	Replace shear pin or bolt. Refer to <i>Maintenance</i> section of this manual , or see an authorized dealer.
	Discharge chute clogged.	Stop engine immediately. Always use the clean-out tool to clear a clogged discharge chute, not your hands. Clean discharge chute and inside of auger housing. Refer to <i>Discharge Chute Warning</i> in the <i>Operator Safety</i> section.
	Foreign object lodged in auger.	Stop engine immediately. Always use the clean-out tool to clear a clogged chute, not your hands. Remove object from auger. Refer to WARNINGS in the <i>Operator Safety</i> section.

## Produits couverts par ce manuel

Les produits suivants sont couverts dans ce manuel :

1695979, 1695984, 1695985, 1695986, 1695987, 1695988, 1696000, 1696001, 1696002, 1696003, 1696004, 1696005, 1696006, 1696007, 1696024, 1696025, 1696026, 1696028, 1696029, 1696030, 1696080, 1696081, 1696082, 1696083, 1696123, 1696125

## Table des matières :




Sécurité de l'opérateur.....	19
Tests du système de sécurité.....	25
Fonctions et commande.....	27
Fontionnement.....	28
Entretien.....	34
Dépannage.....	39

© 2011 Briggs & Stratton Corporation, Milwaukee, WI, États-Unis. Tous droits réservés.

Les images de ce document sont des illustrations destinées à renforcer les instructions qui les accompagnent. Votre machine peut être différente de celle illustrée sur les images. *GAUCHE* et *DROIT* Correspondent à la position de l'utilisateur.

## Sécurité de l'opérateur

### Avertissement concernant la goulotte d'éjection

**DANGER**

**Danger d'amputation**

**Le conduit d'éjection contient un impulseur rotatif pour éjecter la neige. Les doigts peuvent facilement être prises dans l'impulseur. Ne débouchez ou ne dégagez jamais le conduit d'éjection avec vos mains. Utilisez toujours un outil de nettoyage.**


**La faillite d'observer ces instructions de sécurité résultera à une amputation traumatique ou dilacératon grave.**


Le contact des mains avec la turbine rotative dans la goulotte d'éjection est la cause la plus courante de blessure associée aux souffleuses à neige. N'utilisez jamais vos mains pour curer la goulotte d'éjection.


**Pour déboucher en toute sécurité une goulotte d'éjection obstruée, suivre ces instructions :**


1. Arrêter le moteur.
2. Attendre 10 secondes pour s'assurer que les lames de la turbine se sont arrêtées de tourner.
3. Utilisez toujours un outil de nettoyage, non vos mains.

## Symboles de sécurité et mots indicateurs

Le symbole d'alerte de sécurité  indique a potential personal injury hazard. Un mot-indicateur (DANGER, AVERTISSEMENT ou MISE EN GARDE) est utilisé avec le symbole d'alerte pour indiquer la probabilité ou la gravité du danger. Un symbole de danger peut être utilisé pour représenter le type de danger. Le mot-indicateur AVIS est utilisé pour faire référence aux conditions d'utilisation non associées à des dommages corporels.















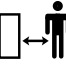
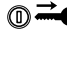


 **DANGER** indique un danger qui, si non évité, *résultera* à la mort ou blessure grave.

 **AVERTISSEMENT** indique un danger qui, si non évité, *peut* résulter à la mort ou blessure grave.

 **MISE EN GARDE** indique un danger qui, si non évité, *peut* résulter à une blessure mineure.

**REMARQUE** conditions d'utilisations non associées à des dommages corporels.

## Symboles de danger pour les souffleuses à neige à deux temps

Symbole	Signification	Symbole	Signification
	Informations de sécurité sur les dangers pouvant provoquer des dommages corporels.		Lire et comprendre le manuel de l'utilisateur avant d'utiliser ou d'entretenir la machine.
	Danger d'amputation - turbine rotative.		Lire le manuel de l'utilisateur avant d'effectuer une réparation ou de l'entretien.
	Danger d'amputation - turbine rotative.		Danger d'amputation - tarière rotative
	Danger d'amputation - ne pas toucher les parties mobiles.		Danger de projection d'objets.
	Risque d'incendie.		Danger d'explosion.
	Danger de décharge électrique.		Danger de fumées toxiques.
	Danger de surface chaude.		Protection des oreilles recommandée pour une utilisation prolongée.
	Garder une distance de sécurité.		Retirer la clé avant d'effectuer des réparations ou de l'entretien.
	Tenir les enfants à distance.		Danger d'effet de recul.

## Avertissements locaux



### AVERTISSEMENT

**Modèles des É.-U. : Certains composants de cet équipement et de ses accessoires contiennent des produits chimiques reconnus dans l'état de Californie comme étant cause de cancer, d'anomalies congénitales ou d'autres effets néfastes sur la fonction de reproduction. Se laver les mains après manipulation. Se laver les mains après manipulation.**



### AVERTISSEMENT

**Modèles des É.-U. : Les gaz d'échappement de ce moteur contiennent des substances chimiques pouvant causer des cancers, des malformations fœtales ou d'autres problèmes de fécondation.**

## Avertissements généraux de sécurité.

### Lecture du manuel



### DANGER

**Cette souffleuse à neige est capable d'amputer les mains ou les pieds et de jeter des objets. Lire et observer toutes instructions de sécurité dans ce manuel. La faillite de le faire résultera à la mort ou blessure grave.**



### AVERTISSEMENT

**Lire le manuel de l'utilisateur avant d'utiliser la machine. Cette machine peut être dangereuse si utilisée d'une manière négligente.**

- Ne jamais utiliser la souffleuse à neige sans que toutes les protections, caches, écrans protecteurs et autres dispositifs de sécurité ne soient en place et en état de marche.
- Arrêter le moteur lorsque vous éloigner de la machine.
- Arrêter le moteur et retirer la clé avant de déboucher le carter de la turbine ou la goulotte d'éjection et avant de faire des réparations ou des réglages.
- Retirer la clé quand vous quittez la machine.
- Pour réduire le risque d'incendie, garder la machine propre et libre de tout déversement de carburant, d'huile et de débris.



### AVERTISSEMENT

**Lire, comprendre et suivre toutes les instructions sur la souffleuse à neige dans le manuel de l'opérateur avant de faire fonctionner cette machine. La faillite d'observer les instructions de sécurité dans ce manuel peut résulter à la mort ou une blessure grave.**

- Bien se familiariser avec les commandes et l'utilisation appropriée de la souffleuse à neige.

- S'assurer d'être bien entraîné avant de faire fonctionner la souffleuse à neige.
- Savoir arrêter la machine et débrayer rapidement les commandes.
- Ne jamais laisser une autre personne faire fonctionner la souffleuse à neige sans surveillance.
- Toujours suivre les instructions du manuel de l'utilisateur au cas où la souffleuse de neige aurait été remise pendant une période prolongée. Prendre soin des étiquettes de sécurité et d'instructions et les remplacer au besoin.
- Ne jamais tenter d'effectuer des réparations importantes sur la souffleuse à neige à moins d'avoir reçu une formation adéquate. L'entretien inadéquat de la souffleuse à neige peut résulter à un fonctionnement dangereux, dommage à l'équipement et l'invalidation de la garantie du produit.

## Sécurité de l'équipement et de son fonctionnement



### AVERTISSEMENT

**Cette souffleuse à neige est aussi sûre que son utilisateur puisse l'être. Si mal utilisé ou mal entretenu, ceci peut être dangereux. Se rappeler : vous êtes responsable de votre sécurité et de celle des personnes qui vous entourent.**

- Garder toutes les personnes, en particulier les enfants et les animaux de compagnie, à distance.
- Inspecter complètement l'endroit où la souffleuse à neige sera utilisée et enlever tous tapis d'accueils, les luges, les planches à neige, les cordons d'alimentation et autres corps étrangers.
- Ne pas faire fonctionner la souffleuse à neige sans porter des vêtements de neige convenables.
- Le port de chaussures améliorera la stabilité sur des surfaces glissantes. Utiliser des précautions pour éviter de glisser ou de tomber particulièrement lors du fonctionnement de la souffleuse à neige en marche arrière.
- Ne jamais utiliser la machine si la visibilité est mauvaise ou si la lumière est insuffisante.
- Débrayer la tarière pendant son transport.
- Toujours garder un bon équilibre et tenir fermement les poignées. Marcher, ne jamais courir.
- Ne pas déblayer la neige de la surface des pentes. Utiliser une précaution extrême lors du changement de direction sur les pentes. Ne pas tenter de déblayer des pentes raides.
- Ne pas surcharger la capacité de la machine en essayant de déblayer la neige trop vite.
- Ne jamais déplacer rapidement la souffleuse à neige sur des surfaces glissantes. Regarder derrière la souffleuse à neige et faites preuve de prudence lors des marches arrière.

- Ne pas utiliser la souffleuse à neige sur des surfaces audessus du sol comme les toits des résidences, les garages, les vérandas ou toutes autres structures ou édifices.
- Les opérateurs doivent évaluer leur habilité de faire fonctionner la souffleuse à neige en toute sécurité suffisamment pour protéger eux-mêmes et les autres de blessures.
- La souffleuse à neige est conçue pour enlever la neige seulement. Ne pas utiliser la souffleuse à neige à d'autres fins.
- Ne pas transporter de passagers.
- Après avoir frappé un corps étranger, arrêter le moteur, déconnecter le cordon des moteurs électriques, inspecter complètement la souffleuse à neige pour aucun dommage, et réparer le dommage avant de recommencer et de faire fonctionner la souffleuse à neige.
- Si la souffleuse à neige secousse d'une manière anormale, arrêter le moteur. Toute vibration est généralement un avertissement de problème. Consulter un concessionnaire agréé si nécessaire pour des réparations.
- Pour des modèles munis avec des moteurs de démarrage électrique, débrancher le cordon d'alimentation après que le moteur est mis en marche.
- Faire preuve d'extrême prudence à proximité des routes, des allées ou des chemins en gravier. Faire attention aux dangers non évidents et à la circulation.
- Faire fonctionner la machine pendant quelques minutes pour éliminer la neige de la tarière et éviter que l'ensemble de la tarière et de la turbine ne gèle.
- Si c'est pratique, retirer le matériel du camion ou de la remorque fonctionnant à l'essence et faire le plein au sol. Quand cela n'est pas possible, faire le plein d'un tel équipement sur une semi-remorque avec un bidon portable plutôt qu'avec un distributeur d'essence.
- Garder en permanence le pistolet en contact avec le bord du réservoir de carburant ou de l'ouverture du récipient jusqu'à ce que le plein soit fait. NE PAS utiliser de dispositif à ouverture bloquée de bec.
- Remettre soigneusement le bouchon d'essence et laisser le carburant répandu s'évaporer avant de démarrer le moteur.
- Ne pas remplir trop le réservoir de carburant. Pour permettre l'expansion de l'essence, ne pas remplir au-dessus le bas du cou du réservoir de carburant.
- Maintenir le carburant éloigné d'étincelles, de flammes nues, de veilleuses, de la chaleur ou d'autres sources d'allumage.
- Vérifier souvent les lignes de carburant, le bouchon et les accessoires pour fissures et fuites. Remplacer si nécessaire.
- Utiliser un réservoir de carburant approuvé.
- Si du carburant se répand, attendre jusqu'à ce qu'il s'évapore avant de démarrer le moteur.
- En cas d'éclaboussures d'essence sur les vêtements, en changer immédiatement.

#### Lors du démarrage du moteur :

- S'assurer que la bougie, le pot d'échappement, le bouchon de réservoir de carburant et le filtre à air (si l'unité en est équipée) sont en place et attachés.
- Lorsque la bougie d'allumage est enlevée, ne pas mettre en marche le moteur.
- Si du carburant se répand, ne pas tenter de démarrer le moteur, mais éloigner la souffleuse à neige de la zone du déversement et éviter de créer toute source d'inflammation jusqu'à ce que les vapeurs de carburant se soient dissipées.
- Ne pas amorcer trop le moteur. Suivre les instructions dans ce manuel pour mettre le moteur en marche.
- Si le moteur est noyé, régler le volet de départ (si équipé) à la position OUVERT / MARCHE, déménager l'accélérateur (si équipé) à la position VITE et mettre en marche le moteur.

#### Lors de l'utilisation de la machine :

- Ne pas faire basculer la souffleuse à neige au-delà d'un angle qui provoquerait le renversement du carburant.
- Ne pas étrangler le carburateur pour arrêter le moteur.
- Ne jamais faire fonctionner le moteur si l'épurateur d'air (si équipé) ou le filtre à air est enlevé.
- Si la vidange de l'huile est faite depuis la partie supérieure du tube de remplissage d'huile, le réservoir de carburant doit être vide, sinon une fuite de carburant peut être cause d'incendie ou d'explosion.

#### Lors du transport de la machine :

### Manipulation de carburant



**AVERTISSEMENT**

**Le carburant et ses vapeurs sont extrêmement inflammables et explosifs. Toujours manipuler l'essence avec la plus grande des précautions.**

**Le fait de ne pas observer ces instructions de sécurité peut causer un incendie ou une explosion pouvant entraîner de graves brûlures, voire la mort.**

#### Lors de l'appoint en carburant :

- ne jamais ajouter du carburant à un moteur qui tourne ou à un moteur chaud.
- Arrêter le moteur et laisser refroidir pour au moins 2 minutes avant d'enlever le bouchon de réservoir pour ajouter le carburant.
- Remplir le réservoir de carburant dehors ou dans un endroit bien ventilé.
- Ne jamais remplir de récipients à l'intérieur d'un véhicule ou dans un camion ou sur un plateau de remorque ayant un revêtement en plastique. Toujours placer les bidons sur le sol, éloignés de tout véhicule, avant de les remplir.

- Transporter lorsque le réservoir est VIDE, ou lorsque la soupape d'arrêt est fermée.

### Lors de l'entreposage d'essence ou du remisage de la machine avec du carburant dans le réservoir :

- L'essence est extrêmement inflammable et ses vapeurs sont explosives. Les émanations peuvent se propager jusqu'à une source d'ignition éloignée et peuvent causer une explosion et/ou un incendie.
- Manipuler l'essence avec prudence. Ne jamais remiser la machine avec du carburant dans le réservoir, à l'intérieur d'une enceinte mal aérée ou les émanations pourraient atteindre une flamme nue, une étincelle ou une veilleuse, telle que celle d'une chaudière, un chauffe-eau ou une sècheuse à linge.
- Entreposer loin des fournaies, des poêles, des chauffe-eaux ou autres appareils qui ont une flamme d'allumage ou autre source d'allumage qui peut allumer les vapeurs de carburant.

### Pièces en mouvement



**Gardez les mains, les pieds et les vêtements loin des pièces rotatives. Les pièces rotatives peuvent contacter ou enchevêtrer les mains, les pieds, les cheveux, les vêtements ou accessoires.**

**La faillite d'observer ces instructions de sécurité résultera à une amputation traumatique ou dilacération grave.**

- Chaque fois que la souffleuse à neige est nettoyée, réparée ou inspectée, s'assurer que le moteur soit ARRÊTÉ, que la clé de contact soit retirée et que toutes les pièces mobiles soient à l'arrêt.
- Ne pas mettre les mains ou les pieds à proximité ou sous les pièces rotatives. Toujours se tenir à l'écart de l'ouverture d'éjection.
- Ne pas faire fonctionner la souffleuse à neige sans de protection approuvés et autres dispositifs de sécurité en place lors du fonctionnement.
- Ne jamais laisser votre souffleuse à neige sans surveillance lorsque le moteur est en marche. Toujours débrayer les commandes de tarière et de traction, arrêter le moteur et retirer les clés.
- Maintenir vos vêtements à l'écart du devant de la souffleuse à neige et de la tarière. Les foulards, les mitaines, les cordons pendantes, les vêtements lâches et pantalons peuvent rapidement être prises dans le dispositif rotatif et une amputation se produira. Attacher les cheveux longs et enlever les bijoux.
- Faire tourner la machine quelques minutes après avoir déblayé la neige pour empêcher le collecteur ou la turbine de geler.
- Débrayer la commande de l'ensemble de la tarière et de la turbine pour transporter la souffleuse à neige et lorsqu'elle n'est pas utilisée.

### Objets projetés



**Des objets peuvent se prendre dans la tarière et être rejetés par la goulotte. Ne jamais jeter la neige vers les spectateurs et ne permettre à personne de se placer devant la souffleuse à neige. Le fait de ne pas observer ces instructions de sécurité pourrait provoquer de graves blessures, voire même la mort.**

- Porter des lunettes de protection ou des protecteurs oculaires pendant l'utilisation et pendant un réglage ou une réparation pour se protéger les yeux de corps étrangers pouvant être rejetés de la machine.
- Être toujours attentif de la direction d'où la neige est éjectée. Les piétons tous près, les animaux domestiques ou les propriétés peuvent être endommagés par la projection des objets.
- Être attentif de votre environnement pendant le fonctionnement de la souffleuse à neige. Si vous passer par dessus des objets comme le gravier, les tapis d'accueil, les journals, les jouets et les pierres cachées sous la neige, tous peuvent être projetés du conduit ou bloqués dans la tarière.
- Être très prudent lors du fonctionnement sur ou traversant les voies d'accès, les trottoirs ou les routes de gravel.
- Régler la hauteur du carter de la tarière pour éviter tout contact avec les surfaces en gravier ou en pierre concassée.
- Ne jamais utiliser la souffleuse à neige à proximité de vitres, de voitures, d'encadrements de soupirail, de stationnements ou autres sans réglage adéquat de l'angle du conduit d'éjection.
- Se familiariser avec la zone dans laquelle vous prévoyez d'utiliser la souffleuse à neige. Marquer les bornes des voies d'accès et des trottoirs.

### Enfants



**Les accidents tragiques peuvent arriver si l'opérateur n'est pas attentif à la présence des enfants. Les enfants sont souvent attirés par la machine et le soufflage de neige. Ne jamais penser que les enfants vont rester là où vous les avez vu en dernier.**

- Garder les enfants éloignés de la zone pendant l'utilisation. Les enfants sont souvent attirés par l'équipement. Être attentif aux personnes présentes.
- Être vigilant et arrêter la machine si des enfants pénètrent dans la zone d'utilisation.
- Ne jamais laisser les enfants se servir de la machine.
- Faire preuve de prudence à l'approche d'angles morts, d'arbustes, d'arbres et d'autres objets susceptibles de masquer la vision. Les enfants peuvent être présents.

## Sécurité du moteur



### AVERTISSEMENT

**Le fonctionnement sans danger de la souffleuse à neige demande un soin et entretien vigilant. La faillite d'observer les instructions de sécurité dans ce manuel peut résulter à la mort ou une blessure grave.**

- Débrayer toutes les manettes et passer au point mort avant de démarrer le moteur.
- Laisser le moteur s'adapter à la température de l'extérieur avant de commencer à déblayer la neige.
- Utiliser des cordons d'alimentation et des prises tels que spécifiés par le fabricant pour toutes les machines munies de moteurs électriques d'entraînement ou de moteurs électriques de démarrage.
- Utiliser une fiche trifilaire mis à la terre pour toutes souffleuses à neige muni d'un moteur d'entraînement électrique ou d'un moteur de démarrage électrique.



### AVERTISSEMENT

#### Danger d'effet de recul

**Une rétraction rapide du cordon de démarreur (effet de rebond) tirera la main ou le bras de l'opérateur vers le moteur plus rapidement que l'on ne peut relâcher le cordon de démarreur. Des os cassés, des fractures, des blessures, ou des foulures peuvent en résulter.**

**Lors du démarrage du moteur, tirer lentement le cordon du démarreur jusqu'à ce qu'une résistance se produise et tirer ensuite rapidement pour éviter tout effet de rebond.**

## Monoxyde de carbone



### AVERTISSEMENT

**Les moteurs émettent du monoxyde de carbone, un gaz toxique sans odeur ni couleur.**

**Respirer du monoxyde de carbone peut provoquer des nausées, des évanouissements, voire même la mort.**

- Démarrer et faire tourner le moteur à l'extérieur.
- Ne pas faire tourner le moteur dans un endroit clos, même si les portes ou les fenêtres sont ouvertes.

## Source d'allumage



### AVERTISSEMENT

**Le démarrage du moteur produit des étincelles.**

**Les étincelles peuvent allumer des gaz inflammables à proximité.**

**Explosion et feu peu en résulter.**

- S'il y a une fuite de gaz naturel ou de GPL dans les environs, ne pas démarrer le moteur.
- Ne pas utiliser de fluides de démarrage sous pression en raison de l'inflammabilité des vapeurs.

## Surfaces chaudes



### AVERTISSEMENT

**Le mis en marche du moteur produit de la chaleur. Les pièces du moteur, spécialement le pot d'échappement, deviennent extrêmement chaudes.**

**La faillite d'observer ces instruction de sécurité peut résulter à des brûlures thermiques graves au contact.**

- Ne jamais toucher un moteur ou un silencieux chaud. Laisser le silencieux, le cylindre de moteur et les ailettes refroidir avant de toucher.
- Enlever tous débris de la section du silencieux et de la section du cylindre.
- Installer et entretenir en bon état le pare-étincelles avant d'utiliser l'équipement sur une terre brute de couverture de forêt, de gazon ou de brousse.
- **Modèles pour les États-Unis :** C'est une infraction à la Section 4442 du Code de ressources publiques de Californie (California Public Resource Code) d'utiliser ou de faire fonctionner le moteur sur ou à proximité de terrains forestiers, broussailleux ou herbeux à moins que le système d'échappement ne soit équipé d'un pare-étincelles conforme aux lois de l'état et locales en vigueur. D'autres provinces ou zones fédérales peuvent avoir des lois similaires.

## Entretien et remisage


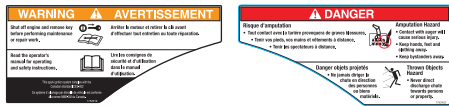


### AVERTISSEMENT

**Cette souffleuse à neige doit être proprement entretenue pour assurer un fonctionnement et une performance en toute sécurité. La faillite d'observer les instructions de sécurité dans ce manuel peut résulter à la mort ou une blessure grave.**

- Lors de tout entretien ou réparation de la souffleuse à neige, ARRÊTER le moteur, attendre que toutes les pièces mobiles soient arrêtées et retirer la clé du moteur pour empêcher quiconque de démarrer accidentellement le moteur.
- Vérifier le bon serrage des boulons d'obturateur et autres quincailleries à des intervalles réguliers afin d'assurer le bon état de fonctionnement de la souffleuse à neige.
- Conserver les écrous et boulons bien serrés et la souffleuse à neige en bon état de marche.
- Ne jamais altérer les dispositifs de sécurité. Vérifier régulièrement leur bon fonctionnement et réparer le cas échéant.
- Les composants sont soumises à l'usure, aux dommages et à la détérioration. Vérifier fréquemment les composants et remplacer les pièces recommandés au besoin.

- Vérifier fréquemment le fonctionnement des commandes. Ajuster et réparer le cas échéant.
- Lors de réparations, utiliser uniquement des pièces de rechange d'origine homologuées ou identiques.
- Toujours se conformer aux spécifications d'usine sur tous les paramètres et réglages.
- Seuls les centres de service homologués doivent être utilisés pour effectuer les entretiens et réparations importants.
- Utiliser uniquement des appareils ou des accessoires homologués par le fabricant ou identiques (comme par exemple les masses d'équilibrage, les contrepoids ou les cabines).
- Ne jamais essayer de faire des ajustements pendant que le moteur est en marche (à l'exception de la recommandation spécifique du fabricant).
- Toujours se référer au manuel d'utilisateur pour des détails importants si la souffleuse à neige doit être remise pour une longue période.

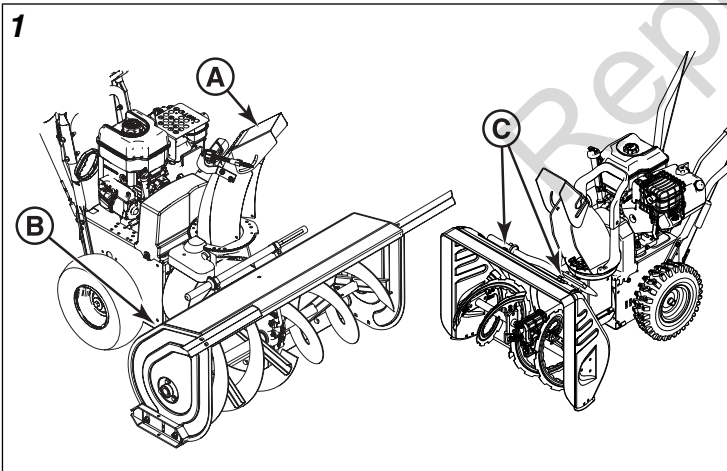
<p><b>B</b> Étiquette Danger Tarière (grands modèles)</p>	
<p><b>C</b> Étiquette Danger Tarière (petits modèles)</p>	


## Étiquettes de sécurité

Avant d'utiliser votre unité, lire les étiquettes autocollantes de sécurité. Les précautions et les avertissements sont pour votre sécurité. Pour éviter tout dommage corporel ou dégât de la machine, comprendre et suivre toutes les instructions des étiquettes autocollantes de sécurité.

### AVERTISSEMENT

Si les étiquettes autocollantes de sécurité sont usées ou endommagées et sont illisibles, commander d'autres étiquettes de remplacement auprès de votre revendeur local.



<p><b>A</b></p>	<p>Décal. danger du conduit</p>	
-----------------	---------------------------------	---

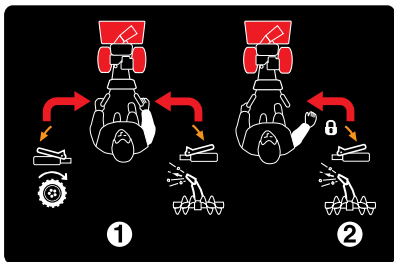


## Tests du système de sécurité

### Déterminer quel test utiliser

**Modèles avec commande Free Hand™ (main libre) :** Une fois que la commande de traction (à gauche) et la commande de tarière (à droite) sont embrayées, Free Hand permet à l'utilisateur de relâcher la commande de tarière pour que la commande de tarière reste embrayée jusqu'à ce que la commande de traction soit relâchée. Les modèles Free Hand ont la série de pictogramme illustrée dans la Figure 2 sur le tableau de bord.

2



**Modèles sans commande Free Hand :** Sur les unités sans Free Hand, les commandes de tarière et de traction fonctionnent indépendamment et la série de pictogrammes Free Hand est absente du tableau de bord.

Sélectionner le test de système de sécurité le plus approprié pour votre machine.

## Test du système de sécurité (unités sans commande Free Hand)



**AVERTISSEMENT**



### Danger d'amputation

Cette souffleuse à neige est équipée de plusieurs systèmes mécaniques de sécurité conçus pour la sécurité de l'opérateur pendant qu'il utilise cette machine. Vérifier régulièrement le fonctionnement de ces systèmes en utilisant la liste des tests du système de sécurité. Si la machine ne fonctionne pas comme décrit, NE PAS l'utiliser. Contacter votre revendeur agréé pour une maintenance immédiate.

### Test 1 - Commande de tarière/turbine

Alors que le moteur tourne :

- pousser le levier de commande de tarière vers le bas (la tarière/turbine devrait tourner)
- Relâcher le levier de commande de tarière. (La tarière/turbine devrait s'arrêter dans les 5 secondes).

### Test 2 - Commande d'entraînement de traction

Pendant que le moteur tourne et que la commande de vitesse est enclenchée sur la première :

- Pousser le levier de commande d'entraînement de traction vers le bas. (l'unité devrait se déplacer vers l'avant).
- Relâcher le levier de commande de traction (l'unité devrait s'arrêter).

## Test du système de sécurité (machines sans commande Free Hand)



### AVERTISSEMENT



#### Danger d'amputation

Cette souffleuse à neige est équipée de plusieurs systèmes mécaniques de sécurité conçus pour la sécurité de l'opérateur pendant qu'il utilise cette machine. Vérifier régulièrement le fonctionnement de ces systèmes en utilisant la liste des tests du système de sécurité. Si la machine ne fonctionne pas comme décrit, NE PAS l'utiliser. Contacter votre revendeur agréé pour une maintenance immédiate.

#### Test 1 - Commande de tarière/turbine

Alors que le moteur tourne :

- pousser le levier de commande de tarière vers le bas (la tarière/turbine devrait tourner)
- Relâcher le levier de commande de tarière. (La tarière/turbine devrait s'arrêter dans les 5 secondes).

#### Test 2 - Commande d'entraînement de traction

Pendant que le moteur tourne et que la commande de vitesse est enclenchée sur la première :

- Pousser le levier de commande d'entraînement de traction vers le bas. (l'unité devrait se déplacer vers l'avant).
- Relâcher le levier de commande de traction (l'unité devrait s'arrêter).

#### Test 3 - Commande Free Hand

Alors que le moteur tourne :

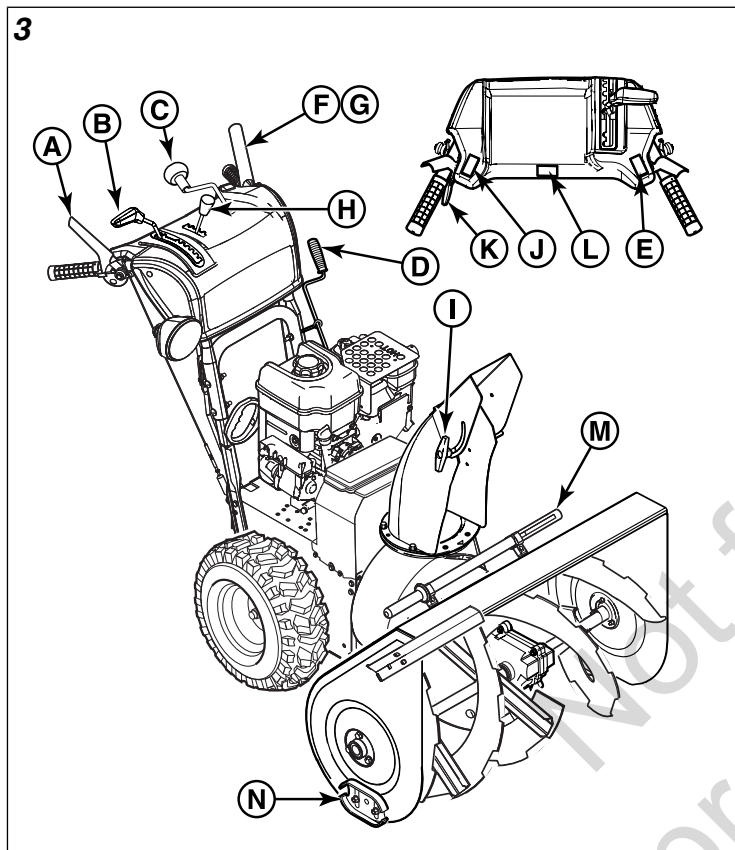
- Embrayer les leviers de commande de tarière et de traction, puis relâcher le levier de commande de tarière (les deux commandes doivent rester embrayées).
- Puis relâcher le levier de commande de traction (les deux commandes doivent être relâchées).

# Fonctions et commande

## Caractéristiques et commandes du moteur

Pour les caractéristiques et commandes du moteur, se référer au manuel d'utilisation du moteur.

## Caractéristiques et commandes des souffleuses à neige



Emplacement	Pictogramme	Description
A		<b>Levier de commande de la tarière</b> - Utiliser pour embrayer et débrayer la tarière et l'impulseur. Pour embrayer, pousser vers le bas. Pour débrayer, relâcher.
B		<b>Levier de changement de vitesse</b> - Permet à l'utilisateur de sélectionner les vitesses avant et arrière. Pour changer de vitesse, déplacer le levier à une position désirée. <b>REMARQUE : Ne pas déplacer le levier de sélection de vitesse pendant que la commande de traction est embrayée. Ceci peut résulter à un dommage grave au système d'entraînement.</b>
C		<b>Bielle de rotation de goulotte - Sur tableau de bord (si la machine en est équipée)</b> - Utilisée pour faire pivoter la goulotte d'éjection vers la gauche ou la droite.
D		<b>Bielle de rotation de goulotte - Bielle gauche (si la machine en est équipée)</b> - Utilisée pour faire pivoter la goulotte d'éjection vers la gauche ou la droite.

Emplacement	Pictogramme	Description
E		<b>Commutateur de rotation de goulotte - Électrique (si la machine en est équipée)</b> - Utilisée pour faire pivoter la goulotte d'éjection vers la gauche ou la droite.
F		<b>Commande Free Hand™ (si la machine en est équipée)</b> - Une fois que la commande de traction (à gauche) et que la commande de tarière (à droite) sont embrayées, permet à l'utilisateur de relâcher le levier de commande de tarière pour utiliser d'autres commandes.
G		<b>Levier de commande de traction</b> - Utilisé pour propulser la souffleuse à neige en marche avant ou arrière. Appuyer pour embrayer, relâcher pour débrayer. Voir également « Commande Free-Hand ».
H		<b>Commande de déflecteur - Sur tableau de bord (si la machine en est équipée)</b> - Utilisé pour contrôler l'angle du déflecteur de goulotte (en haut ou en bas).
I		<b>Commande de déflecteur - Manuelle (si la machine en est équipée)</b> - Utilisé pour contrôler l'angle du déflecteur de goulotte (en haut ou en bas).
J		<b>Commande de déflecteur - Électrique (si la machine en est équipée)</b> - Utilisé pour contrôler l'angle du déflecteur de goulotte (en haut ou en bas).
K		<b>Commande de traction Easy Turn™ (si la machine en est équipée)</b> - Quand elle est embrayée, permet à l'utilisateur de débrayer une roue tractrice tout en permettant à l'autre roue de continuer à rouler pour faciliter les virages.
L		<b>Commutateur de poignées chauffantes (si la machine en est équipée)</b> - Utilisé pour réchauffer les poignées (fort, arrêt, faible).
M	-	<b>Outil de nettoyage</b> - Utilisez pour enlever la neige et débris du conduit d'éjection et du boîtier de tarière.
N	-	<b>Patins</b> - Utilisés pour régler le dégagement au sol du carter de tarière.

# Fontionnement

## Avant d'utiliser la souffleuse à neige



### AVERTISSEMENT

Lire le manuel de l'utilisateur avant d'utiliser la machine. Cette machine peut être dangereuse si utilisée d'une manière négligente.

- N'utilisez jamais la souffleuse à neige sans que les protections, caches et éléments protecteurs soient en place.
  - Arrêter le moteur lorsque vous éloigner de la machine.
  - Retirer la clé avant de débloquer le boîtier d'impulseur ou le conduit d'éjection et avant de faire de la réparation ou des ajustements.
  - Retirer la clé quand vous quittez la machine.
  - Pour réduire le risque d'incendie, garder la machine propre et libre de tout déversement de carburant, d'huile et de débris.
- 
- Sur les modèles à démarrage électrique, déconnecter la rallonge avant utilisation.
  - S'assurer de vérifier le niveau d'huile du moteur avant de démarrer le moteur. Consulter le manuel d'utilisation du moteur pour les recommandations concernant les huiles.

## Utilisation de la souffleuse à neige



### DANGER

#### Danger d'amputation

Le conduit d'éjection contient un impulseur rotatif pour éjecter la neige. Les doigts peuvent facilement être prises dans l'impulseur. Ne débouchez ou ne dégagez jamais le conduit d'éjection avec vos mains. Utilisez toujours un outil de nettoyage.

La faillite d'observer ces instructions de sécurité résultera à une amputation traumatique ou dilacération grave.

Le contact des mains avec la turbine rotative dans la goulotte d'éjection est la cause la plus courante de blessure associée aux souffleuses à neige. N'utilisez jamais vos mains pour curer la goulotte d'éjection.

Pour déboucher en toute sécurité une goulotte d'éjection obstruée, suivre ces instructions :

1. Arrêter le moteur.
2. Attendre 10 secondes pour s'assurer que les lames de la turbine se sont arrêtées de tourner.
3. Utilisez toujours un outil de nettoyage, non vos mains.



### DANGER

#### Danger de fumées toxiques

Les moteurs émettent du monoxyde de carbone, un gaz toxique sans odeur ni couleur.

Respirer du monoxyde de carbone peut provoquer des nausées, des évanouissements, voire même la mort.

- Démarrer et faire tourner le moteur à l'extérieur.
- Ne pas démarrer ou faire tourner le moteur dans un endroit clos, même si les portes ou les fenêtres sont ouvertes.



### AVERTISSEMENT

#### Danger de projection d'objets

Cette machine est capable de projeter des objets pouvant blesser des spectateurs ou endommager des bâtiments.

S'assurer que la zone où vous opérez soit dégagée de tout spectateur. Ne jamais diriger l'éjection vers des personnes, des bâtiments ou des voitures.

1. Démarrer le moteur. Veuillez consulter le manuel d'utilisation du moteur pour des informations sur le moteur.
  2. Faire tourner la bielle de rotation de goulotte (C ou D, Figure 3) ou utiliser le commutateur de rotation de goulotte (E) pour régler la goulotte d'éjection dans la bonne direction.
  3. **Modèles avec réglage de déflecteur manuel :** Desserrer l'écrou à oreilles maintenant le déflecteur de goulotte (I). Relever le déflecteur pour rejeter plus loin la neige. Placer le déflecteur dans la direction voulue et resserrer l'écrou à oreilles.  
**Modèle avec levier de commande de déflecteur sur tableau de bord :** Utiliser le levier de commande de déflecteur (H) pour déplacer le déflecteur vers le haut ou le bas. Relever le déflecteur pour rejeter plus loin la neige.  
**Modèles avec commande de déflecteur électrique :** Utiliser le levier de commande de déflecteur (J) pour déplacer le déflecteur vers le haut ou le bas. Relever le déflecteur pour rejeter plus loin la neige.
  4. Utiliser le levier de sélection de vitesse (B) pour choisir la vitesse d'entraînement vers l'avant ou vers l'arrière. Utiliser des vitesses réduites pour débayer de la neige trempée et lourde. Utiliser des vitesses supérieures pour de la neige légère ou pour le transport.
- REMARQUE : Régler toujours la vitesse du moteur sur RAPIDE (plein gaz).*
5. Appuyer à fond sur le levier de commande de tarière (A) pour embrayer la tarière. Relâcher le levier pour arrêter la tarière.

- Appuyer à fond sur le levier de commande de traction/Free-Hand (F/G) pour embrayer l'entraînement de traction et commencer à déplacer la souffleuse à neige. Pour arrêter, relâcher le levier.

**REMARQUE :** Toujours relâcher le levier de commande de traction avant de changer de vitesse.

- Sur les modèles équipés de commandes Free Hand, quand on appuie sur les deux leviers de commande de tarière (A) et de traction (F), la commande Free Hand est activée. Ce qui vous permet de relâcher le levier de commande de tarière (A) pour utiliser d'autres commandes. La tarière continuera à tourner jusqu'à ce que le levier de commande de traction ou de commande Free-Hand soit relâché.
- Si on le désire, utiliser le commutateur de poignées chauffantes (L) pour allumer les poignées chauffantes.

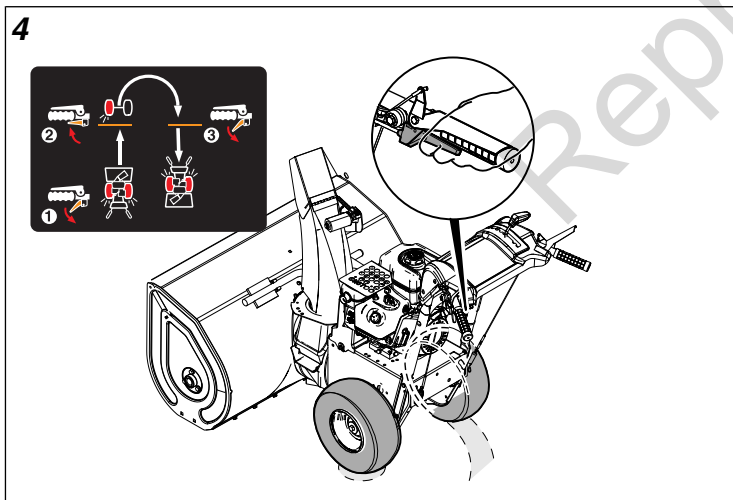
## Arrêter la souffleuse à neige

- Relâcher le levier de commande de tarière (A, Figure 3).
- Relâcher le levier de commande de traction (F).
- Arrêter le moteur. Veuillez consulter le manuel d'utilisation du moteur pour des informations sur le moteur.

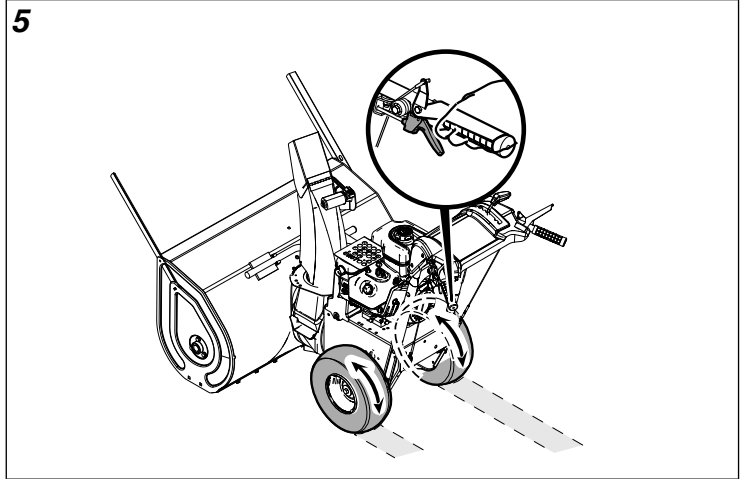
## Commande de traction Easy Turn™ (si l'unité en est équipée)

Pour tourner plus facilement quand on utilise la souffleuse à neige, serrer le levier de commande de traction Easy Turn (Figure 4).

**REMARQUE :** La commande Easy Turn sera plus difficile à activer avec une charge lourde. Activer le levier avant d'entamer un virage.



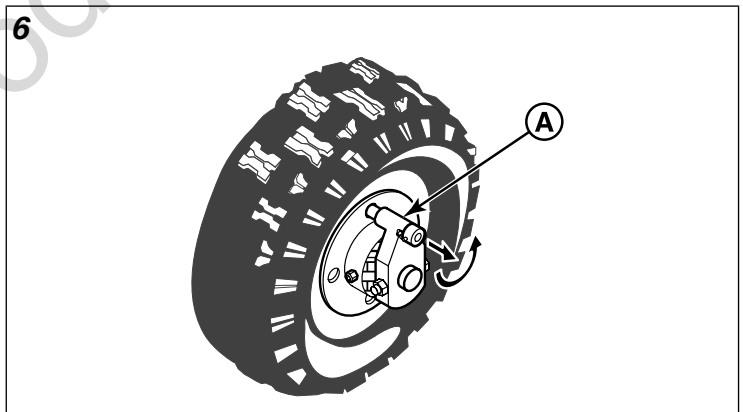
Embrayer le levier de commande Easy Turn fait débrayer une des roues tractrices mais permet à l'autre roue de continuer à fonctionner. Relâcher le levier de commande Easy Turn embraye automatiquement les deux roues d'entraînement en pleine traction (Figure 5).



## Débrayage des roues - Goupille de verrouillage (si la machine en est équipée)

Certains modèles sont équipés d'un débrayage de roue motrice vous permettant de débrayer une des roues motrices pour déplacer plus facilement la machine le moteur coupé.

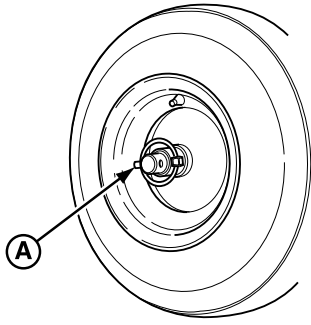
**Modèles avec goupille de verrouillage de traction :** Les roues équipées d'une goupille de verrouillage de traction (A, Figure 6) peuvent être complètement débrayées en tirant la poignée vers l'extérieur et en l'éloignant de la roue jusqu'à ce que la goupille de verrouillage soit désengagée de la roue. Tourner ensuite la poignée pour que la goupille ne se réengage pas dans la roue. Inverser cette procédure pour embrayer la roue d'entraînement.



## Dégagement des roues - Goupilles de verrouillage (si la machine en est équipée)

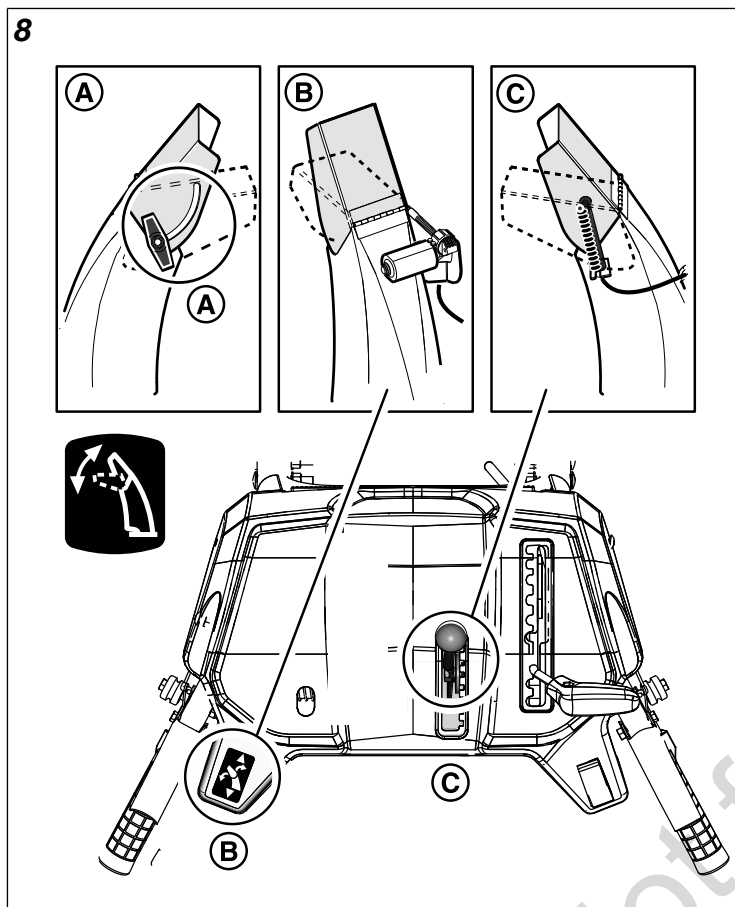
Les roues équipées de goupille de verrouillage de traction (A, Figure 7) peuvent être complètement débrayées en retirant la goupille et en l'installant dans le trou extérieur de l'essieu. Inverser cette procédure pour embrayer la roue d'entraînement.

7



Not for  
Reproduction

## Réglage du déflecteur



### A. Commande de déflecteur manuelle (si l'unité en est équipée)

Desserrer le bouton du déflecteur (A, Figure 8), régler le réflecteur sur la position voulue et resserrer ensuite le bouton pour maintenir la position. Relever le déflecteur pour rejeter plus loin la neige.

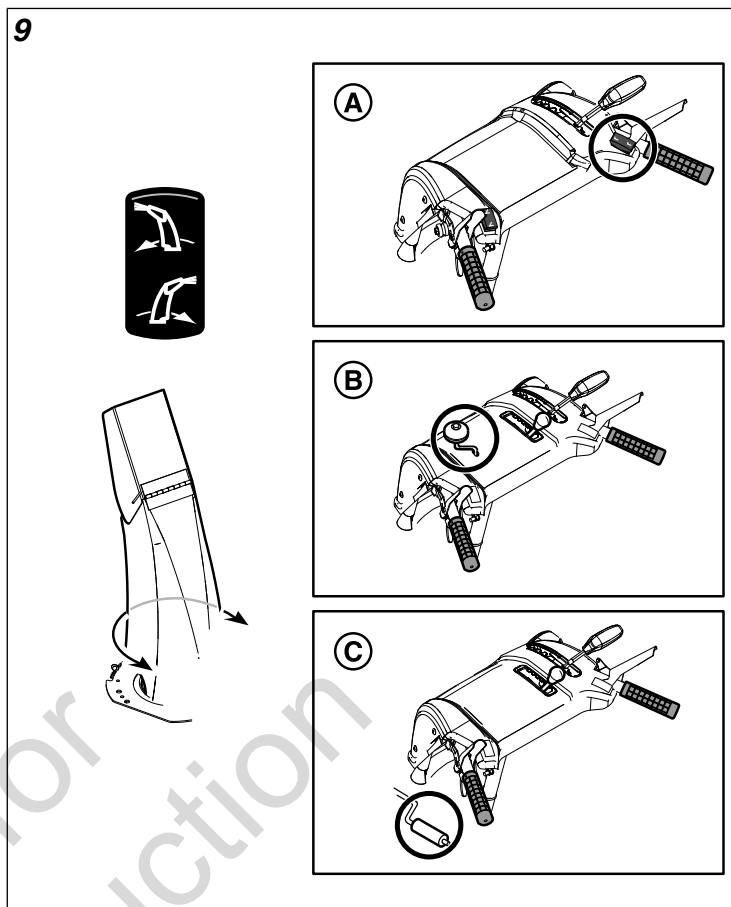
### B. Commande de déflecteur électrique (si l'unité en est équipée)

Pendant que le moteur tourne, appuyer sur l'un ou l'autre des côtés du commutateur de commande du déflecteur (B, Figure 8) pour déplacer le déflecteur vers le haut ou vers le bas. Relever le déflecteur pour rejeter plus loin la neige.

### C. Commande de déflecteur sur tableau de bord (si l'unité en est équipée)

Déplacer le levier de commande du déflecteur (C, Figure 8) vers l'avant ou l'arrière pour relever ou abaisser le déflecteur. Relever le déflecteur pour rejeter plus loin la neige.

## Réglage de rotation de goulotte



### A. Commande électrique de rotation de goulotte (si la machine en est équipée)

Pendant que le moteur tourne, appuyer sur l'un ou l'autre des côtés du commutateur de commande du déflecteur (A, Figure 9) pour faire pivoter la goulotte à droite ou à gauche.

### B. Commande de rotation de goulotte sur tableau de bord (si la machine en est équipée)

Repérer la bielle de la rotation de goulotte sur tableau de bord (B, Figure 9). Faire pivoter la bielle pour faire tourner la goulotte.

### C. Commande de rotation de goulotte avec bielle sur le côté gauche (si la machine en est équipée)

Repérer la bielle de la rotation de goulotte gauche (C, Figure 9) pour faire pivoter la bielle et faire tourner la goulotte.

## Remplissage du réservoir de carburant

Veillez-vous référer au manuel de l'utilisateur du moteur pour des informations concernant le remplissage du réservoir et pour des recommandations sur le carburant.

## Dégagement d'une goulotte d'éjection colmatée



### DANGER

**Le conduit d'éjection contient un impulseur rotatif pour éjecter la neige. Les doigts peuvent facilement être pris dans l'impulseur. Ne débouchez ou ne dégagez jamais le conduit d'éjection avec vos mains. Utilisez toujours un outil de nettoyage.**

**La faillite d'observer ces instructions de sécurité résultera à une amputation traumatique ou dilacération grave.**

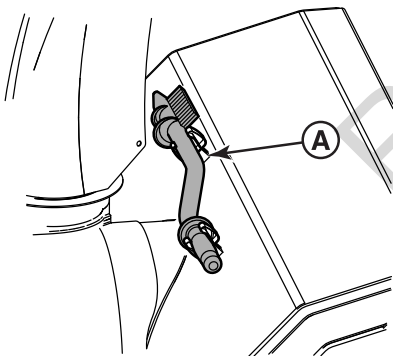
Le contact des mains avec la turbine rotative dans la goulotte d'éjection est la cause la plus courante de blessure associée aux souffleuses à neige. N'utilisez jamais vos mains pour curer la goulotte d'éjection.

**Pour déboucher en toute sécurité une goulotte d'éjection obstruée, suivre ces instructions :**

1. Arrêter le moteur.
2. Attendre 10 secondes pour s'assurer que les lames de la turbine se sont arrêtées de tourner.
3. Utilisez toujours un outil de nettoyage, non vos mains.

Un outil de curage (A, Figure 10) est fourni avec la machine.

10



## Réglage de hauteur des patins



### DANGER

#### Danger d'amputation

Le conduit d'éjection contient un impulseur rotatif pour éjecter la neige. Les doigts peuvent facilement être pris piège et une amputation traumatique ou dilacération grave en résultera. Le contact des mains avec la turbine rotative dans la goulotte d'éjection est la cause la plus courante de blessure associée aux souffleuses à neige.

Couper le moteur, attendre que toutes les pièces mobiles s'arrêtent et retirer la clé de contact avant de procéder à un entretien ou à des réparations.



### AVERTISSEMENT

#### Danger de projection d'objets

Les objets tels que le gravel, les pierres, ou les autres débris, si frappés par l'impulseur, peuvent être projetés avec une force suffisamment pour causer des blessures personnels, des dommages aux propriétés ou du dommage à la souffleuse à neige.

S'assurer de régler les patins à la hauteur correcte pour maintenir un dégagement au sol suffisant pour le type de surface à déblayer.

Cette souffleuse à neige est munie avec deux patins ajustables pour hauteur, attacher à l'extérieur du boîtier de la tarière. Ceux-ci élèvent le devant de la souffleuse à neige.

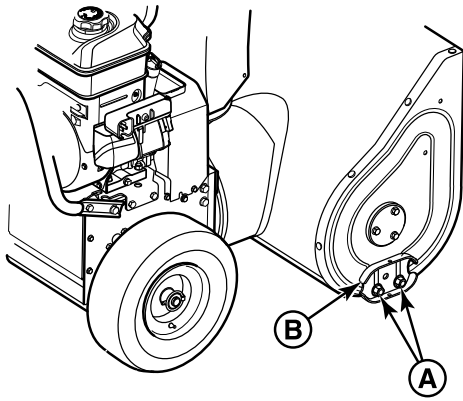
Lors de l'enlèvement de la neige d'une surface dur tels que les voies d'accès ou les trottoirs pavés, ajuster les patins vers le haut pour incliner le devant de la souffleuse à neige vers le bas.

Lors de l'enlèvement de la neige d'un endroit rocheuse et non nivelé, élever le devant de la souffleuse à neige en déplaçant les patins vers le bas. Ceci aidera à empêcher les pierres et les autres débris d'être ramassés et rejetés par les tarières.

1. Déterminer combien de dégagement vous désirez entre la barre de raclage se trouvant en bas du carter de tarière et le sol. Lors du déblayage d'une surface de graviers, un dégagement suffisant du sol est nécessaire pour empêcher la machine de ramasser des pierres.
2. Placer un bloc égal au dégagement de sol voulu sous la barre de raclage.
3. Desserrer les écrous de montage du patin (A, Figure 11) et pousser le patin (B) vers le bas jusqu'à ce qu'il touche le sol. Resserrer les écrous de montage.



11



4. Régler le patin de l'autre côté à la même hauteur.

## Remisage hors saison

Si la machine doit être remise pendant 30 jours ou plus à la fin de la saison, les étapes suivantes sont recommandées pour la préparer pour le remisage. Toujours se référer au manuel de l'utilisateur pour des détails importants si la machine doit être remise pendant une période prolongée.

Veuillez consulter le manuel d'utilisation du moteur pour des informations sur le remisage du moteur.

*REMARQUE : Le carburant doit être retiré ou traité pour empêcher que des dépôts de gomme ne se forment dans le réservoir, le filtre, le boyau et le carburateur pendant le remisage.*



### Danger d'incendie et d'explosion

L'essence est extrêmement inflammable et ses vapeurs sont explosives. Les émanations peuvent se propager jusqu'à une source d'ignition éloignée et peuvent causer une explosion et/ou un incendie.

Manipuler l'essence avec prudence. Ne jamais remiser la machine avec du carburant dans le réservoir, à l'intérieur ou dans d'une enceinte mal aérée ou les émanations pourraient atteindre une flamme nue, une étincelle ou une veilleuse, telle que celle d'une chaudière, un chauffe-eau ou une sècheuse à linge.

- Nettoyer soigneusement la machine.
- Lubrifier tous les points de lubrifications (voir la section *Entretien*).
- S'assurer que tous les écrous, les boulons et les vis sont fixés solidement. Inspecter toutes les pièces amovibles pour dommage, brisure et usure. Remplacer si nécessaire.
- Retoucher toutes les surfaces rouillées ou écaillées; poncer légèrement avant de peindre.
- Couvrir les pièces nues de métal du boîtier de la tarière de la souffleuse à neige, et de l'impulseur avec un antirouille.

- Si possible, remiser votre machine à l'intérieur et la couvrir pour la protéger de la poussière et de la saleté.
- Si la machine doit être remise à l'extérieur, couvrir d'une épaisse toile de bâche.

### Pour retourner la machine pour un entretien :

- Remplir le réservoir de carburant avec du carburant récemment acheté.
- S'assurer de bien serrer toutes les fixations.
- S'assurer que les protections, les éléments protecteurs et les carters soient en place.

# Entretien

## Programme de maintenance

<b>Avant chaque utilisation</b>
<ul style="list-style-type: none"><li>• Contrôler le niveau d'huile moteur</li><li>• Effectuer le test du système de sécurité</li></ul>
<b>Toutes les 8 heures ou chaque jour</b>
<ul style="list-style-type: none"><li>• Contrôler le niveau d'huile moteur</li></ul>
<b>Toutes les 25 heures ou tous les ans</b>
<ul style="list-style-type: none"><li>• Lubrifier la tringlerie du levier de commande</li><li>• Lubrifier l'assemblage de tarière</li><li>• Lubrifier l'engrenage de rotation de goulotte et le déflecteur</li><li>• Lubrifier l'arbre à tête hexagonale du système d'entraînement avec de l'huile de moteur synthétique 5w-30 et les chaînes avec de la graisse</li></ul>
<b>Toutes les 50 heures ou tous les ans</b>
<ul style="list-style-type: none"><li>• Inspecter le silencieux et le pare-étincelles (si la machine en est équipée)</li><li>• Vérification de la pression des pneus</li></ul>

## Entretien du moteur

Pour les fréquences d'entretien du moteur et les procédures, consulter le manuel d'utilisation du moteur.

## Lubrification de la tringlerie du levier de commande

Vérifier le fonctionnement de la commande Free Hand (A, Figure 12). Les commandes devraient fonctionner comme décrit dans la section *Fonctionnement*.



### AVERTISSEMENT

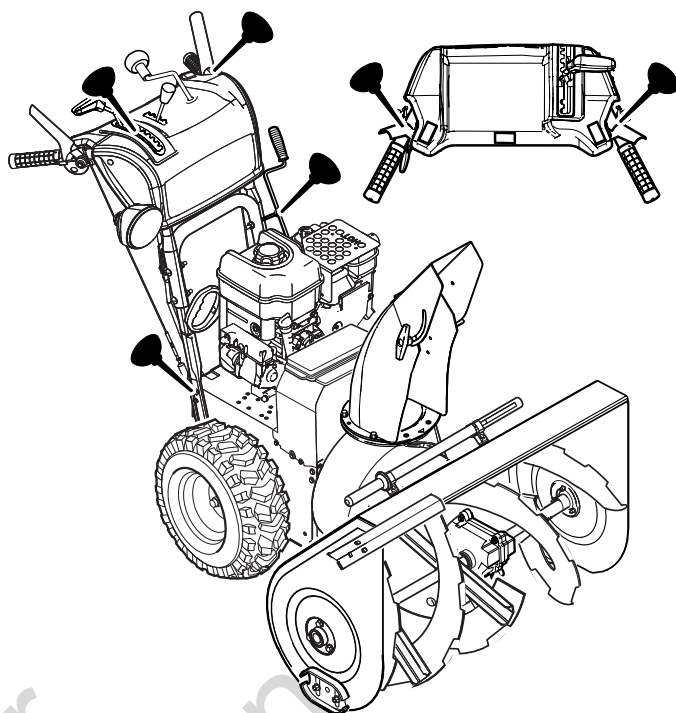


Danger d'amputation

Il est essentiel pour une utilisation de la machine en toute sécurité que les commandes se débrayent quand on les relâche. L'appareil ne devrait pas en aucun cas être utilisé si les commandes ne fonctionnent pas correctement. Voir *Test du système de sécurité* pour confirmer une utilisation correcte.

Lubrifier les points de graissage de la commande Free Hand, de la commande de sélection de vitesse et de la commande Easy Turn/Easy Steer toutes les dix heures d'utilisation ou, le cas échéant, pour assurer une utilisation sûre.

12



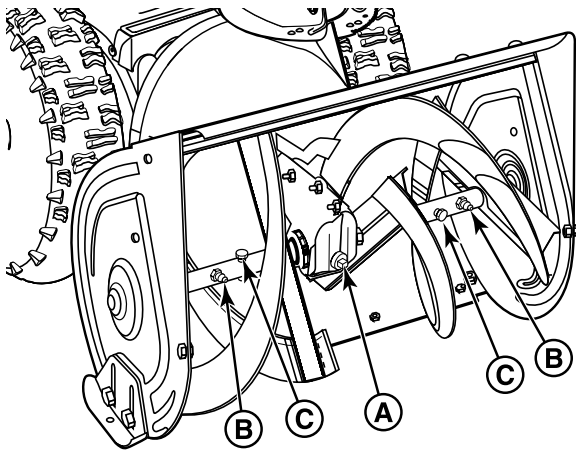
## Lubrification de l'assemblage de tarière

### Lubrifier la boîte à engrenage de tarière

Le boîtier d'engrenage et de tarière est lubrifié à l'usine et ne requiert pas de lubrification additionnel. S'il est nécessaire d'ajouter du lubrifiant, utiliser la couleur de la graisse restante pour déterminer le type de lubrifiant à ajouter. Si la couleur de la graisse est blanche, ajouter de la graisse Lubriplate GR132 ou l'équivalent. Si la couleur de la graisse est marron, ajouter de la graisse au lithium EP1. La capacité en lubrifiant de la boîte d'engrenages est de 92 grammes (3-1/4 onces).

Vérifier une fois par an le niveau de graisse de la boîte d'engrenages de tarière. À l'aide d'une section de câble utilisée comme jauge, retirer le bouchon du filtre (A, Figure 13) et vérifier la présence de graisse dans la boîte d'engrenages. Si de la graisse est visiblement présente, ne pas en ajouter. Si de la graisse n'est pas visiblement présente, ajouter le lubrifiant préconisé.

13



### Lubrifier les accessoires de l'arbre de la tarière

Lubrifier la visserie de l'arbre de tarière à l'aide d'un pistolet graisseur (B, Figure 13) toutes les 25 heures d'utilisation ou une fois par saison. Chaque fois qu'une goupille de cisaillement ou une goupille (C) est remplacée, l'arbre de tarière DOIT être graissé.

Pour le remisage ou pour remplacer les goupilles de cisaillement ou les goupilles (C), les retirer, lubrifier la visserie (B) et faire tourner les tarières plusieurs fois pour bien répartir la graisse. Réinstaller les goupilles de cisaillement ou les goupilles une fois terminé.

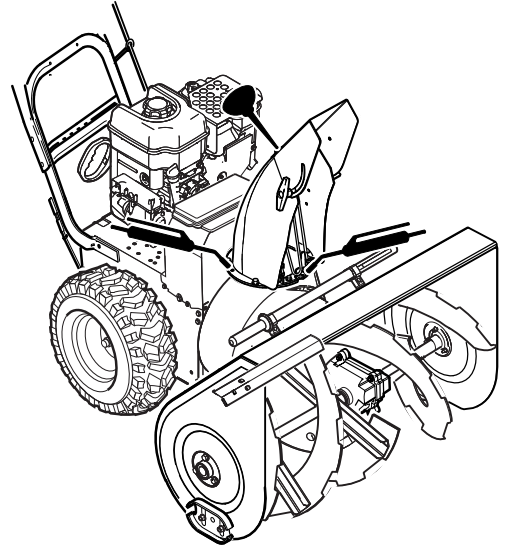
*REMARQUE : Certains modèles ne sont pas équipés de graisseurs et ne sont pas soumis à ces exigences.*

### Lubrification de la goulotte d'éjection et du déflecteur

Lubrifier l'engrenage de rotation de goulotte (Figure 14) avec de la graisse et le mécanisme du déflecteur avec de l'huile de type automobile toutes les 25 heures d'utilisation.

À l'endroit où un bidon d'huile est illustré, lubrifier avec de l'huile de moteur. À l'endroit où un pistolet graisseur est illustré, lubrifier avec de la graisse au lithium.

14



### Lubrification de l'arbre à tête hexagonale et de la chaîne

#### AVIS

Ne jamais laisser la graisse ou l'huile de contacter la roue de friction en caoutchouc ou le disque d'entraînement. Si le disque d'entraînement ou la roue de friction entre en contact avec de la graisse ou de l'huile, cela occasionnera des dégâts au caoutchouc de la roue de friction.

Si de la graisse ou de l'huile entre en contact avec le disque d'entraînement ou la roue de friction, s'assurer de bien nettoyer le disque et la roue avec un solvant à base d'alcool.

1. Mettre le levier de sélection de vitesse en première.
2. Vider le carburant dans un récipient approuvé.



**AVERTISSEMENT**



#### Danger d'incendie et d'explosion

L'essence est extrêmement inflammable et ses vapeurs sont explosives.

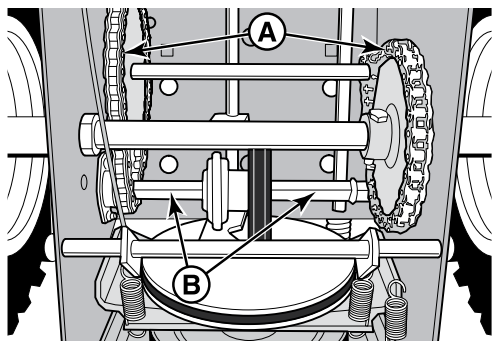
Vidanger l'essence à l'extérieur, loin de tout feu ou de toute autre source d'allumage. Essuyer immédiatement tout déversement. NE PAS laisser de flamme nue, de fumée ou d'allumettes dans les environs.

3. Placer la souffeuse à neige debout sur l'extrémité du carter de tarière.

*REMARQUE : Quand le carter de moteur est rempli d'huile, ne pas laisser la souffeuse à neige reposer sur le carter de tarière pendant une période prolongée.*

4. Enlever le panneau de bas.
5. Lubrifier les chaînes (A, Figure 15) avec de la graisse.

15



6. Essuyer l'arbre à tête hexagonale (B) avec de l'huile synthétique 5W30 pour moteur avant le remisage et à la fin de chaque saison.
7. Installer le panneau inférieur.

### Inspection du câble de traction

Les câbles sont ajustés à l'usine et pas d'ajustements devront être nécessaires. Toutefois, si les câbles sont étirés ou s'ils fléchissent, un réglage sera nécessaire. Consulter votre revendeur pour ce réglage.

### Réglage de la traction de courroie d'entraînement

La traction de la courroie d'entraînement est constamment sous la tension des ressorts et ne nécessite aucun réglage. Si la traction de la courroie d'entraînement patine, voir votre revendeur agréé.

### Réglage de la tige de commande de vitesse

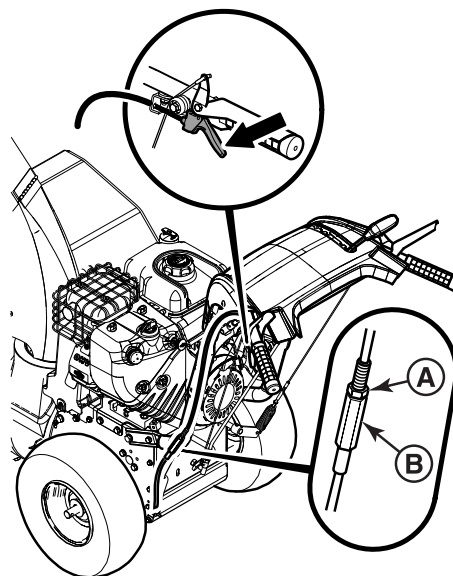
Si la tige de commande de vitesse nécessite un réglage, voir votre distributeur agréé.

### Réglage des câbles Easy Turn™

Si le câble Easy-Turn s'est détendu, les engrenages ne se débrayeront pas si le levier de commande est activé. Ajuster le câble en suivant la procédure suivante.

1. Couper le moteur et retirer la clé.
2. Desserrer le contre-écrou (A, Figure 16).

16



3. Tourner l'écrou de réglage (B) pour allonger ou raccourcir le câble. Le câble doit être resserré jusqu'à ce qu'il n'y ait plus de jeu dans le levier. Cependant, il ne doit pas embrayer la commande Easy-Turn si on n'appuie pas sur le levier de commande.
4. Resserrer le contre-écrou (A).

### Réglage du câble de tarière



**AVERTISSEMENT**



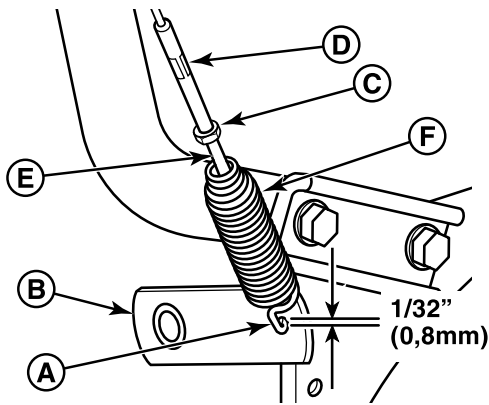
#### Danger d'amputation

Trop serrer le câble de tarière pourrait forcer l'entraînement de tarière à s'embrayer sans que le levier d'entraînement de tarière ne soit relâché.

Suivre la procédure de réglage pour s'assurer que le câble ne soit pas trop serré.

1. Le levier de commande de tarière étant débrayé, le crochet (A, Figure 17) devrait venir effleurer le levier (B) sans le soulever. Il peut y avoir un dégagement maximal de 0,8 mm (1/32").

17



2. Pour ajuster, desserrer l'écrou (C) en maintenant les méplats d'ajustement (D) et en tournant l'écrou. Tourner ensuite les méplats d'ajustement en tenant l'écrou d'ajustement (E). La vis de réglage est une vis Phillips et la tête peut être maintenue ou tournée en insérant un tournevis à travers le ressort (F).
3. Tenir les méplats d'ajustement et serrer l'écrou.
4. Pour s'assurer que la tarière ne s'embraye pas à moins que la commande ne soit complètement enfoncée, veuillez procéder aux *Tests du système de sécurité*. **La tarière doit s'arrêter dans les 5 secondes une fois que la commande est relâchée.**

## Déterminer le système de goupille de cisaillement/goupille que vous avez

Veuillez-vous référer à la liste des pièces illustrées pour déterminer si votre unité exige une goupille de cisaillement ou à la fois une goupille de cisaillement et une entretoise

**DANGER**

### Danger d'amputation

Le conduit d'éjection contient un impulseur rotatif pour éjecter la neige. Les doigts peuvent facilement être pris piège et une amputation traumatique ou dilacération grave en résultera. Le contact des mains avec la turbine rotative dans la goulotte d'éjection est la cause la plus courante de blessure associée aux souffleuses à neige.

Couper le moteur, attendre que toutes les pièces mobiles s'arrêtent et retirer la clé de contact avant de procéder à un entretien ou à des réparations.

## Remplacement de goupille de cisaillement

Les tarières sont attachées à l'arbre de tarière à l'aide de goupilles spéciales conçues pour se briser si un objet venait à se loger dans le carter de tarière. Utiliser uniquement des goupilles de cisaillement d'origine ou équivalentes.

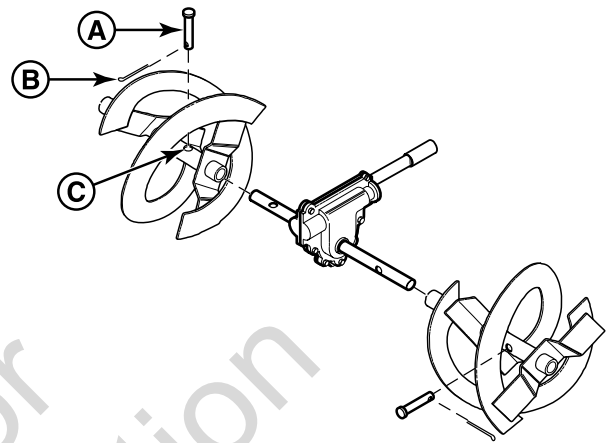
1. Arrêter le moteur et attendre que toutes les parties mobiles s'arrêtent.

2. Retirer la goupille de cisaillement existante.
3. Lubrifier les points de graissage de la tarière et faire pivoter la tarière pour lubrifier l'arbre de tarière.

*REMARQUE : Certains modèles ne sont pas équipés de graisseurs et ne nécessitent pas cette vérification.*

4. Aligner les trous de goupille de cisaillement. Installer la nouvelle goupille de cisaillement (A, Figure 18) en la faisant passer à travers l'arbre de tarière (C). Attacher à l'aide d'une goupille fendue (B).

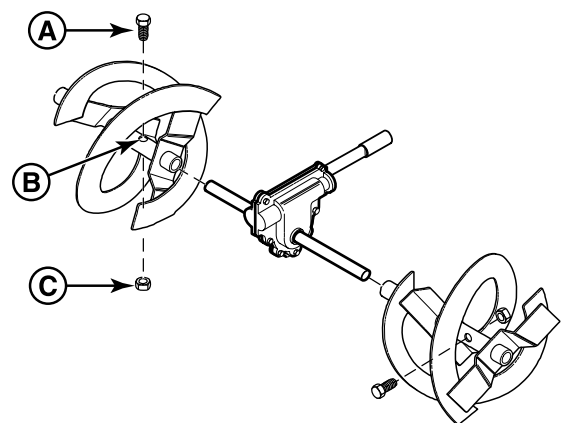
18



## Remplacement de goupille de cisaillement

1. Arrêter le moteur et attendre que toutes les parties mobiles s'arrêtent.
2. Retirer la goupille de cisaillement existante.
3. Lubrifier les points de graissage de tarière. Faire pivoter la tarière pour lubrifier l'arbre de tarière.
4. Aligner les trous des écrous. Installer la nouvelle goupille de cisaillement (A, Figure 19) en la faisant passer à travers l'arbre de tarière (B). Attacher à l'aide du contre-écrou (C).

19

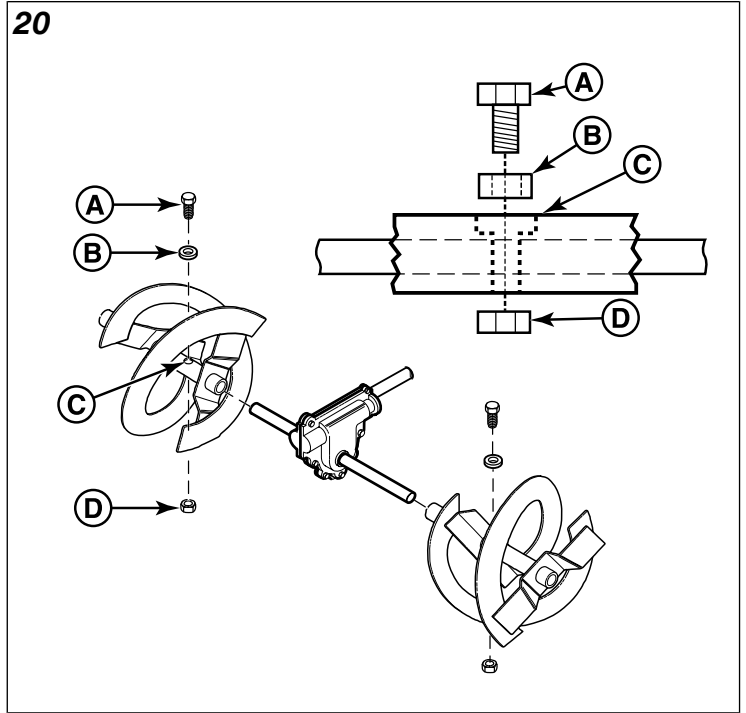


## Remplacement du boulon de cisaillement et de la douille d'écartement

Les tarières sont attachées à l'arbre de tarière à l'aide de goupilles spéciales conçues pour se briser si un objet venait à se loger dans le carter de tarière. Utiliser uniquement des goupilles de cisaillement d'origine ou équivalentes.

1. Arrêter le moteur et attendre que toutes les parties mobiles s'arrêtent.
2. Retirer la goupille de cisaillement existante.
3. Lubrifier les points de graissage de tarière. Faire pivoter la tarière pour lubrifier l'arbre de tarière.
4. Aligner le boulon et les trous de la douille d'écartement. Installer le nouveau boulon de cisaillement (A, Figure 20), la douille d'écartement (B), à travers l'arbre de tarière (C). Attacher à l'aide du contre-écrou (D).

20



## Contrôle de la Pression Pneumatique

La pression des pneus doit être vérifiée régulièrement. La pression de pneus recommandée diffère selon le fabricant de pneus. Une bonne règle empirique est de gonfler le pneu jusqu'au « gonflage maximal » estampillé sur le flanc du pneu mais sans aller au-delà.

# Dépannage

## Tableau de dépannage

Procéder à l'inspection ou aux réparations comme indiqué dans le Tableau de dépannage.

Problème	Vérifier que	Solution
La tarière s'arrête dans les 5 secondes suivant le relâchement du levier de commande droit.	La commande Free Hand (si la machine en est équipée) est ACTIVE.	Relâcher à la fois la commande de tarière et la commande Free Hand (si la machine en est équipée) pour arrêter la tarière.
	Courroie de transmission de la vis déréglée.	Consulter le distributeur homologué.
	Rouleau de guidage de la courroie de transmission de la vis déréglé.	Consulter le distributeur homologué.
La goulotte d'éjection ou le déflecteur ne fonctionne pas (commande électrique).	Panne électrique.	Consulter le distributeur homologué.
La goulotte d'éjection ou le déflecteur ne fonctionne pas (commande à distance-manuelle).	La goulotte d'éjection ou le déflecteur sont déréglés ou nécessitent d'être lubrifiés.	Régler et/ou lubrifier la tringlerie de commande.
La souffleuse à neige ne réussit pas à se déplacer à faibles vitesses.	La commande de traction est déréglée.	Consulter le distributeur homologué.
Le moteur ne réussit pas à démarrer.	La clé est sur la position OFF (ARRÊT).	Tourner la clé sur la position ON (MARCHE).
	Impossibilité de démarrer au starter un moteur froid.	Appuyer sur le bouton d'amorceur à deux reprises et redémarrer.
	La soupape d'arrêt de carburant, si la machine en est équipée, est sur la position CLOSED (FERMÉ).	Tourner la soupape sur la position OUVERT.
	Panne de carburant.	Remplir le réservoir de carburant.
	Starter sur ARRÊT - moteur froid.	Tourner le starter sur MARCHE, régler la manette de gaz sur RAPIDE.
	Moteur noyé.	Amener le starter sur la position OPEN/RUN (OUVERT/MARCHE), amener la manette des gaz sur la position FAST (RAPIDE) et lancer le moteur jusqu'à ce qu'il démarre.
Moteur démarre difficilement ou ne fonctionne pas bien.	Pas d'étincelle.	Consulter le distributeur homologué.
	Eau dans le carburant ou carburant usagé.	Vider le réservoir. (Se débarrasser du carburant dans un dépôt de déchets dangereux). Remplir avec du carburant frais.
	Bougies mal écartées ou mal vissées.	Consulter le distributeur homologué.
Vibrations excessives.	La calotte d'aération est bloquée.	Dégager les orifices de ventilation.
	Pièces desserrées ou turbine endommagée.	Arrêter immédiatement le moteur. Serrer toute la boulonnerie. Si les vibrations continuent, faites réviser la machine par un revendeur agréé.
La souffleuse à neige ne s'arrête pas quand le levier de commande de traction est relâché.	La commande de traction est déréglée.	Consulter le distributeur homologué.
La barre-grattoir ne nettoie pas les surfaces en dur.	Patins et barre de raclage mal réglés.	Lever ou baisser les patins et la barre de raclage.
La machine ne peut pas se propulser d'elle-même.	Courroie d'entraînement lâche ou bien endommagée.	Changer la courroie. Consulter le distributeur homologué.
	Mauvais réglage du câble d'entraînement de traction.	Consulter le distributeur homologué.
	Disque de friction usé ou endommagé.	Remplacer le disque de friction. Consulter un concessionnaire agréé.

Problème	Vérifier que	Solution
La machine refuse d'éjecter la neige.	Courroie d'entraînement de tarière lâche ou bien endommagée.	Consulter le distributeur homologué.
	Le câble de contrôle de tarière n'est pas réglé correctement.	Régler le câble de commande de tarière. Se reporter à la section <i>Entretien</i> de ce manuel.
	Goupille de cisaillement ou boulon de cisaillement cassé	Remplacer la goupille de cisaillement ou le boulon. Consulter la section <i>Entretien</i> de ce manuel ou consulter un revendeur agréé.
	Éjecteur obstrué.	Arrêter immédiatement le moteur. Toujours utiliser un outil de nettoyage pour déboucher une goulotte d'éjection obstruée, et non les mains. Nettoyer la goulotte d'éjection et l'intérieur du carter de tarière. Consulter <i>Avertissement concernant la goulotte d'éjection</i> dans la section <i>Sécurité de l'opérateur</i> .
	Objet étranger logé dans la tarière.	Arrêter immédiatement le moteur. Toujours utiliser un outil de nettoyage pour déboucher une goulotte d'éjection obstruée, et non les mains. Retirer l'objet de la tarière. Se reporter à <b>AVERTISSEMENTS</b> dans la section <i>Sécurité de l'utilisateur</i> .

Not for  
Reproduction



Not for  
Reproduction

Not for  
Reproduction

Not for  
Reproduction

Not for  
Reproduction

## Free Manuals Download Website

<http://myh66.com>

<http://usermanuals.us>

<http://www.somanuals.com>

<http://www.4manuals.cc>

<http://www.manual-lib.com>

<http://www.404manual.com>

<http://www.luxmanual.com>

<http://aubethermostatmanual.com>

Golf course search by state

<http://golfingnear.com>

Email search by domain

<http://emailbydomain.com>

Auto manuals search

<http://auto.somanuals.com>

TV manuals search

<http://tv.somanuals.com>