



**2-Cycle Snow
Models 084100, 084200, 084300**

- (GB) *Operating & Maintenance Instructions***
- (E) *Instrucciones de Mantenimiento & Operación***
- (F) *Instructions d'utilisation et de maintenance***

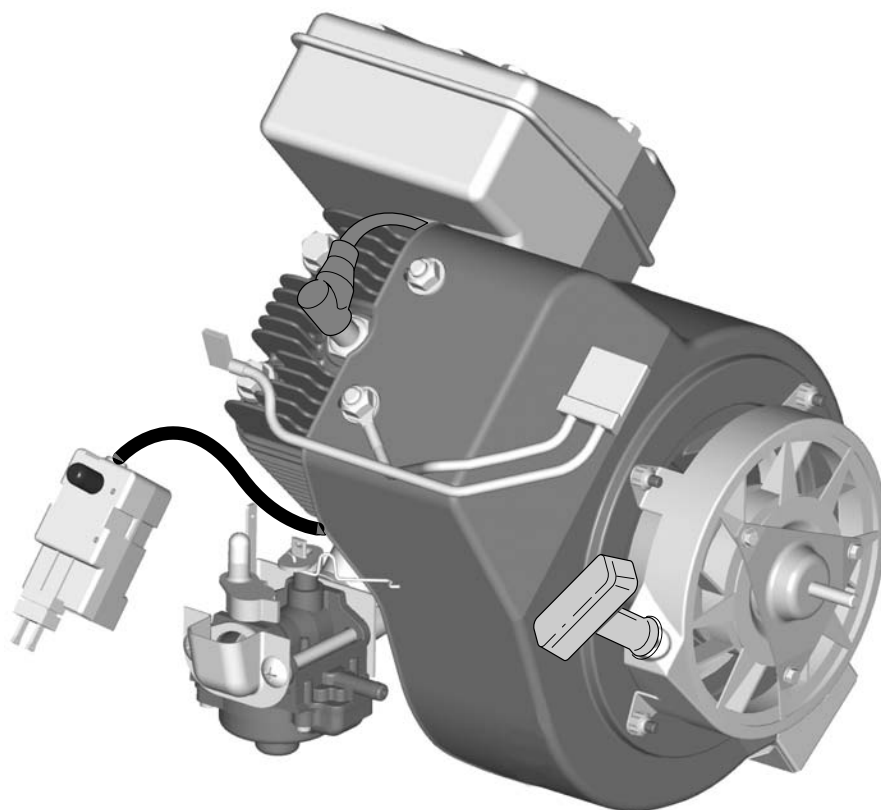
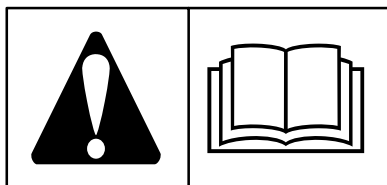


Fig. 1

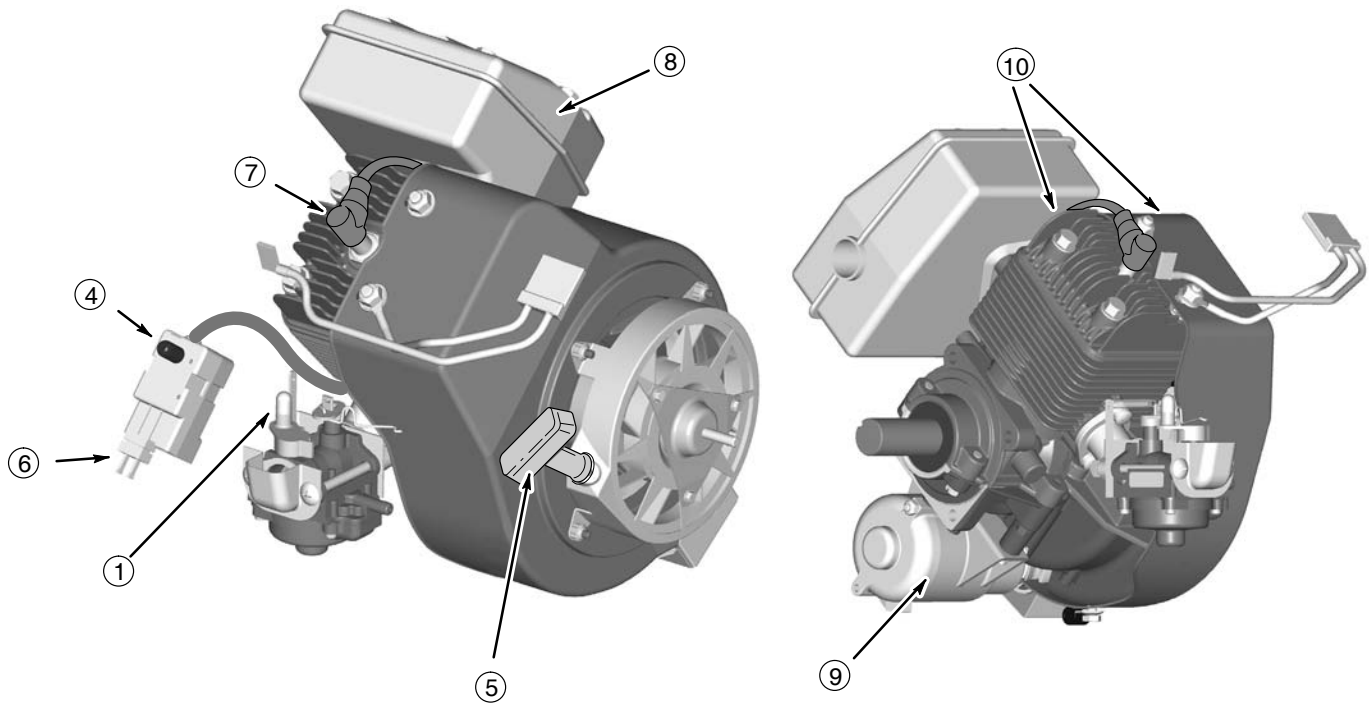
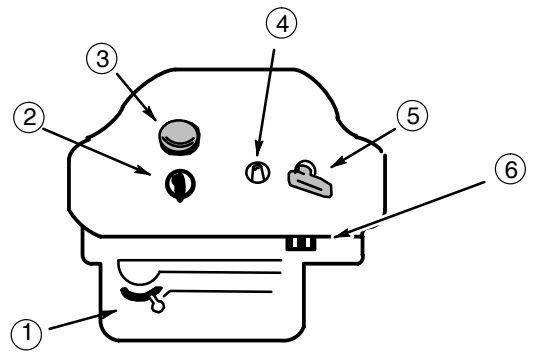


Fig. 2

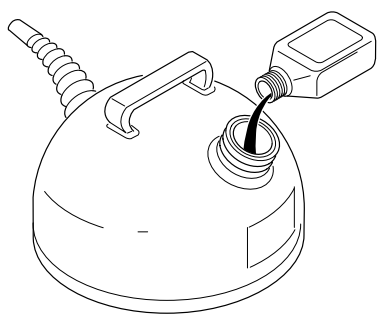
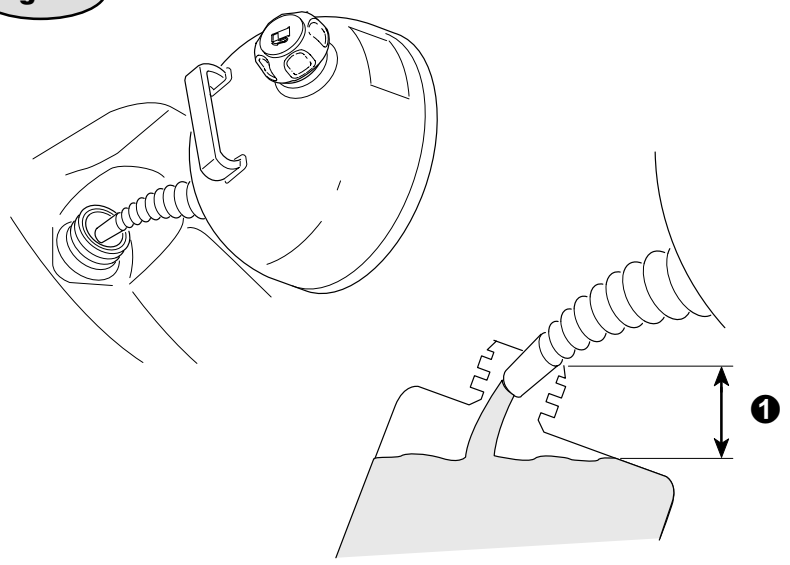


Fig. 3



Note: (This note applies only to engines used in the U.S.A.) Maintenance, replacement or repair of the emission control devices and systems may be performed by any nonroad engine repair establishment or individual. However, to obtain no charge repairs under the terms and provisions of the Briggs & Stratton warranty statement, any service or emission control part repair or replacement must be performed by a factory authorized dealer.



Figures (Example: Fig. 1) are located on the inside front and back pages of this manual.

CONTROLS & ENGINE FEATURES

Fig. 1

- ① Choke adjustment lever
 - ② Key switch
 - ③ Primer button
 - ④ Electric start button, if equipped
 - ⑤ Handle for rope starter
 - ⑥ Electrical cord connection for electric starter, if equipped
 - ⑦ Spark plug
 - ⑧ Muffler
 - ⑨ Electric starter
 - ⑩ Engine Model / Type / Code number (stamped on engine body)
- Record your engine Model, Type and Code numbers here for future use.

Record your date of purchase here for future use.

SPECIFICATIONS

Bore	63.5 mm (2.50 in.)
Stroke	44.4 mm (1.75 in.)
Displacement	141 cc (8.6 cu. in.)
Spark plug gap	0.75 mm (0.03 in.)
Armature air gap	0.25 mm (0.010 in.)
Gasoline / Oil Mix	Unleaded regular 87 octane mixed 50:1 with 2 cycle oil

Note: Engine power will decrease 3-1/2% for each 1,000 feet (300 meters) above sea level and 1% for each 10° F (5.6° C) above 77° F (25° C).

WARNING

The engine exhaust from this product contains chemicals known to the State of California to cause cancer, birth defects, or other reproductive harm.

WARNING

Briggs & Stratton does not approve or authorize the use of these engines on All Terrain Vehicles (ATVs), fun/recreational go-karts, motor bikes, aircraft products or vehicles intended for use in competitive events. Use of these engines in such applications could result in property damage, serious injury (including paralysis), or even death.

SAFETY SPECIFICATIONS

Symbols and their meanings which maybe associated with this product.

	Fire		Kickback		Toxic Fumes
	Explosion		Shock		Hot Surface
	Safety Alert		Read Operator's Manual		Moving Parts
	On Off		Choke		Fuel

BEFORE OPERATING ENGINE

- Read entire Operating & Maintenance Instructions AND the instructions for the equipment this engine powers.*
- Failure to follow instructions could result in serious injury or death.

* Briggs & Stratton does not necessarily know what equipment this engine will power. For that reason, you should carefully read and understand the operating instructions for the equipment on which your engine is placed.

THE OPERATING & MAINTENANCE INSTRUCTIONS CONTAIN SAFETY INFORMATION TO

- Make you aware of hazards associated with engines
- Inform you of the risk of injury associated with those hazards, and
- Tell you how to avoid or reduce the risk of injury.

A signal word (DANGER, WARNING, or CAUTION) is used with the alert symbol to indicate the likelihood and the potential severity of injury. In addition, a hazard symbol may be used to represent the type of hazard.

DANGER indicates a hazard which, if not avoided, **will result in death or serious injury.**

WARNING indicates a hazard which, if not avoided, **could result in death or serious injury.**

CAUTION indicates a hazard which, if not avoided, **might result in minor or moderate injury.**

CAUTION, when used **without** the alert symbol, indicates a situation that **could result in damage to the engine.**

 **WARNING**



Gasoline and its vapors are extremely flammable and explosive.

Fire or explosion can cause severe burns or death.

WHEN ADDING FUEL

- Turn engine OFF and let engine cool at least 2 minutes before removing gas cap.
- Fill fuel tank outdoors or in well-ventilated area.
- Do not overfill fuel tank.
- Keep gasoline away from sparks, open flames, pilot lights, heat, and other ignition sources.
- Check fuel lines, tank, cap, and fittings frequently for cracks or leaks. Replace if necessary.

WHEN STARTING ENGINE

- Make sure spark plug, muffler, and fuel cap are in place.
- Do not crank engine with spark plug removed.
- If fuel spills, wait until it evaporates before starting engine.
- If engine floods, set choke to OPEN/RUN position, place throttle in FAST and crank until engine starts.

WHEN OPERATING EQUIPMENT

- Do not choke carburetor to stop engine.

WHEN TRANSPORTING EQUIPMENT

- Transport with fuel tank EMPTY.

WHEN STORING GASOLINE OR EQUIPMENT WITH FUEL IN TANK

- Store away from furnaces, stoves, water heaters or other appliances that have pilot light or other ignition source because they can ignite gasoline vapors.

 **WARNING**



Starting engine creates sparking.

Sparking can ignite nearby flammable gases.

Explosion and fire could result.

- If there is natural or LP gas leakage in area, do not start engine.
- Do not use pressurized starting fluids because vapors are flammable.

 **WARNING**



The use electrical cords can result in electrical shock if cord is not properly insulated.

- On electric start engines, use the extension cord provided by manufacturer.
- If the electric supply cord is damaged, it must be replaced by the manufacturer or its service agent or a similarly qualified person to avoid a hazard.

 **WARNING**



Engines give off carbon monoxide, an odorless, colorless, poison gas.

Breathing carbon monoxide can cause nausea, fainting or death.

- Start and run engine outdoors.
- Do not start or run engine in enclosed area, even if doors or windows are open.

 **WARNING**



Rapid retraction of starter cord (kickback) will pull hand and arm toward engine faster than you can let go.

Broken bones, fractures, bruises or sprains could result.

- When starting engine, pull cord slowly until resistance is felt, then pull rapidly.
- Direct coupled equipment components such as, but not limited to, blades, impellers, pulleys, sprockets, etc., must be securely attached.

 **WARNING**



Rotating parts can contact or entangle hands, feet, hair, clothing, or accessories.

Traumatic amputation or severe laceration can result.

- Operate equipment with guards in place.
- Keep hands and feet away from rotating parts.
- Tie up long hair and remove jewelry.
- Do not wear loose-fitting clothing, dangling drawstrings or items that could become caught.

 **WARNING**



Running engines produce heat. Engine parts, especially muffler, become extremely hot.

Severe thermal burns can occur on contact.



Combustible debris, such as leaves, grass, brush, etc. can catch fire.

- Allow muffler, engine cylinder and fins to cool before touching.
- Remove accumulated combustibles from muffler area and cylinder area.



WARNING



Unintentional sparking can result in fire or electric shock.



Unintentional start-up can result in entanglement, traumatic amputation, or laceration.



BEFORE PERFORMING ADJUSTMENTS OR REPAIRS

- Disconnect spark plug wire and keep it away from spark plug.

WHEN TESTING FOR SPARK

- Use approved spark plug tester.
- Do not check for spark with spark plug removed.

- Do not overfill fuel tank. Fill tank to approximately 3.8 cm (1-1/2 in.) **1** below top of neck to allow for fuel expansion.
- If fuel spills, wait until it evaporates before starting engine.
- Keep fuel away from sparks, open flames, pilot lights, heat, and other ignition sources.
- Check fuel lines, tank, cap, and fittings frequently for cracks or leaks. Replace if necessary.

STARTING ENGINE

Fig. 4

CAUTION:

The manufacturer of the equipment on which this engine is installed specifies top speed at which the engine will be operated. **DO NOT EXCEED** this speed.

1. Fill engine tank with appropriate fuel.
2. Turn ignition key clockwise to the ON position **1**.
3. Move choke lever to the CHOKE position as labeled on the equipment.
4. Firmly push in the primer bulb 2 times with your thumb **2**, holding the primer in for a second before releasing it each time.
5. Start the engine using one of the following methods:

Electric Starter

Fig. 5



WARNING

Use the extension cord provided by manufacturer. If frayed or damaged, replace cord with new one.

CAUTION:

Use short starting cycles (5 secs. maximum, then wait one minute) to prolong starter life.

1. Plug cord into starter motor first **1**, then into wall receptacle.
2. Depress starter button. **2**
3. **IMPORTANT!** After engine starts, unplug extension cord from starter.
4. Allow engine to warm up several minutes, adjusting choke toward RUN position. Wait until engine runs smoothly before each choke adjustment.

Rewind Starter

Fig. 6

1. Grasp rope handle. Pull slowly until resistance is felt, then pull rapidly to start engine and avoid kickback.
2. Allow engine to warm up several minutes, adjusting choke toward RUN position. Wait until engine runs smoothly before each choke adjustment.

STOPPING ENGINE



WARNING



DO NOT close choke to stop engine. Backfire could occur and cause a fire or explosion.

1. Turn the ignition key to the OFF position.

Preventing Freeze-Up After Use

- Let the engine run for a few minutes to prevent moving parts from freezing. Stop the engine, wait for all moving parts to stop, and remove snow and ice from the snow thrower.
- With the engine off, pull the recoil starter handle several times and operate the electric start button once to prevent the recoil and electric starts from freezing up.

FUEL RECOMMENDATIONS

CAUTION:

Engine shipped from Briggs & Stratton without fuel. Before starting engine, fill with gasoline/oil mixture as specified in this manual.

To prevent engine damage, **DO NOT** use automotive oil, such as SAE 30 or 10W30, or fuel mixed at the wrong gasoline to oil ratio. Engine damage will occur, and will not be covered under warranty.

This engine uses a 50:1 gasoline-to-oil mixture. Use clean, fresh, unleaded gasoline with a minimum of 87 octane to mix with a high-quality two-cycle oil meeting NMMA-TCW3 or ISO GD specifications.

Mixing the Fuel and Oil

Fig. 2

50:1 GASOLINE-TO-OIL RATIO MIXING CHART

Gasoline	Oil
1 US Gallon (3.8 liters)	2.6 ounces (80 ml)
2 US Gallons (7.6 liters)	5.2 ounces (160 ml)

IMPORTANT:

- DO NOT mix gasoline and oil in the engine fuel tank.
 - Oil at room temperature mixes easier and more thoroughly than cold oil.
 - Oil below 32° F (0° C) requires additional mixing.
1. Pour a half US gallon (1.9 liters) of fresh, unleaded gasoline into an approved fuel container.
 2. Add 2-cycle oil to the gasoline according to the chart.
 3. Install the cap on the fuel container.
 4. Shake the container to mix the gasoline and oil thoroughly.
 5. Slowly remove the cap and add the remaining amount of gasoline.

Exhaust Emission Control System: EM (Engine Modifications) This engine is certified to operate on gasoline/oil mixture.


Filling the Fuel Tank

Fig. 3

Fill the fuel tank with a fresh mixture of gasoline and oil mixed at the proper ratio.

- Turn engine OFF and let engine cool at least 2 minutes before removing fuel cap.
- Fill fuel tank outdoors or in well-ventilated area.

MAINTENANCE

	<p>WARNING</p> <p>To prevent accidental starting, remove spark plug wire and ground it before servicing.</p> <p>Do not strike the flywheel with hammer or hard object. If done, the flywheel may shatter during operation.</p> <p>Do not tamper with links or other parts to increase engine speed.</p>
--	--

Regular maintenance improves performance and extends engine life. More frequent service is required when operating in adverse conditions. See any authorized service dealer for correct replacement parts. Other parts may not perform as well, may damage the engine, result in injury, or void your warranty.

Inspect / Change Spark Plug

Fig. 7

Annually or every 50 hours of use inspect the spark plug.

1. Clean the spark plug with a wire brush removing the carbon buildup. Check the condition of the plug for cracking or damage. Replace as necessary.
2. Set the spark plug gap to .030 in. (0.75 mm). ①
3. Install the spark plug finger tight, then torque to 175 in-lbs.

TROUBLESHOOTING

Engine will not start

Out of fuel

- Prime engine
- If engine is cold, ensure choke is set correctly.
- Add fuel

Bad or stale fuel

- Drain the fuel tank and the float bowl of the carburetor. Fill the tank with clean fresh, properly mixed fuel. Call or see an authorized service dealer if you need help.

Engine flooded

- Spark plug maybe fouled.

Fouled spark plug / engine fails to product spark

- Remove spark plug and clean it. Check the spacing on the electrode and set the gap to the correct dimension. See Maintenance Section. If plug is damaged, replace with a new spark plug.
- Ensure the spark plug is installed and wire is connected.

Engine runs rough


Engine smokes excessively (some smoke is normal)

- There maybe slight oil accumulation in the crankcase upon starting. This is normal.
- If excessive smoke or smoke is heavy, ensure choke is in OFF position.
- Fuel is too rich. Drain fuel tank and fill with correct gasoline/oil mixture.

Engine lacks power or back fires

- Check for bad or stale fuel.
- The exhaust system maybe clogged. See an authorized service dealer for assistance.

STORAGE

	<p>WARNING</p> <p>Store in a clean, dry area. DO NOT store near a stove, furnace or water heater which uses a pilot light or any device that can create a spark.</p>
---	---

Engines stored over 30 days need to be protected or drained of fuel to prevent gum from forming in fuel system or on essential carburetor parts.

1. Add a fuel stabilizer/conditioner to the fuel in the fuel tank as directed.
2. Run the engine for 5 minutes to distribute the conditioned fuel through the fuel system.
3. Stop the engine and allow it to cool.
4. Use a hand pump to pump the fuel from the fuel tank into an approved fuel container, or run the engine until it stops.
5. Start the engine and run it until it stops.
6. Choke or prime the engine, start it a third time, and run the engine until it will not start.
7. Slowly pull the recoil starter until you feel resistance due to compression pressure, then stop.
8. Release the starter tension gradually by allowing the rope to go back slowly to prevent engine from reversing due to compression pressure.
9. Dispose of unused fuel properly. Recycle it according to local codes, or use it in your automobile.

SERVICE

Partial List of Engine Parts

Spark plug	801254
Spark tester	19368
Spark plug wrench	89838 -or- 5023

To purchase, or view other products Briggs & Stratton has available, see an Authorized Briggs & Stratton Service Dealer. Use our web site at www.briggsandstratton.com to find a dealer nearest you, or check the "Yellow Pages™".



Walking fingers logo and "Yellow Pages" are registered trademarks in various jurisdictions.

Need Assistance? Go to the website or call, 1-800-233-3723, (U.S.A. and Canada) to hear a menu of pre-recorded messages offering engine maintenance information.

TECHNICAL INFORMATION

Power Ratings

The power ratings for an individual engine model are initially developed by starting with SAE (Society of Automotive Engineers) code J1940 (Small Engine Power & Torque Rating Procedure) (Revision 2002-05). Given both the wide array of products on which our engines are placed, and the variety of environmental issues applicable to operating the equipment, it may be that the engine you have purchased will not develop the rated horsepower when used in a piece of power equipment (actual "on-site" power). This difference is due to a variety of factors including, but not limited to, the following: differences in altitude, temperature, barometric pressure, humidity, fuel, engine lubrication, maximum governed engine speed, individual engine to engine variability, design of the particular piece of power equipment, the manner in which the engine is operated, engine run-in to reduce friction and clean out of combustion chambers, adjustments to the valves and carburetor, and other factors. The power ratings may also be adjusted based on comparisons to other similar engines utilized in similar applications, and will therefore not necessarily match the values derived using the foregoing codes.

**Briggs & Stratton Corporation (B&S),
and the United States Environmental
Protection Agency (U.S. EPA)
Emission Control System Warranty
Statement (Owner's Defect Warranty
Rights and Obligations)**

U.S. EPA and B&S are pleased to explain the Emission Control System Warranty on your small off-road engine (SORE).

In the United States, new non-road, spark-ignition engines certified for model year 1997 and later must meet similar standards set forth by the U.S. EPA. B&S must warrant the emission control system on your engine for the periods of time listed below, provided there has been no abuse, neglect or improper maintenance of your small off-road engine.

Your emission control system includes parts such as the carburetor, air cleaner, ignition system, fuel line, muffler and catalytic converter. Also included may be connectors and other emission related assemblies.

Where a warrantable condition exists, B&S will repair your small off-road engine at no cost to you including diagnosis, parts and labor.

**Briggs & Stratton Emission Control
Defects Warranty Coverage**

Small off-road engines are warranted relative to emission control parts defects for a period of two years, subject to provisions set forth below. If any covered part on your engine is defective, the part will be repaired or replaced by B&S.

Owner's Warranty Responsibilities

As the small off-road engine owner, you are responsible for the performance of the required maintenance listed in your Operating and Maintenance Instructions. B&S recommends that you retain all your receipts covering maintenance on your small off-road engine, but B&S cannot deny warranty solely for the lack of receipts or for your failure to ensure the performance of all scheduled maintenance.

As the small off-road engine owner, you should however be aware that B&S may deny you warranty coverage if your small off-road engine or a part has failed due to abuse, neglect, improper maintenance or unapproved modifications.

You are responsible for presenting your small off-road engine to an Authorized B&S Service Dealer as soon as a problem exists.

The undisputed warranty repairs should be completed in a reasonable amount of time, not to exceed 30 days.

If you have any questions regarding your warranty rights and responsibilities, you should contact a B&S Service Representative at 1-414-259-5262.

The emission warranty is a defects warranty. Defects are judged on normal engine performance. The warranty is not related to an in-use emission test.

**Briggs & Stratton Emission Control
Defects Warranty Provisions**

The following are specific provisions relative to your Emission Control Defects Warranty Coverage. It is in addition to the B&S engine warranty for non-regulated engines found in the Operating and Maintenance Instructions.

1. Warranted Parts

Coverage under this warranty extends only to the parts listed below (the emission control systems parts) to the extent these parts were present on the engine purchased.

a. Fuel Metering System

- Cold start enrichment system (soft choke)
- Carburetor and internal parts
- Fuel Pump

b. Air Induction System

- Air cleaner
- Intake manifold

c. Ignition System

- Spark plug(s)
- Magneto ignition system

d. Catalyst System

- Catalytic converter
- Exhaust manifold
- Air injection system or pulse valve

e. Miscellaneous Items Used in Above Systems

- Vacuum, temperature, position, time sensitive valves and switches
- Connectors and assemblies

2. Length of Coverage

B&S warrants to the initial owner and each subsequent purchaser that the Warranted Parts shall be free from defects in materials and workmanship which caused the failure of the Warranted Parts for a period of two years from the date the engine is delivered to a retail purchaser.

3. No Charge

Repair or replacement of any Warranted Part will be performed at no charge to the owner, including diagnostic labor which leads to the determination that a Warranted Part is defective, if the diagnostic work is performed at an Authorized B&S Service Dealer. For emissions warranty service contact your nearest Authorized B&S Service Dealer as listed in the "Yellow Pages" under "Engines, Gasoline," "Gasoline Engines," "Lawn Mowers," or similar category.

4. Claims and Coverage Exclusions

Warranty claims shall be filed in accordance with the provisions of the B&S Engine Warranty Policy. Warranty coverage shall be excluded for failures of Warranted Parts which are not original B&S parts or because of abuse, neglect or improper maintenance as set forth in the B&S Engine Warranty Policy. B&S is not liable to cover failures of Warranted Parts caused by the use of add-on, non-original, or modified parts.

5. Maintenance

Any Warranted Part which is not scheduled for replacement as required maintenance or which is scheduled only for regular inspection to the effect of "repair or replace as necessary" shall be warranted as to defects for the warranty period. Any Warranted Part which is scheduled for replacement as required maintenance shall be warranted as to defects only for the period of time up to the first scheduled replacement for that part. Any replacement part that is equivalent in performance and durability may be used in the performance of any maintenance or repairs. The owner is responsible for the performance of all required maintenance, as defined in the B&S Operating and Maintenance Instructions.

6. Consequential Coverage

Coverage hereunder shall extend to the failure of any engine components caused by the failure of any Warranted Part still under warranty.

**Engine Emissions
Compliance Label**

Certain Briggs & Stratton engines will be certified to meet the United States Environmental Protection Agency (USEPA) Phase 2 emission standards. For Phase 2 certified engines, the Emissions Compliance Period referred to on the Emissions Compliance label indicates the number of operating hours for which the engine has been shown to meet Federal emission requirements. For engines less than 225 cc displacement, Category C = 125 hours, B = 250 hours and A = 500 hours. For engines of 225 cc or more, Category C = 250 hours, B = 500 hours and A = 1000 hours.

BRIGGS & STRATTON ENGINE OWNER WARRANTY POLICY

Effective July 1, 2004 replaces all undated Warranties and all Warranties dated before July 1, 2004

LIMITED WARRANTY

Briggs & Stratton Corporation will repair or replace, free of charge, any part(s) of the engine that is defective in material or workmanship or both. Transportation charges on parts submitted for repair or replacement under this warranty must be borne by purchaser. This warranty is effective for the time periods and subject to the conditions stated below. For warranty service, find the nearest Authorized Service Dealer in our dealer locator map at www.briggsandstratton.com, or by calling 1-800-233-3723, or as listed in the 'Yellow Pages'™.

THERE IS NO OTHER EXPRESS WARRANTY. IMPLIED WARRANTIES, INCLUDING THOSE OF MERCHANTABILITY AND FITNESS FOR A PARTICULAR PURPOSE, ARE LIMITED TO ONE YEAR FROM PURCHASE, OR TO THE EXTENT PERMITTED BY LAW ANY AND ALL IMPLIED WARRANTIES ARE EXCLUDED. LIABILITY FOR INCIDENTAL OR CONSEQUENTIAL DAMAGES ARE EXCLUDED TO THE EXTENT EXCLUSION IS PERMITTED BY LAW. Some states or countries do not allow limitations on how long an implied warranty lasts, and some states or countries do not allow the exclusion or limitation of incidental or consequential damages, so the above limitation and exclusion may not apply to you. This warranty gives you specific legal rights and you may also have other rights which vary from state to state and country to country.

OUR PRODUCT

Vanguard™	ELS I/C® Industrial Plus™ Intek™ (Sleeve Bore)	Fource™ Intek™ (Kool Bore) Power Built™ OHV Quantum®	Quattro™ Q45™ Sprint™ 2-Cycle Snow	Classic™	Etek™
------------------	---	---	---	-----------------	--------------

WARRANTY PERIOD*

Consumer Use	2 years	2 years	2 years	1 year	1 year
Commercial Use		1 year	90 days	30 days	

* Note the following special warranty periods: 2 years for Classic™ engines in the European Union and Eastern European countries, for all consumer products in the European Union, and for emission control systems on engines certified by EPA and CARB. 5 years for consumer use, 90 days for commercial use of Touch-N-Mow® starter on Quantum® and Intek™ engines. Engines used in competitive racing or on commercial or rental tracks are not warranted.

The warranty period begins on the date of purchase by the first retail consumer or commercial end user, and continues for the period of time stated in the table above. "Consumer use" means personal residential household use by a retail consumer. "Commercial use" means all other uses, including use for commercial, income producing or rental purposes. Once an engine has experienced commercial use, it shall thereafter be considered as a commercial use engine for purposes of this warranty.

NO WARRANTY REGISTRATION IS NECESSARY TO OBTAIN WARRANTY ON BRIGGS & STRATTON PRODUCTS. SAVE YOUR PROOF OF PURCHASE RECEIPT. IF YOU DO NOT PROVIDE PROOF OF THE INITIAL PURCHASE DATE AT THE TIME WARRANTY SERVICE IS REQUESTED, THE MANUFACTURING DATE OF THE PRODUCT WILL BE USED TO DETERMINE THE WARRANTY PERIOD.

ABOUT YOUR ENGINE WARRANTY

Briggs & Stratton welcomes warranty repair and apologizes to you for being inconvenienced. Any Authorized Service Dealer may perform warranty repairs. Most warranty repairs are handled routinely, but sometimes requests for warranty service may not be appropriate. For example, warranty would not apply if engine damage occurred because of misuse, lack of routine maintenance, shipping, handling, warehousing or improper installation. Similarly, warranty is void if the serial number of the engine has been removed or the engine has been altered or modified.

If a customer differs with the decision of the Service Dealer, an investigation will be made to determine whether the warranty applies. Ask the Service Dealer to submit all supporting facts to his Distributor or the Factory for review. If the Distributor or the Factory decides that the claim is justified, the customer will be fully reimbursed for those items that are defective. To avoid misunderstanding which might occur between the customer and the Dealer, listed below are some of the causes of engine failure that the warranty does not cover.

Normal wear:

Engines, like all mechanical devices, need periodic parts service and replacement to perform well. Warranty will not cover repair when normal use has exhausted the life of a part or an engine.

Improper maintenance:

The life of an engine depends upon the conditions under which it operates, and the care it receives. Some applications, such as tillers, pumps and rotary mowers, are very often used in dusty or dirty conditions, which can cause what appears to be premature wear. Such wear, when caused by dirt, dust, spark plug cleaning grit, or other abra-

sive material that has entered the engine because of improper maintenance, is not covered by warranty.

This warranty covers engine related defective material and/or workmanship only, and not replacement or refund of the equipment to which the engine may be mounted. Nor does the warranty extend to repairs required because of:

1. PROBLEMS CAUSED BY PARTS THAT ARE NOT ORIGINAL BRIGGS & STRATTON PARTS.
2. Equipment controls or installations that prevent starting, cause unsatisfactory engine performance, or shorten engine life. (Contact equipment manufacturer.)
3. Leaking carburetors, clogged fuel pipes, sticking valves, or other damage, caused by using contaminated or stale fuel. (Use clean, fresh, lead-free gasoline and Briggs & Stratton Fuel Stabilizer, Part No. 5041.)
4. Parts which are scored or broken because an engine was operated with insufficient or contaminated lubricating oil, or an incorrect grade of lubricating oil (check oil level daily or after every 8 hours of operation. Refill when necessary and change at recommended intervals.) OIL GARD® may not shut down running engine. Engine damage may occur if oil level is not properly maintained. Read Operating & Maintenance Instructions.
5. Repair or adjustment of associated parts or assemblies such as clutches, transmissions, remote controls, etc., which are not manufactured by Briggs & Stratton.
6. Damage or wear to parts caused by dirt, which entered the engine because of improper air cleaner

maintenance, re-assembly, or use of a non-original air cleaner element or cartridge. (At recommended intervals, clean and re-oil the Oil-Foam element or the foam pre-cleaner, and replace the cartridge.) Read Operating & Maintenance Instructions.

7. Parts damaged by over-speeding, or overheating caused by grass, debris, or dirt, which plugs or clogs the cooling fins, or flywheel area, or damage caused by operating the engine in a confined area without sufficient ventilation. (Clean fins on the cylinder, cylinder head and flywheel at recommended intervals.) Read Operating & Maintenance Instructions.
8. Engine or equipment parts broken by excessive vibration caused by a loose engine mounting, loose cutter blades, unbalanced blades or loose or unbalanced impellers, improper attachment of equipment to engine crankshaft, over-speeding or other abuse in operation.
9. A bent or broken crankshaft, caused by striking a solid object with the cutter blade of a rotary lawn mower, or excessive v-belt tightness.
10. Routine tune-up or adjustment of the engine.
11. Engine or engine component failure, i.e., combustion chamber, valves, valve seats, valve guides, or burned starter motor windings, caused by the use of alternate fuels such as, liquified petroleum, natural gas, altered gasolines, etc.

Warranty is available only through service dealers which have been authorized by Briggs & Stratton Corporation. your nearest Authorized Service Dealer is listed in the "Yellow Pages"™ of your telephone directory under "Engines, Gasoline" or "Gasoline Engines," "Lawn Mowers," or similar category.

Nota: (Esta nota se aplica únicamente a los motores usados en los Estados Unidos de América) El mantenimiento, cambio o reparación de los dispositivos y sistemas de control de emisiones pueden ser realizados por cualquier establecimiento o persona que repare motores todo terreno. Sin embargo, para obtener reparaciones sin costo bajo los términos y provisiones de la declaración de garantía de Briggs & Stratton, todo servicio, cambio o reparación de una parte del sistema de control de emisiones debe ser realizado por un distribuidor autorizado por la fábrica.

Figuras (Ejemplo: Fig. 1) están localizadas en el interior de las páginas de adelante y de atrás de este manual.

CONTROLES & CARACTERÍSTICAS DE LOS MOTORES

Fig. 1

- ① Palanca de ajuste del estrangulador
- ② Suiche de llave
- ③ Botón cebador
- ④ Botón de arranque eléctrico, si está equipado
- ⑤ Manija para cuerda de arranque
- ⑥ Conexión cable eléctrico para el arranque eléctrico, si está equipado
- ⑦ Bujía
- ⑧ Mofle
- ⑨ Arranque eléctrico
- ⑩ Motor Modelo / Tipo / Número de Código (estampados en el cuerpo del motor)

Registre los números del **Modelo, Tipo y Código** de su motor aquí para un futuro uso.

Registre aquí su fecha de compra para un futuro uso.

ESPECIFICACIONES

Diámetro Interno	63.5 mm (2.50 pulgadas)
Carrera	44.4 mm (1.75 pulgadas)
Desplazamiento	141 cc (8.6 pulgadas cúbicas)
Entrehierro de la bujía	0.75 mm (0.03 pulgadas)
Entrehierro del inducido	0.25 mm (0.010 pulgadas)
Mezcla de Aceite / Gasolina Regular	Sin Plomo de 87 Octanos mezclado 50:1 con aceite de 2 tiempos

Nota: La potencia del motor disminuirá 3-1/2% por cada 1,000 pies (300 metros) sobre el nivel del mar y un 1% por cada 10° F (5.6° C) por encima de 77° F (25° C).



ADVERTENCIA

La descarga de escape que expele este motor por este producto contiene químicos conocidos para el Estado de California que pueden ocasionar cáncer, defectos de nacimiento u otros daños que pueden ser perjudiciales para la reproducción.



ADVERTENCIA

Briggs & Stratton no aprueba ni autoriza el uso de estos motores en Vehículos Todo Terreno (ATVs), carritos a motor con fines de diversión/recreación, bicicletas motorizadas, productos para la aviación o en vehículos que tengan como fin ser usados en eventos competitivos. El uso de estos motores en tales aplicaciones podría ocasionar daños a la propiedad, lesiones graves (incluyendo parálisis), o incluso la muerte.

ESPECIFICACIONES DE SEGURIDAD

Símbolos y sus significados los cuales pueden estar asociados con este producto.

	Fuego		Contra-golpe		Gases Tóxicos
	Explosión		Descarga Eléctrica		Superficie Caliente
	Aviso de Seguridad		Lea el Manual del Operario		Partes en Movimiento
	On Off		Estrangulador		Combustible

		ANTES DE OPERAR EL MOTOR
<ul style="list-style-type: none"> • Lea completamente las Instrucciones de Mantenimiento & Operación Y las instrucciones para el equipo acoplado a este motor.* • Dejar de seguir las instrucciones podría ocasionar lesiones graves o incluso la muerte. 		

* Briggs & Stratton no conoce necesariamente el equipo que va a acoplar este motor. Por esta razón, usted debe leer cuidadosamente y comprender las instrucciones de operación para el equipo en el cual es colocado su motor.

<p>LAS INSTRUCCIONES DE MANTENIMIENTO & OPERACIÓN CONTIENEN INFORMACION DE SEGURIDAD PARA</p> <ul style="list-style-type: none"> • Hacer que usted tome conciencia de los peligros asociados con los motores • Informarlo a usted del riesgo de las lesiones asociado con aquellos peligros, y • Contarle como evitar o reducir el riesgo de una lesión.
--

Una palabra señalizada (PELIGRO, ADVERTENCIA o PRECAUCION) es usada con el símbolo de aviso para indicar la probabilidad de una lesión y su gravedad potencial. Además, un símbolo de peligro puede ser utilizado para representar el tipo de peligro.

PELIGRO indica un peligro que si no es evitado, **ocasionará la muerte o lesiones graves.**

ADVERTENCIA indica un peligro que si no es evitado, **ocasionaría la muerte o lesiones graves.**

PRECAUCION indica un peligro que si no es evitado, **podría ocasionar lesiones menores o moderadas.**
PRECAUCION, cuando es usado **sin** el símbolo de aviso, indica una situación que **podría ocasionar daños en el motor.**

ADVERTENCIA



La gasolina y sus vapores son extremadamente inflamables y explosivos.



Un incendio o una explosión pueden causar graves quemaduras o la muerte.

CUANDO AÑADA COMBUSTIBLE

- APAGUE el motor y deje que se enfríe por lo menos 2 minutos antes de remover la tapa de gasolina.
- Llene el tanque de combustible en exteriores o en un área bien ventilada.
- No llene excesivamente el tanque de combustible.
- Mantenga la gasolina a distancia de chispas, llamas abiertas, testigos piloto, calor y otras fuentes de encendido.
- Compruebe con frecuencia si existen grietas o fugas en las mangueras de combustible, el tanque, la tapa y en los accesorios. Cámbielos si es necesario.

CUANDO LE DE ARRANQUE AL MOTOR

- Asegúrese que la bujía, el mofle y la tapa de combustible estén en su lugar.
- No haga girar el motor si removió la bujía.
- Si se derramó combustible, espere hasta que se haya evaporado antes de darle arranque al motor.
- Si el motor se inunda, ajuste el estrangulador a la posición OPEN/RUN, coloque el acelerador en la posición FAST y haga girar el motor hasta que arranque.

CUANDO OPERE EL EQUIPO

- No ahogue el carburador para detener el motor.

CUANDO TRANSPORTE EL EQUIPO

- Transpórtelo con el tanque de combustible VACÍO.

CUANDO ALMACENE GASOLINA O EL EQUIPO CON COMBUSTIBLE EN EL TANQUE

- Almacene a distancia de hornos, estufas, calentadores de agua u otros aparatos que utilicen testigos piloto u otras fuentes de encendido ya que estos pueden encender los vapores de gasolina.

ADVERTENCIA



Dar arranque al motor crea chispeo.



El chispeo puede encender los gases inflamables cercanos. Podría ocurrir una explosión o un incendio.

- Si hay una fuga de gas natural o gas propano LP en el área, no le de arranque al motor.
- No use líquidos de arranque presurizado ya que los vapores son inflamables.

ADVERTENCIA



El uso de cuerdas eléctricas puede producir descargas eléctricas si la cuerda no tiene el aislamiento apropiado.

- En motores con arranque eléctrico, use la cuerda de extensión suministrada por el fabricante.
- Si la cuerda de alimentación eléctrica está dañada, ésta debe ser cambiada por el fabricante o por su agente de servicio o por una persona similarmente calificada para evitar un riesgo.

ADVERTENCIA



Los motores emiten monóxido de carbono, un gas venenoso que carece de olor y de color.

Respirar monóxido de carbono puede ocasionar náuseas, desmayos o la muerte.

- De arranque al motor y opérela en exteriores.
- No de arranque al motor ni lo opere en un área encerrada, aun cuando las puertas o las ventanas se encuentren abiertas.

ADVERTENCIA



La retracción rápida de la cuerda de arranque (contragolpe) le halará la mano y el brazo hacia el motor más rápido de lo que usted la pueda dejar ir.

Podrían ocasionarse roturas de huesos, fracturas, moretones o torceduras.

- Cuando le de arranque al motor, hale lentamente la cuerda hasta que se sienta resistencia, después hale la cuerda rápidamente.
- Los componentes de acople directo del equipo tal como, pero no limitados a, cuchillas, impulsores, poleas, dientes de piñones, etc. se deben asegurar firmemente.

ADVERTENCIA



Las partes rotantes pueden tener contacto o enredar las manos, los pies, el cabello, la ropa o los accesorios.

Puede producirse una traumática amputación o una grave laceración.

- Opere el equipo con los protectores en su lugar.
- Mantenga las manos y los pies a distancia de las partes rotantes.
- Recójase el cabello y quítense las joyas.
- No use ropa floja, tiras que cuelguen o artículos que puedan ser agarrados.

ADVERTENCIA



El funcionamiento de los motores produce calor. Las partes de los motores, especialmente el mofle, se calientan demasiado.

Pueden ocurrir graves quemaduras a causa de su contacto. Desechos combustibles, tal como hojas, grama, maleza, etc. pueden alcanzar a encenderse.

- Deje que el mofle, el cilindro y las aletas del motor se enfríen antes de tocarlos.
- Remueva los combustibles acumulados en el área del mofle y en el área del cilindro.



ADVERTENCIA



Un chispeo involuntario puede producir un incendio o una descarga eléctrica.



Una puesta en marcha involuntaria puede ocasionar un enredo, una amputación traumática o una laceración.



ANTES DE HACER AJUSTES O REPARACIONES

- Desconecte el cable de la bujía y manténgalo a distancia de bujía.

CUANDO COMPRUEBE CHISPA

- Utilice un probador de bujías aprobado.
- NO compruebe chispa si removió la bujía.

RECOMENDACIONES DE COMBUSTIBLE

PRECAUCIÓN:

El motor es despachado de Briggs & Stratton sin combustible. Antes de darle arranque al motor, llene con la mezcla de gasolina/aceite de acuerdo a lo especificado en este manual.

Para prevenir daños en el motor, **NO** use aceite de uso automotriz, tal como el aceite SAE 30 o 10W30, o combustible mezclado en la proporción no correcta de aceite para la gasolina. Se presentarán daños en el motor y éstos no estarán cubiertos por la garantía.

Este motor usa una mezcla de gasolina-aceite de 50:1. Use gasolina limpia, fresca, y sin plomo con un mínimo de 87 octanos para mezclar un aceite de dos-tiempos de alta calidad que cumpla con las especificaciones NMMA-TCW3 o ISO GD.

Mezcla del Combustible y el Aceite

Fig. 2

CUADRO DE MEZCLA DE GASOLINA Y ACEITE EN PROPORCIÓN 50:1

Gasolina	Aceite
1 Galón US (3.8 litros)	2.6 onzas (80 ml)
2 Galones US (7.6 litros)	5.2 onzas (160 ml)

IMPORTANTE:

- NO mezcle gasolina y aceite en el tanque del motor.
 - El aceite a temperatura ambiente se mezcla más fácil y más completamente que el aceite frío.
 - El aceite por debajo de 32° F (0° C) requiere un mezclado adicional.
1. Vierta medio galón US (1.9 litros) de gasolina fresca, sin plomo en un recipiente de combustible aprobado.
 2. Añada aceite de 2-tiempos a la gasolina según lo indicado en el cuadro.
 3. Instale la tapa en el recipiente de combustible.
 4. Sacuda el recipiente para mezclar toda la gasolina y el aceite.
 5. Remueva lentamente la tapa y añada la cantidad restante de gasolina.

Sistema de Control de Emisiones de Escape: EM (Modificaciones del Motor) Este motor está certificado para operar con una mezcla de gasolina/aceite.

Llenado del Tanque de Combustible

Fig. 3

Llene el tanque de combustible con una mezcla fresca de gasolina y aceite mezclados a la proporción apropiada.

- Gire el motor hacia la posición OFF y deje que el motor se enfríe por lo menos 2 minutos antes de remover la tapa de combustible.
- Llene el tanque de combustible en exteriores o en un área bien ventilada.
- No llene demasiado el tanque de combustible. Llene el tanque hasta aproximadamente 3.8 cms (1-1/2 pulgadas) ❶ por debajo de la parte superior del cuello para la expansión del combustible.

- Si se derramó combustible, espere hasta que se haya evaporado antes de darle arranque al motor.
- Mantenga el combustible a distancia de chispas, llamas abiertas, testigos piloto, calor y otras fuentes de encendido.
- Compruebe con frecuencia si existen grietas o fugas en las mangueras de combustible, el tanque, la tapa y en los accesorios. Cámbielos si es necesario.

ARRANQUE DEL MOTOR

Fig. 4

PRECAUCIÓN:

El fabricante del equipo en el cual es instalado el motor especifica la velocidad máxima en la cual será operado el motor. **NO EXCEDA** esta velocidad.

1. Llene el tanque del motor con el combustible apropiado.
2. Gire la llave de encendido en sentido de las agujas del reloj hacia la posición ON ❶.
3. Mueva la palanca del estrangulador hacia la posición CHOKE según lo indicado en la etiqueta en el equipo.
4. Oprima firmemente el cebador 2 veces con su dedo pulgar ❷, sosteniendo el cebador hundido durante un segundo antes de soltarlo cada vez.
5. Dele arranque al motor usando uno de los siguientes métodos:

Arranque Eléctrico.

Fig. 5



ADVERTENCIA

Use la cuerda de extensión suministrada por el fabricante. Si está deshilachada o dañada, cámbiela por una cuerda nueva.

PRECAUCIÓN:

Use ciclos de arranque cortos (5 segundos máximo, después espere un minuto) para alargar la vida del arranque.

1. Conecte la cuerda en el motor de arranque primero ❶, después en el toma corriente de la pared.
2. Oprima el botón de arranque. ❷
3. **IMPORTANTE!** Después de arrancar el motor, desconecte la cuerda de extensión del arranque.
4. Deje que el motor se caliente durante varios minutos, ajuste el estrangulador hacia la posición RUN. Espere a que el motor opere uniformemente antes de cada ajuste del estrangulador.

Arranque Retráctil

Fig. 6

1. Agarre la manija de la cuerda del arranque retráctil. Hale lentamente hasta que se sienta resistencia, después hale la cuerda rápidamente para dar arranque al motor y evitar un contragolpe.
2. Deje que el motor se caliente durante varios minutos, ajuste el estrangulador hacia la posición RUN. Espere a que el motor opere uniformemente antes de cada ajuste del estrangulador.

PARADA DEL MOTOR



ADVERTENCIA

NO cierre el estrangulador para detener el motor. Podrían presentarse petardos y causar un incendio o una explosión.

1. Gire la llave de encendido hacia la posición OFF.

Prevención de Congelamiento Después del Uso

- Deje que el motor opere durante algunos minutos para prevenir que se congelen las partes móviles. Detenga el motor, espere que todas las partes móviles se detengan, y remueva la nieve y el hielo del lanzador de nieve.
- Con el motor apagado, hale la manija de arranque retráctil varias veces y opere el botón del arranque eléctrico una vez para prevenir que el arranque retráctil y las partes eléctricas se congelen.

MANTENIMIENTO

	 ADVERTENCIA Para prevenir un arranque accidental, remueva el cable de la bujía y conéctelo a tierra antes de darle servicio. No golpee la volante con un martillo ni con un objeto pesado, Si lo hace, la volante puede cizallarse durante la operación. NO manipule las varillas u otras partes para incrementar la velocidad del motor.
--	---

El mantenimiento regular mejora el funcionamiento y alarga la vida del motor. Se requiere un servicio más frecuente cuando se opere en condiciones adversas.

Busque un Distribuidor de Servicio Autorizado para conseguir los repuestos correctos. Otras partes pueden no funcionar bien y podrían dañar el motor, ocasionar lesiones o invalidar su garantía.

Inspección / Cambio de la Bujía

Fig. 7

Inspeccione la bujía anualmente o cada 50 horas de uso.

1. Limpie la bujía con un cepillo de alambre removiendo el carbón acumulado. Verifique la condición de la bujía ya sea que esté agrietada o dañada. Cámbiela si es necesario.
2. Ajuste el entrehierro de la bujía a .030 pulgadas (0.75 mm). ①
3. Instale la bujía y apriétela con la mano, después apriétela a un torque de 175 libras-pulgada.

DETECCIÓN DE FALLAS

El Motor no arranca

Sin combustible

- Cebe el motor.
- Si el motor está frío, asegúrese que el estrangulador esté ajustado correctamente.
- Añada combustible.

Combustible descompuesto o pasado

- Drene el tanque de combustible y la taza del flotador del carburador. Llene el tanque con combustible limpio y fresco, apropiadamente mezclado. Llame o contacte un distribuidor de servicio autorizado si necesita ayuda.

Motor inundado

- La bujía puede estar sucia.

Bujía sucia / el motor falla para producir chispa

- Remueva la bujía y límpiela. Compruebe el espacio en los electrodos y ajuste la separación a la dimensión correcta. Consulte la Sección de Mantenimiento. Si la bujía está dañada, cámbiela por una bujía nueva.
- Asegúrese que la bujía quede instalada y que el cable quede conectado.

El motor opera desigualmente

El motor emite humo excesivamente (algo de humo es normal)

- Puede haber una ligera acumulación de aceite en el cárter una vez se arranca. Esto es normal.
- Si hay humo excesivo o el humo es denso, asegúrese que el estrangulador esté en la posición OFF.
- El combustible está demasiado rico. Drene el tanque de combustible y llene con la mezcla correcta de gasolina/aceite.

El motor experimenta falta de potencia o da explosiones

- Compruebe combustible descompuesto o pasado.
- El sistema de escape puede estar obstruido. Consulte un distribuidor de servicio autorizado para asistencia.

BODEGAJE

	 ADVERTENCIA Almacene en un área limpia y seca. NO almacene cerca de una estufa, horno o calentador de agua los cuales utilizan testigos piloto o de cualquier dispositivo que pueda crear chispa.
---	---

Los motores que van a ser almacenados durante más de 30 días necesitan ser protegidos o drenarles el combustible para prevenir que se forme goma en el sistema del combustible o en partes esenciales del carburador.

1. Añada un estabilizador/acondicionador de combustible al combustible en el tanque de combustible según lo indicado.
2. Opere el motor durante 5 minutos para distribuir el combustible acondicionado por todo el sistema de combustible.
3. Detenga el motor y permita que éste se enfríe.
4. Use una bomba manual para bombear el combustible desde el tanque de combustible en un recipiente de combustible aprobado, u opere el motor hasta que se detenga por la falta de combustible.
5. Dele arranque al motor y opérela hasta que se detenga por la falta de combustible.
6. Use el estrangulador o cebe el motor, arránquelo una tercera vez, y opere el motor hasta que no arranque.
7. Hale lentamente el arranque retráctil hasta que sienta resistencia debido a la presión de compresión, luego pare.
8. Afloje la tensión del arranque gradualmente permitiendo que la cuerda se devuelva lentamente para prevenir que el motor de marcha atrás debido a la presión de compresión.
9. Disponga del combustible no usado apropiadamente. Recíclalo de acuerdo a los códigos locales, o utilícelo en su automóvil.

SERVICIO

Lista Parcial de Partes del Motor

Bujía	801254
Probador de chispa	19368
Llave de bujía	89838 -o- 5023

Para comprar, o visualizar otros productos que Briggs & Stratton tenga disponibles, consulte un Distribuidor de Servicio Autorizado Briggs & Stratton. Utilice nuestro sitio web en www.briggsandstratton.com para encontrar el distribuidor más cercano a usted, o busque en las "Páginas Amarillas™".



El logo de los dedos caminando y las "Páginas Amarillas" son marcas registradas en varias jurisdicciones.

Necesita Asistencia? Visite nuestro sitio web o marque el 1-800-233-3723, (Estados Unidos y Canadá) para escuchar un menú de mensajes pre-grabados que le ofrecen información relacionada con el mantenimiento del motor.

INFORMACION TECNICA

Clasificación de Potencia

La clasificación de potencia para un modelo de motor en particular se desarrolla inicialmente comenzando con el código J1940 de SAE (Sociedad de Ingenieros Automotrices) (Procedimiento de Clasificación de Potencia & Torque del Motor Pequeño) (Revisión 2002-05). Dado ambos un amplio conjunto de productos en los cuales son puestos nuestros motores, y la variedad de emisiones ambientales aplicables al operar el equipo, puede que el motor que usted haya comprado no desarrolle la potencia nominal cuando sea usado en una parte del equipo acoplado (potencia real "en el-sitio"). Esta diferencia se debe a una variedad de factores incluyendo, pero no limitándose a, lo siguiente: diferencias en altitud, temperatura, presión barométrica, humedad, combustible, lubricación del motor, máxima velocidad regulada del motor, el motor particular a la variabilidad del motor, diseño de la parte en particular del equipo acoplado, la manera en la cual es operado el motor, el despegue del motor para reducir la fricción y para limpiar las cámaras de combustión, los ajustes a las válvulas y al carburador, y otra variedad de factores. Esta clasificación de potencia puede también ser ajustada basándose en comparaciones a otros motores semejantes utilizados en aplicaciones similares, y por lo tanto no se igualarán necesariamente los valores derivados usando los códigos anteriores.

Briggs & Stratton Corporation (B&S) y Agencia de Protección Ambiental de los Estados Unidos (U.S. EPA) / Declaración de la Garantía del Sistema de Control de Emisiones (Derechos y Obligaciones del Propietario de la Garantía de Defectos)

La Agencia de Protección Ambiental de los Estados Unidos U.S. EPA y B&S se complacen en explicarles la Garantía del Sistema de Control de Emisiones de su motor pequeño todo terreno (SORE).

En los Estados Unidos, los nuevos motores de encendido por chispa todo terreno modelos 1997 y posteriores, deben cumplir estándares similares a los establecidos por la Agencia de Protección Ambiental de los Estados Unidos (U.S. EPA). B&S debe garantizar el sistema de control de emisiones en su motor por los períodos de tiempo listados abajo, teniendo en cuenta que no haya habido abuso, negligencia o mantenimiento no apropiado en su motor pequeño todo terreno.

Su sistema de control de emisiones incluye partes tales como: el carburador, el filtro de aire, el sistema de encendido, el tubo de combustible, el mofle y el convertidor catalítico. También puede incluir los conectores y otros conjuntos relacionados con el sistema de control de emisiones.

Siempre que exista una condición de garantía, B&S reparará su motor pequeño todo terreno sin ningún costo para usted incluyendo el diagnóstico, las partes y la mano de obra.

Cobertura de la Garantía de Defectos del Sistema de Control de Emisiones Briggs & Stratton

Los motores pequeños todo terreno se garantizan relativo a los defectos de las partes del sistema de control de emisiones durante un período de dos años, sujeto a las provisiones establecidas abajo. Si alguna de las partes bajo cobertura en su motor se encuentra defectuosa, la parte será reparada o reemplazada por B&S.

Responsabilidades del Propietario de la Garantía

Como propietario de un motor pequeño todo terreno, usted es responsable de que se lleve a cabo el mantenimiento requerido el cual se indica en sus Instrucciones de Mantenimiento y Operación. B&S le recomienda guardar todos sus recibos que cubran el mantenimiento en su motor pequeño todo terreno, pero B&S no solo puede negar la garantía por la falta de recibos sino por su omisión al asegurar la realización de todo el mantenimiento programado.

No obstante, como propietario de un motor pequeño todo terreno, usted tiene que darse cuenta que B&S puede negarle la cobertura de la garantía si su motor pequeño todo terreno o una de sus partes ha fallado debido a abuso, negligencia, mantenimiento incorrecto o modificaciones no aprobadas

Usted es responsable de presentar su motor pequeño todo terreno a un Distribuidor de Servicio Autorizado B&S tan pronto se presente el problema.

Las reparaciones bajo garantía indisputables deben completarse en un período de tiempo razonable que no se exceda de 30 días.

Si usted tiene algunas preguntas relacionadas con los derechos y responsabilidades de la garantía, debe contactar a un Representante de Servicio B&S marcando el teléfono: 1-414-259-5262.

La garantía de emisiones es una garantía de defectos. Los defectos son juzgados en el desempeño normal de un motor. La garantía no está relacionada con una prueba de emisiones en uso.

Provisiones de la Garantía de Defectos del Sistema de Control de Emisiones Briggs & Stratton

Las siguientes son provisiones específicas relativas a la Cobertura de Garantía de Defectos del Sistema de Control de Emisiones. Es una adición de la garantía del motor B&S para los motores no-regulados encontrados en las Instrucciones de Mantenimiento y Operación.

1. Partes Garantizadas

La cobertura bajo esta garantía se extiende únicamente a las partes listadas abajo (partes de los sistemas de control de emisiones) a la extensión que estas partes estaban presentes en el motor comprado.

a. Sistema de Medición de Combustible

- Sistema de Enriquecimiento de Arranque en Frío (estrangulación suave)
- Carburador y Partes Internas
- Bomba de Combustible

b. Sistema de Inducción de Aire

- Filtro de Aire
- Múltiple de Admisión

c. Sistema de Encendido

- Bujía(s)
- Sistema de Encendido con Magneto

d. Sistema Catalizador

- Convertidor Catalítico
- Múltiple de Escape
- Sistema de Inyección de Aire o Válvula de Pulsación

e. Ítems Varios Usados en los Sistemas Anteriores

- Vacío, Temperatura, Posición, Válvulas Sensitivas de Tiempo y Suiches
- Conectores y Conjuntos

2. Duración de la Cobertura

B&S garantiza al propietario inicial y a cada comprador subsecuente que las Partes Garantizadas estarán libres de defectos en materiales y mano de obra la cual haya ocasionado fallas de las Partes Garantizadas por un período de dos años a partir de la fecha en que es entregado el motor a un comprador detallista.

3. Sin Costo

La reparación o cambio de cualquier Parte Garantizada se llevará a cabo sin costo alguno para el propietario, incluyendo la labor de diagnóstico la cual conduce a la determinación de que esa Parte Garantizada es defectuosa, si el trabajo de diagnóstico es realizado en un Distribuidor de Servicio Autorizado B&S. Para servicio de garantía de emisiones contacte su Distribuidor de Servicio Autorizado B&S más cercano listado en las "Páginas Amarillas" bajo "Motores, Gasolina", "Motores a Gasolina", "Máquinas Cortacésped" o en una categoría similar.

4. Reclamos y Exclusiones de la Cobertura

Los reclamos de la garantía se completarán de acuerdo con las provisiones de la Póliza de Garantía del Motor B&S. La cobertura de la garantía estará excluida para fallas de las Partes Garantizadas las cuales no sean partes originales B&S o por abuso, negligencia o mantenimiento incorrecto según se establece en la Póliza de Garantía del Motor B&S. B&S no se hace responsable de cubrir fallas de Partes Garantizadas ocasionadas por el uso de adición de partes, partes no-originales o partes modificadas.

5. Mantenimiento

Cualquier parte garantizada la cual no esté programada para cambio al realizar el mantenimiento requerido o la cual esté programada únicamente para una inspección regular por el efecto de "repáre o cambie si es necesario" se garantizará por defectos durante el período de la garantía. Cualquier Parte Garantizada la cual esté programada para cambio por el mantenimiento requerido se garantizará únicamente por defectos durante el período de tiempo hasta el primer cambio programado para esa parte. Cualquier repuesto que sea equivalente en desempeño y durabilidad puede ser usado al llevar a cabo toda tarea de mantenimiento o reparación. El propietario es responsable de la realización de todo el mantenimiento requerido, según se define en las Instrucciones de Mantenimiento y Operación B&S.

6. Cobertura Consecuente

La cobertura aquí establecida se extenderá hasta la falla de cualquiera de los componentes del motor ocasionada por la falla de cualquier Parte Garantizada que aún se encuentre bajo garantía.

Etiqueta de Conformidad de Emisiones del Motor

Ciertos motores Briggs & Stratton estarán certificados por cumplir con las normas de emisiones Fase 2 de la Agencia de Protección Ambiental de los Estados Unidos (USEPA). Para los motores certificados Fase 2, el Período de Conformidad de Emisiones al cual se refiere la Etiqueta de Conformidad de Emisiones indica el número de horas de operación para las cuales el motor ha demostrado que cumple con los requerimientos Federales de emisiones. Para motores con un desplazamiento inferior a 225 cc, Categoría C = 125 horas, B = 250 horas y A = 500 horas. Para motores con un desplazamiento de 225 cc o superior, Categoría C = 250 horas, B = 500 horas y A = 1000 horas.

POLIZA DE GARANTIA DEL PROPIETARIO DEL MOTOR BRIGGS & STRATTON

Vigente a partir de Julio 1, 2004, reemplaza todas las Garantías previas sin fecha y todas las Garantías fechadas antes de Julio 1, 2004

GARANTIA LIMITADA

Briggs & Stratton Corporation reparará o reemplazará, sin costo alguno, cualquier parte(s) del motor consideradas como defectuosas en material, mano de obra o ambos. Los gastos de transporte de las partes sometidas a reparación o cambio bajo esta Garantía deben ser abonados por el comprador. Esta garantía tiene vigencia durante el período de tiempo señalado en la misma, quedando sujeta a las condiciones establecidas en esta póliza. Para recibir servicio de garantía, contacte su Distribuidor de Servicio Autorizado más cercano en nuestro mapa de localización de distribuidores en www.briggsandstratton.com, o marque el 1-800-233-3723, o según aparezca listado en las 'Páginas Amarillas'™.

NO EXISTE NINGUNA OTRA GARANTIA EXPRESA. LAS GARANTIAS IMPLICITAS, INCLUSO AQUELLAS DE MERCANTIBILIDAD O ADAPTABILIDAD PARA UN FIN DETERMINADO QUEDAN LIMITADAS A UN AÑO A PARTIR DE LA FECHA DE COMPRA O A LA EXTENSION PERMITIDA POR LA LEY, QUEDANDO EXCLUIDAS TODAS LAS GARANTIAS IMPLICITAS. LA RESPONSABILIDAD POR DAÑOS FORTUITOS O CONSECUENTES BAJO CUALQUIER Y TODAS LAS GARANTIAS QUEDA EXCLUIDA EN LA MEDIDA QUE DICHA EXCLUSION SEA PERMITIDA POR LA LEY. Algunos países o estados no contemplan limitaciones en cuanto a la duración de una garantía implícita, y otros países o estados no permiten la exclusión o limitación de daños consecuentes o incidentales, en cuyo caso la limitación y la exclusión anteriores pueden no ser aplicables para usted. Esta garantía le da derechos legales específicos, pudiendo tener a su vez otros derechos que varían de un país a otro y de un estado a otro.

NUESTRO PRODUCTO

Vanguard™	ELS I/C® Industrial Plus™ Intek™ (Camisa de Cilindro)	Fource™ Intek™ (Cilindro de Aluminio Kool Bore) Power Built™ OHV Quantum®	Quattro™ Q45™ Sprint™ 2-Tiempos para Nieve	Classic™	Etek™
------------------	--	--	---	-----------------	--------------

PERIODO DE GARANTIA*

Uso Privado	2 años	2 años	2 años	1 año	1 año
Uso Comercial	2 años	1 año	90 días	30 días	1 año

* Observe los siguientes períodos especiales de garantía: 2 años para los motores Classic™ en los países de la Unión Europea y de Europa Oriental, para todos los productos del consumidor en la Unión Europea, y para los sistemas del control de emisiones certificados por EPA y CARB. 5 años para uso privado, 90 días para uso comercial del sistema de arranque Touch-N-Mow® en los motores Quantum® e Intek™. Los motores usados en carreras competitivas o en trayectorias comerciales o de renta no están cubiertos por la garantía.

El período de garantía comienza a partir de la fecha en la cual lo compró el consumidor detallista original o usuario final comercial, y continúa por el período de tiempo establecido en la tabla anterior. "Uso privado" significa uso doméstico personal por el consumidor detallista original. "Uso Comercial" significa todos los otros usos, incluyendo fines comerciales o que produzcan ingresos o renta. Una vez que el motor haya experimentado uso comercial, será considerado en adelante como motor de uso comercial para fines de esta garantía.

NO ES NECESARIO REGISTRAR LA GARANTÍA PARA OBTENER SERVICIO DE BRIGGS & STRATTON PRODUCTS. GUARDE SU RECIBO DE COMPRA. SI NO APORTA LA PRUEBA DE LA FECHA DE COMPRA INICIAL, SE UTILIZARÁ LA FECHA DE FABRICACIÓN DEL PRODUCTO PARA DETERMINAR EL PERÍODO DE GARANTÍA.

ACERCA DE LA GARANTIA DE SU MOTOR

Briggs & Stratton recibe con agrado la reparación bajo garantía y se disculpa por los inconvenientes presentados. Cualquier Distribuidor de Servicio Autorizado puede hacer reparaciones bajo garantía. La mayor parte de las reparaciones bajo garantía se atienden de manera rutinaria, pero algunas veces las peticiones para el servicio de garantía pueden no ser apropiadas. Por ejemplo, la garantía no podría aplicarse si el daño del motor ocurrió debido a abuso, falta del mantenimiento habitual, transporte, manejo, bodegaje o instalación inapropiados. De igual manera se invalidará la garantía si el número serial del motor ha sido removido o si el motor ha sido alterado o modificado.

Si un cliente no está de acuerdo con la decisión tomada por el Centro de Servicio, se realizará una investigación para determinar la aplicabilidad de la garantía. Pida a su Centro de Servicio Autorizado que envíe toda la información pertinente a su Distribuidor o a la Fábrica para proceder a su revisión. Si el Distribuidor o la Fábrica deciden que su reclamo es justificado, le será reembolsado al cliente el importe completo de aquellas partes aceptadas como defectuosas. Para evitar cualquier malentendido que pudiera presentarse entre el cliente y el Distribuidor, listamos a continuación algunas de las causas de fallas en el motor cuya reparación o cambio no cubre la garantía.

Desgaste Normal:

Los motores, como todos los dispositivos mecánicos, necesitan el cambio y el servicio periódico de las partes para desempeñarse bien. La garantía no cubrirá la reparación cuando el uso normal haya agotado la vida de una parte o de un motor.

Mantenimiento Incorrecto:

La vida útil de un motor depende de las condiciones bajo las cuales opere el motor y del cuidado que éste reciba. Algunas aplicaciones, tales como cultivadoras, bombas y máquinas cortacésped rotantes, se utilizan con mucha frecuencia en condiciones de mucho polvo o en condiciones muy sucias, las cuales pueden hacer que parezca un desgaste prematuro del motor. Tal desgaste, cuando es ocasionado por suciedad, polvo o por el hecho de limpiar la bujía con chorro de

arena, o porque otro material abrasivo haya entrado al motor debido a un mantenimiento no apropiado, no será cubierto por la garantía. **Esta garantía cubre únicamente, material defectuoso y/o mano de obra relacionados con el motor, y no el cambio o reembolso del equipo en el cual haya sido montado el motor. Ni extenderá la garantía a reparaciones requeridas debido a:**

1. PROBLEMAS OCASIONADOS POR EL USO DE PARTES QUE NO SEAN PARTES ORIGINALES BRIGGS & STRATTON.
2. Controles del equipo o instalaciones que impidan el arranque, ocasionando un rendimiento poco satisfactorio del motor, o que acorten la vida del motor. (Contacte el fabricante del equipo.)
3. Carburadores con fugas, conductos de combustible obstruidos, válvulas atascadas u otros daños causados por el uso de combustible contaminado o pasado. (Use gasolina limpia, fresca y sin plomo y el Estabilizador para Combustible de Briggs & Stratton Parte No. 5041.)
4. Partes que se hayan rayado o reventado por operar el motor con aceite lubricante insuficiente o contaminado, o por el uso del grado de viscosidad de aceite incorrecto (compruebe el nivel de aceite diariamente o después de cada 8 horas de operación. Rellene si es necesario y cámbielo según los intervalos recomendados.) El dispositivo protector del aceite OIL GARD® no se puede apagar durante la operación del motor. Se podrían presentar daños en el motor si el nivel de aceite no se mantiene correctamente. Lea las Instrucciones de Mantenimiento & Operación.
5. Reparación o ajuste de partes asociadas o conjuntos tales como embragues, transmisiones, controles remoto, etc., los cuales no son fabricados por Briggs & Stratton.
6. Daño o desgaste de partes causado por la entrada de suciedades al motor debido al mantenimiento incorrecto del filtro de aire, montaje incorrecto, o por el uso de un elemento o

cartucho para el filtro de aire que no sea original. (Limpie y aceite nuevamente el elemento de Espuma Aceitada o el pre-filtro de espuma y cambie el cartucho según los intervalos recomendados.) Lea las Instrucciones de Mantenimiento & Operación.

7. Partes dañadas por velocidad excesiva o recalentamiento causado por residuos de grama, desechos o suciedades los cuales tapan u obstruyen las aletas de enfriamiento, o el área de la volante, o por daños causados por operar el motor en un área confinada sin la suficiente ventilación. (Limpie las aletas en el cilindro, la cabeza del cilindro y la volante según los intervalos recomendados.) Lea las Instrucciones de Mantenimiento & Operación.
8. Partes del motor o del equipo quebradas por vibración excesiva causada por un montaje flojo del motor, cuchillas de corte flojas, cuchillas o impulsores flojos o no balanceados, fijación incorrecta del equipo al cigüeñal del motor, velocidad excesiva u otro abuso en la operación.
9. Un cigüeñal deformado o quebrado causado por golpear con un objeto sólido la cuchilla de corte de una máquina cortacésped rotante, o por tensión excesiva de las correas en v.
10. Afinación o ajuste de rutina del motor.
11. Descuido del motor o de los componentes del motor, es decir, cámara de combustión, válvulas, asientos de válvulas, guías de válvulas o bobinados del motor de arranque quemados, causado por el uso de combustibles alternos tales como, gas propano, gas natural, gasolinas alteradas, etc.

Usted dispone de la garantía únicamente a través de centros de servicio que hayan sido autorizados por Briggs & Stratton Corporation. Su Centro de Servicio Autorizado más cercano aparece listado en las "Páginas Amarillas"™ de su directorio telefónico bajo "Motores, Gasolina" o "Motores a Gasolina", "Máquinas Cortacésped," o en una categoría similar.

Remarque : (Cette remarque ne s'applique qu'aux moteurs utilisés aux États-Unis.) L'entretien, le remplacement ou la réparation des dispositifs et des systèmes de contrôle des émissions gazeuses peuvent être effectués par tout établissement ou individu spécialisé dans la réparation des moteurs autres que les moteurs automobiles. Néanmoins, pour que les réparations soient prises en charge par Briggs & Stratton au titre de la garantie, l'entretien, la réparation ou le remplacement des pièces de contrôle des émissions doivent être effectués par un Réparateur Agréé.

Les figures (exemple : Fig. 1) sont situées en deuxième et troisième de couverture de ce manuel.

COMMANDES ET CARACTÉRISTIQUES DU MOTEUR

Fig. 1

- ① Levier de réglage du starter
 - ② Contacteur à clé
 - ③ Bouton d'amorçage
 - ④ Bouton de démarrage électrique, le cas échéant
 - ⑤ Poignée du lanceur
 - ⑥ Rallonge électrique pour démarreur, le cas échéant
 - ⑦ Bougie
 - ⑧ Silencieux
 - ⑨ Démarreur électrique
 - ⑩ Modèle/Type/Code du moteur (frappé sur le corps du moteur)
- Inscrire ici le **Modèle**, le **Type** et le **Code** de votre moteur pour référence ultérieure.

Inscrire la date d'achat pour référence ultérieure.

SPÉCIFICATIONS

Alésage	63,5 mm
Course	44,4 mm
Cylindrée	141 cm ³
Écartement des électrodes de bougie	0,75 mm
Entrefer volant/bobine	0,25 mm
Mélange essence / huile	Essence sans plomb, indice d'octane 97 mélangée en proportion de 50:1 (2 %) avec de l'huile 2 temps

Remarque : La puissance du moteur décroît de 3,5 % par 1 000 pieds (300 mètres) d'altitude au-dessus du niveau de la mer et de 1 % par 10° F (5,6° C) au-dessus de 77° F (25° C).

 **ATTENTION**

Les gaz d'échappement de ce moteur contiennent des substances chimiques pouvant causer des cancers, des malformations fœtales ou d'autres problèmes de fécondation.



 **ATTENTION**

Briggs & Stratton n'approuve pas et n'autorise pas l'utilisation de ces moteurs sur les véhicules tout-terrain, les karts de loisirs, les motocyclettes, les aéroplanes ou les véhicules destinés à être utilisés en compétition. L'utilisation de ces moteurs pour ces applications peut entraîner des dommages matériels, des lésions graves (y compris la paralysie) ou la mort.

SPÉCIFICATIONS DE SÉCURITÉ

Sens des symboles qui peuvent être associés à ce produit.

	Incendie		Retour brutal		Fumées toxiques
	Explosion		Choc		Surface très chaude
	Alerte sécurité		Lire le manuel de l'utilisateur		Pièces en mouvement
	Marche Arrêt		Starter		Essence

  **AVANT DE DÉMARRER LE MOTEUR**

- Lire entièrement les instructions d'utilisation et d'entretien ET les instructions de l'équipement entraîné par ce moteur.*
- Un non-respect de ces instructions peut entraîner des blessures graves ou même mortelles.


* Briggs & Stratton n'est pas nécessairement au courant de l'application pour laquelle ce moteur est utilisé. Dès lors, nous vous recommandons de lire attentivement le mode d'emploi de l'équipement entraîné par ce moteur.


LES INSTRUCTIONS D'UTILISATION ET D'ENTRETIEN CONTIENNENT DES INFORMATIONS DE SÉCURITÉ POUR

- Que vous preniez bien connaissance des risques liés à l'utilisation de moteurs
- Vous informer sur les blessures pouvant être causées par ces risques, et
- Vous dire comment éviter ou réduire au maximum les risques de blessures.

Un mot indicatif (DANGER, AVERTISSEMENT ou ATTENTION) est utilisé avec le symbole d'alerte pour signaler la possibilité et la gravité potentielle d'une blessure. De plus, un symbole de danger peut être utilisé pour indiquer le type de risque encouru.

 **DANGER** indique un risque qui, s'il n'est pas éliminé, **entraînera la mort ou des blessures très graves.**

 **AVERTISSEMENT** indique un risque qui, s'il n'est pas éliminé, **pourrait entraîner la mort ou des blessures très graves.**

 **ATTENTION** indique un risque qui, s'il n'est pas éliminé, **pourrait entraîner des blessures mineures ou légères.**
ATTENTION, lorsqu'il est utilisé **sans** le symbole d'alerte, indique une situation qui **pourrait endommager le moteur.**

ATTENTION



L'essence et les vapeurs d'essence sont extrêmement inflammables et explosives.



Un incendie ou une explosion peut entraîner des blessures très graves ou même la mort.

POUR FAIRE LE PLEIN

- Couper le moteur et le laisser refroidir au moins 2 minutes avant d'ouvrir le bouchon du réservoir.
- Remplir le réservoir de carburant à l'extérieur ou dans un local extrêmement bien ventilé.
- Ne pas trop remplir le réservoir.
- Tenir l'essence à l'écart des étincelles, des flammes directes, des veilleuses, de la chaleur et des autres sources d'étincelles.
- Contrôler que les Durits, le réservoir, le bouchon et les raccords de carburant ne présentent ni fissures ni fuites. Remplacer si nécessaire.

POUR DÉMARRER LE MOTEUR

- S'assurer que la bougie, le silencieux et le bouchon du réservoir sont bien en place.
- Ne pas lancer le moteur quand la bougie est retirée.
- Si du carburant a été renversé, attendre son évaporation complète avant de démarrer le moteur.
- Si le moteur est noyé, placer le starter sur OPEN/RUN, amener l'accélérateur sur FAST et lancer le moteur jusqu'à ce qu'il démarre.

LORS DE L'UTILISATION DE L'ÉQUIPEMENT

- Ne pas utiliser le starter pour arrêter le moteur.

POUR TRANSPORTER L'ÉQUIPEMENT

- Transporter avec le réservoir de carburant VIDE.

POUR STOCKER DE L'ESSENCE OU L'ÉQUIPEMENT AVEC UN RÉSERVOIR PLEIN

- Les ranger loin des chaudières, cuisinières, chauffe-eau, ou tout autre appareil comportant une veilleuse ou une source susceptible de produire une étincelle, car ils pourraient enflammer les vapeurs d'essence.

ATTENTION



Le démarrage du moteur produit des étincelles.

Les étincelles peuvent enflammer les gaz inflammables à proximité.



Ceci pourrait provoquer une explosion ou un incendie.

- S'il y a une fuite de gaz naturel ou de GPL à proximité, ne pas démarrer le moteur.
- Ne pas utiliser de liquides de démarrage sous pression car leurs vapeurs sont inflammables.

ATTENTION



L'utilisation de rallonges électriques peut provoquer une électrocution si elles ne sont pas correctement isolées.

- Sur les moteurs à démarrage électrique, utiliser la rallonge fournie par le fabricant.
- Si la rallonge est endommagée, elle doit être remplacée par le fabricant, un Réparateur Agréé ou toute autre personne qualifiée afin d'éviter tout risque.

ATTENTION



Les moteurs produisent du monoxyde de carbone, qui est un gaz toxique inodore et invisible.

L'inhalation de monoxyde de carbone peut provoquer des nausées, un évanouissement et entraîner la mort.

- Démarrer le moteur et le faire fonctionner à l'extérieur.
- Ne pas démarrer ou faire fonctionner le moteur dans un local fermé, même si les portes et les fenêtres sont ouvertes.

ATTENTION



La rétraction rapide de la corde de lanceur (retour brutal) tirera votre main et votre bras vers le moteur beaucoup plus vite que vous ne pourrez les laisser partir.

Ceci pourrait entraîner des fêlures, des fractures, des ecchymoses ou des foulures.

- Lors du démarrage du moteur, tirer lentement sur la corde jusqu'à sentir une résistance, puis tirer rapidement.
- Les composants directement couplés à l'équipement, tels que les lames, turbines, poulies, engrenages, etc. sans que cette liste soit limitative, devront être fermement arrimés.

ATTENTION



Les pièces en rotation peuvent toucher ou saisir les mains, les pieds, les cheveux, les vêtements ou les accessoires.

Le résultat peut en être une amputation ou une lacération grave.

- Faire fonctionner l'équipement avec les écrans de protection en place.
- Tenir les mains et les pieds éloignés des pièces en rotation.
- Attacher les cheveux longs et retirer les bijoux.
- Ne pas porter de vêtements amples, de ceintures larges pendantes ou tout vêtement pouvant être saisi.

ATTENTION



Un moteur en marche produit de la chaleur. Les pièces du moteur, et plus particulièrement le silencieux, deviennent extrêmement chaudes.



Les toucher peut provoquer des brûlures sévères.

Les débris combustibles comme les feuilles, l'herbe, les broussailles peuvent s'enflammer.

- Laisser le silencieux, le cylindre du moteur et les ailettes refroidir avant de les toucher.
- Retirer les débris combustibles accumulés autour du silencieux et du cylindre.



ATTENTION



Une étincelle accidentelle peut provoquer un incendie ou un choc électrique.



Un démarrage accidentel peut causer un étranglement, l'amputation ou la lacération d'un membre.



AVANT D'EFFECTUER DES RÉGLAGES OU DES RÉPARATIONS

- Débrancher le fil de la bougie et le tenir à l'écart de la bougie.

CONTRÔLE DE L'ÉTINCELLE

- Utiliser un testeur de bougie homologué.
- Ne pas contrôler l'étincelle en retirant la bougie.

CARBURANTS RECOMMANDÉS

ATTENTION :

Le moteur est expédié par Briggs & Stratton sans carburant. Avant de le démarrer, faire le plein de mélange comme spécifié dans ce manuel. Pour éviter d'endommager le moteur, **NE PAS** utiliser d'huile automobile, comme de la SAE 30 ou 10W30 ni un mélange dont les proportions ne sont pas correctes. Il en résulterait une détérioration du moteur qui ne serait pas couverte par la garantie.

Ce moteur utilise un mélange d'essence et d'huile dans les proportions de 50:1 (2 %). Utiliser de l'essence sans plomb, propre et récente avec un indice d'octane minimum de 97 pour y mélanger une huile deux temps de bonne qualité répondant aux spécifications NMMA-TCW3 ou ISO GD.

Mélange d'huile et d'essence

Fig. 2

TABLEAU DE MÉLANGE D'HUILE ET D'ESSENCE À 2 %

Essence	Huile
1 gallon US (3,8 litres)	80 ml (2.6 oz)
2 gallons US (7,6 litres)	160 ml (5.2 oz)

IMPORTANT

- NE PAS mélanger huile et essence à l'intérieur du réservoir du moteur.
- L'huile à température ambiante se mélange mieux que l'huile froide.
- Le mélange des huiles dont la température est inférieure à 0° C est plus long.

1. Verser un demi-gallon US (1,9 litre) d'essence sans plomb récente dans un bidon approuvé.
2. Ajouter de l'huile 2 temps à l'essence en respectant les proportions du tableau.
3. Visser le bouchon sur le bidon.
4. Secouer le bidon pour mélanger huile et essence.
5. Enlever lentement le bouchon et ajouter le reste de l'essence.

Système de contrôle des émissions de gaz d'échappement : EM (modifications du moteur). Ce moteur est certifié pour fonctionner au mélange huile/essence.

Plein de carburant

Fig. 3

Remplir le réservoir du mélange récent d'huile et d'essence au pourcentage correct.

- Couper le moteur et le laisser refroidir au moins 2 minutes avant d'ouvrir le bouchon du réservoir.
- Remplir le réservoir de carburant à l'extérieur ou dans un local extrêmement bien ventilé.
- Ne pas trop remplir le réservoir. Laisser environ 4 cm d'espace sous le haut du col pour permettre la dilatation du carburant.

- Si du carburant a été renversé, attendre son évaporation complète avant de démarrer le moteur.
- Tenir le carburant à l'écart des étincelles, des flammes directes, des veilleuses, des cigarettes ou autre, de la chaleur et des autres sources d'étincelles.
- Contrôler que les Durits, le réservoir, le bouchon et les raccords de carburant ne présentent ni fissures ni fuites. Remplacer si nécessaire.

DÉMARRAGE DU MOTEUR

Fig. 4

ATTENTION :

Le fabricant de l'équipement sur lequel est monté ce moteur a spécifié le régime maximum à vide d'utilisation du moteur. **NE PAS DÉPASSER** ce régime maximum.

1. Faire le plein du réservoir avec le carburant approprié.
2. Tourner la clé dans le sens des aiguilles d'une montre sur la position ON ①.
3. Mettre le levier du stater sur la position CHOKE selon le marquage de l'équipement.
4. Pousser fermement la poire d'amorçage 2 fois avec le pouce ②, en maintenant à chaque fois la poire enfoncée pendant une seconde avant de la relâcher.
5. Démarrer le moteur selon l'une des méthodes suivantes :

Démarrateur électrique

Fig. 5



ATTENTION

Utiliser la rallonge électrique fournie par le fabricant. Si elle est effilochée ou endommagée, la remplacer par une neuve.

ATTENTION :

Ne faire tourner le démarreur que pendant des temps très courts (5 secondes maximum puis attendre une minute) pour prolonger la vie du démarreur.

1. Brancher la rallonge sur le moteur d'abord ①, puis dans la prise murale.
2. Appuyer sur le bouton du démarreur. ②
3. **IMPORTANT !** Après le démarrage du moteur, débrancher la rallonge d'alimentation du démarreur.
4. Laisser chauffer le moteur pendant plusieurs minutes en ramenant le starter à la position RUN. Attendre que le moteur tourne sans à-coups entre deux modifications de la position du starter.

Lanceur à rappel automatique

Fig. 6

1. Saisir la poignée de la corde du lanceur à rappel automatique. Tirer doucement jusqu'à sentir une résistance puis tirer rapidement pour démarrer le moteur et éviter un retour brutal.
2. Laisser chauffer le moteur pendant plusieurs minutes en ramenant le starter à la position RUN. Attendre que le moteur tourne sans à-coups entre deux modifications de la position du starter.

ARRÊT DU MOTEUR



ATTENTION


NE PAS tirer le starter pour arrêter le moteur. Il pourrait se produire un retour d'allumage qui entraînerait un incendie ou une explosion.

1. Mettre la clé de contact sur la position OFF.

Protection contre le gel après utilisation

- Laisser le moteur tourner pendant quelques minutes pour éviter que les pièces mobiles ne gèlent. Arrêter le moteur, attendre que toutes les pièces mobiles se soient arrêtées et enlever la neige et la glace du chasse-neige.
- Moteur arrêté, tirer sur la poignée du lanceur plusieurs fois et utiliser une fois le bouton du démarreur électrique pour éviter au lanceur ou au démarreur de geler.

ENTRETIEN

 ATTENTION	 <p>Pour prévenir un démarrage accidentel, retirer le fil de bougie et le mettre à la masse avant de commencer l'entretien. Ne pas frapper sur le volant moteur avec un marteau ou un objet dur. Sinon le volant moteur risque d'éclater durant le fonctionnement. Ne pas modifier les ressorts du régulateur ou autres pièces pour augmenter le régime du moteur.</p>
---	--

Un entretien régulier améliore les performances et augmente la durée de vie du moteur. Si les conditions de fonctionnement sont défavorables, il est recommandé d'entretenir le moteur plus fréquemment.

Contactez un Réparateur Agréé Briggs & Stratton pour obtenir les pièces de rechange adéquates. Les pièces de rechange autres que celles d'origine peuvent ne pas fonctionner aussi bien, risquent d'endommager le moteur et peuvent entraîner des blessures ou l'annulation de la garantie.

Inspection ou changement de la bougie

Fig. 7

Une fois par an ou toutes les 50 heures de fonctionnement, inspecter la bougie.

1. Nettoyer la bougie avec une brosse métallique pour enlever la calamine. Vérifier l'état de la bougie pour voir si elle est fêlée ou endommagée. La remplacer le cas échéant.
2. Régler l'écartement des électrodes à 0,75 mm. ❶
3. Visser la bougie à la main, puis la serrer au couple de 20 N.m

DÉPANNAGE

Le moteur ne démarre pas

Panne d'essence

- Amorcer le moteur.
- Si le moteur est froid, s'assurer que le starter est tiré.
- Faire le plein.

Carburant mauvais ou éventé

- Vidanger le réservoir et la cuve du flotteur du carburateur. Faire le plein d'essence récente et propre mélangée à de l'huile dans les bonnes proportions.

Moteur noyé

- La bougie peut être encrassée.

Bougie encrassée, le moteur ne produit pas d'étincelle

- Démontez la bougie pour la nettoyer. Vérifier l'écartement des électrodes et le régler. Voir le paragraphe Entretien. Si la bougie est endommagée, la remplacer par une neuve.
- S'assurer que la bougie est bien montée et que le fil de bougie est raccordé.

Le moteur fonctionne par à-coups


Le moteur fume trop (un peu de fumée est normal)

- Il peut y avoir une légère accumulation d'huile dans le carter au démarrage. C'est normal.
- S'il fume trop ou si la fumée est épaisse, s'assurer que le starter est coupé.
- Le mélange est trop riche. Vidanger le réservoir et le remplir du mélange au pourcentage indiqué.

Le moteur n'a pas de puissance ou fait un retour de flamme

- Vérifier si le carburant n'est pas mauvais ou éventé.
- Le système d'échappement peut être bouché. Rechercher de l'aide auprès d'un Réparateur Agréé.

STOCKAGE

 ATTENTION	 <p>Ranger dans un endroit propre et sec, qui NE SOIT PAS à proximité d'un poêle, d'un four ou d'un chauffe-eau qui utilise une veilleuse ou un dispositif produisant une étincelle.</p>
---	---

Les moteurs stockés pendant plus de 30 jours doivent recevoir une protection ou leur essence doit être vidangée pour prévenir les dépôts de gomme dans le système d'alimentation ou sur des pièces vitales du carburateur.

1. Ajouter dans le réservoir un stabilisateur d'essence, comme indiqué.
2. Faire tourner le moteur pendant 5 minutes pour répartir le stabilisateur dans tout le système d'alimentation.
3. Arrêter le moteur et le laisser refroidir.
4. Utiliser une pompe manuelle pour pomper le carburant du réservoir dans un récipient approuvé, ou faire tourner le moteur jusqu'à ce qu'il s'arrête.
5. Démarrer le moteur et le laisser tourner jusqu'à ce qu'il s'arrête.
6. Mettre le starter ou amorce le moteur, le démarrer une troisième fois et le laisser tourner jusqu'à ce qu'il ne puisse plus démarrer.
7. Tirer doucement sur le lanceur jusqu'à sentir une résistance due à la compression, puis arrêter.
8. Relâcher progressivement la tension du lanceur en laissant la corde revenir lentement pour éviter que le moteur ne retourne en arrière à cause de la compression.
9. Se débarrasser correctement de l'essence non utilisée. La recycler selon les codes locaux ou l'utiliser pour une automobile.

ENTRETIEN

Liste partielle de pièces détachées

Bougie	801254
Contrôleur d'étincelle	019368
Clé à bougies	089838 ou 005023B

Pour acheter ou voir les autres produits disponibles auprès de Briggs & Stratton, s'adresser à un Réparateur Agréé Briggs & Stratton. Visiter notre site Internet www.briggsandstratton.com pour connaître le concessionnaire le plus proche de chez vous ou consulter les Pages Jaunes™.



Le logo des « doigts qui marchent » et les Pages jaunes sont des marques déposées dans plusieurs pays.

Besoin d'aide ? Consultez notre site Internet ou appelez le 1-800-233-3723 (États-Unis et Canada) où le menu de messages pré-enregistrés vous communiquera des informations relatives à l'entretien des moteurs.

INFORMATIONS TECHNIQUES

Puissance théorique

L'étalonnage de puissance d'un moteur est calculé au départ selon le code J1940 (Procédure de calcul de la puissance et du couple des petits moteurs) (Révision 2002-05) de la SAE (Society of Automotive Engineers). Compte tenu de la grande variété des machines où nos moteurs sont utilisés et du nombre de problèmes environnementaux applicables au fonctionnement des équipements, il se peut que le moteur que vous avez acheté ne développe pas la puissance théorique une fois qu'il est monté dans une machine particulière (puissance réelle « sur site »). Cette différence s'explique par un grand nombre de facteurs tels que les suivants (liste non limitative) : différences d'altitude, de température, de pression atmosphérique, d'humidité, de carburant, de lubrification du moteur, de régime maximum autorisé par le régulateur, variation d'un moteur à l'autre, conception de la machine sur laquelle il est monté, rodage pour réduire les frottements et propreté des chambres de combustion, réglages des soupapes et du carburateur et de nombreux autres facteurs. La puissance théorique peut aussi être ajustée par comparaison avec d'autres moteurs similaires utilisés dans des applications semblables ce qui fait qu'elle ne correspond pas forcément à la valeur calculée précisément à l'aide du code précité.

Déclaration de garantie du système de contrôle des émissions de Briggs & Stratton Corporation (B&S), du California Air Resources Board (CARB) et de la United States Environmental Protection Agency (U.S. EPA) (Droits et obligations du propriétaire au titre de la garantie contre tout défaut)

Le California Air Resources Board (CARB), U.S. EPA et B&S ont le plaisir de vous expliquer la garantie du système de contrôle des émissions pour votre moteur non routier*.

Aux États-Unis, les nouveaux petits moteurs non tout-terrain, à allumage commandé, depuis l'année modèle 1997 doivent répondre à des normes semblables édictées par la U.S. EPA. Briggs & Stratton doit garantir le système de contrôle des émissions de votre moteur pendant les durées indiquées ci-après, en supposant que le moteur non routier ne soit pas mal utilisé, négligé ou que son entretien ne soit pas défectueux.

Le système de contrôle des émissions comprend des pièces comme le carburateur, le filtre à air, le système d'allumage, la Durit de carburant, le silencieux et le convertisseur catalytique. Des connecteurs et d'autres assemblages impliqués dans les émissions peuvent aussi en faire partie.

Si la condition de garantie est remplie, Briggs & Stratton réparera gratuitement votre moteur y compris le diagnostic, les pièces et la main-d'œuvre.

Couverture de la garantie de défectuosité du contrôle des émissions de Briggs & Stratton

Les petits moteurs tout terrain sont garantis en ce qui concerne les défauts des pièces du contrôle d'émission pendant une période de deux ans, aux conditions énoncées plus loin. Si une pièce de votre moteur couverte par cette garantie est défectueuse, Briggs & Stratton la réparera ou la remplacera.

Responsabilités du propriétaire au titre de la garantie

En tant que propriétaire d'un petit moteur non routier, vous êtes responsable de l'entretien nécessaire indiqué dans les instructions de fonctionnement et d'entretien. Briggs & Stratton recommande de conserver toutes les factures de maintenance de votre moteur, mais Briggs & Stratton ne peut renier la garantie uniquement à cause de l'absence de factures.

En tant que propriétaire d'un moteur non routier, vous devez néanmoins savoir que Briggs & Stratton peut refuser d'appliquer la garantie si la défectuosité de votre moteur ou d'une partie de ce moteur est due à un abus, une négligence, un entretien non correct ou des modifications non approuvées.

Vous avez la responsabilité de confier votre moteur à un Réparateur Agréé Briggs & Stratton dès que vous découvrez un problème.

Les réparations incontestables sous garantie seront effectuées en un temps raisonnable qui ne doit pas excéder 30 jours.

Si vous avez des questions au sujet de vos droits ou de vos responsabilités quant à la garantie, veuillez contacter un représentant de Briggs & Stratton au 1-414-259-5262.

La garantie d'émission est une garantie contre des défectuosités. Les défectuosités sont jugées en fonction des performances normales d'un moteur. La garantie n'est pas liée à un test d'émission en fonctionnement.

Dispositions de la garantie de défectuosité du contrôle des émissions de Briggs & Stratton

Suivent les dispositions particulières de la couverture de la garantie de défectuosité du contrôle des émissions. Elles viennent en complément de la garantie des moteurs Briggs & Stratton pour les moteurs non réglementés qui se trouve dans les instructions de fonctionnement et d'entretien.

1. Pièces garanties

La couverture au titre de cette garantie ne s'étend qu'aux pièces énumérées ci-dessous (celles du système de contrôle des émissions) dans la mesure où ces pièces étaient présentes dans le moteur au moment de l'achat.

- a. Système de dosage du carburant
 - Système d'enrichissement pour démarrages à froid (starter)
 - Carburateur et pièces internes
 - Pompe à carburant
- b. Système d'admission d'air
 - Filtre à air
 - Collecteur d'admission
- c. Système d'allumage
 - Bougie(s)
 - Système d'allumage par volant magnétique
- d. Système catalytique
 - Convertisseur catalytique
 - Collecteur d'échappement
 - Système d'injection d'air ou soupape d'impulsion
- e. Pièces diverses utilisées dans les systèmes ci-dessus
 - Soupapes et contacteurs de dépression, de température, de position et de temps
 - Raccords et assemblages

2. Durée de la couverture

Briggs & Stratton garantit au propriétaire initial et à tous les acheteurs suivants les pièces contre tout défaut de matière ou de fabrication qui pourrait entraîner une défectuosité des pièces garanties pendant une période de deux ans à partir de la date de livraison du moteur à un acheteur individuel.

3. Gratuité

La réparation ou le remplacement de toute pièce garantie s'effectuera gratuitement pour l'acheteur, y compris les frais de diagnostic permettant de déterminer qu'une pièce garantie est défectueuse, si le diagnostic est effectué par un Réparateur Agréé Briggs & Stratton. Pour bénéficier du service de garantie, veuillez contacter le Réparateur Agréé Briggs & Stratton le plus proche de chez vous listé dans les Pages Jaunes sous la rubrique « moteurs, essence », « moteurs à essence », « tondeuses à gazon » ou autre catégorie semblable.

4. Réclamations et exclusions de garantie

Les réclamations sous garantie seront présentées selon les dispositions de la police de garantie des moteurs de Briggs & Stratton. La garantie ne couvre pas les pièces qui ne sont pas des pièces Briggs & Stratton d'origine ou qui ont fait l'objet d'abus, de négligence ou d'un mauvais entretien ainsi qu'indiqué dans la police de garantie des moteurs de Briggs & Stratton. Briggs & Stratton n'est pas responsable des défaillances dues à l'utilisation de pièces rajoutées, non d'origine ou modifiées.

5. Entretien

Toute pièce garantie qui ne doit pas être remplacée au titre de l'entretien ou qui est sujette à une inspection régulière avec la mention « réparer ou remplacer si besoin est » est garantie contre tout défaut pendant la période de garantie. Toute pièce dont le remplacement est prévu au titre de l'entretien n'est garantie contre tout défaut que pendant sa période normale d'utilisation. Les opérations de maintenance et de réparation doivent utiliser des pièces équivalentes sur le plan des performances et de la longévité. Le propriétaire est responsable de l'entretien défini dans les instructions de fonctionnement et d'entretien de Briggs & Stratton.

6. Couverture des conséquences

La présente couverture s'étend à la défaillance de tout composant du moteur due à la défaillance d'une pièce encore sous garantie.

Étiquette de conformité d'émissions

Certains moteurs Briggs & Stratton seront certifiés conformes aux normes environnementales d'émissions de la United States Environmental Protection Agency (USEPA) Phase 2, Classe IV. Pour les moteurs certifiés Phase 2, Classe IV, la période de conformité d'émissions mentionnée sur les étiquettes indique le nombre d'heures d'utilisation pour lequel le moteur est en conformité avec les normes fédérales. Pour les moteurs de cylindrée inférieure à 225 cm³, la catégorie C = 125 heures, B = 250 heures et A = 500 heures. Pour les moteurs de plus de 225 cm³, la catégorie C = 250 heures, B = 500 heures et A = 1000 heures.

APPLICATION DE LA GARANTIE SUR LES MOTEURS BRIGGS & STRATTON

Prise d'effet au 1er juillet 2004, annule et remplace toutes les garanties précédentes et les garanties antérieures au 1er juillet 2004

GARANTIE LIMITÉE

Briggs & Stratton remplacera ou réparera gratuitement toute pièce ou pièces du moteur présentant un défaut de matière ou de construction ou les deux. Tous les frais de transport de pièces destinées à être remplacées ou réparées au titre de la présente garantie restent à charge de l'acheteur. Cette garantie est applicable pendant la période et aux conditions prévues dans le présent document. Pour toute intervention sous garantie, chercher le Réparateur Agréé Briggs & Stratton le plus proche dans la liste des Réparateurs sur notre site Internet www.briggsandstratton.com ou en appelant le numéro figurant dans les Pages Jaunes™.

IL N'EXISTE AUCUNE AUTRE GARANTIE EXPRESSE. LES GARANTIES IMPLICITES, Y COMPRIS CELLES DE LA VALEUR MARCHANDE ET D'ADAPTATION À UN OBJECTIF PARTICULIER, SONT LIMITÉES À UN AN À PARTIR DE LA DATE D'ACHAT OU À LA PÉRIODE LÉGALE ADMISE. TOUTE AUTRE GARANTIE IMPLICITE EST EXCLUE. NOTRE RESPONSABILITÉ POUR LES DÉGÂTS PROVOQUÉS PAR L'ÉQUIPEMENT OU LES DOMMAGES-INTÉRÊTS ACCESSOIRES EST EXCLUE DANS LA LIMITE DES EXCLUSIONS AUTORISÉES PAR LA LOI. Certains pays ou états n'autorisent pas la limitation de la durée de la garantie implicite et certains pays ou états n'autorisent pas l'exclusion ou la limitation des dégâts provoqués ou consécutifs à un accident, ce qui fait que les limitation et exclusion ci-dessus peuvent ne pas s'appliquer à vous. Cette garantie vous donne des droits légaux et vous pouvez bénéficier d'autres droits qui peuvent varier d'un pays à l'autre ou d'un état à l'autre.

NOTRE PRODUIT

Vanguard™	ELS I/C® Industrial Plus™ Intek™ (chemise fonte)	Fource™ Intek™ (Kool Bore) Power Built™ Arbre à cames en tête Quantum®	Quattro™ Q45™ Sprint™ Chasse-neige 2 temps	Classic™	Etek™
------------------	---	---	---	-----------------	--------------

PÉRIODE DE GARANTIE*

Usage privé	2 ans	2 ans	2 ans	1 an	1 an
Usage commercial		1 an	90 jours	30 jours	

* Veuillez noter les périodes de garantie spéciales suivantes : 2 ans pour les moteurs Classic™ dans les pays de l'Union Européenne et les pays de l'Est, pour tous les produits à usage privé dans l'Union Européenne et pour les systèmes de contrôle des émissions sur les moteurs certifiés par EPA et CARB. 5 ans pour usage privé, 90 jours pour usage commercial du lanceur Touch-N-Mow® sur les moteurs Quantum® et Intek™. Les moteurs utilisés en compétition ou avec un but d'exploitation commerciale ou de location ne sont pas garantis.

La période de garantie débute à la date d'achat par l'acheteur particulier initial ou l'utilisateur professionnel final et continue pendant la période indiquée dans le tableau ci-dessus. « Usage privé » signifie utilisation pour l'entretien de sa résidence personnelle par un acheteur particulier. « Usage commercial » couvre toutes les autres utilisations, y compris dans un but commercial, de rentabilité ou de location. Dès qu'un moteur a servi à un usage commercial, il sera considéré comme moteur à usage commercial dans le cadre de la présente garantie.

POUR TOUTS LES ÉQUIPEMENTS FABRIQUÉS PAR BRIGGS & STRATTON, L'ENREGISTREMENT DE LA GARANTIE N'EST PAS OBLIGATOIRE POUR QU'ELLE PRENNE EFFET. CONSERVER LE REÇU COMME PREUVE D'ACHAT. SI, LORS D'UNE DEMANDE D'INTERVENTION SOUS GARANTIE, LA DATE INITIALE D'ACHAT NE PEUT ÊTRE FOURNIE, LA DATE DE FABRICATION DU PRODUIT SERT DE RÉFÉRENCE POUR DÉTERMINER LA PÉRIODE DE GARANTIE.

À PROPOS DE LA GARANTIE DE MOTEUR

Briggs & Stratton se fera un plaisir d'effectuer une réparation en garantie tout en déplorant les inconvénients qu'elle peut vous occasionner. Tout Réparateur Agréé peut effectuer des réparations en garantie. La plupart des réparations en garantie sont effectuées sans discussion mais il peut arriver que la demande de réparation en garantie soit injustifiée. Par exemple, la garantie ne s'applique pas quand la défaillance du moteur est due à un abus, un manque d'entretien courant, l'expédition, la manipulation, l'entreposage ou une mauvaise installation. Il en va de même si le numéro de série du moteur a été éliminé ou que le moteur a été modifié ou trafiqué.

Si le client n'est pas d'accord avec la décision d'un Réparateur Agréé, une enquête sera effectuée afin de déterminer si la garantie peut être appliquée. Demander au Réparateur Agréé de soumettre tous les faits au distributeur ou à l'usine pour examen. Si le distributeur ou l'usine décide que la demande est justifiée, les articles reconnus défectueux seront intégralement remboursés au client. Afin d'éviter tout malentendu entre les propriétaires de moteurs et les Réparateurs Agréés Briggs & Stratton, nous indiquons ci-après quelques-unes de causes de défaillance des moteurs pour lesquels le remplacement ou la réparation ne sont pas couverts par la garantie.

Usure normale :

Les moteurs, comme tous les autres appareils mécaniques, ont besoin d'un entretien régulier des pièces et leur remplacement pour fonctionner correctement. La garantie ne couvre pas la réparation lorsque c'est l'usure normale qui a amené les pièces ou le moteur en fin de vie.

Entretien inadéquat :

La longévité d'un moteur dépend des conditions dans lesquelles il est utilisé et de l'entretien qu'il reçoit. Certaines applications, comme les motoculteurs, les pompes et les tondeuses, sont souvent utilisées dans un environnement poussiéreux ou sale, ce qui peut être la cause d'une usure pouvant paraître prématurée. Une telle

usure, lorsqu'elle est consécutive à l'entrée de poussière, sable ou autre produit abrasif, à cause d'un mauvais entretien, n'est pas couverte par la garantie.

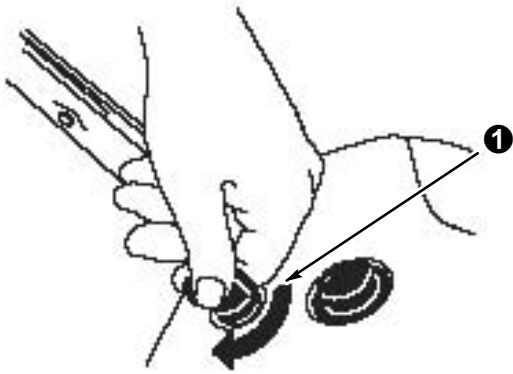
Cette garantie couvre uniquement les pièces défectueuses et/ou la main d'œuvre et pas le remplacement ou le remboursement de l'équipement sur lequel est monté le moteur. La garantie ne s'applique pas non plus aux réparations dues à :

- DES PROBLÈMES PROVOQUÉS PAR L'EMPLOI DE PIÈCES NON D'ORIGINE BRIGGS & STRATTON.
- Les commandes de l'équipement ou les dispositifs qui empêchent le démarrage, perturbent le fonctionnement du moteur ou abrègent sa durée de vie. (Contacter le fabricant de l'équipement.)
- Les fuites de carburateur, l'obstruction des Durits d'alimentation, le blocage des soupapes ou autres dommages provoqués par une essence contaminée ou trop vieille. (Utiliser de l'essence sans plomb récente et propre et du stabilisateur pour carburant Briggs & Stratton, Réf. : 5041.)
- Les pièces qui seraient rayées ou cassées du fait du fonctionnement du moteur avec un manque d'huile ou d'une huile polluée, ou encore d'un indice de viscosité de l'huile inadéquat (vérifier le niveau d'huile quotidiennement ou après 8 heures d'utilisation. Refaire le niveau quand c'est nécessaire et vidanger aux périodes recommandées.) Le dispositif OIL GARD® peut ne pas couper un moteur en marche. Le moteur peut être endommagé si le niveau d'huile n'est pas maintenu régulièrement. Lire les Instructions d'utilisation et d'entretien.
- La réparation ou le réglage de pièces ou d'un groupe de pièces associées tels que les embrayages, transmissions, commandes à distance, etc., qui ne sont pas fabriqués par Briggs & Stratton.

- Les dommages ou l'usure de pièces provoqués par la pénétration de poussière due au manque d'entretien ou au mauvais montage du filtre à air ou à l'emploi d'un élément ou d'une cartouche de filtre à air non d'origine. (Aux intervalles recommandés, nettoyer et huiler à nouveau le filtre élément mousse (Oil Foam) ou le pré-filtre en mousse et remplacer la cartouche.) Lire les instructions d'utilisation et d'entretien.
- Les pièces endommagées suite à un sur-régime ou une surchauffe provoqués par l'obstruction des ailettes de refroidissement et de la zone du volant par des débris d'herbe ou de la poussière ou par l'utilisation du moteur dans un local fermé insuffisamment ventilé. (Nettoyer aux intervalles recommandés les ailettes du cylindre, de la culasse et du volant.) Lire les instructions d'utilisation et d'entretien.
- Le bris de pièces du moteur ou de l'équipement dû à des vibrations excessives résultant d'un serrage insuffisant des boulons de fixation du moteur, d'une lame ou d'une turbine desserrée ou mal équilibrée, d'une mauvaise adaptation de l'équipement sur le vilebrequin du moteur, d'un sur-régime ou d'une mauvaise utilisation.
- Vilebrequin faussé ou cassé suite au choc de la lame d'une tondeuse rotative sur un corps dur, ou d'une courroie trapézoïdale trop tendue.
- Réglage ou mise au point normale du moteur.
- La défaillance du moteur ou des pièces du moteur, telles que la chambre de combustion, les soupapes, sièges de soupape, guides de soupape ou bobinage du démarreur grillés, suite à l'emploi de carburants de substitution tels que du pétrole liquéfié, du gaz naturel ou des essences modifiées, etc.

La garantie peut être appliquée uniquement par les Réparateurs Agréés Briggs & Stratton. Le Réparateur le plus proche figure dans les Pages Jaunes™ de votre annuaire téléphonique, sous la rubrique « moteurs à essence », « tondeuses à gaz » ou sous une rubrique apparentée.

Fig. 4



2

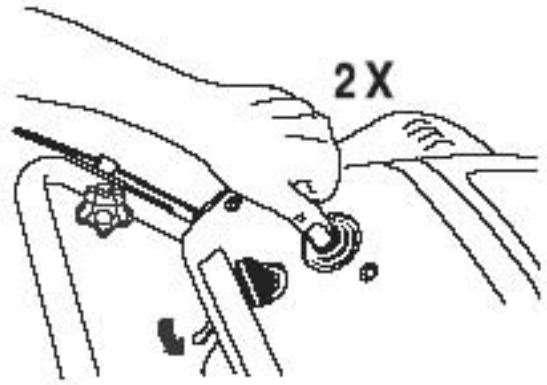
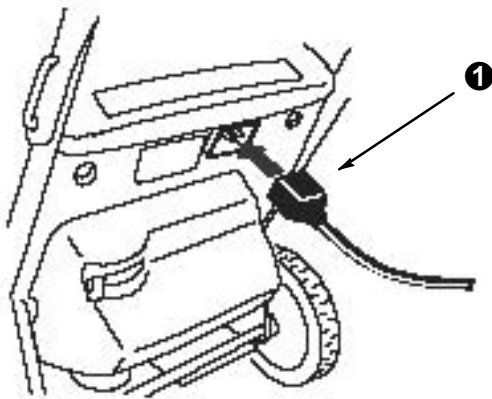


Fig. 5



2

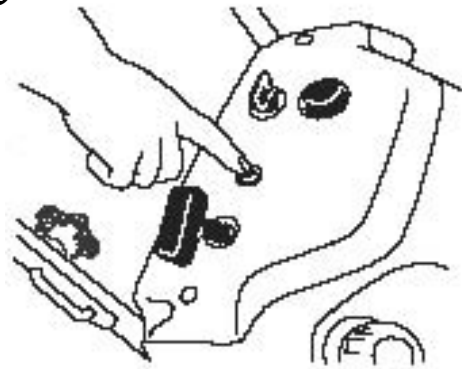


Fig. 6

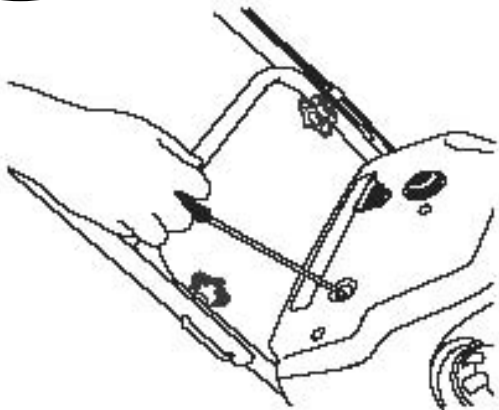
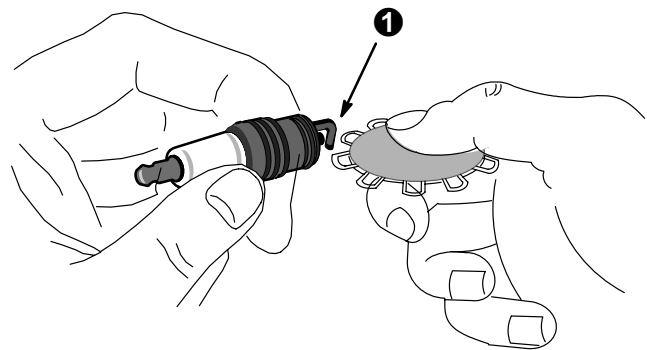


Fig. 7





Free Manuals Download Website

<http://myh66.com>

<http://usermanuals.us>

<http://www.somanuals.com>

<http://www.4manuals.cc>

<http://www.manual-lib.com>

<http://www.404manual.com>

<http://www.luxmanual.com>

<http://aubethermostatmanual.com>

Golf course search by state

<http://golfingnear.com>

Email search by domain

<http://emailbydomain.com>

Auto manuals search

<http://auto.somanuals.com>

TV manuals search

<http://tv.somanuals.com>