

BROAN[®]



May 2008



Almost everything normally placed in your kitchen garbage can be placed in a trash compactor, with the exception of paint, oil, aerosol cans and other hazardous materials.

Six bags reduced to one. And five fewer trips to the garage.

No one really talks about it. The waste can under the kitchen sink. It's a necessary evil, or so they say. But that all changes with a Broan Elite Trash Compactor.

Broan has been designing these convenience appliances for nearly 40 years, refining the product while defining the category. And the result? A new line of products that is the perfect complement to today's high-style appliances, and environmentally-conscious homeowners.

Broan Elite XE and Broan Elite trash compactors take convenience, hygiene and style to a new level. But beautiful lines, rich finishes and automatic cycling features are just part of the story.



Inside is a clean compartment, a crushing mechanism with 3,000 pounds of continual force, electronic controls, odor reduction systems and Microban® antimicrobial protection. But what you take outside is what really makes a difference.

Broan helps reduce your waste volume by 75%, and while that's fewer steps to the garage, it's also less volume at the curb, and a

smaller bundle in the truck that hauls it away. And

that's when it all makes sense: if everybody reduced volume, fewer trips would be needed to the landfill, which means less fuel, less traffic, and a cleaner environment all the way around. Who would have thought it all started under the kitchen sink?

A stainless steel Broan Elite XE dishwasher is integrated into a kitchen with dark wood cabinetry and a dark countertop. A wooden bowl of red apples sits on the counter above the dishwasher. The dishwasher has a curved handle and a control panel at the top edge.

Broan Elite XE

Beauty. Brawn. And intelligence, too.

Broan Elite XE models are available with an arched stainless steel door, as well as flat-front doors in stainless steel, white or black. For a custom look, a wood or tile insert tray lets you match the materials and cabinetry in your home. See pages 8 and 9 for more ideas.

Broan Elite XE. Beauty that performs—automatically. Broan makes everything about trash removal easier. It starts with a reversible door that opens like a refrigerator, simplifying access to an easy-to-reach and clean compartment. To handle the load, ball-bearing slides enable the trash bucket to glide out effortlessly. Our unique drop-down bucket front means there's no awkward lifting over the side, and conveniently placed electronic controls and our auto-delay function let you program the compactor to start when you're away. Then, the touch of a single button sets it for duty, and you can forget about it—you'll never come home to an overflowing waste receptacle again. But best of all, Broan Elite XE compactors keep odors in check. Our exclusive system actually helps eliminate odors by neutralizing them, rotates a fresh segment into place automatically every month, and lets you know when it's time for replacement.

Stainless Steel

Gloss White

Gloss Black



Broan Elite XE Features

3000 lbs. of continual compaction force and ¾ horsepower motor deliver powerful performance and 6 to 1 compaction ratio.

1.55 cubic foot, painted steel trash bucket holds 30 lbs. of compacted trash.

Programmable compaction cycle for automatic operation with 5-minute memory back-up during a power outage.

Six-month, auto advance, odor control system with disc change indicator.

Full extension, ball-bearing drawer slides.

Stainless steel compacting plate with Microban® antimicrobial protective coating.

Insulated door with magnetic gasket for quiet cycling.

Activation button with status LED.

Fully-enclosed, adjustable height, painted metal cabinet with fingerprint resistant coating.

Reversible 170° hinged door.

Child lock with removable key provides peace of mind.

Integral bag storage compartment means bags are always within reach.

Optional toe kick kit for freestanding installations (see page 10 for details).

MICROBAN is a registered trademark of the Microban Products Company

Full extension ball-bearing drawer slides



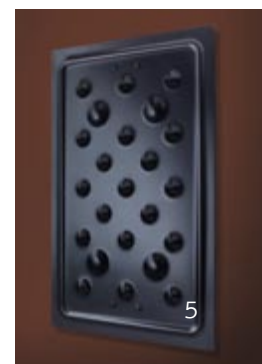
Programmable compaction cycle with five-minute memory back-up during power outage



A six-month, odor-reduction disc automatically advances and features a replacement indicator



Dimpled compacting plate with Microban® coating crushes bottles and cans





Proof that a trash compactor
can look smashing.

Broan Elite Trash Compactors feature flat-front doors in stainless steel, white or black. Choose a model with a door insert tray and add tile or a cabinet-matching wood panel, as shown here. See pages 8 and 9 for more ideas.

Broan Elite. Convenience made easy in a few simple steps. Like its more automated sibling, Broan Elite trash compactors simplify waste containment and removal. A full-swinging, reversible door opens to an easy-to-clean compartment and a full-extension trash bucket. Its simplified control panel requires just two settings to start the process. Turn the activation key, close the door and touch one button. That's it. Removing the compacted bag is easy, too—lower the bucket front and slide the bag forward to the floor. There's no more lifting over the side. Broan Elite compactors also use our exclusive six-month odor control and neutralizing system. Rotate the dial once a month and a fresh segment is ready to work.

Stainless Steel

Gloss White

Gloss Black



Broan Elite Features

3000 lbs. of continual compaction force and $\frac{3}{4}$ horsepower motor delivers powerful performance and 6 to 1 compaction ratio.

1.55 cubic foot, painted steel trash bucket holds 30 lbs. of compacted trash.

Six-month, manual advance, odor control system.

Full extension, ball-bearing drawer slides provide effortless gliding of trash bucket.

Painted steel compacting plate is specially designed to crush bottles and cans.

Magnetic door gasket for a positive seal.

Fully-enclosed, adjustable height, painted metal cabinet with fingerprint resistant coating.

Reversible 170° hinged door.

Child lock with removable key provides peace of mind.

Integral bag storage compartment means bags are always within reach.

Optional toe kick kit for freestanding installations (see page 10 for details).

Full extension ball-bearing drawer slides



Simplified two-step control panel



Dimpled compaction plate designed for crushing bottles and cans





Shown: Model 15XEWT

Personalize your style.

Broan trash compactors let you make your own design statement. If you prefer to have appliances blend in seamlessly with your cabinetry, select a trash compactor designed to accept a wood insert door front. Your cabinetmaker simply creates an insert with a profile that matches your doors or drawers.

To accent tile backsplashes or to carry the rich textures of the floor vertically, consider a compactor with a tile insert door front.

Of course, the coordinated look can be achieved as well with appliance matching solids in rich gloss black or white, or classic stainless steel. Whatever you choose, Broan has you covered.





Shown: Model 15XESSA

Broan Elite XE with Arched Stainless Steel Door
It's a distinctive appearance you'll find only from Broan.



Shown: Model 15XESS and 15SS

Broan Elite XE and Broan Elite with flat front stainless steel door.



Shown: Model 15XEWH and 15WH

Broan Elite XE and Broan Elite with flat front appliance matching Gloss White finish.



Shown: Model 15XEBL and 15BL

Broan Elite XE and Broan Elite with flat front appliance matching Gloss Black finish.





Shown: Model 15XEBL
 Toe Kick Kit: 15TCTK
 Butcher block cutting board: 15TCBB

Beauty that stands on its own.

When it's not convenient or possible for built-in installation, Broan Elite offers the perfect solution—a Toe Kick Kit that allows the compactor to stand alone. All models feature finger-print resistant finishes on the top and sides. Cap your compactor with our solid maple cutting board or create a custom top to match your existing décor.



Butcher block cutting board: 1004



Narrow Profile Trash Compactors

Our narrow profile compactors are just 12" wide, making it easy to find a place for them in any kitchen or pantry.

Compactor features:

- Swing away door
- Convenient toe release on models 1050 and 1051
- Compacting ram mechanism automatically reverses if the load is off center
- Models 1050 and 1051 can be used as a standalone unit with an optional cutting board top
- Models 1050 and 1051 come with a laminate, reversible-color door panel



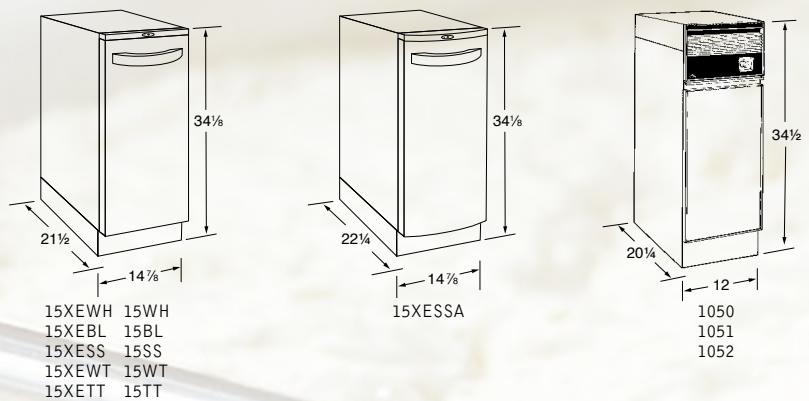
Specifications and Accessories

Broan Trash Compactors Specifications

Model Number	Door Width and Finish	Compacting Power	Motor Horse Power	Compacting Ratio	Dimensions	Electrical	Odor Control	Microban	Programmable Operation
Broan Elite XE									
15XEWB	15" Automatic Compactor, White Door	3000 lbs.	3/4 hp	6:1	14 $\frac{7}{8}$ " x 34 $\frac{1}{8}$ " x 21 $\frac{1}{2}$ "	120V	•	•	•
15XEBL	15" Automatic Compactor, Black Door	3000 lbs.	3/4 hp	6:1	14 $\frac{7}{8}$ " x 34 $\frac{1}{8}$ " x 21 $\frac{1}{2}$ "	120V	•	•	•
15XESS	15" Automatic Compactor, Stainless Steel Flat Door	3000 lbs.	3/4 hp	6:1	14 $\frac{7}{8}$ " x 34 $\frac{1}{8}$ " x 21 $\frac{1}{2}$ "	120V	•	•	•
15XESSA	15" Automatic Compactor, Stainless Steel Arched Door	3000 lbs.	3/4 hp	6:1	14 $\frac{7}{8}$ " x 34 $\frac{1}{8}$ " x 22 $\frac{1}{4}$ "	120V	•	•	•
15XEWT	15" Automatic Compactor, Wood Trim Door Pan	3000 lbs.	3/4 hp	6:1	14 $\frac{7}{8}$ " x 34 $\frac{1}{8}$ " x 21 $\frac{1}{2}$ "	120V	•	•	•
15XETT	15" Automatic Compactor, Tile Trim Door Pan	3000 lbs.	3/4 hp	6:1	14 $\frac{7}{8}$ " x 34 $\frac{1}{8}$ " x 21 $\frac{1}{2}$ "	120V	•	•	•
Broan Elite									
15WH	15" Compactor, White Door	3000 lbs.	3/4 hp	6:1	14 $\frac{7}{8}$ " x 34 $\frac{1}{8}$ " x 21 $\frac{1}{2}$ "	120V	•		
15BL	15" Compactor, Black Door	3000 lbs.	3/4 hp	6:1	14 $\frac{7}{8}$ " x 34 $\frac{1}{8}$ " x 21 $\frac{1}{2}$ "	120V	•		
15SS	15" Compactor, Stainless Steel Flat Door	3000 lbs.	3/4 hp	6:1	14 $\frac{7}{8}$ " x 34 $\frac{1}{8}$ " x 21 $\frac{1}{2}$ "	120V	•		
15WT	15" Compactor, Wood Trim Door Pan	3000 lbs.	3/4 hp	6:1	14 $\frac{7}{8}$ " x 34 $\frac{1}{8}$ " x 21 $\frac{1}{2}$ "	120V	•		
15TT	15" Compactor, Tile Trim Door Pan	3000 lbs.	3/4 hp	6:1	14 $\frac{7}{8}$ " x 34 $\frac{1}{8}$ " x 21 $\frac{1}{2}$ "	120V	•		
Broan									
1050	12" Compactor, Black/Bisque Reversible Door	3000 lbs.	1/3 hp	6:1	12" x 34 $\frac{1}{2}$ " x 20 $\frac{3}{4}$ "	120V			
1051	12" Compactor, Black/White Reversible Door	3000 lbs.	1/3 hp	6:1	12" x 34 $\frac{1}{2}$ " x 20 $\frac{3}{4}$ "	120V			
1052	12" Compactor, Stainless Steel Door	3000 lbs.	1/3 hp	6:1	12" x 34 $\frac{1}{2}$ " x 20 $\frac{3}{4}$ "	120V			

Accessories		
15TCBL	Compactor Bags for 15" models	60 per pack
1006	Compactor Bags for 12" models	120 per pack
15TCOD	Odor Control Disc	1 per pack
15CTK	Free standing Toe Kick Kit for 15" models	
15TCBB	Cutting Board (Butcher block) for 15" models	1 $\frac{1}{2}$ " Thick
1004	Cutting Board (Butcher block) for 12" models	1 $\frac{1}{2}$ " Thick

Dimensional Drawings



Broan. The leader in residential ventilation.



Broan® is America's leading brand of residential ventilation products including range hoods, decorative backsplashes, ventilation fans, heater/fan/light combination units, Indoor Air Quality (IAQ) Fresh Air Systems, built-in heaters, whole-house fans, attic ventilators and trash compactors.

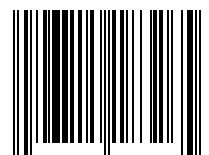
NuTone® is America's leading brand of residential built-in convenience products including door chimes, central vacuum systems, stereo intercom systems, ceiling fans, home theater speakers, bath cabinets, ironing centers and ventilation fans.

Broan and NuTone are proud to be ENERGY STAR® partners.

BROAN®

www.Broan.com

Broan-NuTone, LLC, 926 W. State Street, Hartford, WI 53027 • **800-558-1711**
In Canada call **888-882-7626**



0 26715 18326 5

Free Manuals Download Website

<http://myh66.com>

<http://usermanuals.us>

<http://www.somanuals.com>

<http://www.4manuals.cc>

<http://www.manual-lib.com>

<http://www.404manual.com>

<http://www.luxmanual.com>

<http://aubethermostatmanual.com>

Golf course search by state

<http://golfingnear.com>

Email search by domain

<http://emailbydomain.com>

Auto manuals search

<http://auto.somanuals.com>

TV manuals search

<http://tv.somanuals.com>