

**Brookstone**<sup>®</sup>  
A WORLD OF INNOVATION

Since 1965, people have come to Brookstone to see what's new, discover smart solutions to everyday problems—and have some fun. At Brookstone, we believe there's always a better way to do things. And we created a world of innovation to prove it.

**Brookstone**<sup>®</sup>

**Single Watch Winder**  
STORES AND WINDS ONE AUTOMATIC WATCH



Merrimack, New Hampshire USA 03054 ▪ 800-846-3000 ▪ [www.Brookstone.com](http://www.Brookstone.com)

617993

## TABLE OF CONTENTS

Location of Controls .....	2
Setting your Watch Winder .....	3
Daily Operation .....	4
Resetting the Timer .....	4
Care and Maintenance .....	4
Warnings and Cautions .....	5-8
Warranty .....	9-10

but Brookstone, in so far as permitted by law, provides these products “as is.” This warranty does not apply to: a) damage caused by failure to follow instructions relating to product’s use or the installation of components; b) damage caused by accident, abuse, misuse, fire, floods, earthquake or other external causes; c) damage caused by service performed by anyone who is not a representative of Brookstone; d) accessories used in conjunction with a covered product; e) a product or part that has been modified to alter functionality or capability; f) items intended to be periodically replaced by the purchaser during the normal life of the product including, without limitation, batteries or light bulbs; g) any product sold “as is” including, without limitation, floor demonstration models and refurbished items; or h) a product that is used commercially or for a commercial purpose.

**BROOKSTONE SHALL NOT BE LIABLE FOR INCIDENTAL OR CONSEQUENTIAL DAMAGES RESULTING FROM THE USE OF THIS PRODUCT, OR ARISING OUT OF ANY BREACH OF THIS WARRANTY. TO THE EXTENT PERMITTED BY APPLICABLE LAW, BROOKSTONE DISCLAIMS ANY AND ALL STATUTORY OR IMPLIED WARRANTIES, INCLUDING, WITHOUT LIMITATION, WARRANTIES OF MERCHANTABILITY, FITNESS FOR A PARTICULAR PURPOSE AND WARRANTIES AGAINST HIDDEN OR LATENT DEFECTS. IF BROOKSTONE CANNOT LAWFULLY DISCLAIM STATUTORY OR IMPLIED WARRANTIES, THEN TO THE EXTENT PERMITTED BY LAW, ALL SUCH WARRANTIES SHALL BE LIMITED IN DURATION TO THE DURATION OF THIS EXPRESS WARRANTY.**

Some states disallow the exclusion or limitation of incidental or consequential damages or how long an implied warranty lasts, so the above exclusions or limitations may not apply to you. This warranty gives you specific legal rights and you may also have other rights, which vary from state to state.

## ONE (1) YEAR LIMITED WARRANTY

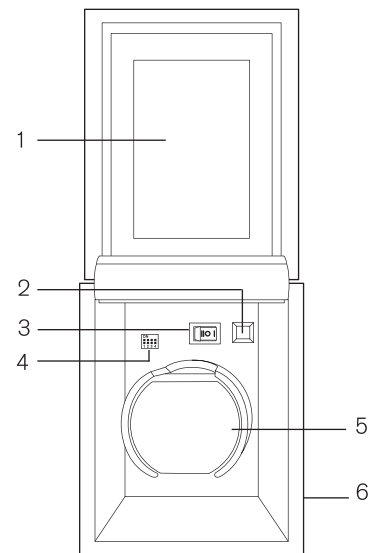
Brookstone® warrants this product against defects in materials and/or workmanship under normal use for a period of ONE (1) YEAR from the date of purchase by the original purchaser ("Warranty Period"). If a defect arises and a valid claim is received within the Warranty Period, at its option, Brookstone will either 1) repair the defect at no charge, using new or refurbished replacement parts, or 2) replace the product with a new product that is at least functionally equivalent to the original product, or 3) provide a store credit in the amount of the purchase price of the original product. A replacement product or part, including a user-installable part installed in accordance with instructions provided by Brookstone, assumes the remaining warranty of the original product. When a product or part is exchanged, any replacement item becomes your property and the replaced item becomes Brookstone's property. When a store credit is given, the original product must be returned to Brookstone and becomes Brookstone's property.

**Obtaining Service:** To obtain warranty service, call Brookstone Limited Warranty Service at 1-800-292-9819. Please be prepared to describe the product that needs service and the nature of the problem. A purchase receipt is required. All repairs and replacements must be authorized in advance. Service options, parts availability and response times will vary. You are responsible for delivery and the cost of delivery of the product or any parts to the authorized service center for replacement, per our instructions.

**Limits and Exclusions:** Coverage under this Limited Warranty is limited to the United States of America, including the District of Columbia and the U.S. Territories of Guam, Puerto Rico, and the U.S. Virgin Islands. This Limited Warranty applies only to products manufactured for Brookstone that can be identified by the "Brookstone" trademark, trade name, or logo affixed to them or their packaging. The Limited Warranty does not apply to any non-Brookstone products. Manufacturers or suppliers other than Brookstone may provide their own warranties to the purchaser,

## LOCATION OF CONTROLS

1. Main Housing Lid
2. On/Off Button
3. Directional Switch
4. TPD (Turns Per Day) Switch
5. Watch Cushion and Mount
6. Main Housing



## SETTING YOUR WATCH WINDER

The ON/OFF BUTTON controls the power of WATCH MOUNT.

The three-position DIRECTIONAL SWITCH controls the direction of winding:

- I Clockwise
- O Counterclockwise
- II Automatic Bidirectional

The four-position TPD (Turns Per Day) SWITCH controls the watch winding sequences. Please see sequence chart below.

TPD (Turns Per Day) SETTING							
<b>TPD</b> 650	<b>785</b>	<b>950</b>	<b>1150</b>	<b>1920</b>	<b>2107</b>	<b>2335</b>	<b>2618</b>
<b>Interval</b> 133 sec	110 sec	91 sec	75 sec	45 sec	41 sec	37 sec	33 sec
<b>From Start to Start</b>				<b>From Start to Start</b>			
<b>TPD</b> 1440	<b>1570</b>	<b>1728</b>	<b>1838</b>	<b>2787</b>	<b>2880</b>	<b>3600</b>	
<b>Interval</b> 60 sec	55 sec	50 sec	47 sec	31 sec	30 sec	24 sec	
<b>From Start to Start</b>				<b>From Start to Start</b>			

TPDs allow  $\pm$  3% variance.

Note: All switches in the down position while the main power is ON will result in constant motion.

11. Never operate this unit if it has a damaged cord or plug, if it is not working properly, or if it has been dropped or damaged, or dropped into water. If the unit's power supply cord or plug is damaged, do not attempt to fix it yourself.
12. To avoid the risk of electric shock, do not disassemble or attempt to repair the unit. Incorrect repair can cause risk of electric shock or injury to persons when unit is used.
13. Do not operate in the presence of explosive and/or flammable fumes.



## WARNING

1. Close supervision is necessary when this unit is used by or near children.
2. Use this unit only for its intended use as described in this manual.
3. Unplug this unit during lightning storms or when unused for long periods of time.
4. Never drop or insert an object into any opening.
5. Protect the power cord from being walked on or pinched, particularly at plug outlets, convenience receptacles and the point where it exits the unit.
6. Do not allow cord to touch hot surfaces. Wrap cord loosely around the unit when storing.
7. The unit should be situated away from direct sunlight or heat sources such as radiators, electric heaters, heat registers, stoves, or other units (including amplifiers) that produce heat. Avoid placing on top of stereo equipment that radiates heat.
8. Never block the air openings of the unit with materials such as clothing, plastic bags or papers, or place it on a soft surface such as a bed or couch, where the air openings may be blocked.
9. Do not overload electrical outlet. Use only the power source as indicated.
10. Do not carry this unit by cord or use cord as handle.



## DAILY OPERATION

1. Plug Adapter into connection on the bottom of the unit, being careful not to scratch the finish as you turn the unit over, and plug into wall outlet.
  2. Pull WATCH CUSHION off WATCH MOUNT.
  3. Affix watch around WATCH MOUNT with the watch face on top and secure with WATCH CUSHION.
  4. Choose desired direction from the list on page 3 and adjust the DIRECTIONAL SWITCH accordingly.
  5. Choose desired sequence and adjust the TPD SWITCH accordingly.
- Note:** If you do not know what direction or how many TPD your watch requires, begin with the first, most popular settings (650-1150 TPD).
6. Turn power on with the ON/OFF BUTTON.
  7. Repeat steps 2 through 6 for the second WATCH MOUNT to wind an additional timepiece.

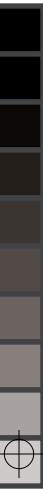
**Note:** Do not insert or remove any watch while mechanism is turning.

## RESETTING THE TIMER

To reset the timer, switch the power off then unplug the Adapter from the back of the winder for 3 seconds. Insert Adapter back into winder and switch the power on.

## CARE AND MAINTENANCE

Wipe with a soft, dry cloth. Do not use abrasive cleaning agents.





## CAUTION

- TO REDUCE THE RISK OF ELECTRIC SHOCK, DO NOT REMOVE COVER. THERE ARE NO SERVICEABLE PARTS INSIDE.
- TO REDUCE THE RISK OF FIRE OR ELECTRIC SHOCK, DO NOT EXPOSE THIS UNIT TO RAIN OR MOISTURE.



The lightning flash with arrow-head symbol within an equilateral triangle is intended to alert the user to the presence of uninsulated "dangerous voltage" within the unit's enclosure that may be of sufficient magnitude to constitute a risk of electric shock.



The exclamation point within an equilateral triangle is intended to alert the user to the presence of important operating and maintenance (servicing) instructions in the literature accompanying the unit.

## IMPORTANT SAFETY INSTRUCTIONS

All the safety and operating instructions should be read, adhered to and followed before the unit is operated.

## DANGER

To reduce the risk of electric shock, burns, fire or injury:

- Always unplug the unit from the electrical outlet immediately after using.
- Do not use while bathing or in a shower.
- Do not place or store unit where it can fall or be pulled into a tub or sink.
- Do not place in or drop into water or other liquid.
- Do not reach for unit that has fallen into water. Unplug it immediately.
- Care should be taken so that objects do not fall and liquids are not spilled onto the unit.



## Free Manuals Download Website

<http://myh66.com>

<http://usermanuals.us>

<http://www.somanuals.com>

<http://www.4manuals.cc>

<http://www.manual-lib.com>

<http://www.404manual.com>

<http://www.luxmanual.com>

<http://aubethermostatmanual.com>

Golf course search by state

<http://golfingnear.com>

Email search by domain

<http://emailbydomain.com>

Auto manuals search

<http://auto.somanuals.com>

TV manuals search

<http://tv.somanuals.com>