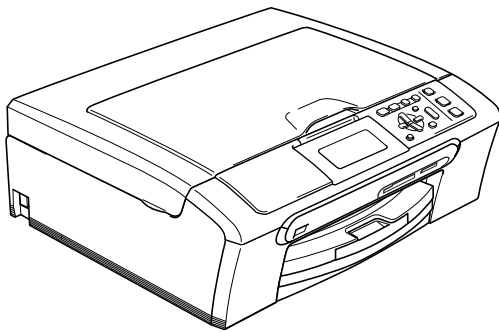


brother®

# USER'S GUIDE

---



DCP-770CW



## **If you need to call Customer Service**

**Please complete the following information for future reference:**

**Model Number: DCP-770CW**

**Serial Number: <sup>1</sup> \_\_\_\_\_**

**Date of Purchase: \_\_\_\_\_**

**Place of Purchase: \_\_\_\_\_**

**<sup>1</sup> The serial number is on the back of the unit. Retain this User's Guide with your sales receipt as a permanent record of your purchase, in the event of theft, fire or warranty service.**

**Register your product on-line at**

**<http://www.brother.com/registration/>**

By registering your product with Brother, you will be recorded as the original owner of the product. Your registration with Brother:

- may serve as confirmation of the purchase date of your product should you lose your receipt; and
- may support an insurance claim by you in the event of product loss covered by insurance.

© 2007 Brother Industries, Ltd.

# Compilation and Publication Notice

Under the supervision of Brother Industries Ltd., this manual has been compiled and published, covering the latest product descriptions and specifications.

The contents of this manual and the specifications of this product are subject to change without notice.

Brother reserves the right to make changes without notice in the specifications and materials contained herein and shall not be responsible for any damages (including consequential) caused by reliance on the materials presented, including but not limited to typographical and other errors relating to the publication.

# EC Declaration of Conformity under the R & TTE Directive



## EC Declaration of Conformity

### Manufacturer

Brother Industries, Ltd.  
15-1, Naeshiro-cho, Mizuho-ku, Nagoya 467-8561, Japan

### Plant

Brother Industries (Shen Zhen) Ltd  
G02414-1, Bao Chang Li Bonded Transportation Industrial Park,  
Bao Long Industrial Estate, Longgang, Shenzhen, China

Herewith declare that:

Products description : Copier Printer  
Model Name : DCP-770CW

is in conformity with provisions of the R & TTE Directive (1999/5/EC) and we declare compliance with the following standards :

Standards applied :

Harmonized : Safety EN60950-1:2001+A11:2004

EMC EN55022: 1998 +A1: 2000 +A2: 2003 Class B  
EN55024: 1998 +A1: 2001 +A2: 2003  
EN61000-3-2: 2006  
EN61000-3-3: 1995 +A1: 2001

Radio EN301 489-1 V1.6.1  
EN301 489-17 V1.2.1  
EN300 328 V1.6.1

Year in which CE marking was first affixed : 2007

Issued by : Brother Industries, Ltd.

Date : 28th April, 2007

Place : Nagoya, Japan

Signature :

Junji Shiota  
General Manager  
Quality Management Dept.  
Printing & Solutions Company

# Table of Contents

## Section I General

<b>1</b>	<b>General Information</b>	<b>2</b>
	Using the documentation.....	2
	Symbols and conventions used in the documentation .....	2
	Accessing the Software User's Guide and Network User's Guide .....	3
	Viewing Documentation .....	3
	Control panel overview .....	6
	LCD display indications .....	7
	Basic Operations .....	7
	Warning LED indications .....	8
	Printing Reports.....	8
<b>2</b>	<b>Loading documents and paper</b>	<b>9</b>
	Loading documents .....	9
	Using the scanner glass .....	9
	Scannable area .....	9
	Acceptable paper and other media.....	10
	Recommended media .....	10
	Handling and using media .....	11
	Choosing the right media.....	12
	Loading paper and other media.....	14
	Loading envelopes and post cards.....	16
	Loading photo paper.....	17
	Removing small printouts from the machine .....	18
	Printable area .....	19
<b>3</b>	<b>General setup</b>	<b>20</b>
	Paper settings.....	20
	Paper Type .....	20
	Paper Size .....	20
	LCD display .....	21
	LCD Contrast.....	21
	Setting the backlight brightness.....	21
	Setting the Dim Timer for the backlight .....	22
	Setting the Off Timer .....	22

## Section II Copy

<b>4</b>	<b>Making copies</b>	<b>24</b>
	How to copy .....	24
	Making a single copy .....	24
	Making multiple copies .....	24
	Stop copying .....	24
	Copy options .....	24
	Changing copy speed and quality .....	25
	Enlarging or reducing the image copied .....	25
	Making N in 1 copies or a poster (page layout) .....	26
	Adjusting Brightness, Contrast and Colour .....	27
	Paper options .....	28
	Setting your changes as a new default .....	28
	Restoring all settings to the factory settings .....	28

## Section III Direct Photo Printing

<b>5</b>	<b>Printing photos from a memory card or USB Flash memory drive</b>	<b>30</b>
	PhotoCapture Center™ Operations .....	30
	Printing from a memory card or USB Flash memory drive without a PC .....	30
	Scanning to a memory card or USB Flash memory drive without a PC .....	30
	Using PhotoCapture Center™ from your computer .....	30
	Using a memory card or USB Flash memory drive .....	30
	Memory cards or a USB Flash memory drive folder structure .....	31
	Getting started .....	32
	Entering PhotoCapture mode .....	33
	Print Images .....	33
	View Photo(s) .....	33
	Print Index (Thumbnails) .....	34
	Print Photos .....	34
	Photo Effects .....	35
	Search by Date .....	38
	Print All Photos .....	39
	Slide show .....	39
	Trimming .....	40
	DPOF printing .....	40
	PhotoCapture Center™ print settings .....	41
	Print Speed and Quality .....	42
	Paper options .....	42
	Adjusting Brightness, Contrast and Colour .....	43
	Cropping .....	44
	Borderless printing .....	44
	Setting your changes as a new default .....	44
	Restoring all settings to the factory settings .....	44
	Scan to a memory card or USB Flash memory drive .....	45
	Entering Scan mode .....	45
	How to scan to a memory card or USB Flash memory drive .....	45
	Understanding the Error Messages .....	46

<b>6</b>	<b>Printing photos from a camera</b>	<b>47</b>
	Printing photos directly from a PictBridge camera.....	47
	PictBridge requirements .....	47
	Setting your digital camera .....	47
	Printing Images.....	48
	DPOF printing.....	48
	Printing photos directly from a digital camera (without PictBridge).....	49
	Printing Images.....	49
	Understanding the Error Messages .....	50

## Section IV Software

<b>7</b>	<b>Software and Network features</b>	<b>52</b>
----------	--------------------------------------	-----------

## Section V Appendixes

<b>A</b>	<b>Safety and Legal</b>	<b>54</b>
----------	-------------------------	-----------

	Choosing a location .....	54
	To use the machine safely.....	55
	Important safety instructions.....	58
	IMPORTANT - For your safety .....	59
	LAN connection .....	59
	Radio interference .....	59
	EU Directive 2002/96/EC and EN50419.....	60
	Legal limitations for copying .....	60
	Trademarks .....	61

<b>B</b>	<b>Troubleshooting and Routine Maintenance</b>	<b>62</b>
----------	------------------------------------------------	-----------

	Troubleshooting .....	62
	If you are having difficulty with your machine .....	62
	Error messages .....	66
	Changing LCD language .....	68
	Error animation .....	68
	Printer jam or paper jam .....	68
	Routine maintenance.....	70
	Replacing the ink cartridges .....	70
	Cleaning the outside of the machine .....	73
	Cleaning the scanner.....	73
	Cleaning the machine printer platen.....	74
	Cleaning the paper pick-up roller.....	74
	Cleaning the print head .....	75
	Checking the print quality .....	76
	Checking the print alignment.....	77
	Checking the ink volume .....	77
	Machine Information .....	78
	Checking the serial number.....	78
	Packing and shipping the machine .....	78

<b>C</b>	<b>Menu and Features</b>	<b>80</b>
	On-screen programming .....	80
	Menu table .....	80
	Mode and menu keys .....	80
	Menu table .....	81
<b>D</b>	<b>Specifications</b>	<b>90</b>
	General .....	90
	Print media .....	91
	Copy .....	92
	PhotoCapture Center™ .....	93
	PictBridge .....	94
	Scanner .....	95
	Printer .....	96
	Interfaces .....	97
	Computer requirements .....	98
	Consumable items .....	99
	Network (LAN) .....	100
<b>E</b>	<b>Glossary</b>	<b>101</b>
<b>F</b>	<b>Index</b>	<b>102</b>





# General

---

<b>General Information</b>	2
<b>Loading documents and paper</b>	9
<b>General setup</b>	20

## Using the documentation

Thank you for buying a Brother machine! Reading the documentation will help you make the most of your machine.

## Symbols and conventions used in the documentation

---

The following symbols and conventions are used throughout the documentation.

<b>Bold</b>	Bold typeface identifies specific keys on the machine's control panel.
<i>Italics</i>	Italicized typeface emphasizes an important point or refers you to a related topic.
<code>Courier New</code>	Text in the Courier New font identifies messages on the LCD of the machine.



Warnings tell you what to do to prevent possible personal injury.



Electrical Hazard icons alert you to possible electrical shock.



Cautions specify procedures you must follow or avoid to prevent possible damage to the machine or other objects.



Notes tell you how you should respond to a situation that may arise or give tips about how the operation works with other features.



Improper Setup icons alert you to devices and operations that are not compatible with the machine.

# Accessing the Software User's Guide and Network User's Guide

This User's Guide does not contain all the information about the machine such as how to use the advanced features of Printer, Scanner and Network. When you are ready to learn detailed information about these operations, read the **Software User's Guide** and **Network User's Guide**.

## Viewing Documentation

### Viewing Documentation (For Windows®)

To view the documentation, from the **Start** menu, point to **Brother, DCP-770** from the programs group, and then choose **User's Guides** in HTML format.

If you have not installed the software, you can find the documentation by following the instructions below:

- 1 Turn on your PC. Insert the Brother CD-ROM into your CD-ROM drive.
- 2 If the model name screen appears, click your model name.

- 3 If the language screen appears, click your language. The CD-ROM main menu will appear.



### Note

If this window does not appear, use Windows® Explorer to run the start.exe program from the root directory of the Brother CD-ROM.

- 4 Click **Documentation**.
- 5 Click the documentation you want to read.
  - **HTML documents: Software User's Guide and Network User's Guide** in HTML format.  
This format is recommended for viewing on your computer.
  - **PDF documents: User's Guide** for stand-alone operations, **Software User's Guide** and **Network User's Guide** in PDF format.  
This format is recommended for printing the manuals. Click to go to the Brother Solutions Center, where you can view or download the PDF documents. (Internet access and PDF Reader software are required.)

## How to find Scanning instructions

There are several ways you can scan documents. You can find the instructions as follows:

### Software User's Guide

- **Scanning**

(For Windows® 2000 Professional/Windows® XP and Windows Vista™)

- **ControlCenter3**

(For Windows® 2000 Professional/Windows® XP and Windows Vista™)

- **Network Scanning**

### Scansoft™ PaperPort™ 11SE with OCR How-to-Guides

- The complete ScanSoft™ PaperPort™ 11SE with OCR How-to-Guides can be viewed from the Help selection in the ScanSoft™ PaperPort™ 11SE with OCR application.

## How to find Network setup instructions

Your machine can be connected to a wireless or wired network. You can find basic setup instructions in the Quick Setup Guide. For more information, or if your access point supports SecureEasySetup™ or AOSS™, please see the Network User's Guide.

## Viewing Documentation (For Macintosh®)

- 1 Turn on your Macintosh®. Insert the Brother CD-ROM into your CD-ROM drive. The following window will appear.



- 2 Double-click the **Documentation** icon.
- 3 Double-click your language folder.
- 4 Double-click the top page file to view the **Software User's Guide** and **Network User's Guide** in HTML format.
- 5 Click the documentation you want to read.
  - **Software User's Guide**
  - **Network User's Guide**

## How to find Scanning instructions

There are several ways you can scan documents. You can find the instructions as follows:

### Software User's Guide

- *Scanning*  
(For Mac OS® X 10.2.4 or greater)
- *ControlCenter2*  
(For Mac OS® X 10.2.4 or greater)
- *Network Scanning*  
(For Mac OS® X 10.2.4 or greater)

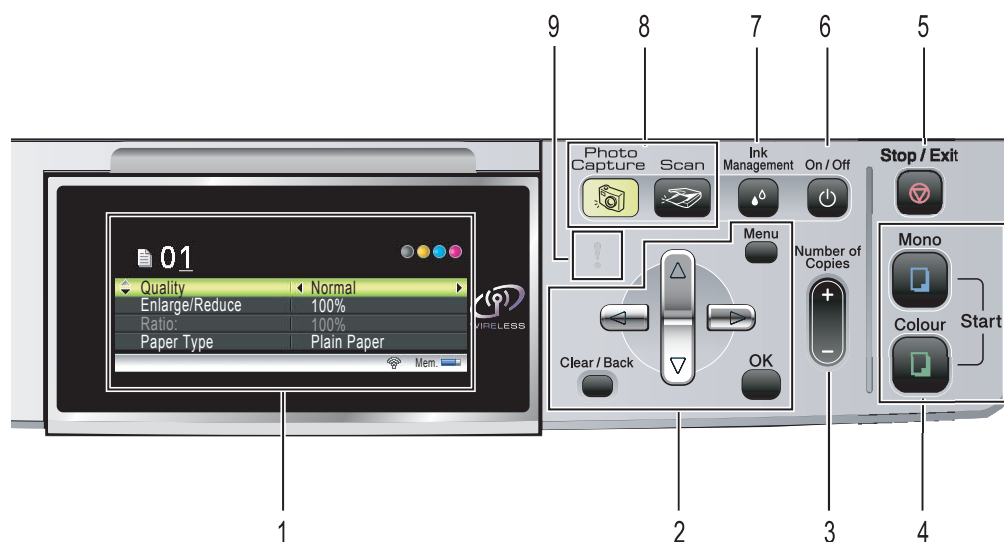
### Presto!® PageManager® User's Guide

- The complete Presto!® PageManager® User's Guide can be viewed from the Help selection in the Presto!® PageManager® application.

## How to find Network setup instructions

Your machine can be connected to a wireless or wired network. You can find basic setup instructions in the Quick Setup Guide. For more information, or if your access point supports SecureEasySetup™ or AOSS™, please see the Network User's Guide.

# Control panel overview



## 1 LCD (liquid crystal display)

Displays messages on the screen to help you set up and use your machine.

Also, you can adjust the angle of the LCD display by lifting it.

## 2 Menu keys:

### ■ ◀ or ▶

Press to scroll backward or forward to a menu selection.

Also, press to choose options.

### ■ ▲ or ▼

Press to scroll through the menus and options.

### ■ Clear/Back

Press to cancel the current setting.

### ■ Menu

Lets you access the main menu to program the machine.

### ■ OK

Lets you choose a setting.

## 3 Number of Copies

Use this key to make multiple copies.

## 4 Start keys:

### ■ Colour Start

Lets you start making copies in full colour. Also lets you start a scanning operation (in colour or mono, depending on the scanning setting in the ControlCenter software).

### ■ Mono Start

Lets you start making copies in monochrome. Also lets you start a scanning operation (in colour or mono, depending on the scanning setting in the ControlCenter software).

## 5 Stop/Exit

Stops an operation or exits from a menu.

## 6 On/Off

You can turn the machine on and off.

If you turn the machine off, it will still periodically clean the print head to maintain print quality.

## 7 Ink Management

Lets you clean the print head, check the print quality, and check the available ink volume.

## 8 Mode keys:

### ■ Scan

Lets you access Scan mode.

### ■ PhotoCapture

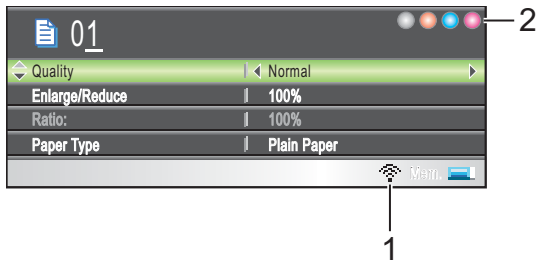
Lets you access PhotoCapture Center™ mode.

## 9 Warning LED

Turns red when the LCD displays an error or an important status message.

## LCD display indications

The LCD display screen shows the mode the machine is in, the current settings, and the available ink volume.



### 1 Wireless Status

A four level indicator shows the current wireless signal strength if you are using a wireless connection.



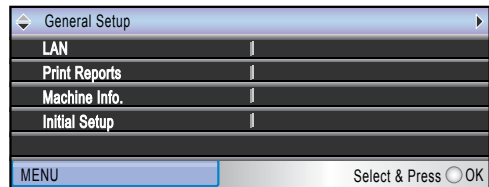
### 2 Ink indicator

Lets you see the available ink volume.

## Basic Operations

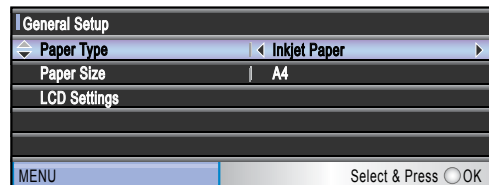
The following steps show how to change a setting in the machine. In this example the Paper Type setting is changed from Plain Paper to Inkjet Paper.

- 1 Press **Menu**.
- 2 Press **▲** or **▼** to choose General Setup.



Press **OK**.

- 3 Press **▲** or **▼** to choose Paper Type.
- 4 Press **◀** or **▶** to choose Inkjet Paper. Press **OK**.  
You can see the current setting on the LCD:



- 5 Press **Stop/Exit**.

## Warning LED indications

The Warning LED (light emitting diode) is a light that shows the status of the machine, as shown in the table.



LED	DCP status	Description
Off	Ready	The DCP is ready for use.
Red	Cover open	The cover is open. Close the cover. (See <i>Error messages</i> on page 66.)
	Ink empty	Replace the Ink cartridge with a new one. (See <i>Replacing the ink cartridges</i> on page 70.)
	Paper error	Put paper in the tray or clear the paper jam. Check the LCD message. (See <i>Error messages</i> on page 66.)
	Other messages	Check the LCD message. (See <i>Error messages</i> on page 66.)

## Printing Reports

The following reports are available:

- **Help List**  
A help list about how to quickly program your machine.
- **User Settings**  
Lists your settings.
- **Network Config**  
Lists your Network settings.

### How to print a report

- 1 Press **Menu**.
- 2 Press **▲** or **▼** to choose **Print Reports**. Press **OK**.
- 3 Press **▲** or **▼** to choose the report you want. Press **OK**.
- 4 Press **Mono Start**.



# 2

## Loading documents and paper

### Loading documents

You can make copies, and scan from the scanner glass.

### Using the scanner glass

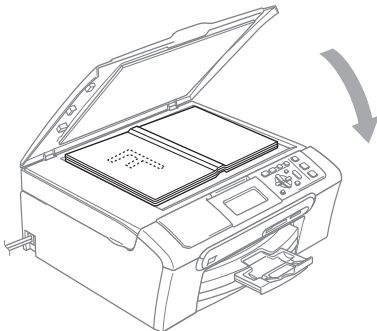
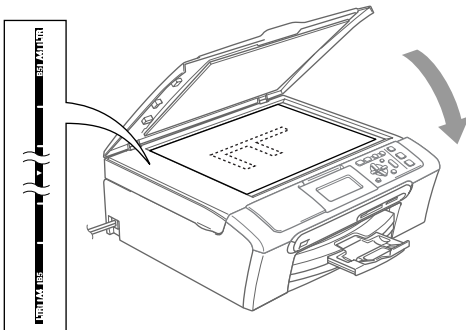
You can use the scanner glass to copy or scan pages of a book or one page at a time.

### Document Sizes Supported

Length:	Up to 297 mm
Width:	Up to 215.9mm
Weight:	Up to 2 kg

### How to load documents

- 1 Lift the document cover.
- 2 Using the document guidelines on the left, center the document face down on the scanner glass.



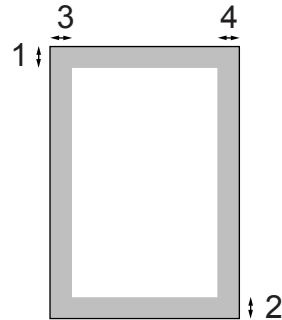
- 3 Close the document cover.

### CAUTION

If you are scanning a book or thick document, DO NOT slam the cover down or press on it.

### Scannable area

The scannable area depends on the settings in the application you are using. The figures below show the areas you cannot scan on A4 or Letter paper.



Usage	Document Size	Top (1) Bottom (2)	Left (3) Right (4)
Copy	Letter	3 mm	3 mm
	A4	3 mm	3 mm
Scan	Letter	3 mm	3 mm
	A4	3 mm	0 mm

## Acceptable paper and other media

The print quality can be affected by the type of paper you are using in the machine.

To get the best print quality for the settings you have chosen, always set the Paper Type to match the type of paper you load.

You can use plain paper, inkjet paper (coated paper), glossy paper, transparencies and envelopes.

We recommend testing various paper types before buying large quantities.

For best results, use the Brother paper.

- When you print on inkjet paper (coated paper), transparencies and photo paper, be sure to choose the correct media in the **'Basic'** tab of the printer driver or in the Paper Type setting of the menu (See *Paper Type* on page 28).
- When you print on Brother photo paper, load the instruction sheet included with the photo paper in the paper tray first, and then put the photo paper on top of the instruction sheet.
- When you use transparencies or photo paper, remove each sheet at once to prevent smudging or paper jams.
- Avoid touching the printed surface of the paper immediately after printing; the surface may not be completely dry and may stain your fingers.

## Recommended media

To get the best print quality, we suggest using Brother paper. (See table below.)

If Brother paper is not available in your country, we recommend testing various papers before purchasing large quantities.

We recommend using '3M Transparency Film' when you print on transparencies.

### Brother paper

Paper Type	Item
A4 Plain	BP60PA
A4 Glossy Photo	BP61GLA
A4 Inkjet (Matte)	BP60MA
10 x 15 cm Glossy Photo	BP61GLP

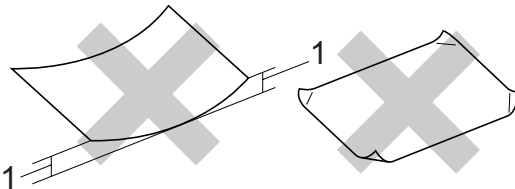
## Handling and using media

- Store paper in its original packaging, and keep it sealed. Keep the paper flat and away from moisture, direct sunlight and heat.
- The coated side of photo paper is shiny. Avoid touching the shiny (coated) side. Load photo paper with the shiny side facing down.
- Avoid touching either side of transparencies because they absorb water and perspiration easily, and this may cause decreased output quality. Transparencies designed for laser printers/copiers may stain your next document. Use only transparencies recommended for inkjet printing.

### Improper Setup

DO NOT use the following kinds of paper:

- Damaged, curled, wrinkled, or irregularly shaped paper



#### 1 2 mm or longer

- Extremely shiny or highly textured paper
- Paper already printed on by a printer
- Paper that cannot be arranged uniformly when stacked
- Paper made with a short grain

## Paper capacity of the output paper tray

Up to 50 sheets of 20 lb Letter or 80 g/m<sup>2</sup> A4 paper.

- Transparencies or photo paper must be picked up from the output paper tray one page at a time to avoid smudging.

## Choosing the right media

### Paper type and size for each operation

Paper Type	Paper Size		Usage		
			Copy	Photo Capture	Printer
Cut Sheet	Letter	216 × 279 mm (8 1/2 × 11 in.)	Yes	Yes	Yes
	A4	210 × 297 mm (8.3 × 11.7 in.)	Yes	Yes	Yes
	Legal	216 × 356 mm (8 1/2 × 14 in.)	Yes	–	Yes
	Executive	184 × 267 mm (7 1/4 × 10 1/2 in.)	–	–	Yes
	JIS B5	182 × 257 mm (7.2 × 10.1 in.)	–	–	Yes
	A5	148 × 210 mm (5.8 × 8.3 in.)	Yes	–	Yes
	A6	105 × 148 mm (4.1 × 5.8 in.)	–	–	Yes
Cards	Photo	10 × 15 cm (4 × 6 in.)	Yes	Yes	Yes
	Photo L	89 × 127 mm (3 1/2 × 5 in.)	–	–	Yes
	Photo 2L	13 × 18 cm (5 × 7 in.)	–	Yes	Yes
	Index Card	127 × 203 mm (5 × 8 in.)	–	–	Yes
	Post Card 1	100 × 148 mm (3.9 × 5.8 in.)	–	–	Yes
	Post Card 2 (Double)	148 × 200 mm (5.8 × 7.9 in.)	–	–	Yes
Envelopes	C5 Envelope	162 × 229 mm (6.4 × 9 in.)	–	–	Yes
	DL Envelope	110 × 220 mm (4.3 × 8.7 in.)	–	–	Yes
	COM-10	105 × 241 mm (4 1/8 × 9 1/2 in.)	–	–	Yes
	Monarch	98 × 191 mm (3 7/8 × 7 1/2 in.)	–	–	Yes
	JE4 Envelope	105 × 235 mm (4.1 × 9.3 in.)	–	–	Yes
Transparencies	Letter	216 × 279 mm (8 1/2 × 11 in.)	Yes	–	Yes
	A4	210 × 297 mm (8.3 × 11.7 in.)	Yes	–	Yes

## Paper weight, thickness and capacity

Paper Type		Weight	Thickness	No. of sheets
Cut Sheet	Plain Paper	64 to 120 g/m <sup>2</sup>	0.08 to 0.15 mm	100 <sup>1</sup>
	Inkjet Paper	64 to 200 g/m <sup>2</sup>	0.08 to 0.25 mm	20
	Glossy Paper	Up to 220 g/m <sup>2</sup>	Up to 0.25 mm	20 <sup>2</sup>
Cards	Photo Card	Up to 220 g/m <sup>2</sup>	Up to 0.25 mm	20 <sup>2</sup>
	Index Card	Up to 120 g/m <sup>2</sup>	Up to 0.15 mm	30
	Post Card	Up to 200 g/m <sup>2</sup>	Up to 0.23 mm	30
Envelopes		75 to 95 g/m <sup>2</sup>	Up to 0.52 mm	10
Transparencies		–	–	10

<sup>1</sup> Up to 50 sheets for Legal size paper 80 g/m<sup>2</sup>.

Up to 100 sheets of A4 80 g/m<sup>2</sup> paper.

<sup>2</sup> For Photo 10×15cm and Photo L paper, use the photo paper tray. (See *Loading photo paper* on page 17.)

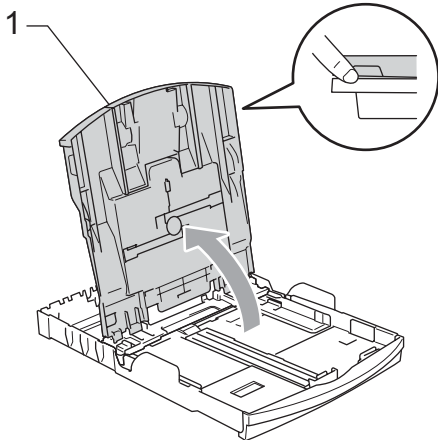
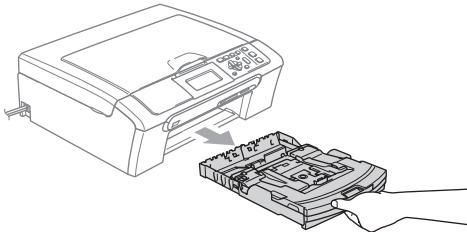
# Loading paper and other media



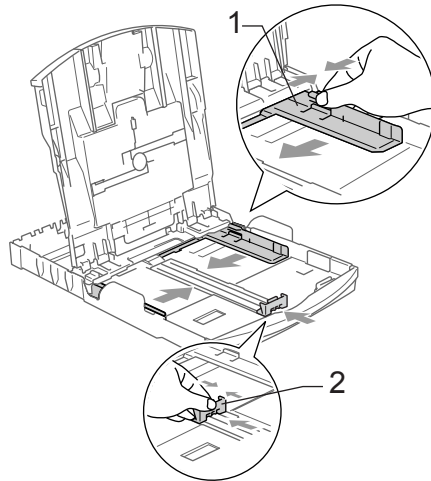
## Note

To print on Photo L or 10 x 15 cm paper, you must use the photo paper tray. (See *Loading photo paper* on page 17.)

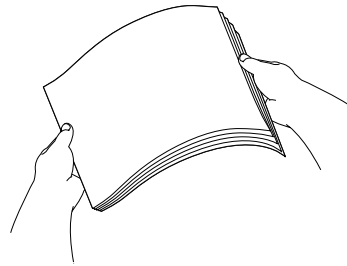
- 1 If the paper support flap is open, close it, and then pull the paper tray completely out of the machine. Lift the output paper tray cover (1).



- 2 Press and slide the paper side guides (1) and paper length guide (2) to fit the paper size.



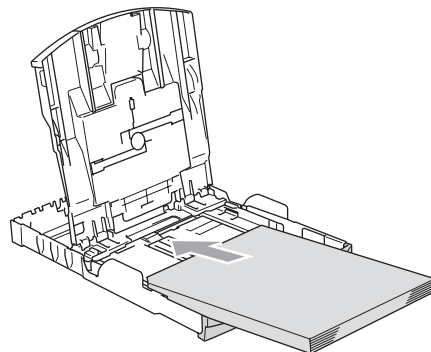
- 3 Fan the stack of paper well to avoid paper jams and misfeeds.



## Note

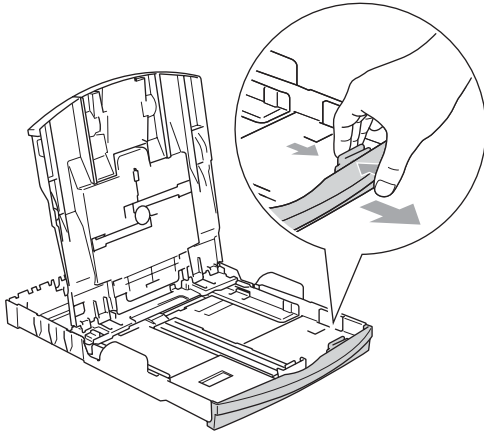
Always make sure that the paper is not curled.

- 4 Gently put the paper into the paper tray print side down and top edge first. Check that the paper is flat in the tray.

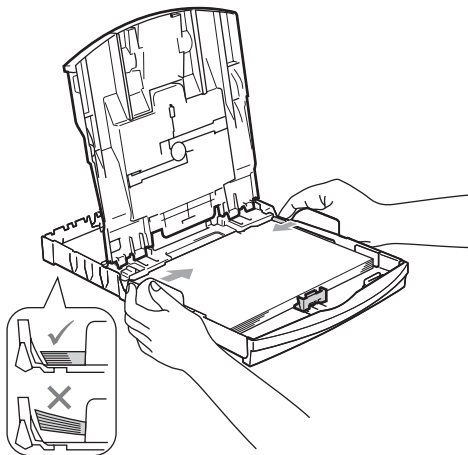


**Note**

When you use Legal size paper, press and hold the universal guide release button as you slide out the front of the paper tray.

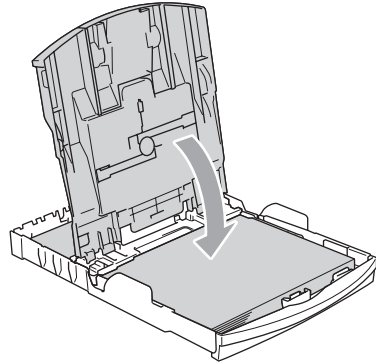


- 5 Gently adjust the paper side guides to the paper with both hands. Make sure the paper side guides touch the sides of the paper.

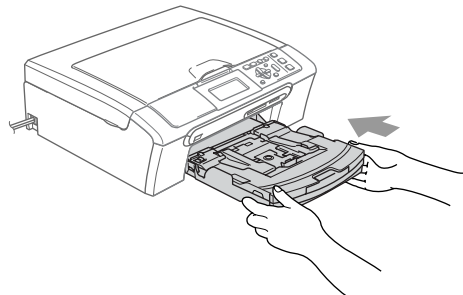
**Note**

Be careful that you do not push the paper in too far; it may lift at the back of the tray and cause feed problems.

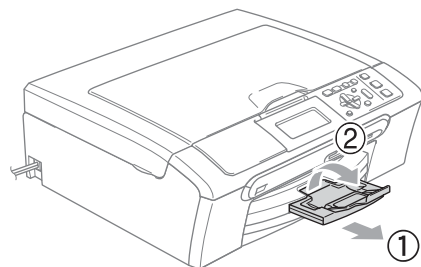
- 6 Close the output paper tray cover.



- 7 Slowly push the paper tray completely into the machine.



- 8 While holding the paper tray in place, pull out the paper support (1) until it clicks and unfold the paper support flap (2).

**Note**

Do not use the paper support flap for Legal paper.

## Loading envelopes and post cards

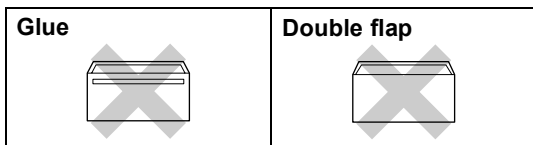
### About envelopes

- Use envelopes that weigh from 75 to 95 g/m<sup>2</sup>.
- Some envelopes need margin settings to be set in the application. Make sure you do a test print first.

### ! CAUTION

DO NOT use any of the following types of envelopes, as they will cause paper feed problems:

- That are of a baggy construction.
- That are embossed (have raised writing on them).
- That have clasps or staples.
- That are pre-printed on the inside.



Occasionally you may experience paper feed problems caused by the thickness, size and flap shape of the envelopes you are using.

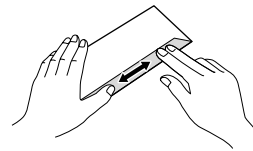
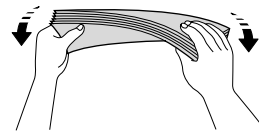
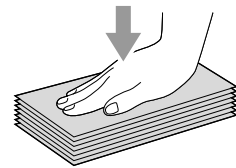
### How to load envelopes and post cards

- 1 Before loading, press the corners and sides of the envelopes or post cards to make them as flat as possible.

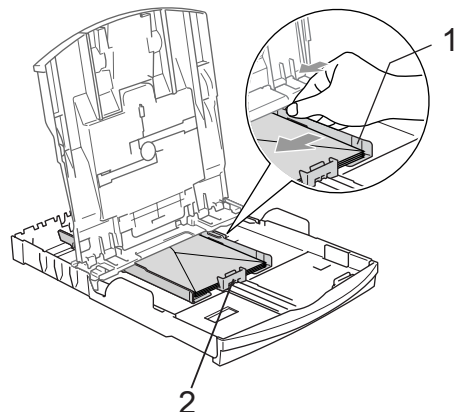


#### Note

If the envelopes or post cards are 'double-feeding,' put one envelope or post card in the paper tray at a time.



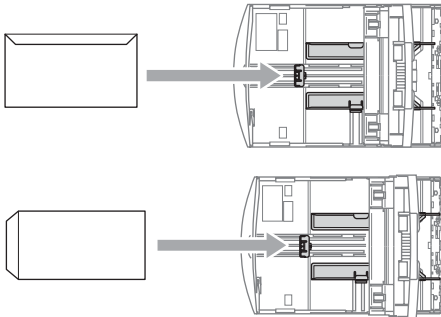
- 2 Put the envelopes or post cards into the paper tray with the address side down and the leading edge in first as shown in the illustration. Slide the paper side guides (1) and paper length guide (2) to fit the size of the envelopes or post cards.





### If you have problems when printing on envelopes, try the following suggestions:

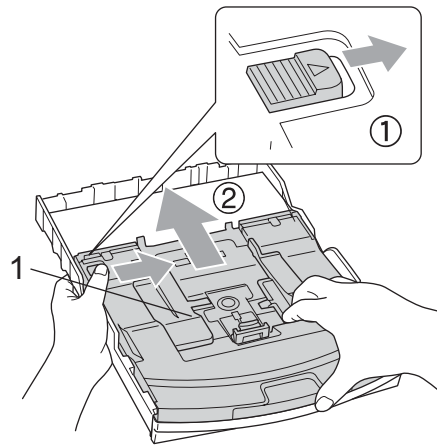
- 1 Open the envelope flap.
- 2 Make sure the open flap is either to the side of the envelope or to the back edge of the envelope when printing.
- 3 Adjust the size and margin in your application.



## Loading photo paper

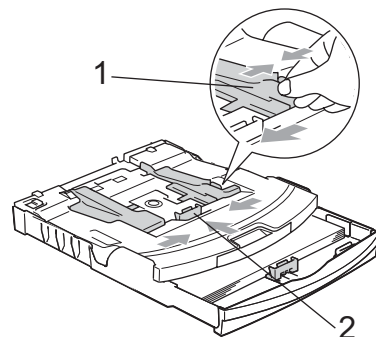
Use the photo paper tray which has been assembled on the top of the output paper tray cover to print on photo 10 × 15 cm and photo L size paper. When you use the photo paper tray, you do not have to take out the paper that is in the tray beneath it.

- 1 Press the photo paper tray release button with your left thumb and push the photo paper tray backward until it clicks into the photo printing position.



### 1 Photo Paper Tray

- 2 Press and slide the paper side guides (1) and paper length guide (2) to fit the paper size.

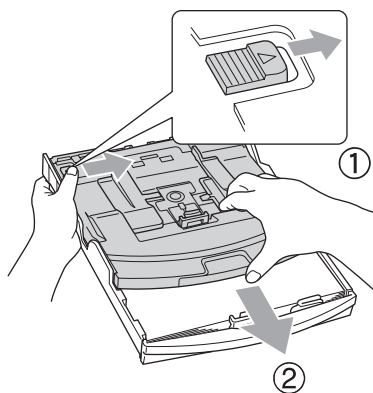


- Put the photo paper into the photo paper tray and gently adjust the paper side guides to the paper. Make sure the paper side guides touch the sides of the paper.

 **Note**

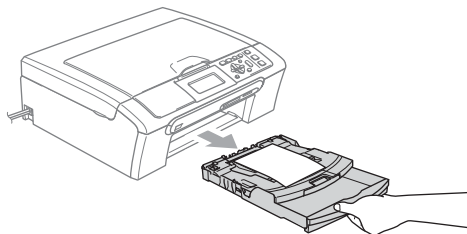
- Be careful that you do not push the paper in too far; it may lift at the back of the tray and cause feed problems.
- Always make sure that the paper is not curled.

- When you have finished printing photos return the photo paper tray to the normal printing position. Press the photo paper tray release button with your left thumb and pull the photo paper tray forward until it clicks.



## Removing small printouts from the machine

When the machine ejects small paper onto the output paper tray you may not be able to reach it. Make sure printing has finished, and then pull the tray completely out of the machine.

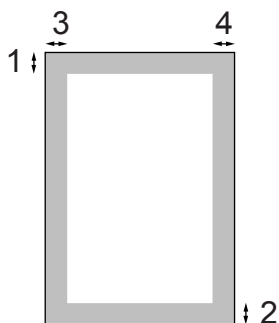


## Printable area

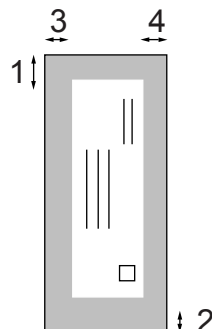
The printable area depends on the settings in the application you are using. The figures below show the unprintable areas on cut sheet paper and envelopes. The machine can only print in the shaded areas when the Borderless print feature is available and turned on.

2

### Cut Sheet Paper



### Envelopes



	Top (1)	Bottom (2)	Left (3)	Right (4)
Cut Sheet	3 mm	3 mm	3 mm	3 mm
Envelopes	12 mm	24 mm	3 mm	3 mm



### Note

The Borderless feature is not available for envelopes.

# 3

## General setup

### Paper settings

#### Paper Type

---

To get the best print quality, set the machine for the type of paper you are using.

- 1 Press **Menu**.
- 2 Press **▲** or **▼** to choose **General Setup**. Press **OK**.
- 3 Press **▲** or **▼** to choose **Paper Type**.
- 4 Press **◀** or **▶** to choose **Plain Paper**, **Inkjet Paper**, **Brother Photo**, **Other Photo** or **Transparency**. Press **OK**.
- 5 Press **Stop/Exit**.



#### Note

---

The machine ejects paper with printed surfaces face up onto the paper tray in front of the machine. When you use transparencies or glossy paper, remove each sheet at once to prevent smudging or paper jams.

---

### Paper Size

---

You can use five sizes of paper for printing copies: Letter, Legal, A4, A5, and 10 × 15 cm. When you change the size of paper you load in the machine, you will need to change the paper size setting at the same time.

- 1 Press **Menu**.
- 2 Press **▲** or **▼** to choose **General Setup**. Press **OK**.
- 3 Press **▲** or **▼** to choose **Paper Size**.
- 4 Press **◀** or **▶** to choose **Letter**, **Legal**, **A4**, **A5** or **10x15cm**. Press **OK**.
- 5 Press **Stop/Exit**.

# LCD display

## LCD Contrast

---

You can adjust the LCD contrast for a sharper and more vivid display. If you are having difficulty reading the LCD, try changing the contrast setting.

- 1 Press **Menu**.
- 2 Press **▲** or **▼** to choose **General Setup**. Press **OK**.
- 3 Press **▲** or **▼** to choose **LCD Settings**. Press **OK**.
- 4 Press **▲** or **▼** to choose **LCD Contrast**.
- 5 Press **◀** or **▶** to choose **Light**, **Med** or **Dark**. Press **OK**.
- 6 Press **Stop/Exit**.

## Setting the backlight brightness

---

If you are having difficulty reading the LCD, try changing the brightness setting.

- 1 Press **Menu**.
- 2 Press **▲** or **▼** to choose **General Setup**. Press **OK**.
- 3 Press **▲** or **▼** to choose **LCD Settings**. Press **OK**.
- 4 Press **▲** or **▼** to choose **Backlight**.
- 5 Press **◀** or **▶** to choose **Light** or **Dark**. Press **OK**.
- 6 Press **Stop/Exit**.

## Setting the Dim Timer for the backlight

---

You can set how long the LCD backlight stays on after the last key press.

- 1 Press **Menu**.
- 2 Press **▲** or **▼** to choose **General Setup**. Press **OK**.
- 3 Press **▲** or **▼** to choose **LCD Settings**. Press **OK**.
- 4 Press **▲** or **▼** to choose **Dim Timer**.
- 5 Press **◀** or **▶** to choose **10Secs**, **20Secs**, **30Secs** or **Off**. Press **OK**.
- 6 Press **Stop/Exit**.

## Setting the Off Timer

---

You can set how long the LCD stays on after the last key press. This is a power saving feature. The machine can print and scan from your computer when the LCD is off.

- 1 Press **Menu**.
- 2 Press **▲** or **▼** to choose **General Setup**. Press **OK**.
- 3 Press **▲** or **▼** to choose **LCD Settings**. Press **OK**.
- 4 Press **▲** or **▼** to choose **Off Timer**.
- 5 Press **◀** or **▶** to choose **1Min**, **2Mins**, **3Mins**, **5Mins**, **10Mins**, **30Mins** or **Off**. Press **OK**.
- 6 Press **Stop/Exit**.



### Note

---

When the display is off you can press any key to turn it back on.

---



# Copy

---

**Making copies**

24

# 4

## Making copies

### How to copy

#### Making a single copy

- 1 Load your document.
- 2 Press **Mono Start** or **Colour Start**.

#### Making multiple copies

You can make up to 99 copies.

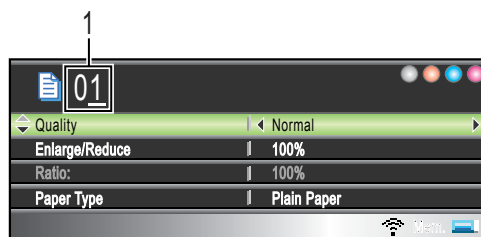
- 1 Load your document.
- 2 Press **+** or **-** repeatedly until the number of copies you want appears (up to 99).
- 3 Press **Mono Start** or **Colour Start**.

#### Stop copying

To stop copying, press **Stop/Exit**.

### Copy options

You can change the copy settings from the default display. The LCD shows:



#### 1 No. of Copies

You can enter the number of copies you want by pressing **+** or **-** repeatedly.

Press **▲** or **▼** to scroll through the copy options menu.

- Quality (See page 25.)
- Enlarge/Reduce (See page 25.)
- Paper Type (See page 28.)
- Paper Size (See page 28.)
- Brightness (See page 27.)
- Contrast (See page 27.)
- RED Adjust (See page 27.)
- GREEN Adjust (See page 27.)
- BLUE Adjust (See page 27.)
- Page Layout (See page 26.)
- Set New Default (See page 28.)
- Factory Reset (See page 28.)

When the option you want is highlighted, press **OK**.

You can change the copy settings temporarily for the next copy.

The machine returns to its default settings after 1 minute.

If you have finished choosing settings, press **Mono Start** or **Colour Start**.



If you want to choose more settings, press ▲ or ▼.

 **Note**

You can save some of the settings that you use most often by setting them as default. These settings will stay until you change them again. (See *Setting your changes as a new default* on page 28.)

## Changing copy speed and quality

You can choose the copy quality. The factory setting is *Normal*.

Fast	Fast copy speed and lowest amount of ink used. Use this setting to save time (documents to be proof read, large documents or many copies).
Normal	Recommended setting for ordinary print outs. Good copy quality with adequate copy speed.
Best	Use this setting to copy precise images such as photographs. The highest resolution and slowest speed.

- 1 Load your document.
- 2 Enter the number of copies you want.
- 3 Press ▲ or ▼ to choose *Quality*.
- 4 Press ◀ or ▶ to choose *Fast*, *Normal* or *Best*. Press **OK**.
- 5 If you do not want to change additional settings, press **Mono Start** or **Colour Start**.

## Enlarging or reducing the image copied

You can choose an enlargement or reduction ratio.

- 1 Load your document.
- 2 Enter the number of copies you want.
- 3 Press ▲ or ▼ to choose *Enlarge/Reduce*.
- 4 Do one of the following.
  - Press ◀ or ▶ to choose the enlargement or reduction ratio you want. Press **OK**.
  - Press ◀ or ▶ to choose *Custom (25-400%)*. Press **OK** and + or - to enter an enlargement or reduction ratio from 25% to 400%. Press **OK**.

50%
69% A4→A5
78% LGL→LTR
83% LGL→A4
93% A4→LTR
97% LTR→A4
<b>100%*</b>
104% EXE→LTR
142% A5→A4
186% 10x15cm→LTR
198% 10x15cm→A4
200%
<i>Custom (25-400%)</i>

- 5 If you do not want to change additional settings, press **Mono Start** or **Colour Start**.

 **Note**

Page Layout Options are not available with *Enlarge/Reduce* settings.

## Making N in 1 copies or a poster (page layout)

The N in 1 copy feature can help you save paper by letting you copy two or four pages onto one printed page.

You can also make a poster. When you use the poster feature your machine divides your document into sections, then enlarges the sections so you can assemble them into a poster.

### Important

- Please make sure paper size is set to Letter, Legal or A4.
- You cannot use the Enlarge/Reduce setting with the N in 1 and Poster features.
- If you are producing multiple colour copies, N in 1 copy is not available.
- (P) means Portrait and (L) means Landscape.
- You can only make one poster copy at a time.

- 1 Load your document.
- 2 Enter the number of copies you want.
- 3 Press ▲ or ▼ to choose Page Layout.
- 4 Press ◀ or ▶ to choose Off (1 in 1), 2 in 1 (P), 2 in 1 (L), 4 in 1 (P), 4 in 1 (L) or Poster (3 x 3). Press **OK**.
- 5 If you do not want to change additional settings, press **Mono Start** or **Colour Start** to scan the page. If you are making a poster, the machine scans the pages and starts printing.
- 6 After the machine scans the page, press + (Yes) to scan the next page.

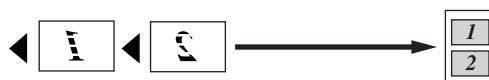
- 7 Put the next page on the scanner glass. Press **OK**. Repeat 6 and 7 for each page of the layout.
- 8 After all the pages have been scanned, press - (No) to finish.

Place your document face down in the direction shown below.

#### ■ 2 in 1 (P)



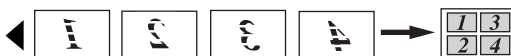
#### ■ 2 in 1 (L)



#### ■ 4 in 1 (P)



#### ■ 4 in 1 (L)



#### ■ Poster (3 x 3)

You can make a poster size copy of a photograph.



## Adjusting Brightness, Contrast and Colour

### Brightness

You can adjust the copy brightness to make copies darker or lighter.

- 1 Load your document.
- 2 Enter the number of copies you want.
- 3 Press ▲ or ▼ to choose **Brightness**.
- 4 Press ◀ or ▶ to make a lighter or darker copy.  
Press **OK**.
- 5 If you do not want to change additional settings, press **Mono Start** or **Colour Start**.

### Contrast

You can adjust the copy contrast to help an image look sharper and more vivid.

- 1 Load your document.
- 2 Enter the number of copies you want.
- 3 Press ▲ or ▼ to choose **Contrast**.
- 4 Press ◀ or ▶ to change the contrast.  
Press **OK**.
- 5 If you do not want to change additional settings, press **Mono Start** or **Colour Start**.

### Colour Saturation

- 1 Load your document.
- 2 Enter the number of copies you want.
- 3 Press ▲ or ▼ to choose **RED Adjust**, **GREEN Adjust** or **BLUE Adjust**.
- 4 Press ◀ or ▶ to change the colour saturation.  
Press **OK**.
- 5 Do one of the following:
  - If you want to change saturation for another colour, go to step 3.
  - If you do not want to change additional settings, press **Mono Start** or **Colour Start**.

## Paper options

---

### Paper Type

If you are copying on special paper, set the machine for the type of paper you are using to get the best print quality.

- 1 Load your document.
- 2 Enter the number of copies you want.
- 3 Press ▲ or ▼ to choose Paper Type.
- 4 Press ◀ or ▶ to choose Plain Paper, Inkjet Paper, Brother Photo, Other Photo Or Transparency. Press **OK**.
- 5 If you do not want to change additional settings, press **Mono Start** or **Colour Start**.

### Paper Size

If copying on paper other than A4 size, you will need to change the paper size setting.

You can copy only on Letter, Legal, A4, A5 or Photo Card [10 cm (W) × 15 cm (H)] paper.

- 1 Load your document.
- 2 Enter the number of copies you want.
- 3 Press ▲ or ▼ to choose Paper Size.
- 4 Press ◀ or ▶ to choose Letter, Legal, A4, A5 Or 10x15cm. Press **OK**.
- 5 If you do not want to change additional settings, press **Mono Start** or **Colour Start**.

## Setting your changes as a new default

---

You can save the copy settings for Quality, Paper Type, Brightness, Contrast, RED Adjust, GREEN Adjust and BLUE Adjust that you use most often by setting them as the default settings. These settings will stay until you change them again.

- 1 Press ▲ or ▼ to choose your new setting. Press **OK**. Repeat this step for each setting you want to change.
- 2 After changing the last setting, press ▲ or ▼ to choose Set New Default. Press **OK**.
- 3 Press + to choose Yes.
- 4 Press **Stop/Exit**.

## Restoring all settings to the factory settings

---

You can restore all the settings you have changed to the factory settings. These settings will stay until you change them again.

- 1 Press ▲ or ▼ to choose Factory Reset. Press **OK**.
- 2 Press + to choose Yes.
- 3 Press **Stop/Exit**.



# Direct Photo Printing

---

<b>Printing photos from a memory card or USB Flash memory drive</b>	<b>30</b>
<b>Printing photos from a camera</b>	<b>47</b>

# Printing photos from a memory card or USB Flash memory drive

## PhotoCapture Center™ Operations

### Printing from a memory card or USB Flash memory drive without a PC

Even if your machine is not connected to your computer, you can print photos directly from digital camera media or a USB Flash memory drive. (See *Print Images* on page 33.)

### Scanning to a memory card or USB Flash memory drive without a PC

You can scan documents and save them directly to a memory card or USB Flash memory drive. (See *Scan to a memory card or USB Flash memory drive* on page 45.)

### Using PhotoCapture Center™ from your computer

You can access a memory card or USB Flash memory drive that is inserted in front of the machine from your PC.

(See *PhotoCapture Center™* for Windows® or *Remote Setup & PhotoCapture Center™* for Macintosh® in the Software User's Guide on the CD-ROM.)

## Using a memory card or USB Flash memory drive

Your Brother machine has media drives (slots) for use with popular digital camera media: CompactFlash®, Memory Stick®, Memory Stick Pro™, SecureDigital, MultiMediaCard™, xD-Picture Card™ and USB Flash memory drives.



CompactFlash®



Memory Stick®

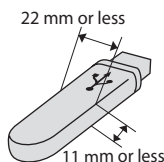
Memory Stick Pro™



SecureDigital  
MultiMediaCard™



xD-Picture Card™



USB Flash memory  
drive

- miniSD™ can be used with a miniSD™ adapter.
- Memory Stick Duo™ can be used with a Memory Stick Duo™ adapter.
- Memory Stick Pro Duo™ can be used with a Memory Stick Pro Duo™ adapter.
- Adapters are not included with the machine. Contact a third party supplier for adapters.

The PhotoCapture Center™ feature lets you print digital photos from your digital camera at high resolution to get photo quality printing.

## Memory cards or a USB Flash memory drive folder structure

Your machine is designed to be compatible with modern digital camera image files and memory cards; however, please read the points below to avoid errors:

- The image file extension must be .JPG (Other image file extensions like .JPEG, .TIF, .GIF and so on will not be recognized).
- PhotoCapture Center™ printing must be performed separately from PhotoCapture Center™ operations using the PC. (Simultaneous operation is not available.)
- IBM Microdrive™ is not compatible with the machine.
- The machine can read up to 999 files on a memory card or USB Flash memory drive.
- CompactFlash® Type II is not supported.
- This product supports xD-Picture Card™ Type M / Type H.
- This product supports SecureDigital High Capacity.
- The DPOF file on the memory cards must be in a valid format. (See *DPOF printing* on page 40.)

Please be aware of the following:

- When printing the INDEX or IMAGE, the PhotoCapture Center™ will print all the valid images, even if one or more images have been corrupted. A portion of the corrupted image may be printed. The corrupted image will not be printed.

### ■ (memory card users)

Your machine is designed to read memory cards that have been formatted by a digital camera.

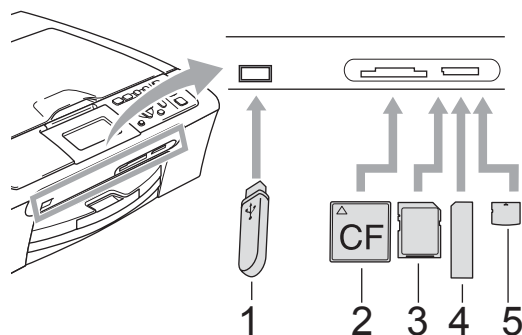
When a digital camera formats a memory card it creates a special folder into which it copies image data. If you need to modify the image data stored on a memory card with your PC, we recommend that you do not modify the folder structure created by the digital camera. When saving new or modified image files to the memory card we also recommend you use the same folder your digital camera uses. If the data is not saved to the same folder, the machine may not be able to read the file or print the image.

### ■ (USB Flash memory drive users)

This machine supports USB Flash memory drives that have been formatted by Windows®.

## Getting started

Firmly put a memory card or USB Flash memory drive into the correct slot.

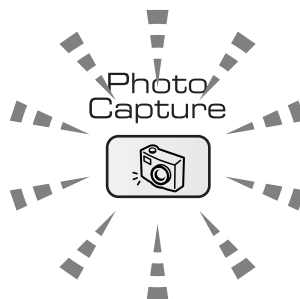


- 1 USB Flash memory drive
- 2 CompactFlash®
- 3 SecureDigital, MultiMediaCard™
- 4 Memory Stick®, Memory Stick Pro™
- 5 xD-Picture Card™

### ! CAUTION

The USB direct interface supports only a USB Flash memory drive, a PictBridge compatible camera, or a digital camera that uses the USB mass storage standard. Any other USB devices are not supported.

**PhotoCapture** key indications:



- **PhotoCapture** light is on, the memory card or USB Flash memory drive is properly inserted.
- **PhotoCapture** light is off, the memory card or USB Flash memory drive is not properly inserted.
- **PhotoCapture** light is blinking, the memory card or USB Flash memory drive is being read or written to.

### ! CAUTION


DO NOT unplug the power cord or remove the memory card or USB Flash memory drive from the media drive (slot) or USB direct interface while the machine is reading or writing to the memory card or USB Flash memory drive (the **PhotoCapture** key is blinking). **You will lose your data or damage the card.**

The machine can only read one device at a time so do not put more than one device in the slot.

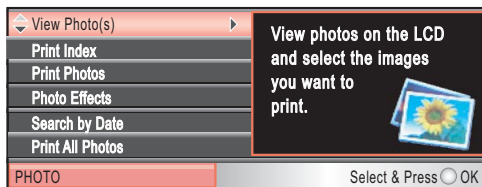


## Entering PhotoCapture mode

After you insert the memory card or USB Flash memory drive, press the

 (**PhotoCapture**) key to illuminate it in green and display the PhotoCapture options on the LCD.

The LCD shows:



Press **▲** or **▼** to scroll through the PhotoCapture key options.

- View Photo(s) (See page 33.)
- Print Index (See page 34.)
- Print Photos (See page 34.)
- Photo Effects (See page 35.)
- Search by Date (See page 38.)
- Print All Photos (See page 39.)
- Slide show (See page 39.)
- Trimming (See page 40.)



### Note


If your digital camera supports DPOF printing, see *DPOF printing* on page 40.

When the option you want is highlighted, press **OK**.

## Print Images

### View Photo(s)

You can preview your photos on the LCD before you print them. If your photos are large files there may be a delay before each photo is displayed on the LCD.

- 1 Make sure you have put a memory card or USB Flash memory drive in the correct slot.  
Press  (**PhotoCapture**).
- 2 Press **▲** or **▼** to choose View Photo(s).  
Press **OK**.
- 3 Press **◀** or **▶** to choose your photo.
- 4 Press **+** or **-** repeatedly to enter the number of copies you want.
- 5 Repeat step 3 and step 4 until you have chosen all the photos.
- 6 After you have chosen all the photos, do one of the following:
  - Press **OK** and change the print settings. (See page 41.)
  - If you do not want to change any settings, press **Colour Start** to print.

## Print Index (Thumbnails)

The PhotoCapture Center™ assigns numbers for images (such as No.1, No.2, No.3, and so on).




The PhotoCapture Center™ uses these numbers to identify each pictures. You can print a thumbnail page (Index page with 5 images per line). This will show all the pictures on the memory card or USB Flash memory drive.



### Note

Only file names that are 8 characters or less will be printed correctly on the index sheet.


- 1 Make sure you have put the memory card or USB Flash memory drive in the correct slot.  
Press  (**PhotoCapture**).
- 2 Press ▲ or ▼ to choose **Print Index**. Press **OK**.

- 3 Press ▲ or ▼ to choose the paper settings, **Paper Type** or **Paper Size**. Do one of the following.
  - If you chose **Paper Type**, press ◀ or ▶ to choose the type of paper you are using, **Plain Paper**, **Inkjet Paper**, **Brother Photo** or **Other Photo**.  
Press **OK**.
  - If you chose **Paper Size**, press ◀ or ▶ to choose the paper size you are using, **Letter** or **A4**.  
Press **OK**.
  - If you do not want to change the paper settings, go to 4

- 4 Press **Colour Start** to print.

## Print Photos

Before you can print an individual image, you have to know the image number.

- 1 Make sure you have put a memory card or USB Flash memory drive in the correct slot.  
Press  (**PhotoCapture**).
- 2 Print the Index. (See *Print Index (Thumbnails)* on page 34.)
- 3 Press ▲ or ▼ to choose **Print Photos**. Press **OK**.
- 4 Press ▲ repeatedly to choose the image number that you want to print from the Index page (Thumbnails). If you want to choose a two digit number, press ▶ to move the cursor to the next digit.  
(For example, enter 1, ▶, 6 to print image No.16.)  
Press **OK**.

### Note

Press ▼ to decrease the image number.

- 5 Repeat step 4 until you have entered the image numbers that you want to print. (For example, enter 1, **OK**, 3, **OK**, 6, **OK** to print images No.1, No.3 and No.6.)



### Note

You can enter up to 12 characters (including commas) for the image numbers you want to print.


- 6 After you have chosen the image numbers, press **OK** again.
- 7 Press **+** or **-** repeatedly to enter the number of copies you want.
- 8 Do one of the following:
  - Change the print settings. (See page 41.)
  - If you do not want to change any settings, press **Colour Start** to print.

## Photo Effects

You can edit and add effects to your photos and view them on the LCD before printing.




### Note

- After adding each effect, you can enlarge the view of the image by pressing **Ink Management**. To go back to the original size, press **Ink Management** again.
- The Photo Effects feature is supported by technology from Reallusion, Inc. 

## Auto Correct

Auto Correct is available for most photos. The machine decides the suitable effect for your photo.

- 1 Make sure you have put a memory card or USB Flash memory drive in the correct slot.  
Press  (**PhotoCapture**).
- 2 Press **▲** or **▼** to choose Photo Effects.  
Press **OK**.
- 3 Press **◀** or **▶** to choose your photo.  
Press **OK**.
- 4 Press **▲** or **▼** to choose Auto Correct.  
Press **OK**.
- 5 Press **OK** if you do not want to change any settings.
- 6 Press **+** or **-** repeatedly to enter the number of copies you want.
- 7 Do one of the following.
  - Press **OK** and change the print settings. (See page 41.)
  - If you do not want to change any settings, press **Colour Start** to print.




### Note

If Remove Red-Eye appears on the LCD, press **▲** to remove red-eye from your photo.


## Enhance Skin-Tone

Enhance Skin-Tone is best used for adjusting portrait photographs. It detects human skin colour in your photos and adjusts the image.

- 1 Make sure you have put a memory card or USB Flash memory drive in the correct slot.  
Press  (**PhotoCapture**).
- 2 Press ▲ or ▼ to choose *Photo Effects*.  
Press **OK**.
- 3 Press ◀ or ▶ to choose your photo.  
Press **OK**.
- 4 Press ▲ or ▼ to choose *Enhance Skin-Tone*.  
Press **OK**.
- 5 Do one of the following.
  - Press **OK** if you do not want to change any settings.
  - Press ▲ or ▼ to adjust the effect level manually. Press **OK** when you have finished.
- 6 Press + or - repeatedly to enter the number of copies you want.
- 7 Do one of the following.
  - Press **OK** and change the print settings. (See page 41.)
  - If you do not want to change any settings, press **Colour Start** to print.

## Enhance Scenery

Enhance Scenery is best used for adjusting landscape photographs. It highlights green and blue areas in your photo, so that the landscape looks more sharp and vivid.

- 1 Make sure you have put the memory card or USB Flash memory drive in the correct slot.  
Press  (**PhotoCapture**).
- 2 Press ▲ or ▼ to choose *Photo Effects*.  
Press **OK**.
- 3 Press ◀ or ▶ to choose your photo.  
Press **OK**.
- 4 Press ▲ or ▼ to choose *Enhance Scenery*.  
Press **OK**.
- 5 Do one of the following.
  - Press **OK** if you do not want to change any settings.
  - Press ▲ or ▼ to adjust the effect level manually. Press **OK** when you have finished.
- 6 Press + or - repeatedly to enter the number of copies you want.
- 7 Do one of the following.
  - Press **OK** and change the print settings. (See page 41.)
  - If you do not want to change any settings, press **Colour Start** to print.

## Remove Red-Eye

The machine detects eyes in your photos and will remove red-eye from your photo.



### Note

There are some cases when red-eye may not be removed.

- When the face is too small in the image.
- When the face is turning too far up, down, left or right.

- 1 Make sure you have put a memory card or USB Flash memory drive in the correct slot.

Press  (**PhotoCapture**).

- 2 Press **▲** or **▼** to choose *Photo Effects*. Press **OK**.

- 3 Press **◀** or **▶** to choose your photo. Press **OK**.

- 4 Press **▲** or **▼** to choose *Remove Red-Eye*. Press **OK**.

- When *Remove Red-Eye* is successful, the photo after effect is shown. The adjusted part is shown in a red frame.
- When *Remove Red-Eye* is unsuccessful, *Unable to Detect.* is shown.



### Note

Press **▲** to try *Remove Red-Eye* again.


- 5 Press **OK** and **+** or **-** repeatedly to enter the number of copies you want.

- 6 Do one of the following.
  - Press **OK** and change the print settings. (See page 41.)
  - If you do not want to change any settings, press **Colour Start** to print.

## Monochrome

You can convert your photo to monochrome.

- 1 Make sure you have put a memory card or USB Flash memory drive in the correct slot.

Press  (**PhotoCapture**).

- 2 Press **▲** or **▼** to choose *Photo Effects*. Press **OK**.

- 3 Press **◀** or **▶** to choose your photo. Press **OK**.


- 4 Press **▲** or **▼** to choose *Monochrome*. Press **OK**.

- 5 Press **OK** and **+** or **-** repeatedly to enter the number of copies you want.

- 6 Do one of the following.
  - Press **OK** and change the print settings. (See page 41.)
  - If you do not want to change any settings, press **Colour Start** to print.


## Sepia

You can convert the colour of your photo to sepia.

- 1 Make sure you have put a memory card or USB Flash memory drive in the correct slot.  
Press  (**PhotoCapture**).
- 2 Press ▲ or ▼ to choose *Photo Effects*.  
Press **OK**.
- 3 Press ◀ or ▶ to choose your photo.  
Press **OK**.
- 4 Press ▲ or ▼ to choose *Sepia*.  
Press **OK**.
- 5 Press **OK** and + or - repeatedly to enter the number of copies you want.
- 6 Do one of the following.
  - Press **OK** and change the print settings. (See page 41.)
  - If you do not want to change any settings, press **Colour Start** to print.

## Search by Date

You can find your photos based on date.

- 1 Make sure you have put a memory card or USB Flash memory drive in the correct slot.  
Press  (**PhotoCapture**).
- 2 Press ▲ or ▼ to choose *Search by Date*.  
Press **OK**.
- 3 Press ▲ or ▼ to choose the date that you want to search from.  
Press **OK**.
- 4 Press ◀ or ▶ to choose your photo.



### Note


Press ◀ to view an older photo and press ▶ to view a more recent photo.

- 5 Press + or - repeatedly to enter the number of copies you want.
- 6 Repeat step 4 and step 5 until you have chosen all your photos.
- 7 After you have chosen all your photos, do one of the following:
  - Press **OK** and change the print settings. (See page 41.)
  - If you do not want to change any settings, press **Colour Start** to print.

## Print All Photos

---


You can print all the photos on your memory card.

- 1 Make sure you have put a memory card or USB Flash memory drive in the correct slot.  
Press  (**PhotoCapture**).
- 2 Press ▲ or ▼ to choose **Print All Photos**.  
Press **OK**.
- 3 Press + or - repeatedly to enter the number of copies you want.
- 4 Do one of the following:
  - Change the print settings. (See page 41.)
  - If you do not want to change any settings, press **Colour Start** to print.

## Slide show

---

You can view all your photos on the LCD using Slide show. You can also choose a photo during the operation.

- 1 Make sure you have put a memory card or USB Flash memory drive in the correct slot.  
Press  (**PhotoCapture**).
- 2 Press ▲ or ▼ to choose **Slide show**.  
Press **OK**.
- 3 Press **Stop/Exit** to finish Slide show.

### Printing a photo during Slide show

- 1 Press **OK** to stop at one image while Slide show is operating.
- 2 Press + or - repeatedly to enter the number of copies you want.
- 3 Do one of the following:
  - Press **OK** and change the print settings. (See page 41.)
  - If you do not want to change any settings, press **Colour Start** to print.

## Trimming

You can trim your photo and print a part of the image.



### Note

If your photo is very small or has irregular proportions you may not be able to trim the photo. The LCD will display

Image Too Small.or

Image Too Long..

- 1 Make sure you have put a memory card or USB Flash memory drive in the correct slot.  
Press (**PhotoCapture**).
- 2 Press ▲ or ▼ to choose **Trimming**. Press **OK**.
- 3 Press ◀ or ▶ to choose your photo. Press **OK**.
- 4 Adjust the red frame on your photo. The part inside of the red frame will be printed.
  - Press + or - to enlarge or reduce the frame size.
  - Press each arrow key to move the position of the frame.
  - Press **Ink Management** to rotate the frame.
  - Press **OK** when you have finished the frame setting.
- 5 Press + or - repeatedly to enter the number of copies you want.
- 6 Do one of the following:
  - Press **OK** and change the print settings. (See page 41.)
  - If you do not want to change any settings, press **Colour Start** to print.

## DPOF printing

DPOF stands for Digital Print Order Format.

Major digital camera manufacturers (Canon Inc., Eastman Kodak Company, Fuji Photo Film Co. Ltd., Matsushita Electric Industrial Co. Ltd. and Sony Corporation) created this standard to make it easier to print images from a digital camera.

If your digital camera supports DPOF printing, you will be able to choose on the digital camera display the images and number of copies you want to print.

When the memory card (CompactFlash<sup>®</sup>, Memory Stick<sup>®</sup>, Memory Stick Pro<sup>™</sup>, SecureDigital MultiMediaCard<sup>™</sup> or xD-Picture Card<sup>™</sup>) with DPOF information is put into your machine, you can print the chosen image easily.

- 1 Make sure you have put a memory card in the correct slot.  
Press (**PhotoCapture**). The machine will ask you if you want to use DPOF setting.
- 2 Press + to choose **Yes**.
- 3 Do one of the following:
  - Change the print settings. (See page 41.)
  - If you do not want to change any settings, press **Colour Start** to print.



# PhotoCapture Center™ print settings

You can change the print settings temporarily for the next print.

The machine returns to its default settings after 3 minutes.



## Note

You can save the print settings you use most often by setting them as default. (See *Setting your changes as a new default* on page 44.)



## 1 No. of prints

(For View Photo(s), Search by Date, Slide Show)

You can see the total number of photos that will be printed.

(For Print All Photos, Print Photos, Photo Effects, Trimming)

You can see the number of copies of each photo that will be printed.

(For DPOF printing) This does not appear.

Menu Selections	Options 1	Options 2	Page
Print Quality (Does not appear for DPOF printing.)	Normal/Photo	—	42
Paper Type	Plain Paper/Inkjet Paper/ Brother Photo/Other Photo	—	42
Paper Size	Letter/A4/10x15cm/13x18cm	(When A4 or Letter is chosen) 10 x 8cm 13 x 9cm 15 x 10cm 18 x 13cm 20 x 15cm Max. Size	42
Brightness (Does not appear when Photo Effects is chosen.)	◀ 0 Dark ———— Light ▶	—	43
Contrast (Does not appear when Photo Effects is chosen.)	◀ 0 ———— ▶	—	43

Menu Selections	Options 1	Options 2	Page
Color Enhance (Does not appear when Photo Effects is chosen.)	On/Off White Balance ◀ 0- ——— ——— ▶ Sharpness ◀ 0- ——— ——— ▶ Color Density ◀ 0- ——— ——— ▶ Exit	—	43
Cropping	On/Off	—	44
Borderless	On/Off	—	44
Set New Default	Yes/No	—	44
Factory Reset	Yes/No	—	44

## Print Speed and Quality

- 1 Press ▲ or ▼ to choose Print Quality.
- 2 Press ◀ or ▶ to choose Normal or Photo.  
Press **OK**.
- 3 If you do not want to change additional settings, press **Colour Start** to print.

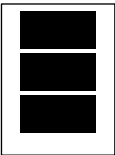
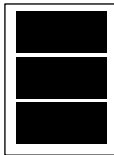
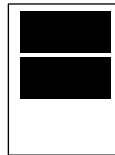
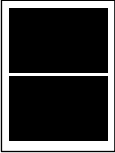


## Paper options

### Paper Type

- 1 Press ▲ or ▼ to choose Paper Type.
- 2 Press ◀ or ▶ to choose the type of paper you are using, Plain Paper, Inkjet Paper, Brother Photo or Other Photo.  
Press **OK**.
- 3 If you do not want to change additional settings, press **Colour Start** to print.

### Paper and print size

- 1 Press ▲ or ▼ to choose Paper Size.
- 2 Press ◀ or ▶ to choose the paper size you are using, Letter, 10x15cm, 13x18cm or A4.  
Press **OK**.
- 3 If you chose Letter or A4, press ◀ or ▶ to choose the print size.  
Press **OK**.

Example: Printed Position for A4 paper		
1 10 x 8cm	2 13 x 9cm	3 15 x 10cm
		
4 18 x 13cm	5 20 x 15cm	6 Max. Size
		

- 4 If you do not want to change additional settings, press **Colour Start** to print.

## Adjusting Brightness, Contrast and Colour

### Brightness

- 1 Press ▲ or ▼ to choose **Brightness**.
- 2 Press ◀ or ▶ to make a darker or lighter print.  
Press **OK**.
- 3 If you do not want to change additional settings, press **Colour Start** to print.

### Contrast

You can choose the contrast setting. More contrast will make an image look sharper and more vivid.

- 1 Press ▲ or ▼ to choose **Contrast**.
- 2 Press ◀ or ▶ to change the contrast.  
Press **OK**.
- 3 If you do not want to change additional settings, press **Colour Start** to print.

### Colour Enhancement

You can turn on the colour enhancement feature to print more vivid images. Printing time will be slower.

- 1 Press ▲ or ▼ to choose **Color Enhance**.  
Press **OK**.
- 2 Do one of the following:
  - If you want to customize the **White Balance**, **Sharpness** or **Colour Density**, press ◀ or ▶ to choose **On**, and then go to step 3.
  - If you do not want to customize, press ◀ or ▶ to choose **Off**.  
Press **OK** and then go to step 6.

- 3 Press ▲ or ▼ to choose **White Balance**, **Sharpness** or **Color Density**.
- 4 Press ◀ or ▶ to adjust the degree of the setting.  
Press **OK**.
- 5 Do one of the following:
  - If you want to customize another colour enhancement, press ▲ or ▼ to choose another option.
  - If you want to change other settings, press ▲ or ▼ to choose **Exit**, and then press **OK**.
- 6 If you do not want to change additional settings, press **Colour Start** to print.



### Note

#### • **White Balance**

This setting adjusts the hue of the white areas of an image. Lighting, camera settings and other influences will effect the appearance of white. The white areas of a picture may be slightly pink, yellow or some other colour. By using this setting, you can correct that effect and bring the white areas back to pure white.

#### • **Sharpness**

This setting enhances the detail of an image, similar to adjusting the fine focus on a camera. If the image is not in true focus and you cannot see the fine details of the picture, then adjust the sharpness.

#### • **Colour Density**

This setting adjusts the total amount of colour in the image. You can increase or decrease the amount of colour in an image to improve a washed out or weak picture.

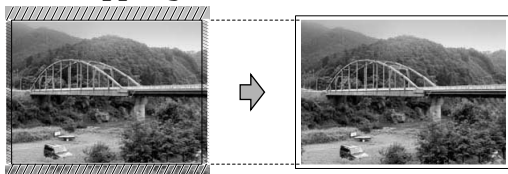
## Cropping

If your photo is too long or wide to fit the available space on your chosen layout, part of the image will automatically be cropped.

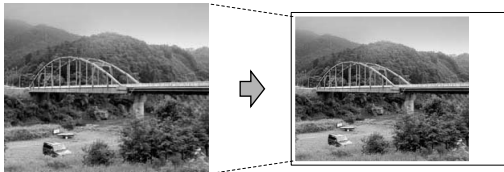
The factory setting is **On**. If you want to print the whole image, turn this setting to **Off**.

- 1 Press ▲ or ▼ to choose **Cropping**.
- 2 Press ◀ or ▶ to choose **Off** (or **On**). Press **OK**.
- 3 If you do not want to change additional settings, press **Colour Start** to print.

**Cropping: On**



**Cropping: Off**



## Borderless printing

This feature expands the printable area to the edges of the paper. Printing time will be slightly slower.

- 1 Press ▲ or ▼ to choose **Borderless**.
- 2 Press ◀ or ▶ to choose **Off** (or **On**). Press **OK**.
- 3 If you do not want to change additional settings, press **Colour Start** to print.

## Setting your changes as a new default

You can save the print settings you use most often by setting them as the default settings. These settings will stay until you change them again.

- 1 Press ▲ or ▼ to choose your new setting. Press **OK**. Repeat this step for each setting you want to change.
- 2 After changing the last setting, press ▲ or ▼ to choose **Set New Default**. Press **OK**.
- 3 Press **+** to choose **Yes**.
- 4 Press **Stop/Exit**.

## Restoring all settings to the factory settings

You can restore all the settings you have changed to the factory settings. These settings will stay until you change them again.

- 1 Press ▲ or ▼ to choose **Factory Reset**. Press **OK**.
- 2 Press **+** to choose **Yes**.
- 3 Press **Stop/Exit**.

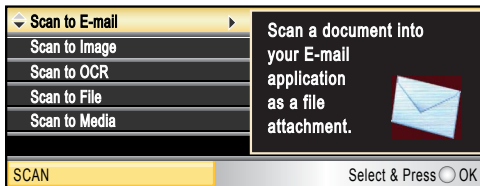
# Scan to a memory card or USB Flash memory drive

## Entering Scan mode

When you want to scan to a memory card or USB Flash memory drive, press



The LCD shows:



Press ▲ or ▼ to choose Scan to Media.

Press **OK**.

If you are not connected to your computer only the Scan to Media selection will appear on the LCD.

(See *Scanning for Windows®* or *Macintosh®* in the Software User's Guide on the CD-ROM for details about the other menu options.)

## How to scan to a memory card or USB Flash memory drive

You can scan monochrome and colour documents into a memory card or USB Flash memory drive. Monochrome documents will be stored in PDF (\*.PDF) or TIFF (\*.TIF) file formats. Colour documents may be stored in PDF (\*.PDF) or JPEG (\*.JPG) file formats. The factory setting is Color 150 dpi and the default file format is PDF. The machine automatically creates file names based on the current date. (For details, see Quick Setup Guide.) For example, the fifth image scanned on June 1, 2007 would be named 01060705.PDF. You can change the colour and quality.

5

Quality	Selectable File Format
Color 150 dpi	JPEG / PDF
Color 300 dpi	JPEG / PDF
Color 600 dpi	JPEG / PDF
B/W 200x100 dpi	TIFF / PDF
B/W 200 dpi	TIFF / PDF

- 1 Insert a CompactFlash®, Memory Stick®, Memory Stick Pro™, SecureDigital, MultiMediaCard™, xD-Picture Card™ or USB Flash memory drive into your machine.

### WARNING

DO NOT take out the memory card or USB flash drive while **PhotoCapture** is blinking to avoid damaging the card, USB flash drive, or data stored on the device that you are using.

- 2 Load your document.
- 3 Press (Scan).

- 4 Press ▲ or ▼ to choose Scan to Media.  
Press **OK**.
- 5 Do one of the following.
  - To change the quality, go to step 6.
  - Press **Mono Start** or **Colour Start** to start scanning without changing additional settings.
- 6 Press ▲ or ▼ to choose Color 150dpi, Color 300dpi, Color 600dpi, B/W 200x100dpi or B/W 200dpi.  
Press **OK**.
- 7 Do one of the following.
  - To change the file type, go to step 8.
  - Press **Mono Start** or **Colour Start** to start scanning without changing additional settings.
- 8 Press ▲ or ▼ to choose JPEG, PDF or TIFF.  
Press **OK**.



### Note

- If you chose colour in the resolution setting, you cannot choose TIFF.
- If you chose monochrome in the resolution setting, you cannot choose JPEG.

- 9 Press **Mono Start** or **Colour Start**.

## Understanding the Error Messages

Once you are familiar with the types of errors that can occur while you are using PhotoCapture Center™, you can easily identify and troubleshoot any problems.

### ■ Hub is Unusable.

This message will appear if a Hub or USB Flash memory drive with a Hub has been put into the USB direct interface.

### ■ Media Error

This message will appear if you put in a memory card that is either bad or not formatted, or when there is a problem with the media drive. To clear this error, take out the memory card.

### ■ No File

This message will appear if you try to access a memory card or USB Flash memory drive in the drive (slot) that does not contain a .JPG file.

### ■ Out of Memory

This message will appear if you are working with images that are too large for the machine's memory. This message will also appear when a memory card or USB Flash memory drive you are using does not have enough available space for the scanned document.

### ■ Media is Full.

This message will appear if you are trying to save more than 999 files in a memory card or USB Flash memory drive.

### ■ Unusable Device

This message will appear if a USB device or USB Flash memory drive that is not supported has been connected to the USB direct interface. For more information, visit us at <http://solutions.brother.com>.

This message will also appear if you connect a broken device to the USB direct interface.

## Printing photos directly from a PictBridge camera



Your Brother machine supports the PictBridge standard, allowing you to connect to and print photos directly from any PictBridge compatible digital camera.

If your camera is using the USB Mass Storage standard, you can also print photos from a digital camera without PictBridge. See *Printing photos directly from a digital camera (without PictBridge)* on page 49.

### PictBridge requirements

To avoid errors, remember the following points:

- The machine and the digital camera must be connected using a suitable USB cable.
- The image file extension must be .JPG (other image file extensions like .JPEG, .TIF, .GIF and so on will not be recognized).
- PhotoCapture Center™ operations are not available when using the PictBridge feature.

### Setting your digital camera

Make sure your camera is in PictBridge mode. The following PictBridge settings may be available from the LCD of your PictBridge compatible camera.

Depending on your camera some of these settings may not be available.

Camera Menu Selections	Options
Paper Size	Letter, A4, 10x15cm, Printer Settings (Default setting) <sup>2</sup>
Paper Type	Plain Paper, Glossy Paper, Inkjet Paper, Printer Settings (Default setting) <sup>2</sup>
Layout	Borderless: On, Borderless: Off, Printer Settings (Default setting) <sup>2</sup>
DPOF setting <sup>1</sup>	–
Print Quality	Normal, Fine, Printer Settings (Default setting) <sup>2</sup>
Color Enhancement	On, Off, Printer Settings (Default setting) <sup>2</sup>

<sup>1</sup> See *DPOF printing* on page 48 for more details.

<sup>2</sup> If your camera is set to use the Printer Settings (Default setting), the machine will print your photo using the following settings.

Settings	Options
Paper Size	10x15cm
Paper Type	Glossy Paper
Layout	Borderless: On
Print Quality	Fine
Color Enhancement	Off

- When your camera does not have any menu selections, this setting is also used.
- The names and availability of each setting depends on the specification of your camera.

Please refer to the documentation supplied with your camera for more detailed information on changing PictBridge settings.

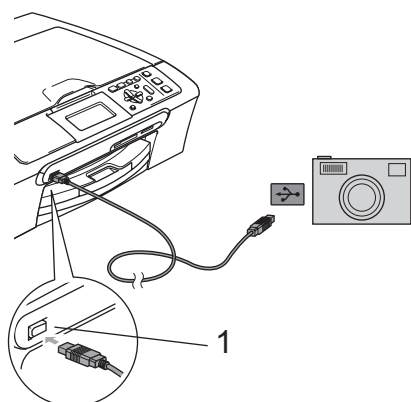
## Printing Images



### Note

Remove any memory cards or USB Flash memory drive from the machine before connecting a digital camera.

- 1 Make sure that your camera is turned off. Connect your camera to the USB direct interface (1) on the machine using the USB cable.



### 1 USB direct interface

- 2 Turn on the camera. When the machine has recognized the camera, the LCD shows Camera Connected.
- 3 Choose the photo you want to print following the instructions from your camera. When the machine starts printing a photo, the LCD will show Printing.



### WARNING

To prevent damage to your machine, do not connect any device other than a digital camera or USB Flash memory drive to the USB direct interface.

## DPOF printing

DPOF stands for Digital Print Order Format.

Major digital camera manufacturers (Canon Inc., Eastman Kodak Company, Fuji Photo Film Co. Ltd., Matsushita Electric Industrial Co. Ltd. and Sony Corporation) created this standard to make it easier to print images from a digital camera.

If your digital camera supports DPOF printing, you will be able to choose on the digital camera display the images and number of copies you want to print.



## Printing photos directly from a digital camera (without PictBridge)

If your camera supports the USB Mass Storage standard, you can connect your camera in storage mode. This enables you to print photos from your camera.

If you would like to print photos in PictBridge mode, see *Printing photos directly from a PictBridge camera* on page 47.



### Note

The name, availability and operation differ among digital cameras. Please refer to the documentation supplied with your camera for detailed information, such as how to switch from PictBridge mode to USB mass storage mode.

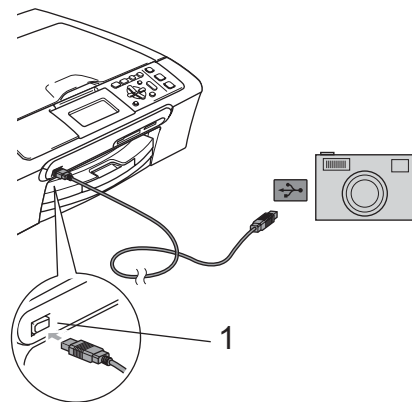
## Printing Images



### Note

Remove any memory cards or USB Flash memory drive from the machine before connecting a digital camera.

- 1 Make sure that your camera is turned off. Connect your camera to the USB direct interface (1) on the machine using the USB cable.



### 1 USB direct interface

- 2 Turn on the camera.
- 3 Follow the steps in *Print Images* on page 33.



### WARNING

To prevent damage to your machine, do not connect any device other than a digital camera or USB Flash memory drive to the USB direct interface.

## Understanding the Error Messages

Once you are familiar with the types of errors that can occur while you are printing from a camera, you can easily identify and troubleshoot any problems.

### ■ Out of Memory

This message will appear if you are working with images that are too large for the machine's memory.

### ■ Unusable Device

This message will appear if you connect a camera which is not in PictBridge mode nor using the USB Mass Storage standard. This message can also appear if you connect a broken device to the USB direct interface.

For more detailed solutions see *Error messages* on page 66.



# Software

---

**Software and Network features**

**52**

# 7

## Software and Network features

The CD-ROM includes the Software User's Guide and Network User's Guide for features available when connected to a computer (for example, printing and scanning). The guide has easy to use links that, when clicked, will take you directly to a particular section.

You can find information on these features:

- Printing
- Scanning
- ControlCenter3 (for Windows®)
- ControlCenter2 (for Macintosh®)
- PhotoCapture Center™
- Network Printing
- Network Scanning
- Wireless Network Users

### How to read the HTML User's Guide

This is a quick reference for using the HTML User's Guide.

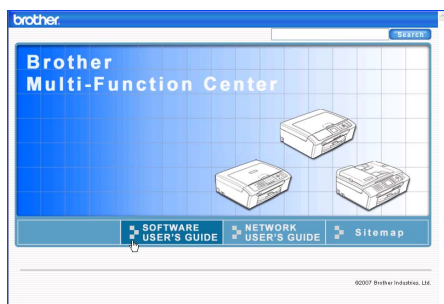
(For Windows®)



#### Note

If you have not installed the software, see *Viewing Documentation* on page 3.

- 1 From the **Start menu**, point to **Brother**, DCP-XXXX (where **XXXX** is your model number) from the programs group, then click **User's Guides** in HTML format.
- 2 Click **SOFTWARE USER'S GUIDE** (or **NETWORK USER'S GUIDE**) from the top menu.



- 3 Click the heading you would like to read from the list at the left of the window.



(For Macintosh®)

- 1 Make sure your Macintosh® is turned on. Insert the Brother CD-ROM into your CD-ROM drive.
- 2 Double-click the **Documentation** icon.
- 3 Double-click your language folder, and then double-click the top page file.
- 4 Click **SOFTWARE USER'S GUIDE** (or **NETWORK USER'S GUIDE**) in the top menu, and then click the heading you would like to read from the list at the left of the window.





# Appendixes

---

<b>Safety and Legal</b>	54
<b>Troubleshooting and Routine Maintenance</b>	62
<b>Menu and Features</b>	80
<b>Specifications</b>	90
<b>Glossary</b>	101

# A

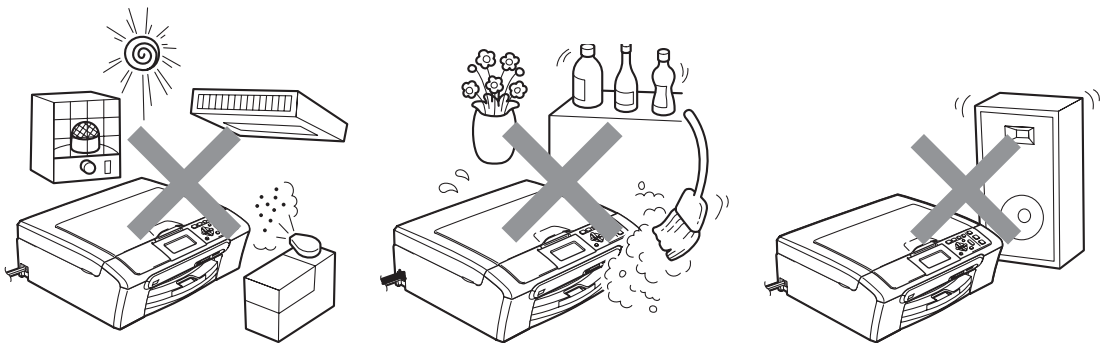
## Safety and Legal

### Choosing a location

Put your machine on a flat, stable surface that is free of vibration and shocks, such as a desk. Put the machine near a standard grounded electrical socket. Choose a location where the temperature remains between 10°C and 35°C.

#### ! CAUTION

- Avoid placing your machine in a high-traffic area.
- Avoid placing your machine on carpet.
- DO NOT put the machine near heaters, air conditioners, refrigerators, medical equipment, chemicals or water.
- DO NOT expose the machine to direct sunlight, excessive heat, moisture, or dust.
- DO NOT connect your machine to electrical sockets controlled by wall switches or automatic timers.
- Disruption of power can wipe out information in the machine's memory.
- DO NOT connect your machine to electrical sockets on the same circuit as large appliances or other equipment that might disrupt the power supply.



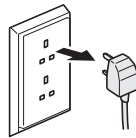
## To use the machine safely

Please keep these instructions for later reference and read them before attempting any maintenance.

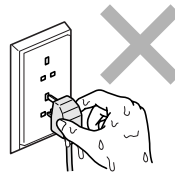
### WARNING



There are high voltage electrodes inside the machine. Before you clean the inside of the machine, make sure you have unplugged the power cord from the electrical socket. Doing this will prevent an electrical shock.



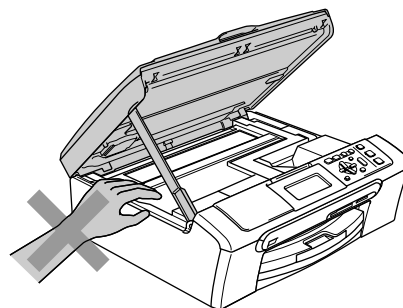
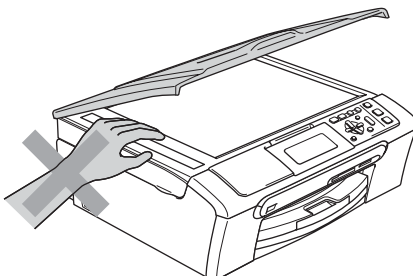
DO NOT handle the plug with wet hands. Doing this may cause an electrical shock.



DO NOT pull in the middle of the AC power cord. Doing this may cause an electrical shock.

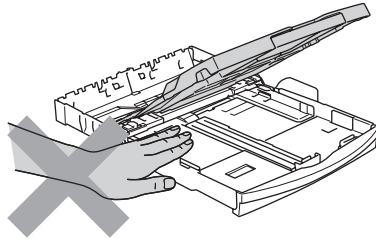


DO NOT put your hands on the edge of the machine under the document cover or the scanner cover. Doing this may cause injury.

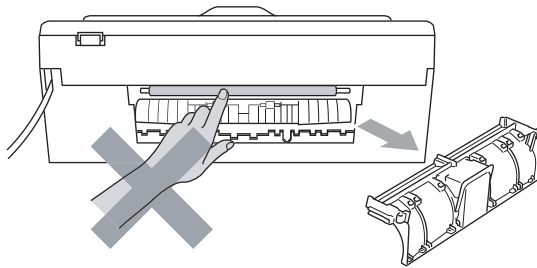




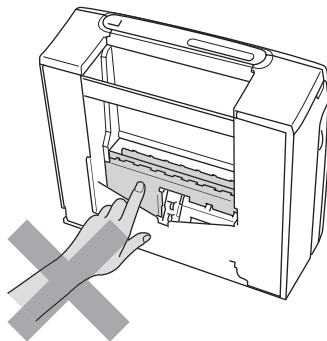
DO NOT put your hands on the edge of the paper tray under the output paper tray cover. Doing this may cause injury.



DO NOT touch the paper feed roller. Doing this may cause injury.



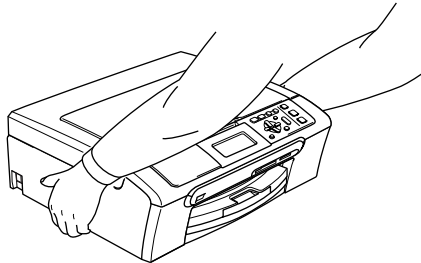
DO NOT touch the area shaded in the illustration. Doing this may cause injury.







When moving the machine you must lift it from the base, by placing a hand at each side of the unit as shown in the illustration. **DO NOT** carry the machine by holding the scanner cover.



Do not use flammable substances or any type of spray to clean the inside or outside of the machine. Doing this may cause a fire or electrical shock.

If the machine becomes hot, releases smoke, or generates any strong smells, immediately turn off the power switch and unplug the machine from the electrical socket. Call your Brother dealer or Brother Customer Service.

If metal objects, water or other liquids get inside the machine, immediately turn off the power switch and unplug the machine from the electrical socket. Call your Brother dealer or Brother Customer Service.



#### **WARNING**

- This product must be installed near an electrical socket that is easily accessible. In case of an emergency, you must unplug the power cord from the electrical socket to shut off the power completely.
- Always make sure the plug is fully inserted.

## Important safety instructions

---

- 1 Read all of these instructions.
- 2 Save them for later reference.
- 3 Follow all warnings and instructions marked on the product.
- 4 Unplug this product from the wall socket before cleaning the inside of the machine. DO NOT use liquid or aerosol cleaners. Use a damp cloth for cleaning.
- 5 DO NOT use this product near water.
- 6 DO NOT place this product on an unstable cart, stand, or table. The product may fall, causing serious damage to the product.
- 7 Slots and openings in the casing and the back or bottom are provided for ventilation. To ensure reliable operation of the product and to protect it from overheating, these openings must not be blocked or covered. The openings should never be blocked by placing the product on a bed, sofa, rug, or other similar surface. This product should never be placed near or over a radiator or heater. This product should never be placed in a built-in installation unless adequate ventilation is provided.
- 8 This product should be operated from the type of power source indicated on the label. If you are not sure of the type of power available, call your Brother dealer or local power company.
- 9 Use only the power cord supplied with this machine.
- 10 This product is equipped with a 3-wire grounded plug, a plug having a third (grounded) pin. This plug will only fit into a grounded power outlet. This is a safety feature. If you are unable to insert the plug into the outlet, call your electrician to replace your obsolete outlet. DO NOT defeat the purpose of the grounded plug.
- 11 DO NOT allow anything to rest on the power cord. DO NOT place this product where people can walk on the cord.
- 12 DO NOT place anything in front of the machine that will block printing. DO NOT place anything in the path of printing.
- 13 Wait until pages have exited the machine before picking them up.
- 14 Unplug this product from the power socket and refer all servicing to Brother Authorized Service Personnel under the following conditions:
  - When the power cord is damaged or frayed.
  - If liquid has been spilled into the product.
  - If the product has been exposed to rain or water.
  - If the product does not operate normally when the operating instructions are followed, adjust only those controls that are covered by the operating instructions. Incorrect adjustment of other controls may result in damage and will often require extensive work by a qualified technician to restore the product to normal operation.
  - If the product has been dropped or the casing has been damaged.
  - If the product exhibits a distinct change in performance, indicating a need for service.

15 To protect your product against power surges, we recommend the use of a power protection device (Surge Protector).

16 To reduce the risk of fire, electric shock and injury to people, note the following:

- DO NOT use this product near appliances that use water, a swimming pool, or in a wet basement.
- DO NOT use the machine during an electrical storm (there is the remote possibility of an electrical shock) or to report a gas leak in the vicinity of the leak.

## IMPORTANT - For your safety

---

To ensure safe operation, the supplied three-pin plug must be inserted only into a standard three-pin electrical socket that is effectively grounded through the normal household wiring.

The fact that the equipment operates satisfactorily does not imply that the power is grounded and that the installation is completely safe. For your safety, if in any doubt about the effective grounding of the power, consult a qualified electrician.

### Wiring information (for U.K. only)

#### Important

If you need to replace the plug fuse, fit a fuse that is approved by ASTA to BS1362 with the same rating as the original fuse.

Always replace the fuse cover. Never use a plug that does not have a cover.

#### Warning - This machine must be earthed.

The wires in the mains lead are coloured in line with the following code:

- **Green and Yellow: Earth**
- **Blue: Neutral**
- **Brown: Live**

If in any doubt, call a qualified electrician.

## LAN connection

---

### CAUTION

DO NOT connect this product to a LAN connection that is subject to over-voltages.

## Radio interference

---

This product complies with EN55022 (CISPR Publication 22)/Class B. When connecting the machine to a computer, ensure that you use a USB cable which does not exceed 2.0 m in length.

## EU Directive 2002/96/EC and EN50419

---



European  
Union Only

This equipment is marked with the above recycling symbol. It means that at the end of the life of the equipment you must dispose of it separately at an appropriate collection point and not place it in the normal domestic unsorted waste stream. This will benefit the environment for all. (European Union only)

## Legal limitations for copying

---

It is an offence to make reproductions of certain items or documents with the intent to commit fraud. This memorandum is intended to be a guide rather than a complete list. We suggest you check with relevant legal authorities if in doubt about a particular item or document.

The following are examples of documents which may not be copied:

- Money
- Bonds or other certificates of indebtedness
- Certificates of Deposit
- Armed Forces Service or Draft papers.
- Passports
- Postage Stamps (cancelled or uncanceled)
- Immigration Papers
- Welfare documents
- Cheques or Drafts drawn by Governmental Agencies
- Identification Documents, badges or insignias
- Licences and Certificates of Title to motor vehicles

Copyrighted works cannot be copied. Sections of a copyrighted work can be copied for 'fair dealing'. Multiple copies would indicate improper use.

Works of art should be considered the equivalent of copyrighted works.

Licenses and Certificates of Title to motor vehicles may not be copied under certain state/provincial laws.

## Trademarks

---

The Brother logo is a registered trademark of Brother Industries, Ltd.

Brother is a registered trademark of Brother Industries, Ltd.

Multi-Function Link is a registered trademark of Brother International Corporation.

© 2007 Brother Industries, Ltd. All rights reserved.

Microsoft and Windows are registered trademarks of Microsoft Corporation in the U.S. and other countries.

Windows Vista is either a registered trademark or trademark of Microsoft Corporation in the United States and/or other countries.

Macintosh and TrueType are registered trademarks of Apple Inc.

Nuance, the Nuance logo, PaperPort and ScanSoft are trademarks or registered trademarks of Nuance Communications, Inc. or its affiliates in the United States and/or other countries.

Presto! PageManager is a registered trademark of NewSoft Technology Corporation.

Microdrive is a trademark of International Business Machine Corporation.

CompactFlash is a registered trademark of SanDisk Corporation.

Memory Stick is a registered trademark of Sony Corporation.

SanDisk is a licensee of the SD and miniSD trademarks.

MultiMediaCard is a trademark of Infineon Technologies and licensed to the MultiMediaCard Association.

xD-Picture Card is a trademark of Fujifilm Co. Ltd., Toshiba Corporation and Olympus Optical Co. Ltd.

PictBridge is a trademark.

Memory Stick Pro, Memory Stick Pro Duo, Memory Stick Duo and MagicGate are trademarks of Sony Corporation.

BROADCOM, SecureEasySetup and the SecureEasySetup logo are trademarks or registered trademarks of Broadcom Corporation in the United States and/or other countries.

AOSS™ is a trademark of Buffalo INC..

FaceFilter Studio is a trademark of Reallusion Inc..

Each company whose software title is mentioned in this manual has a Software License Agreement specific to its proprietary programs.

**All other brand and product names mentioned in this User's Guide, the Software User's Guide and the Network User's Guide are registered trademarks of their respective companies.**

# B

# Troubleshooting and Routine Maintenance

## Troubleshooting

If you think there is a problem with your machine, check the chart below and follow the troubleshooting tips.

Most problems can be easily resolved by yourself. If you need additional help, the Brother Solutions Center offers the latest FAQs and troubleshooting tips. Visit us at <http://solutions.brother.com>.

### If you are having difficulty with your machine

#### Printing

Difficulty	Suggestions
No printout	Check the interface cable or wireless connection on both the machine and your computer. (See the <i>Quick Setup Guide</i> .)
	Make sure the machine is plugged in and not turned off.
	One or more ink cartridges are empty. (See <i>Replacing the ink cartridges</i> on page 70.)
	Check to see if the LCD is showing an error message. (See <i>Error messages</i> on page 66.)
	Check that the correct printer driver has been installed and chosen.
	Make sure that the machine is online. Click <b>Start</b> and then <b>Printers and Faxes</b> . Right-click and choose <b>Brother DCP-770CW</b> , and make sure that <b>Use Printer Offline</b> is unchecked.
Poor print quality	Check the print quality. (See <i>Checking the print quality</i> on page 76.)
	Make sure that the Media Type setting in the printer driver or the Paper Type setting in the machine's menu matches the type of paper you are using. (See <i>Printing for Windows®</i> or <i>Printing and Faxing for Macintosh®</i> in the Software User's Guide on the CD-ROM.)
	Make sure that your ink cartridges are fresh. The following may cause ink to clog: <ul style="list-style-type: none"> <li>■ The expiration date written on the cartridge package has passed. (Cartridges stay usable for up to two years if kept in their original packaging.)</li> <li>■ The ink cartridge was in your machine over six months.</li> <li>■ The ink cartridge may not have been stored properly before use.</li> </ul>
	Try using the recommended types of paper. (See <i>Acceptable paper and other media</i> on page 10.)
	The recommended environment for your machine is between 20°C to 33°C.
White horizontal lines appear in text or graphics.	Clean the print head. (See <i>Cleaning the print head</i> on page 75.)
	Try using the recommended types of paper. (See <i>Acceptable paper and other media</i> on page 10.)
	If you want to print on Photo L or 10 × 15 cm paper, make sure you use the photo paper tray. (See <i>Loading photo paper</i> on page 17.)
The machine prints blank pages.	Clean the print head. (See <i>Cleaning the print head</i> on page 75.)

## Printing (continued)

Difficulty	Suggestions
Characters and lines are stacked.	Check the printing alignment. (See <i>Checking the print alignment</i> on page 77.)
Printed text or images are skewed.	Make sure the paper is loaded properly in the paper tray and the paper side guide is adjusted correctly. (See <i>Loading paper and other media</i> on page 14.)
	Make sure the Jam Clear Cover is set properly.
Smudged stain at the top center of the printed page.	Make sure the paper is not too thick or curled. (See <i>Acceptable paper and other media</i> on page 10.)
Printing appears dirty or ink seems to run.	Make sure you are using the recommended types of paper. (See <i>Acceptable paper and other media</i> on page 10.) Don't handle the paper until the ink is dry.
	If you are using photo paper, make sure that you have set the correct paper type. If you are printing a photo from your PC, set the <b>Media Type</b> in the <b>Basic</b> tab of the printer driver.
Stains appear on the reverse side or at the bottom of the page.	Make sure the printer platen is not dirty with ink. (See <i>Cleaning the machine printer platen</i> on page 74.)
	Make sure you are using the paper support flap. (See <i>Loading paper and other media</i> on page 14.)
The machine prints dense lines on the page.	Check <b>Reverse Order</b> in the <b>Basic</b> tab of the printer driver.
The printouts are wrinkled.	In the printer driver <b>Basic</b> tab, click <b>Settings</b> , and uncheck <b>Bi-Directional Printing</b> .
Cannot perform '2 in 1' or '4 in 1' printing.	Check that the paper size setting in the application and in the printer driver are the same.
Print speed is too slow.	Try changing the printer driver setting. The highest resolution needs longer data processing, sending and printing time. Try the other quality settings in the printer driver <b>Basic</b> tab. Also, click the <b>Settings</b> , and make sure you uncheck <b>Colour Enhancement</b> .
	Turn the borderless feature off. Borderless printing is slower than normal printing. (See <i>Printing for Windows®</i> or <i>Printing and Faxing for Macintosh®</i> in the Software User's Guide on the CD-ROM.)
Colour Enhancement is not working properly.	If the image data is not full colour in your application (such as 256 colour), Colour Enhancement will not work. Use at least 24 bit colour data with the Colour Enhancement feature.
Photo paper does not feed properly.	<ul style="list-style-type: none"> <li>■ When you print on Brother photo paper, load the instruction sheet included with the photo paper in the paper tray first, and then put the photo paper on top of the instruction sheet.</li> <li>■ Clean the paper pick-up roller. (See <i>Cleaning the paper pick-up roller</i> on page 74.)</li> </ul>
Machine feeds multiple pages.	Make sure the paper is loaded properly in the paper tray. (See <i>Loading paper and other media</i> on page 14.)
	Check that more than two types of paper are not loaded in the paper tray at any one time.
Printed pages are not stacked neatly.	Make sure you are using the paper support flap. (See <i>Loading paper and other media</i> on page 14.)
Printed pages refeed and cause a paper jam.	Make sure you pull out the paper support until it clicks.
Machine does not print from MS paint.	Try setting the Display setting to '256 colours.'
Machine does not print from Adobe Illustrator.	Try to reduce the print resolution. (See <i>Printing for Windows®</i> or <i>Printing and Faxing for Macintosh®</i> in the Software User's Guide on the CD-ROM.)

## Copying Difficulties

Difficulty	Suggestions
Vertical streaks appear on copies.	If you see vertical streaks on copies, clean the scanner. (See <i>Cleaning the scanner</i> on page 73.)

## Scanning Difficulties

Difficulty	Suggestions
TWAIN/WIA errors appear when starting to scan.	Make sure the Brother TWAIN/WIA driver is chosen as the primary source. In PaperPort™ 11SE with OCR, click <b>File, Scan or Get Photo</b> and click <b>Select</b> to choose the Brother TWAIN/WIA driver.

## Software Difficulties

Difficulty	Suggestions
Cannot install software or print.	Run the <b>Repair MFL-Pro Suite</b> program on the CD-ROM. This program will repair and reinstall the software.
'Device Busy'	Make sure the machine is not showing an error message on the LCD.
Cannot print images from FaceFilter Studio.	To use FaceFilter Studio, you must install the FaceFilter Studio application from the CD-ROM supplied with your machine. To install FaceFilter Studio see the <i>Quick Setup Guide</i> .  Also, before you start FaceFilter Studio for the first time, you must make sure your Brother machine is turned On and connected to your computer. This will allow you to access all the functions of FaceFilter Studio.

## PhotoCapture Center™ Difficulties

Difficulty	Suggestions
Removable Disk does not work properly.	<ol style="list-style-type: none"> <li>1 Have you installed the Windows® 2000 update? If not, do the following:               <ol style="list-style-type: none"> <li>1) Unplug the USB cable.</li> <li>2) Install the Windows® 2000 update using one of the following methods.                   <ul style="list-style-type: none"> <li>■ Install MFL-Pro Suite from the CD-ROM. (See the <i>Quick Setup Guide</i>.)</li> <li>■ Download the latest service pack from the Microsoft Web site.</li> </ul> </li> <li>3) Wait about 1 minute after you restart the PC, and then connect the USB cable.</li> </ol> </li> <li>2 Take out the memory card or USB Flash memory drive and put it back in again.</li> <li>3 If you have tried 'Eject' from within Windows®, take out the memory card or USB Flash memory drive before you continue.</li> <li>4 If an error message appears when you try to eject the memory card or USB Flash memory drive, it means the card is being accessed. Wait a while and then try again.</li> <li>5 If all of the above do not work, turn off your PC and machine, and then turn them on again. (You will have to unplug the power cord of the machine to turn it off.)</li> </ol>
Cannot access Removable Disk from Desktop icon.	Make sure that you have correctly inserted the memory card or USB Flash memory drive.



## Network Difficulties

Difficulty	Suggestions
<p>Cannot print over the Network.</p>	<p>Make sure that your machine is powered on and is online and in Ready mode. Print a Network Configuration list (see <i>Printing Reports</i> on page 8) and check the current Network settings printed in this list. Reconnect the LAN cable to the hub to verify that the cabling and network connections are good. If possible, try connecting the machine to a different port on your hub using a different cable. If the connections are good, the machine shows LAN Active for 2 seconds.</p> <p>(If you are using a wireless connection or are having Network problems, see the <i>Network User's Guide</i> on the CD-ROM for more information.)</p>
<p>The network scanning feature does not work.</p>	<p>(For Windows® users only) Firewall settings on your PC may be rejecting the necessary network connection. Follow the instructions below to configure the Firewall. If you are using a personal Firewall software, see the User's Guide for your software or contact the software manufacturer.</p> <p>For Windows® XP SP2 and Windows Vista™ users, see <i>Firewall settings</i> in the Software User's Guide on the CD-ROM.</p> <p>For Windows® XP SP1 users, please visit the Brother Solutions Center.</p>
<p>Your computer cannot find your machine.</p>	<p>&lt;Windows® users&gt;</p> <p>Firewall settings on you PC may be rejecting the necessary network connection. For details, see the instruction above.</p> <p>&lt;Macintosh® users&gt;</p> <p>Re-select your machine in the Device Selector application located in Macintosh HD/Library/Printers/Brother/Utilities/DeviceSelector or from the model of ControlCenter2.</p>

## Error messages

As with any sophisticated office product, errors may occur. If this happens, your machine identifies the error and shows an error message. The most common error messages are shown below.

You can correct most errors by yourself. If you need more help, the Brother Solutions Center offers the latest FAQs and troubleshooting tips.

Visit us at <http://solutions.brother.com>.

Error Message	Cause	Action
Cover is Open.	The scanner cover is not closed completely.	Lift the scanner cover and then close it again.
	The ink cartridge cover is not completely closed.	Firmly close the ink cartridge cover until it clicks.
Data Remaining	Print data is left in the machine's memory.	Press <b>Stop/Exit</b> . The machine will cancel the job and clear it from the memory. Try to print again.
High Temperature	The print head is too warm.	Allow the machine to cool down.
Hub is Unusable.	A Hub or USB Flash memory drive with Hub has been connected to the USB direct interface.	A Hub or USB Flash memory drive with Hub are not supported. Unplug the device from the USB direct interface.
Image Too Long.	The proportions of your photo are irregular so effects could not be added.	Choose a regularly proportioned image.
Image Too Small.	The size of your photo is too small to trim.	Choose a larger image.
Ink Empty	One or more of the ink cartridges are empty. The machine will stop all print operations.	Replace the empty ink cartridges. (See <i>Replacing the ink cartridges</i> on page 70.)
Low Temperature	The print head is too cold.	Allow the machine to warm up.
Media Error	The memory card is either corrupted, improperly formatted, or there is a problem with the memory card.	Put the card firmly into the slot again to make sure it is in the correct position. If the error remains, check the media drive (slot) of the machine by putting in another memory card that you know is working.
Media is Full.	The memory card or USB Flash memory drive you are using already contains 999 files.	Your machine can only save to your memory card or USB Flash memory drive if it contains less than 999 files. Try deleting unused files to free some space and try again.
Near Empty	One or more of the ink cartridges are running out of ink.	Order a new ink cartridge.
No Cartridge	An ink cartridge is not installed properly.	Take out the ink cartridge and put it in again seating it properly. (See <i>Replacing the ink cartridges</i> on page 70.)

Error Message	Cause	Action
No File	The memory card or USB Flash memory drive in the media drive does not contain a .JPG file.	Put the correct memory card or USB Flash memory drive into the slot again.
No Paper Fed	The machine is out of paper or paper is not properly loaded in the paper tray.	Do one of the following: <ul style="list-style-type: none"> <li>■ Refill the paper in the paper tray, and then press <b>Mono Start</b> or <b>Colour Start</b>.</li> <li>■ Remove the paper and load it again and then press <b>Mono Start</b> or <b>Colour Start</b>.</li> </ul>
	The paper is jammed in the machine.	See <i>Printer jam or paper jam</i> on page 68.
Out of Memory	The machine's memory is full.	<b>Copy operation in progress</b> Press <b>Stop/Exit</b> and wait until the other operations in progress finish and then try again.
	The memory card or USB flash memory drive you are using does not have enough free space to scan the document.	Delete unused files from your memory card or USB flash memory drive to make some free space and then try again.
Paper Jam	Paper is jammed in the machine.	Remove the Jam Clear Cover (at the back of the machine) and pull out the jammed paper. See <i>Printer jam or paper jam</i> on page 68.
Unable to Clean XX Unable to Init. XX Unable to Print XX Unable to Scan XX	The machine has a mechanical problem.	Disconnect the machine from the power for several minutes, then reconnect it.
Unusable Device Disconnect device from front connector & turn machine off & then on	A broken device has been connected to the USB direct interface.	Unplug the device from the USB direct interface, then press <b>On/Off</b> to turn the machine off and then on again.
Unusable Device Please Disconnect USB Device.	A USB device or USB Flash memory drive that is not supported has been connected to the USB direct interface. For more information, visit us at <a href="http://solutions.brother.com">http://solutions.brother.com</a> .	Unplug the device from the USB direct interface.

## Changing LCD language

You can change the LCD language.

- 1 Press **Menu**.
- 2 Press **▲** or **▼** to choose **Initial Setup**. Press **OK**.
- 3 Press **▲** or **▼** to choose **Local Language**. Press **OK**.
- 4 Press **▲** or **▼** to choose your language. Press **OK**.
- 5 Press **Stop/Exit**.

## Error animation

Error animation displays step-by-step instructions when paper gets jammed or ink cartridges become empty. You can read the steps at your own pace by pressing **▶** to see the next step and **◀** to go backward. If you do not press a key, after 1 minute the animation starts running automatically again.



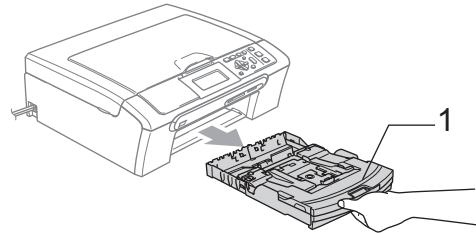
### Note

You can press **◀**, **▶** or **OK** to pause the auto-animation and go back to step-by-step mode.

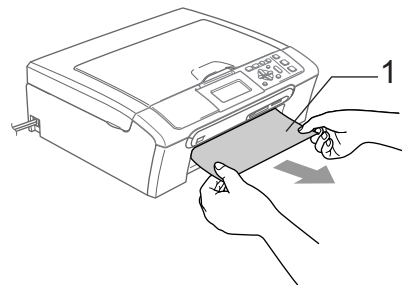
## Printer jam or paper jam

Take out the jammed paper depending on where it is jammed in the machine. Open and close the scanner cover to clear the error.

- 1 Pull the paper tray (1) out of the machine.

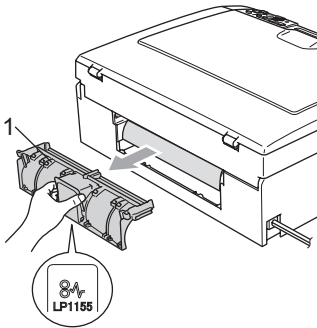


- 2 Pull out the jammed paper (1).



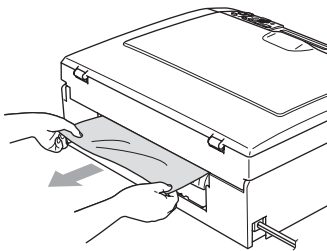
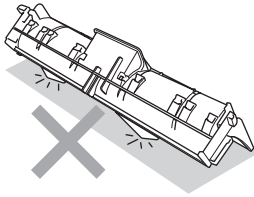
- If you cannot remove the jammed paper from the front, or the error message still appears on the LCD after you have removed the jammed paper, please go to the next step.

- 3 Remove the Jam Clear Cover (1). Pull the jammed paper out of the machine.

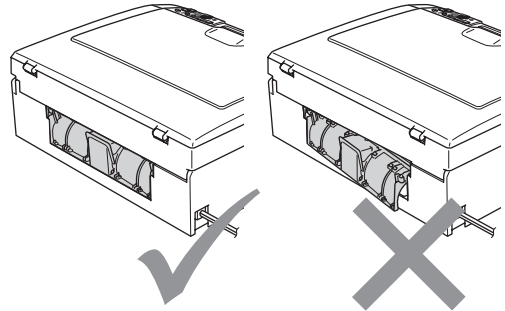


**! CAUTION**

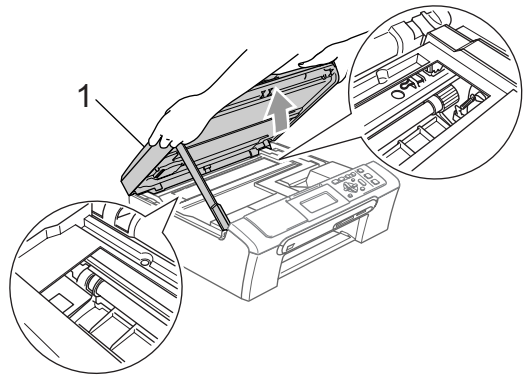
DO NOT place the jam clear cover face down as shown in the illustration. You may damage the cover and cause paper jams.



- 4 Put the Jam Clear Cover back on. Make sure the cover is set properly.



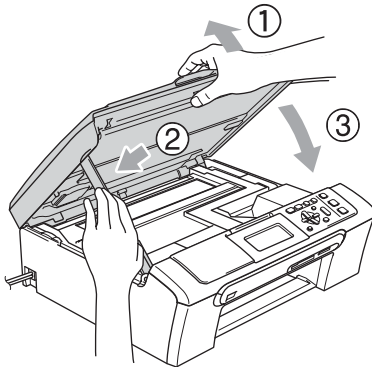
- 5 Lift the scanner cover (1) from the front side of the machine until it locks securely into the open position. Make sure that there is no jammed paper left inside the machine. Check *both* ends of the print carriage.



## Note

If the paper is jammed under the print head, unplug the machine from the power source, and then move the print head to take out the paper.

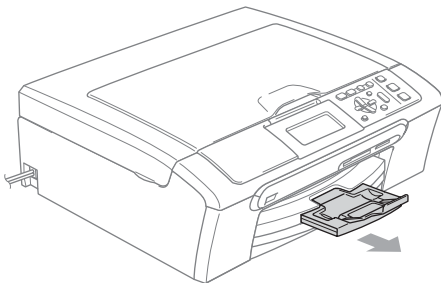
- 6 Lift the scanner cover to release the lock (1). Gently push the scanner cover support down (2) and close the scanner cover (3).



- 7 Push the paper tray firmly back into the machine. While holding the paper tray in place, pull out the paper support until it clicks and unfold the paper support flap.

## Note

Make sure you pull out the paper support until it clicks.



# Routine maintenance

## Replacing the ink cartridges

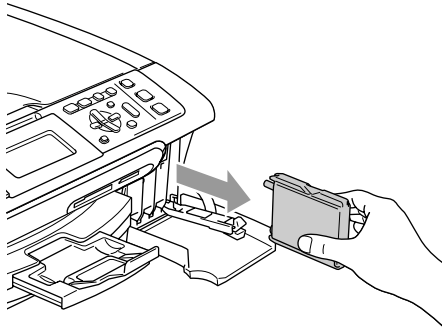
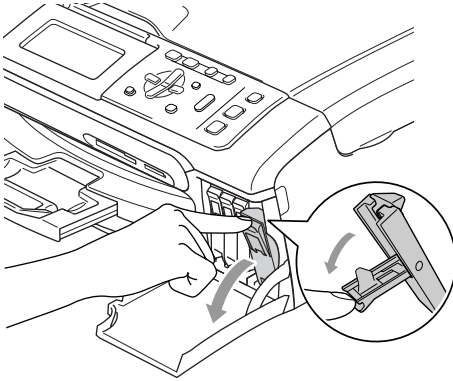
Your machine is equipped with an ink dot counter. The ink dot counter automatically monitors the level of ink in each of the 4 cartridges. When the machine detects an ink cartridge is running out of ink, the machine will tell you with a message on the LCD.

The LCD will tell you which ink cartridge is low or needs replacing. Be sure to follow the LCD prompts to replace the ink cartridges in the correct order.

Even though the machine tells you that an ink cartridge is empty, there will be a small amount of ink left in the ink cartridge. It is necessary to keep some ink in the ink cartridge to prevent air from drying out and damaging the print head assembly.

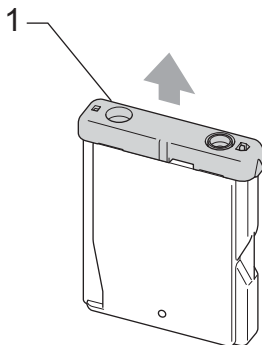
- 1 Open the ink cartridge cover. If one or more ink cartridges are empty, for example Black, the LCD shows Ink Empty and **BK** Black.

- 2 Pull the lock release lever down and take out the ink cartridge for the colour shown on the LCD.



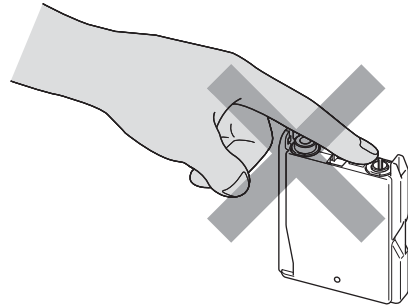
- 3 Open the new ink cartridge bag for the colour shown on the LCD, and then take out the ink cartridge.

- 4 Remove the protective yellow cap (1).



### Improper Setup

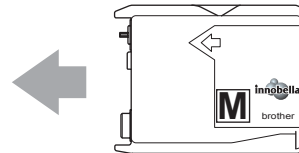
DO NOT touch the area shown in the illustration below.



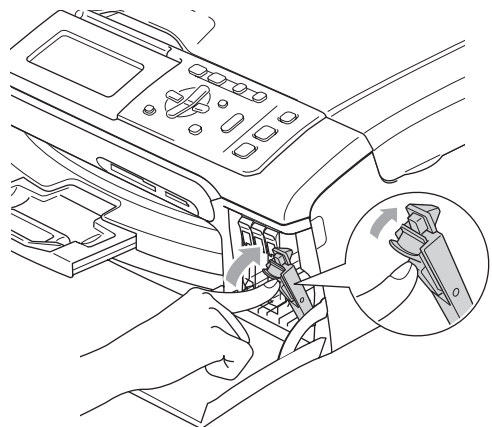
### Note

If the protective yellow caps come off when you open the bag, the cartridge will not be damaged.

- 5 Each colour has its own correct position. Insert the ink cartridge in the direction of the arrow on the label.



- 6 Lift the lock release lever and push it until it clicks, and then close the ink cartridge cover.



- 7 The machine will automatically reset the ink dot counter.



### Note

- If you replaced an ink cartridge, the LCD may ask you to verify that it was a brand new one. (For example, Did You Change **BK** Black) For each new cartridge you installed, press + (Yes) to automatically reset the ink dot counter for that colour. If the ink cartridge you installed is not a brand new one, be sure to press - (No).
- If the LCD shows No Cartridge after you install the ink cartridges, check that the ink cartridges are installed properly.



### WARNING

If ink gets in your eyes, wash them out with water at once and call a doctor if you are concerned.



### CAUTION

DO NOT take out ink cartridges if you do not need to replace them. If you do so, it may reduce the ink quantity and the machine will not know the quantity of ink left in the cartridge.

DO NOT touch the cartridge insertion slots. If you do so, the ink may stain your skin.

If ink stains your skin or clothing, wash with soap or detergent at once.

If you mix the colours by installing an ink cartridge in the wrong position, clean the print head several times after correcting the cartridge installation.

Once you open an ink cartridge, install it in the machine and use it up within six months of installation. Use unopened ink cartridges by the expiration date written on the cartridge package.

DO NOT dismantle or tamper with the ink cartridge, this can cause the ink to leak out of the cartridge.

Brother multifunction machines are designed to work with ink of a particular specification and will work to a level of optimum performance when used with genuine Brother Branded ink cartridges. Brother cannot guarantee this optimum performance if ink or ink cartridges of other specifications are used. Brother does not therefore recommend the use of cartridges other than genuine Brother Branded cartridges or the refilling of empty cartridges with ink from other sources. If damage is caused to the print head or other parts of this machine as a result of using incompatible products with this machine, any repairs required as a result may not be covered by the warranty.



## Cleaning the outside of the machine

### ! CAUTION

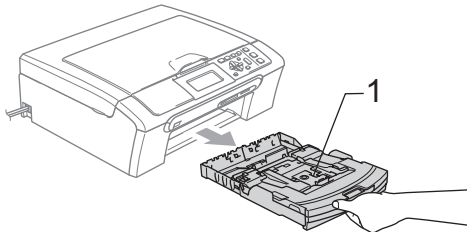
Use neutral detergents. Cleaning with volatile liquids such as thinner or benzine will damage the outside surface of the machine.

DO NOT use cleaning materials that contain ammonia.

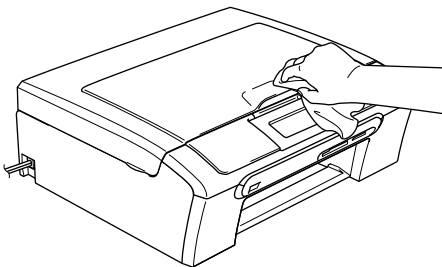
DO NOT use isopropyl alcohol to remove dirt from the control panel. It may crack the panel.

Clean the outside of the machine as follows:

- 1 Pull the paper tray (1) completely out of the machine.

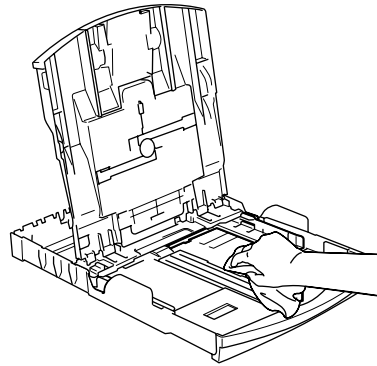


- 2 Wipe the outside of the machine with a soft cloth to remove dust.



- 3 Lift the output paper tray cover and remove anything that is stuck inside the paper tray.

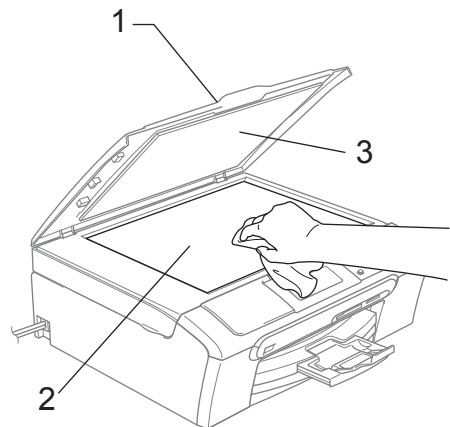
- 4 Wipe the inside and outside of the paper tray with a soft cloth to remove dust.



- 5 Close the output paper tray cover and put the paper tray firmly back in the machine.

## Cleaning the scanner

- 1 Lift the document cover (1). Clean the scanner glass (2) and the white plastic (3) with a soft lint-free cloth moistened with a non-flammable glass cleaner.



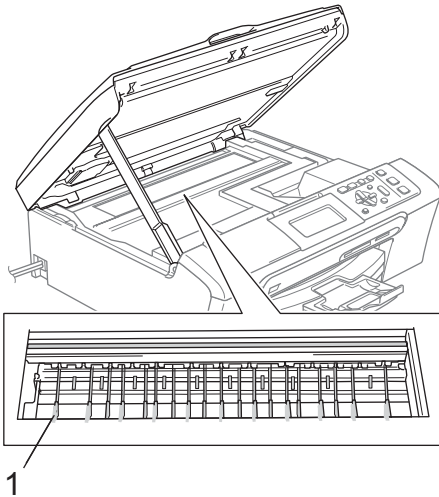
B

## Cleaning the machine printer platen

### WARNING

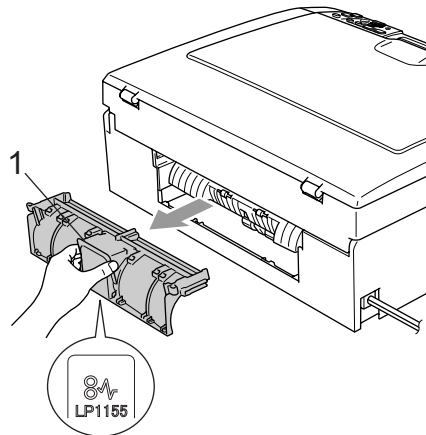
Unplug the machine from the AC power outlet before cleaning the printer platen (1).

- 1 Using both hands, use the plastic tabs on both sides of the machine to lift the scanner cover until it locks securely into the open position.
- 2 Clean the machine printer platen (1) and the area around it, wiping off any scattered ink with a soft, dry, lint-free cloth.



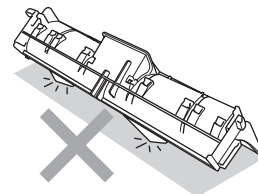
## Cleaning the paper pick-up roller

- 1 Pull the paper tray completely out of the machine.
- 2 Unplug the machine from the electrical socket and remove the Jam Clear Cover (1).

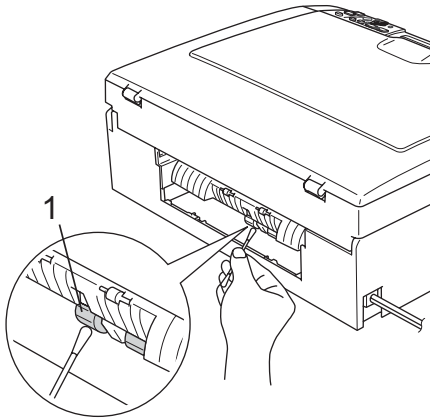


### CAUTION

DO NOT place the jam clear cover face down as shown in the illustration. You may damage the cover and cause paper jams.



- 3 Clean the paper pick-up roller (1) with isopropyl alcohol on a cotton swab.



- 4 Put the Jam Clear Cover back on. Make sure the cover is set properly.
- 5 Re-connect the power cord.
- 6 Slowly push the paper tray completely back into the machine.

## Cleaning the print head

To maintain print quality, the machine will automatically clean the print head when needed. You can start the cleaning process manually if there is a print quality problem.

Clean the print head and ink cartridges if you get a horizontal line in the text or graphics on your printed pages. You can clean Black only, three colours at a time (Yellow/Cyan/Magenta), or all four colours at once.

Cleaning the print head consumes ink. Cleaning too often uses ink unnecessarily.

### ! CAUTION

DO NOT touch the print head. Touching the print head may cause permanent damage and may void the print head's warranty.

- 1 Press **Ink Management**.
- 2 Press **▲** or **▼** to choose **Cleaning**. Press **OK**.
- 3 Press **▲** or **▼** to choose **Black**, **Color** or **All**. Press **OK**.  
The machine cleans the print head. When cleaning is finished, the machine will go back to standby mode automatically.



### Note

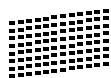
If you clean the print head at least five times and the print has not improved, call your Brother dealer.

## Checking the print quality

If faded or streaked colours and text appear on your output, some of the nozzles may be clogged. You can check this by printing the Print Quality Check Sheet and looking at the nozzle check pattern.

- 1 Press **Ink Management**.
- 2 Press **▲** or **▼** to choose **Test Print**. Press **OK**.
- 3 Press **▲** or **▼** to choose **Print Quality**. Press **OK**.
- 4 Press **Colour Start**. The machine begins printing the Print Quality Check Sheet.
- 5 Check the quality of the four colour blocks on the sheet.
- 6 Do one of the following:
  - If all lines are clear and visible, press **+** to choose **Yes**, and go to step 10.
  - If you can see missing short lines as shown below, press **-** to choose **No**.

OK



Poor



- 7 The LCD asks you if the print quality is OK for black and three colours. Press **+** (**Yes**) or **-** (**No**).
- 8 The LCD asks you if you want to start cleaning. Press **+** (**Yes**). The machine starts cleaning the print head.

- 9 After cleaning is finished, press **Colour Start**. The machine starts printing the Print Quality Check Sheet again and then returns to step 5.

- 10 Press **Stop/Exit**. If you repeat this procedure at least five times and the print quality is still poor, replace the ink cartridge for the clogged colour. After replacing the ink cartridge, check the print quality. If the problem still exists, repeat the cleaning and test print procedures at least five times for the new ink cartridge. If ink is still missing, call your Brother dealer.

### ! CAUTION

DO NOT touch the print head. Touching the print head may cause permanent damage and may void the print head's warranty.

### Note



When a print head nozzle is clogged the printed sample looks like this.



After the print head nozzle is cleaned, the horizontal lines are gone.

## Checking the print alignment

You may need to adjust the print alignment after transporting the machine if your printed text becomes blurred or images become faded.

- 1 Press **Ink Management**.
- 2 Press **▲** or **▼** to choose **Test Print**. Press **OK**.
- 3 Press **▲** or **▼** to choose **Alignment**. Press **OK**.
- 4 Press **Mono Start** or **Colour Start**. The machine starts printing the Alignment Check Sheet.
- 5 Check the 600 dpi and 1200 dpi test prints to see if number 5 most closely matches number 0.
  - If the number 5 samples of both the 600 dpi and 1200 dpi test prints are the best matches, press **+** (**Yes**) to finish Alignment Check, and go to step 8.
  - If another test print number is a better match for either 600 dpi or 1200 dpi, press **-** (**No**) to choose it.
- 6 For 600 dpi, press **◀** or **▶** to choose the number of the test print that most closely matches the number 0 sample (1-8). Press **OK**.
- 7 For 1200 dpi, press **◀** or **▶** to choose the number of the test print that most closely matches the number 0 sample (1-8). Press **OK**.
- 8 Press **Stop/Exit**.

## Checking the ink volume

You can check the ink that is left in the cartridge.

- 1 Press **Ink Management**.
- 2 Press **▲** or **▼** to choose **Ink Volume**. Press **OK**. The LCD shows the ink volume.
- 3 Press **Stop/Exit**.



### Note

You can check the ink volume from your computer. (See *Printing for Windows*<sup>®</sup> or *Printing and Faxing for Macintosh*<sup>®</sup> in the Software User's Guide on the CD-ROM.)

# Machine Information

## Checking the serial number

You can see the machine's serial number on the LCD.

- 1 Press **Menu**.
- 2 Press **▲** or **▼** to choose `Machine Info..`  
Press **OK**.
- 3 Press **▲** or **▼** to choose `Serial No..`  
Press **OK**.
- 4 Press **Stop/Exit**.

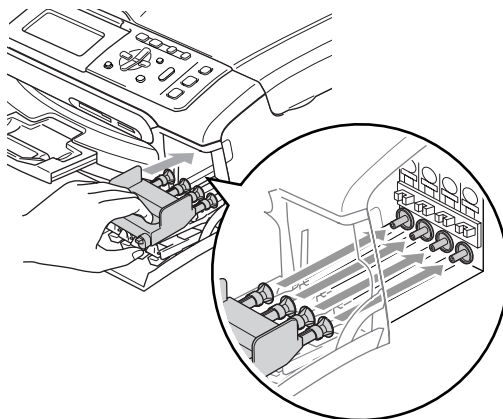
# Packing and shipping the machine

When you transport the machine, use the packing materials that came with your machine. If you do not pack the machine properly, you could void your warranty.

## ! CAUTION

It is important to allow the machine to 'park' the print head after a print job. Listen carefully to the machine before unplugging it to make sure that all mechanical noise has stopped. Not allowing the machine to finish this parking process may lead to print problems and possible damage to the print head.

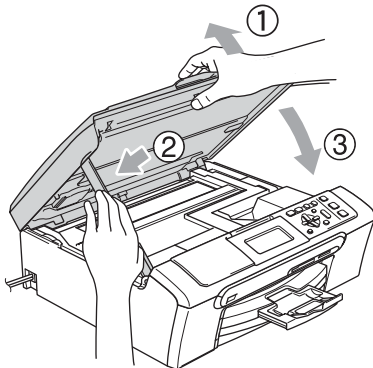
- 1 Open the ink cartridge cover.
- 2 Pull the lock release levers down and take out all the ink cartridges. (See *Replacing the ink cartridges* on page 70.)
- 3 Install the yellow protective part, lift each lock release lever and push it until it clicks, and then close the ink cartridge cover.



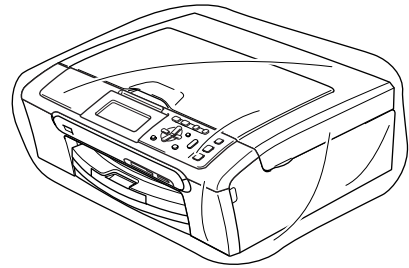
**! CAUTION**

If you are not able to find the yellow protective part, DO NOT remove the ink cartridges before shipping. It is essential that the machine be shipped with either the yellow protective part or the ink cartridges in position. Shipping without them will cause damage to your machine and may void your warranty.

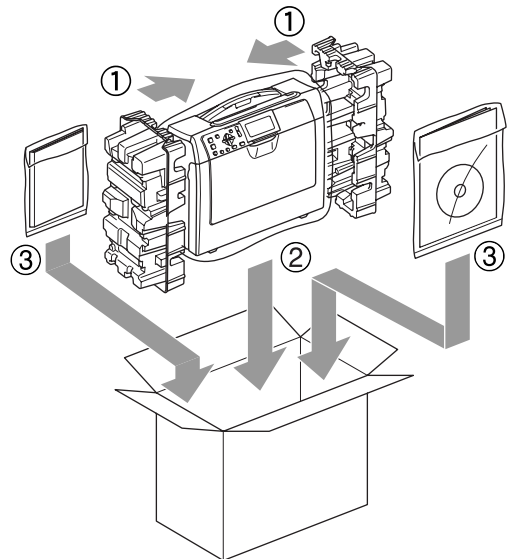
- 4 Unplug the machine from the electrical socket.
- 5 Using both hands, use the plastic tabs on both sides of the machine to lift the scanner cover until it locks securely into the open position. Then unplug the interface cable from the machine, if it is connected.
- 6 Lift the scanner cover to release the lock (1). Gently push the scanner cover support down (2) and close the scanner cover (3).



- 7 Wrap the machine in the bag and put it in the original carton with the original packing material.



- 8 Pack the printed materials in the original carton as shown below. Do not pack the used ink cartridges in the carton.



- 9 Close the carton and tape it shut.

## On-screen programming






Your machine is designed to be easy to use with LCD on-screen programming using the menu keys. User-friendly programming helps you take full advantage of all the menu selections your machine has to offer.

Since your programming is done on the LCD, we have created step-by-step on-screen instructions to help you program your machine. All you need to do is follow the instructions as they guide you through the menu selections and programming options.

### Menu table

You can program your machine by using the Menu table that begins on page 81. These pages list the menu selections and options.

## Mode and menu keys


Photo Capture  Scan  Menu 	Access the main menu, PhotoCapture menu or Scan menu.
▲ ▼	Scroll through the current menu level.
◀	Go back to the previous menu level.
▶	Go to the next menu level.
OK 	<ul style="list-style-type: none"> <li>■ Go to the next menu level.</li> <li>■ Accept an option.</li> </ul>
Stop/Exit 	Stop the current operation.




## Menu table


The menu table will help you understand the menu selections and options that are found in the machine's programs. The factory settings are shown in Bold with an asterisk.


Menu 

Level 1	Level 2	Level 3	Options	Descriptions	Page	
General Setup	Paper Type	—	Plain Paper* Inkjet Paper Brother Photo Other Photo Transparency	Sets the type of paper in the paper tray.	20	
	Paper Size	—	Letter Legal <b>A4*</b> A5 10x15cm	Sets the size of the paper in the paper tray.	20	
	LCD Settings	LCD Contrast		Light <b>Med*</b> Dark	Adjusts the contrast of the LCD.	21
		Backlight		Light* Dark	You can adjust the brightness of the LCD backlight.	21
		Dim Timer		Off 10Secs 20Secs <b>30Secs*</b>	You can set how long the LCD backlight stays on for after the last key press.	22
		Off Timer		<b>Off*</b> 1Min 2Mins 3Mins 5Mins 10Mins 30Mins	You can set how long the LCD stays on for after the last key press.	22
	 The factory settings are shown in Bold with an asterisk.					


## LAN menu

Level1	Level2	Level3	Level4	Options	Descriptions
LAN	Wired LAN	TCP/IP	<b>BOOT Method</b>	<b>Auto*</b> Static RARP BOOTP DHCP	Chooses the BOOT method that best suits your needs.
			<b>IP Address</b>	[000-255]. [000-255]. [000-255]. [000-255]	Enter the IP address.
			<b>Subnet Mask</b>	[000-255]. [000-255]. [000-255]. [000-255]	Enter the Subnet mask.
			<b>Gateway</b>	[000-255]. [000-255]. [000-255]. [000-255]	Enter the Gateway address.
			<b>Node Name</b>	BRN_XXXXXX	You can see the current Node name.
			<b>WINS Config</b>	<b>Auto*</b> Static	Chooses the WINS configuration mode.
			<b>WINS Server</b>	(Primary) 000.000.000.000 (Secondary) 000.000.000.000	Specifies the IP address of the primary or secondary server.
			<b>DNS Server</b>	(Primary) 000.000.000.000 (Secondary) 000.000.000.000	Specifies the IP address of the primary or secondary server.
			<b>APIPA</b>	<b>On*</b> Off	Automatically allocates the IP address from the link-local address range.
			See Network User's Guide on the CD-ROM		
 The factory settings are shown in Bold with an asterisk.					


Level1	Level2	Level3	Level4	Options	Descriptions
LAN (Continued)	Wired LAN (Continued)	Ethernet	—	<b>Auto*</b> 100B-FD 100B-HD 10B-FD 10B-HD	Chooses the Ethernet link mode.
			TCP/IP	BOOT Method	<b>Auto*</b> Static RARP BOOTP DHCP
	IP Address	[000-255]. [000-255]. [000-255]. [000-255]			Enter the IP address.
		Subnet Mask			[000-255]. [000-255]. [000-255]. [000-255]
	Gateway				[000-255]. [000-255]. [000-255]. [000-255]
		Node Name			BRW_XXXXXX
	WINS Config	<b>Auto*</b> Static			Chooses the WINS configuration mode.
	WINS Server	(Primary) 000.000.000.000 (Secondary) 000.000.000.000			Specifies the IP address of the primary or secondary server.
	DNS Server	(Primary) 000.000.000.000 (Secondary) 000.000.000.000			Specifies the IP address of the primary or secondary server.
	See <i>Network User's Guide on the CD-ROM</i>				
	The factory settings are shown in Bold with an asterisk.				


Level1	Level2	Level3	Level4	Options	Descriptions	
LAN (Continued)	WLAN (Continued)	TCP/IP (Continued)	APIPA	On* Off	Automatically allocates the IP address from the link-local address range.	
		Setup Wizard	—	—	You can configure your print server.	
		SecureEasy Setup	—	—	You can configure the wireless network easily.	
		AOSS	—	—	You can configure the wireless network easily.	
		WLAN Status	Status	—	You can see the current wireless network status.	
			Signal	—	You can see the current wireless network signal strength.	
			SSID	—	You can see the current SSID.	
			Comm. Mode	—	You can see the current Communication Mode.	
		Network I/F	—	—	Wired LAN* WLAN	You can choose the network connection type.
		Factory Reset	—	—	Yes No	Restores all wired and wireless network settings to the factory default.
	See <i>Network User's Guide on the CD-ROM</i>					
		The factory settings are shown in Bold with an asterisk.				


## Menu (continued)

Level1	Level2	Level3	Options	Descriptions	Page
Print Reports	Help List	—	—	Prints these lists and reports.	8
	User Settings	—	—		
	Network Config	—	—		
Machine Info.	Serial No.	—	—	Lets you check the serial number of your machine.	78
Initial Setup	Date&Time	—	—	Puts the date and time on the LCD and in headings of faxes you send.	See <i>Quick Setup Guide</i>
	Local Language	—	<b>English*</b> French German Dutch Italian	Allows you to change the LCD language for your country.	See <i>Quick Setup Guide</i>
 The factory settings are shown in Bold with an asterisk.					


## Copy (Default display)

Level 1	Level 2	Level 3	Options	Descriptions	Page
Quality	—	—	Fast <b>Normal*</b> Best	Choose the Copy resolution for your type of document.	25
Enlarge/Reduce	—	—	50% 69% A4→A5 78% LGL→LTR 83% LGL→A4 93% A4→LTR 97% LTR→A4 <b>100%*</b> 104% EXE→LTR 142% A5→A4 186% 10x15cm→LTR 198% 10x15cm→A4 200% Custom (25-400%)	You can choose the enlargement or reduction ratio for your type of document.	25
 The factory settings are shown in Bold with an asterisk.					


Level 1	Level 2	Level 3	Options	Descriptions	Page
Paper Type	—	—	Plain Paper* Inkjet Paper Brother Photo Other Photo Transparency	Choose the paper type that matches the paper in the tray.	28
Paper Size	—	—	Letter Legal <b>A4*</b> A5 10x15cm	Choose the paper size that matches the paper in the tray.	28
Brightness	—	—	◀Dark +2 +1 <b>0</b> * -1 -2 Light▶	Adjusts the brightness of copies.	27
Contrast	—	—	◀- +2 +1 <b>0</b> * -1 -2 ▶	Adjusts the contrast of copies.	27
RED Adjust	—	—	◀- +2 +1 <b>0</b> * -1 -2 ▶	Adjusts the amount of Red in copies.	27
GREEN Adjust	—	—	◀- +2 +1 <b>0</b> * -1 -2 ▶	Adjusts the amount of Green in copies.	27
BLUE Adjust	—	—	◀- +2 +1 <b>0</b> * -1 -2 ▶	Adjusts the amount of Blue in copies.	27
Page Layout	—	—	<b>Off (1 in 1)*</b> 2 in 1 (P) 2 in 1 (L) 4 in 1 (P) 4 in 1 (L) Poster (3 x 3)	You can make N in 1 or Poster copies.	26
 The factory settings are shown in Bold with an asterisk.					

Level 1	Level 2	Level 3	Options	Descriptions	Page
Set New Default	—	—	Yes No	You can save your copy settings.	28
Factory Reset	—	—	Yes No	You can restore all settings to the factory settings.	28
 The factory settings are shown in Bold with an asterisk.					


## PhotoCapture

Level 1	Level 2	Level 3	Options	Descriptions	Page
View Photo(s)	—	—	See the print settings in the following table.	You can preview your photos on the LCD.	33
Print Index	<b>Paper Type</b>	—	<b>Plain Paper*</b> Inkjet Paper Brother Photo Other Photo	You can print a thumbnail page.	34
	<b>Paper Size</b>	—	Letter <b>A4*</b>		
Print Photos	—	—	See the print settings in the following table.	You can print an individual image.	34
Photo Effects	<b>Auto Correct</b> <b>Enhance Skin-Tone</b> <b>Enhance Scenery</b> <b>Remove Red-Eye</b> <b>Monochrome</b> <b>Sepia</b>	—	See the print settings in the following table.	You can adjust your photos with these settings.	35
Search by Date	—	—	—	You can search your photos from date.	38
Print All Photos	—	—	See the print settings in the following table.	You can print all photos in your media card or USB Flash memory drive.	39
Slide show	—	—	—	The machine starts a Slide Show of your photos.	39
Trimming	—	—	—	You can trim your photo and print a part of the image.	40
 The factory settings are shown in Bold with an asterisk.					


## Print Settings

Option 1	Option 2	Option 3	Option 4	Descriptions	Page
<b>Print Quality</b> (For DPOF printing) This does not appear.	Normal <b>Photo*</b>	—	—	Choose the print quality.	42
<b>Paper Type</b>	Plain Paper Inkjet Paper Brother Photo <b>Other Photo*</b>	—	—	Choose the paper type.	42
<b>Paper Size</b>	Letter A4 <b>10x15cm*</b> 13x18cm	(When A4 or Letter is chosen) 10 x 8cm 13 x 9cm 15 x 10cm 18 x 13cm 20 x 15cm <b>Max. Size*</b>	—	Choose the paper and print size.	42
<b>Brightness</b> (Does not appear when Photo Effects is chosen.)	◀Dark +2 +1 0 -1 -2 ▶Light	—	—	Adjusts the brightness.	43
<b>Contrast</b> (Does not appear when Photo Effects is chosen.)	◀- +2 +1 0 -1 -2 ▶+	—	—	Adjusts the contrast.	43
<b>Color Enhance</b> (Does not appear when Photo Effects is chosen.)	On <b>Off*</b>	White Balance	◀- +2 +1 0 -1 -2 ▶+	Adjusts the hue of the white areas.	43
		Sharpness	◀- +2 +1 0 -1 -2 ▶+	Enhances the detail of the image.	
		Color Density	◀- +2 +1 0 -1 -2 ▶+	Adjusts the total amount of colour in the image.	
 The factory settings are shown in Bold with an asterisk.					



Option 1	Option 2	Option 3	Option 4	Descriptions	Page
<b>Cropping</b>	On* Off	—	—	Crops the image around the margin to fit the paper size or print size. Turn this feature off if you want to print whole images or prevent unwanted cropping.	44
<b>Borderless</b>	On* Off	—	—	Expands the printable area to fit the edges of the paper.	44
<b>Set New Default</b>	Yes No	—	—	You can save your print settings.	44
<b>Factory Reset</b>	Yes No	—	—	You can restore all settings to the factory settings.	44
 The factory settings are shown in Bold with an asterisk.					

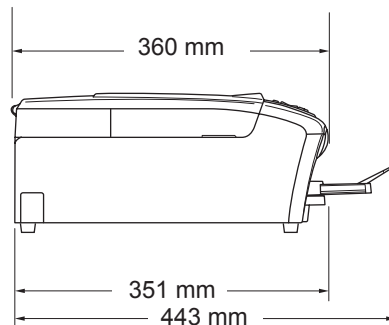
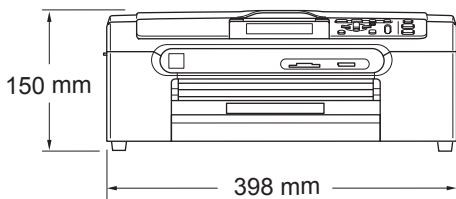
## Scan

Level 1	Option 1	Option 2	Option 3	Descriptions	Page
<b>Scan to E-mail</b>	—	—	—	You can scan a monochrome or a colour document into your E-mail application.	See <i>Software User's Guide on the CD-ROM</i>
<b>Scan to Image</b>	—	—	—	You can scan a colour picture into your graphics application.	
<b>Scan to OCR</b>	—	—	—	You can have your text document converted to an editable text file.	
<b>Scan to File</b>	—	—	—	You can scan a monochrome or a colour document into your computer.	
<b>Scan to Media</b> (when a memory card or USB Flash memory drive is inserted.)	<b>Color 150 dpi*</b> Color 300 dpi Color 600 dpi B/W 200x100 dpi B/W 200 dpi	<b>PDF*/JPEG</b> <b>PDF*/JPEG</b> <b>PDF*/JPEG</b> <b>TIFF*/PDF</b> <b>TIFF*/PDF</b>	—	You can choose the scan resolution and file format for your document.	45
 The factory settings are shown in Bold with an asterisk.					

## General

<b>Memory Capacity</b>	32 MB	
<b>Paper Tray</b>	100 Sheets [80 g/m <sup>2</sup> ]	
<b>Printer Type</b>	Ink Jet	
<b>Print Method</b>	Black:	Piezo with 94 × 1 nozzle
	Colour:	Piezo with 94 × 3 nozzles
<b>LCD (liquid crystal display)</b>	83.8 mm Colour LCD	
<b>Power Source</b>	AC 220 to 240V 50/60Hz	
<b>Power Consumption</b>	Power Save Mode:	Average 7 W
	Standby:	Average 9 W
	Operating:	Average 23 W

## Dimensions



<b>Weight</b>	7.3 kg	
<b>Noise</b>	Operating:	50 dB or less <sup>1</sup>
<b>Temperature</b>	Operating:	10 to 35° C
	Best Print Quality:	20 to 33° C
<b>Humidity</b>	Operating:	20 to 80% (without condensation)
	Best Print Quality:	20 to 80% (without condensation)

<sup>1</sup> This depends on printing conditions.

# Print media

## Paper Input

### Paper Tray

- Paper type:

Plain paper, inkjet paper (coated paper), glossy paper<sup>2</sup>, transparencies<sup>1 2</sup> and envelopes

- Paper size:

Letter, Legal, Executive, A4, A5, A6, JIS B5, envelopes (commercial No.10, DL, C5, Monarch, JE4), Photo 2L, Index card and Post card<sup>3</sup>.

Width: 89 mm (3.5 in.) -216 mm (8.5 in.)

Height: 127 mm (5.0 in.) - 356 mm (14.0 in.)

For more details, see *Paper weight, thickness and capacity* on page 13.

- Maximum paper tray capacity: Approx. 100 sheets of 80 g/m<sup>2</sup> plain paper

### Photo Paper Tray

- Paper type:

Plain paper, inkjet paper (coated paper) and glossy paper<sup>2</sup>

- Paper size:

Photo 10×15cm and Photo L.

Width: 89 mm (3.5 in.) -101.6 mm (4.0 in.)

Height: 127 mm (5.0 in.) - 152.4 mm (6.0 in.)

- Maximum paper tray capacity:

Approx. 20 sheets

## Paper Output

Up to 50 sheets of A4 plain paper (face up print delivery to the output paper tray)<sup>2</sup>

<sup>1</sup> Use only transparencies recommended for inkjet printing.

<sup>2</sup> For glossy paper or transparencies, we recommend removing printed pages from the output paper tray immediately after they exit the machine to avoid smudging.

<sup>3</sup> See *Paper type and size for each operation* on page 12.

# Copy

<b>Colour/Monochrome</b>	Yes/Yes
<b>Document Size</b>	Scanner Glass Width: Max. 215.9mm Scanner Glass Height: Max. 297 mm Copy Width: Max. 210 mm
<b>Copy Speed</b>	Monochrome: Up to 22 pages/minute (A4 paper) <sup>1</sup> Colour: Up to 20 pages/minute (A4 paper) <sup>1</sup>
<b>Multiple Copies</b>	Stacks up to 99 pages
<b>Enlarge/Reduce</b>	25% to 400% (in increments of 1%)
<b>Resolution</b>	(Monochrome) <ul style="list-style-type: none"><li>■ Scans up to 600×1200 dpi</li><li>■ Prints up to 1200×1200 dpi</li></ul> (Colour) <ul style="list-style-type: none"><li>■ Scans up to 600×1200 dpi</li><li>■ Prints up to 600×1200 dpi</li></ul>

<sup>1</sup> Based on Brother standard pattern (Fast mode/Stack Copy). Copy speeds vary with the complexity of the document.

# PhotoCapture Center™

<b>Compatible Media</b> <sup>1</sup>	CompactFlash® (Type I only) (Microdrive™ is not compatible) (Compact I/O cards such as Compact LAN card and Compact Modem card are not supported.) Memory Stick® Memory Stick Pro™ Memory Stick Duo™ with adapter MultiMediaCard™ SecureDigital <sup>2</sup> miniSD™ with adapter xD-Picture Card™ <sup>3</sup> USB Flash memory drive <sup>4</sup>
<b>Resolution</b>	Up to 1200×2400 dpi
<b>File Extension</b>	DPOF, EXIF, DCF
(Media Format)	Photo Print: JPEG <sup>5</sup>
(Image Format)	Scan to Media: JPEG, PDF (Colour) TIFF, PDF (Black)
<b>Number of Files</b>	Up to 999 files in the media card  (The folder inside memory cards or USB Flash memory drive is also counted.)
<b>Folder</b>	Files must be stored in the 4th folder level of the memory card or USB Flash memory drive.
<b>Borderless</b>	Letter, A4, Photo 10×15 cm, Photo 13×18 cm <sup>6</sup>

<sup>1</sup> Memory cards, adapters and USB Flash memory drive are not included.

<sup>2</sup> SecureDigital (SD&MMC): 16MB to 2GB  
SecureDigital High Capacity (SDHC): 4GB to 8GB

<sup>3</sup> xD-Picture Card™ Conventional Card from 16MB to 512MB  
xD-Picture Card™ Type M from 256MB to 2GB  
xD-Picture Card™ Type H from 256MB to 2GB

<sup>4</sup> USB 2.0 standard  
USB Mass Storage standard from 16 MB to 8 GB  
Support format: FAT12/FAT16/FAT32

<sup>5</sup> Progressive JPEG format is not supported.

<sup>6</sup> See *Paper type and size for each operation* on page 12.

# PictBridge

**Compatibility**

Supports the Camera & Imaging Products Association PictBridge standard CIPA DC-001. Visit <http://www.cipa.jp/pictbridge> for more information.

**Interface**

USB direct interface

# Scanner

<b>Colour/Monochrome</b>	Yes/Yes
<b>TWAIN Compliant</b>	Yes (Windows® 2000 Professional/XP/XP Professional x64 Edition/Windows Vista™) Mac OS® X 10.2.4 or greater
<b>WIA Compliant</b>	Yes (Windows® XP <sup>1</sup> /Windows Vista™)
<b>Colour Depth</b>	36 bit colour Processing (Input) 24 bit colour Processing (Output) (Actual Input: 30 bit colour/Actual Output: 24 bit colour)
<b>Resolution</b>	Up to 19200 × 19200 dpi (interpolated) <sup>2</sup> Up to 600 × 2400 dpi (optical)
<b>Scanning Speed</b>	Colour: up to 6.02 sec. Monochrome: up to 3.82 sec. (A4 size at 100 × 100 dpi)
<b>Document Size</b>	Scanner Glass Width: Max. 215.9 mm Scanner Glass Height: Max. 297 mm
<b>Scanning Width</b>	210 mm
<b>Greyscale</b>	256 levels

<sup>1</sup> Windows® XP in this User's Guide includes Windows® XP Home Edition, Windows® XP Professional, and Windows® XP Professional x64 Edition.

<sup>2</sup> Maximum 1200 × 1200 dpi scanning when using the WIA Driver for Windows® XP and Windows Vista™ (resolution up to 19200 × 19200 dpi can be chosen by using the Brother scanner utility)

# Printer

<b>Printer Driver</b>	Windows® 2000 Professional/XP/XP Professional x64 Edition/Windows Vista™ driver supporting Brother Native Compression mode  Mac OS® X 10.2.4 or greater: Brother Ink Driver
<b>Resolution</b>	Up to 1200 × 6000 dpi 1200 × 2400 dpi 1200 × 1200 dpi 600 × 600 dpi 600 × 300 dpi 600 × 150 dpi
<b>Print Speed</b>	Monochrome: Up to 30 pages/minute <sup>1</sup>  Colour: Up to 25 pages/minute <sup>1</sup>
<b>Printing Width</b>	204 mm (216 mm) <sup>2</sup>
<b>Disk-Based Fonts</b>	35 TrueType (Windows® only)
<b>Borderless</b>	Letter, A4, A6, Photo 10×15cm, Index Card, Photo L, Photo 2L, Post Card <sup>3</sup>

<sup>1</sup> Based on Brother standard pattern.  
A4 size in draft mode.

<sup>2</sup> When you set the Borderless feature to On.

<sup>3</sup> See *Paper type and size for each operation* on page 12.



# Interfaces

**USB**

A USB 2.0 interface cable that is no longer than 2.0 m. <sup>1 2</sup>

**LAN cable** <sup>3</sup>

Ethernet UTP cable category 5 or greater.

**Wireless LAN**

Your machine supports IEEE 802.11b/g wireless communication with your wireless LAN using Infrastructure mode or a wireless Peer-to-Peer connection in Ad-Hoc Mode.

- <sup>1</sup> Your machine has a full-speed USB 2.0 interface. This interface is compatible with Hi-Speed USB 2.0; however, the maximum data transfer rate will be 12 Mbits/s. The machine can also be connected to a computer that has a USB 1.1 interface.
- <sup>2</sup> Third party USB ports are not supported for Macintosh®.
- <sup>3</sup> See the *Network User's Guide* on the CD-ROM for detailed network specification.

# Computer requirements

SUPPORTED OPERATING SYSTEMS AND SOFTWARE FUNCTIONS						
Operating Systems		Supported Functions	Interface	Minimum Processor	Recommended RAM	Required Hard Disk Space
Windows® 1, 4	2000 Professional	Printing Scanning, Removable Disk <sup>3</sup>	USB 10/100 BASE-TX  Wireless 802.11 b/g	Intel® Pentium® II or AMD equivalent	256MB	480MB
	XP Home XP Professional					
	XP Professional x64 Edition			AMD Opteron™ AMD Athlon™ 64  Intel® Xeon™ with Intel® EM64T  Intel® Pentium® 4 with Intel® EM64T	512MB	
	Windows Vista™			1 GHz 32-bit (x86) or 64-bit (x64) processor	1GB	
Mac® 5	OS X 10.2.4 or greater	Printing Scanning, Removable Disk <sup>3</sup>	USB <sup>2</sup> 10/100 BASE-TX  Wireless 802.11 b/g	PowerPC G4/G5, Intel® Core™ Solo/Duo  PowerPC G3 350MHz	256MB	480MB
Conditions:				For the latest driver updates, visit <a href="http://www.brother.com">www.brother.com</a> . All trademarks, brand and product names are property of their respective companies.		
<p><sup>1</sup> Microsoft® Internet Explorer 5.5 or greater.</p> <p><sup>2</sup> Third party USB ports are not supported.</p> <p><sup>3</sup> Removable disk is a function of PhotoCapture Center™.</p> <p><sup>4</sup> PaperPort™ 11SE supports Microsoft® SP4 or higher for Windows® 2000 and SP2 or higher for XP.</p> <p><sup>5</sup> Presto!® PageManager® on the CD-ROM supports Mac OS X 10.3.9 or higher. For Mac OS X 10.2.4-10.3.8 Presto!® PageManager® is available as a download from the Brother Solutions Center.</p>						

## Consumable items

### Ink

The machine uses individual Black, Yellow, Cyan and Magenta ink cartridges that are separate from the print head assembly.

### Service Life of Ink Cartridge

#### Replacement Ink Cartridges

The first time you install the ink cartridges the machine will use extra ink to fill the ink delivery tubes. This is a one-time process that enables high quality printing. Afterward, replacement ink cartridges will print the specified number of pages.

Black - Approximately 500 pages at 5% coverage

Yellow, Cyan and Magenta - Approximately 400 pages at 5% coverage

- The above figures assume continuous printing at a resolution of 600 x 600 dpi in normal mode after installing a new ink cartridge.
- The number of pages a cartridge will print may change depending on how often you use the machine and how many pages you print with each use.
- The machine will automatically and periodically clean the print head assembly, a process that uses a small amount of ink.
- When the machine identifies a cartridge as empty there may be a small amount of ink left in it. This is necessary to prevent air from drying out and damaging the print head assembly.

### Replacement Consumables

<Black> LC1000BK, <Yellow> LC1000Y, <Cyan> LC1000C, <Magenta> LC1000M

### What is Innobella™?

Innobella™ is a range of genuine consumables offered by Brother. The name "Innobella™" derives from the words "Innovation" and "Bella" (meaning "Beautiful" in Italian) and is a representation of the "innovative" technology providing you with "beautiful" and "long lasting" print results.

When you print photo images, Brother recommends Innobella™ glossy photo paper (BP61GL series) for high quality. Brilliant prints are made easier with Innobella™ Ink and paper.



# Network (LAN)

<b>LAN</b>	You can connect your machine to a network for Network Printing and Network Scanning. Also included is Brother BRAdmin Light <sup>1</sup> Network Management software.
<b>Support for</b>	Windows® 2000 Professional/XP/XP Professional x64 Edition/Windows Vista™ Mac OS® X 10.2.4 or greater Ethernet 10/100 BASE-TX Auto Negotiation (Wired LAN) IEEE 802.11 b/g (Wireless LAN)
<b>Protocols</b>	TCP/IP ARP, RARP, BOOTP, DHCP, APIPA (Auto IP), NetBIOS Name Resolution, WINS DNS Resolver, LPR/LPD, Custom Raw Port/Port9100, FTP Server, mDNS, Web Services, TELNET, SNMP, TFTP, LLTD
<b>Network Security</b>	SSID/ESSID, 128 (104) / 64 (40) bit WEP, WPA/WPA2-PSK (TKIP/AES)
<b>SecureEasySetup™</b>	Yes (simple setup with your SecureEasySetup™-capable access point/router)
<b>AOSS</b>	Yes (simple setup with your AOSS™-capable access point/router)

<sup>1</sup> If you require more advanced printer management, use the latest Brother BRAdmin Professional utility version that is available as a download from <http://solutions.brother.com>.

This is a comprehensive list of features and terms that appear in Brother manuals. Availability of these features depends on the model you purchased.

**Brightness**

Changing the Brightness makes the whole image lighter or darker.

**Contrast**

Setting to compensate for dark or light documents, by making copies of dark documents lighter and light documents darker.

**Colour Enhancement**

Adjusts the colour in the image for better print quality by improving sharpness, white balance and colour density.

**Help list**

A printout of the complete Menu table that you can use to program your machine when you do not have the User's Guide with you.

**Innobella™**

Innobella™ is a range of genuine consumables offered by Brother. For best quality results Brother recommends Innobella™ Ink and Paper.

**LCD (liquid crystal display)**

The display screen on the machine that shows interactive messages during On-Screen Programming.

**Menu mode**

Programming mode for changing your machine's settings.

**OCR (optical character recognition)**

The bundled ScanSoft™ PaperPort™ 11SE with OCR or Presto!® PageManager® software application converts an image of text to text you can edit.

**PhotoCapture Center™**

Allows you to print digital photos from your digital camera at high resolution for photo quality printing.

**PictBridge**

Allows you to print photos directly from your digital camera at high resolution for photo quality printing.

**Scanning**

The process of sending an electronic image of a paper document into your computer.

**Scan to Media**

You can scan a monochrome or colour document into a memory card or USB Flash memory drive. Monochrome images can be in TIFF or PDF file format and colour images may be in PDF or JPEG file format.

**Temporary settings**

You can choose certain options for each copy without changing the default settings.

**User Settings**

A printed report that shows the current settings of the machine.

# F

# Index

## A

Apple® Macintosh®  
See Software User's Guide on the  
CD-ROM. ....

## C

Cleaning  
paper pick-up roller ..... 74  
print head ..... 75  
printer platen ..... 74  
scanner ..... 73  
Consumable items ..... 99  
Control panel overview ..... 6  
ControlCenter  
See Software User's Guide on the  
CD-ROM. ....  
Copy  
brightness ..... 27  
colour saturation ..... 27  
contrast ..... 27  
enlarge/reduce ..... 25  
multiple ..... 24  
page layout (N in 1, poster) ..... 26  
paper size ..... 28  
paper type ..... 28  
quality ..... 25  
Return to default ..... 28  
set new default ..... 28  
single ..... 24  
using scanner glass ..... 9

## D

Direct printing  
from a non-PictBridge camera ..... 49  
from a PictBridge camera ..... 47  
Document  
loading ..... 9

## E

Envelopes ..... 12, 16, 17  
Error messages on LCD ..... 66  
Ink Empty ..... 66  
Near Empty ..... 66  
No Paper Fed ..... 67  
Out of Memory ..... 67  
Unable to Change ..... 67  
Unable to Clean ..... 67  
Unable to Init. .... 67  
Unable to Print ..... 67  
Unable to Scan ..... 67

## G

Greyscale ..... 95

## H

Help  
LCD messages ..... 80  
using Menu keys ..... 80  
Menu Table ..... 80, 81

## I

Ink cartridges  
checking ink volume ..... 77  
ink dot Counter ..... 70  
replacing ..... 70  
Ink key ..... 6  
Innobella™ ..... 99

## J

Jams  
paper ..... 68

## L

LCD (liquid crystal display) ..... 80  
Brightness ..... 21  
Contrast ..... 21  
Dim Timer ..... 22  
Help List ..... 8  
Language ..... 68  
Off Timer ..... 22

## M

Macintosh®	
See Software User's Guide on the CD-ROM. ....	
Maintenance, routine	
replacing ink cartridges .....	70
Menu Table .....	80
Mode, entering	
PhotoCapture .....	6
Scan .....	6

## N

Network	
Printing	
See Network User's Guide on the CD-ROM. ....	
Scanning	
See Software User's Guide on the CD-ROM. ....	
Number of Copies key .....	6

## O

On/Off key .....	6
Out of Memory message .....	67

## P

Paper .....	10, 91
capacity .....	13
loading .....	14, 16, 17
printable area .....	19
size .....	12, 20
type .....	12, 20
PaperPort™ 11SE with OCR	
See Software User's Guide on the CD-ROM and Help in the PaperPort™ 11SE application to access How-to-Guides. ....	
Photo Paper Tray .....	17
PhotoCapture Center™	
Adding Effect .....	35
Borderless .....	44
CompactFlash® .....	30
Cropping .....	44
DPOF printing .....	40

from PC	
See Software User's Guide on the CD-ROM. ....	
Memory Stick Pro™ .....	30
Memory Stick® .....	30
MultiMediaCard™ .....	30
Photo Effects	
Auto Correct .....	35
Enhance Scenery .....	36
Enhance Skin-Tone .....	36
Monochrome .....	37
Remove Red-Eye .....	37
Sepia .....	38
Preview photos .....	33
Print settings	
Brightness .....	43
Colour enhancement .....	43
Contrast .....	43
Paper type & size .....	42
Quality .....	41, 42
Return to factory setting .....	44
Set new default .....	44
Printing	
all photos .....	39
index .....	34
photos .....	34
Scan to memory card .....	45
Scan to USB flash memory .....	45
Search from Date .....	38
SecureDigital .....	30
Slide-Show .....	39
specifications .....	93
Trimming .....	40
xD-Picture Card™ .....	30
PictBridge	
DPOF Printing .....	48
Presto!®PageManager®	
See Help in Presto!®PageManager® application .....	
Print	
area .....	19
difficulties .....	62
drivers .....	96
improving quality .....	76
on small paper .....	18
paper jams .....	68
reports .....	8
resolution .....	96
specifications .....	96
Programming your machine .....	80

## R

---

Reducing copies .....	25
Reports	
Help List .....	8
how to print .....	8
User Settings .....	8
Resolution	
copy .....	92
print .....	96
scan .....	95

## S

---

Safety Instructions .....	58
Scannable area .....	9
Scanner glass	
cleaning .....	73
using .....	9
Scanning	
See Software User's Guide on the CD-ROM. ....	
Serial Number	
how to find.....	See inside front cover
Shipping the machine .....	78

## T

---

Transparencies .....	10, 11, 13, 91
Troubleshooting .....	62
checking ink volume .....	77
error messages on LCD .....	66
if you are having difficulty	
copying .....	64
Network .....	65
PhotoCapture Center™ .....	64
printing .....	62
scanning .....	64
software .....	64
paper jam .....	68
print quality .....	76

## W

---

Windows®	
See Software User's Guide on the CD-ROM. ....	
Wireless Network (DCP-770CW only)	
See Quick Setup Guide and Network User's Guide. ....	



# brother®

**Visit us on the World Wide Web**  
**<http://www.brother.com>**

This machine is approved for use in the country of purchase only. Local Brother companies or their dealers will only support machines purchased in their own countries.

UK/IRE/GEN/SAF

## Free Manuals Download Website

<http://myh66.com>

<http://usermanuals.us>

<http://www.somanuals.com>

<http://www.4manuals.cc>

<http://www.manual-lib.com>

<http://www.404manual.com>

<http://www.luxmanual.com>

<http://aubethermostatmanual.com>

Golf course search by state

<http://golfingnear.com>

Email search by domain

<http://emailbydomain.com>

Auto manuals search

<http://auto.somanuals.com>

TV manuals search

<http://tv.somanuals.com>