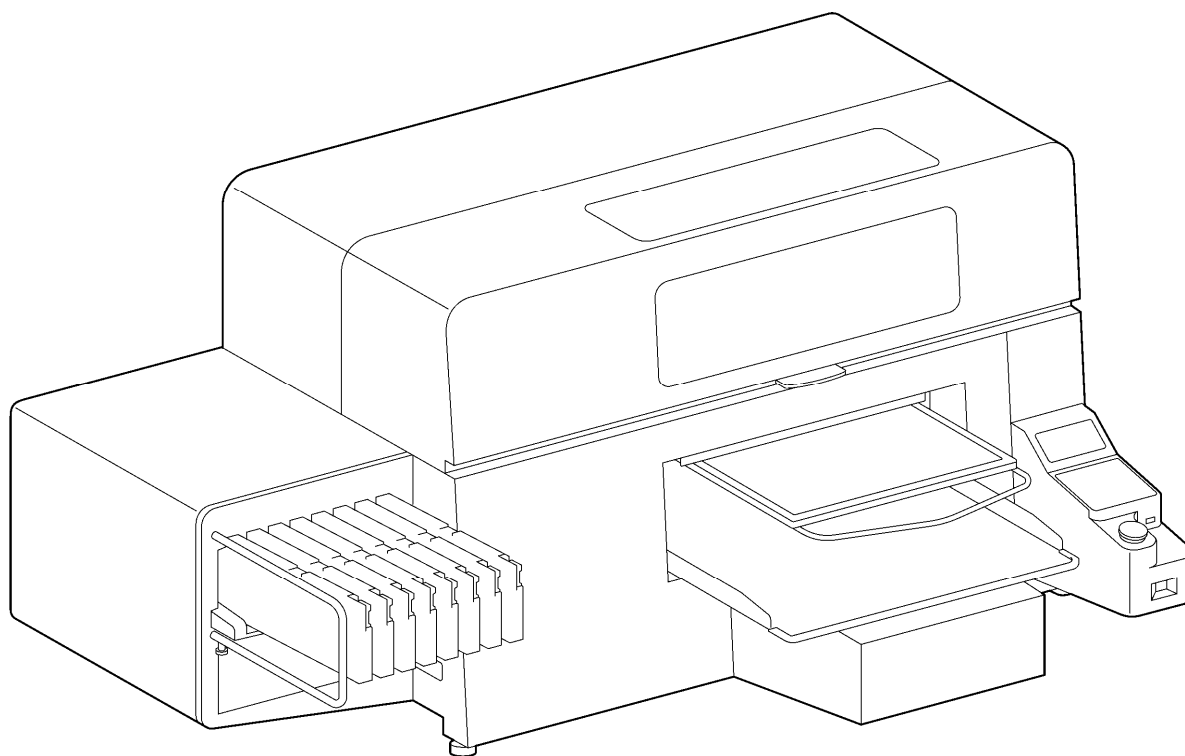


GT-3 Series

BASIC OPERATION MANUAL

Please read this manual before using the printer.
Please keep this manual within easy reach for quick reference.

GARMENT PRINTER



brother[®]

GT Series US support homepage <http://www.brother-usa.com/Garmentprinters/>

Note based on California law (USA) on the use and handling of Perchlorate

This product contains a CR Coin Lithium Battery which contains Perchlorate Material – special handling may apply.

See <http://www.dtsc.ca.gov/hazardouswaste/perchlorate>.




Thank you very much for buying a BROTHER printer. Before using your new printer, please read the safety instructions below and the explanations given in the instruction manual.

SAFETY INSTRUCTIONS


[1] Safety indications and their meanings


This instruction manual and the indications and symbols that are used on the printer itself are provided in order to ensure safe operation of this printer and to prevent accidents and injury to yourself or other people. The meanings of these indications and symbols are given below.


Indications

| | |
|--|---|
|  DANGER | The instructions which follow this term indicate situations where failure to follow the instructions will result in death or serious injury. |
|  WARNING | The instructions which follow this term indicate situations where failure to follow the instructions could result in death or serious injury. |
|  CAUTION | The instructions which follow this term indicate situations where failure to follow the instructions may result in minor or moderate injury. |



Symbols




 This symbol (△) indicates something that you should be careful of. The picture inside the triangle indicates the nature of the caution that must be taken. (For example, the symbol at left means “beware of injury”.)

 This symbol (⊘) indicates something that you must not do.

 This symbol (●) indicates something that you must do. The picture inside the circle indicates the nature of the thing that must be done. (For example, the symbol at left means “you must make the ground connection”.)

[2] Notes on safety

| | |
|---|--|
|  DANGER | |
|  | Wait at least 5 minutes after turning off the power switch and disconnecting the power cord from the wall outlet before opening the right side cover. Do not touch the high-voltage area in the control box as high voltage can result in severe injury. |

| | |
|--|---|
|  WARNING | |
| Basic precautions | |
|  | To prevent accidents and problems, do not modify the machine yourself. Brother will not be held responsible for any accidents or problems resulting from modifications made to the machine. |
|  | Do not handle the power cord with wet hands, otherwise it may cause electric shocks. |

WARNING

Installation



Do not set up the printer in a dusty environment. If dust collects inside the printer, it may cause fire or electric shocks or problems with correct operation.



Do not bend the cords excessively or fasten them too hard with staples or anything similar to secure cords, otherwise there is the danger that fire or electric shocks could occur.



Be sure to connect the ground. If the ground connection is not secure, you run a high risk of receiving a serious electric shock, and problems with correct operation may also occur.

Printing



If a foreign object gets inside the printer, immediately turn off the power switch and disconnect the power cord, and arrange for a service call to resolve.



If you continue to use the printer while there is a foreign object inside, it may result in fire or electric shocks or problems with correct operation.



Do not allow the printer to come into contact with liquids, otherwise it may cause fire or electric shocks or problems with correct operation.



If any liquid gets inside the printer, immediately turn off the power switch and disconnect the power cord.



Contact Brother to arrange a service call to resolve.



Do not use the printer when smoke or a bad odor coming from the printer, otherwise it may cause fire or electric shocks or problems with correct operation.



Immediately turn off the power switch and disconnect the power cord, and arrange for a service call to resolve.

CAUTION

Environmental requirements



Use the printer in an area which is free from sources of strong electrical noise such as electrical line noise or static electric noise. Sources of strong electrical noise may cause problems with correct operation.



Any fluctuations in the power supply voltage should be within $\pm 10\%$ of the rated voltage for the printer. Voltage fluctuations which are greater than this may cause problems with correct operation.



The power supply capacity should be greater than the requirements for the printer's power consumption. Insufficient power supply capacity may cause problems with correct operation.



The ambient temperature should be within the range of 18°C to 30°C during use. Temperatures which are lower or higher than this may cause problems with correct operation.



The relative humidity should be within the range of 35% to 85% during use, and no dew formation should occur in any devices. Excessively dry or humid environments and dew formation may cause problems with correct operation.










Use the printer in a place which is adequately ventilated. A slight odor is generated when the printed articles are being fixed by heat.









In the event of an electrical storm, turn off the power and disconnect the power cord from the wall outlet. Lightning may cause problems with correct operation.

CAUTION








Installation

-  Setting up and moving of the printer should only be carried out by a qualified technician.
-  The printer machine weighs approximately 111 kg (245 lb). Transporting and setting up of the printer should be held in proper way.
-  The machine may fall down and cause injury.
-  The printer must be used on a suitable stable surface, otherwise it may tip over or fall down and cause injury.
Furthermore, the table that supports the printer should be at least 137 cm (53.9 inch) in width and 104.5 cm (41.1 inch) in depth, and should be able to bear a weight of 150 kg (330 lb) or more.
-  Do not set up the printer in a place where it will be affected by vibration. It may become unbalanced and fall down, which cause injury or damage to the printer.
-  Do not connect the power cord until setup is complete, otherwise the printer may operate if the power switch is turned on by mistake, which could result in injury.
-  Do not climb onto the printer or place heavy objects on top of it, otherwise it may become unbalanced and tip over or fall down and cause injury.

Printing

-  This printer should only be used by operators who are appropriately trained in its operation.
-  Ensure there is adequate space left for safe working. The Platen moves forward while operating and it may be injured.
-  Do not handle the platen while printing. If your hand gets caught between the platen or the T-shirt tray and the covers, it may be injured.
-  Do not move the Platen by hand.
The Printer may be mechanically and electrically damaged.
-  Do not put your hands inside the covers while the printer's power is turned on, otherwise your hands may touch against moving parts and this may result in injury.
-  When a problem occurs with the operation of the printer, contact the place of purchase or a qualified technician.

Maintenance

-  Wait at least 1 minute after turning off the power switch before opening the front cover.
Do not touch the head heat sink as it may be HOT and may cause a burn.
-  Be careful not to get your fingers caught when closing the front cover, otherwise it may result in injury to your fingers.
-  Do not move the Platen by hand.
The Printer may be mechanically and electrically damaged.
-  Do not disassemble the ink cartridge.
-  Take care not to let the liquids: Ink, Wash Liquid, Maintenance Solution, Pretreatment or waste liquid come into contact with your eyes or onto your skin, otherwise inflammation can result. In case of contact with eyes, do not rub but immediately rinse the eyes with water.
Furthermore, do not drink the liquids: Ink, Wash Liquid, Maintenance Solution, Pretreatment or waste liquid under any circumstances, as they can cause vomiting and diarrhea.
Keep the liquids out of the reach of children.
-  Be sure to wear protective goggles and gloves when handling the grease, so that they do not get into your eyes or onto your skin. If the grease get into your eyes or onto your skin, inflammation can result. Furthermore, do not drink or eat the grease. They may cause diarrhea or vomiting.
Keep the grease out of the reach of children.
-  When replacing parts and installing optional accessories, be sure to use only genuine Brother parts.
Brother will not be held responsible for any accidents or problems resulting from the use of non-genuine parts.

[3] Warning labels

The following warning labels appear on the printer.

Please follow the instructions on the labels at all times when using the printer. If the labels have been removed or are difficult to read, please contact your nearest Brother dealer.

1

| | | |
|--|---|---|
| | ▲ 危険 高電圧部分にふれて、大けがをすることがある。電源を切り、5分たつてからカバーをはずすこと。 | ▲ 危険 触接高電圧電部分、会導致受傷。在切斷電源5分鐘后、再开启蓋蓋。 |
| ▲ DANGER Hazardous voltage will cause injury. Turn off main switch and wait 5 minutes before opening this cover. | ▲ GEFAHR Hochspannung Verletzungsgefahr! Bitte schalten sie den Hauptschalter aus und warten sie 5 minuten, bevor sie diese abdeckung öffnen. | ▲ PELIGRO Un voltaje inadecuado puede provocar las heridas. Apagar el interruptor principal y esperar 5 minutos antes de abrir esta cubierta. |

2

| | |
|--|---|
| | ▲ WARNING Hazardous moving parts. Keep fingers and other body parts away. |
|--|---|

3

| | | | |
|--|---|--|--|
| | ▲ 注意 プラテンやTシャツトレイと各カバーとの間に手をはさみ、けがをする。印刷中はプラテンから手を離すこと。 | ▲ CAUTION Moving platen, T-shirt tray and covers can cause bodily injury. Keep hands off platen while printing. | ▲ ACHTUNG Druckplatte, T-Shirt-Ablage und Abdeckungen können körperliche Verletzungen verursachen. Halten Sie die Hände von der Auflage während des Druckvorganges fern. |
| | ▲ ATTENTION Déplacement du plateau, chargeur T-shirt et couvercle peut blesser le corps. Garder les mains éloignées lors de l'impression. | ▲ ATENCION Moviendo la placa, la bandeja de camiseta y las cubiertas pueden causar una herida personal. Retire las manos de la placa durante la impresión. | ▲ ATTENZIONE Tavoletta mobile, il ripiano per la T-shirt ed il carter potrebbero causare infortuni. Tenere le mani lontane dalla tavoletta durante la stampa. |

4

| |
|--|
| ▲ 注意 下痢・おう吐する可能性がある。インクなどの液体類を飲まないこと。炎症を起こす可能性がある。インクなどの液体類が目や皮膚に付かないようにすること。子供の手の届かないところに置くこと。 |
| ▲ CAUTION Do not drink the liquids under any circumstances, as they can cause vomiting and diarrhea. Take care not to let the liquids come into contact with your eyes or onto your skin, otherwise inflammation can result. Keep the liquids out of the reach of children. |
| ▲ ACHTUNG Bitte trinken Sie nicht die Flüssigkeiten, da die Gefahr von Erbrechen und Durchfall besteht. Vermeiden Sie den Kontakt der Flüssigkeiten mit Augen und Haut, sonst können diese gereizt werden. Halten Sie die Flüssigkeiten von Kindern fern. |
| ▲ ATTENTION Ne pas avaler les liquides d'aucune manière, car ceci pourrait entraîner vomissements et diarrhée. Veuillez à ne pas laisser ces liquides être en contact avec les yeux ou la peau, car ceci pourrait entraîner une inflammation. Maintenez les liquides hors de portée des enfants. |
| ▲ ATENCION No tome los líquidos en cualquier caso, como pueden causar vomitar y diarrea. Tome el cuidado para no permitir que los líquidos toquen los ojos ni en la piel, de otro modo inflamación puede resultar. Mantenga los líquidos fuera del alcance de niños. |
| ▲ ATTENZIONE Non bere per nessun motivo i liquidi poiché possono causare vomito e diarrea. Evitare il contatto di questi liquidi con gli occhi e con la pelle poiché potrebbero creare infiammazioni. Conservare i liquidi lontano dalla portata dei bambini. |

- 地域の法令に従って廃棄してください。
- Deposite in compliance with your local regulations.
- Gebrauchte es gemäß örtlichen Richtlinien entsorgen.
- Jetez conformément à la réglementation locale en vigueur.
- Deseche siguiendo la normativa local.
- Smaltire in conformità alle normative locali.

5

| | |
|--|--|
| ▲ 注意 下痢・おう吐する可能性がある。インクなどの液体類を飲まないこと。炎症を起こす可能性がある。インクなどの液体類が目や皮膚に付かないようにすること。子供の手の届かないところに置くこと。 | ▲ CAUTION Do not drink the liquids under any circumstances, as they can cause vomiting and diarrhea. Take care not to let the liquids come into contact with your eyes or onto your skin, otherwise inflammation can result. Keep the liquids out of the reach of children. |
| ▲ ACHTUNG Bitte trinken Sie nicht die Flüssigkeiten, da die Gefahr von Erbrechen und Durchfall besteht. Vermeiden Sie den Kontakt der Flüssigkeiten mit Augen und Haut, sonst können diese gereizt werden. Halten Sie die Flüssigkeiten von Kindern fern. | ▲ ATTENTION Ne pas avaler les liquides d'aucune manière, car ceci pourrait entraîner vomissements et diarrhée. Veuillez à ne pas laisser ces liquides être en contact avec les yeux ou la peau, car ceci pourrait entraîner une inflammation. Maintenez les liquides hors de portée des enfants. |
| ▲ ATENCION No tome los líquidos en cualquier caso, como pueden causar vomitar y diarrea. Tome el cuidado para no permitir que los líquidos toquen los ojos ni en la piel, de otro modo inflamación puede resultar. Mantenga los líquidos fuera del alcance de niños. | ▲ ATTENZIONE Non bere per nessun motivo i liquidi poiché possono causare vomito e diarrea. Evitare il contatto di questi liquidi con gli occhi e con la pelle poiché potrebbero creare infiammazioni. Conservare i liquidi lontano dalla portata dei bambini. |

6 **brother** SA6248401

ウォッシュ液 / Wash Liquid
Reinigungsfüssig / Liquide nettoyage
Líquido de lavar / Líquido detergente

| |
|--|
| ▲ 注意 下痢・おう吐する可能性がある。炎症を起こす可能性がある。目に入らないこと。目に入った場合は、瞬みせず、直ちに水で洗い流すこと。 |
| ▲ CAUTION Do not drink the liquid, it can cause vomiting and diarrhea. Do not let the liquid come into contact with your eyes or onto your skin, otherwise inflammation can result. In case of contact with eyes, do not rub but immediately rinse the eyes with water. |
| ▲ ACHTUNG Bitte trinken Sie nicht die Flüssigkeiten, da die Gefahr von Erbrechen und Durchfall besteht. Vermeiden Sie den Kontakt der Flüssigkeiten mit Augen und Haut, sonst können diese gereizt werden. Geraten diese Flüssigkeiten in die Augen, nicht rubben, sondern sofort mit klarem Wasser ausspülen. |
| ▲ ATTENTION Ne pas avaler le liquide, car ceci pourrait causer vomissements et diarrhée. Ne pas laisser le liquide entrer en contact avec les yeux ou la peau, une inflammation en résulterait. En cas de contact avec les yeux, ne frottez pas mais rincez immédiatement vos yeux à l'eau. |
| ▲ ATENCION No tome el líquido, puede causar vomito y diarrea. No permita que el líquido toque los ojos ni en la piel, inflamación puede resultar. En caso de contacto con ojos, no frote pero sí a lavar inmediatamente los ojos con agua. |
| ▲ ATTENZIONE Non bere per nessun motivo i liquidi poiché possono causare vomito e diarrea. Evitare il contatto di questi liquidi con gli occhi e con la pelle poiché potrebbero creare infiammazioni. In caso di contatto con gli occhi non strofinare ma sciacquare immediatamente con acqua. |

9

| | |
|--|--|
| | <ul style="list-style-type: none"> ■ 目に入れないこと。 Do not let liquid in your eyes. ■ Vermeiden Sie den Kontakt der Flüssigkeiten mit Ihren Augen. ■ Ne pas mettre en contact avec les yeux. ■ No permita líquido en los ojos. ■ Non lasciare il liquido a contatto con gli occhi. |
|--|--|

brother

10

| | |
|--|--|
| | Watch your fingers, or you may be injured. |
|--|--|

11

| | |
|--|----------------------------------|
| | High temperature warning display |
|--|----------------------------------|

12

| | |
|--|---|
| | Be sure to connect the ground. If the ground connection is not secure, you run a high risk of receiving a serious electric shock, and problems with correct operation may also occur. |
|--|---|

PE

7

| | | |
|--|---|---|
| | ▲ 注意 本機の上には登らないこと。 | ▲ CAUTION Do not climb onto the printer. |
| | ▲ ACHTUNG Niemals auf den Drucker steigen. | ▲ ATTENTION Ne montez pas sur l'imprimante. |
| | ▲ ATENCION No se suba encima de la impresora. | ▲ ATTENZIONE Non salire sulla stampante. |

■ テーブルの耐荷重は 150 kg 以上のこと。テーブルサイズは 1370 x 1045 mm 以上のこと。
■ The table should be able to bear a weight of 150 kg or more. The table should be at least 1370 x 1045 mm.
■ Der Tisch sollte ein Mindestgewicht von 150 kg tragen können. Der Tisch sollte mindestens 1370 x 1045 mm gross sein.
■ Le plan de travail doit être capable de supporter une charge de 150 kg ou plus. Le plan sur lequel elle est installée doit avoir 1370 x 1045 mm.
■ La mesa debe soportar un peso de 150 kg o más. La mesa sobre la que se instala debe tener 1370 x 1045 mm.
■ Il piano deve essere in grado di sostenere un peso pari a superiore a 150 kg. Il piano deve avere dimensioni di almeno 1370 x 1045 mm.

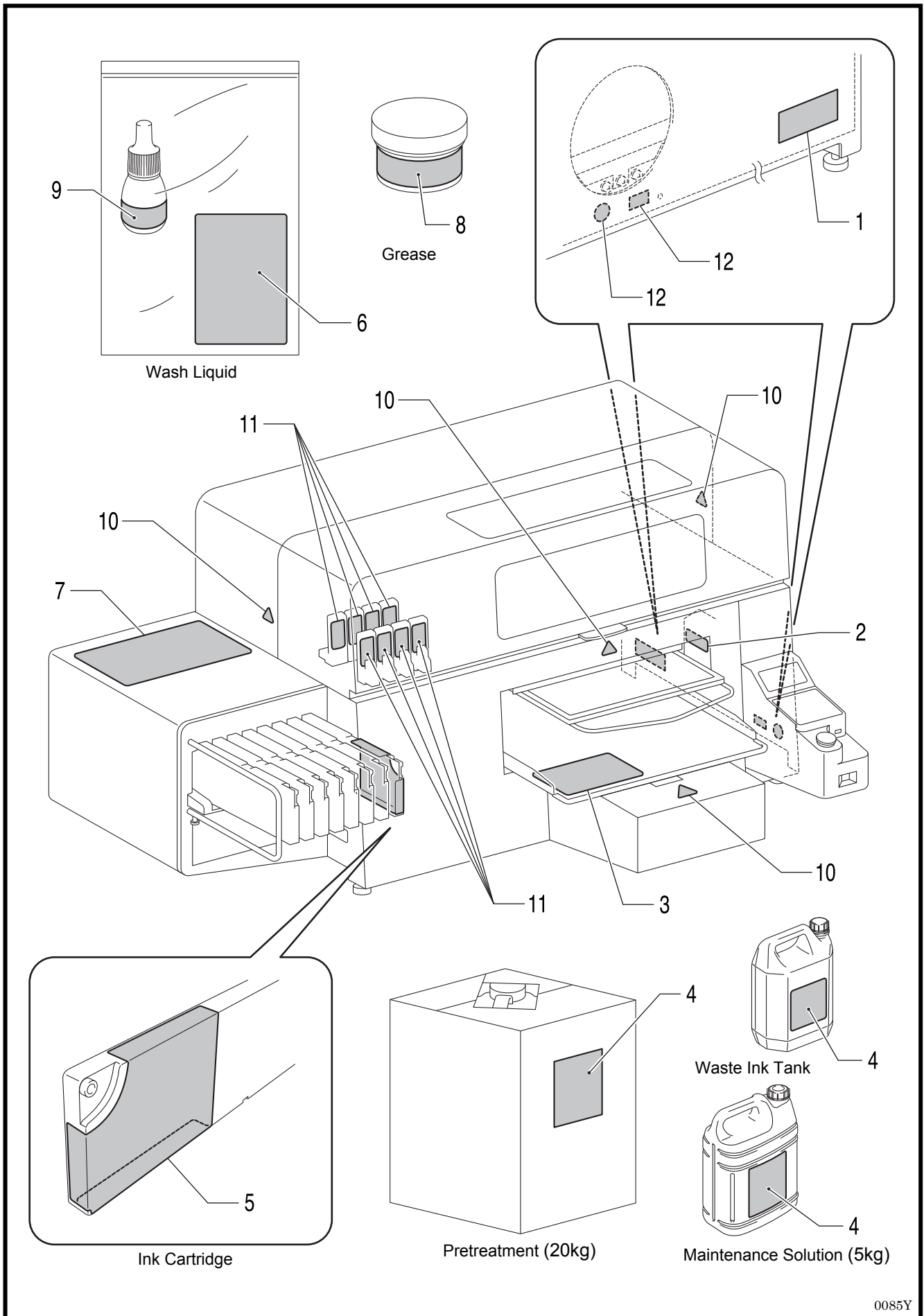
■ 本体を輸送・設置する際は、イラストの位置を守ってください。
■ When transporting and installing the printer, pay your hands in the positions as shown in the illustration.
■ Für den Transport und die Installation haben Sie bitte die Positionen wie in dem Schema gezeigt zum anheben.
■ Lors du transport de l'appareil de transport, respectez les positions indiquées dans l'illustration.
■ Al transport e instalación la impresora, ponga las manos en las posiciones como mostradas en la ilustración.
■ Durante il trasporto e l'installazione alterare la macchina nelle posizioni indicate in figura.

■ 持てはけない部分
■ Positions where you must not lift.
■ An diesen Positionen nie den Drucker anheben.
■ Positiones que vous ne devez pas utiliser.
■ Las posiciones donde usted no debe levantar.
■ NON sollevare alterando nelle posizioni indicate.

8 **brother**

| | |
|--|--|
| ▲ 注意 目に入ったり皮膚につくと、炎症を起こすことがある。保護メガネ、手袋を使うこと。 | ▲ CAUTION Lubricating grease may cause inflammation to eye and skin. Wear protective glasses and gloves. |
| ▲ 注意 食べると、下痢、嘔吐する。食べないこと。 | ▲ CAUTION Swallowing grease can cause diarrhoea and vomiting. Do not swallow. |

グリース GREASE



CONTENTS

| | |
|--|----|
| 1. Read This First | 1 |
| 1-1. Precautions | 1 |
| 1-2. Unpacking Your Printer | 5 |
| 1-3. Required Condition..... | 5 |
| 1-3-1. Environment | 5 |
| 1-3-2. Electrical Requirements..... | 6 |
| 1-3-3. Software Information..... | 6 |
| 1-3-4. Other Requirements..... | 6 |
| 1-3-5. Consumable Requirements and Options | 7 |
| 2. Identifying Your Printer's Parts..... | 8 |
| 2-1. Front | 8 |
| 2-2. Right | 9 |
| 2-3. Rear..... | 9 |
| 2-4. Inside of the Front Cover..... | 10 |
| 2-5. Upper part of the Maintenance Unit..... | 11 |
| 2-6. Under the Platen..... | 12 |
| 2-7. Control Panel | 13 |
| 2-7-1. Display | 14 |
| 2-7-2. Menu List..... | 15 |
| 3. Getting Started..... | 17 |
| 3-1. Placing Your Printer | 18 |
| 3-2. Turning On/Off Your Printer..... | 19 |
| 3-2-1. Turning On Your Printer..... | 19 |
| 3-2-2. Turning Off Your Printer | 20 |
| 3-3. Preparing Your PC..... | 21 |
| 3-3-1. When you already have GT-541/GT-782 | 21 |
| 3-3-2. PC preparation: For Windows XP (32 bit)..... | 21 |
| 3-3-3. Connection with USB 2.0 Cable: for Windows XP | 22 |
| 3-3-4. Installation of PC for Windows Vista / Windows 7 (32 bit / 64 bit)..... | 24 |
| 3-3-5. Connection with USB 2.0 Cable: for Windows Vista / Windows 7 | 25 |
| 3-3-6. Opening the installed manuals | 25 |
| 3-3-7. Opening the Useful Tools | 26 |
| 3-3-8. How to use Firmware Update Tools | 27 |
| 3-4. Setting Up Your Printer..... | 28 |
| 3-4-1. Adjusting the Display Contrast..... | 28 |
| 3-4-2. Adjusting the Speaker Volume..... | 28 |
| 3-4-3. Temperature | 28 |
| 3-4-4. Language | 28 |
| 4. Printing Directly from Applications..... | 29 |
| 4-1. Basic Printing Procedure | 30 |
| 5. Maintenance..... | 31 |
| 5-1. Replacing Consumables | 32 |
| 5-1-1. Replacing the Ink Cartridge..... | 32 |
| 5-1-2. Replacing the Wiper Cleaner and Cleaning the Caps / Wipers | 34 |
| 5-1-3. Replacing Flushing Plate Sponge and Flushing Plate Felt..... | 37 |
| 5-1-4. Replacing the Fan Filter | 37 |
| 5-1-5. Replacing the Roller Felts | 39 |
| 5-1-6. Cleaning the inside of the printer and restart..... | 39 |
| 5-1-7. Cleaning the Encoder Strip | 40 |

| | |
|--|----|
| 5-2. Regular Maintenance..... | 43 |
| 5-2-1. Daily Cleaning White for replacing dull White Ink (Once a day, before printing) | 43 |
| 5-2-2. White Tube Cleaning (once a week)..... | 43 |
| 5-2-3. Waste Ink Disposal | 45 |

1. Read This First

1-1. Precautions

Please observe the following precautions before using your printer.

- GT-3 represents the common specifications of GT-381, GT-361 and GT-341 models. The individual specifications are described with each model name.
- Please advise the following to your customers who buy your printed materials:
 - Printed colors may transfer when a printed surface rubs on a white or light-colored synthetic leather made of PVC (polyvinyl chloride). When printing CMYK-only garments, the CMYK ink may transfer to the White-only printed garment when they rub against each other. In those cases, clean the stains with a soft cloth or toothbrush with a household cleaner or alcohol.
 - Wash away the pretreatment halo marks.
- The printer is designed to be used within the temperature and humidity levels below. Less humidity may cause ink clogging in Print Head nozzles and higher temperature may cause splashy print result. Use the printer within the range of our recommendation for the best print result.

| | Temperature | Humidity |
|---------------------------|------------------------------------|-----------------------------------|
| Keeping your printer | 32 °F to 104 °F (0 °C to 40 °C) | 20 % to 85 % (no condensation) |
| Operating your printer | 50 °F to 95 °F (10 °C to 35 °C) | 35 % to 85 % (no condensation) |
| For the best print result | 64 °F to 86 °F (18 °C to 30 °C) | |

- Do not pull out Ink Cartridge(s) during the operation; it may result in poor print quality or cause damage to your printer.
- Do not turn off your printer, or open the Front Cover during the operation; otherwise the printer may be damaged or spoil the print job.
- Be careful in handling a printed T-shirt that has not yet fixed by heat. Ink is difficult to wash from stained clothes.
- Clean the Caps and Wipers, replace the Wiper Cleaners, Fan Filter, Roller Felts (4), Flushing Plate Sponge (top) and Flushing Plate Felt (bottom) according to our maintenance schedule to maintain good print quality. Those Maintenance Parts are packed together in White, Cyan and Magenta (except 180 cc) ink Cartons. Replace them when you open the new ink cartridge or you see the warning indicated on the display. Print quality may be damaged by insufficient cleaning, e.g. dirty printed materials, mis-firing.
- Never use alcohol when you clean Head Caps and Wiper Blade; it will cause damage to the Print Heads. Use Wash Liquid when you clean around the Print Heads.
- Install the Ink Cartridges in the correct positions as shown. Confirm both the colors of labels on your printer and the Ink Cartridges.
- The printer indicates empty status "Empty XXXX (color)" when the ink cartridge is used up. Replace with a new Ink Cartridge. Make a new Ink Cartridge available when the icon on the Operation Panel starts blinking. A small amount of ink remains to avoid damage to your printer.
- New consumables should be stored away from direct sunlight until they are required. Use up the Ink Cartridges, Pretreatment and Maintenance Solution before the expired date, and CMYK inks should be used up within six months after opening the new one.

- Never refill ink, never reconstruct ink cartridges; ink may cohere inside the cartridge bag, tube or even Print Head and may cause serious damage to your printer. We assume no responsibility for any problem caused by using them. Only genuine new ink cartridges should be used.
- The ink cartridges should always be installed; otherwise the needles may stopped up with ink and your printer may be damaged.
- Tubes and Print Heads for White must be cleaned with Maintenance Solution once a week by the menu Tube Cleaning. The Warning "Clean Tube W*" is indicated on the display of the Control Panel after a week passes since the last Tube Cleaning.
- If the printer is unused for a period of time there is a possibility that Print Heads and Maintenance Unit may become clogged as ink dries. To avoid this, we recommend that the printer should be turned on at least once a week and press the Head Cleaning Button to clean the Print Head. If you are planning not to use your printer for more than two weeks, follow "6-2-5. Required Maintenance for the Long Storage" in the Instruction Manual to keep printer in good condition.
- Shake the White Ink Cartridges once a day before you start printing (30 seconds to 1 minute for each, 1-2 minutes for new one). Hold the cartridge upside down to agitate the pigment in the bottom and shake it horizontally.
- If CMYK inks are printed on a Pretreatment applied T-shirt, ink may wash off. Do not apply Pretreatment when you print without using White ink.
- The clearance between the Clearance Sensor and the surface of the Print Heads should be app. 2 mm. If the clearance is wider, the ink mist will spread inside the printer and the printing material, and may damage the sensors inside. If you print with wider clearance (more than 2 mm) then check the inside of the printer and keep it clean by referring to "5-1-6. Cleaning the inside of the printer and restart" and "5-1-7. Cleaning the Encoder Strip".
- Pretreatment mist may spread out when you use a spray and/or pretreatment applicator. Ventilate your room in operation. Wear a face mask or goggles as necessary.
- Pre-treatment on some T-shirts may be seen after applied and cured, wash lightly with water to remove mark. Some dyes may be decolorized by Pretreatment; we recommend you test the garment before printing.
- Dispose the used waste ink, pretreatment, maintenance solution (all water-based) or other wastes in accordance with your local regulations. Or make contact to your dealer.
- The pretreated area may turn yellow when you apply Pretreatment on a white or light-colored garment. Keep the pretreated garment away from the sunlight and wash the printed T-shirt soon.

<Note> Only for the use in the United States

This device complies with Part 15 of the FCC Rules. Operation is subject to the following two conditions: (1) this device may not cause harmful interference, and (2) this device must accept any interference received, including interference that may cause undesired operation.

1. Read This First

<Note>

Product names used in this manual are, in general, trademarks or registered trademarks of their respective developer or manufacture. However, in this manual, the ® marks or TM marks are not used.

Brother logo is registered trademark of Brother Industries, Ltd.

Microsoft and Windows are either registered trademarks of Microsoft Corporation in the United States and/or other countries.

Corel, CorelDRAW and Paint Shop Pro are registered trademarks of Corel Corporation.

Adobe, Adobe Photoshop, Adobe Illustrator and Adobe Photoshop Elements are either registered trademarks of Adobe Systems Incorporated in the United States and/or other countries.

Other product and company names mentioned herein may be the trademarks or registered trademarks of their respective owners.

Screen shots used in this document are in accordance with the guidelines of Microsoft Corporation.

<Software>

This unit uses software.

Agree with the license agreement to use the software.

Software License Agreement

The customer may download and use this software after agreeing with the various terms stipulated in the Software License Agreement (herein referred to as the "Agreement").

This software cannot be used if the customer disagrees with this agreement.

1. Ownership

The ownership of this software and any reproductions belongs to Brother Industries (herein referred to as "Company") or its supplier, Wind River KK. This agreement does not transfer this company's software copyright to the customer.

2. License Agreement

2-1. This company hereby grants the customer non-exclusive rights to use this software.

2-2. The customer may not conduct the following.

- (1) Modify this software in whole or in part
- (2) Duplicate this software for purposes other for backup purposes
- (3) Reverse engineering, reverse assemble, or reverse compile this software
- (4) Rent or lease this software
- (5) Leave a computer in a public location where this software can be downloaded

3. No Warranty

Except for the expressed and implied warranties set forth herein, this company disclaim all other warranties. This company cannot ensure that this software is not defective, not compatible with specific applications, and the use of this software does not infringe upon third party rights.

4. Restriction of Liability

This company shall not be held responsible for any damage, directly or indirectly, caused by problems or any related problems with this software.

5. Third Party Beneficiary

Wind River KK. and its suppliers (herein collectively referred to as "supplier") are third party beneficiaries of this software in this Agreement and may have enforceable rights of the various terms in this Agreement.

6. License Termination

If the customer violates the conditions stipulated in this Agreement, this company may terminate this Agreement without prior notice.

7. Governing Law

This Agreement shall conform to and be interpreted according to Japanese Law.

8. Separate Terms

Regarding the use of this software by customers not under this Agreement, this company or the supplier of this software shall provide the customer with separate terms (herein referred to as "separate terms"). If the customer agrees to these separate terms, these terms shall take priority over any terms not covered or infringing upon the provisions within the License Agreement.

Agree to abide by the aforementioned terms.

1. Read This First

1-2. Unpacking Your Printer

<Note>

Your printer must be unpacked by a Brother representative or a Brother authorized shipping company.

After unpacking, check that the following parts are included.

Contact Brother Customer Service Hot Line if any of these is missing.

- GT-3 Printer
- Install CD
- AC cord
- Nozzle Cleaning Kit: 2 for GT-381 and GT-361, 1 for GT-341
- Print Heads: 8 for GT-381, 6 for GT-361, 4 for GT-341
- One Waste Ink Tank
- One Encoder Cleaner
- One Maintenance Cartridge for GT-381, GT-361
- One Tube Cleaning Bottle for GT-381, GT-361
- Flushing Plate (including Flushing Plate Felt and Flushing Plate Sponge)
- Print Head Protection Film: 8 for GT-381, 6 for GT-361, 4 for GT-341
- Basic Operation Manual
- "How to uncrate" Manual

<Note>

Filter Cartridges (8 for GT-381, 6 for GT-361, 4 for GT-341) are installed in both Ink Cartridge Slots. Keep them since they should be used for maintenance & transport operations.

1-3. Required Condition

Please use your printer under the conditions described in this section.

1-3-1. Environment

| | Temperature | Humidity |
|---------------------------|------------------------------------|-----------------------------------|
| Keeping your printer | 32 °F to 104 °F (0 °C to 40 °C) | 20 % to 85 % (no condensation) |
| Operating your printer | 50 °F to 95 °F (10 °C to 35 °C) | 35 % to 85 % (no condensation) |
| For the best print result | 64 °F to 86 °F (18 °C to 30 °C) | |

If your room is dry, we recommend using a humidifier to avoid Print Heads from clogging with dried ink.

1-3-2. Electrical Requirements

Power:

Single-phase 100-240 V, 50/60 Hz

Power Consumptions:

0.4 A (average)

1-3-3. Software Information

Supported OS:

Latest Windows XP (32 bit), Windows Vista (32 bit / 64 bit), Windows 7 (32 bit / 64 bit)

Supported Interface:

USB 2.0

Minimum System Requirements:

256 MB RAM (512 MB or more is recommended),
128 MB free disk space (256 MB or more is recommended),
1 GHz CPU (2 GHz or more is recommended.)

Recommended Applications for precise output:

Adobe Photoshop, Adobe Photoshop Elements, Paint Shop Photo Pro (for BMP editing)
Adobe Illustrator, CorelDRAW (for Vector Data editing)

1-3-4. Other Requirements

When purchasing optional tools and devices, choose one that meets the following requirements.

USB cable:

USB 2.0-compliant device cable (A/B)

<Note>

Using other USB 2.0-compliant device cable may result in improper connection.

USB flash memory:

Capacity under 32 GB, FAT 32 formatted,

Heat Press:

Must be able to handle the area of Platen 14 x 16 (355.6 mm x 406.4 mm) and maintain heat production of 356 °F (180 °C) for 35 seconds. Pretreatment must be cured with the heat press instead of oven to keep the surface flat and smooth.

<Note>

When you print with White ink, we recommend using oven instead of heat press. (320°F (160 °C), 3 and half minutes with the tunnel 2.4 meter long as a rough indication)

Separator sheet:

When you cure Pretreatment and ink, be sure to use this to make the surface smooth and flat. When you cure printed ink, use this for separation.

1. Read This First

Urethane mat (continuous foam):

When you cure Pretreatment, use this to release the hot air quickly.

T-shirt:

Made with 100 % cotton, 50 % cotton and 50 % polyester (light-colored are recommended)

<Note>

- Pretreatment on some T-shirts may be seen after applied and cured. In that case, wash lightly with water to remove mark. Some dyes may be decolorized by Pretreatment, especially "dye migration" will occur on Polyester garment. Be sure to test before your production.
- Some manufacturing brands may not work as good as 100% cotton garment. You need to test prior to your production, especially when you print on something new and unknown materials.

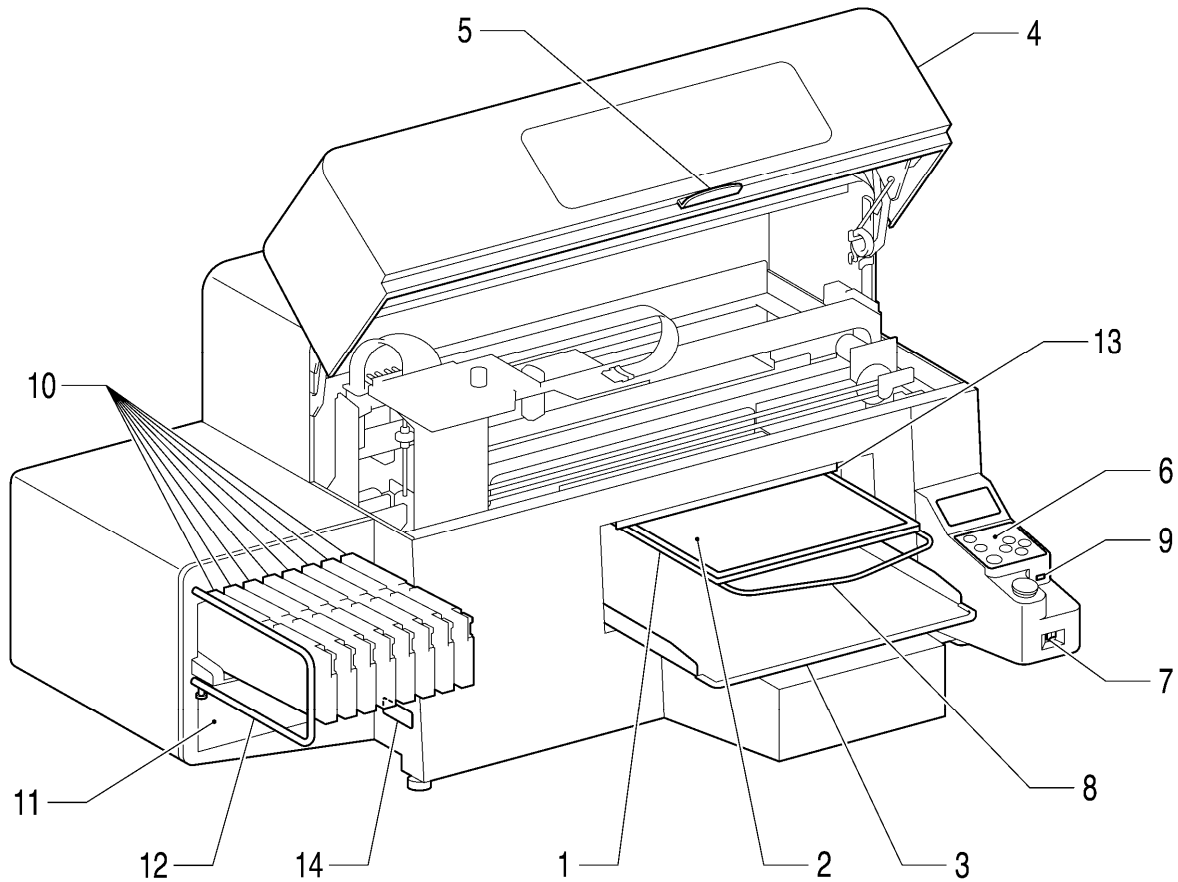
1-3-5. Consumable Requirements and Options

For ordering new or replacement items please use the codes below.

| Consumables | | Parts Code |
|-------------------------------|------------|------------|
| Black Ink Cartridge | 180 cc | GC-30K18 |
| | 380 cc | GC-30K38 |
| Magenta Ink Cartridge | 180 cc | GC-30M18 |
| | 380 cc | GC-30M38 |
| Cyan Ink Cartridge | 180 cc | GC-30C18 |
| | 380 cc | GC-30C38 |
| Yellow Ink Cartridge | 180 cc | GC-30Y18 |
| | 380 cc | GC-30Y38 |
| White Ink Cartridge | 380 cc x 2 | GC-30W38 |
| Maintenance Solution | (5 kg) | GC-50S5K |
| Pretreatment | 20 kg | GC-51P2L |
| Wash Liquid | | SA6248 |
| Maintenance Cleaning Kit | | SB3168 |
| Nozzle Cleaning Kit | | SB3082 |
| Platen Sheet | PLTN 14x16 | SB3035 |
| Platen Sheet S | PLTN 10x12 | SA6401 |
| Platen Sheet SS | PLTN 7x8 | SA8211 |
| Print Head | | SB3184 |
| Pretreatment Roller | | SB1290 |
| Capping Cartridge W | | SB3047 |
| Wiper Cleaner | | SB3101 |
| Grease | | SB3229 |
| Waste Ink Tank | | SB2582 |
| Maintenance Cartridge W | | SB3264 |
| Maintenance Cartridge (Color) | | SB3265 |
| Filter Cartridge W | | SB2512 |
| Filter Cartridge (Color) | | SB2508 |

2. Identifying Your Printer's Parts

2-1. Front

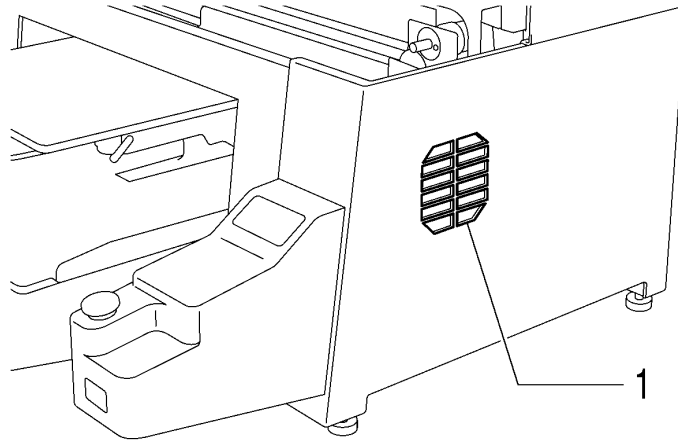


0043Y

| No. | Name | Description |
|-----|--|---|
| 1 | Platen | Holds the T-shirt to be printed. |
| 2 | Platen Sheet | Prevents a T-shirt from slipping so that an image is printed on your desired position. |
| 3 | T-shirt Tray | Keeps parts of T-shirt hanging from the Platen (e.g. sleeves) on this T-shirt Tray. |
| 4 | Front Cover | Open this to work on the inside of your printer, after you turn OFF the printer. (If you open the Front Cover while operating, the power automatically turns off.) |
| 5 | Stop Lever | Unlocks the lock of the Front Cover. Keep pushing it to release the lock when you close the Front Cover. |
| 6 | Control Panel | Indicates the status of the printer. Use this to operate your printer. See "2-7. Control Panel" for the details. |
| 7 | Power Switch | Turns on/off your printer. |
| 8 | Shoulder Bar | Adjusts the T-shirt position. |
| 9 | USB flash drive Slot | Inserts USB flash drive. |
| 10 | Ink Cartridge Slots | Load the Ink Cartridges of the appropriate color: from the left side W1, W2, W3, W4, Black(K), Magenta (M), Cyan (C), Yellow (Y). |
| 11 | Ink Cartridge Storage | Stores the new Ink Cartridges. |
| 12 | Guard Bar | Keeps the loading space of the Platen. |
| 13 | Clearance Sensor (Obstruction Sensor) | Cancels an operation for safety, if it detects obstructions on the Platen. When you lower the platen for printing thicker materials, use Platen Button on the Control Panel and check the movement if the material does not hit the flap of the Clearance Sensor. The sensor will not work when the clearance between the print head and the material is too wide (the platen is too low). Confirm the platen height by referring "4-5. Placing the T-shirt on the Platen" in the Instruction Manual. |
| 14 | Model Plate | Indicates the serial number of the product. |

2. Identifying Your Printer's Parts

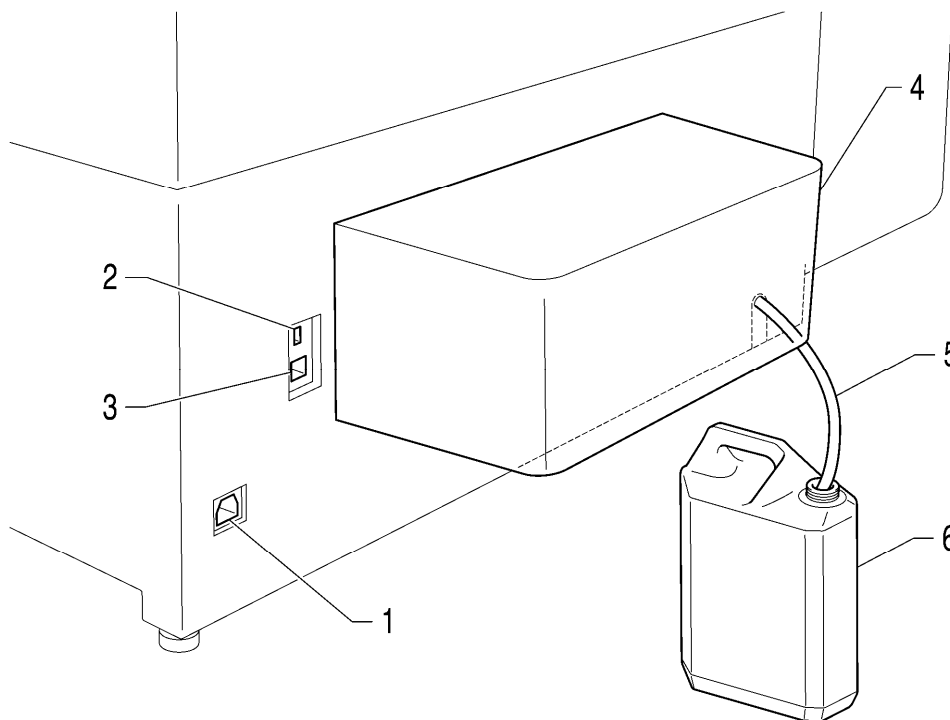
2-2. Right



0044Y

| No. | Name | Description |
|-----|--------------|---|
| 1 | Exhaust slot | The outlet of the Exhaust Fan. Do not cover; Leave the space of 20 cm or more to release the exhaust air. |

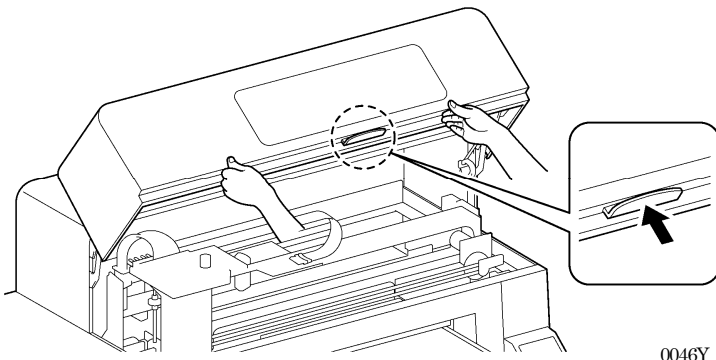
2-3. Rear



0045Y

| No. | Name | Description |
|-----|----------------|--|
| 1 | AC cord socket | Inserts AC cord. |
| 2 | USB port | Inserts USB cable to PC. |
| 3 | LAN port | Inserts LAN cable to PC. |
| 4 | Rear Cover | Covers the Platen moving area. |
| 5 | Waste Ink Tube | Drains the waste ink. |
| 6 | Waste Ink Tank | Holds the waste ink. Be aware of the room. |

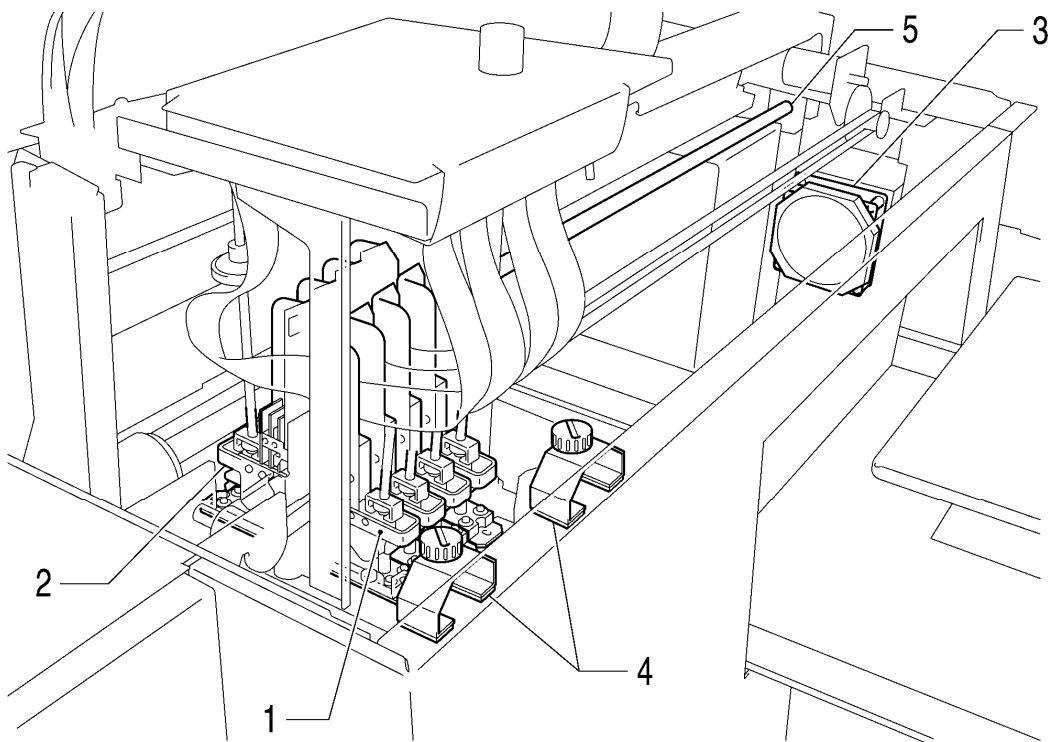
2-4. Inside of the Front Cover



Cancel any operation, restore the Platens and turn off your printer before opening the Front Cover. Lift the Front Cover with both hands until the lock is set when opening. Keep pushing the Stop Lever to release the lock and close the Front Cover with both hands.

<Note> If you open the Front Cover while operating, the power automatically turns off.

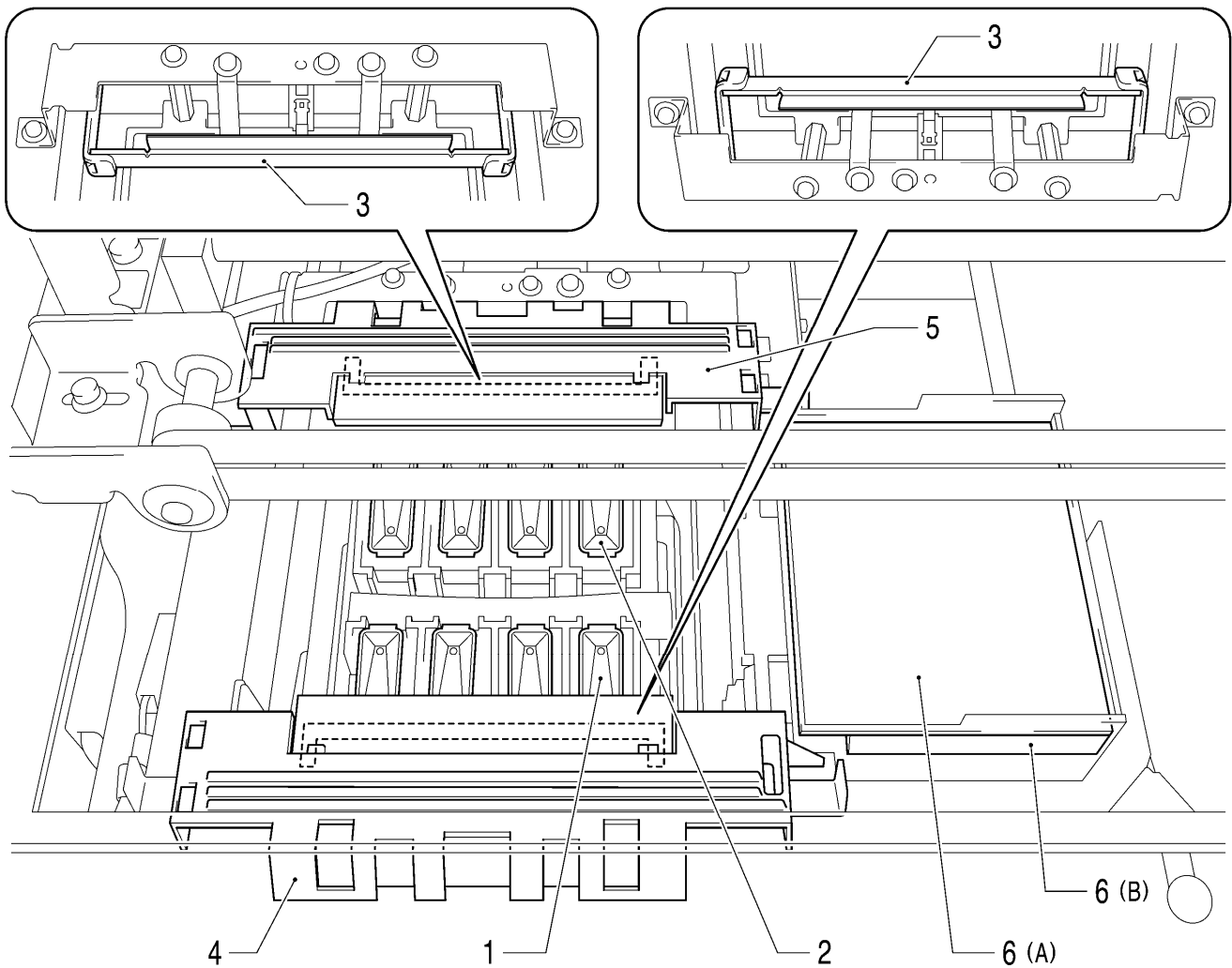
0046Y



0047Y

| No. | Name | Description |
|-----|---------------------------------------|--|
| 1 | Print Heads (Front) | Jets the Color Ink to the platen. From the left black, magenta, cyan, and yellow. |
| 2 | Print Heads (Back) | Jets the White Ink to the platen. From the left W1, W2, W3 and W4. |
| 3 | Filter Cover, Fan Filter, Exhaust Fan | Absorbs ink mist inside the printer. Exchange the Fan Filter inside the Filter Cover at the timing when you exchange Wiper Cleaner. See "5-1-4. Replacing the Fan Filter". |
| 4 | Roller Felts | Protects the roller by wiping off the surface. Exchange the Fan Filter inside the Filter Cover at the timing when you exchange Wiper Cleaner. See "5-1-5. Replacing the Roller Felts". |
| 5 | Carriage Guide Shaft | This may be covered with ink mist and dust. Keep Clean to move the Carriage smoothly. See "5-1-6. Cleaning the inside of the printer and restart " |

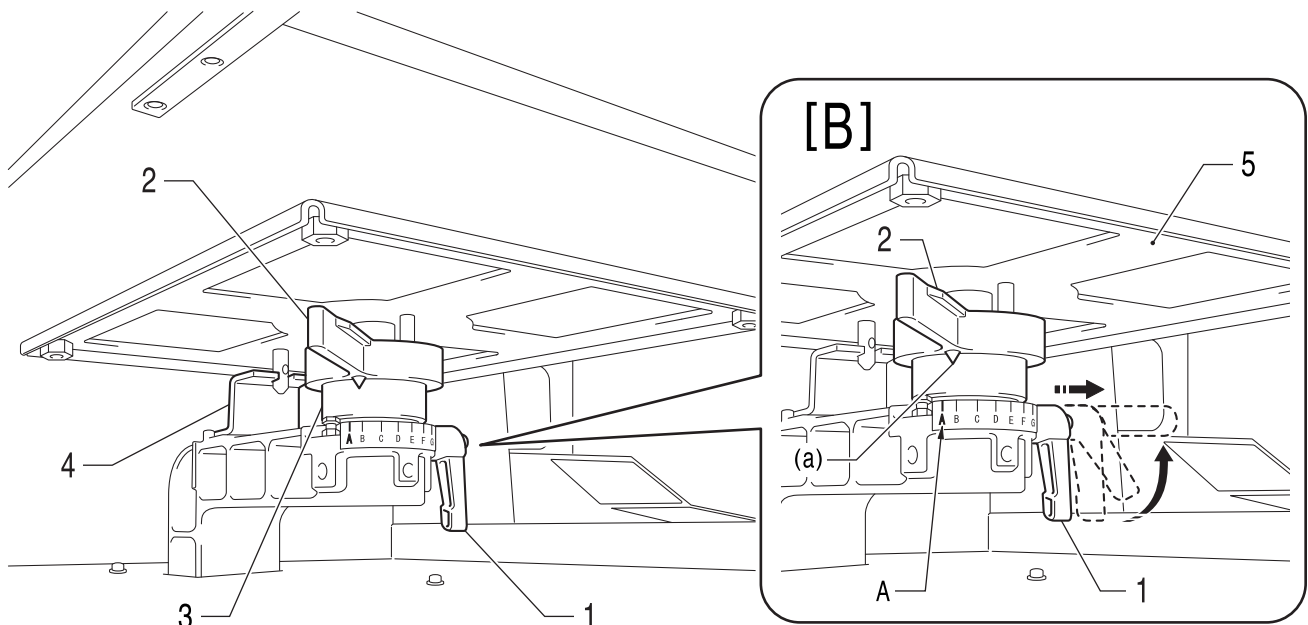
2-5. Upper part of the Maintenance Unit



0048Y

| No. | Name | Description |
|-----|--|--|
| 1 | Caps (Front: Color side) | Cover the surface of the Print Heads and absorb ink in head cleaning. From the left black, magenta, cyan, and yellow. |
| 2 | Caps (Back: White side) | Cover the surface of the Print Heads and absorb ink in head cleaning. From the left W1, W2, W3, and W4. |
| 3 | Wipers (Color / White) | Wipe off the waste ink on the surface of Print Heads. Keep them clean for print quality at the timing when you exchange Wiper Cleaner. See "5-1-2. Replacing the Wiper Cleaner and Cleaning the Caps / Wipers". |
| 4 | Wiper Cleaner (Front: Color side) | Removes the waste ink on the Wiper. Exchange regularly and keep them clean for print quality, at the timing when you open the new ink cartridge or when you see the warning on the display of Control Panel. Remove the projections of both sides and lift it up. See "5-1-2. Replacing the Wiper Cleaner and Cleaning the Caps / Wipers". |
| 5 | Wiper Cleaner (Back: White side) | |
| 6 | Flushing Plate Sponge Flushing Plate Felt | Hold the flushed ink for keeping print quality. Exchange them at the timing when you exchange Wiper Cleaner. See "5-1-3. Replacing the Flushing Plate Sponge and Flushing Plate Felt". |

2-6. Under the Platen



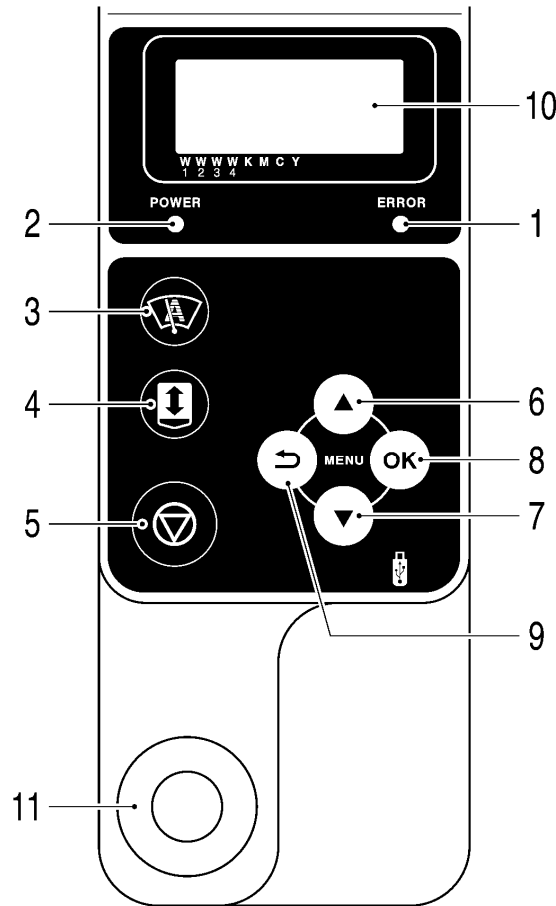
0049Y

| No. | Name | Description |
|-----|--------------------------------|--|
| 1 | Platen Fixing Lever | <p>Fixes the Platen.</p> <p>Tighten/Loosen this lever to install/uninstall the Platen and to adjust the Platen height.</p> <p><In case [B] that you cannot rotate Platen Fix Lever (1) by hitting the Platen (3)> Move the Platen Height Adjustment Lever (2) to the A position in the right image and loose the Platen Fixing Lever (1). When you pull out the Lever (1), you can turn it with no load so that move the Lever (1) to easy-to-operate position. Then tighten the Lever (1) to fix the Platen.</p> |
| 2 | Platen Height Adjustment Lever | <p>Adjusts the Platen height.</p> <p>Left most position "A" is the normal T-shirt position.</p> <p>Check the exact height with Platen Button on Control Panel when you print on thicker material. The adequate clearance between the Flap Sensor and the printed material is app. 2 mm. See "4-5. Placing the T-shirt on the Platen" in the Instruction Manual.</p> <p>Ink mist may spreads inside the printer If you print with wider clearance, the ink mist will spread inside the printer and the printing material, and may damage the sensors.</p> |
| 3 | Bush Platen Shaft | Fixes and holds the Platen. |
| 4 | Platen Positioning Plate | |

<Note>

You can use Lower-the-Platen Assy (option) when you regularly print thicker material, which can lower the platen by 13 mm than the standard height. See "4-4-3. Lowering the Platen height" in the Instruction Manual.

2-7. Control Panel



0050Y

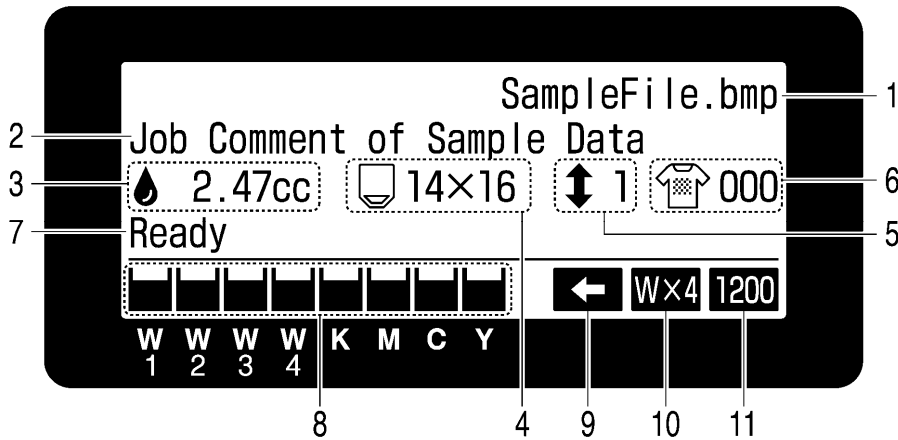
| No. | Name | Description |
|-----|----------------------|--|
| 1 | Error Lamp | OFF: no errors ON: one or more errors have been detected. See "7-4. Error messages" in the Instruction Manual. |
| 2 | Power Lamp | ON: shows the power is ON. |
| 3 | Head Cleaning Button | Cleans all the Print Heads with normal cleaning. (the number of cleaning depends on the model). |
| 4 | Platen Button | Loads / Ejects the Platen. Press this button when you check the adequate height of the Platen after you change the height. See "4-5. Placing the T-shirt on the Platen" in the Instruction Manual. |
| 5 | Stop Button | Cancels printing or Print Head cleaning. Returns to Standby mode. |
| 6 | Up Button | Selects the previous (upper) item. Increases a numeric value. Opens the Menu display. |
| 7 | Down Button | Selects the next (lower) item. Decreases a numeric value. Opens the Menu display. |
| 8 | OK Button | Executes the selected command. Opens the Menu display. Clears the error status. |
| 9 | Back Button | Returns to the previous display. Opens the Menu display. |
| 10 | Display | Displays the Job Comment of the print data received, the status of the printer, and the menu items for various settings. |
| 11 | Print Button | Indicates the print data status and starts the print. OFF: No print data has been received Flashing: Receiving a print data ON: Print data is ready to print. |

<Note>

On machine initialization these lamps have a 30-second self check time.

2-7-1. Display

The following image indicates that GT-3 has received a print data and ready to print. The Display indicates Job, printer status and the information needed for printing operations.



01e0026Y

| No. | Item Shown | Description |
|-----|---------------------------------|---|
| 1 | Job Name | Shows the indentified name of the print data, which is automatically set by Printer Driver. |
| 2 | Job Comment | Shows the 30 characters of the Job Comment set by the operator with Printer Driver. |
| 3 | Amount of Ink Required | Shows how much ink (cc) is required for making one print of the received data. Shows warning message(s) if necessary. |
| 4 | Platen Size | Shows Platen Size set by Printer Driver. |
| 5 | Number of Platen Move | Shows the number of the Platen Move (loading/unloading) in printing one print data. |
| 6 | Number of Print | Shows the number of prints completed of the print data. |
| 7 | Printer Status | Shows the printer status. |
| 8 | Amount of Ink Remained | Shows amount of ink remained in each cartridge, from the left, W1, W2, W3, W4 , Black (K), Magenta (M), Cyan (C) and Yellow (Y). It flashes when ink is low. Prepare the new cartridge(s). |
| 9 | Uni-Directional Print Icon | Shows when the printer or the print data is set to uni-directional printing. |
| 10 | Number of White Print Head Icon | Shows how many White Print Heads are used in printing one print data. |
| 11 | Resolution Icon | Shows the resolution of the print data. |

<Note> When one or more errors are detected, error message(s) will be displayed instead.

2. Identifying Your Printer's Parts

2-7-2. Menu List

Push either one of the OK Button, Up Button, Down Button and Back Button to go into the Menu.

| Menu | Content |
|----------------------|---|
| Head Cleaning | Executes Head Cleaning of either one by one or of all four Print Heads. See "7-2-2. Cleaning the Print Heads" in the Instruction Manual. Normal: normal mis-firing Powerful: After cleaning the Print Head nozzles, when normal head cleaning does not work. |
| Test Print | Prints to check mis-firing and print quality. Nozzle Check CMYK / W: shows mis-firing Standard Check CMYK / W: shows general print quality Whiteness: confirms the white quality Head Test CMYK / W: confirms which print head is broken |
| Daily Cleaning White | Flushes the " thinner and white-less" dull White Ink caused by sinking white pigment. See "5-2-1. Daily Cleaning White for replacing dull White Ink". |
| Print Data Load | Reads a print data (AR3 file) in USB flash drive. The inside folder shows with [...]. |
| Print Direction | Sets the print direction. This setting is prior to Printer Driver setting. Auto: Default Bi-directional, Printer Driver setting is available. Always Uni-Directional: always prints uni-directionally. Always Bi-Directional: always prints bi-directionally. See "7-2-4. Changing the Print Direction" in the Instruction Manual. |
| Maintenance | Goes into the Maintenance submenu. White Tube Cleaning: Cleans the pigment in White Print Heads and Tubes. See "5-2-2. White Tube Cleaning." Load White: Loads White Ink into the Tubes filled with Maintenance Solution after White Tube Cleaning. See "5-2-2. White Tube Cleaning" Initial Cleaning: Loads ink into the empty new Tubes and Print Heads. CMYK ink is loaded directly into Tubes. Maintenance Solution is required before White ink. Maintenance Parts Exchange: See "5-1-2" to "5-1-7". Nozzle Cleaning: Select this menu when you cannot solve mis-firing. See "7-2-6. Cleaning the Print Head Nozzles" in the Instruction Manual. CR Encoder Strip Cleaning: See "5-1-7. Cleaning the Encoder Strip". Head Replacement: See "7-2-7. Replacing the Print Head" in the Instruction Manual. Color Tube Cleaning: See "7-2-7. Replacing the Print Head" in the Instruction Manual. Log Copy to USB: See "7-2-13. Copy Log file to USB flash drive" in the Instruction Manual. |
| Printer Setting | Goes into the Printer Setting. LCD Contrast: Adjusts the Display contrast. See "3-4-1. Adjusting the Display Contrast" Speaker Volume: Adjusts the speaker volume. See "3-4-2. Adjusting the Speaker Volume". Temperature: Sets Fahrenheit / Centigrade. See "3-4-3. Temperature". Auto Cleaning Interval: See "7-2-5. Changing the Auto Cleaning Setting" in the Instruction Manual. CR Speed Adjustment: Adjusts the increase/decrease of the Carriage speed. See "7-2-9. Adjusting the CR Speed" in the Instruction Manual. Flushing Interval: Adjusts the number of lines (interval) to flush ink in printing. See "7-2-10. Adjusting the Flushing Interval" in the Instruction Manual. Flushing Volume: Adjusts the ink volume in flushing. See "7-2-11. Adjusting the Flushing Volume" in the Instruction Manual. |

(Continued on the next page)

| Menu | Content |
|-----------------|---|
| Printer Setting | <p>Daily Cleaning W Setting: Adjusts the amount of White Ink that is flushed in DailyCleaning White. See "7-2-12. Adjusting the amount of White Ink in Daily Cleaning White" in the Instruction Manual.</p> <p>Auto Job Delete: Deletes the print data automatically after the print number which is set with Printer Driver is finished. Default is OFF.</p> <p>GT-341 mode (No White): Sets the printer to stop all the operation of White Heads. See "6-2-5. Required Maintenance for the Long Storage" in the Instruction Manual.</p> |
| Total Print | Shows the number of prints. |
| Platen Reset | Restores the Platen. |
| Language | Sets the language shown on the display. See "3-4-4. Language". |
| Version | Shows versions of the firmware. |

3. Getting Started

Before using your printer, it needs to be correctly setup as described in this chapter.

WARNING



Do not handle the power cord with wet hands, otherwise it may cause electric shocks.



Do not set up the printer in a dusty environment. If dust collects inside the printer, it may cause fire or electric shocks or problems with correct operation.



Be sure to connect the ground. If the ground connection is not secure, you run a high risk of receiving a serious electric shock, and problems with correct operation may also occur.



Do not bend the cords excessively or fasten them too hard with staples or anything similar to secure cords, otherwise there is the danger that fire or electric shocks could occur.



CAUTION



Setting up and moving of the printer should only be carried out by a qualified technician.



The printer machine weighs approximately 111 kg (245 lb). Transporting and setting up of the printer should be held in proper way. The machine may fall down and cause injury.



The printer must be used on a suitable stable surface, otherwise it may tip over or fall down and cause injury.

Furthermore, the table that supports the printer should be at least 137 cm (53.9 inch) in width and 104.5 cm (41.1 inch) in depth, and should be able to bear a weight of 150 kg (330 lb) or more.



Do not set up the printer in a place where it will be affected by vibration. It may become unbalanced and fall down, which cause injury or damage to the printer.



Do not connect the power cord until setup is complete, otherwise the printer may operate if the power switch is turned on by mistake, which could result in injury.



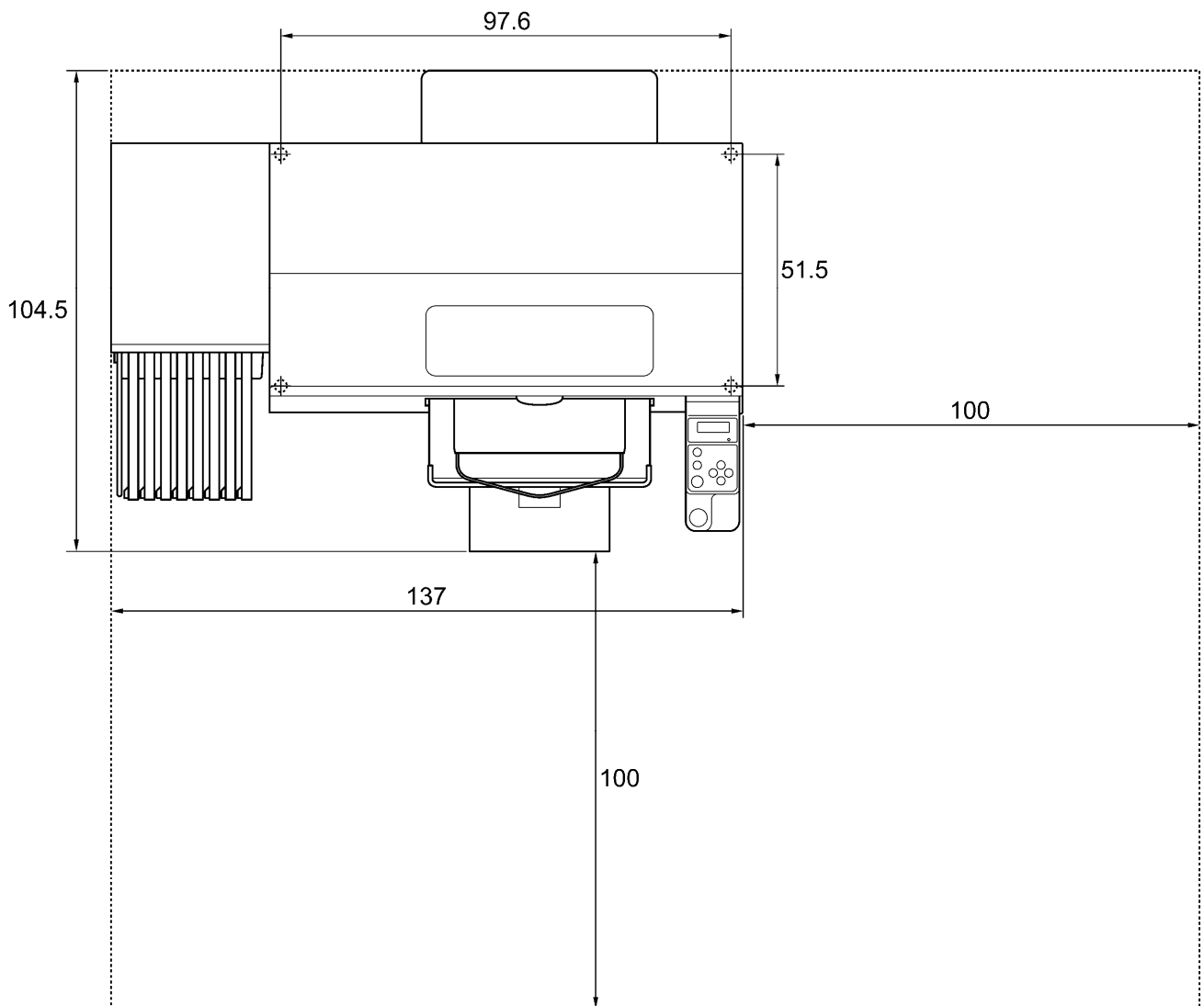
Do not climb onto the printer or place heavy objects on top of it, otherwise it may become unbalanced and tip over or fall down and cause injury.

3-1. Placing Your Printer

Uncrate and Setting the printer by following the steps in Uncrate Manual , which is packed with the printer. Locate your printer taking the following into account

- Environmental conditions are suitable.
- Avoid direct sunlight, dust and extremes of humidity.
- Never use an extension cable.
- A working space must be left around the printer.
Minimum space of 100 cm (39.4 inch) on the front and the right. Keep away from the right side of the Exhaust Fan at least by 20 cm (7.9 inch).
- Body size is app. 137 cm (53.9 inch) x 104.5 cm (41.1 inch) x 66 cm (26.0 inch) and weighs app. 111 kg (245 lb).
- The table that supports the printer should be at least 137 cm (53.9 inch) in width and 104.5 cm (41.1 inch) in depth, and should be able to bear a weight of 150 kg (330 lb) or more. Its tabletop must be level.

Unit:cm



0051Y

3-2. Turning On/Off Your Printer

<Note>

Before you connect the power cord, make sure:

- The Ink Cartridges, Wiper Cleaners and Flushing Sponge et al. are adequately installed.
- Waste ink tube is properly set the Waste Ink Tank*.
(* See "1-3-5. Consumable Requirements and Options" for part code.)
- The Rear Cover is mounted.
- Keep the front space approximately 30 cm (12 inches) on the front as the Platen slides out when operating, and the right space at least 20 cm (7.9 inch) for exhausting air from the Exhaust Fan for exhausting air.

3-2-1. Turning On Your Printer

- (1) Hold the White Ink Cartridges upside down from the inserting position and shake them back and forth beforehand (30 seconds to 1 minute for each).
- (2) Connect the power cord (included) to the AC cord socket of your printer.
- (3) Connect the power plug to the power outlet.
Ensure the printer is connected to a suitable earth point
- (4) Press the Power Switch to turn ON your printer.
Your printer turns on, lights up the Error Lamp and the Print Button while initializing.
The initialization requires approx. 40 seconds. When it finishes, the machine goes to [standby] mode.

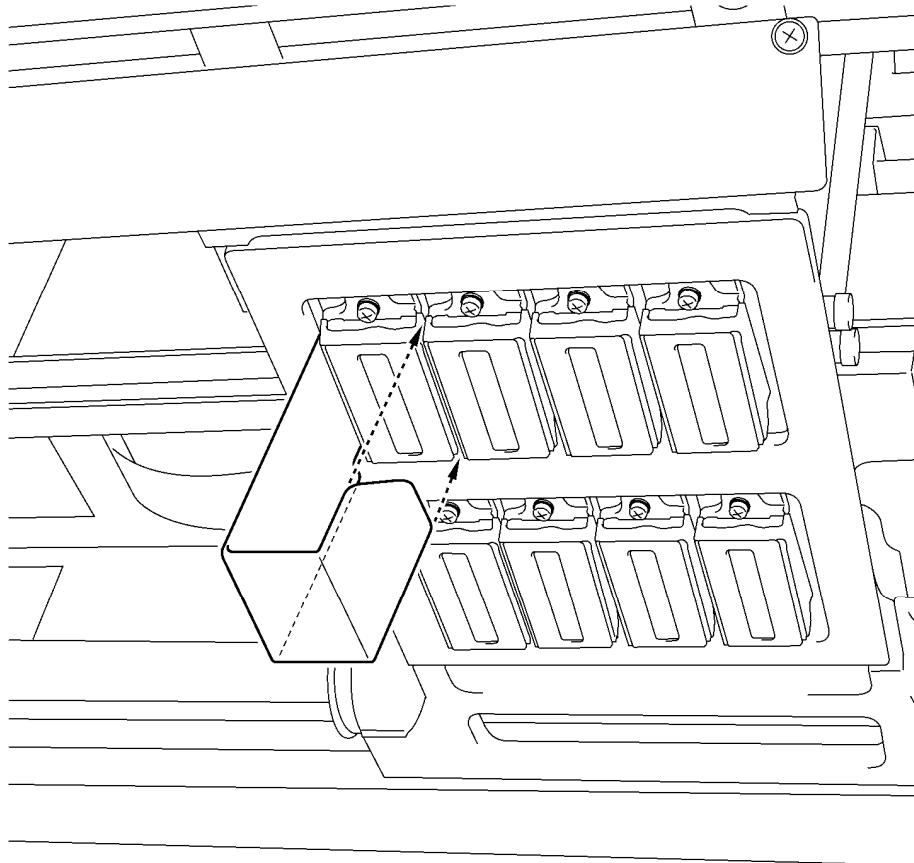
3-2-2. Turning Off Your Printer

When you have finished using your printer, follow the instructions below to turn it off.

- (1) Make sure that your printer is [standby] or [ready] mode.
- (2) Select [Platen Reset] in Menu to store the Platen in the printer.
- (3) Press Power Switch to turn OFF your printer.
- (4) If you are planning not to use your printer for over-two-week periods of time, disconnect the power plug from the power outlet.

<Note>

- As for GT-381 and GT-361, do not leave the White ink inside the printer. White pigment precipitates and may cause serious damage to your printer. Before you start your job, shake the cartridges for 30 seconds to 1 minutes and execute [Daily Cleaning White] to flush the white-less White Ink. Clean the tubes once a week with Maintenance Solution. Follow the steps of "5-2-1. Daily Cleaning White for replacing dull White Ink" and "5-2-2. White Tube Cleaning".
- Do not turn off your printer when it is operating. It may cause serious damage to your printer. If you turn off your printer accidentally during the operation, immediately restart it, and then turn it off correctly following the steps described in this section. If the power supply stops in printing by accident and will not recover soon, then turn OFF the printer and apply the Print Head Protection Films packed in the Print Head to cover the nozzles of the Print Heads so that the Films should protect the nozzles from drying. Wash the surface of the Print Head Protection Films with either the Maintenance Solution or Wash Liquid to protect the Print Head Nozzles from dust. After the power supply is available, remove the Print Head Protection Films and turn ON the printer for initialization and do Head Cleaning.



0052Y

- If the printer is unused for a long time we recommend turning on your printer once a week and press the Head Cleaning Button to protect the Print Heads and Maintenance Unit from drying and clogging. This ensures the ink is kept free flowing. As for White Print Heads, do the powerful cleaning with maintenance solution. If you are planning not to use your printer for more than two weeks, follow "6-2-5. Required Maintenance for the Long Storage" in the Instruction Manual to prevent ink clogging.

3. Getting Started

3-3. Preparing Your PC

This section describes how to install the GT-3 Printer Driver (FileOutput), manuals (Basic Operation Manual/ Instruction Manual), Brother GT-3 File Viewer, and other tools. Make sure the steps because there are some different dialogs shown between Windows XP and Vista / Windows 7.

After those installations are over, install GT-3 Printer Driver (USB) by connecting USB 2.0 cable.

3-3-1. When you already have GT-541/GT-782

You cannot print GT-3 print data (*.ar3) with GT-541/GT-782; the inside format has been changed. Likewise you cannot print GT-541/GT-782 print data (*.arp) with GT-3.

3-3-2. PC preparation: For Windows XP (32 bit)

Install File Output Printer Driver "Brother GT-3 FileOutput" first to your PC.

Do not connect the printer to the PC at this stage.

<Note>

You must be logged on with Administrator rights on the PC.

- (1) Turn on your PC.
- (2) Close all open applications
- (3) Insert the Install CD (included) to your PC.
Open the CD-ROM drive and double-click "Setup.exe".
- (4) The Installer starts installation. Follow the indications of the dialogs.

<Note>

When you install to the PC that the printer drivers and tools are already installed, e.g. updating, the message to confirm uninstallation appears. If you click "Yes", uninstallation starts to uninstall the necessary tools but Printer Driver(s) is/are not uninstalled. If uninstallation fails, a dialog box appears "Uninstallation of the former version failed. Do you want to continue installing the new version?". Click [No] and quit the installer. Open "Add or Remove Programs" of Control Panel and remove "Brother GT-3 Tools". Then start the installation from the beginning.

- (5) During the installation, the following warning appears. Click "Continue Anyway" and continue.



Windows XP

- (6) After installation, your PC will need to restart. Restart your PC. If you are going to use your printer without connecting it to your PC, this will be the end of PC preparation.

3-3-3. Connection with USB 2.0 Cable: for Windows XP

- (1) Connect the USB 2.0 cable to your printer (power OFF).

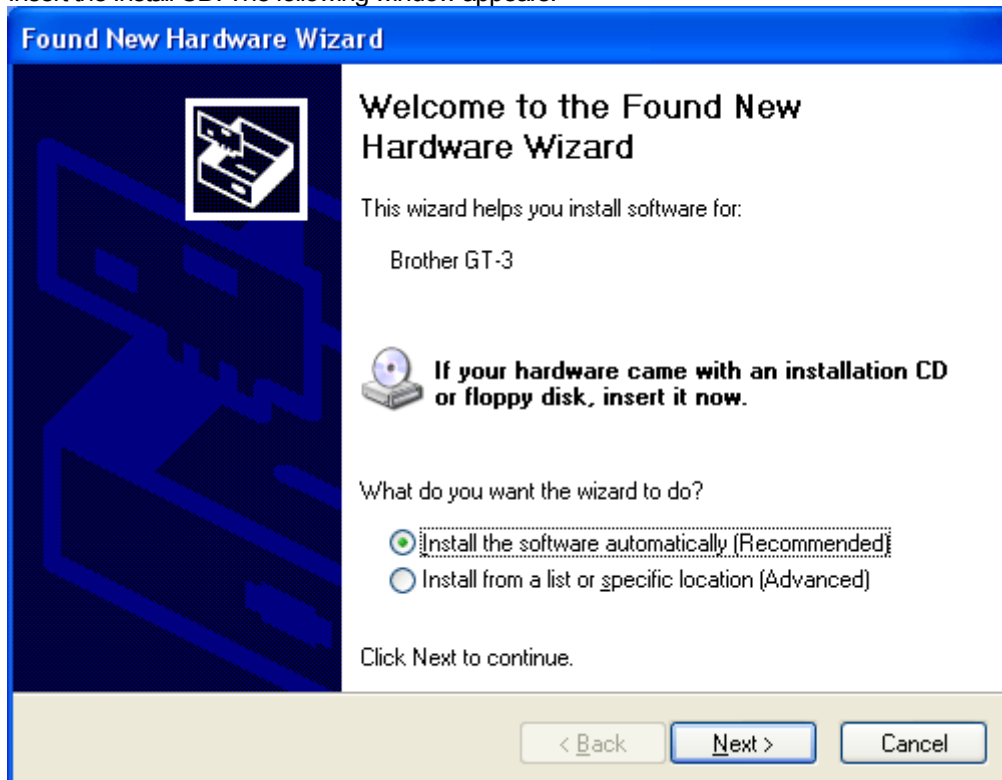
<Note>

We do not recommend connection via a USB hub to the printer.

- (2) Connect the other end of the USB 2.0 Cable to your PC.
- (3) Turn on your GT-3 printer. The following window appears. Select "No, not this time", and then click "Next".



- (4) Insert the Install CD. The following window appears.

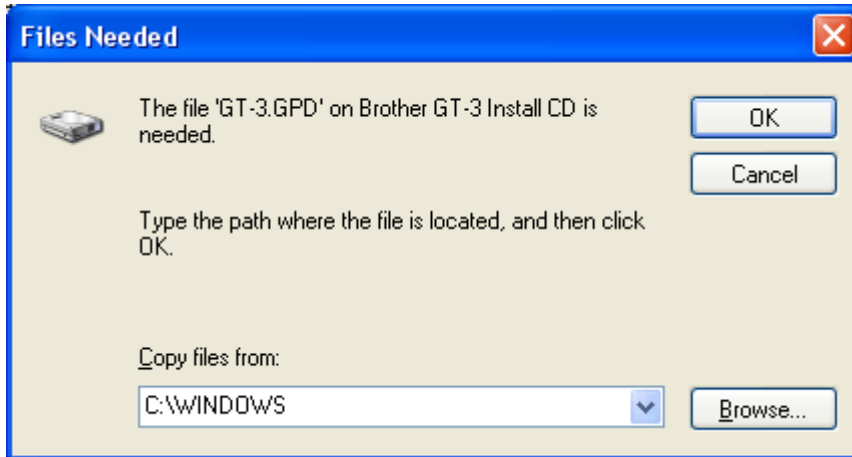


3. Getting Started

- (5) Select "Install the software automatically (Recommended)", and then click "Next". The installation starts. When "Hardware installation" dialog (not passed Windows Logo testing, see 3-3-2. (5)) appears during installation, Click "Continue Anyway". The installation continues.

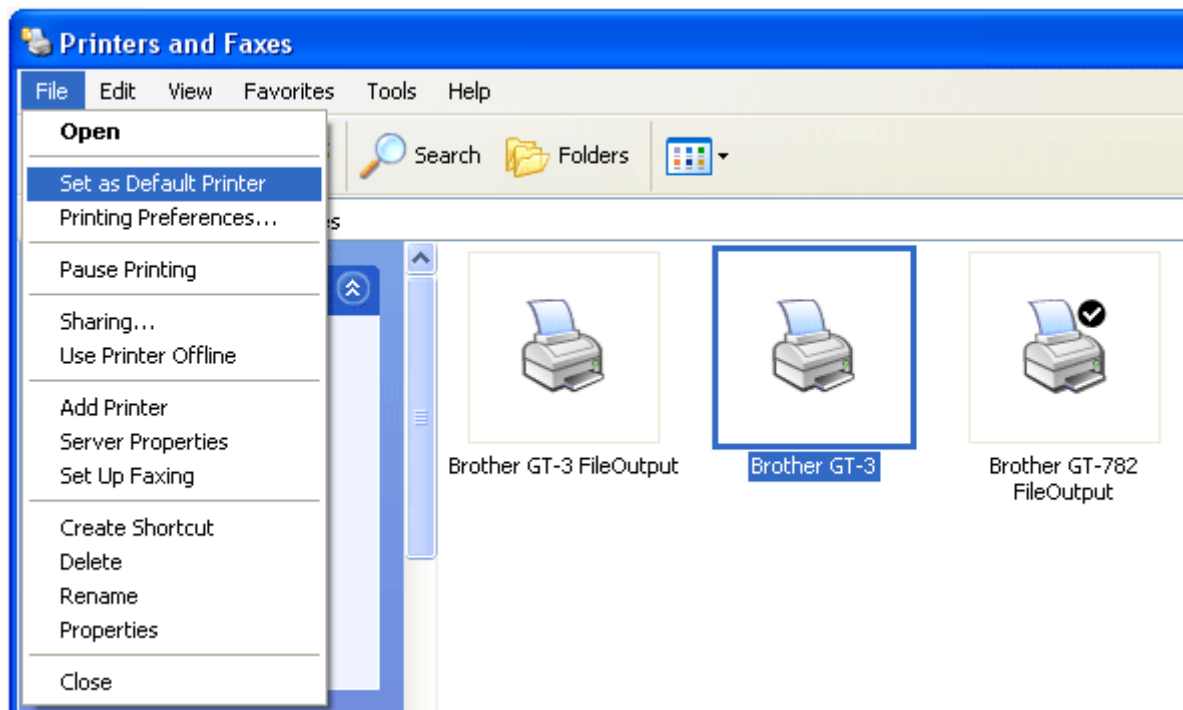
<Note>

- If you connect the USB 2.0 cable anyway, the dialog to insert the install CD appears. Confirm that the Install CD is inserted properly, and then click "OK".
- If install CD is not in drive [D:], the following window appears. Click "Browse..." to select the CD drive, select GT-3.gpd in [32bit_OS] the folder and then click "OK". The installation continues.



- (6) Click "Finish" when "Completing the Found New Hardware Wizard" dialog.
- (7) Open "Printers and Faxes" in "Control Panel".
- (8) Click either "Brother GT-3" "Brother GT-3 FileOutput" icon and select "Set as Default Printer" on "File" menu. "Brother GT-782" icon is checked and Brother GT-782 is set as the default printer. This will help to do the layout with your application software.

The PC setup is now completed.



<Note> for installations of more than one GT-3 printer.

To connect another GT-3 to the PC, repeat the steps of 3-3-3. Connection with USB 2.0 Cable: for Windows XP. From the second GT-541, the printer names automatically become "GT-3 (copy X)". You can change the names as "GT-3 xxx" (e.g. "GT-3 #2") in the "Printer and Faxes" in the "Control Panel" for your workability.

3-3-4. Installation of PC for Windows Vista / Windows 7 (32 bit / 64 bit)

Refer first to "3-3-2. PC preparation: For Windows XP (32 bit)" and confirm the process. Install the file Output Printer Driver "Brother GT-3 FileOutput" first to your PC. Tools and manuals are installed together from Install CD, and PC must be restarted. Then PC is connected to USB 2.0 cable, the printer turned ON, and USB 2.0 cable connected to the printer.

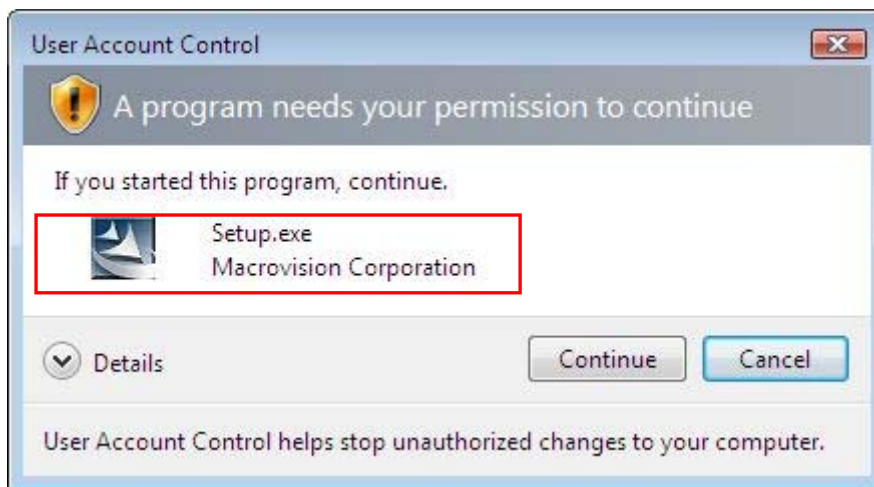
Install File Output Printer Driver "Brother GT-3 FileOutput" first to your PC

Do not connect the printer to the PC at this stage.

<Note>

You must be logged on with Administrator rights on the PC.

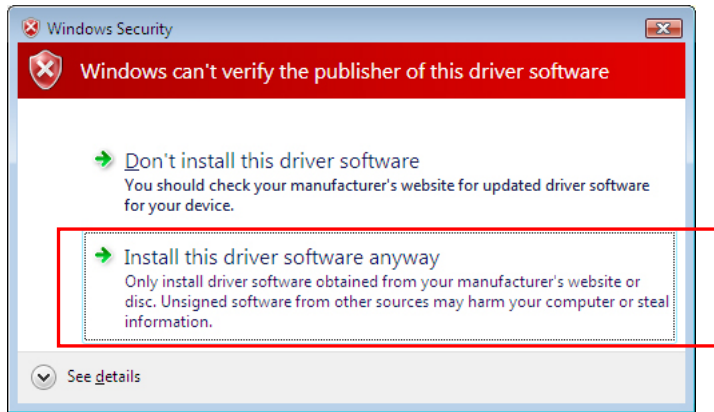
- (1) Turn on your PC.
- (2) Close all open applications
- (3) Insert the Install CD (included) to your PC.
Open the CD-ROM drive and double-click "Setup.exe".
- (4) The monitor turns dark and the following dialog appears when User Account Control is ON. Select "Continue".



- (5) The Installer starts installation. Follow the indications of the dialogs.

3. Getting Started

- (6) During the installation, the following warning appears. Click "Install this driver software anyway" and continue.



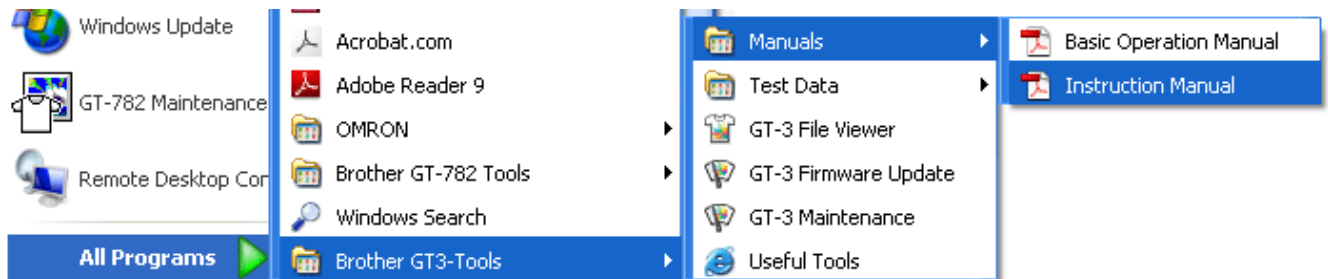
- (7) After installation, your PC will need to restart. Remove your Install CD and restart your PC. If you are going to use your printer without connecting it to your PC, this will be the end of PC preparation.

3-3-5. Connection with USB 2.0 Cable: for Windows Vista / Windows 7

- (1) Connect the USB 2.0 cable to your printer (power OFF).
- (2) Connect the other end of the USB 2.0 Cable to your PC.
- (3) Turn ON your GT-3 printer. Installation starts automatically. The information appears at the right bottom of the PC monitor.
- (4) After installation, open "Printers" in "Control Panel" of PC.
- (5) Click either "Brother GT-3" or Brother GT-3 FileOutput icon and select "Set as Default Printer" on "File" menu. "Brother GT-782" icon is checked and Brother GT-782 is set as the default printer. This will help to do the layout with your application software. The PC setup is now completed.

3-3-6. Opening the installed manuals

- (1) Click "All Programs" on "Start" menu.
- (2) Select "Manuals" in "Brother GT-3 Tools".



- (3) Click the manual you want to open. The language is the same that is selected in installation.

<Note>

Only manuals with selected language are installed to your PC. Others PDF files are in the folder "Manual" on Install CD..

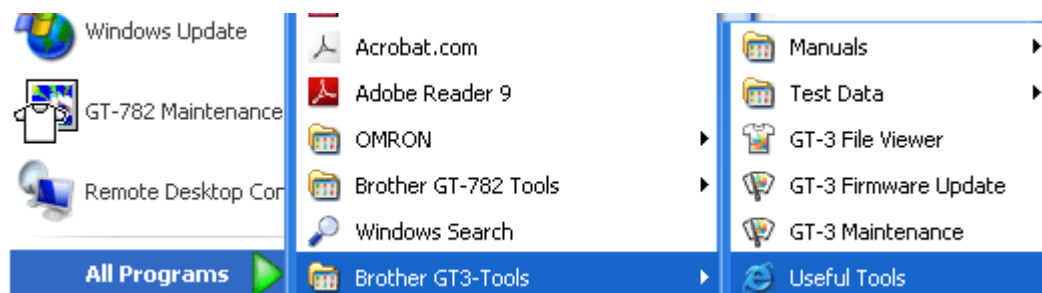
3-3-7. Opening the Useful Tools

Useful Tools are installed in "Useful Tools" in "Brother GT-3 Tools".

Color Palettes for Adobe Photoshop, Illustrator and CorelDRAW

Color Palettes "GT_Colors_T.aco" for Adobe Photoshop, "GT_Colors_T.ai" for Illustrator, "GT_Colors.cpl" and "GT_Tshirts.cpl" for CorelDRAW are available. The colors are the same in GT Color Chart "ColorChart_1200.ar3" and "ColorChart_600.ar3" in "Test Data" in "Brother GT-3 Tools". Print Color Chart to check the colors that your Printer actually provides as color formula guide. (CorelDRAW does not allow to put the same colors in one color palette so we provide two different color palettes.)

- (1) Select [All Programs] on [Start] menu of your PC..
- (2) Select "Useful Tools" in "Brother GT-3 Tools".



- (3) Click the files you want to download as indicated.
- (4) To use Color Palettes in the applications, see "4-2. Setting the Applications' Print Condition" in the Instruction Manual or refer to the Help of the applications.

Printing Grid data on the Platen Sheet

- (1) Select "Useful Tools" in "Brother GT-3 Tools".
- (2) Double-click the Grid print data that fits the Platen size (e.g. Grid14x16.ar3) and send it to the printer.
- (3) Print the data on the Platen directly, with no T-shirt on. Touch the surface with paper or cloth to dry the ink after printing.

<Note>

Print on a new Platen Sheet when you exchange to a new one.

Photoshop Action Files

There are two Action Files available: "SolidWhite.atn" (see "4-2-3. Settings for Adobe Photoshop" in the Instruction Manual.) to change RGB=255 white to RGB=254 white, and "TransLayer.atn" (see "4-3-13. Printing the image file on Transparent Layer" in the Instruction Manual.) to get the Transparent Info from the image. These action files will save your time. See the Photoshop Help for further information.

Color Lists (PDF)

Color Lists are available as the image data (PDF) along with the print data "ColorChart_1200.ar3" and "ColorChart_600.ar3". Blues, Greens, Oranges, Reds and Color Chart image data are in Useful Tools. You can change the printer driver menus to see how the colors change with the settings. Use PLTN 14x16.

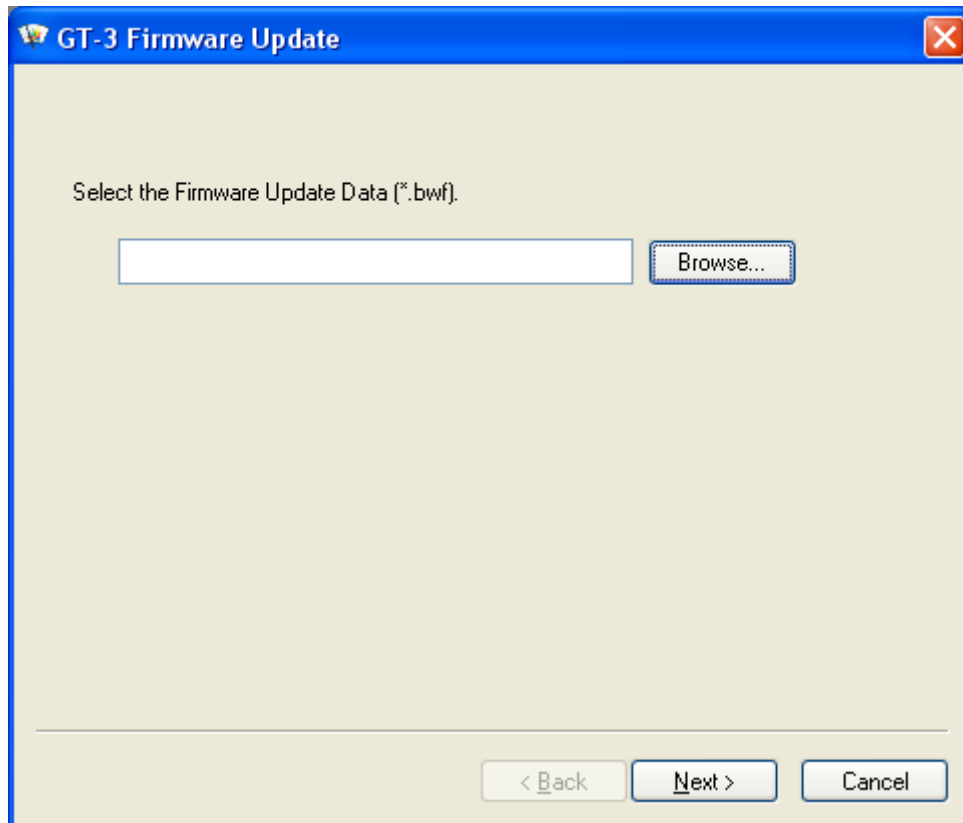
- (1) Select "Useful Tools" in "Brother GT-3 Tools".
- (2) Open or save the files "GT_Blues.pdf"(blue-violet), "GT_Greens.pdf"(green-yellow), "GT_Oranges.pdf"(orange), "GT_Reds.pdf"(red-purple) or "GT_ColorChart.pdf".

3. Getting Started

3-3-8. How to use Firmware Update Tools

Download the new Firmware program from the Web site when informed. Read the Firmware program with GT-3 Firmware Update Tool in "Brother GT-3 Tools" and update the Firmware program inside the printer.

- (1) Select "All Programs" on "Start" menu of your PC.
- (2) Select "GT-3 Firmware Update" in "Brother GT-3 Tools".
- (3) Read the update program (*.bwf).



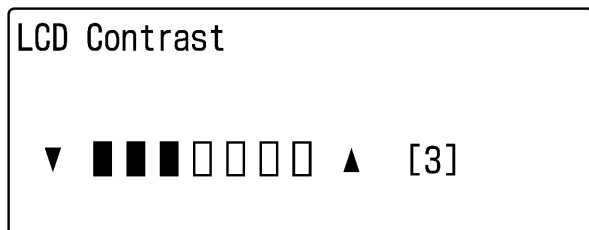
- (4) Update the Firmware program by following the wizard dialog, connecting PC to the printer with USB 2.0 cable.

3-4. Setting Up Your Printer

Adjust the display contrast and the speaker volume as required.

3-4-1. Adjusting the Display Contrast

- (1) Press the OK Button on your printer's Control Panel and go to the Menu.
- (2) Use the Up/Down Button to select [Printer Setting] > [LCD Contrast] and then press the OK Button.
The following display appears.

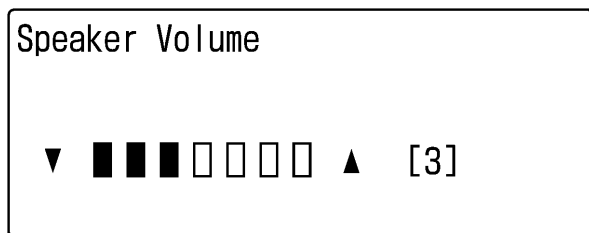


02e0027Y

- (3) Use the Up/Down Button to select your desired contrast from 0 to 7, and then press the OK Button.

3-4-2. Adjusting the Speaker Volume

- (1) Press the OK Button on your printer's Control Panel and go to the Menu.
- (2) Use the Up/Down Button to select [Printer Setting] > [Speaker Volume] and then press the OK Button.
The following display appears.



03e0028Y

- (3) Use the Up/Down Button to select your desired volume from 0 (silent) to 7, and then press the OK Button.

3-4-3. Temperature

- (1) Press the OK Button on your printer's Control Panel and go to the Menu.
- (2) Use the Up/Down Button to select [Printer Setting] > [Temperature] and then press the OK Button.
- (3) Use the Up/Down Button to select from Fahrenheit / Centigrade and then press the OK button.

3-4-4. Language

- (1) Press the OK Button on your printer's Control Panel and go to the Menu.
- (2) Use the Up/Down Button to select "Language", and then press the OK Button.
- (3) Use the Up/Down Button to select your desired language from English / Español / Français / Deutsch / Italiano / Japanese and then press the OK button.

4. Printing Directly from Applications

WARNING



If a foreign object gets inside the printer, immediately turn off the power switch and disconnect the power cord, and arrange for a service call to resolve.



If you continue to use the printer while there is a foreign object inside, it may result in fire or electric shocks or problems with correct operation.



Do not allow the printer to come into contact with liquids, otherwise it may cause fire or electric shocks or problems with correct operation.



If any liquid gets inside the printer, immediately turn off the power switch and disconnect the power cord. Contact Brother to arrange a service call to resolve.



Do not use the printer when smoke or a bad odor coming from the printer, otherwise it may cause fire or electric shocks or problems with correct operation. Immediately turn off the power switch and disconnect the power cord, and arrange for a service call to resolve.



CAUTION



This printer should only be used by operators who are appropriately trained in its operation.



Do not move the Platen by hand.
The Printer may be seriously damaged by this.



When a problem occurs with the operation of the printer, contact the place of purchase or a qualified technician.

4-1. Basic Printing Procedure

- (1) Set the proper color settings and print conditions of the application. For precise editing and output, applications such as Adobe Photoshop, Illustrator, CorelDRAW, Paint Shop Photo Pro are recommended, e.g. to deal with higher resolution images (200 dpi or higher).
See "4-2. Setting the Applications' Print Condition" in the Instruction Manual for further details.
- (2) Create the artwork using a suitable graphic application. Use RGB=254 (=254, 254, 254) white for white color. RGB=255 (=255, 255, 255) white (paper color) is transparent color with no ink printed.
- (3) Select [File] > [Print] menu of your application and set Printer Driver conditions.
See "4-3. Setting the Printer Driver Condition" in the Instruction Manual.
- (4) Turn on your printer.
See "3-2-1. Turning On Your Printer".
- (5) Execute [Daily Cleaning White] to keep the whiteness of White Ink. See "5-2-1. Daily Cleaning White for replacing dull White Ink". Test print for both CMYK and White and check the print quality. See "7-2-3. Checking Print Quality with Nozzle Check Pattern" in the Instruction Manual.
- (6) Send data to your Printer. Select Printer Driver: either GT-3 Printer Driver (USB 2.0 Cable) for direct print or GT-3 FileOutput Printer Driver to make print data file (.ar3).
As for sending .ar3 file to your Printer, see "5. Printing AR3 Files" in the Instruction Manual.
- (7) Install the Platen of the size you have selected in step (3) "4-3. Setting the Printer Driver Condition" in the Instruction Manual.
See "4-4. Uninstalling / Installing the Platen" in the Instruction Manual.
- (8) Set the T-shirt (as for dark garments, pretreated. See "4-6-1. Applying the Pretreatment" in the Instruction Manual.) on the Platen and adjust the Platen height. The operation on the both platens (Left/Right) is the same. See "4-5. Placing the T-shirt on the Platen" in the Instruction Manual.
- (9) Press the Print Button on the Control Panel to start printing. See "4-6-2. Making One Print." in the Instruction Manual.
- (10) Remove the "printed" T-shirt from the Platen.
See "4-7. Removing the T-shirt from the Platen" in the Instruction Manual.
- (11) Fix the ink with heat onto the T-shirt.
Use a conveyer oven or a heat press to fix the ink onto the T-shirt. See "4-8. Curing the Ink onto the T-shirt" in the Instruction Manual.
- (12) Repeat (8) to (11) until all the prints are finished.
- (13) See the Chapter 5 for necessary maintenance and for regularly and more-than-2-week storage.
- (14) Turn off your printer. See "3-2-2. Turning Off Your Printer".

5. Maintenance

For optimum product performance regular maintenance is required.

DANGER



Wait at least 5 minutes after turning off the power switch and disconnecting the power cord from the wall outlet before opening the right-side cover of the control unit. Do not touch as high voltage can result in severe injury.

CAUTION



Wait at least 1 minute after turning off the power switch before opening the front cover. Do not touch the head heat sink as it may be HOT and may cause a burn.



Be careful not to get your fingers caught when closing the front cover, otherwise it may result in injury to your fingers.



Do not move the Platen by hand.
The Printer may be seriously damaged by this.



Do not disassemble the ink cartridge.
Take care not to let the liquids: Ink, Wash Liquid, Maintenance Solution, Pretreatment or waste liquid come into contact with your eyes or onto your skin, otherwise inflammation can result. In case of contact with eyes, do not rub but immediately rinse the eyes with water.



Furthermore, do not drink the liquids: Ink, Wash Liquid, Maintenance Solution, Pretreatment or waste liquid under any circumstances, as they can cause vomiting and diarrhea.
Keep the liquids out of the reach of children.



Be sure to wear protective goggles and gloves when handling the grease, so that they do not get into your eyes or onto your skin. If the grease get into your eyes or onto your skin, inflammation can result. Furthermore, do not drink or eat the grease. They may cause diarrhea or vomiting.
Keep the grease out of the reach of children.



When replacing parts and installing optional accessories, be sure to use only genuine Brother parts. Brother will not be held responsible for any accidents or problems resulting from the use of non-genuine parts.

5-1. Replacing Consumables

This section describes how to replace the consumables and the maintenance of the printer.

5-1-1. Replacing the Ink Cartridge

The ink indicator on the Display flashes when the Ink Cartridge is getting low. Prepare the new Ink Cartridge (option*), and replace it when "Empty XXXX (color)" is displayed. (* See "1-3-5. Consumable Requirements and Options" for part code.)

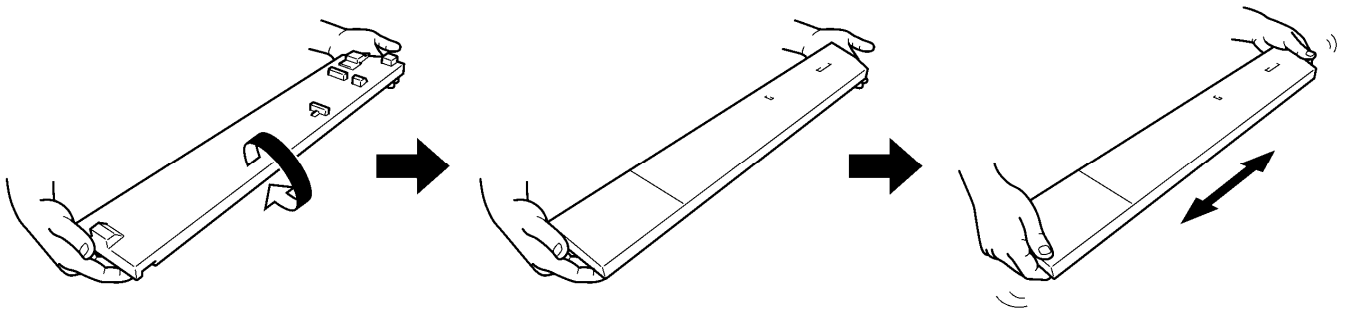
<Note>

- Use the Ink Cartridges described in "1-3-5. Consumable Requirements and Options".
- Be careful not to get ink on your hands or clothing. Wash with soap if stained with ink. You cannot wash away the stained ink on the material because the ink may be absorbed into the fiber.
- Do not replace cartridges while printing or head cleaning; is in operation it may cause damage to your printer.
- Do not disassemble the Ink Cartridge.
- Replace the Maintenance Parts packed together with Cyan Ink Cartridge (380 cc /180 cc), Magenta Ink Cartridge (380 cc) and White Ink Cartridge (380 cc) when you open the new one. Clean the Caps and Wipers, replace the Wiper Cleaners, Fan Filter, Roller Felts (4), Flushing Plate Sponge (top) and Flushing Plate Felt (bottom) according to our maintenance schedule to maintain good print quality. Replace them when you see the warning indicated on the display too. Print quality may be reduced by insufficient cleaning, e.g. dirty printed materials, mis-firing. See "5-1-2. Replacing the Wiper Cleaner and Cleaning the Caps / Wipers", "5-1-3. Replacing Flushing Plate Sponge and Flushing Plate Felt", "5-1-4. Replacing the Fan Filter", "5-1-5. Replacing the Roller Felts" and "5-1-7. Cleaning the Encoder Strip".
- To keep the best print result, your printer will show empty status for the color cartridge that is empty. To keep print quality, a small amount of ink remains to avoid damage to your printer.

- (1) Open the new Ink Cartridge.

<Note>

Pigments in the White Ink are sinking little by little all the time. Hold the cartridge with both hands, upside down from the mounted position, and shake it in 1-2 minutes so that the pigments inside can be mixed enough. Do it one by one.



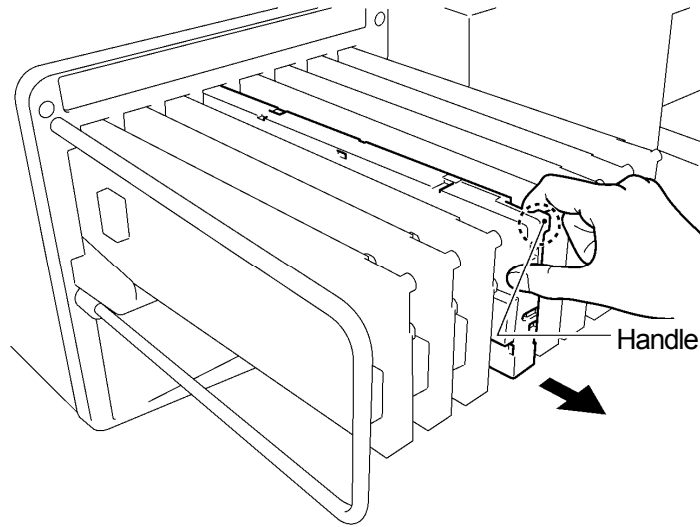
0054Y

5. Maintenance

- (2) Remove the used Ink Cartridge from the slot of the printer. Put your finger to the handle and pull out the Ink Cartridge.

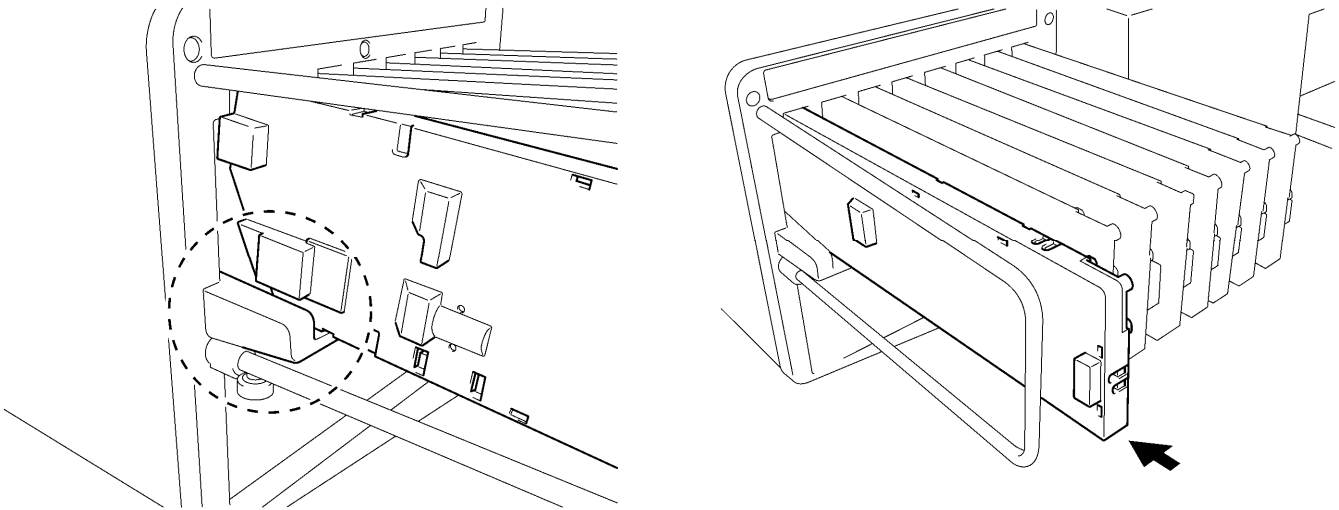
<Note>

Leave the used Ink Cartridge installed until just before the replacement. Leaving your printer with no Ink Cartridge installed may cause ink leakage or other serious damages.



0055Y

- (3) Confirm the direction and the color of the new Ink Cartridge and put the bottom edge on the base and slide it to the back of the slot.



0056Y.0057Y

<Note>

Confirm the color of the ink cartridge. Loading a wrong color causes serious damage to print quality, and could damage the Print Heads. If you have installed a wrong color, immediately contact Brother or your dealer for a service call.

- (4) When you have replaced either one of the White, Cyan or Magenta Ink Cartridge, replace the Maintenance Parts packed together in the Carton. Clean the Caps and Wipers, replace the Wiper Cleaners, Fan Filter, Roller Felts (4), Flushing Plate Sponge (top) and Flushing Plate Felt (bottom) according to our maintenance schedule to maintain good print quality. See "5-1-2." and the following pages. This is really important to keep your printer in good condition.

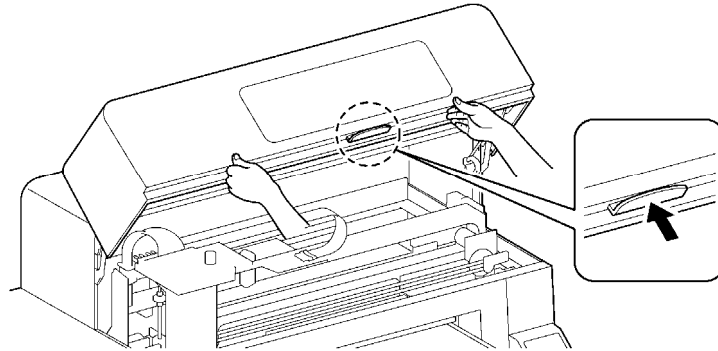
<Note>

- Do not repeat unnecessary uninstalling / installing the Ink Cartridge.
- Dispose the used Ink Cartridge in compliance with your local regulations.

5-1-2. Replacing the Wiper Cleaner and Cleaning the Caps / Wipers

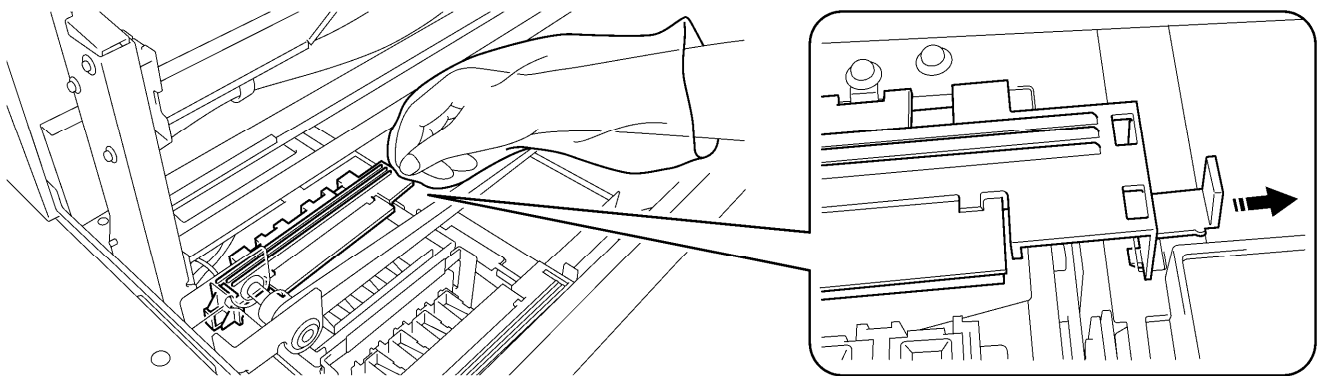
The Wiper Cleaner needs to be replaced regularly. Keep the Print Head Cap and Wiper Blade clean when replacing the Wiper Cleaner. If not, the waste ink may drop on a T-shirt in printing or mis-firing may not be easily improved.

- (1) Select [Maintenance] from the menu by pressing Up/Down Buttons and press OK Button.
- (2) Select [Maintenance Parts Exchange] and press OK Button. The Platen will be loaded and the Wipers will be moved to the cleaning position. Follow the message and turn off the printer.
- (3) Open the Front Cover with both hands until it is locked with the stopper.



0046Y

- (4) Cover your right hand with a plastic bag so that you can hold the used Wiper Cleaner safe and clean. Pick the right edge of the Wiper Cleaner and move slightly to the right (1-2 mm) by your right hand, the claw in the right will be released.

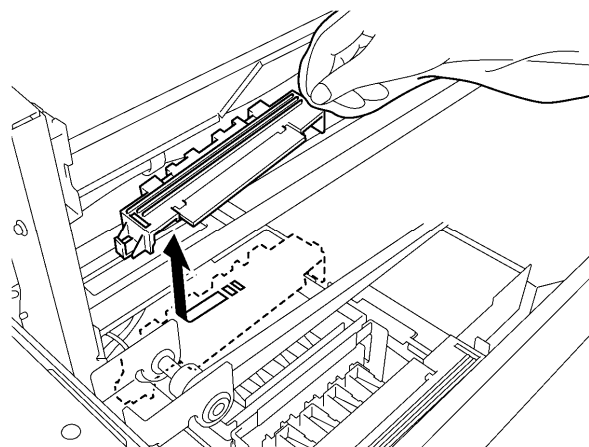


0058Y

- (5) Move the Wiper Cleaner slightly to the left (1-2 mm) to release the claw in the left. Pay attention not to tilt the Wiper Cleaner or the waste ink may drop. Keep flat and move slowly.

<Note>

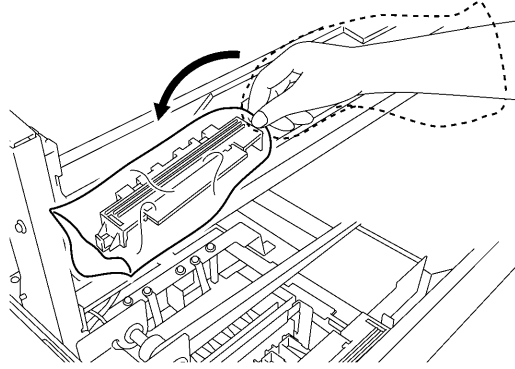
Do not tilt the Wiper Cleaner, ink may get on your hands or clothing.



0059Y

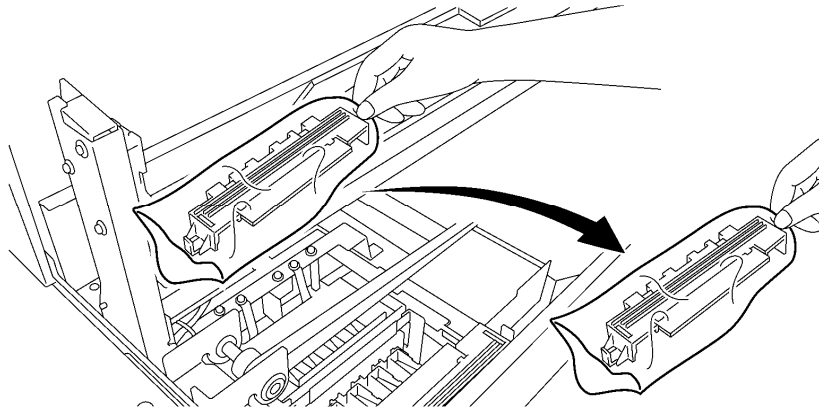
5. Maintenance

- (6) Pick the plastic bag on your right hand with your left hand, and wrap the Wiper Cleaner with the plastic bag.



0060Y

- (7) Remove the wrapped Wiper Cleaner carefully, not to drop waste ink and dispose of in accordance with local regulations.

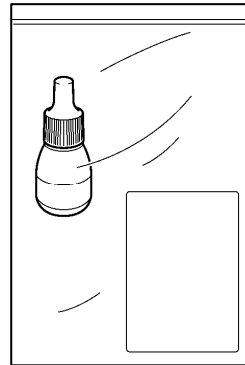
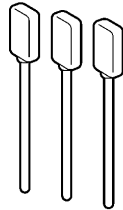
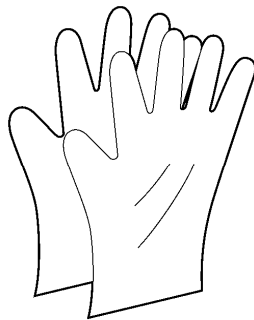


0061Y

<Note>

Pay attention not to soil the Timing Belt and the other parts with waste ink.

- (8) Prepare the Wiper Cleaner, which is in the carton of White, Cyan and Magenta (380 cc only) Ink Cartridge or in the Maintenance Cleaning Kit (option*). (* See "1-3-5. Consumable Requirements and Options" to get the Code Number.)

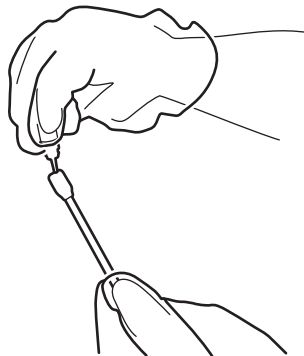


0062Y

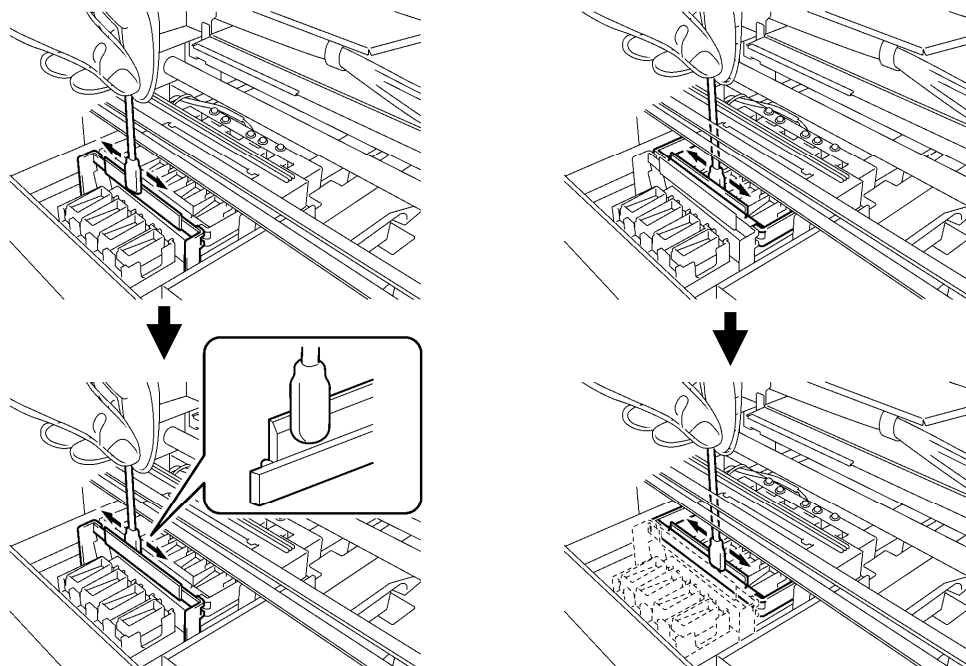
- (9) Wear the gloves, and wet both sides of a Clean Stick (green grip) with the Wash Liquid.

<Note>

Use only the Wash Liquid included to wet the Clean Stick; using other liquid will cause damage to the Print Heads.



- (10) Use the one side of wet Clean Stick to clean the front side of the Wiper Blade.
- (11) Use the other side of the wet Clean Stick to clean the rear of the Wiper Blade. Do not wipe the White / Color with the same Clean Stick.



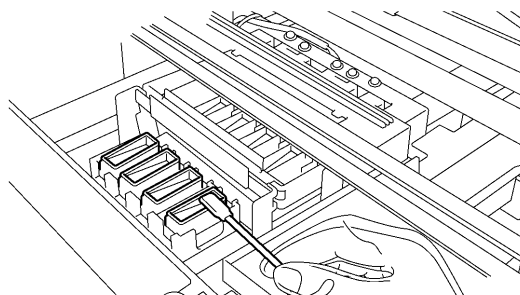
0063Y

0064Y

- (12) Wet other two Clean Sticks and use them to remove ink or dust from the Print Head Caps. Use one side of the Clean Stick to clean one Print Head Cap.

<Note>

Do not use dry Clean Stick; it cannot clean ink or dust. It may damage the Print Head Caps. Wipe off the dirty ink of Clean Sticks with soft cloth if it is too dirty and wet with Wash Liquid.



0065Y

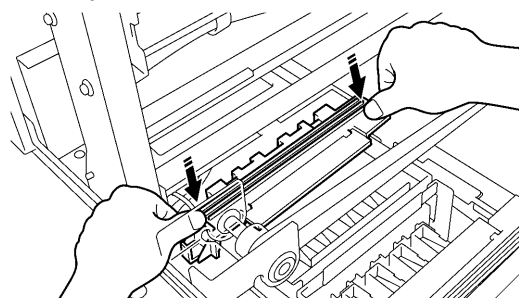
- (13) Mount the new Wiper Cleaner by following (6) to (4) in the previous pages.

<Note>

Do not give stress to the Timing Belt in mounting the Wiper Cleaner.

If your printer turns on with no errors, replacement of the Wiper Cleaner has been completed successfully.

If something irregular occurs, e.g. abnormal noise or error "No Wiper Cleaner (CMYK/White)", turn off your printer, and check if the Wiper Cleaner is correctly mounted.



0066Y

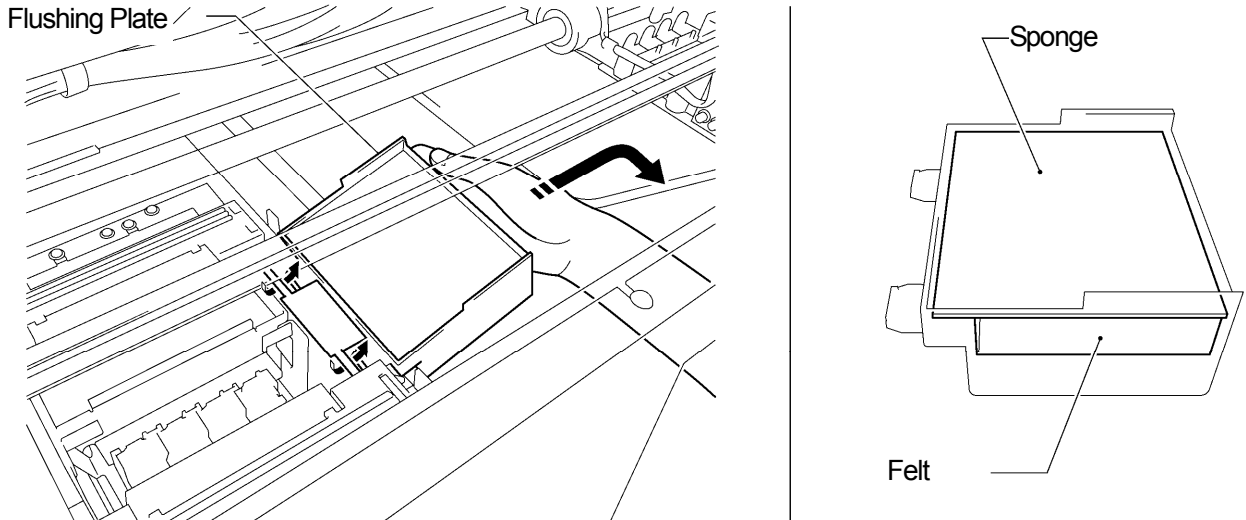
5. Maintenance

5-1-3. Replacing Flushing Plate Sponge and Flushing Plate Felt

- (1) After replacing the Wiper Cleaner, replace the Flushing Plate Sponge and Flushing Plate Felt. Remove the Flushing Plate from the printer by lifting up the right side slightly and pull up to the right direction.
- (2) Remove the used Flushing Plate Sponge and Flushing Plate Felt from the Flushing Plate and remove the waste ink inside. Put the new Flushing Plate Sponge (bottom) and Flushing Plate Felt (top) into the Flushing Plate and mount the Flushing Plate as it is to the printer.

<Note>

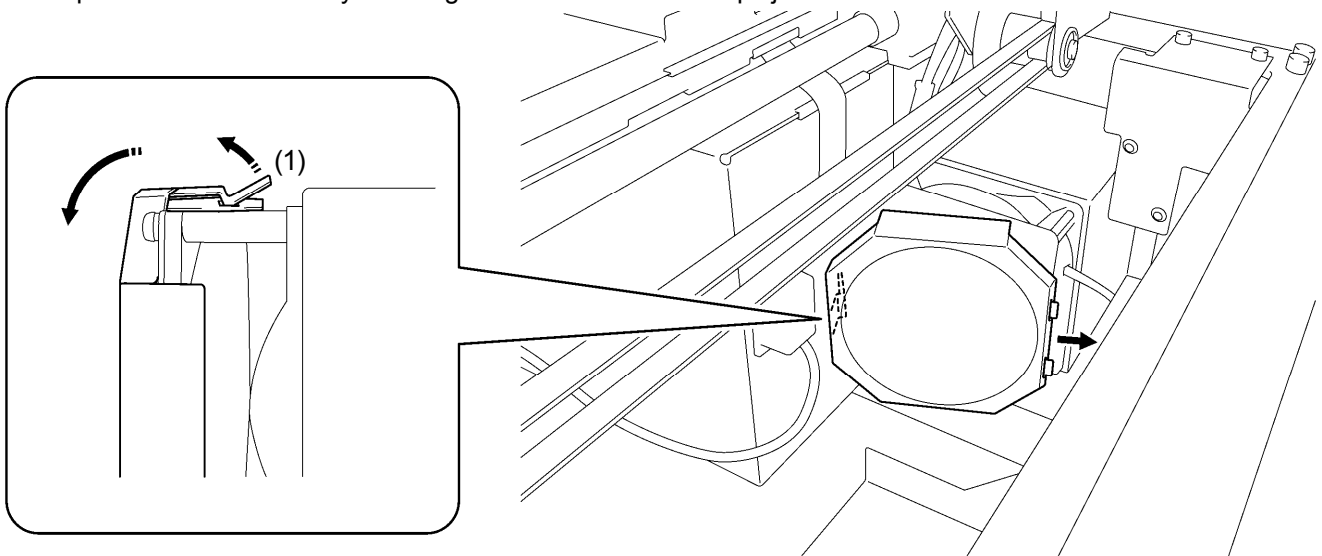
- Keep clean the top edge of the Flushing Plate; if it is covered with dust and clogged ink, the Print Heads may touch the surface and mis-firing may occur.
- Dispose the used Waste Ink in accordance with your local regulations. Or make contact to your dealer.



0067Y

5-1-4. Replacing the Fan Filter

- (1) Put the gloves on your both hands, and put your left hand from the space before the Timing Belt to reach the Filter Cover.
- (2) Lift up the Lock (1) of the Filter Cover with your left hand and move the Filter Cover to the opposite direction of the Fan and pull out the Filter Cover by removing the Guide Holes from the projections.

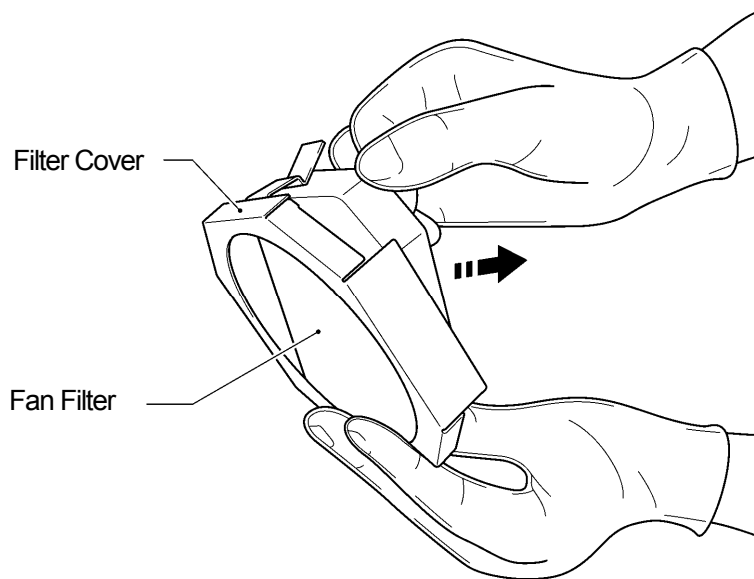


0068Y

<Note>

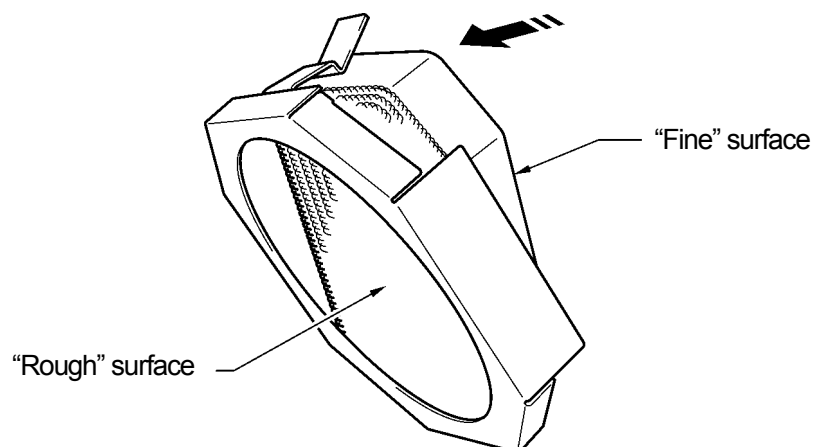
Pay attention not to hit the Filter Cover to the Timing Belt.

- (3) Pick up the edge of the used Fan Filter mounted in the Filter Cover, and remove the Fan Filter from the Filter Cover. Put it in the plastic bag and dispose of it in accordance with local regulations.



0069Y

- (4) Align the new Fan Filter to the shape of Filter Cover and mount it in by pushing by hand, with the "rough" surface to the outside and the "fine" surface to the Exhaust Fan.



0070Y

<Note>

Check the surface of the Fan Filter, the rough side faces to the Platen to catch mist, and the fine side faces to the Fan side.

- (5) Move the Filter Cover from the front side of the Timing Belt, insert the Guide Holes to the projections and cover the Fan with the Filter Cover by pushing until the Lock hold the Fan.

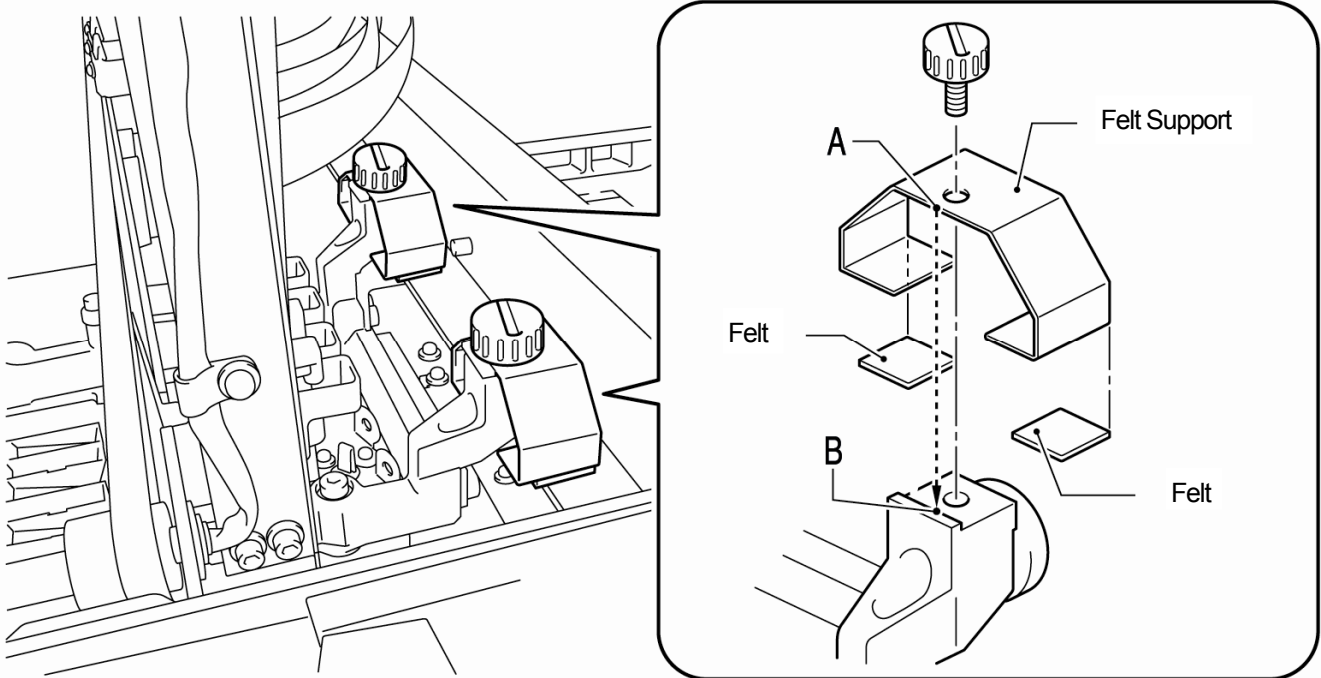
<Note>

Check if the Fan Filter can fix properly by pulling out to the Platen side.

5. Maintenance

5-1-5. Replacing the Roller Felts

- (1) Unscrew two screws and remove the Felt Support.



0071Y

- (2) Remove the used Felt.
- (3) Apply the new Felt to the Felt Support. Pay attention not to give damage to the Felt Support.
- (4) Position the edge of the Felt Support "A" by putting the edge to the Carriage "B" and tighten the screw with a coin. After fixing, check if the Felt Support is aligned straight.

<Note>

Wipe off the ink mist on the surface where the Carriage Rollers move on, with a clean and soft cloth soaked with alcohol.

- (5) After all the Maintenance Parts are replaced, See "5-1-6. Cleaning the inside of the printer and restart" and then clean and confirm the inside of the printer. Push the Stop Lever to release the lock when you close the Front Cover with both hands and then turn ON the printer.

5-1-6. Cleaning the inside of the printer and restart

- (1) Wipe off the front/back of the Clearance Sensor and around the Platen with a soft wet cloth with water. Use Wash Liquid to remove the clogged ink.

<Note>

The dirt of the Clearance Sensor may stain the T-shirt in loading.

- (2) Wipe off the dust on the T-shirt Tray with wet cloth.
- (3) Wipe off the ink mist on the surface e.g. where the Carriage Rollers move on, with a clean and soft cloth soaked with alcohol.
- (4) Wipe off the ink mist on the Carriage Guide Shaft with a clean and soft cloth soaked with alcohol. Put some specified grease (option) on a soft cloth and apply the Carriage Guide Shaft. After cleaning, adjust the Carriage Speed from the menu. See "7-2-9. Adjusting the CR Speed" in the Instruction Manual.
- (5) Push the Stop Lever to release the lock when you close the Front Cover with both hands and then turn ON the printer. If something irregular occurs, e.g. abnormal noise or error "No Wiper Cleaner (CMYK/White)", turn off your printer, and check if the Wiper Cleaner is correctly mounted, etc.

5-1-7. Cleaning the Encoder Strip

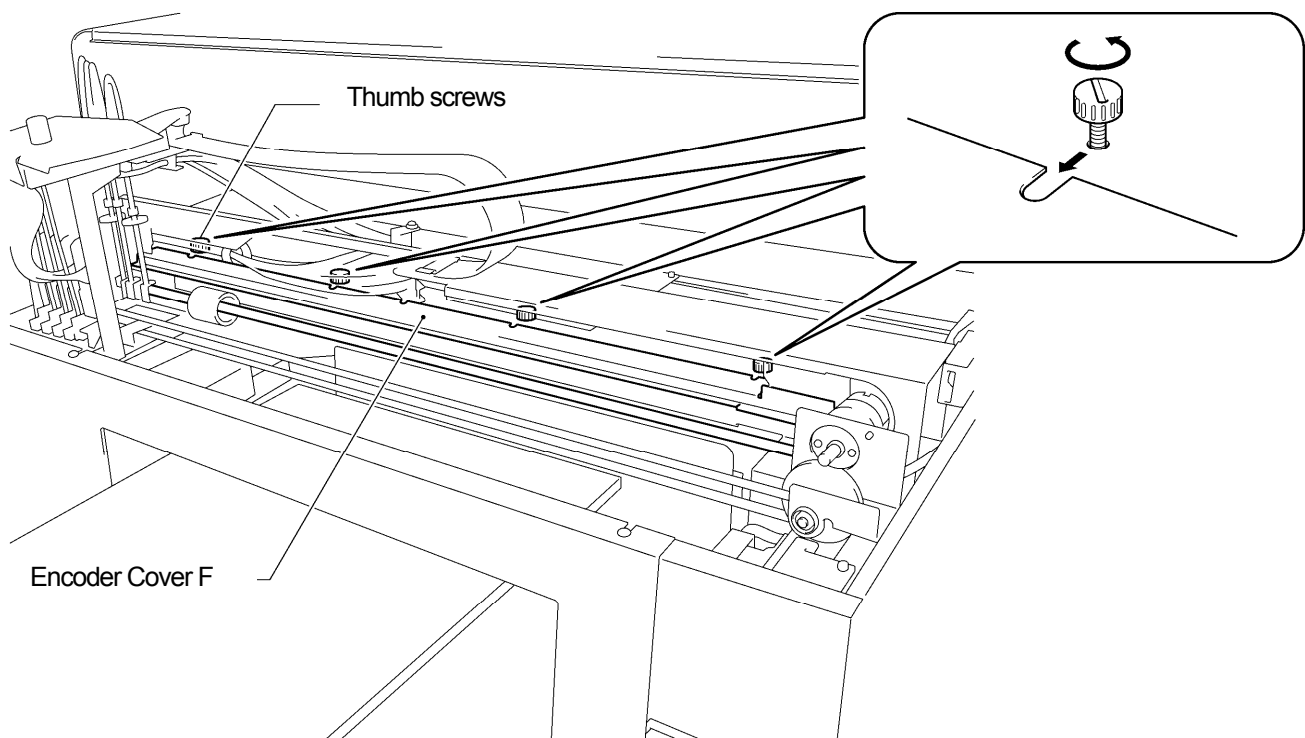
There must be some dust and mist covering the Encoder Strip to cause reading error when some error occurs during the printing operation. Clean the Encoder Strip with the attached tool.

- (1) Prepare the Encoder Cleaner and ethanol of 95% or higher purity.
- (2) Select [Maintenance] of the menu and press OK Button.
- (3) Select [CR Encoder Strip Cleaning] of the menu and press OK Button. The Platen will be loaded and the Caps move down. Follow the message and turn off the printer.
- (4) Open the Front Cover with both hands until it is locked with the stopper.
- (5) Move the Carriage slowly to the rightmost position by hand.

<Note>

Ink may stain the Platen and other places while moving the Carriage, the bottom surface may be wet and dirty with ink.

- (6) Loosen the four thumbscrews with a coin as shown below.



0072Y

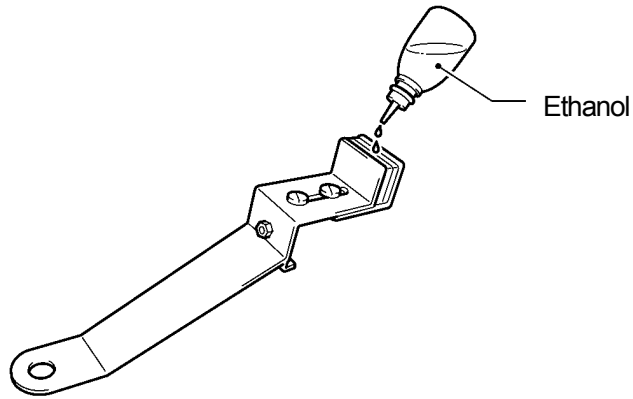
- (7) Hold the Encoder Cover F with both hands and lift it up by pulling out to your side. Remove the Encoder Cover F from the printer.

<Note>

Pay attention not to give damage to the Carriage Guide Shaft. Tubes, Harnesses of solenoids and Carriage Motor. Keep the Encoder Cover F in a flat position.

5. Maintenance

- (8) Apply ethanol to the Felt fully, app. 2 ml, of the Encoder Cleaner.

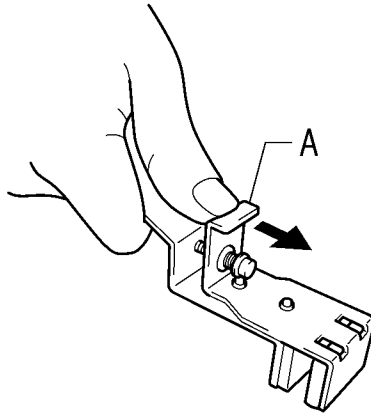


0073Y

<Note>

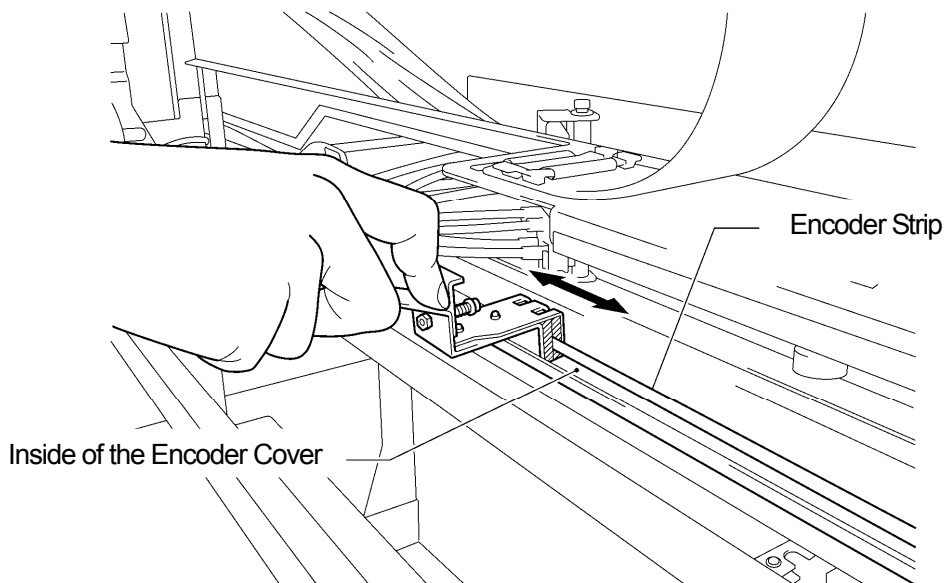
Use ethanol of 95% or higher purity.

- (9) Push the position [A] shown below with your finger to give space between the felts.



0074Y

- (10) Put the Encoder to the Encoder Strip so that the Encoder Strip should run between the felts straightly, and the bottom part of the felt should touch the inside of the Encoder Cover. The felts catch the Encoder Strip when you release your finger.



0075Y

- (11) Wipe the Encoder Cleaner two or three times from the leftmost position to the right. After wiping, push the position [A] of the Encoder Cleaner to release it from the Encoder Strip.

<Note>

Keep the level of the Encoder Cleaner in wiping.

(12) Move the Carriage slowly to the leftmost position by hand

<Note>

Ink may stain the Platen and other places while moving the Carriage, the bottom surface may be wet and dirty with ink.

(13) Wipe the Encoder Cleaner two or three times from the rightmost position to the left, by following the former steps (10) and (11), where the Encoder Cleaner did not reach.

(14) After wiping, push the position (1) of the Encoder Cleaner to release it from the Encoder Strip.

(15) Again, move the Carriage to the rightmost position by hand.

<Note>

Ink may stain the Platen and other places while moving the Carriage, the bottom surface may be wet and dirty with ink.

(16) Hold the Encoder Cover F with both hands, avoid the Tubes and insert it to the notch holes on the printer, align the screw positions to the U flutes on the Encoder Cover F and slide it to the back end horizontally. make sure that the projection on the printer should fit the holes on the Encoder Cover F.

(17) Tighten the four thumbscrews.

<Note>

Confirm the Encoder Cover F should lock properly by pulling slightly to your side.

(18) Push the Stop Lever to release the lock when you close the Front Cover with both hands. Watch your fingers not caught in the Front Cover. Turn ON the printer. The cleaning is success when the initialization of the printer is done with no errors indicated.

5. Maintenance

5-2. Regular Maintenance

Do not leave the White ink inside the printer. White pigment precipitates and may cause serious damage to your printer. This section describes how to maintain the White Ink. Execute the following menu to keep your printer and print result in good conditions.

| Menu | Timing | Details |
|----------------------|---------------------------------|---|
| Daily Cleaning White | Before printing (once a day) | Replaces the white-less White Ink caused by settled pigments. |
| White Tube Cleaning | Once a week | Prevents the Tubes from choking with pigments. |

<Note>

Confirm if there is enough room in Waste Ink Tank before executing the maintenance.

5-2-1. Daily Cleaning White for replacing dull White Ink (Once a day, before printing)

- (1) Shake the White Ink Cartridge one by one to keep the whiteness of the White Ink. Pull out one of the White Ink Cartridge, hold the cartridge with both hands, upside down from the mounted position, and shake by moving back and forth to mix up the pigment in the bottom and shake it horizontally, in 30 seconds to 1 minute. (See "5-1-1. Replacing the Ink Cartridge".)
- (2) Select [Daily Cleaning White] from the menu and press the OK Button. Select "All White" to do in one time or select the each Print Head to do one by one. Press OK button to continue.
- (3) After replacing the White Ink, print Nozzle Check Pattern from [Test Print] menu to check the print quality. Also print Whiteness pattern on the pretreated material so that you can see the whiteness.

5-2-2. White Tube Cleaning (once a week)

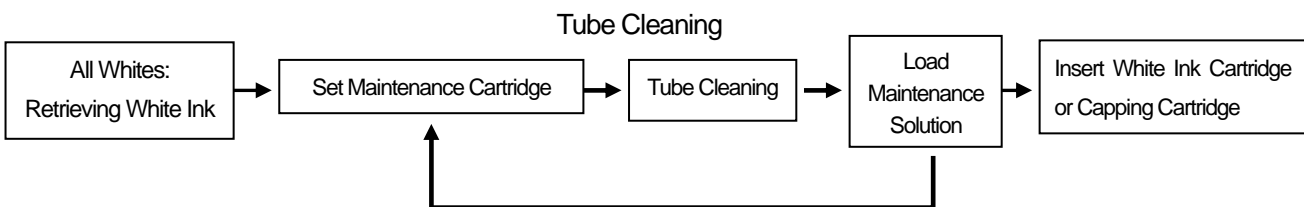
This menu washes away the pigments inside the Tubes and Print Heads. When you execute this menu all-in-one time, GT-381 for four Tubes, GT-361 for two Tubes, you can retrieve the White Ink before Tube Cleaning. It takes time but you can save the cost. If you select the Tube one by one then the White Ink will not be retrieved. Follow the indications on the Display and operate with Maintenance Cartridge.

<Note>

If you leave GT-3 printer unused for more than two weeks, execute White Tube Cleaning for storage. Insert Capping Cartridges (option) in place of White Ink Cartridge. See "6-2-5. Required Maintenance for the Long Storage" in the Instruction Manual.

Contiguous All Whites

The following image show the steps:



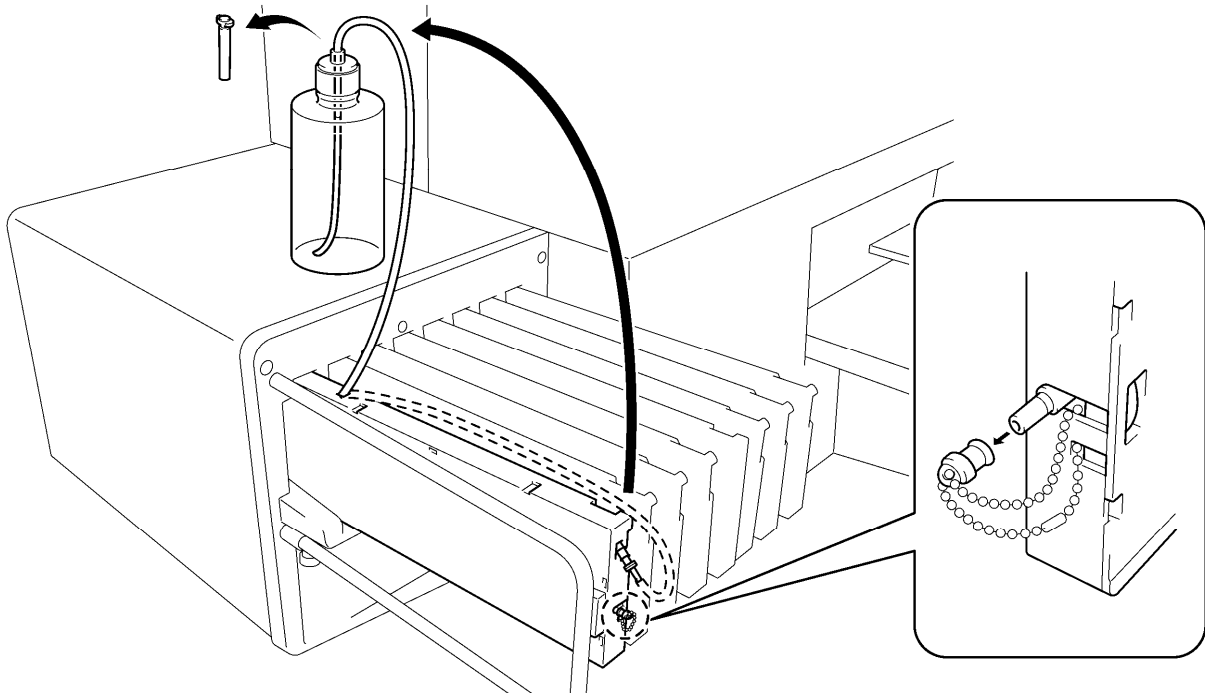
Repeats the steps four times for GT-381(W1-W4), two times for GT-361 (W1, W2)

<Note>

If you execute Tube Cleaning one by one, then the first "Retrieving White Ink" is skipped.

Insert Capping Cartridges (option) in place of White Ink Cartridge when you leave the GT-3 printer unused for more than two weeks.

- (1) Fill the bottle with Maintenance Solution. Confirm that at least more than 250 ml per one Print Head is in the bottle.
- (2) Confirm in advance the amount of the Waste Ink in the Waste Ink Tank (more than 500 ml).
- (3) Confirm that the printer is either [Standby] or [Ready].
- (4) Select [Maintenance] > [White Tube Cleaning] from the menu and press OK Button.
- (5) Select [All Whites] then White Ink retrieval starts and the countdown is indicated on the Display. Please wait until the retrieval finishes (4 minutes).
- (6) When White Ink retrieval is finished, the message [Set Maintenance Cartridge] is indicated on the Display. Remove the White Ink Cartridge of W1 and insert the Maintenance Cartridge to W1 slot. and press OK Button. Confirm that the tube of the Maintenance Cartridge reaches to the bottom of the bottle.



0076Y

- (7) [Close Air-in Cap] is indicated. Confirm that the Air-in Cap is capped (closed) and press OK Button. The pump starts turning. After 30 seconds, when the beep sounds ring, the message [Open Air-in Cap] is indicated on the Display. Uncap (open) the air-in cap and press OK button. The air goes into the tube and wash away the remained White Ink.
- (8) After washing with air bubbles, when the beep sounds ring, the message [Close Air-in Cap] is indicated on the Display, which is to remove the air bubbles with Maintenance Solution. Close the Air-in Cap again and press OK button. It takes about * minutes to refill the Maintenance Solution.
- (9) After refilling the Maintenance Solution, the message to go to W2 is indicated on the Display. Remove the Maintenance Cartridge from W1 slot and mount the Maintenance Cartridge to W2 slot, and install the well-shaken White Ink Cartridge to W1. Tube Cleaning W1 is finished successfully. Repeat the steps for other White Print Head(s).

<Note>

Insert White Capping Cartridges (option) in place of White Ink Cartridge when you leave the GT-3 printer unused for more than two weeks. See "6-2-5. Required Maintenance for the Long Storage" in the Instruction Manual and "1-3-5. Consumable Requirements and Options" for Part Code.

5. Maintenance

Loading White Ink after Tube Cleaning

- (1) Load the White Ink with full of Maintenance Solution in the Tube, the step (9) in the previous page. Insert the White Ink Cartridge and select [Maintenance] > [Load White] from the menu and press OK.
- (2) Select [All Whites] or one from W1-W4 and press OK. White Ink starts loading.

<Note>

The menu [Initial Cleaning] of the White Ink starts from loading Maintenance Solution, to load White Ink into the Tube smoothly. After Tube Cleaning, when the Tubes are filled with Maintenance Solution, select [Load White] to load White Ink.

One-by-one Tube Cleaning

- (1) Fill the bottle with Maintenance Solution. Confirm that at least more than 250 ml per one Print Head is in the bottle.
- (2) Confirm in advance the amount of the Waste Ink in the Waste Ink Tank (more than 500 ml).
- (3) Confirm that the printer is either [Standby] or [Ready].
- (4) Select [Maintenance] > [White Tube Cleaning] from the menu and press OK Button.
- (5) Select [White-1 (or White-2 to White-4)] then the message [Set Maintenance Cartridge] is indicated. Remove the White Ink Cartridge of W1 and insert the Maintenance Cartridge to W1 slot. and press OK Button. Confirm that the tube of the Maintenance Cartridge reaches to the bottom of the bottle. [Close Air-in Cap] is indicated. Confirm that the Air-in Cap is capped (closed) and press OK Button.

<Note>

White Ink is retrieved only when [All Whites] is selected.

- (6) The pump starts turning. After 30 seconds, when the peep sounds ring, the message [Open Air-in Cap] is indicated on the Control Panel. Uncap (open) the air-in cap and press OK button. The air goes into the tube and wash away the remained White Ink. It takes about 10 minutes to wash one tube.
- (7) After washing with air bubbles, when the peep sounds ring, the message [Close Air-in Cap] is indicated on the Control Panel, which is to remove the air bubbles with Maintenance Solution Close the Air-in Cap again and press OK button.
- (8) After refilling the Maintenance Solution, the message of selecting Print Head menu is indicated. Remove the Maintenance Cartridge from W1 slot and insert well-shaken White Ink Cartridge. Tube Cleaning W1 is finished successfully.

5-2-3. Waste Ink Disposal

Use a polyethylene tank for additional Waste Ink Tank. Confirm in advance the amount of the Waste Ink when you do the maintenance, especially when you execute the maintenance menu of Initial Cleaning and White Tube Cleaning. Deal with care because it is heavy.

- (1) Prepare a new polyethylene tank.
- (2) Pull off the Waste Ink Tube carefully and insert it to the new Waste Ink Tank.

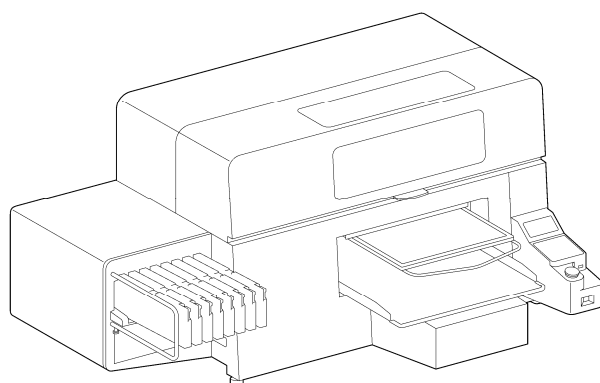
<Note>

Make sure that the Waste Ink should flow in the tube without bend.

- (3) Remove the full Waste Ink Tank and cap tightly and carefully.
- (4) Install the new Waste Ink Tank in a proper position.

<Note>

Dispose the used waste ink, pretreatment, maintenance solution (all water-based) or other wastes in accordance with your local regulations. Or make contact to your dealer.



BASIC OPERATION MANUAL

* Please note that the contents of this manual may differ slightly from the actual product purchased as a result of product improvements.

BROTHER INDUSTRIES, LTD. <http://www.brother.com/>
1-5, Kitajizoyama, Noda-cho, Kariya 448-0803, Japan.

© 2012 Brother Industries, Ltd. All Rights Reserved.

This is the original instructions.

GT-3 Series
SB3150-001 E
2012.03. F (2)

Free Manuals Download Website

<http://myh66.com>

<http://usermanuals.us>

<http://www.somanuals.com>

<http://www.4manuals.cc>

<http://www.manual-lib.com>

<http://www.404manual.com>

<http://www.luxmanual.com>

<http://aubethermostatmanual.com>

Golf course search by state

<http://golfingnear.com>

Email search by domain

<http://emailbydomain.com>

Auto manuals search

<http://auto.somanuals.com>

TV manuals search

<http://tv.somanuals.com>