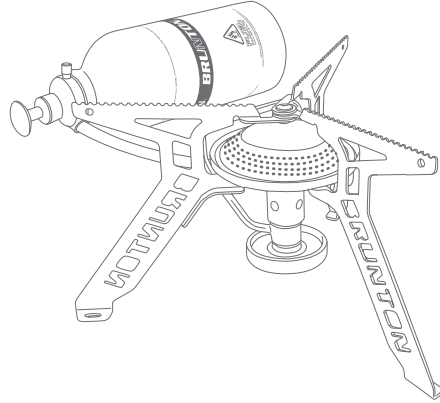


BRUNTON**BANTAM™**

Instructions for 81-100726

**Use outdoors only and do not allow children to reach**

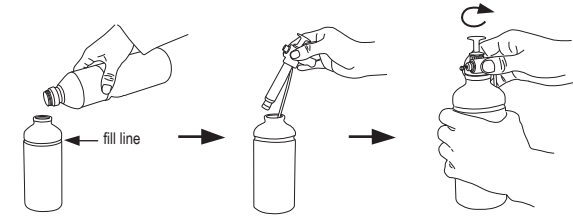
Please read, understand and follow all instructions and warnings before using this product. The proper fuel bottle for this product is included.

BRUNTON
 www.brunton.com
OPERATING INSTRUCTIONS

- Before using the Brunton Bantam stove, please read and follow all the steps below carefully.

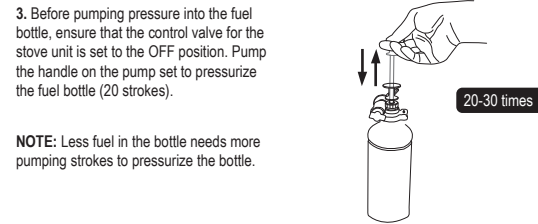
1 Filling the fuel bottle

1. Pour the fuel up to the fill line on the bottle. Do not overfill.
2. Insert pump and turn clockwise to tighten.



3. Before pumping pressure into the fuel bottle, ensure that the control valve for the stove unit is set to the OFF position. Pump the handle on the pump set to pressurize the fuel bottle (20 strokes).

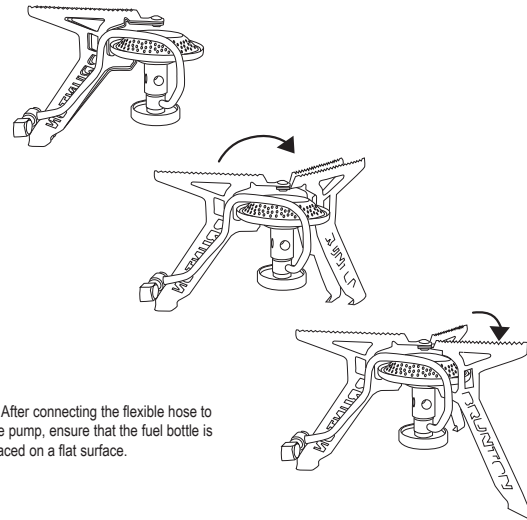
NOTE: Less fuel in the bottle needs more pumping strokes to pressurize the bottle.

**WARNING**

- To avoid the possibility of serious injury, use only a Brunton pump and bottle.
- Use only White Gasoline, other fuel could clog the nozzle and may cause a fire hazard.
- Keep away from children.

2 Using the stove

1. Unfold the stove legs and place the stove on a flat surface.



2. After connecting the flexible hose to the pump, ensure that the fuel bottle is placed on a flat surface.

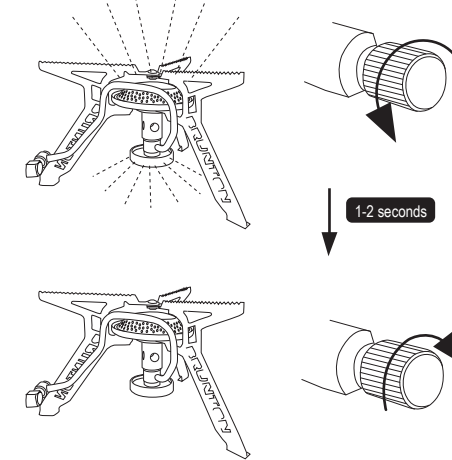
WARNING

- Using the stove on uneven surface is very dangerous and may cause a fire hazard and serious injury.
- When the fuel bottle has been connected to the pump be sure that the valve knob is set to the OFF position.
- When the stove is in use, keep fuel bottle as far away as possible.

3 Preheating the stove

- Before using the stove with white gas, it is necessary to pre-heat the fuel. This is called priming the stove.

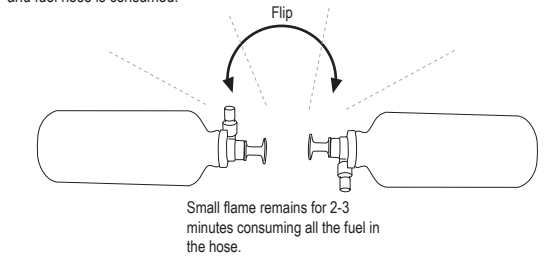
1. Turn the valve knob counter clockwise to the (ON) position and wait 1-2 seconds until the jet emits a small amount of fuel onto the priming pad then close the valve by rotating the knob counter clockwise to the (OFF) Position. If fuel does not flow, the fuel bottle is low on gas and the bottle may need pressurizing or more fuel.

**WARNING**

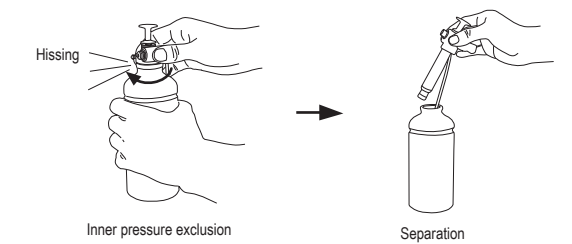
- Before igniting the stove, ensure that the valve knob is turned to the clockwise (OFF) position.
- Never place your head or body above the stove when lighting it.

4 Extinguishing the stove

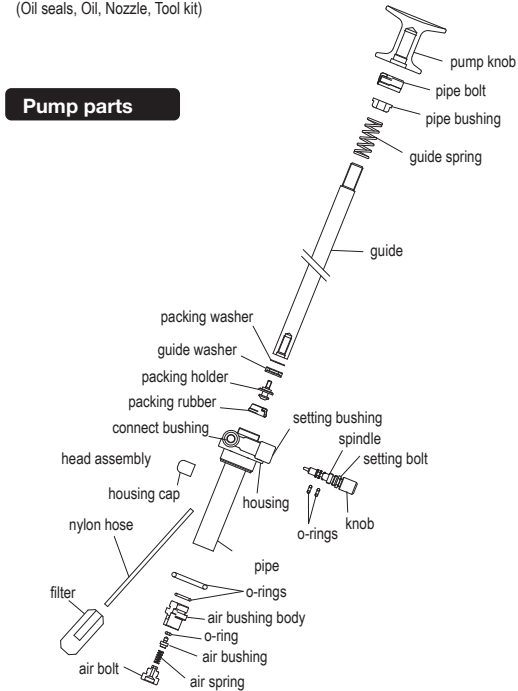
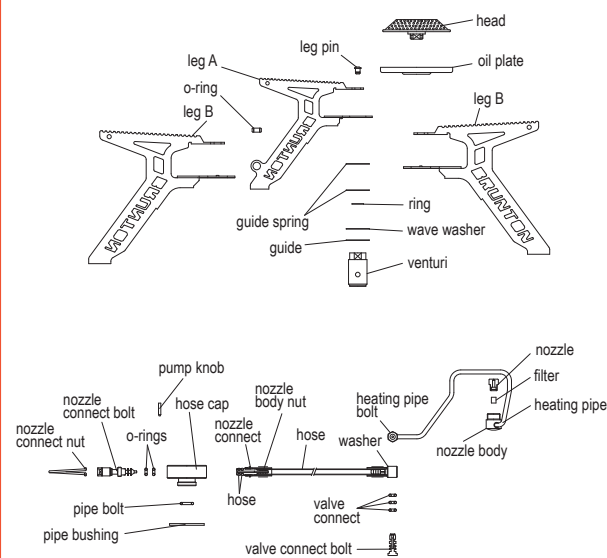
1. To extinguish the stove, turn the valve knob to the OFF position and flip the bottle over. NOTE: The stove will continue to burn for a short time until all of the fuel in the generator tube and fuel hose is consumed.



2. After the fire extinguishes, the stove will remain hot, wait until the stove cools down.
3. Separate the stove from pump.
4. Fuel bottle and pump can be transported as a connected assembly. When separating the pump from fuel bottle, turn the pump slowly so that the pressure retained inside the fuel bottle can release gradually.

**PARTS REPLACEMENT AND MAINTENANCE****1 Checking & replacing seals and O-rings**

Dried or torn parts need to be replaced. Check the color and size and any printed markings and contact your nearest Brunton stock list or retailer for replacements. (Oil seals, Oil, Nozzle, Tool kit)

Pump parts**Stove parts****WARNING**

- After disassembling and assembling, be sure to check for leakage with soapy water.

2 Poor performance & nozzle clogging

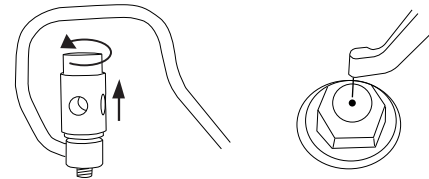
- Clogging inside the nozzle or generator tube may disturb the fuel and create poor stove performance.

- Remove clogging inside the nozzle hole with a nozzle pin.

- If clogging persists inside of the nozzle or generator tube, a more thorough cleaning is required.

A) How to clean with nozzle pin

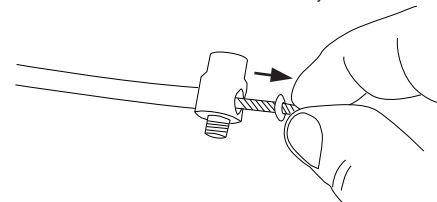
1. Turn off the stove valve and wait until the stove has completely cooled down.
2. Remove the Jet by disassembling and removing the generator tube assembly from the stove with the tool kit.
3. Clean the jet with the nozzle pin
4. Re-Assemble the stove and check for any fuel leaks.



- If cleaning the Jet does not improve the stove efficiency, clean the generator tube as well.

B) How to clean the generator tube

1. Begin by removing the generator tube assembly from the stove with the tool kit.
2. Pull the wire out brush clean of any debris and replace
3. Re-Assemble the stove and check for any fuel leaks

**WARRANTY**

Brunton warrants this product to be free of defects in workmanship and materials for the lifetime of the original owner, and is nontransferable. If you have any problems with your Brunton stove, the stove should be returned to the dealer or sent to Brunton, 2255 Brunton Court, Riverton, WY 82501 U.S.A. Please contact Brunton at the number below to obtain RA#. Clean food and soot from stove before shipping. Shipping cost to Brunton is the responsibility of the purchaser. Return postage will be paid by Brunton. Please return this warranty card to Brunton as a proof of purchase. This warranty does not cover damage caused by accident, misuse, abuse, or tampering. A nominal charge will be assessed to repair such damage.

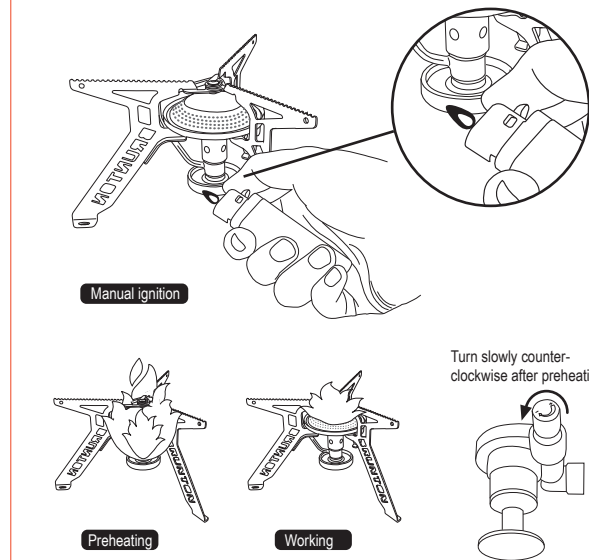
BRUNTON | 2255 Brunton Court, Riverton, WY USA 82501
 www.brunton.com | PH: 307.857.4700
LIMITS OF LIABILITY

Brunton assumes no responsibility for any inconvenience, loss, or injury, direct or consequential damage arising from possession or use of the goods. This warranty gives you specific legal rights which may vary from state to state. Check with your local state about your rights.

WARNING

- Only use in well ventilated areas.
- Keep well away from children.
- Do not leave unattended while in use.
- Do not operate near flammable materials.

2. After fuel has been primed to the stove, ignite the fuel through the ignition port with a lighter or a match to preheat the generator pipe.
3. After pre-heating (1-2minutes) slowly open the valve to allow fuel to flow through the generator unit. The flame may appear yellow for the first minute of operation but should settle to a crisp blue flame that is the normal cooking flame. If an excessively high yellow flame is evident, turn off the stove and repeat the preheating process.
4. Never allow fuel to overflow from the stove base, as leaking fuel will ignite and may cause a fire hazard and serious injury.
5. If the flame decreases in intensity, further pressurization of the fuel bottle is required.


BRUNTON
 VISIT OUR WEBSITE AT www.brunton.com

Warranty card must be filled out completely and returned within 30 days with proof of purchase for warranty to be valid.

BRUNTON
 ATTN: WARRANTY DEPT.
 2255 BRUNTON COURT
 RIVERTON, WYOMING 82501
 307.857.4700
BRUNTON WARRANTY REGISTRATION
 NAME _____
 ADDRESS _____
 CITY _____ ST/PROV _____ ZIP _____
 PHONE _____ EMAIL _____
 MODEL# _____ DATE PURCHASED _____
 PURCHASED FROM _____
 CITY _____ ST/PROV _____ ZIP _____
 PRICE PAID \$ _____ 1006

BRUNTON®

Free Manuals Download Website

<http://myh66.com>

<http://usermanuals.us>

<http://www.somanuals.com>

<http://www.4manuals.cc>

<http://www.manual-lib.com>

<http://www.404manual.com>

<http://www.luxmanual.com>

<http://aubethermostatmanual.com>

Golf course search by state

<http://golfingnear.com>

Email search by domain

<http://emailbydomain.com>

Auto manuals search

<http://auto.somanuals.com>

TV manuals search

<http://tv.somanuals.com>