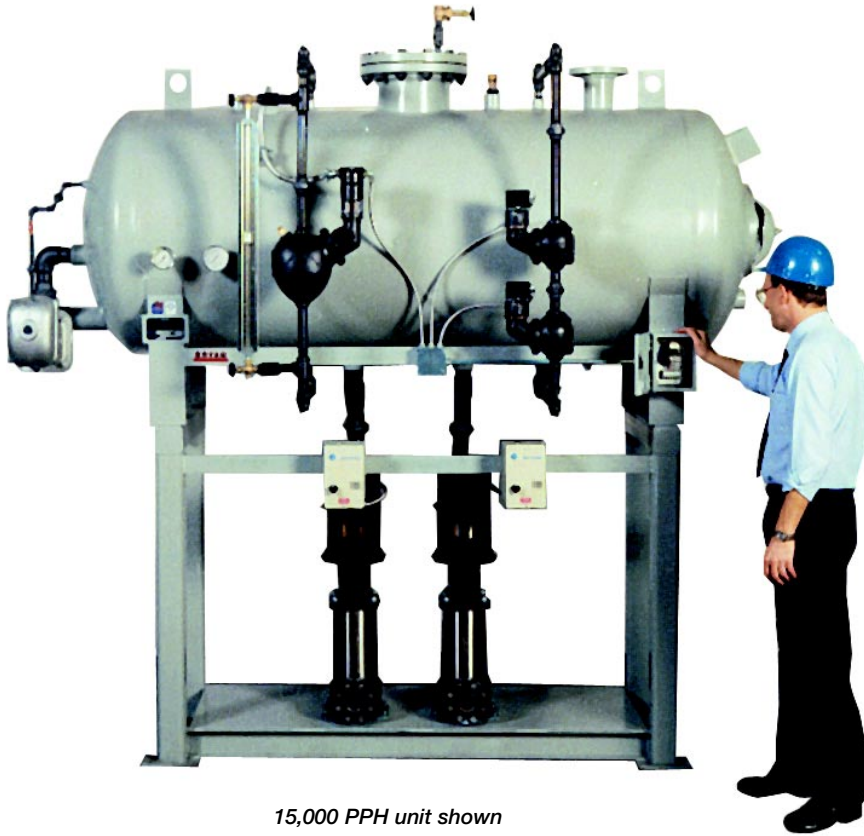


# BRYAN STEAM

## Spray Type Boiler Feedwater Deaerators Capacities 5,000 to 60,000 PPH (145 to 1740 BHP)



15,000 PPH unit shown

### Performance Features

- Oxygen removal to .005 cc/l (7 PPB)
- CO<sub>2</sub> removal to 0% measurable
- Reduce chemical costs
- Reduce boiler and system corrosion
- Improve boiler efficiency
- Pre-heat boiler feedwater
- Quick equipment payback, compared to chemical oxygen removal

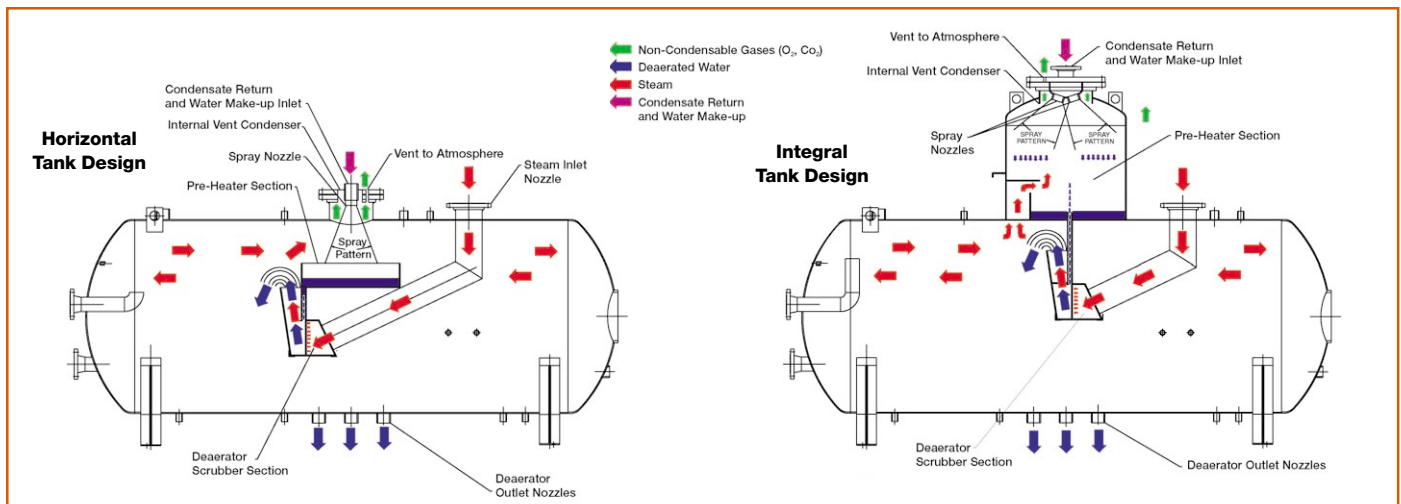
### Construction Features

- Constructed to ASME Section VIII, Division I for 50 PSIG
- Easily accessible manway
- Standard 10 minutes deaerated water storage
- Internal vent condenser for minimum steam loss
- Self-adjusting spring-loaded stainless steel spray valve
- Structural steel stand/pump platform
- 2-stage deaeration
- Available as completely packaged unit including pumps and control panel

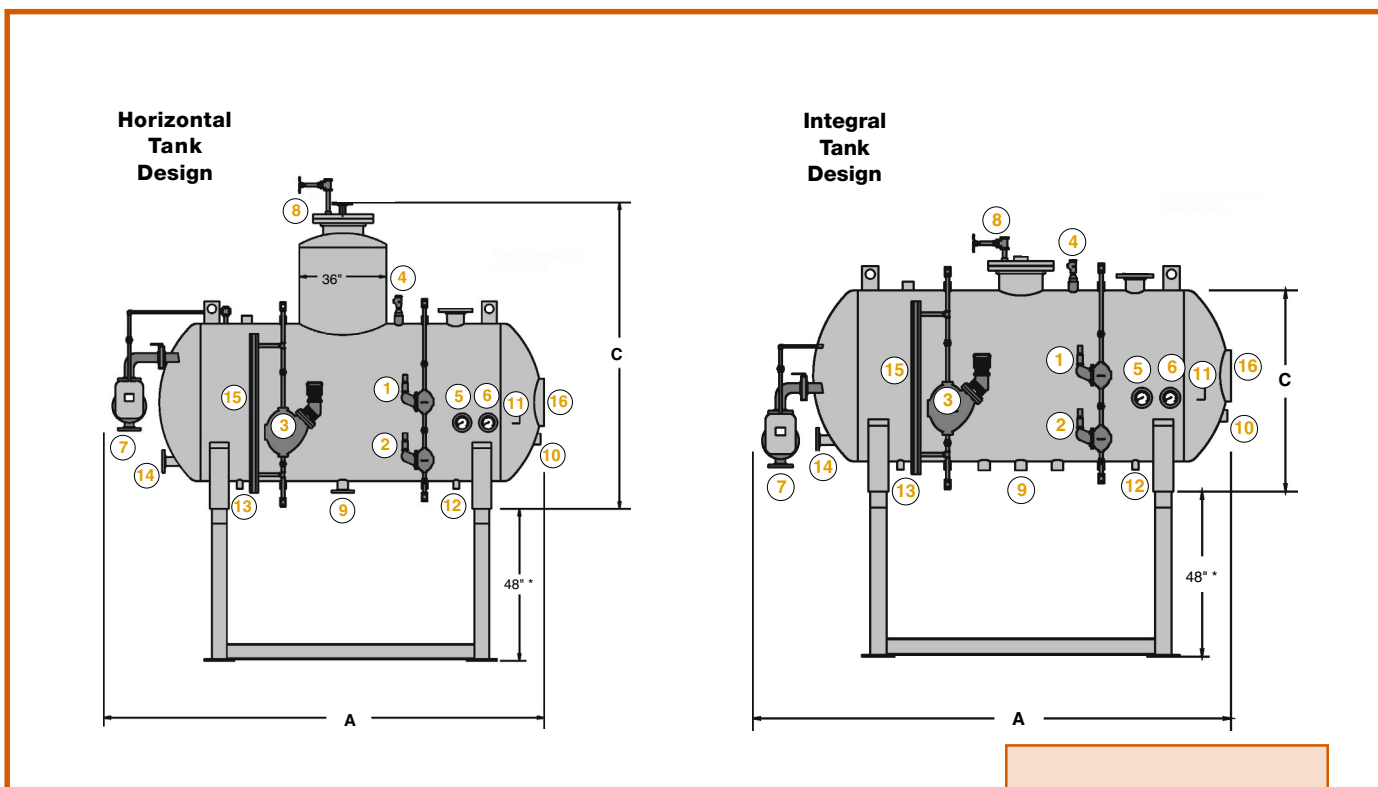
The Bryan spray type deaerator is rated for oxygen removal to .005cc/l (7 PPB) and CO<sub>2</sub> to zero measurable across its entire operating range. With its all stainless steel spring loaded spray valve and second stage steam scrubber, the spray type deaerator is a

good choice for all deaerator applications.

Units are available with a complete range of boiler feedpumps and control options making them a total deaerator package with minimal amount of field assembly.



# Bryan Spray Type Deaerators — Horizontal and Integral



1. High water level control
2. Low water level control
3. Make-up water control
4. Vacuum breaker
5. Temperature gauge
6. Pressure gauge
7. Overflow trap
8. Vent
9. Pump suction
10. Pump bypass
11. Chemical port
12. Drain
13. Sample port
14. High temperature condensate return
15. Gauge glass
16. Manway access opening

## Specifications

| Model                         | Capacity           |                   |                             | Dimensions in inches (cm) |                 |                   |
|-------------------------------|--------------------|-------------------|-----------------------------|---------------------------|-----------------|-------------------|
|                               | Pounds/hr (kg/h)   | Boiler hp (kW)    | Storage in gallons (liters) | A Overall length          | B Overall width | C* Overall height |
| <b>Horizontal Tank Design</b> |                    |                   |                             |                           |                 |                   |
| DSH-5                         | 5,000<br>(2,268)   | 145<br>(1,422)    | 200<br>(757)                | 124 (315)                 | 36 (91)         | 52 (132)          |
| DSH-10                        | 10,000<br>(4,536)  | 290<br>(2,844)    | 200<br>(757)                | 124 (315)                 | 36 (91)         | 52 (132)          |
| DSH-15                        | 15,000<br>(6,804)  | 435<br>(4,267)    | 300<br>(1,136)              | 117 (297)                 | 42 (107)        | 60 (152)          |
| DSH-20                        | 20,000<br>(9,072)  | 580<br>(5,689)    | 400<br>(1,514)              | 120 (305)                 | 48 (122)        | 64 (163)          |
| DSH-25                        | 25,000<br>(11,340) | 725<br>(7,111)    | 500<br>(1,893)              | 137 (348)                 | 48 (122)        | 64 (163)          |
| DSH-30                        | 30,000<br>(13,608) | 870<br>(8,533)    | 600<br>(2,271)              | 156 (396)                 | 48 (122)        | 64 (163)          |
| <b>Integral Tank Design</b>   |                    |                   |                             |                           |                 |                   |
| DST-35                        | 35,000<br>(15,876) | 1,014<br>(9,956)  | 700<br>(2,650)              | 143 (363)                 | 48 (122)        | 104 (264)         |
| DST-40                        | 40,000<br>(18,144) | 1,159<br>(11,378) | 800<br>(3,028)              | 156 (396)                 | 48 (122)        | 104 (264)         |
| DST-45                        | 45,000<br>(20,412) | 1,304<br>(12,800) | 900<br>(3,407)              | 141 (358)                 | 54 (137)        | 110 (279)         |
| DST-50                        | 50,000<br>(22,680) | 1,449<br>(14,222) | 1,000<br>(3,785)            | 171 (434)                 | 60 (152)        | 120 (305)         |
| DST-60                        | 60,000<br>(27,216) | 1,739<br>(17,067) | 1,200<br>(4,542)            | 177 (450)                 | 60 (152)        | 120 (305)         |

\* Not including the stand.

**BRYAN STEAM**  
**Bryan Steam LLC — Leaders Since 1916**  
 783 N. Chili Ave., Peru, Indiana 46970 U.S.A.  
 Phone: 765-473-6651 • Internet: www.bryanboilers.com  
 Fax: 765-473-3074 • E-mail: bryanboilers@iquest.net

## Free Manuals Download Website

<http://myh66.com>

<http://usermanuals.us>

<http://www.somanuals.com>

<http://www.4manuals.cc>

<http://www.manual-lib.com>

<http://www.404manual.com>

<http://www.luxmanual.com>

<http://aubethermostatmanual.com>

Golf course search by state

<http://golfingnear.com>

Email search by domain

<http://emailbydomain.com>

Auto manuals search

<http://auto.somanuals.com>

TV manuals search

<http://tv.somanuals.com>