

**123A  
LEGACY™ LINE 13 AIR CONDITIONER  
WITH PURON® REFRIGERANT  
1-1/2 TO 5 NOMINAL TONS (SIZE 018 TO 060)**



## Product Data



**LEGACY™  
LINE**

Bryant's Air Conditioners with Puron® refrigerant provide a collection of features unmatched by any other family of equipment. Air Conditioner model 123A has been designed utilizing Bryant's Puron refrigerant. The environmentally sound refrigerant allows you to make a responsible decision in the protection of the earth's ozone layer.

As an Energy Star® Partner, Bryant Heating & Cooling has determined that this product meets the Energy Star® guidelines for energy efficiency. Refer to the combination ratings in the Product Data for system combinations that meet Energy Star® guidelines.

**NOTE: Ratings contained in this document are subject to change at any time. Always refer to the AHRI directory ([www.ahridirectory.org](http://www.ahridirectory.org)) for the most up-to-date ratings information.**

### INDUSTRY LEADING FEATURES / BENEFITS

#### EFFICIENCY

- 13 - 15 SEER/11 - 12 EER
- Microtube Technology™ refrigeration system
- Indoor air quality accessories available

#### SOUND

- Sound level as low as 74 dBA

#### COMFORT

- System supports Thermidistat™ Control or standard thermostat

#### RELIABILITY

- Puron® refrigerant - environmentally sound, won't deplete the ozone layer and low lifetime service cost.
- Front-seating service valves
- Scroll compressor
- Internal pressure-relief valve
- Internal thermal overload
- Low-pressure switch
- High-pressure switch
- Filter drier
- Balanced refrigeration system for maximum reliability

#### DURABILITY

DuraGuard™ protection package:

- Solid, durable sheet metal construction
- Steel louver coil guard
- Baked-on, complete outer coverage, powder paint
- Color matched cabinet screws

#### APPLICATIONS

- Long-line - up to 250 feet (76.20 m) total equivalent length, up to 200 feet (60.96 m) condenser above evaporator, or up to 80 ft. (24.38 m) evaporator above condenser (See Longline Guide for more information.)
- Low ambient (down to -20°F/-28.9°C) with accessory kit

## MODEL NUMBER NOMENCLATURE

1	2	3	4	5	6	7	8	9	10	11	12	14
N	N	N	A	A/N	N	N	N	N	A/N	A/N	N	A
1	2	3	A	N	A	0	3	6	0	0	0	a
Product Family	Tier	SEER	Major Series	Voltage	Variations	Cooling Capacity			Open	Open	Open	Minor Series
1=AC	2= Legacy	3=13 SEER (Nominal)	A=Puron	N=208/230-1 P = 208/230-3 E = 460/3	A = Standard				0=Not Defined	0= Not Defined	0= Not Defined	A = Original Series

123A



Use of the AHRI Certified TM Mark indicates a manufacturer's participation in the program. For verification of certification for individual products, go to [www.ahridirectory.org](http://www.ahridirectory.org).



This product has been designed and manufactured to meet Energy Star® criteria for energy efficiency when matched with appropriate coil components. However, proper refrigerant charge and proper air flow are critical to achieve rated capacity and efficiency. Installation of this product should follow all manufacturing refrigerant charging and air flow instructions. **Failure to confirm proper charge and air flow may reduce energy efficiency and shorten equipment life.**

## STANDARD FEATURES

Feature	18	24	30	36	42	48	60
Puron Refrigerant	X	X	X	X	X	X	X
Up to 14 SEER / 11.5 EER	X	X	X	X	X	X	
Scroll Compressor	X	X	X	X	X	X	X
Louvered Coil Guard	X	X	X	X	X	X	X
Field – Installed Filter Drier	X	X	X	X	X	X	X
Front – Seating Service Valves	X	X	X	X	X	X	X
Internal Pressure – Relief Valve	X	X	X	X	X	X	X
Internal Thermal Overload	X	X	X	X	X	X	X
Long Line capability	X	X	X	X	X	X	X
Low Ambient capability with Kit	X	X	X	X	X	X	X
Low – Pressure Switch	X	X	X	X	X	X	X
High – Pressure Switch	X	X	X	X	X	X	X
Compressor Sound Blanket	X	X	X	X	X	X	X

X = Standard

# PHYSICAL DATA

UNIT SIZE–SERIES	018–C	024–C	030–C	036–C	042–C	048–C	060–C
Operating Weight lb (kg)	130 (59.0)	130 (59.0)	142 (64.4)	161 (73.0)	205 (93.0)	228 (103.4)	251 (113.9)
Shipping Weight lb (kg)	151 (68.5)	151 (68.5)	164 (74.4)	184 (83.5)	233 (105.7)	256 (116.1)	285 (129.3)
Compressor Type	Scroll						
REFRIGERANT	Puron® (R–410A)						
Control	TXV (Puron® Hard Shutoff)						
Charge lb (kg)	3.57 (1.62)	3.72 (1.69)	4.50 (2.04)	5.05 (2.29)	5.84 (2.65)	8.00 (3.63)	8.44 (3.83)
COND FAN	Propeller Type, Direct Drive						
Air Discharge	Vertical						
Air Qty (CFM)	1880	2200	2200	2950	3170	3365	4050
Motor HP	1/12	1/10	1/10	1/4	1/5	1/4	1/4
Motor RPM	1100	1100	1100	1100	825	825	825
COND COIL							
Face Area (Sq. ft.)	9.85	9.85	11.49	14.77	17.25	21.56	25.15
Fins per In.	20	20	25	25	25	25	25
Rows	1	1	1	1	1	1	1
Circuits	3	3	3	3	4	5	5
VALVE CONNECT. (In. ID)							
Vapor	5/8	5/8	3/4	3/4	7/8	7/8	7/8
Liquid	3/8						
REFRIGERANT TUBES (In. OD)							
Rated Vapor*	5/8	5/8	3/4	3/4	7/8	7/8	1–1/8
Liquid	3/8						

\*Units are rated with 25 ft (7.6 m) of lineset length. See Vapor Line Sizing and Cooling Capacity Loss table when using other sizes and lengths of lineset.

**Note:** See unit Installation Instruction for proper installation.

## VAPOR LINE SIZING AND COOLING CAPACITY LOSS

**LONG LINE APPLICATION:** An application is considered "Long line" when the total equivalent tubing length exceeds 80 ft. (24.38 m) or when there is more than 20 ft. (6.09 m) vertical separation between indoor and outdoor units. These applications require additional accessories and system modifications for reliable system operation. The maximum allowable total equivalent length is up to 250 ft. (76.2 m). The maximum vertical separation is 200 ft.

(60.96 m) when outdoor unit is above indoor unit, and up to 80 ft. (24.38 m) when the outdoor unit is below the indoor unit. Refer to Accessory Usage Guideline below for required accessories. See Longline Application Guideline for required piping and system modifications. Also, refer to the table below for the vapor tube diameters based on the total length to minimize the cooling capacity loss.

Unit Nominal Size (Btuh)	Maximum Liquid Line Diameters (In. OD)	Vapor Line Diameters (In. OD)	Cooling Capacity Loss (%) Total Equivalent Line Length ft. (m)								
			Standard Application		Long Line Application Requires Accessories						
			26–50 (7.9–15.2)	51–80 (15.5–24.4)	81–100 (24.7–30.5)	101–125 (30.8–38.1)	126–150 (38.4–45.7)	151–175 (46.0–53.3)	176–200 (53.6–61.0)	201–225 (61.3–68.6)	226–250 (68.9–76.2)
18000 1 Stage Puron AC	3/8	1/2	1	2	3	4	6	7	8	9	10
		5/8	0	0	1	1	1	2	2	3	3
24000 1 Stage Puron AC	3/8	5/8	0	1	1	2	3	3	4	4	5
		3/4	0	0	0	0	1	1	1	1	1
		7/8	0	0	0	0	0	0	0	0	0
30000 1 Stage Puron AC	3/8	5/8	1	2	3	3	4	5	6	7	8
		3/4	0	0	1	1	1	2	2	2	3
		7/8	0	0	0	0	1	1	1	1	1
36000 1 Stage Puron AC	3/8	5/8	1	2	4	5	6	7	9	10	11
		3/4	0	0	1	1	2	2	3	3	4
		7/8	0	0	0	0	1	1	1	1	2
42000 1 Stage Puron AC	3/8	3/4	0	1	2	2	3	4	4	5	6
		7/8	0	0	1	1	1	2	2	2	3
		1 1/8	0	0	0	0	0	0	0	0	0
48000 1 Stage Puron AC	3/8	3/4	0	1	2	3	4	5	5	6	7
		7/8	0	0	1	1	2	2	2	3	3
		1 1/8	0	0	0	0	0	0	0	1	1
60000 1 Stage Puron AC	3/8	3/4	1	2	4	5	6	7	9	10	11
		7/8	0	1	2	2	3	4	4	5	5
		1 1/8	0	0	0	1	1	1	1	1	1

Applications in this area are long line. Accessories are required as shown recommended on Long Line Application Guidelines

Applications in this area may have height restrictions that limit allowable total equivalent length, when outdoor unit is below indoor unit. See Long Line Application Guidelines

# ACCESSORIES

ORDER NUMBER	DESCRIPTION	UNIT SIZE-SERIES (Voltage)															
		018-C (N)	024-C (N)	030-C (N)	30-C (P)	036-C (N)	36-C (P)	36-C (E)	042-C (N)	42-C (P)	42-C (E)	048-C (N)	48-C (P)	48-C (E)	060-C (N)	60-C (P)	60-C (E)
KAACH1201AAA	CRANKCASE HTR								X	X		X	X		X	X	
KAACH1301AAA	CRANKCASE HTR										X			X			X
KAACH1401AAA	CRANKCASE HTR	X	X	X	X	X	X										
KAACH1501AAA	CRANKCASE HTR							X									
KSACY0101AAA	CYCLE PROTECTOR	X	X	X	X	X	X	X	X	X	X	X	X	X	X	X	X
KAAFT0101AAA	FREEZE THERMOSTAT	X	X	X	X	X	X	X	X	X	X	X	X	X	X	X	X
KSAHS1701AAA	HARD START (CAP / RELAY)	X	X	X		X			X			X			X		
KSALA0301410	LOW AMBIENT PSW	X	X	X	X	X	X	X	X	X	X	X	X	X	X	X	X
HC32GE234	MOTOR FAN BALL BEARING 230V	X															
HC34GE239	MOTOR FAN BALL BEARING 230V		X	X	X												
HC40GE226	MOTOR FAN BALL BEARING 230V					X	X										
HC40GE466	MOTOR FAN BALL BEARING 460V							X									
HC38GE228	MOTOR FAN BALL BEARING 230V								X	X							
HC38GE462	MOTOR FAN BALL BEARING 460V										X						
HC40GE228	MOTOR FAN BALL BEARING 230V										X	X		X	X		
HC40GE467	MOTOR FAN BALL BEARING 460V												X				X
KSALA0601AAA	MOTORMASTER 230V	X	X	X	X	X	X		X	X		X	X		X	X	
KSALA0701AAA	MOTORMASTER 460V							X			X			X			X
KAALS0201LLS	SOLENOID VALVE	X	X	X	X	X	X	X	X	X	X	X	X	X	X	X	X
KAACS0201PTC	START ASSIST PTC	X	X	X		X			X			X			X		
KSASF0101AAA	SUPPORT FEET	X	X	X	X	X	X	X	X	X	X	X	X	X	X	X	X
KAATD0101TDR	TIME DELAY RELAY	X	X	X	X	X	X	X	X	X	X	X	X	X	X	X	X
KSATX0201PUR	TXV PURON HSO	X	X	X	X												
KSATX0301PUR	TXV PURON HSO					X	X	X	X	X	X						
KSATX0401PUR	TXV PURON HSO											X	X	X			
KSATX0501PUR	TXV PURON HSO														X	X	X
KAAWS0101AAA	WINTER START	X	X	X	X	X	X	X	X	X	X	X	X	X	X	X	X

x = Accessory

## ACCESSORY THERMOSTATS

THERMOSTAT / SUBBASE PKG.	DESCRIPTION
T6-PRH-01	Programmable Thermidistat
T6-NRH-01	Non-programmable Thermidistat
T2-PAC-01	Legacy Series Programmable AC Stat
T2-NAC-01	Legacy Series Non-programmable AC Stat
TSTATBBPRH01-B	Thermidistat Control - Programmable / Non-Programmable Thermostat with Humidity control
TSTATBBPAC01-B	Thermostat - Auto Changeover, 7-Day Programmable, °F/°C, 1-Stage Heat, 1-Stage Cool
TSTATBBNAC01-C (N)	Thermostat - Auto Changeover, Non-Programmable, °F/°C, 1-Stage Heat, 1-Stage Cool
TSTATBBBAC01-B	Builder's Thermostat - Manual Changeover, Non-Programmable, °F/°C, 1-Stage Heat, 1-Stage Cool
TSTATBBSEN01-B	Outdoor Air Temperature Sensor
TSTATXXBBP01	Backplate for Builder's Thermostat
TSTATXXNBP01	Backplate for Non-Programmable Thermostat
TSTATXXBP01	Backplate for Programmable Thermostat
TSTATXXCNV10	Thermostat Conversion Kit (4 to 5 wires) - 10 Pack

# ACCESSORY USAGE GUIDELINE

ACCESSORY	REQUIRED FOR LOW-AMBI- ENT COOLING APPLICATIONS (Below 55°F/12.8°C)	REQUIRED FOR LONG LINE APPLICATIONS* (Over 80 ft./24.38 m)	REQUIRED FOR SEA COAST APPLICATIONS (Within 2 miles/3.22 km)
Ball Bearing Fan Motor	Yes†	No	No
Compressor Start Assist Capacitor and Relay	Yes	Yes	No
Crankcase Heater	Yes	Yes	No
Evaporator Freeze Thermostat	Yes	No	No
Hard Shut-Off TXV	Yes	Yes	Yes
Liquid Line Solenoid Valve	No	No	No
Motor Master® Control or Low-ambient Pressure Switch	Yes	No	No
Support Feet	Recommended	No	Recommended
Winter Start Control	Yes	No	No

\* For tubing line sets between 80 and 200 ft. (24.38 and 60.96 m) and/or 20 ft. (6.09 m) vertical differential, refer to Residential Split-System Longline Application Guideline.

† Required for Low-Ambient Controller (full modulation feature) MotorMaster® Control.

## ACCESSORY DESCRIPTION AND USAGE (LISTED ALPHABETICALLY)

### 1. Ball-Bearing Fan Motor

A fan motor with ball bearings which permits speed reduction while maintaining bearing lubrication.

Usage Guideline:

Required on all units when using MotorMaster®

### 2. Compressor Start Assist - Capacitor and Relay

Start capacitor and relay gives a "hard" boost to compressor motor at each start up.

Usage Guideline:

Required for single-phase scroll compressors in the following applications:

Long line

Low-ambient cooling

Suggested for all compressors in areas with a history of low voltage problems.

### 3. Compressor Start Assist — PTC Type

Solid state electrical device which gives a "soft" boost to the compressor at each start-up.

Usage Guideline:

Suggested in installations with marginal power supply.

### 4. Crankcase Heater

An electric resistance heater which mounts to the base of the compressor to keep the lubricant warm during off cycles. Improves compressor lubrication on restart and minimizes the chance of liquid slugging.

Usage Guideline:

Required in Low-ambient cooling applications.

Required in long line applications.

Suggested in all commercial applications.

### 5. Cycle Protector

The cycle protector is designed to prevent compressor short cycling. This control provides an approximate 5-minute delay after power to the compressor has been interrupted for any reason, including power outage, protector control trip, thermostat jiggling, or normal cycling.

### 6. Evaporator Freeze Thermostat

An SPST temperature-actuated switch that stops unit operation when evaporator reaches freeze-up conditions.

Usage Guideline:

Required when Low-ambient kit has been added.

### 7. Low-Ambient Pressure Switch Kit

A long life pressure switch which is mounted to outdoor unit service valve. It is designed to cycle the outdoor fan motor in order to maintain head pressure within normal operating limits. The control will maintain working head pressure at low-ambient temperatures down to 0°F (-17.8°C) when properly installed.

Usage Guideline:

A Low-Ambient Pressure Switch must be used when cooling operation is at outdoor temperatures below 55°F (12.8°C) to a minimum of 0°F (-17.8°C).

Suggested for all commercial applications.

### 8. MotorMaster® Low-Ambient Controller

A fan-speed control device activated by a temperature sensor, designed to control condenser fan motor speed in response to the saturated, condensing temperature during operation in cooling mode only. For outdoor temperatures down to -20°F (-28.9°C), it maintains condensing temperature at 100°F ±10°F (37.8°C ± 6.5°C).

Usage Guideline:

A MotorMaster® Low Ambient Controller or Low-Ambient Pressure Switch must be used when cooling operation is used at outdoor temperatures below 55°F (12.8°C).

Suggested for all commercial applications.

## ACCESSORY DESCRIPTION AND USAGE (LISTED ALPHABETICALLY) (CONT)

### 9. Outdoor Air Temperature Sensor

Designed for use with Bryant Thermostats listed in this publication. This device enables the thermostat to display the outdoor temperature. This device also

is required to enable special thermostat features such as auxiliary heat lock out.

Usage Guideline:

Suggested for all Bryant thermostats listed in this publication.

### 10. Support Feet

Four stick-on plastic feet that raise the unit 4 in. (101.6 mm) above the mounting pad. This allows sand, dirt, and other debris to be flushed from the unit base, minimizing corrosion.

Usage Guideline:

Suggested in the following applications:

Coastal installations.

Windy areas or where debris is normally circulating.

Rooftop installations.

For improved sound ratings.

### 11. Thermostatic Expansion Valve (TXV)

A modulating flow-C (N)ontrol valve which meters refrigerant liquid flow rate into the evaporator in response to the superheat of the refrigerant gas leaving the evaporator.

Kit includes valve, adapter tubes, and external equalizer tube. Hard shutoff types are available.

**NOTE:** When using a hard shutoff TXV with single phase reciprocating compressors, a Compressor Start Assist Capacitor and Relay is required.

Usage Guideline:

Accessory required to meet AHRI rating and system reliability, where indoor not equipped.

Hard shutoff TXV or LLS required in air conditioner long line applications.

Required for use on all zoning systems.

### 12. Time-Delay Relay

An SPST delay relay which briefly continues operation of indoor blower motor to provide additional cooling after the compressor cycles off.

**NOTE:** Most indoor unit controls include this feature. For those that do not, use the guideline below.

Usage Guideline:

Accessory required to meet AHRI rating, where indoor not equipped.

### 13. Winter Start Control

This control is designed to alleviate nuisance opening of the low-pressure switch by bypassing it for the first 3 minutes of operation.

# ELECTRICAL DATA

UNIT SIZE - SERIES (VOLTAGE)	V/PH	OPER VOLTS*		COMPR		FAN FLA	MCA	MIN WIRE SIZE†	MIN WIRE SIZE†	MAX LENGTH ft (m)‡	MAX LENGTH ft (m)‡	MAX FUSE** or CKT BRK AMPS
		MAX	MIN.	LRA	RLA			60° C	75° C	60° C	75° C	
018-C (N)	208-230-1	253	197	48.0	9.0	0.5	11.7	14	14	67 (20.4)	64 (19.5)	15
024-C (N)				58.3	13.5	0.75	17.6	14	14	45 (13.7)	43 (13.1)	25
030-C (N)				64.0	12.8	0.75	16.8	14	14	47 (14.3)	45 (13.7)	25
036-C (N)				77.0	14.1	1.4	19.0	12	12	66 (20.1)	63 (19.2)	30
042-C (N)				112.0	17.9	1.2	23.6	12	12	53 (16.2)	51 (15.5)	40
048-C (N)				109.0	19.9	1.2	26.2	10	10	76 (23.2)	73 (22.3)	40
060-C (N)	208/230-3	253	197	134.0	26.4	1.2	34.2	8	8	91 (27.7)	86 (26.2)	50
030-C (P)				58.0	10.1	0.75	13.4	14	14	68 (20.7)	65 (19.8)	20
036-C (P)				71.0	9.2	1.4	12.9	14	14	70 (21.3)	67 (20.4)	20
042-C (P)				88.0	13.5	1.2	18.1	12	12	80 (24.4)	76 (23.2)	30
048-C (P)				83.1	13.6	1.2	18.2	12	12	79 (24.1)	76 (23.2)	30
060-C (P)				110.0	17.7	1.2	23.3	12	12	62 (18.9)	59 (18.0)	40
036-C (E)	460-3	506	414	38.0	5.6	0.7	7.8	14	14	233 (71.0)	222 (67.7)	15
042-C (E)				44.0	6.0	0.53	8.0	14	14	227 (69.2)	216 (65.8)	15
048-C (E)				41.0	6.1	0.6	8.2	14	14	222 (67.7)	211 (64.3)	15
060-C (E)				52.0	7.8	0.6	10.3	14	14	177 (54.0)	168 (51.2)	15

\* Permissible limits of the voltage range at which the unit will operate satisfactorily

† If wire is applied at ambient greater than 30° C (86° F), consult table 310-16 of the NEC (ANSI/NFPA 70). The ampacity of non-metallic-sheathed cable (NM), trade name ROMEX, shall be that of 60° C (140° F) conditions, per the NEC (ANSI/NFPA 70) Article 336-26. If other than uncoated (no-plated), 60° or 75° C (140° or 167° C) insulation, copper wire (solid wire for 10 AWG or smaller, stranded wire for larger than 10 AWG) is used, consult applicable tables of the NEC (ANSI/NFPA 70).

‡ Length shown is as measured 1 way along wire path between unit and service panel for voltage drop not to exceed 2%.

\*\* Time-Delay fuse.

FLA - Full Load Amps

LRA - Locked Rotor Amps

MCA - Minimum Circuit Amps

RLA - Rated Load Amps

NOTE: Control circuit is 24-V on all units and requires external power source. Copper wire must be used from service disconnect to unit. All motors/compressors contain internal overload protection.

Complies with 2001 requirements of ASHRAE Standards 90.1

## A-WEIGHTED SOUND POWER (dBA)

UNIT SIZE - SERIES	STANDARD RATING (dBA)	TYPICAL OCTAVE BAND SPECTRUM (dBA, without tone adjustment)						
		125	250	500	1000	2000	4000	8000
018-C	74	50.0	61.5	64.5	66.5	64.0	61.0	54.5
024-C	75	55.5	63.5	67.0	70.0	66.0	63.5	57.0
030-C	74	52.5	63.0	68.5	70.0	66.5	62.5	56.5
036-C	75	57.0	65.0	67.5	69.5	67.5	65.0	60.0
042-C	74	55.0	64.0	68.0	68.5	64.5	60.0	54.0
048-C	74	52.5	62.5	65.5	69.0	63.5	60.5	56.0
060-C	74	54.0	59.0	65.5	67.5	63.5	60.0	55.5

NOTE: Tested in accordance with AHRI Standard 270-95 (not listed in AHRI).


## CHARGING SUBCOOLING (TXV-TYPE EXPANSION DEVICE)

UNIT SIZE - SERIES	REQUIRED SUBCOOLING °F (°C)
018-C	8 (4.4)
024-C	13 (7.2)
030-C	16 (8.9)
036-C	16 (8.9)
042-C	10 (5.6)
048-C	17 (9.4)
060-C	11 (6.1)

# DIMENSIONS - ENGLISH

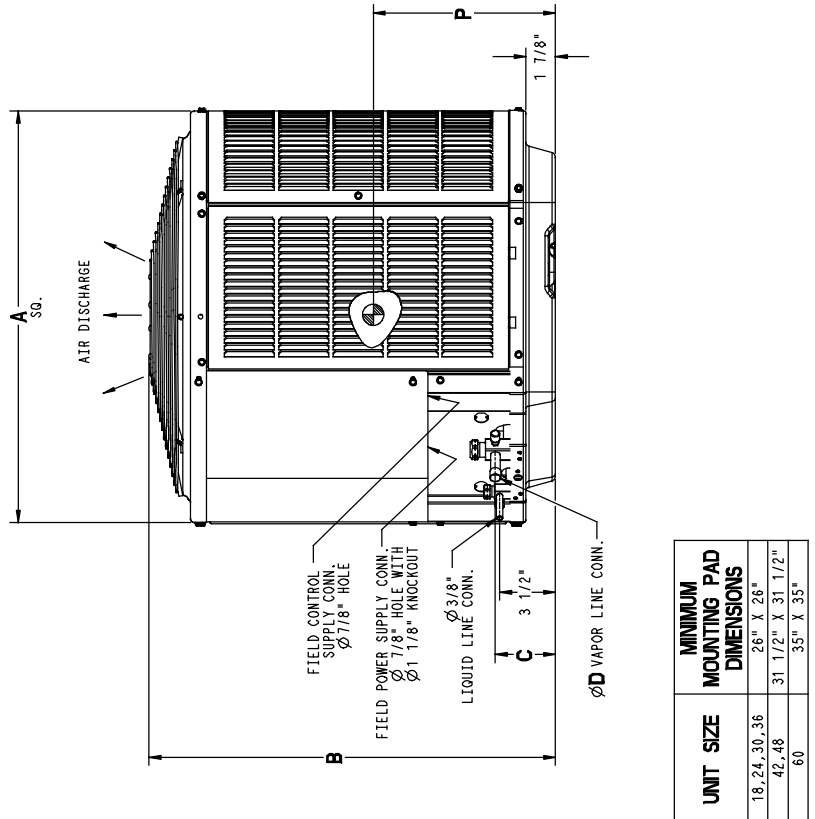
UNIT	SERIES	ELECTRICAL CHARACTERISTICS	A	B	C	D	E	F	G	K	L	M	N	P	OPERATING WEIGHT (lbs)	SHIPPING WEIGHT (lbs)	SHIPPING DIMENSIONS (L x W x H)
123A018	C	X 0 0	25 3/4"	25"	3 3/4"	5/8"	4 7/16"	21 1/4"	9 1/8"	2 13/16"	1/2"	12 1/2"	12 3/8"	12 3/8"	130	151	26 7/8" X 30 1/16" X 32 9/16"
123A024	C	X 0 0	25 3/4"	25"	3 3/4"	5/8"	4 7/16"	21 1/4"	9 1/8"	2 13/16"	1/2"	13"	11 7/8"	12 3/8"	130	151	26 7/8" X 30 1/16" X 32 9/16"
123A030	B,C	X 0 X	25 3/4"	28 7/16"	3 3/4"	3/4"	4 7/16"	21 1/4"	9 1/8"	2 13/16"	1/2"	12 1/4"	13 3/4"	12 3/4"	142	164	26 7/8" X 30 1/16" X 32 9/16"
123A036	B,C	X 0 X	25 3/4"	35 1/4"	3 3/4"	3/4"	4 7/16"	21 1/4"	9 1/8"	2 13/16"	1/2"	12"	13"	14 3/4"	161	184	26 7/8" X 30 1/16" X 39 3/8"
123A042	B,C	X 0 X	31 3/16"	32 5/16"	3 7/8"	7/8"	6 9/16"	24 11/16"	9 1/8"	2 15/16"	5/8"	15 3/4"	16 1/4"	13 3/4"	205	233	32 3/8" X 35 1/2" X 35 15/16"
123A048	B,C	X 0 X	31 3/16"	39 1/8"	3 7/8"	7/8"	6 9/16"	24 11/16"	9 1/8"	2 15/16"	5/8"	14 1/4"	17 1/4"	19 1/4"	228	256	32 3/8" X 35 1/2" X 42 3/4"
123A060	B,C	X 0 X	35"	39 1/8"	3 7/8"	7/8"	6 9/16"	28 1/16"	9 1/8"	2 15/16"	5/8"	20 5/8"	19 3/4"	18 3/8"	251	285	36 1/8" X 39 5/16" X 42 3/4"

NOTES:

1. ALLOW 30" CLEARANCE TO SERVICE SIDE OF UNIT, 48" ABOVE UNIT, 6" ON ONE SIDE, 12" ON REMAINING SIDE, AND 24" BETWEEN UNITS FOR PROPER AIRFLOW.
2. MINIMUM OUTDOOR OPERATING AMBIENT IN COOLING MODE IS 55° F, MAX. 125° F.
3. SERIES DESIGNATION IS THE 10TH POSITION OF THE UNIT MODEL NUMBER.
4. CENTER OF GRAVITY 
5. ALL DIMENSIONS ARE IN "INCHES" UNLESS NOTED.

X = YES  
O = NO

208-230-160	208/230-3-60	460-3-60
-------------	--------------	----------



UNIT SIZE	MINIMUM MOUNTING PAD DIMENSIONS
18, 24, 30, 36	26" X 26"
42, 48	31 1/2" X 31 1/2"
60	35" X 35"




# DIMENSIONS - SI

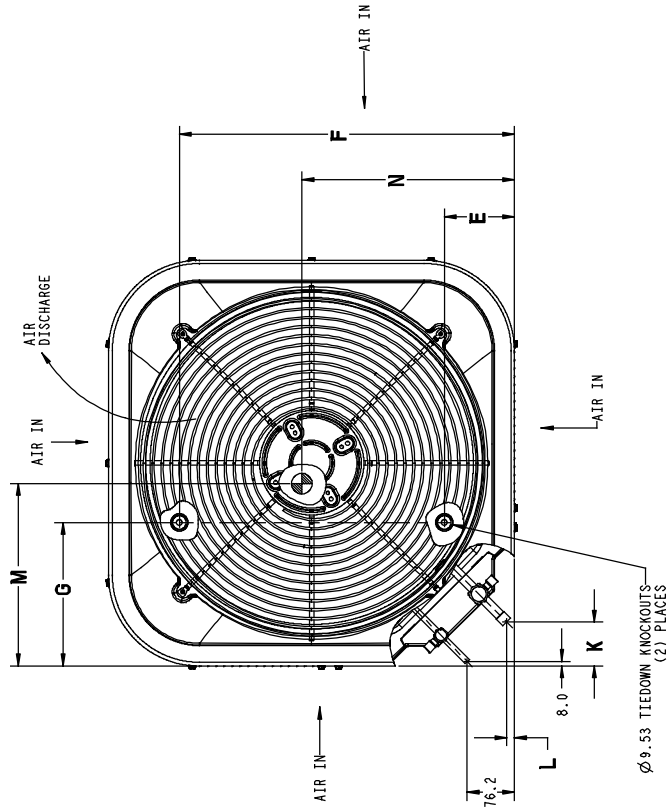
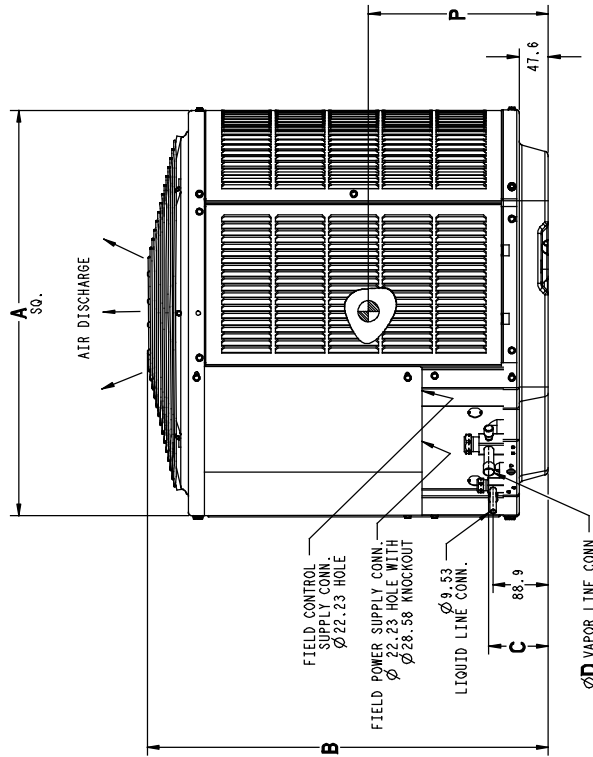
UNIT	SERIES	ELECTRICAL CHARACTERISTICS	A	B	C	D	E	F	G	K	L	M	N	P	OPERATING WEIGHT (Kgs)	SHIPPING WEIGHT (Kgs)	SHIPPING DIMENSIONS (L x W x H)
123A018	C	X 0 0 0	654.0	635.0	95.2	15.9	112.7	539.8	231.8	71.4	12.7	317.5	314.3	314.3	59.0	68.5	682.6 X 763.6 X 827.1
123A024	C	X 0 0 0	654.0	635.0	95.2	15.9	112.7	539.8	231.8	71.4	12.7	330.2	307.6	314.3	59.0	68.5	682.6 X 763.6 X 827.1
123A030	B,C	X 0 X 0	654.0	722.3	95.2	19.0	112.7	539.8	231.8	71.4	12.7	311.2	349.2	323.8	64.4	74.4	682.6 X 763.6 X 827.1
123A036	B,C	X 0 X X	654.0	895.4	95.2	19.0	112.7	539.8	231.8	71.4	12.7	304.8	330.2	374.6	73.0	83.5	682.6 X 763.6 X 1000.1
123A042	B,C	X 0 X X	792.2	820.8	98.4	22.2	166.7	627.1	231.8	74.6	15.9	400.0	412.8	349.2	93.0	105.7	822.3 X 901.7 X 912.8
123A048	B,C	X 0 X X	792.2	993.8	98.4	22.2	166.7	627.1	231.8	74.6	15.9	362.0	438.2	489.0	116.1	129.3	822.3 X 901.7 X 1085.8
123A060	B,C	X 0 X X	889.0	993.8	98.4	22.2	166.7	722.3	231.8	74.6	15.9	523.9	501.6	466.7	113.8	129.3	917.6 X 998.6 X 1085.8

X = YES  
O = NO

208-230-160	208/230-3-60	460-3-60
-------------	--------------	----------

### NOTES:

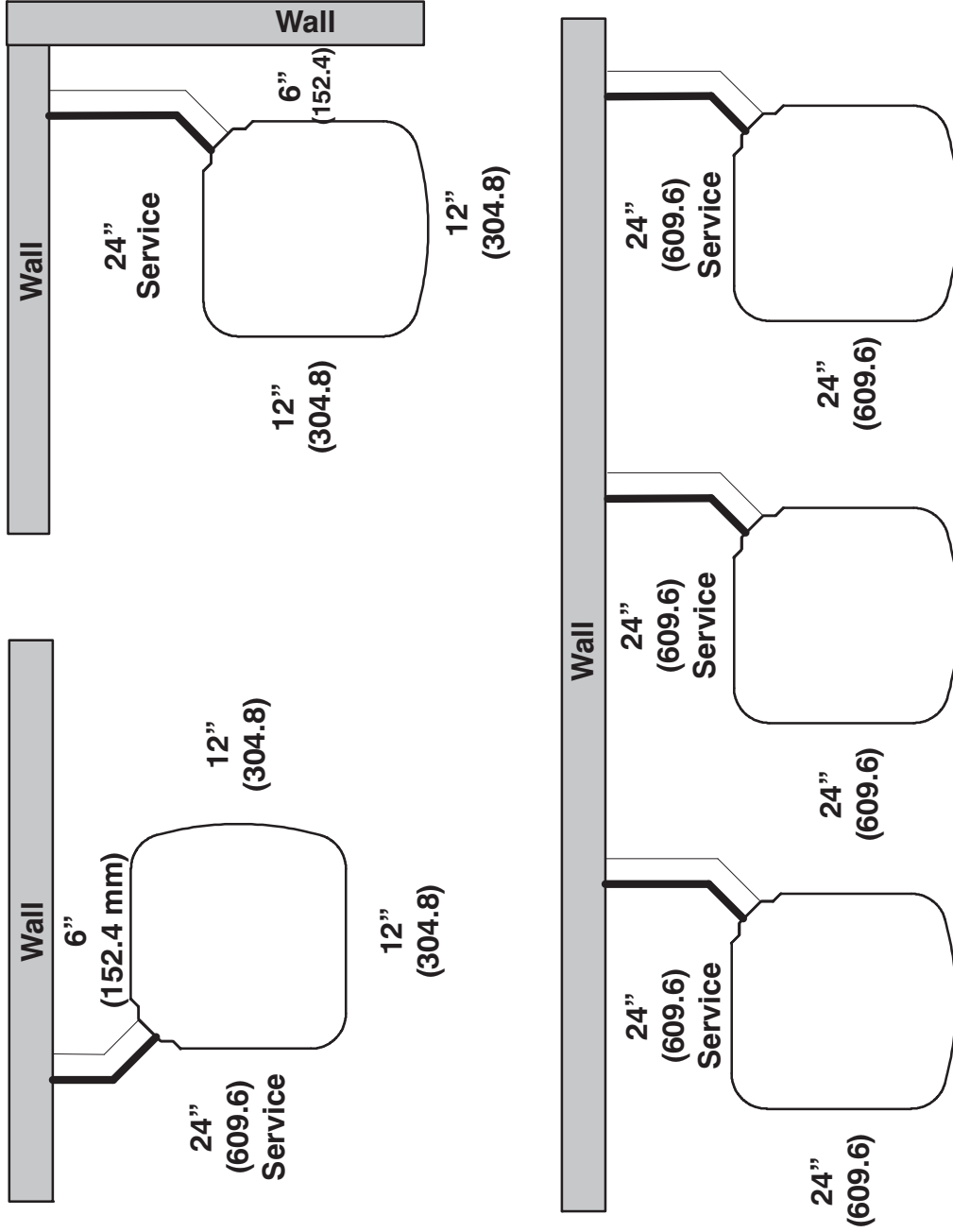
- ALLOW 762.0 CLEARANCE TO SERVICE SIDE OF UNIT. 1219.2 ABOVE UNIT, 152.0 ON SERVICE SIDE, 304.8 ON REMAINING SIDE AND 609.6 BETWEEN UNITS FOR PROPER AIRFLOW.
- MINIMUM OUTDOOR OPERATING AMBIENT IN COOLING MODE IS 13°C, MAX. 52°C.
- SERIES DESIGNATION IS THE 10TH POSITION OF THE UNIT MODEL NUMBER.
- CENTER OF GRAVITY 
- ALL DIMENSIONS ARE IN "MM" UNLESS NOTED.



UNIT SIZE	MINIMUM MOUNTING PAD DIMENSIONS
18, 24, 30, 36	660.4 X 660.4
42, 48	800.1 X 800.1
60	889.0 X 889.0

# CLEARANCES

Clearances (various examples)



Note: Numbers in ( ) = mm

# COMBINATION RATINGS

AHRI Ref. No.	Model Number	Indoor Model	Furnace Model	Capacity	EER	SEER	Phase
3045607	123ANA018-C	*CAP**1814A**+TDR		17500	11.00	13.00	1
3045642	123ANA018-C	CAP**1814A**	313*AV024045	17500	12.20	14.50	1
3045608	123ANA018-C	CAP**1814A**	315(A,J)AV036070	17200	11.70	14.50	1
3045643	123ANA018-C	CAP**2414A**	313*AV024045	17800	12.20	14.50	1
3045610	123ANA018-C	CAP**2414A**	315(A,J)AV036070	17500	11.70	14.50	1
3045609	123ANA018-C	CAP**2414A**+TDR		17700	11.00	13.00	1
3045613	123ANA018-C	CAP**2417A**	315(A,J)AV048090	17600	11.70	14.50	1
3101634	123ANA018-C	CAP**2417A**	353AAV036040	18000	12.50	15.00	1
3101635	123ANA018-C	CAP**2417A**	353AAV036060	17900	12.50	15.00	1
3045612	123ANA018-C	CAP**2417A**	355(A,C)AV042060	17500	11.70	14.50	1
3045611	123ANA018-C	CAP**2417A**+TDR		17700	11.00	13.00	1
3045627	123ANA018-C	CNPF*2418A**+TDR		17500	11.00	13.00	1
3045646	123ANA018-C	CNPH*2417A**	313*AV024045	17800	12.20	14.50	1
3045625	123ANA018-C	CNPH*2417A**	315(A,J)AV036070	17300	11.70	14.50	1
3045626	123ANA018-C	CNPH*2417A**	315(A,J)AV048090	17400	11.70	14.50	1
3101638	123ANA018-C	CNPH*2417A**	353AAV036040	17900	12.50	15.00	1
3101639	123ANA018-C	CNPH*2417A**	353AAV036060	17700	12.50	15.00	1
3045622	123ANA018-C	CNPH*2417A**	355(A,C)AV042040	17300	11.70	14.50	1
3045623	123ANA018-C	CNPH*2417A**	355(A,C)AV042060	17300	11.70	14.50	1
3045624	123ANA018-C	CNPH*2417A**	355(A,C)AV042080	17400	11.70	14.50	1
3045621	123ANA018-C	CNPH*2417A**+TDR		17500	11.00	13.00	1
3045644	123ANA018-C	CNPV*1814A**	313*AV024045	17500	12.20	14.50	1
3045615	123ANA018-C	CNPV*1814A**	315(A,J)AV036070	17200	11.70	14.50	1
3045614	123ANA018-C	CNPV*1814A**+TDR		17400	11.00	13.00	1
3045645	123ANA018-C	CNPV*2414A**	313*AV024045	17800	12.20	14.50	1
3045617	123ANA018-C	CNPV*2414A**	315(A,J)AV036070	17300	11.70	14.50	1
3045616	123ANA018-C	CNPV*2414A**+TDR		17500	11.00	13.00	1
3045620	123ANA018-C	CNPV*2417A**	315(A,J)AV048090	17400	11.70	14.50	1
3101636	123ANA018-C	CNPV*2417A**	353AAV036040	17900	12.50	15.00	1
3101637	123ANA018-C	CNPV*2417A**	353AAV036060	17700	12.50	15.00	1
3045619	123ANA018-C	CNPV*2417A**	355(A,C)AV042060	17300	11.70	14.50	1
3045618	123ANA018-C	CNPV*2417A**+TDR		17500	11.00	13.00	1
3045647	123ANA018-C	CSPH*2412A**	313*AV024045	17800	12.20	14.50	1
3045632	123ANA018-C	CSPH*2412A**	315(A,J)AV036070	16600	11.70	14.50	1
3045633	123ANA018-C	CSPH*2412A**	315(A,J)AV048090	16700	11.70	14.50	1
3101640	123ANA018-C	CSPH*2412A**	353AAV036040	18000	12.50	15.00	1
3101641	123ANA018-C	CSPH*2412A**	353AAV036060	17700	12.20	14.50	1
3045629	123ANA018-C	CSPH*2412A**	355(A,C)AV042040	16700	11.70	14.50	1
3045630	123ANA018-C	CSPH*2412A**	355(A,C)AV042060	16700	11.70	14.50	1
3045631	123ANA018-C	CSPH*2412A**	355(A,C)AV042080	16700	11.70	14.50	1
3045628	123ANA018-C	CSPH*2412A**+TDR		17000	11.00	13.00	1
3045638	123ANA018-C	FE4ANF002+UI		17800	12.00	15.00	1
3045639	123ANA018-C	FF1ENP018		17400	11.00	13.00	1
3045640	123ANA018-C	FF1ENP024		17600	11.00	13.20	1
3045641	123ANA018-C	FV4BNF002		17800	12.00	15.00	1
3045636	123ANA018-C	FX4CNF018		17600	11.70	14.50	1
3045637	123ANA018-C	FX4CNF024		17900	11.70	14.50	1
3045634	123ANA018-C	FY4ANF018		17400	11.00	13.00	1
3045635	123ANA018-C	FY4ANF024		17500	11.00	13.00	1
3045648	123ANA024-C	*CAP**2414A**+TDR		23000	11.00	13.00	1
3045705	123ANA024-C	CAP**2414A**	313*AV024045	22600	12.00	14.00	1
3045649	123ANA024-C	CAP**2414A**	315(A,J)AV036070	22600	11.50	14.00	1
3045652	123ANA024-C	CAP**2417A**	315(A,J)AV048090	22600	11.70	14.50	1
3101642	123ANA024-C	CAP**2417A**	353AAV036040	23000	12.20	14.50	1
3101643	123ANA024-C	CAP**2417A**	353AAV036060	23000	12.20	14.50	1
3101644	123ANA024-C	CAP**2417A**	353AAV036080	22800	12.20	14.50	1
3045651	123ANA024-C	CAP**2417A**	355(A,C)AV042060	22600	11.50	14.00	1
3045704	123ANA024-C	CAP**2417A**	355(A,C)AV042080	22400	11.50	14.00	1
3045650	123ANA024-C	CAP**2417A**+TDR		22800	11.00	13.00	1
3045706	123ANA024-C	CAP**3014A**	313*AV024045	23000	12.00	14.00	1
3045654	123ANA024-C	CAP**3014A**	315(A,J)AV036070	22800	11.50	14.00	1
3045653	123ANA024-C	CAP**3014A**+TDR		23000	11.00	13.00	1
3045657	123ANA024-C	CAP**3017A**	315(A,J)AV048090	22800	11.70	14.50	1
3101645	123ANA024-C	CAP**3017A**	353AAV036040	23200	12.20	14.50	1
3101646	123ANA024-C	CAP**3017A**	353AAV036060	23400	12.20	14.50	1
3101647	123ANA024-C	CAP**3017A**	353AAV036080	23200	12.20	14.50	1
3045656	123ANA024-C	CAP**3017A**	355(A,C)AV042060	22800	11.70	14.50	1
3045655	123ANA024-C	CAP**3017A**+TDR		23000	11.00	13.00	1
3045674	123ANA024-C	CNPF*2418A**+TDR		22600	11.00	13.00	1
3045709	123ANA024-C	CNPH*2417A**	313*AV024045	22600	12.00	14.00	1
3045670	123ANA024-C	CNPH*2417A**	315(A,J)AV036070	22400	11.50	14.00	1
3101654	123ANA024-C	CNPH*2417A**	353AAV036040	22800	12.00	14.00	1
3101655	123ANA024-C	CNPH*2417A**	353AAV036060	22800	12.00	14.00	1
3101656	123ANA024-C	CNPH*2417A**	353AAV036080	22800	12.00	14.00	1
3045669	123ANA024-C	CNPH*2417A**	355(A,C)AV042040	22400	11.50	14.00	1
3045668	123ANA024-C	CNPH*2417A**+TDR		22600	11.00	13.00	1
3045710	123ANA024-C	CNPH*3017A**	313*AV024045	23000	12.00	14.00	1
3045673	123ANA024-C	CNPH*3017A**	315(A,J)AV036070	22600	11.70	14.50	1
3101657	123ANA024-C	CNPH*3017A**	353AAV036040	23200	12.20	14.50	1
3101658	123ANA024-C	CNPH*3017A**	353AAV036060	23400	12.20	14.50	1
3101659	123ANA024-C	CNPH*3017A**	353AAV036080	23200	12.20	14.50	1
3045672	123ANA024-C	CNPH*3017A**	355(A,C)AV042040	22600	11.70	14.50	1
3045671	123ANA024-C	CNPH*3017A**+TDR		22800	11.00	13.00	1
3045707	123ANA024-C	CNPV*2414A**	313*AV024045	22600	12.00	14.00	1
3045659	123ANA024-C	CNPV*2414A**	315(A,J)AV036070	22400	11.50	14.00	1
3045658	123ANA024-C	CNPV*2414A**+TDR		22600	11.00	13.00	1
3045662	123ANA024-C	CNPV*2417A**	315(A,J)AV048090	22400	11.50	14.00	1
3101648	123ANA024-C	CNPV*2417A**	353AAV036040	22800	12.00	14.00	1

See notes on page 27

# COMBINATION RATINGS CONTINUED

AHRI Ref. No.	Model Number	Indoor Model	Furnace Model	Capacity	EER	SEER	Phase
3101649	123ANA024-C	CNPV*2417A**	353AAV036060	22800	12.00	14.00	1
3101650	123ANA024-C	CNPV*2417A**	353AAV036080	22800	12.00	14.00	1
3045661	123ANA024-C	CNPV*2417A**	355(A,C)AV042060	22400	11.50	14.00	1
3045660	123ANA024-C	CNPV*2417A**+TDR		22600	11.00	13.00	1
3045708	123ANA024-C	CNPV*3014A**	313*AV024045	22800	12.00	14.00	1
3045664	123ANA024-C	CNPV*3014A**	315(A,J)AV036070	22600	11.15	14.00	1
3045663	123ANA024-C	CNPV*3014A**+TDR		22800	11.00	13.00	1
3045667	123ANA024-C	CNPV*3017A**	315(A,J)AV048090	22600	11.70	14.50	1
3101651	123ANA024-C	CNPV*3017A**	353AAV036040	23200	12.20	14.50	1
3101652	123ANA024-C	CNPV*3017A**	353AAV036060	23400	12.20	14.50	1
3101653	123ANA024-C	CNPV*3017A**	353AAV036080	23200	12.20	14.50	1
3045666	123ANA024-C	CNPV*3017A**	355(A,C)AV042060	22600	11.70	14.50	1
3045665	123ANA024-C	CNPV*3017A**+TDR		22800	11.00	13.00	1
3045711	123ANA024-C	CSPH*2412A**	313*AV024045	22800	12.00	14.00	1
3045678	123ANA024-C	CSPH*2412A**	315(A,J)AV036070	21800	11.50	14.00	1
3045679	123ANA024-C	CSPH*2412A**	315(A,J)AV048090	21800	11.70	14.50	1
3045680	123ANA024-C	CSPH*2412A**	315(A,J)AV060110	21800	11.50	14.00	1
3045681	123ANA024-C	CSPH*2412A**	315(A,J)AV066135	21800	11.50	14.00	1
3101660	123ANA024-C	CSPH*2412A**	353AAV036040	23000	12.20	14.50	1
3101661	123ANA024-C	CSPH*2412A**	353AAV036060	23000	12.20	14.50	1
3101662	123ANA024-C	CSPH*2412A**	353AAV036080	22800	12.20	14.50	1
3045676	123ANA024-C	CSPH*2412A**	355(A,C)AV042040	21800	11.50	14.00	1
3045677	123ANA024-C	CSPH*2412A**	355(A,C)AV042060	21800	11.50	14.00	1
3045675	123ANA024-C	CSPH*2412A**+TDR		22000	11.00	13.00	1
3045712	123ANA024-C	CSPH*3012A**	313*AV024045	23000	12.00	14.00	1
3045689	123ANA024-C	CSPH*3012A**	315(A,J)AV036070	21800	11.70	14.50	1
3045690	123ANA024-C	CSPH*3012A**	315(A,J)AV048090	22000	11.70	14.50	1
3045691	123ANA024-C	CSPH*3012A**	315(A,J)AV060110	22000	11.70	14.50	1
3045692	123ANA024-C	CSPH*3012A**	315(A,J)AV066135	22000	11.70	14.50	1
3045693	123ANA024-C	CSPH*3012A**	315(A,J)AV066155	22000	11.70	14.50	1
3101663	123ANA024-C	CSPH*3012A**	353AAV036040	23200	12.20	14.50	1
3101664	123ANA024-C	CSPH*3012A**	353AAV036060	23200	12.20	14.50	1
3101665	123ANA024-C	CSPH*3012A**	353AAV036080	23200	12.20	14.50	1
3045683	123ANA024-C	CSPH*3012A**	355(A,C)AV042040	22000	11.70	14.50	1
3045684	123ANA024-C	CSPH*3012A**	355(A,C)AV042060	21800	11.70	14.50	1
3045685	123ANA024-C	CSPH*3012A**	355(A,C)AV042080	22000	11.70	14.50	1
3045686	123ANA024-C	CSPH*3012A**	355(A,C)AV060080	21800	11.70	14.50	1
3045687	123ANA024-C	CSPH*3012A**	355(A,C)AV060100	22000	11.70	14.50	1
3045688	123ANA024-C	CSPH*3012A**	355(A,C)AV060120	21800	11.70	14.50	1
3045682	123ANA024-C	CSPH*3012A**+TDR		22000	11.00	13.00	1
3045699	123ANA024-C	FE4AN(B,F)003+UI		23000	11.70	14.50	1
3045698	123ANA024-C	FE4ANF002+UI		23000	11.70	14.50	1
3045700	123ANA024-C	FF1ENP024		22600	11.00	13.00	1
3045701	123ANA024-C	FF1ENP030		22600	11.00	13.00	1
3045703	123ANA024-C	FV4BN(B,F)003		23000	12.00	15.00	1
3045702	123ANA024-C	FV4BNF002		23000	11.70	14.50	1
3045696	123ANA024-C	FX4CNF024		23000	11.50	14.00	1
3045697	123ANA024-C	FX4CNF030		23200	11.50	14.00	1
3045694	123ANA024-C	FY4ANF024		22600	11.00	13.00	1
3045695	123ANA024-C	FY4ANF030		22800	11.00	13.20	1
3045713	123ANA030-C	*CAP**3014A**+TDR		28000	11.00	13.00	1
3045714	123ANA030-C	CAP**3014A**	315(A,J)AV036070	27600	11.20	13.50	1
3045762	123ANA030-C	CAP**3014A**	355(A,C)AV042080	27400	11.20	13.50	1
3045765	123ANA030-C	CAP**3017A**	313*AV048070	27800	11.70	13.50	1
3045717	123ANA030-C	CAP**3017A**	315(A,J)AV048090	27600	11.50	14.00	1
3101666	123ANA030-C	CAP**3017A**	353AAV036040	28000	12.00	14.00	1
3101667	123ANA030-C	CAP**3017A**	353AAV036060	28000	12.00	14.00	1
3101668	123ANA030-C	CAP**3017A**	353AAV036080	28000	12.00	14.00	1
3101669	123ANA030-C	CAP**3017A**	353AAV048080	28000	12.00	14.00	1
3045716	123ANA030-C	CAP**3017A**	355(A,C)AV042060	27600	11.50	14.00	1
3045715	123ANA030-C	CAP**3017A**+TDR		28000	11.00	13.00	1
3045719	123ANA030-C	CAP**3614A**	315(A,J)AV036070	27600	11.50	14.00	1
3045718	123ANA030-C	CAP**3614A**+TDR		28000	11.00	13.00	1
3045766	123ANA030-C	CAP**3617A**	313*AV048070	28000	11.70	14.00	1
3045722	123ANA030-C	CAP**3617A**	315(A,J)AV048090	27800	11.50	14.00	1
3101670	123ANA030-C	CAP**3617A**	353AAV036040	28000	12.20	14.50	1
3101671	123ANA030-C	CAP**3617A**	353AAV036060	28000	12.00	14.00	1
3101672	123ANA030-C	CAP**3617A**	353AAV036080	28000	12.20	14.50	1
3101673	123ANA030-C	CAP**3617A**	353AAV048080	28000	12.00	14.00	1
3045721	123ANA030-C	CAP**3617A**	355(A,C)AV042060	27600	11.50	14.00	1
3045720	123ANA030-C	CAP**3617A**+TDR		28000	11.00	13.00	1
3045767	123ANA030-C	CAP**3621A**	313*AV048090	28200	12.00	14.00	1
3045725	123ANA030-C	CAP**3621A**	315(A,J)AV060110	27800	11.50	14.00	1
3045724	123ANA030-C	CAP**3621A**	355(A,C)AV042080	27800	11.50	14.00	1
3045723	123ANA030-C	CAP**3621A**+TDR		28000	11.00	13.00	1
3045743	123ANA030-C	CNPF*3618A**+TDR		27800	11.00	13.00	1
3045771	123ANA030-C	CNPH*3017A**	313*AV048070	27800	11.70	13.50	1
3045772	123ANA030-C	CNPH*3017A**	313*AV048090	27800	12.00	14.00	1
3045739	123ANA030-C	CNPH*3017A**	315(A,J)AV036070	27400	11.50	14.00	1
3101682	123ANA030-C	CNPH*3017A**	353AAV036040	28000	12.00	14.00	1
3101683	123ANA030-C	CNPH*3017A**	353AAV036060	28000	12.00	14.00	1
3101684	123ANA030-C	CNPH*3017A**	353AAV036080	28000	12.00	14.00	1
3101685	123ANA030-C	CNPH*3017A**	353AAV048080	28000	12.00	14.00	1
3045738	123ANA030-C	CNPH*3017A**	355(A,C)AV042040	27400	11.20	13.50	1
3045763	123ANA030-C	CNPH*3017A**	355(A,C)AV042080	27600	11.50	14.00	1
3045737	123ANA030-C	CNPH*3017A**+TDR		27800	11.00	13.00	1
3045773	123ANA030-C	CNPH*3617A**	313*AV048070	27800	11.70	13.00	1
3045774	123ANA030-C	CNPH*3617A**	313*AV048090	27800	12.00	14.00	1

See notes on page 27

# COMBINATION RATINGS CONTINUED

AHRI Ref. No.	Model Number	Indoor Model	Furnace Model	Capacity	EER	SEER	Phase
3045742	123ANA030-C	CNPH*3617A**	315(A,J)AV036070	27400	11.50	14.00	1
3101686	123ANA030-C	CNPH*3617A**	353AAV036040	28000	12.00	14.00	1
3101687	123ANA030-C	CNPH*3617A**	353AAV036060	28000	12.00	14.00	1
3101688	123ANA030-C	CNPH*3617A**	353AAV036080	28000	12.00	14.00	1
3101689	123ANA030-C	CNPH*3617A**	353AAV048080	28000	12.00	14.00	1
3045741	123ANA030-C	CNPH*3617A**	355(A,C)AV042040	27400	11.20	13.50	1
3045740	123ANA030-C	CNPH*3617A**+TDR		27800	11.00	13.00	1
3045727	123ANA030-C	CNPV*3014A**	315(A,J)AV036070	27400	11.20	13.50	1
3045726	123ANA030-C	CNPV*3014A**+TDR		27800	11.00	13.00	1
3045768	123ANA030-C	CNPV*3017A**	313*AV048070	27800	11.70	13.50	1
3045730	123ANA030-C	CNPV*3017A**	315(A,J)AV048090	27400	11.50	14.00	1
3101674	123ANA030-C	CNPV*3017A**	353AAV036040	28000	12.00	14.00	1
3101675	123ANA030-C	CNPV*3017A**	353AAV036060	28000	12.00	14.00	1
3101676	123ANA030-C	CNPV*3017A**	353AAV036080	28000	12.00	14.00	1
3101677	123ANA030-C	CNPV*3017A**	353AAV048080	28000	12.00	14.00	1
3045729	123ANA030-C	CNPV*3017A**	355(A,C)AV042060	27400	11.50	14.00	1
3045728	123ANA030-C	CNPV*3017A**+TDR		27800	11.00	13.00	1
3045769	123ANA030-C	CNPV*3617A**	313*AV048070	27800	11.70	13.50	1
3045733	123ANA030-C	CNPV*3617A**	315(A,J)AV048090	27400	11.50	14.00	1
3101678	123ANA030-C	CNPV*3617A**	353AAV036040	28000	12.00	14.00	1
3101679	123ANA030-C	CNPV*3617A**	353AAV036060	28000	12.00	14.00	1
3101680	123ANA030-C	CNPV*3617A**	353AAV036080	28000	12.00	14.00	1
3101681	123ANA030-C	CNPV*3617A**	353AAV048080	28000	12.00	14.00	1
3045732	123ANA030-C	CNPV*3617A**	355(A,C)AV042060	27400	11.50	14.00	1
3045731	123ANA030-C	CNPV*3617A**+TDR		27800	11.00	13.00	1
3045770	123ANA030-C	CNPV*3621A**	313*AV048090	27800	12.00	14.00	1
3045736	123ANA030-C	CNPV*3621A**	315(A,J)AV060110	27600	11.50	14.00	1
3045735	123ANA030-C	CNPV*3621A**	355(A,C)AV042080	27400	11.50	14.00	1
3045764	123ANA030-C	CNPV*3621A**	355(A,C)AV060080	27600	11.70	14.00	1
3045734	123ANA030-C	CNPV*3621A**+TDR		27800	11.00	13.00	1
3045775	123ANA030-C	CSPH*3012A**	313*AV048070	27800	11.70	13.50	1
3045776	123ANA030-C	CSPH*3012A**	313*AV048090	27800	11.70	14.00	1
3045746	123ANA030-C	CSPH*3012A**	315(A,J)AV036070	26800	11.50	14.00	1
3101690	123ANA030-C	CSPH*3012A**	353AAV036040	28000	12.00	14.00	1
3101691	123ANA030-C	CSPH*3012A**	353AAV036060	28000	12.00	14.00	1
3101692	123ANA030-C	CSPH*3012A**	353AAV036080	28000	12.00	14.00	1
3101693	123ANA030-C	CSPH*3012A**	353AAV048080	28000	12.00	14.00	1
3045745	123ANA030-C	CSPH*3012A**	355(A,C)AV042040	26800	11.20	13.50	1
3045744	123ANA030-C	CSPH*3012A**+TDR		27000	11.00	13.00	1
3045777	123ANA030-C	CSPH*3612A**	313*AV048070	28000	12.00	14.00	1
3045778	123ANA030-C	CSPH*3612A**	313*AV048090	28200	12.00	14.00	1
3045749	123ANA030-C	CSPH*3612A**	315(A,J)AV036070	27200	11.50	14.00	1
3101694	123ANA030-C	CSPH*3612A**	353AAV036040	28000	12.20	14.50	1
3101695	123ANA030-C	CSPH*3612A**	353AAV036060	28000	12.00	14.00	1
3101696	123ANA030-C	CSPH*3612A**	353AAV036080	28000	12.20	14.50	1
3101697	123ANA030-C	CSPH*3612A**	353AAV048080	28000	12.00	14.00	1
3045748	123ANA030-C	CSPH*3612A**	355(A,C)AV042040	27200	11.50	14.00	1
3045747	123ANA030-C	CSPH*3612A**+TDR		27400	11.00	13.20	1
3045755	123ANA030-C	FE4AN(B,F)003+UI		28000	11.70	14.50	1
3045756	123ANA030-C	FE4AN(B,F)005+UI		28800	12.00	15.00	1
3045754	123ANA030-C	FE4ANF002+UI		27800	11.50	14.00	1
3045757	123ANA030-C	FF1ENP030		27400	11.00	13.00	1
3045758	123ANA030-C	FF1ENP036		28000	11.00	13.20	1
3045760	123ANA030-C	FV4BN(B,F)003		28000	11.70	14.50	1
3045761	123ANA030-C	FV4BN(B,F)005		28800	12.00	15.00	1
3045759	123ANA030-C	FV4BNF002		27800	11.50	14.00	1
3045753	123ANA030-C	FX4CN(B,F)036		28200	11.50	14.00	1
3045752	123ANA030-C	FX4CNF030		28000	11.20	13.50	1
3045750	123ANA030-C	FY4ANF030		27600	11.00	13.00	1
3045751	123ANA030-C	FY4ANF036		27800	11.00	13.00	1
3046669	123APA030-C	*CAP**3014A**+TDR		28000	11.00	13.00	3
3046670	123APA030-C	CAP**3014A**	315(A,J)AV036070	27600	11.20	13.50	3
3046718	123APA030-C	CAP**3014A**	355(A,C)AV042080	27400	11.20	13.50	3
3046721	123APA030-C	CAP**3017A**	313*AV048070	27800	11.70	13.50	3
3046673	123APA030-C	CAP**3017A**	315(A,J)AV048090	27600	11.50	14.00	3
3124195	123APA030-C	CAP**3017A**	353AAV036040	28000	12.00	14.00	3
3124196	123APA030-C	CAP**3017A**	353AAV036060	28000	12.00	14.00	3
3124197	123APA030-C	CAP**3017A**	353AAV036080	28000	12.00	14.00	3
3124198	123APA030-C	CAP**3017A**	353AAV048080	28000	12.00	14.00	3
3046672	123APA030-C	CAP**3017A**	355(A,C)AV042060	27600	11.50	14.00	3
3046671	123APA030-C	CAP**3017A**+TDR		28000	11.00	13.00	3
3046675	123APA030-C	CAP**3614A**	315(A,J)AV036070	27600	11.50	14.00	3
3046674	123APA030-C	CAP**3614A**+TDR		28000	11.00	13.00	3
3046722	123APA030-C	CAP**3617A**	313*AV048070	28000	11.70	14.00	3
3046678	123APA030-C	CAP**3617A**	315(A,J)AV048090	27800	11.50	14.00	3
3124199	123APA030-C	CAP**3617A**	353AAV036040	28000	12.20	14.50	3
3124200	123APA030-C	CAP**3617A**	353AAV036060	28000	12.00	14.00	3
3124201	123APA030-C	CAP**3617A**	353AAV036080	28000	12.20	14.50	3
3124202	123APA030-C	CAP**3617A**	353AAV048080	28000	12.00	14.00	3
3046677	123APA030-C	CAP**3617A**	355(A,C)AV042060	27600	11.50	14.00	3
3046676	123APA030-C	CAP**3617A**+TDR		28000	11.00	13.00	3
3046723	123APA030-C	CAP**3621A**	313*AV048090	28200	12.00	14.00	3
3046681	123APA030-C	CAP**3621A**	315(A,J)AV060110	27800	11.50	14.00	3
3046680	123APA030-C	CAP**3621A**	355(A,C)AV042080	27800	11.50	14.00	3
3046679	123APA030-C	CAP**3621A**+TDR		28000	11.00	13.00	3
3046699	123APA030-C	CNPF*3618A**+TDR		27800	11.00	13.00	3
3046727	123APA030-C	CNPH*3017A**	313*AV048070	27800	11.70	13.50	3
3046728	123APA030-C	CNPH*3017A**	313*AV048090	27800	12.00	14.00	3

See notes on page 27

# COMBINATION RATINGS CONTINUED

AHRI Ref. No.	Model Number	Indoor Model	Furnace Model	Capacity	EER	SEER	Phase
3046695	123APA030-C	CNPH*3017A**	315(A,J)AV036070	27400	11.50	14.00	3
3124211	123APA030-C	CNPH*3017A**	353AAV036040	28000	12.00	14.00	3
3124212	123APA030-C	CNPH*3017A**	353AAV036060	28000	12.00	14.00	3
3124213	123APA030-C	CNPH*3017A**	353AAV036080	28000	12.00	14.00	3
3124214	123APA030-C	CNPH*3017A**	353AAV048080	28000	12.00	14.00	3
3046694	123APA030-C	CNPH*3017A**	355(A,C)AV042040	27400	11.20	13.50	3
3046719	123APA030-C	CNPH*3017A**	355(A,C)AV042080	27600	11.50	14.00	3
3046693	123APA030-C	CNPH*3017A**+TDR		27800	11.00	13.00	3
3046729	123APA030-C	CNPH*3617A**	313*AV048070	27800	11.70	13.00	3
3046730	123APA030-C	CNPH*3617A**	313*AV048090	27800	12.00	14.00	3
3046698	123APA030-C	CNPH*3617A**	315(A,J)AV036070	27400	11.50	14.00	3
3124215	123APA030-C	CNPH*3617A**	353AAV036040	28000	12.00	14.00	3
3124216	123APA030-C	CNPH*3617A**	353AAV036060	28000	12.00	14.00	3
3124217	123APA030-C	CNPH*3617A**	353AAV036080	28000	12.00	14.00	3
3124218	123APA030-C	CNPH*3617A**	353AAV048080	28000	12.00	14.00	3
3046697	123APA030-C	CNPH*3617A**	355(A,C)AV042040	27400	11.20	13.50	3
3046696	123APA030-C	CNPH*3617A**+TDR		27800	11.00	13.00	3
3046683	123APA030-C	CNPV*3014A**	315(A,J)AV036070	27400	11.20	13.50	3
3046682	123APA030-C	CNPV*3014A**+TDR		27800	11.00	13.00	3
3046724	123APA030-C	CNPV*3017A**	313*AV048070	27800	11.70	13.50	3
3046686	123APA030-C	CNPV*3017A**	315(A,J)AV048090	27400	11.50	14.00	3
3124203	123APA030-C	CNPV*3017A**	353AAV036040	28000	12.00	14.00	3
3124204	123APA030-C	CNPV*3017A**	353AAV036060	28000	12.00	14.00	3
3124205	123APA030-C	CNPV*3017A**	353AAV036080	28000	12.00	14.00	3
3124206	123APA030-C	CNPV*3017A**	353AAV048080	28000	12.00	14.00	3
3046685	123APA030-C	CNPV*3017A**	355(A,C)AV042060	27400	11.50	14.00	3
3046684	123APA030-C	CNPV*3017A**+TDR		27800	11.00	13.00	3
3046725	123APA030-C	CNPV*3617A**	313*AV048070	27800	11.70	13.50	3
3046689	123APA030-C	CNPV*3617A**	315(A,J)AV048090	27400	11.50	14.00	3
3124207	123APA030-C	CNPV*3617A**	353AAV036040	28000	12.00	14.00	3
3124208	123APA030-C	CNPV*3617A**	353AAV036060	28000	12.00	14.00	3
3124209	123APA030-C	CNPV*3617A**	353AAV036080	28000	12.00	14.00	3
3124210	123APA030-C	CNPV*3617A**	353AAV048080	28000	12.00	14.00	3
3046688	123APA030-C	CNPV*3617A**	355(A,C)AV042060	27400	11.50	14.00	3
3046687	123APA030-C	CNPV*3617A**+TDR		27800	11.00	13.00	3
3046726	123APA030-C	CNPV*3621A**	313*AV048090	27800	12.00	14.00	3
3046692	123APA030-C	CNPV*3621A**	315(A,J)AV060110	27600	11.50	14.00	3
3046691	123APA030-C	CNPV*3621A**	355(A,C)AV042080	27400	11.50	14.00	3
3046720	123APA030-C	CNPV*3621A**	355(A,C)AV060080	27600	11.70	14.00	3
3046690	123APA030-C	CNPV*3621A**+TDR		27800	11.00	13.00	3
3046731	123APA030-C	CSPH*3012A**	313*AV048070	27800	11.70	13.50	3
3046732	123APA030-C	CSPH*3012A**	313*AV048090	27800	11.70	14.00	3
3046702	123APA030-C	CSPH*3012A**	315(A,J)AV036070	26800	11.50	14.00	3
3124219	123APA030-C	CSPH*3012A**	353AAV036040	28000	12.00	14.00	3
3124220	123APA030-C	CSPH*3012A**	353AAV036060	28000	12.00	14.00	3
3124221	123APA030-C	CSPH*3012A**	353AAV036080	28000	12.00	14.00	3
3124222	123APA030-C	CSPH*3012A**	353AAV048080	28000	12.00	14.00	3
3046701	123APA030-C	CSPH*3012A**	355(A,C)AV042040	26800	11.20	13.50	3
3046700	123APA030-C	CSPH*3012A**+TDR		27000	11.00	13.00	3
3046733	123APA030-C	CSPH*3612A**	313*AV048070	28000	12.00	14.00	3
3046734	123APA030-C	CSPH*3612A**	313*AV048090	28200	12.00	14.00	3
3046705	123APA030-C	CSPH*3612A**	315(A,J)AV036070	27200	11.50	14.00	3
3124223	123APA030-C	CSPH*3612A**	353AAV036040	28000	12.20	14.50	3
3124224	123APA030-C	CSPH*3612A**	353AAV036060	28000	12.00	14.00	3
3124225	123APA030-C	CSPH*3612A**	353AAV036080	28000	12.20	14.50	3
3124226	123APA030-C	CSPH*3612A**	353AAV048080	28000	12.00	14.00	3
3046704	123APA030-C	CSPH*3612A**	355(A,C)AV042040	27200	11.50	14.00	3
3046703	123APA030-C	CSPH*3612A**+TDR		27400	11.00	13.20	3
3046711	123APA030-C	FE4AN(B,F)003+UI		28000	11.70	14.50	3
3046712	123APA030-C	FE4AN(B,F)005+UI		28800	12.00	15.00	3
3046710	123APA030-C	FE4ANF002+UI		27800	11.50	14.00	3
3046713	123APA030-C	FF1ENP030		27400	11.00	13.00	3
3046714	123APA030-C	FF1ENP036		28000	11.00	13.20	3
3046716	123APA030-C	FV4BN(B,F)003		28000	11.70	14.50	3
3046717	123APA030-C	FV4BN(B,F)005		28800	12.00	15.00	3
3046715	123APA030-C	FV4BNF002		27800	11.50	14.00	3
3046709	123APA030-C	FX4CN(B,F)036		28200	11.50	14.00	3
3046708	123APA030-C	FX4CNF030		28000	11.20	13.50	3
3046706	123APA030-C	FY4ANF030		27600	11.00	13.00	3
3046707	123APA030-C	FY4ANF036		27800	11.00	13.00	3
3045779	123ANA036-C	*CAP**3617A**+TDR		34000	11.00	13.00	1
3045830	123ANA036-C	CAP**3614A**	313*AV024045	33600	11.00	13.20	1
3045781	123ANA036-C	CAP**3614A**	315(A,J)AV036070	33000	11.20	13.50	1
3045780	123ANA036-C	CAP**3614A**+TDR		33000	11.00	13.00	1
3045831	123ANA036-C	CAP**3617A**	313*AV048070	33800	11.70	13.50	1
3045783	123ANA036-C	CAP**3617A**	315(A,J)AV048090	33600	11.50	14.00	1
3101698	123ANA036-C	CAP**3617A**	353AAV036040	34000	12.00	14.00	1
3101699	123ANA036-C	CAP**3617A**	353AAV036060	34000	12.00	14.00	1
3101700	123ANA036-C	CAP**3617A**	353AAV036080	34000	12.00	14.00	1
3101701	123ANA036-C	CAP**3617A**	353AAV048080	34000	12.00	14.00	1
3045782	123ANA036-C	CAP**3617A**	355(A,C)AV042060	33600	11.50	14.00	1
3045832	123ANA036-C	CAP**3621A**	313*AV048090	34000	12.00	14.50	1
3045833	123ANA036-C	CAP**3621A**	313*AV060110	34000	12.00	14.50	1
3045786	123ANA036-C	CAP**3621A**	315(A,J)AV060110	33800	11.50	14.00	1
3101702	123ANA036-C	CAP**3621A**	353AAV060100	34000	12.20	14.50	1
3045785	123ANA036-C	CAP**3621A**	355(A,C)AV042080	33600	11.20	13.50	1
3045784	123ANA036-C	CAP**3621A**+TDR		34000	11.00	13.00	1
3045834	123ANA036-C	CAP**4221A**	313*AV048090	34400	12.20	14.50	1

See notes on page 27



# COMBINATION RATINGS CONTINUED

AHRI Ref. No.	Model Number	Indoor Model	Furnace Model	Capacity	EER	SEER	Phase
3045823	123ANA036-C	FE4ANB006+UI		35400	12.00	15.00	1
3045820	123ANA036-C	FE4ANF002+UI		33600	11.50	14.00	1
3045824	123ANA036-C	FF1ENP036		33800	11.00	13.00	1
3045826	123ANA036-C	FV4BN(B,F)003		34000	11.70	14.50	1
3045827	123ANA036-C	FV4BN(B,F)005		35000	12.00	15.00	1
3045828	123ANA036-C	FV4BNB006		35400	12.00	15.00	1
3045825	123ANA036-C	FV4BNF002		33600	11.50	14.00	1
3045818	123ANA036-C	FX4CN(B,F)036		34400	11.50	14.00	1
3045819	123ANA036-C	FX4CN(B,F)042		34800	11.50	14.00	1
3045816	123ANA036-C	FY4ANF036		33800	11.00	13.00	1
3045817	123ANA036-C	FY4ANF042		34400	11.00	13.00	1
3046735	123APA036-C	*CAP**3617A**+TDR		34000	11.00	13.00	3
3046786	123APA036-C	CAP**3614A**	313*AV024045	33600	11.00	13.20	3
3046737	123APA036-C	CAP**3614A**	315(A,J)AV036070	33000	11.20	13.50	3
3046736	123APA036-C	CAP**3614A**+TDR		33000	11.00	13.00	3
3046787	123APA036-C	CAP**3617A**	313*AV048070	33800	11.70	13.50	3
3046739	123APA036-C	CAP**3617A**	315(A,J)AV048090	33600	11.50	14.00	3
3124227	123APA036-C	CAP**3617A**	353AAV036040	34000	12.00	14.00	3
3124228	123APA036-C	CAP**3617A**	353AAV036060	34000	12.00	14.00	3
3124229	123APA036-C	CAP**3617A**	353AAV036080	34000	12.00	14.00	3
3124230	123APA036-C	CAP**3617A**	353AAV048080	34000	12.00	14.00	3
3046738	123APA036-C	CAP**3617A**	355(A,C)AV042060	33600	11.50	14.00	3
3046788	123APA036-C	CAP**3621A**	313*AV048090	34000	12.00	14.50	3
3046789	123APA036-C	CAP**3621A**	313*AV060110	34000	12.00	14.50	3
3046742	123APA036-C	CAP**3621A**	315(A,J)AV060110	33800	11.50	14.00	3
3124231	123APA036-C	CAP**3621A**	353AAV060100	34000	12.20	14.50	3
3046741	123APA036-C	CAP**3621A**	355(A,C)AV042080	33600	11.20	13.50	3
3046740	123APA036-C	CAP**3621A**+TDR		34000	11.00	13.00	3
3046790	123APA036-C	CAP**4221A**	313*AV048090	34400	12.20	14.50	3
3046791	123APA036-C	CAP**4221A**	313*AV060110	34400	12.20	14.50	3
3046745	123APA036-C	CAP**4221A**	315(A,J)AV060110	34000	11.50	14.00	3
3124232	123APA036-C	CAP**4221A**	353AAV060100	34000	12.20	14.50	3
3046744	123APA036-C	CAP**4221A**	355(A,C)AV042080	33800	11.50	14.00	3
3046743	123APA036-C	CAP**4221A**+TDR		34000	11.00	13.00	3
3046748	123APA036-C	CAP**4224A**	315(A,J)AV066135	34000	11.70	14.50	3
3046747	123APA036-C	CAP**4224A**	355(A,C)AV042040	33800	11.50	14.00	3
3046746	123APA036-C	CAP**4224A**+TDR		34000	11.00	13.00	3
3046765	123APA036-C	CNPF*3618A**+TDR		33800	11.00	13.00	3
3046797	123APA036-C	CNPH*3617A**	313*AV024045	33600	11.00	13.20	3
3046798	123APA036-C	CNPH*3617A**	313*AV048070	33600	11.70	13.50	3
3046799	123APA036-C	CNPH*3617A**	313*AV048090	34000	12.00	14.00	3
3046800	123APA036-C	CNPH*3617A**	313*AV060110	34000	12.00	14.00	3
3046760	123APA036-C	CNPH*3617A**	315(A,J)AV036070	33200	11.20	13.50	3
3124243	123APA036-C	CNPH*3617A**	353AAV036040	34000	12.00	14.00	3
3124244	123APA036-C	CNPH*3617A**	353AAV036060	34000	12.00	14.00	3
3124245	123APA036-C	CNPH*3617A**	353AAV036080	33800	12.00	14.00	3
3124246	123APA036-C	CNPH*3617A**	353AAV048080	34000	12.00	14.00	3
3124247	123APA036-C	CNPH*3617A**	353AAV060100	33800	12.00	14.00	3
3046759	123APA036-C	CNPH*3617A**	355(A,C)AV042040	33200	11.20	13.50	3
3046758	123APA036-C	CNPH*3617A**+TDR		33800	11.00	13.00	3
3046801	123APA036-C	CNPH*4221A**	313*AV024045	34000	11.50	13.50	3
3046802	123APA036-C	CNPH*4221A**	313*AV048070	34200	11.70	14.00	3
3046803	123APA036-C	CNPH*4221A**	313*AV048090	34400	12.20	14.50	3
3046804	123APA036-C	CNPH*4221A**	313*AV060110	34400	12.20	14.50	3
3046764	123APA036-C	CNPH*4221A**	315(A,J)AV036070	34200	11.50	14.00	3
3124248	123APA036-C	CNPH*4221A**	353AAV036040	34000	12.00	14.00	3
3124249	123APA036-C	CNPH*4221A**	353AAV036060	34000	12.00	14.00	3
3124250	123APA036-C	CNPH*4221A**	353AAV036080	34000	12.00	14.00	3
3124251	123APA036-C	CNPH*4221A**	353AAV048080	34000	12.00	14.00	3
3124252	123APA036-C	CNPH*4221A**	353AAV060100	34000	12.20	14.50	3
3046762	123APA036-C	CNPH*4221A**	355(A,C)AV042040	34200	11.50	14.00	3
3046763	123APA036-C	CNPH*4221A**	355(A,C)AV042060	34400	11.50	14.00	3
3046761	123APA036-C	CNPH*4221A**+TDR		34000	11.00	13.00	3
3046792	123APA036-C	CNPV*3617A**	313*AV048070	33600	11.70	13.50	3
3046751	123APA036-C	CNPV*3617A**	315(A,J)AV048090	33400	11.50	14.00	3
3124233	123APA036-C	CNPV*3617A**	353AAV036040	34000	12.00	14.00	3
3124234	123APA036-C	CNPV*3617A**	353AAV036060	34000	12.00	14.00	3
3124235	123APA036-C	CNPV*3617A**	353AAV036080	33800	12.00	14.00	3
3124236	123APA036-C	CNPV*3617A**	353AAV048080	34000	12.00	14.00	3
3046750	123APA036-C	CNPV*3617A**	355(A,C)AV042060	33200	11.20	13.50	3
3046749	123APA036-C	CNPV*3617A**+TDR		33800	11.00	13.00	3
3046793	123APA036-C	CNPV*3621A**	313*AV048090	34000	12.00	14.00	3
3046794	123APA036-C	CNPV*3621A**	313*AV060110	34000	12.00	14.00	3
3046754	123APA036-C	CNPV*3621A**	315(A,J)AV060110	33800	11.20	13.50	3
3124237	123APA036-C	CNPV*3621A**	353AAV060100	33800	12.20	14.50	3
3046753	123APA036-C	CNPV*3621A**	355(A,C)AV042080	33600	11.00	13.00	3
3046752	123APA036-C	CNPV*3621A**+TDR		33800	11.00	13.00	3
3124238	123APA036-C	CNPV*4217A**	353AAV036040	34000	12.20	14.50	3
3124239	123APA036-C	CNPV*4217A**	353AAV036060	34000	12.20	14.50	3
3124240	123APA036-C	CNPV*4217A**	353AAV036080	34000	12.20	14.50	3
3124241	123APA036-C	CNPV*4217A**	353AAV048080	34000	12.20	14.50	3
3046795	123APA036-C	CNPV*4221A**	313*AV048090	34400	12.20	14.50	3
3046796	123APA036-C	CNPV*4221A**	313*AV060110	34400	12.20	14.50	3
3046757	123APA036-C	CNPV*4221A**	315(A,J)AV060110	34600	11.70	14.50	3
3124242	123APA036-C	CNPV*4221A**	353AAV060100	34000	12.20	14.50	3
3046756	123APA036-C	CNPV*4221A**	355(A,C)AV042080	34200	11.50	14.00	3
3046785	123APA036-C	CNPV*4221A**	355(A,C)AV060100	34200	11.70	14.00	3
3046755	123APA036-C	CNPV*4221A**+TDR		34000	11.00	13.00	3

See notes on page 27



# COMBINATION RATINGS CONTINUED

AHRI Ref. No.	Model Number	Indoor Model	Furnace Model	Capacity	EER	SEER	Phase
3046805	123APA036-C	CSPH*3612A**	313*AV024045	34000	11.70	13.50	3
3046806	123APA036-C	CSPH*3612A**	313*AV048070	34000	12.00	14.00	3
3046807	123APA036-C	CSPH*3612A**	313*AV048090	34000	12.00	14.50	3
3046808	123APA036-C	CSPH*3612A**	313*AV060110	34000	12.00	14.50	3
3046768	123APA036-C	CSPH*3612A**	315(A,J)AV036070	33200	11.50	14.00	3
3124253	123APA036-C	CSPH*3612A**	353AAV036040	34000	12.00	14.00	3
3124254	123APA036-C	CSPH*3612A**	353AAV036060	34000	12.00	14.00	3
3124255	123APA036-C	CSPH*3612A**	353AAV036080	34000	12.00	14.00	3
3124256	123APA036-C	CSPH*3612A**	353AAV048080	34000	12.00	14.00	3
3124257	123APA036-C	CSPH*3612A**	353AAV060100	34000	12.20	14.50	3
3046767	123APA036-C	CSPH*3612A**	355(A,C)AV042040	33200	11.50	14.00	3
3046766	123APA036-C	CSPH*3612A**+TDR		33600	11.00	13.00	3
3046809	123APA036-C	CSPH*4212A**	313*AV024045	34400	11.70	13.50	3
3046810	123APA036-C	CSPH*4212A**	313*AV048070	34400	12.00	14.00	3
3046811	123APA036-C	CSPH*4212A**	313*AV048090	34400	12.20	14.50	3
3046812	123APA036-C	CSPH*4212A**	313*AV060110	34400	12.20	14.50	3
3046771	123APA036-C	CSPH*4212A**	315(A,J)AV036070	34000	11.20	13.50	3
3124258	123APA036-C	CSPH*4212A**	353AAV036040	34000	12.20	14.50	3
3124259	123APA036-C	CSPH*4212A**	353AAV036060	34000	12.20	14.50	3
3124260	123APA036-C	CSPH*4212A**	353AAV036080	34000	12.20	14.50	3
3124261	123APA036-C	CSPH*4212A**	353AAV048080	34000	12.20	14.50	3
3124262	123APA036-C	CSPH*4212A**	353AAV060100	34000	12.20	14.50	3
3046770	123APA036-C	CSPH*4212A**	355(A,C)AV042040	33800	11.20	13.50	3
3046769	123APA036-C	CSPH*4212A**+TDR		33800	11.20	13.20	3
3046777	123APA036-C	FE4AN(B,F)003+UI		34000	11.70	14.50	3
3046778	123APA036-C	FE4AN(B,F)005+UI		35000	12.00	15.00	3
3046779	123APA036-C	FE4ANB006+UI		35400	12.00	15.00	3
3046776	123APA036-C	FE4ANF002+UI		33600	11.50	14.00	3
3046780	123APA036-C	FF1ENP036		33800	11.00	13.00	3
3046782	123APA036-C	FV4BN(B,F)003		34000	11.70	14.50	3
3046783	123APA036-C	FV4BN(B,F)005		35000	12.00	15.00	3
3046784	123APA036-C	FV4BNB006		35400	12.00	15.00	3
3046781	123APA036-C	FV4BNF002		33600	11.50	14.00	3
3046774	123APA036-C	FX4CN(B,F)036		34400	11.50	14.00	3
3046775	123APA036-C	FX4CN(B,F)042		34800	11.50	14.00	3
3046772	123APA036-C	FY4ANF036		33800	11.00	13.00	3
3046773	123APA036-C	FY4ANF042		34400	11.00	13.00	3
3046813	123AEA036-C	*CAP**3617A**+TDR		34000	11.00	13.00	3
3046864	123AEA036-C	CAP**3614A**	313*AV024045	33600	11.00	13.20	3
3046815	123AEA036-C	CAP**3614A**	315(A,J)AV036070	33000	11.20	13.50	3
3046814	123AEA036-C	CAP**3614A**+TDR		33000	11.00	13.00	3
3046865	123AEA036-C	CAP**3617A**	313*AV048070	33800	11.70	13.50	3
3046817	123AEA036-C	CAP**3617A**	315(A,J)AV048090	33600	11.50	14.00	3
3124331	123AEA036-C	CAP**3617A**	353AAV036040	34000	12.00	14.00	3
3124332	123AEA036-C	CAP**3617A**	353AAV036060	34000	12.00	14.00	3
3124333	123AEA036-C	CAP**3617A**	353AAV036080	34000	12.00	14.00	3
3124334	123AEA036-C	CAP**3617A**	353AAV048080	34000	12.00	14.00	3
3046816	123AEA036-C	CAP**3617A**	355(A,C)AV042060	33600	11.50	14.00	3
3046866	123AEA036-C	CAP**3621A**	313*AV048090	34000	12.00	14.50	3
3046867	123AEA036-C	CAP**3621A**	313*AV060110	34000	12.00	14.50	3
3046820	123AEA036-C	CAP**3621A**	315(A,J)AV060110	33800	11.50	14.00	3
3124335	123AEA036-C	CAP**3621A**	353AAV060100	34000	12.20	14.50	3
3046819	123AEA036-C	CAP**3621A**	355(A,C)AV042080	33600	11.20	13.50	3
3046818	123AEA036-C	CAP**3621A**+TDR		34000	11.00	13.00	3
3046868	123AEA036-C	CAP**4221A**	313*AV048090	34400	12.20	14.50	3
3046869	123AEA036-C	CAP**4221A**	313*AV060110	34400	12.20	14.50	3
3046823	123AEA036-C	CAP**4221A**	315(A,J)AV060110	34000	11.50	14.00	3
3124336	123AEA036-C	CAP**4221A**	353AAV060100	34000	12.20	14.50	3
3046822	123AEA036-C	CAP**4221A**	355(A,C)AV042080	33800	11.50	14.00	3
3046821	123AEA036-C	CAP**4221A**+TDR		34000	11.00	13.00	3
3046826	123AEA036-C	CAP**4224A**	315(A,J)AV066135	34000	11.70	14.50	3
3046825	123AEA036-C	CAP**4224A**	355(A,C)AV042040	33800	11.50	14.00	3
3046824	123AEA036-C	CAP**4224A**+TDR		34000	11.00	13.00	3
3046843	123AEA036-C	CNPF**3618A**+TDR		33800	11.00	13.00	3
3046875	123AEA036-C	CNPH*3617A**	313*AV024045	33600	11.00	13.20	3
3046876	123AEA036-C	CNPH*3617A**	313*AV048070	33600	11.70	13.50	3
3046877	123AEA036-C	CNPH*3617A**	313*AV048090	34000	12.00	14.00	3
3046878	123AEA036-C	CNPH*3617A**	313*AV060110	34000	12.00	14.00	3
3046838	123AEA036-C	CNPH*3617A**	315(A,J)AV036070	33200	11.20	13.50	3
3124347	123AEA036-C	CNPH*3617A**	353AAV036040	34000	12.00	14.00	3
3124348	123AEA036-C	CNPH*3617A**	353AAV036060	34000	12.00	14.00	3
3124349	123AEA036-C	CNPH*3617A**	353AAV036080	33800	12.00	14.00	3
3124350	123AEA036-C	CNPH*3617A**	353AAV048080	34000	12.00	14.00	3
3124351	123AEA036-C	CNPH*3617A**	353AAV060100	33800	12.00	14.00	3
3046837	123AEA036-C	CNPH*3617A**	355(A,C)AV042040	33200	11.20	13.50	3
3046836	123AEA036-C	CNPH*3617A**+TDR		33800	11.00	13.00	3
3046879	123AEA036-C	CNPH*4221A**	313*AV024045	34000	11.50	13.50	3
3046880	123AEA036-C	CNPH*4221A**	313*AV048070	34200	11.70	14.00	3
3046881	123AEA036-C	CNPH*4221A**	313*AV048090	34400	12.20	14.50	3
3046882	123AEA036-C	CNPH*4221A**	313*AV060110	34400	12.20	14.50	3
3046842	123AEA036-C	CNPH*4221A**	315(A,J)AV036070	34200	11.50	14.00	3
3124352	123AEA036-C	CNPH*4221A**	353AAV036040	34000	12.00	14.00	3
3124353	123AEA036-C	CNPH*4221A**	353AAV036060	34000	12.00	14.00	3
3124354	123AEA036-C	CNPH*4221A**	353AAV036080	34000	12.00	14.00	3
3124355	123AEA036-C	CNPH*4221A**	353AAV048080	34000	12.00	14.00	3
3124356	123AEA036-C	CNPH*4221A**	353AAV060100	34000	12.20	14.50	3
3046840	123AEA036-C	CNPH*4221A**	355(A,C)AV042040	34200	11.50	14.00	3
3046841	123AEA036-C	CNPH*4221A**	355(A,C)AV042060	34400	11.50	14.00	3

123A

See notes on page 27

# COMBINATION RATINGS CONTINUED

AHRI Ref. No.	Model Number	Indoor Model	Furnace Model	Capacity	EER	SEER	Phase
3046839	123AEA036-C	CNPH*4221A**+TDR		34000	11.00	13.00	3
3046870	123AEA036-C	CNPV*3617A**	313*AV048070	33600	11.70	13.50	3
3046829	123AEA036-C	CNPH*3617A**	315(A,J)AV048090	33400	11.50	14.00	3
3124337	123AEA036-C	CNPV*3617A**	353AAV036040	34000	12.00	14.00	3
3124338	123AEA036-C	CNPV*3617A**	353AAV036060	34000	12.00	14.00	3
3124339	123AEA036-C	CNPV*3617A**	353AAV036080	33800	12.00	14.00	3
3124340	123AEA036-C	CNPV*3617A**	353AAV048080	34000	12.00	14.00	3
3046828	123AEA036-C	CNPV*3617A**	355(A,C)AV042060	33200	11.20	13.50	3
3046827	123AEA036-C	CNPH*3617A**+TDR		33800	11.00	13.00	3
3046871	123AEA036-C	CNPV*3621A**	313*AV048090	34000	12.00	14.00	3
3046872	123AEA036-C	CNPV*3621A**	313*AV060110	34000	12.00	14.00	3
3046832	123AEA036-C	CNPV*3621A**	315(A,J)AV060110	33800	11.20	13.50	3
3124341	123AEA036-C	CNPV*3621A**	353AAV060100	33800	12.20	14.50	3
3046831	123AEA036-C	CNPV*3621A**	355(A,C)AV042080	33600	11.00	13.00	3
3046830	123AEA036-C	CNPV*3621A**+TDR		33800	11.00	13.00	3
3124342	123AEA036-C	CNPV*4217A**	353AAV036040	34000	12.20	14.50	3
3124343	123AEA036-C	CNPV*4217A**	353AAV036060	34000	12.20	14.50	3
3124344	123AEA036-C	CNPV*4217A**	353AAV036080	34000	12.20	14.50	3
3124345	123AEA036-C	CNPV*4217A**	353AAV048080	34000	12.20	14.50	3
3046873	123AEA036-C	CNPV*4221A**	313*AV048090	34400	12.20	14.50	3
3046874	123AEA036-C	CNPV*4221A**	313*AV060110	34400	12.20	14.50	3
3046835	123AEA036-C	CNPV*4221A**	315(A,J)AV060110	34600	11.70	14.50	3
3124346	123AEA036-C	CNPV*4221A**	353AAV060100	34000	12.20	14.50	3
3046834	123AEA036-C	CNPV*4221A**	355(A,C)AV042080	34200	11.50	14.00	3
3046863	123AEA036-C	CNPV*4221A**	355(A,C)AV060100	34200	11.70	14.00	3
3046833	123AEA036-C	CNPV*4221A**+TDR		34000	11.00	13.00	3
3046883	123AEA036-C	CSPH*3612A**	313*AV024045	34000	11.70	13.50	3
3046884	123AEA036-C	CSPH*3612A**	313*AV048070	34000	12.00	14.00	3
3046885	123AEA036-C	CSPH*3612A**	313*AV048090	34000	12.00	14.50	3
3046886	123AEA036-C	CSPH*3612A**	313*AV060110	34000	12.00	14.50	3
3046846	123AEA036-C	CSPH*3612A**	315(A,J)AV036070	33200	11.50	14.00	3
3124357	123AEA036-C	CSPH*3612A**	353AAV036040	34000	12.00	14.00	3
3124358	123AEA036-C	CSPH*3612A**	353AAV036060	34000	12.00	14.00	3
3124359	123AEA036-C	CSPH*3612A**	353AAV036080	34000	12.00	14.00	3
3124360	123AEA036-C	CSPH*3612A**	353AAV048080	34000	12.00	14.00	3
3124361	123AEA036-C	CSPH*3612A**	353AAV060100	34000	12.20	14.50	3
3046845	123AEA036-C	CSPH*3612A**	355(A,C)AV042040	33200	11.50	14.00	3
3046844	123AEA036-C	CSPH*3612A**+TDR		33600	11.00	13.00	3
3046887	123AEA036-C	CSPH*4212A**	313*AV024045	34400	11.70	13.50	3
3046888	123AEA036-C	CSPH*4212A**	313*AV048070	34400	12.00	14.00	3
3046889	123AEA036-C	CSPH*4212A**	313*AV048090	34400	12.20	14.50	3
3046890	123AEA036-C	CSPH*4212A**	313*AV060110	34400	12.20	14.50	3
3046849	123AEA036-C	CSPH*4212A**	315(A,J)AV036070	34000	11.20	13.50	3
3124362	123AEA036-C	CSPH*4212A**	353AAV036040	34000	12.20	14.50	3
3124363	123AEA036-C	CSPH*4212A**	353AAV036060	34000	12.20	14.50	3
3124364	123AEA036-C	CSPH*4212A**	353AAV036080	34000	12.20	14.50	3
3124365	123AEA036-C	CSPH*4212A**	353AAV048080	34000	12.20	14.50	3
3124366	123AEA036-C	CSPH*4212A**	353AAV060100	34000	12.20	14.50	3
3046848	123AEA036-C	CSPH*4212A**	355(A,C)AV042040	33800	11.20	13.50	3
3046847	123AEA036-C	CSPH*4212A**+TDR		33800	11.20	13.20	3
3046855	123AEA036-C	FE4AN(B,F)003+UI		34000	11.70	14.50	3
3046856	123AEA036-C	FE4AN(B,F)005+UI		35000	12.00	15.00	3
3046857	123AEA036-C	FE4ANB006+UI		35400	12.00	15.00	3
3046854	123AEA036-C	FE4ANF002+UI		33600	11.50	14.00	3
3046858	123AEA036-C	FF1ENP036		33800	11.00	13.00	3
3046860	123AEA036-C	FV4BN(B,F)003		34000	11.70	14.50	3
3046861	123AEA036-C	FV4BN(B,F)005		35000	12.00	15.00	3
3046862	123AEA036-C	FV4BNB006		35400	12.00	15.00	3
3046859	123AEA036-C	FV4BNF002		33600	11.50	14.00	3
3046852	123AEA036-C	FX4CN(B,F)036		34400	11.50	14.00	3
3046853	123AEA036-C	FX4CN(B,F)042		34800	11.50	14.00	3
3046850	123AEA036-C	FY4ANF036		33800	11.00	13.00	3
3046851	123AEA036-C	FY4ANF042		34400	11.00	13.00	3
3045857	123ANA042-C	*CAP**4221A**+TDR		41000	11.00	13.00	1
3045904	123ANA042-C	CAP**4221A**	313*AV048090	40500	11.70	14.00	1
3045905	123ANA042-C	CAP**4221A**	313*AV060110	40500	12.00	14.00	1
3045859	123ANA042-C	CAP**4221A**	315(A,J)AV060110	40500	11.20	13.50	1
3101734	123ANA042-C	CAP**4221A**	353AAV060100	40500	12.00	14.00	1
3045858	123ANA042-C	CAP**4221A**	355(A,C)AV042080	40000	11.20	13.50	1
3045906	123ANA042-C	CAP**4224A**	313*AV060135	40500	11.70	14.00	1
3045862	123ANA042-C	CAP**4224A**	315(A,J)AV066135	40500	11.50	14.00	1
3101735	123ANA042-C	CAP**4224A**	353AAV060120	40500	12.00	14.00	1
3045861	123ANA042-C	CAP**4224A**	355(A,C)AV042040	40000	11.20	13.50	1
3045860	123ANA042-C	CAP**4224A**+TDR		41000	11.00	13.00	1
3045907	123ANA042-C	CAP**4817A**	313*AV048070	41000	11.50	13.50	1
3045865	123ANA042-C	CAP**4817A**	315(A,J)AV048090	40000	11.50	14.00	1
3101736	123ANA042-C	CAP**4817A**	353AAV036040	41000	11.70	14.00	1
3101737	123ANA042-C	CAP**4817A**	353AAV036060	41000	11.70	13.50	1
3101738	123ANA042-C	CAP**4817A**	353AAV036080	41000	12.00	14.00	1
3101739	123ANA042-C	CAP**4817A**	353AAV048080	41000	12.00	14.00	1
3045864	123ANA042-C	CAP**4817A**	355(A,C)AV042060	40000	11.50	14.00	1
3045863	123ANA042-C	CAP**4817A**+TDR		40000	11.00	13.20	1
3045908	123ANA042-C	CAP**4821A**	313*AV048090	41000	12.00	14.00	1
3045909	123ANA042-C	CAP**4821A**	313*AV060110	41000	12.00	14.00	1
3045868	123ANA042-C	CAP**4821A**	315(A,J)AV060110	41000	11.50	14.00	1
3101740	123ANA042-C	CAP**4821A**	353AAV060100	41000	12.00	14.00	1
3045867	123ANA042-C	CAP**4821A**	355(A,C)AV042080	40500	11.20	13.50	1
3045866	123ANA042-C	CAP**4821A**+TDR		41500	11.00	13.20	1

See notes on page 27

# COMBINATION RATINGS CONTINUED

AHRI Ref. No.	Model Number	Indoor Model	Furnace Model	Capacity	EER	SEER	Phase
3045910	123ANA042-C	CAP**4824A**	313*AV060135	41000	12.00	14.00	1
3045871	123ANA042-C	CAP**4824A**	315(A,J)AV066135	41000	11.70	14.50	1
3101741	123ANA042-C	CAP**4824A**	353AAV060120	41000	12.20	14.50	1
3045870	123ANA042-C	CAP**4824A**	355(A,C)AV042040	41000	11.20	13.50	1
3045869	123ANA042-C	CAP**4824A**+TDR		41500	11.00	13.20	1
3045887	123ANA042-C	CNPF*4818A**+TDR		41500	11.00	13.20	1
3045916	123ANA042-C	CNPH*4221A**	313*AV048070	40000	11.00	13.00	1
3045917	123ANA042-C	CNPH*4221A**	313*AV048090	40500	11.70	14.00	1
3045918	123ANA042-C	CNPH*4221A**	313*AV060110	40500	11.70	14.00	1
3045919	123ANA042-C	CNPH*4221A**	313*AV060135	40500	11.70	14.00	1
3045883	123ANA042-C	CNPH*4221A**	315(A,J)AV036070	40500	11.20	13.50	1
3101749	123ANA042-C	CNPH*4221A**	353AAV036040	40500	11.70	13.50	1
3101750	123ANA042-C	CNPH*4221A**	353AAV036060	40500	11.50	13.50	1
3101751	123ANA042-C	CNPH*4221A**	353AAV036080	40500	11.70	13.50	1
3101752	123ANA042-C	CNPH*4221A**	353AAV048080	40000	11.70	13.50	1
3101753	123ANA042-C	CNPH*4221A**	353AAV060100	40500	12.00	14.00	1
3101754	123ANA042-C	CNPH*4221A**	353AAV060120	40500	12.00	14.00	1
3045882	123ANA042-C	CNPH*4221A**	355(A,C)AV042040	40000	11.20	13.50	1
3045881	123ANA042-C	CNPH*4221A**+TDR		41000	11.00	13.00	1
3045920	123ANA042-C	CNPH*4821A**	313*AV048070	41000	11.50	13.50	1
3045921	123ANA042-C	CNPH*4821A**	313*AV048090	41000	12.00	14.00	1
3045922	123ANA042-C	CNPH*4821A**	313*AV060110	41000	12.00	14.00	1
3045923	123ANA042-C	CNPH*4821A**	313*AV060135	41000	12.00	14.00	1
3045886	123ANA042-C	CNPH*4821A**	315(A,J)AV036070	41000	11.20	13.50	1
3101755	123ANA042-C	CNPH*4821A**	353AAV036040	41000	11.70	14.00	1
3101756	123ANA042-C	CNPH*4821A**	353AAV036060	41000	11.70	13.50	1
3101757	123ANA042-C	CNPH*4821A**	353AAV036080	41000	12.00	14.00	1
3101758	123ANA042-C	CNPH*4821A**	353AAV048080	41000	12.00	14.00	1
3101759	123ANA042-C	CNPH*4821A**	353AAV060100	41000	12.00	14.00	1
3101760	123ANA042-C	CNPH*4821A**	353AAV060120	41000	12.20	14.50	1
3045885	123ANA042-C	CNPH*4821A**	355(A,C)AV042040	40500	11.20	13.50	1
3045884	123ANA042-C	CNPH*4821A**+TDR		41500	11.00	13.20	1
3101742	123ANA042-C	CNPV*4217A**	353AAV036040	40500	11.70	13.50	1
3101743	123ANA042-C	CNPV*4217A**	353AAV036060	40500	11.70	13.50	1
3101744	123ANA042-C	CNPV*4217A**	353AAV036080	40500	11.70	13.50	1
3101745	123ANA042-C	CNPV*4217A**	353AAV048080	40500	11.70	13.50	1
3045911	123ANA042-C	CNPV*4221A**	313*AV048090	40500	11.70	14.00	1
3045912	123ANA042-C	CNPV*4221A**	313*AV060110	40500	11.70	14.00	1
3045874	123ANA042-C	CNPV*4221A**	315(A,J)AV060110	40000	11.50	14.00	1
3101746	123ANA042-C	CNPV*4221A**	353AAV060100	40500	12.00	14.00	1
3045873	123ANA042-C	CNPV*4221A**	355(A,C)AV042080	40000	11.20	13.50	1
3045872	123ANA042-C	CNPV*4221A**+TDR		41000	11.00	13.00	1
3045913	123ANA042-C	CNPV*4821A**	313*AV048090	41000	12.00	14.00	1
3045914	123ANA042-C	CNPV*4821A**	313*AV060110	41000	12.00	14.00	1
3045877	123ANA042-C	CNPV*4821A**	315(A,J)AV060110	41000	11.50	14.00	1
3101747	123ANA042-C	CNPV*4821A**	353AAV060100	41000	12.00	14.00	1
3045876	123ANA042-C	CNPV*4821A**	355(A,C)AV042080	40500	11.20	13.50	1
3045875	123ANA042-C	CNPV*4821A**+TDR		40500	11.00	13.20	1
3045915	123ANA042-C	CNPV*4824A**	313*AV060135	41000	12.00	14.00	1
3045880	123ANA042-C	CNPV*4824A**	315(A,J)AV066135	40500	11.70	14.50	1
3101748	123ANA042-C	CNPV*4824A**	353AAV060120	41000	12.20	14.50	1
3045879	123ANA042-C	CNPV*4824A**	355(A,C)AV042040	41000	11.20	13.50	1
3045878	123ANA042-C	CNPV*4824A**+TDR		41500	11.00	13.20	1
3045924	123ANA042-C	CSPH*4212A**	313*AV048070	41000	11.50	13.50	1
3045925	123ANA042-C	CSPH*4212A**	313*AV048090	41000	12.00	14.00	1
3045926	123ANA042-C	CSPH*4212A**	313*AV060110	41000	12.00	14.00	1
3045927	123ANA042-C	CSPH*4212A**	313*AV060135	41000	12.00	14.00	1
3045890	123ANA042-C	CSPH*4212A**	315(A,J)AV036070	40000	11.20	13.50	1
3101761	123ANA042-C	CSPH*4212A**	353AAV036040	40500	11.70	13.50	1
3101762	123ANA042-C	CSPH*4212A**	353AAV036060	40500	11.70	13.50	1
3101763	123ANA042-C	CSPH*4212A**	353AAV036080	40500	11.70	13.50	1
3101764	123ANA042-C	CSPH*4212A**	353AAV048080	40500	11.70	13.50	1
3101765	123ANA042-C	CSPH*4212A**	353AAV060100	40500	12.00	14.00	1
3101766	123ANA042-C	CSPH*4212A**	353AAV060120	40500	12.00	14.00	1
3045889	123ANA042-C	CSPH*4212A**	355(A,C)AV042040	40000	11.20	13.50	1
3045888	123ANA042-C	CSPH*4212A**+TDR		40500	11.00	13.20	1
3045928	123ANA042-C	CSPH*4812A**	313*AV048070	41000	11.50	13.50	1
3045929	123ANA042-C	CSPH*4812A**	313*AV048090	41500	12.00	14.00	1
3045930	123ANA042-C	CSPH*4812A**	313*AV060110	41500	12.00	14.00	1
3045931	123ANA042-C	CSPH*4812A**	313*AV060135	41500	12.00	14.00	1
3045893	123ANA042-C	CSPH*4812A**	315(A,J)AV036070	40000	11.20	13.50	1
3101767	123ANA042-C	CSPH*4812A**	353AAV036040	41000	12.00	14.00	1
3101768	123ANA042-C	CSPH*4812A**	353AAV036060	41000	11.70	13.50	1
3101769	123ANA042-C	CSPH*4812A**	353AAV036080	41000	12.00	14.00	1
3101770	123ANA042-C	CSPH*4812A**	353AAV048080	41000	12.00	14.00	1
3101771	123ANA042-C	CSPH*4812A**	353AAV060100	41000	12.00	14.00	1
3101772	123ANA042-C	CSPH*4812A**	353AAV060120	41000	12.20	14.50	1
3045892	123ANA042-C	CSPH*4812A**	355(A,C)AV042040	40000	11.20	13.50	1
3045891	123ANA042-C	CSPH*4812A**+TDR		41000	11.00	13.20	1
3045898	123ANA042-C	FE4AN(B,F)003+UI		40500	11.50	14.00	1
3045899	123ANA042-C	FE4AN(B,F)005+UI		42000	11.70	14.50	1
3045900	123ANA042-C	FE4ANB006+UI		42500	12.00	15.00	1
3045901	123ANA042-C	FV4BN(B,F)003		40500	11.50	14.00	1
3045902	123ANA042-C	FV4BN(B,F)005		41500	11.70	14.50	1
3045903	123ANA042-C	FV4BNB006		42500	12.00	15.00	1
3045896	123ANA042-C	FX4CN(B,F)042		41500	11.20	13.50	1
3045897	123ANA042-C	FX4CN(B,F)048		42500	11.50	14.00	1
3045894	123ANA042-C	FY4ANF042		41000	11.00	13.00	1

See notes on page 27

# COMBINATION RATINGS CONTINUED

AHRI Ref. No.	Model Number	Indoor Model	Furnace Model	Capacity	EER	SEER	Phase
3045895	123ANA042-C	FY4ANF048		42000	11.00	13.20	1
3046891	123APA042-C	*CAP**4221A**+TDR		41000	11.00	13.00	3
3046938	123APA042-C	CAP**4221A**	313*AV048090	40500	11.70	14.00	3
3046939	123APA042-C	CAP**4221A**	313*AV060110	40500	12.00	14.00	3
3046893	123APA042-C	CAP**4221A**	315(A,J)AV060110	40500	11.20	13.50	3
3124263	123APA042-C	CAP**4221A**	353AAV060100	40500	12.00	14.00	3
3046892	123APA042-C	CAP**4221A**	355(A,C)AV042080	40000	11.20	13.50	3
3046940	123APA042-C	CAP**4224A**	313*AV060135	40500	11.70	14.00	3
3046896	123APA042-C	CAP**4224A**	315(A,J)AV066135	40500	11.50	14.00	3
3124264	123APA042-C	CAP**4224A**	353AAV060120	40500	12.00	14.00	3
3046895	123APA042-C	CAP**4224A**	355(A,C)AV042040	40000	11.20	13.50	3
3046894	123APA042-C	CAP**4224A**+TDR		41000	11.00	13.00	3
3046941	123APA042-C	CAP**4817A**	313*AV048070	41000	11.50	13.50	3
3046899	123APA042-C	CAP**4817A**	315(A,J)AV048090	40000	11.50	14.00	3
3124265	123APA042-C	CAP**4817A**	353AAV036040	41000	11.70	14.00	3
3124266	123APA042-C	CAP**4817A**	353AAV036060	41000	11.70	13.50	3
3124267	123APA042-C	CAP**4817A**	353AAV036080	41000	12.00	14.00	3
3124268	123APA042-C	CAP**4817A**	353AAV048080	41000	12.00	14.00	3
3046898	123APA042-C	CAP**4817A**	355(A,C)AV042060	40000	11.50	14.00	3
3046897	123APA042-C	CAP**4817A**+TDR		40000	11.00	13.20	3
3046942	123APA042-C	CAP**4821A**	313*AV048090	41000	12.00	14.00	3
3046943	123APA042-C	CAP**4821A**	313*AV060110	41000	12.00	14.00	3
3046902	123APA042-C	CAP**4821A**	315(A,J)AV060110	41000	11.50	14.00	3
3124269	123APA042-C	CAP**4821A**	353AAV060100	41000	12.00	14.00	3
3046901	123APA042-C	CAP**4821A**	355(A,C)AV042080	40500	11.20	13.50	3
3046900	123APA042-C	CAP**4821A**+TDR		41500	11.00	13.20	3
3046944	123APA042-C	CAP**4824A**	313*AV060135	41000	12.00	14.00	3
3046905	123APA042-C	CAP**4824A**	315(A,J)AV066135	41000	11.70	14.50	3
3124270	123APA042-C	CAP**4824A**	353AAV060120	41000	12.20	14.50	3
3046904	123APA042-C	CAP**4824A**	355(A,C)AV042040	41000	11.20	13.50	3
3046903	123APA042-C	CAP**4824A**+TDR		41500	11.00	13.20	3
3046921	123APA042-C	CNPF*4818A**+TDR		41500	11.00	13.20	3
3046950	123APA042-C	CNPH*4221A**	313*AV048070	40000	11.00	13.00	3
3046951	123APA042-C	CNPH*4221A**	313*AV048090	40500	11.70	14.00	3
3046952	123APA042-C	CNPH*4221A**	313*AV060110	40500	11.70	14.00	3
3046953	123APA042-C	CNPH*4221A**	313*AV060135	40500	11.70	14.00	3
3046917	123APA042-C	CNPH*4221A**	315(A,J)AV036070	40500	11.20	13.50	3
3124278	123APA042-C	CNPH*4221A**	353AAV036040	40500	11.70	13.50	3
3124279	123APA042-C	CNPH*4221A**	353AAV036060	40500	11.50	13.50	3
3124280	123APA042-C	CNPH*4221A**	353AAV036080	40500	11.70	13.50	3
3124281	123APA042-C	CNPH*4221A**	353AAV048080	40000	11.70	13.50	3
3124282	123APA042-C	CNPH*4221A**	353AAV060100	40500	12.00	14.00	3
3124283	123APA042-C	CNPH*4221A**	353AAV060120	40500	12.00	14.00	3
3046916	123APA042-C	CNPH*4221A**	355(A,C)AV042040	40000	11.20	13.50	3
3046915	123APA042-C	CNPH*4221A**+TDR		41000	11.00	13.00	3
3046954	123APA042-C	CNPH*4821A**	313*AV048070	41000	11.50	13.50	3
3046955	123APA042-C	CNPH*4821A**	313*AV048090	41000	12.00	14.00	3
3046956	123APA042-C	CNPH*4821A**	313*AV060110	41000	12.00	14.00	3
3046957	123APA042-C	CNPH*4821A**	313*AV060135	41000	12.00	14.00	3
3046920	123APA042-C	CNPH*4821A**	315(A,J)AV036070	41000	11.20	13.50	3
3124284	123APA042-C	CNPH*4821A**	353AAV036040	41000	11.70	14.00	3
3124285	123APA042-C	CNPH*4821A**	353AAV036060	41000	11.70	13.50	3
3124286	123APA042-C	CNPH*4821A**	353AAV036080	41000	12.00	14.00	3
3124287	123APA042-C	CNPH*4821A**	353AAV048080	41000	12.00	14.00	3
3124288	123APA042-C	CNPH*4821A**	353AAV060100	41000	12.00	14.00	3
3124289	123APA042-C	CNPH*4821A**	353AAV060120	41000	12.20	14.50	3
3046919	123APA042-C	CNPH*4821A**	355(A,C)AV042040	40500	11.20	13.50	3
3046918	123APA042-C	CNPH*4821A**+TDR		41500	11.00	13.20	3
3124271	123APA042-C	CNPV*4217A**	353AAV036040	40500	11.70	13.50	3
3124272	123APA042-C	CNPV*4217A**	353AAV036060	40500	11.70	13.50	3
3124273	123APA042-C	CNPV*4217A**	353AAV036080	40500	11.70	13.50	3
3124274	123APA042-C	CNPV*4217A**	353AAV048080	40500	11.70	13.50	3
3046945	123APA042-C	CNPV*4221A**	313*AV048090	40500	11.70	14.00	3
3046946	123APA042-C	CNPV*4221A**	313*AV060110	40500	11.70	14.00	3
3046908	123APA042-C	CNPV*4221A**	315(A,J)AV060110	40000	11.50	14.00	3
3124275	123APA042-C	CNPV*4221A**	353AAV060100	40500	12.00	14.00	3
3046907	123APA042-C	CNPV*4221A**	355(A,C)AV042080	40000	11.20	13.50	3
3046906	123APA042-C	CNPV*4221A**+TDR		41000	11.00	13.00	3
3046947	123APA042-C	CNPV*4821A**	313*AV048090	41000	12.00	14.00	3
3046948	123APA042-C	CNPV*4821A**	313*AV060110	41000	12.00	14.00	3
3046911	123APA042-C	CNPV*4821A**	315(A,J)AV060110	41000	11.50	14.00	3
3124276	123APA042-C	CNPV*4821A**	353AAV060100	41000	12.00	14.00	3
3046910	123APA042-C	CNPV*4821A**	355(A,C)AV042080	40500	11.20	13.50	3
3046909	123APA042-C	CNPV*4821A**+TDR		40500	11.00	13.20	3
3046949	123APA042-C	CNPV*4824A**	313*AV060135	41000	12.00	14.00	3
3046914	123APA042-C	CNPV*4824A**	315(A,J)AV066135	40500	11.70	14.50	3
3124277	123APA042-C	CNPV*4824A**	353AAV060120	41000	12.20	14.50	3
3046913	123APA042-C	CNPV*4824A**	355(A,C)AV042040	41000	11.20	13.50	3
3046912	123APA042-C	CNPV*4824A**+TDR		41500	11.00	13.20	3
3046958	123APA042-C	CSPH*4212A**	313*AV048070	41000	11.50	13.50	3
3046959	123APA042-C	CSPH*4212A**	313*AV048090	41000	12.00	14.00	3
3046960	123APA042-C	CSPH*4212A**	313*AV060110	41000	12.00	14.00	3
3046961	123APA042-C	CSPH*4212A**	313*AV060135	41000	12.00	14.00	3
3046924	123APA042-C	CSPH*4212A**	315(A,J)AV036070	40000	11.20	13.50	3
3124290	123APA042-C	CSPH*4212A**	353AAV036040	40500	11.70	13.50	3
3124291	123APA042-C	CSPH*4212A**	353AAV036060	40500	11.70	13.50	3
3124292	123APA042-C	CSPH*4212A**	353AAV036080	40500	11.70	13.50	3
3124293	123APA042-C	CSPH*4212A**	353AAV048080	40500	11.70	13.50	3

See notes on page 27

# COMBINATION RATINGS CONTINUED

AHRI Ref. No.	Model Number	Indoor Model	Furnace Model	Capacity	EER	SEER	Phase
3124294	123APA042-C	CSPH*4212A**	353AAV060100	40500	12.00	14.00	3
3124295	123APA042-C	CSPH*4212A**	353AAV060120	40500	12.00	14.00	3
3046923	123APA042-C	CSPH*4212A**	355(A,C)AV042040	40000	11.20	13.50	3
3046922	123APA042-C	CSPH*4212A**+TDR		40500	11.00	13.20	3
3046962	123APA042-C	CSPH*4812A**	313*AV048070	41000	11.50	13.50	3
3046963	123APA042-C	CSPH*4812A**	313*AV048090	41500	12.00	14.00	3
3046964	123APA042-C	CSPH*4812A**	313*AV060110	41500	12.00	14.00	3
3046965	123APA042-C	CSPH*4812A**	313*AV060135	41500	12.00	14.00	3
3046927	123APA042-C	CSPH*4812A**	315(A,J)AV036070	40000	11.20	13.50	3
3124296	123APA042-C	CSPH*4812A**	353AAV036040	41000	12.00	14.00	3
3124297	123APA042-C	CSPH*4812A**	353AAV036060	41000	11.70	13.50	3
3124298	123APA042-C	CSPH*4812A**	353AAV036080	41000	12.00	14.00	3
3124299	123APA042-C	CSPH*4812A**	353AAV048080	41000	12.00	14.00	3
3124300	123APA042-C	CSPH*4812A**	353AAV060100	41000	12.00	14.00	3
3124301	123APA042-C	CSPH*4812A**	353AAV060120	41000	12.20	14.50	3
3046926	123APA042-C	CSPH*4812A**	355(A,C)AV042040	40000	11.20	13.50	3
3046925	123APA042-C	CSPH*4812A**+TDR		41000	11.00	13.20	3
3046932	123APA042-C	FE4AN(B,F)003+UI		40500	11.50	14.00	3
3046933	123APA042-C	FE4AN(B,F)005+UI		42000	11.70	14.50	3
3046934	123APA042-C	FE4ANB006+UI		42500	12.00	15.00	3
3046935	123APA042-C	FV4BN(B,F)003		40500	11.50	14.00	3
3046936	123APA042-C	FV4BN(B,F)005		41500	11.70	14.50	3
3046937	123APA042-C	FV4BNB006		42500	12.00	15.00	3
3046930	123APA042-C	FX4CN(B,F)042		41500	11.20	13.50	3
3046931	123APA042-C	FX4CN(B,F)048		42500	11.50	14.00	3
3046928	123APA042-C	FY4ANF042		41000	11.00	13.00	3
3046929	123APA042-C	FY4ANF048		42000	11.00	13.20	3
3046966	123AEA042-C	*CAP**4221A**+TDR		41000	11.00	13.00	3
3047013	123AEA042-C	CAP**4221A**	313*AV048090	40500	11.70	14.00	3
3047014	123AEA042-C	CAP**4221A**	313*AV060110	40500	12.00	14.00	3
3046968	123AEA042-C	CAP**4221A**	315(A,J)AV060110	40500	11.20	13.50	3
3124367	123AEA042-C	CAP**4221A**	353AAV060100	40500	12.00	14.00	3
3046967	123AEA042-C	CAP**4221A**	355(A,C)AV042080	40000	11.20	13.50	3
3047015	123AEA042-C	CAP**4224A**	313*AV060135	40500	11.70	14.00	3
3046971	123AEA042-C	CAP**4224A**	315(A,J)AV066135	40500	11.50	14.00	3
3124368	123AEA042-C	CAP**4224A**	353AAV060120	40500	12.00	14.00	3
3046970	123AEA042-C	CAP**4224A**	355(A,C)AV042040	40000	11.20	13.50	3
3046969	123AEA042-C	CAP**4224A**+TDR		41000	11.00	13.00	3
3047016	123AEA042-C	CAP**4817A**	313*AV048070	41000	11.50	13.50	3
3046974	123AEA042-C	CAP**4817A**	315(A,J)AV048090	40000	11.50	14.00	3
3124369	123AEA042-C	CAP**4817A**	353AAV036040	41000	11.70	14.00	3
3124370	123AEA042-C	CAP**4817A**	353AAV036060	41000	11.70	13.50	3
3124371	123AEA042-C	CAP**4817A**	353AAV036080	41000	12.00	14.00	3
3124372	123AEA042-C	CAP**4817A**	353AAV048080	41000	12.00	14.00	3
3046973	123AEA042-C	CAP**4817A**	355(A,C)AV042060	40000	11.50	14.00	3
3046972	123AEA042-C	CAP**4817A**+TDR		40000	11.00	13.20	3
3047017	123AEA042-C	CAP**4821A**	313*AV048090	41000	12.00	14.00	3
3047018	123AEA042-C	CAP**4821A**	313*AV060110	41000	12.00	14.00	3
3046977	123AEA042-C	CAP**4821A**	315(A,J)AV060110	41000	11.50	14.00	3
3124373	123AEA042-C	CAP**4821A**	353AAV060100	41000	12.00	14.00	3
3046976	123AEA042-C	CAP**4821A**	355(A,C)AV042080	40500	11.20	13.50	3
3046975	123AEA042-C	CAP**4821A**+TDR		41500	11.00	13.20	3
3047019	123AEA042-C	CAP**4824A**	313*AV060135	41000	12.00	14.00	3
3046980	123AEA042-C	CAP**4824A**	315(A,J)AV066135	41000	11.70	14.50	3
3124374	123AEA042-C	CAP**4824A**	353AAV060120	41000	12.20	14.50	3
3046979	123AEA042-C	CAP**4824A**	355(A,C)AV042040	41000	11.20	13.50	3
3046978	123AEA042-C	CAP**4824A**+TDR		41500	11.00	13.20	3
3046996	123AEA042-C	CNPF*4818A**+TDR		41500	11.00	13.20	3
3047025	123AEA042-C	CNPH*4221A**	313*AV048070	40000	11.00	13.00	3
3047026	123AEA042-C	CNPH*4221A**	313*AV048090	40500	11.70	14.00	3
3047027	123AEA042-C	CNPH*4221A**	313*AV060110	40500	11.70	14.00	3
3047028	123AEA042-C	CNPH*4221A**	313*AV060135	40500	11.70	14.00	3
3046992	123AEA042-C	CNPH*4221A**	315(A,J)AV036070	40500	11.20	13.50	3
3124382	123AEA042-C	CNPH*4221A**	353AAV036040	40500	11.70	13.50	3
3124383	123AEA042-C	CNPH*4221A**	353AAV036060	40500	11.50	13.50	3
3124384	123AEA042-C	CNPH*4221A**	353AAV036080	40500	11.70	13.50	3
3124385	123AEA042-C	CNPH*4221A**	353AAV048080	40000	11.70	13.50	3
3124386	123AEA042-C	CNPH*4221A**	353AAV060100	40500	12.00	14.00	3
3124387	123AEA042-C	CNPH*4221A**	353AAV060120	40500	12.00	14.00	3
3046991	123AEA042-C	CNPH*4221A**	355(A,C)AV042040	40000	11.20	13.50	3
3046990	123AEA042-C	CNPH*4221A**+TDR		41000	11.00	13.00	3
3047029	123AEA042-C	CNPH*4821A**	313*AV048070	41000	11.50	13.50	3
3047030	123AEA042-C	CNPH*4821A**	313*AV048090	41000	12.00	14.00	3
3047031	123AEA042-C	CNPH*4821A**	313*AV060110	41000	12.00	14.00	3
3047032	123AEA042-C	CNPH*4821A**	313*AV060135	41000	12.00	14.00	3
3046995	123AEA042-C	CNPH*4821A**	315(A,J)AV036070	41000	11.20	13.50	3
3124388	123AEA042-C	CNPH*4821A**	353AAV036040	41000	11.70	14.00	3
3124389	123AEA042-C	CNPH*4821A**	353AAV036060	41000	11.70	13.50	3
3124390	123AEA042-C	CNPH*4821A**	353AAV036080	41000	12.00	14.00	3
3124391	123AEA042-C	CNPH*4821A**	353AAV048080	41000	12.00	14.00	3
3124392	123AEA042-C	CNPH*4821A**	353AAV060100	41000	12.00	14.00	3
3124393	123AEA042-C	CNPH*4821A**	353AAV060120	41000	12.20	14.50	3
3046994	123AEA042-C	CNPH*4821A**	355(A,C)AV042040	40500	11.20	13.50	3
3046993	123AEA042-C	CNPH*4821A**+TDR		41500	11.00	13.20	3
3124375	123AEA042-C	CNPV*4217A**	353AAV036040	40500	11.70	13.50	3
3124376	123AEA042-C	CNPV*4217A**	353AAV036060	40500	11.70	13.50	3
3124377	123AEA042-C	CNPV*4217A**	353AAV036080	40500	11.70	13.50	3
3124378	123AEA042-C	CNPV*4217A**	353AAV048080	40500	11.70	13.50	3

123A

See notes on page 27

# COMBINATION RATINGS CONTINUED

123A

AHRI Ref. No.	Model Number	Indoor Model	Furnace Model	Capacity	EER	SEER	Phase
3047020	123AEA042-C	CNPV*4221A**	313*AV048090	40500	11.70	14.00	3
3047021	123AEA042-C	CNPV*4221A**	313*AV060110	40500	11.70	14.00	3
3046983	123AEA042-C	CNPV*4221A**	315(A,J)AV060110	40000	11.50	14.00	3
3124379	123AEA042-C	CNPV*4221A**	353AAV060100	40500	12.00	14.00	3
3046982	123AEA042-C	CNPV*4221A**	355(A,C)AV042080	40000	11.20	13.50	3
3046981	123AEA042-C	CNPV*4221A**+TDR		41000	11.00	13.00	3
3047022	123AEA042-C	CNPV*4821A**	313*AV048090	41000	12.00	14.00	3
3047023	123AEA042-C	CNPV*4821A**	313*AV060110	41000	12.00	14.00	3
3046986	123AEA042-C	CNPV*4821A**	315(A,J)AV060110	41000	11.50	14.00	3
3124380	123AEA042-C	CNPV*4821A**	353AAV060100	41000	12.00	14.00	3
3046985	123AEA042-C	CNPV*4821A**	355(A,C)AV042080	40500	11.20	13.50	3
3046984	123AEA042-C	CNPV*4821A**+TDR		40500	11.00	13.20	3
3047024	123AEA042-C	CNPV*4824A**	313*AV060135	41000	12.00	14.00	3
3046989	123AEA042-C	CNPV*4824A**	315(A,J)AV066135	40500	11.70	14.50	3
3124381	123AEA042-C	CNPV*4824A**	353AAV060120	41000	12.20	14.50	3
3046988	123AEA042-C	CNPV*4824A**	355(A,C)AV042040	41000	11.20	13.50	3
3046987	123AEA042-C	CNPV*4824A**+TDR		41500	11.00	13.20	3
3047033	123AEA042-C	CSPH*4212A**	313*AV048070	41000	11.50	13.50	3
3047034	123AEA042-C	CSPH*4212A**	313*AV048090	41000	12.00	14.00	3
3047035	123AEA042-C	CSPH*4212A**	313*AV060110	41000	12.00	14.00	3
3047036	123AEA042-C	CSPH*4212A**	313*AV060135	41000	12.00	14.00	3
3046999	123AEA042-C	CSPH*4212A**	315(A,J)AV036070	40000	11.20	13.50	3
3124394	123AEA042-C	CSPH*4212A**	353AAV036040	40500	11.70	13.50	3
3124395	123AEA042-C	CSPH*4212A**	353AAV036060	40500	11.70	13.50	3
3124396	123AEA042-C	CSPH*4212A**	353AAV036080	40500	11.70	13.50	3
3124397	123AEA042-C	CSPH*4212A**	353AAV048080	40500	11.70	13.50	3
3124398	123AEA042-C	CSPH*4212A**	353AAV060100	40500	12.00	14.00	3
3124399	123AEA042-C	CSPH*4212A**	353AAV060120	40500	12.00	14.00	3
3046998	123AEA042-C	CSPH*4212A**	355(A,C)AV042040	40000	11.20	13.50	3
3046997	123AEA042-C	CSPH*4212A**+TDR		40500	11.00	13.20	3
3047037	123AEA042-C	CSPH*4812A**	313*AV048070	41000	11.50	13.50	3
3047038	123AEA042-C	CSPH*4812A**	313*AV048090	41500	12.00	14.00	3
3047039	123AEA042-C	CSPH*4812A**	313*AV060110	41500	12.00	14.00	3
3047040	123AEA042-C	CSPH*4812A**	313*AV060135	41500	12.00	14.00	3
3047002	123AEA042-C	CSPH*4812A**	315(A,J)AV036070	40000	11.20	13.50	3
3124400	123AEA042-C	CSPH*4812A**	353AAV036040	41000	12.00	14.00	3
3124401	123AEA042-C	CSPH*4812A**	353AAV036060	41000	11.70	13.50	3
3124402	123AEA042-C	CSPH*4812A**	353AAV036080	41000	12.00	14.00	3
3124403	123AEA042-C	CSPH*4812A**	353AAV048080	41000	12.00	14.00	3
3124404	123AEA042-C	CSPH*4812A**	353AAV060100	41000	12.00	14.00	3
3124405	123AEA042-C	CSPH*4812A**	353AAV060120	41000	12.20	14.50	3
3047001	123AEA042-C	CSPH*4812A**	355(A,C)AV042040	40000	11.20	13.50	3
3047000	123AEA042-C	CSPH*4812A**+TDR		41000	11.00	13.20	3
3047007	123AEA042-C	FE4AN(B,F)003+UI		40500	11.50	14.00	3
3047008	123AEA042-C	FE4AN(B,F)005+UI		42000	11.70	14.50	3
3047009	123AEA042-C	FE4ANB006+UI		42500	12.00	15.00	3
3047010	123AEA042-C	FV4BN(B,F)003		40500	11.50	14.00	3
3047011	123AEA042-C	FV4BN(B,F)005		41500	11.70	14.50	3
3047012	123AEA042-C	FV4BNB006		42500	12.00	15.00	3
3047005	123AEA042-C	FX4CN(B,F)042		41500	11.20	13.50	3
3047006	123AEA042-C	FX4CN(B,F)048		42500	11.50	14.00	3
3047003	123AEA042-C	FY4ANF042		41000	11.00	13.00	3
3047004	123AEA042-C	FY4ANF048		42000	11.00	13.20	3
3045939	123ANA048-C	*CAP**4821A**+TDR		46000	11.00	13.00	1
3045941	123ANA048-C	CAP**4817A**	315(A,J)AV048090	45500	11.20	13.50	1
3101773	123ANA048-C	CAP**4817A**	353AAV048080	45500	11.20	13.20	1
3045940	123ANA048-C	CAP**4817A**+TDR		45500	11.00	13.00	1
3045991	123ANA048-C	CAP**4821A**	313*AV048090	45000	11.50	13.50	1
3045992	123ANA048-C	CAP**4821A**	313*AV060110	45000	11.70	13.50	1
3045944	123ANA048-C	CAP**4821A**	315(A,J)AV060110	45000	11.20	13.50	1
3101774	123ANA048-C	CAP**4821A**	353AAV060100	45000	11.50	13.50	1
3045942	123ANA048-C	CAP**4821A**	355(A,C)AV060080	45000	11.00	13.20	1
3045943	123ANA048-C	CAP**4821A**	355(A,C)AV060100	45000	11.40	13.65	1
3045993	123ANA048-C	CAP**4824A**	313*AV060135	45000	11.20	13.50	1
3045947	123ANA048-C	CAP**4824A**	315(A,J)AV066135	45500	11.20	13.50	1
3101775	123ANA048-C	CAP**4824A**	353AAV060120	45500	11.50	13.50	1
3045946	123ANA048-C	CAP**4824A**	355(A,C)AV060120	45000	11.20	13.50	1
3045945	123ANA048-C	CAP**4824A**+TDR		46000	11.00	13.00	1
3045994	123ANA048-C	CAP**6021A**	313*AV048090	46500	11.70	13.50	1
3045995	123ANA048-C	CAP**6021A**	313*AV060110	46500	12.00	14.00	1
3045950	123ANA048-C	CAP**6021A**	315(A,J)AV060110	47500	11.20	13.50	1
3101776	123ANA048-C	CAP**6021A**	353AAV060100	46000	11.70	14.00	1
3045949	123ANA048-C	CAP**6021A**	355(A,C)AV060080	46000	11.20	13.50	1
3045948	123ANA048-C	CAP**6021A**+TDR		47000	11.00	13.20	1
3045996	123ANA048-C	CAP**6024A**	313*AV060135	46000	11.70	14.00	1
3045953	123ANA048-C	CAP**6024A**	315(A,J)AV066135	46500	11.50	14.00	1
3101777	123ANA048-C	CAP**6024A**	353AAV060120	46000	11.70	14.00	1
3045952	123ANA048-C	CAP**6024A**	355(A,C)AV060120	46000	11.50	14.00	1
3045951	123ANA048-C	CAP**6024A**+TDR		47000	11.00	13.20	1
3045976	123ANA048-C	CNPF*4818A**+TDR		45000	11.00	13.00	1
3046001	123ANA048-C	CNPH*4821A**	313*AV048090	45500	11.50	13.50	1
3046002	123ANA048-C	CNPH*4821A**	313*AV060110	45500	11.70	13.50	1
3046003	123ANA048-C	CNPH*4821A**	313*AV060135	45500	11.50	13.20	1
3045969	123ANA048-C	CNPH*4821A**	315(A,J)AV048090	45000	11.20	13.50	1
3045970	123ANA048-C	CNPH*4821A**	315(A,J)AV060110	45500	11.20	13.50	1
3101781	123ANA048-C	CNPH*4821A**	353AAV048080	45500	11.20	13.20	1
3101782	123ANA048-C	CNPH*4821A**	353AAV060100	45000	11.50	13.50	1
3101783	123ANA048-C	CNPH*4821A**	353AAV060120	45500	11.50	13.50	1

See notes on page 27

# COMBINATION RATINGS CONTINUED

AHRI Ref. No.	Model Number	Indoor Model	Furnace Model	Capacity	EER	SEER	Phase
3045967	123ANA048-C	CNPH*4821A**	355(A,C)AV060080	45000	11.00	13.20	1
3045968	123ANA048-C	CNPH*4821A**	355(A,C)AV060100	45000	11.20	13.50	1
3045966	123ANA048-C	CNPH*4821A**+TDR		46000	11.00	13.00	1
3046004	123ANA048-C	CNPH*6024A**	313*AV048070	45500	11.00	13.00	1
3046005	123ANA048-C	CNPH*6024A**	313*AV048090	46000	11.70	13.50	1
3046006	123ANA048-C	CNPH*6024A**	313*AV060110	46000	11.70	14.00	1
3046007	123ANA048-C	CNPH*6024A**	313*AV060135	46000	11.70	14.00	1
3045974	123ANA048-C	CNPH*6024A**	315(A,J)AV048090	46000	11.20	13.50	1
3045975	123ANA048-C	CNPH*6024A**	315(A,J)AV060110	46000	11.20	13.50	1
3101784	123ANA048-C	CNPH*6024A**	353AAV048080	46000	11.50	13.50	1
3101785	123ANA048-C	CNPH*6024A**	353AAV060100	46000	11.70	14.00	1
3101786	123ANA048-C	CNPH*6024A**	353AAV060120	46000	11.70	14.00	1
3045972	123ANA048-C	CNPH*6024A**	355(A,C)AV060080	46000	11.20	13.50	1
3045973	123ANA048-C	CNPH*6024A**	355(A,C)AV060100	46000	11.20	13.50	1
3045971	123ANA048-C	CNPH*6024A**+TDR		47000	11.00	13.20	1
3045956	123ANA048-C	CNPV*4221A**	315(A,J)AV060110	44500	11.20	13.50	1
3045955	123ANA048-C	CNPV*4221A**	355(A,C)AV060080	44500	11.00	13.20	1
3045954	123ANA048-C	CNPV*4221A**+TDR		44500	10.95	13.00	1
3045997	123ANA048-C	CNPV*4821A**	313*AV048090	45500	11.50	13.50	1
3045998	123ANA048-C	CNPV*4821A**	313*AV060110	45500	11.70	13.50	1
3045959	123ANA048-C	CNPV*4821A**	315(A,J)AV060110	45000	11.20	13.50	1
3101778	123ANA048-C	CNPV*4821A**	353AAV060100	45000	11.50	13.50	1
3045958	123ANA048-C	CNPV*4821A**	355(A,C)AV060080	45000	11.00	13.20	1
3045957	123ANA048-C	CNPV*4821A**+TDR		46000	11.00	13.00	1
3045999	123ANA048-C	CNPV*4824A**	313*AV060135	45500	11.20	13.50	1
3045962	123ANA048-C	CNPV*4824A**	315(A,J)AV066135	45500	11.20	13.50	1
3101779	123ANA048-C	CNPV*4824A**	353AAV060120	45500	11.50	13.50	1
3045961	123ANA048-C	CNPV*4824A**	355(A,C)AV060120	45500	11.20	13.50	1
3045960	123ANA048-C	CNPV*4824A**+TDR		46000	11.00	13.00	1
3046000	123ANA048-C	CNPV*6024A**	313*AV060135	46000	11.70	14.00	1
3045965	123ANA048-C	CNPV*6024A**	315(A,J)AV066135	46000	11.50	14.00	1
3101780	123ANA048-C	CNPV*6024A**	353AAV060120	46000	11.70	14.00	1
3045964	123ANA048-C	CNPV*6024A**	355(A,C)AV060120	46000	11.20	13.50	1
3045963	123ANA048-C	CNPV*6024A**+TDR		47000	11.00	13.20	1
3046008	123ANA048-C	CSPH*4812A**	313*AV048090	45500	11.50	13.50	1
3046009	123ANA048-C	CSPH*4812A**	313*AV060110	45500	11.70	13.50	1
3046010	123ANA048-C	CSPH*4812A**	313*AV060135	45500	11.20	13.50	1
3045979	123ANA048-C	CSPH*4812A**	315(A,J)AV048090	44500	11.20	13.50	1
3101787	123ANA048-C	CSPH*4812A**	353AAV048080	45500	11.20	13.20	1
3101788	123ANA048-C	CSPH*4812A**	353AAV060100	45000	11.50	13.50	1
3101789	123ANA048-C	CSPH*4812A**	353AAV060120	45500	11.50	13.50	1
3045978	123ANA048-C	CSPH*4812A**	355(A,C)AV060080	44500	11.00	13.20	1
3045977	123ANA048-C	CSPH*4812A**+TDR		45500	11.00	13.00	1
3046011	123ANA048-C	CSPH*6012A**	313*AV048070	46000	11.00	13.00	1
3046012	123ANA048-C	CSPH*6012A**	313*AV048090	46000	11.70	14.00	1
3046013	123ANA048-C	CSPH*6012A**	313*AV060110	46000	12.00	14.00	1
3046014	123ANA048-C	CSPH*6012A**	313*AV060135	46000	11.70	14.00	1
3045982	123ANA048-C	CSPH*6012A**	315(A,J)AV048090	45000	11.20	13.50	1
3101790	123ANA048-C	CSPH*6012A**	353AAV048080	46000	11.50	13.50	1
3101791	123ANA048-C	CSPH*6012A**	353AAV060100	46000	11.70	14.00	1
3101792	123ANA048-C	CSPH*6012A**	353AAV060120	46000	11.70	14.00	1
3045981	123ANA048-C	CSPH*6012A**	355(A,C)AV060080	45000	11.20	13.50	1
3045980	123ANA048-C	CSPH*6012A**+TDR		46000	11.00	13.20	1
3045985	123ANA048-C	FE4AN(B,F)005+UI		46500	11.50	14.00	1
3045986	123ANA048-C	FE4ANB006+UI		47000	11.70	14.50	1
3045987	123ANA048-C	FV4BN(B,F)005		46500	11.50	14.00	1
3045988	123ANA048-C	FV4BNB006		47000	11.70	14.50	1
3045983	123ANA048-C	FX4CN(B,F)048		47000	11.20	13.50	1
3045984	123ANA048-C	FX4CN(B,F)060		47500	11.50	14.00	1
3045990	123ANA048-C	FY4ANB060		46500	11.00	13.20	1
3045989	123ANA048-C	FY4ANF048		46000	11.00	13.00	1
3047041	123APA048-C	*CAP**4821A**+TDR		46000	11.00	13.00	3
3047043	123APA048-C	CAP**4817A**	315(A,J)AV048090	45500	11.20	13.50	3
3124302	123APA048-C	CAP**4817A**	353AAV048080	45500	11.20	13.20	3
3047042	123APA048-C	CAP**4817A**+TDR		45500	11.00	13.00	3
3047093	123APA048-C	CAP**4821A**	313*AV048090	45000	11.50	13.50	3
3047094	123APA048-C	CAP**4821A**	313*AV060110	45000	11.70	13.50	3
3047046	123APA048-C	CAP**4821A**	315(A,J)AV060110	45000	11.20	13.50	3
3124303	123APA048-C	CAP**4821A**	353AAV060100	45000	11.50	13.50	3
3047044	123APA048-C	CAP**4821A**	355(A,C)AV060080	45000	11.00	13.20	3
3047045	123APA048-C	CAP**4821A**	355(A,C)AV060100	45000	11.40	13.65	3
3047095	123APA048-C	CAP**4824A**	313*AV060135	45000	11.20	13.50	3
3047049	123APA048-C	CAP**4824A**	315(A,J)AV066135	45500	11.20	13.50	3
3124304	123APA048-C	CAP**4824A**	353AAV060120	45500	11.50	13.50	3
3047048	123APA048-C	CAP**4824A**	355(A,C)AV060120	45000	11.20	13.50	3
3047047	123APA048-C	CAP**4824A**+TDR		46000	11.00	13.00	3
3047096	123APA048-C	CAP**6021A**	313*AV048090	46500	11.70	13.50	3
3047097	123APA048-C	CAP**6021A**	313*AV060110	46500	12.00	14.00	3
3047052	123APA048-C	CAP**6021A**	315(A,J)AV060110	47500	11.20	13.50	3
3124305	123APA048-C	CAP**6021A**	353AAV060100	46000	11.70	14.00	3
3047051	123APA048-C	CAP**6021A**	355(A,C)AV060080	46000	11.20	13.50	3
3047050	123APA048-C	CAP**6021A**+TDR		47000	11.00	13.20	3
3047098	123APA048-C	CAP**6024A**	313*AV060135	46000	11.70	14.00	3
3047055	123APA048-C	CAP**6024A**	315(A,J)AV066135	46500	11.50	14.00	3
3124306	123APA048-C	CAP**6024A**	353AAV060120	46000	11.70	14.00	3
3047054	123APA048-C	CAP**6024A**	355(A,C)AV060120	46000	11.50	14.00	3
3047053	123APA048-C	CAP**6024A**+TDR		47000	11.00	13.20	3
3047078	123APA048-C	CNPF*4818A**+TDR		45000	11.00	13.00	3

See notes on page 27

# COMBINATION RATINGS CONTINUED

AHRI Ref. No.	Model Number	Indoor Model	Furnace Model	Capacity	EER	SEER	Phase
3047103	123APA048-C	CNPH*4821A**	313*AV048090	45500	11.50	13.50	3
3047104	123APA048-C	CNPH*4821A**	313*AV060110	45500	11.70	13.50	3
3047105	123APA048-C	CNPH*4821A**	313*AV060135	45500	11.50	13.20	3
3047071	123APA048-C	CNPH*4821A**	315(A,J)AV048090	45000	11.20	13.50	3
3047072	123APA048-C	CNPH*4821A**	315(A,J)AV060110	45500	11.20	13.50	3
3124310	123APA048-C	CNPH*4821A**	353AAV048080	45500	11.20	13.20	3
3124311	123APA048-C	CNPH*4821A**	353AAV060100	45000	11.50	13.50	3
3124312	123APA048-C	CNPH*4821A**	353AAV060120	45500	11.50	13.50	3
3047069	123APA048-C	CNPH*4821A**	355(A,C)AV060080	45000	11.00	13.20	3
3047070	123APA048-C	CNPH*4821A**	355(A,C)AV060100	45000	11.20	13.50	3
3047068	123APA048-C	CNPH*4821A**+TDR		46000	11.00	13.00	3
3047106	123APA048-C	CNPH*6024A**	313*AV048070	45500	11.00	13.00	3
3047107	123APA048-C	CNPH*6024A**	313*AV048090	46000	11.70	13.50	3
3047108	123APA048-C	CNPH*6024A**	313*AV060110	46000	11.70	14.00	3
3047109	123APA048-C	CNPH*6024A**	313*AV060135	46000	11.70	14.00	3
3047076	123APA048-C	CNPH*6024A**	315(A,J)AV048090	46000	11.20	13.50	3
3047077	123APA048-C	CNPH*6024A**	315(A,J)AV060110	46000	11.20	13.50	3
3124313	123APA048-C	CNPH*6024A**	353AAV048080	46000	11.50	13.50	3
3124314	123APA048-C	CNPH*6024A**	353AAV060100	46000	11.70	14.00	3
3124315	123APA048-C	CNPH*6024A**	353AAV060120	46000	11.70	14.00	3
3047074	123APA048-C	CNPH*6024A**	355(A,C)AV060080	46000	11.20	13.50	3
3047075	123APA048-C	CNPH*6024A**	355(A,C)AV060100	46000	11.20	13.50	3
3047073	123APA048-C	CNPH*6024A**+TDR		47000	11.00	13.20	3
3047058	123APA048-C	CNPV*4221A**	315(A,J)AV060110	44500	11.20	13.50	3
3047057	123APA048-C	CNPV*4221A**	355(A,C)AV060080	44500	11.00	13.20	3
3047056	123APA048-C	CNPV*4221A**+TDR		44500	10.95	13.00	3
3047099	123APA048-C	CNPV*4821A**	313*AV048090	45500	11.50	13.50	3
3047100	123APA048-C	CNPV*4821A**	313*AV060110	45500	11.70	13.50	3
3047061	123APA048-C	CNPV*4821A**	315(A,J)AV060110	45000	11.20	13.50	3
3124307	123APA048-C	CNPV*4821A**	353AAV060100	45000	11.50	13.50	3
3047060	123APA048-C	CNPV*4821A**	355(A,C)AV060080	45000	11.00	13.20	3
3047059	123APA048-C	CNPV*4821A**+TDR		46000	11.00	13.00	3
3047101	123APA048-C	CNPV*4824A**	313*AV060135	45500	11.20	13.50	3
3047064	123APA048-C	CNPV*4824A**	315(A,J)AV066135	45500	11.20	13.50	3
3124308	123APA048-C	CNPV*4824A**	353AAV060120	45500	11.50	13.50	3
3047063	123APA048-C	CNPV*4824A**	355(A,C)AV060120	45500	11.20	13.50	3
3047062	123APA048-C	CNPV*4824A**+TDR		46000	11.00	13.00	3
3047102	123APA048-C	CNPV*6024A**	313*AV060135	46000	11.70	14.00	3
3047067	123APA048-C	CNPV*6024A**	315(A,J)AV066135	46000	11.50	14.00	3
3124309	123APA048-C	CNPV*6024A**	353AAV060120	46000	11.70	14.00	3
3047066	123APA048-C	CNPV*6024A**	355(A,C)AV060120	46000	11.20	13.50	3
3047065	123APA048-C	CNPV*6024A**+TDR		47000	11.00	13.20	3
3047110	123APA048-C	CSPH*4812A**	313*AV048090	45500	11.50	13.50	3
3047111	123APA048-C	CSPH*4812A**	313*AV060110	45500	11.70	13.50	3
3047112	123APA048-C	CSPH*4812A**	313*AV060135	45500	11.20	13.50	3
3047081	123APA048-C	CSPH*4812A**	315(A,J)AV048090	44500	11.20	13.50	3
3124316	123APA048-C	CSPH*4812A**	353AAV048080	45500	11.20	13.20	3
3124317	123APA048-C	CSPH*4812A**	353AAV060100	45000	11.50	13.50	3
3124318	123APA048-C	CSPH*4812A**	353AAV060120	45500	11.50	13.50	3
3047080	123APA048-C	CSPH*4812A**	355(A,C)AV060080	44500	11.00	13.20	3
3047079	123APA048-C	CSPH*4812A**+TDR		45500	11.00	13.00	3
3047113	123APA048-C	CSPH*6012A**	313*AV048070	46000	11.00	13.00	3
3047114	123APA048-C	CSPH*6012A**	313*AV048090	46000	11.70	14.00	3
3047115	123APA048-C	CSPH*6012A**	313*AV060110	46000	12.00	14.00	3
3047116	123APA048-C	CSPH*6012A**	313*AV060135	46000	11.70	14.00	3
3047084	123APA048-C	CSPH*6012A**	315(A,J)AV048090	45000	11.20	13.50	3
3124319	123APA048-C	CSPH*6012A**	353AAV048080	46000	11.50	13.50	3
3124320	123APA048-C	CSPH*6012A**	353AAV060100	46000	11.70	14.00	3
3124321	123APA048-C	CSPH*6012A**	353AAV060120	46000	11.70	14.00	3
3047083	123APA048-C	CSPH*6012A**	355(A,C)AV060080	45000	11.20	13.50	3
3047082	123APA048-C	CSPH*6012A**+TDR		46000	11.00	13.20	3
3047087	123APA048-C	FE4AN(B,F)005+UI		46500	11.50	14.00	3
3047088	123APA048-C	FE4ANB006+UI		47000	11.70	14.50	3
3047089	123APA048-C	FV4BN(B,F)005		46500	11.50	14.00	3
3047090	123APA048-C	FV4BNB006		47000	11.70	14.50	3
3047085	123APA048-C	FX4CN(B,F)048		47000	11.20	13.50	3
3047086	123APA048-C	FX4CN(B,F)060		47500	11.50	14.00	3
3047092	123APA048-C	FY4ANB060		46500	11.00	13.20	3
3047091	123APA048-C	FY4ANF048		46000	11.00	13.00	3
3047117	123AEA048-C	*CAP**4821A**+TDR		46000	11.00	13.00	3
3047119	123AEA048-C	CAP**4817A**	315(A,J)AV048090	45500	11.20	13.50	3
3124406	123AEA048-C	CAP**4817A**	353AAV048080	45500	11.20	13.20	3
3047118	123AEA048-C	CAP**4817A**+TDR		45500	11.00	13.00	3
3047169	123AEA048-C	CAP**4821A**	313*AV048090	45000	11.50	13.50	3
3047170	123AEA048-C	CAP**4821A**	313*AV060110	45000	11.70	13.50	3
3047122	123AEA048-C	CAP**4821A**	315(A,J)AV060110	45000	11.20	13.50	3
3124407	123AEA048-C	CAP**4821A**	353AAV060100	45000	11.50	13.50	3
3047120	123AEA048-C	CAP**4821A**	355(A,C)AV060080	45000	11.00	13.20	3
3047121	123AEA048-C	CAP**4821A**	355(A,C)AV060100	45000	11.40	13.65	3
3047171	123AEA048-C	CAP**4824A**	313*AV060135	45000	11.20	13.50	3
3047125	123AEA048-C	CAP**4824A**	315(A,J)AV066135	45500	11.20	13.50	3
3124408	123AEA048-C	CAP**4824A**	353AAV060120	45500	11.50	13.50	3
3047124	123AEA048-C	CAP**4824A**	355(A,C)AV060120	45000	11.20	13.50	3
3047123	123AEA048-C	CAP**4824A**+TDR		46000	11.00	13.00	3
3047172	123AEA048-C	CAP**6021A**	313*AV048090	46500	11.70	13.50	3
3047173	123AEA048-C	CAP**6021A**	313*AV060110	46500	12.00	14.00	3
3047128	123AEA048-C	CAP**6021A**	315(A,J)AV060110	47500	11.20	13.50	3
3124409	123AEA048-C	CAP**6021A**	353AAV060100	46000	11.70	14.00	3

See notes on page 27



# COMBINATION RATINGS CONTINUED

AHRI Ref. No.	Model Number	Indoor Model	Furnace Model	Capacity	EER	SEER	Phase
3047127	123AEA048-C	CAP**6021A**	355(A,C)AV060080	46000	11.20	13.50	3
3047126	123AEA048-C	CAP**6021A**+TDR		47000	11.00	13.20	3
3047174	123AEA048-C	CAP**6024A**	313*AV060135	46000	11.70	14.00	3
3047131	123AEA048-C	CAP**6024A**	315(A,J)AV066135	46500	11.50	14.00	3
3124410	123AEA048-C	CAP**6024A**	353AAV060120	46000	11.70	14.00	3
3047130	123AEA048-C	CAP**6024A**	355(A,C)AV060120	46000	11.50	14.00	3
3047129	123AEA048-C	CAP**6024A**+TDR		47000	11.00	13.20	3
3047154	123AEA048-C	CNPF*4818A**+TDR		45000	11.00	13.00	3
3047179	123AEA048-C	CNPH*4821A**	313*AV048090	45500	11.50	13.50	3
3047180	123AEA048-C	CNPH*4821A**	313*AV060110	45500	11.70	13.50	3
3047181	123AEA048-C	CNPH*4821A**	313*AV060135	45500	11.50	13.20	3
3047147	123AEA048-C	CNPH*4821A**	315(A,J)AV048090	45000	11.20	13.50	3
3047148	123AEA048-C	CNPH*4821A**	315(A,J)AV060110	45500	11.20	13.50	3
3124414	123AEA048-C	CNPH*4821A**	353AAV048080	45000	11.20	13.20	3
3124415	123AEA048-C	CNPH*4821A**	353AAV060100	45000	11.50	13.50	3
3124416	123AEA048-C	CNPH*4821A**	353AAV060120	45500	11.50	13.50	3
3047145	123AEA048-C	CNPH*4821A**	355(A,C)AV060080	45000	11.00	13.20	3
3047146	123AEA048-C	CNPH*4821A**	355(A,C)AV060100	45000	11.20	13.50	3
3047144	123AEA048-C	CNPH*4821A**+TDR		46000	11.00	13.00	3
3047182	123AEA048-C	CNPH*6024A**	313*AV048070	45500	11.00	13.00	3
3047183	123AEA048-C	CNPH*6024A**	313*AV048090	46000	11.70	13.50	3
3047184	123AEA048-C	CNPH*6024A**	313*AV060110	46000	11.70	14.00	3
3047185	123AEA048-C	CNPH*6024A**	313*AV060135	46000	11.70	14.00	3
3047152	123AEA048-C	CNPH*6024A**	315(A,J)AV048090	46000	11.20	13.50	3
3047153	123AEA048-C	CNPH*6024A**	315(A,J)AV060110	46000	11.20	13.50	3
3124417	123AEA048-C	CNPH*6024A**	353AAV048080	46000	11.50	13.50	3
3124418	123AEA048-C	CNPH*6024A**	353AAV060100	46000	11.70	14.00	3
3124419	123AEA048-C	CNPH*6024A**	353AAV060120	46000	11.70	14.00	3
3047150	123AEA048-C	CNPH*6024A**	355(A,C)AV060080	46000	11.20	13.50	3
3047151	123AEA048-C	CNPH*6024A**	355(A,C)AV060100	46000	11.20	13.50	3
3047149	123AEA048-C	CNPH*6024A**+TDR		47000	11.00	13.20	3
3047134	123AEA048-C	CNPV*4221A**	315(A,J)AV060110	44500	11.20	13.50	3
3047133	123AEA048-C	CNPV*4221A**	355(A,C)AV060080	44500	11.00	13.20	3
3047132	123AEA048-C	CNPV*4221A**+TDR		44500	10.95	13.00	3
3047175	123AEA048-C	CNPV*4821A**	313*AV048090	45500	11.50	13.50	3
3047176	123AEA048-C	CNPV*4821A**	313*AV060110	45500	11.70	13.50	3
3047137	123AEA048-C	CNPV*4821A**	315(A,J)AV060110	45000	11.20	13.50	3
3124411	123AEA048-C	CNPV*4821A**	353AAV060100	45000	11.50	13.50	3
3047136	123AEA048-C	CNPV*4821A**	355(A,C)AV060080	45000	11.00	13.20	3
3047135	123AEA048-C	CNPV*4821A**+TDR		46000	11.00	13.00	3
3047177	123AEA048-C	CNPV*4824A**	313*AV060135	45500	11.20	13.50	3
3047140	123AEA048-C	CNPV*4824A**	315(A,J)AV066135	45500	11.20	13.50	3
3124412	123AEA048-C	CNPV*4824A**	353AAV060120	45500	11.50	13.50	3
3047139	123AEA048-C	CNPV*4824A**	355(A,C)AV060120	45500	11.20	13.50	3
3047138	123AEA048-C	CNPV*4824A**+TDR		46000	11.00	13.00	3
3047178	123AEA048-C	CNPV*6024A**	313*AV060135	46000	11.70	14.00	3
3047143	123AEA048-C	CNPV*6024A**	315(A,J)AV066135	46000	11.50	14.00	3
3124413	123AEA048-C	CNPV*6024A**	353AAV060120	46000	11.70	14.00	3
3047142	123AEA048-C	CNPV*6024A**	355(A,C)AV060120	46000	11.20	13.50	3
3047141	123AEA048-C	CNPV*6024A**+TDR		47000	11.00	13.20	3
3047186	123AEA048-C	CSPH*4812A**	313*AV048090	45500	11.50	13.50	3
3047187	123AEA048-C	CSPH*4812A**	313*AV060110	45500	11.70	13.50	3
3047188	123AEA048-C	CSPH*4812A**	313*AV060135	45500	11.20	13.50	3
3047157	123AEA048-C	CSPH*4812A**	315(A,J)AV048090	44500	11.20	13.50	3
3124420	123AEA048-C	CSPH*4812A**	353AAV048080	45500	11.20	13.20	3
3124421	123AEA048-C	CSPH*4812A**	353AAV060100	45000	11.50	13.50	3
3124422	123AEA048-C	CSPH*4812A**	353AAV060120	45500	11.50	13.50	3
3047156	123AEA048-C	CSPH*4812A**	355(A,C)AV060080	44500	11.00	13.20	3
3047155	123AEA048-C	CSPH*4812A**+TDR		45500	11.00	13.00	3
3047189	123AEA048-C	CSPH*6012A**	313*AV048070	46000	11.00	13.00	3
3047190	123AEA048-C	CSPH*6012A**	313*AV048090	46000	11.70	14.00	3
3047191	123AEA048-C	CSPH*6012A**	313*AV060110	46000	12.00	14.00	3
3047192	123AEA048-C	CSPH*6012A**	313*AV060135	46000	11.70	14.00	3
3047160	123AEA048-C	CSPH*6012A**	315(A,J)AV048090	45000	11.20	13.50	3
3124423	123AEA048-C	CSPH*6012A**	353AAV048080	46000	11.50	13.50	3
3124424	123AEA048-C	CSPH*6012A**	353AAV060100	46000	11.70	14.00	3
3124425	123AEA048-C	CSPH*6012A**	353AAV060120	46000	11.70	14.00	3
3047159	123AEA048-C	CSPH*6012A**	355(A,C)AV060080	45000	11.20	13.50	3
3047158	123AEA048-C	CSPH*6012A**+TDR		46000	11.00	13.20	3
3047163	123AEA048-C	FE4AN(B,F)005+UI		46500	11.50	14.00	3
3047164	123AEA048-C	FE4ANB006+UI		47000	11.70	14.50	3
3047165	123AEA048-C	FV4BN(B,F)005		46500	11.50	14.00	3
3047166	123AEA048-C	FV4BNB006		47000	11.70	14.50	3
3047161	123AEA048-C	FX4CN(B,F)048		47000	11.20	13.50	3
3047162	123AEA048-C	FX4CN(B,F)060		47500	11.50	14.00	3
3047168	123AEA048-C	FY4ANB060		46500	11.00	13.20	3
3047167	123AEA048-C	FY4ANF048		46000	11.00	13.00	3
3046015	123ANA060-C	*CAP**6024A**+TDR		57500	11.00	13.00	1
3046034	123ANA060-C	CAP**6021A**	313*AV048090	55500	11.00	13.00	1
3046035	123ANA060-C	CAP**6021A**	313*AV060110	56000	11.00	13.00	1
3046017	123ANA060-C	CAP**6021A**	315(A,J)AV060110	56000	11.00	13.20	1
3101793	123ANA060-C	CAP**6021A**	353AAV060100	56000	11.20	13.20	1
3046016	123ANA060-C	CAP**6021A**+TDR		56500	11.00	13.00	1
3046036	123ANA060-C	CAP**6024A**	313*AV060135	56000	11.00	13.00	1
3046018	123ANA060-C	CAP**6024A**	315(A,J)AV066135	56500	11.00	13.20	1
3046019	123ANA060-C	CAP**6024A**	315(A,J)AV066155	56500	11.20	13.50	1
3101794	123ANA060-C	CAP**6024A**	353AAV060120	56000	11.20	13.50	1
3046038	123ANA060-C	CNPH*6024A**	313*AV048090	55500	11.00	13.00	1

See notes on page 27

# COMBINATION RATINGS CONTINUED

AHRI Ref. No.	Model Number	Indoor Model	Furnace Model	Capacity	EER	SEER	Phase
3046039	123ANA060-C	CNPH*6024A**	313*AV060110	56000	11.00	13.00	1
3046040	123ANA060-C	CNPH*6024A**	313*AV060135	56000	11.00	13.00	1
3046024	123ANA060-C	CNPH*6024A**	315(A,J)AV066135	56000	11.20	13.50	1
3046025	123ANA060-C	CNPH*6024A**	315(A,J)AV066155	56500	11.20	13.50	1
3101796	123ANA060-C	CNPH*6024A**	353AAV048080	55500	11.00	13.00	1
3101797	123ANA060-C	CNPH*6024A**	353AAV060100	55500	11.20	13.20	1
3101798	123ANA060-C	CNPH*6024A**	353AAV060120	56000	11.20	13.50	1
3046023	123ANA060-C	CNPH*6024A**+TDR		56000	11.00	13.00	1
3046037	123ANA060-C	CNPV*6024A**	313*AV060135	56000	11.00	13.00	1
3046021	123ANA060-C	CNPV*6024A**	315(A,J)AV066135	56000	11.00	13.50	1
3046022	123ANA060-C	CNPV*6024A**	315(A,J)AV066155	56500	11.20	13.50	1
3101795	123ANA060-C	CNPV*6024A**	353AAV060120	56000	11.20	13.50	1
3046020	123ANA060-C	CNPV*6024A**+TDR		57000	11.00	13.00	1
3046041	123ANA060-C	CSPH*6012A**	313*AV048090	56000	11.00	13.00	1
3046042	123ANA060-C	CSPH*6012A**	313*AV060110	56500	11.50	13.50	1
3046043	123ANA060-C	CSPH*6012A**	313*AV060135	56000	11.00	13.00	1
3046027	123ANA060-C	CSPH*6012A**	315(A,J)AV060110	55500	11.00	13.20	1
3046028	123ANA060-C	CSPH*6012A**	315(A,J)AV066135	55500	11.20	13.50	1
3046029	123ANA060-C	CSPH*6012A**	315(A,J)AV066155	55500	11.20	13.50	1
3101799	123ANA060-C	CSPH*6012A**	353AAV048080	55500	11.00	13.20	1
3101800	123ANA060-C	CSPH*6012A**	353AAV060100	56000	11.20	13.20	1
3101801	123ANA060-C	CSPH*6012A**	353AAV060120	56000	11.20	13.50	1
3046026	123ANA060-C	CSPH*6012A**+TDR		56500	11.00	13.00	1
3046031	123ANA060-C	FE4ANB006+UI		57000	11.20	13.50	1
3046032	123ANA060-C	FV4BNB006		57000	11.20	13.50	1
3046030	123ANA060-C	FX4CN(B,F)060		58000	11.00	13.20	1
3046033	123ANA060-C	FY4ANB060		56500	11.00	13.00	1
3047193	123APA060-C	*CAP**6024A**+TDR		57500	11.00	13.00	3
3047212	123APA060-C	CAP**6021A**	313*AV048090	55500	11.00	13.00	3
3047213	123APA060-C	CAP**6021A**	313*AV060110	56000	11.00	13.00	3
3047195	123APA060-C	CAP**6021A**	315(A,J)AV060110	56000	11.00	13.20	3
3124322	123APA060-C	CAP**6021A**	353AAV060100	56000	11.20	13.20	3
3047194	123APA060-C	CAP**6021A**+TDR		56500	11.00	13.00	3
3047214	123APA060-C	CAP**6024A**	313*AV060135	56000	11.00	13.00	3
3047196	123APA060-C	CAP**6024A**	315(A,J)AV066135	56500	11.00	13.20	3
3047197	123APA060-C	CAP**6024A**	315(A,J)AV066155	56500	11.20	13.50	3
3124323	123APA060-C	CAP**6024A**	353AAV060120	56000	11.20	13.50	3
3047216	123APA060-C	CNPH*6024A**	313*AV048090	55500	11.00	13.00	3
3047217	123APA060-C	CNPH*6024A**	313*AV060110	56000	11.00	13.00	3
3047218	123APA060-C	CNPH*6024A**	313*AV060135	56000	11.00	13.00	3
3047202	123APA060-C	CNPH*6024A**	315(A,J)AV066135	56000	11.20	13.50	3
3047203	123APA060-C	CNPH*6024A**	315(A,J)AV066155	56500	11.20	13.50	3
3124325	123APA060-C	CNPH*6024A**	353AAV048080	55500	11.00	13.00	3
3124326	123APA060-C	CNPH*6024A**	353AAV060100	55500	11.20	13.20	3
3124327	123APA060-C	CNPH*6024A**	353AAV060120	56000	11.20	13.50	3
3047201	123APA060-C	CNPH*6024A**+TDR		56000	11.00	13.00	3
3047215	123APA060-C	CNPV*6024A**	313*AV060135	56000	11.00	13.00	3
3047199	123APA060-C	CNPV*6024A**	315(A,J)AV066135	56000	11.00	13.50	3
3047200	123APA060-C	CNPV*6024A**	315(A,J)AV066155	56500	11.20	13.50	3
3124324	123APA060-C	CNPV*6024A**	353AAV060120	56000	11.20	13.50	3
3047198	123APA060-C	CNPV*6024A**+TDR		57000	11.00	13.00	3
3047219	123APA060-C	CSPH*6012A**	313*AV048090	56000	11.00	13.00	3
3047220	123APA060-C	CSPH*6012A**	313*AV060110	56500	11.50	13.50	3
3047221	123APA060-C	CSPH*6012A**	313*AV060135	56000	11.00	13.00	3
3047205	123APA060-C	CSPH*6012A**	315(A,J)AV060110	55500	11.00	13.20	3
3047206	123APA060-C	CSPH*6012A**	315(A,J)AV066135	55500	11.20	13.50	3
3047207	123APA060-C	CSPH*6012A**	315(A,J)AV066155	55500	11.20	13.50	3
3124328	123APA060-C	CSPH*6012A**	353AAV048080	55500	11.00	13.20	3
3124329	123APA060-C	CSPH*6012A**	353AAV060100	56000	11.20	13.20	3
3124330	123APA060-C	CSPH*6012A**	353AAV060120	56000	11.20	13.50	3
3047204	123APA060-C	CSPH*6012A**+TDR		56500	11.00	13.00	3
3047209	123APA060-C	FE4ANB006+UI		57000	11.20	13.50	3
3047210	123APA060-C	FV4BNB006		57000	11.20	13.50	3
3047208	123APA060-C	FX4CN(B,F)060		58000	11.00	13.20	3
3047211	123APA060-C	FY4ANB060		56500	11.00	13.00	3
3047222	123AEA060-C	*CAP**6024A**+TDR		57500	11.00	13.00	3
3047241	123AEA060-C	CAP**6021A**	313*AV048090	55500	11.00	13.00	3
3047242	123AEA060-C	CAP**6021A**	313*AV060110	56000	11.00	13.00	3
3047224	123AEA060-C	CAP**6021A**	315(A,J)AV060110	56000	11.00	13.20	3
3124426	123AEA060-C	CAP**6021A**	353AAV060100	56000	11.20	13.20	3
3047223	123AEA060-C	CAP**6021A**+TDR		56500	11.00	13.00	3
3047243	123AEA060-C	CAP**6024A**	313*AV060135	56000	11.00	13.00	3
3047225	123AEA060-C	CAP**6024A**	315(A,J)AV066135	56500	11.00	13.20	3
3047226	123AEA060-C	CAP**6024A**	315(A,J)AV066155	56500	11.20	13.50	3
3124427	123AEA060-C	CAP**6024A**	353AAV060120	56000	11.20	13.50	3
3047245	123AEA060-C	CNPH*6024A**	313*AV048090	55500	11.00	13.00	3
3047246	123AEA060-C	CNPH*6024A**	313*AV060110	56000	11.00	13.00	3
3047247	123AEA060-C	CNPH*6024A**	313*AV060135	56000	11.00	13.00	3
3047231	123AEA060-C	CNPH*6024A**	315(A,J)AV066135	56000	11.20	13.50	3
3047232	123AEA060-C	CNPH*6024A**	315(A,J)AV066155	56500	11.20	13.50	3
3124429	123AEA060-C	CNPH*6024A**	353AAV048080	55500	11.00	13.00	3
3124430	123AEA060-C	CNPH*6024A**	353AAV060100	55500	11.20	13.20	3
3124431	123AEA060-C	CNPH*6024A**	353AAV060120	56000	11.20	13.50	3
3047230	123AEA060-C	CNPH*6024A**+TDR		56000	11.00	13.00	3
3047244	123AEA060-C	CNPV*6024A**	313*AV060135	56000	11.00	13.00	3
3047228	123AEA060-C	CNPV*6024A**	315(A,J)AV066135	56000	11.00	13.50	3
3047229	123AEA060-C	CNPV*6024A**	315(A,J)AV066155	56500	11.20	13.50	3

See notes on page 27

# COMBINATION RATINGS CONTINUED

AHRI Ref. No.	Model Number	Indoor Model	Furnace Model	Capacity	EER	SEER	Phase
3124428	123AEA060-C	CNPV*6024A**	353AAV060120	56000	11.20	13.50	3
3047227	123AEA060-C	CNPV*6024A**+TDR		57000	11.00	13.00	3
3047248	123AEA060-C	CSPH*6012A**	313*AV048090	56000	11.00	13.00	3
3047249	123AEA060-C	CSPH*6012A**	313*AV060110	56500	11.50	13.50	3
3047250	123AEA060-C	CSPH*6012A**	313*AV060135	56000	11.00	13.00	3
3047234	123AEA060-C	CSPH*6012A**	315(A,J)AV060110	55500	11.00	13.20	3
3047235	123AEA060-C	CSPH*6012A**	315(A,J)AV066135	55500	11.20	13.50	3
3047236	123AEA060-C	CSPH*6012A**	315(A,J)AV066155	55500	11.20	13.50	3
3124432	123AEA060-C	CSPH*6012A**	353AAV048080	55500	11.00	13.20	3
3124433	123AEA060-C	CSPH*6012A**	353AAV060100	56000	11.20	13.20	3
3124434	123AEA060-C	CSPH*6012A**	353AAV060120	56000	11.20	13.50	3
3047233	123AEA060-C	CSPH*6012A**+TDR		56500	11.00	13.00	3
3047238	123AEA060-C	FE4ANB006+UI		57000	11.20	13.50	3
3047239	123AEA060-C	FV4BNB006		57000	11.20	13.50	3
3047237	123AEA060-C	FX4CN(B,F)060		58000	11.00	13.20	3
3047240	123AEA060-C	FY4ANB060		56500	11.00	13.00	3

\* Tested combination .

## NOTES:

1. Ratings are net values reflecting the effects of circulating fan motor heat. Supplemental electric heat is not included.
2. Tested outdoor/indoor combinations have been tested in accordance with DOE test procedures for central air conditioners. Ratings for other combinations are determined under DOE computer simulation procedures.
3. Determine actual CFM values obtainable for your system by referring to fan performance data in fan coil or furnace coil literature.
4. Do not apply with capillary tube coils as performance and reliability are significantly affected.

**EER** — Energy Efficiency Ratio

**SEER** — Seasonal Energy Efficiency Ratio

**TDR** — Time-Delay Relay. In most cases, only one method should be used to achieve TDR function. Using more than one method in a system may cause degradation in performance. Use either the accessory Time-Delay Relay, KAATD0101TDR, or a furnace equipped with TDR. Most Bryant furnaces are equipped with TDR.

**TXV** — Thermostatic Expansion Valve

**DETAILED COOLING CAPACITIES#**

EVAPORATOR AIR		75 (23.9)				85 (29.4)				95 (35)				105 (40.6)				115 (46.1)				125 (51.7)			
CFM	EWB °F (°C)	Capacity MBTuh		Total Sys. KW**	Total Sys. KW**	Capacity MBTuh		Total Sys. KW**	Total Sys. KW**	Capacity MBTuh		Total Sys. KW**	Total Sys. KW**	Capacity MBTuh		Total Sys. KW**	Total Sys. KW**	Capacity MBTuh		Total Sys. KW**	Total Sys. KW**				
		Total	Sens†			Total	Sens†			Total	Sens†			Total	Sens†			Total	Sens†						
525	72 (22.2)	20.46	10.76	1.21	1.36	18.59	10.05	1.53	1.53	17.62	9.69	1.71	1.71	16.57	9.30	1.91	1.91	15.40	8.88	2.13	2.13				
	67 (19.4)	18.79	13.26	1.22	1.37	17.05	12.90	1.53	1.53	16.12	12.14	1.72	1.72	15.13	11.74	1.92	1.92	14.03	11.30	2.13	2.13				
	62 (16.7)	17.27	15.73	1.22	1.37	15.88	14.97	1.54	1.54	14.83	14.55	1.72	1.72	14.00	14.00	1.92	1.92	13.15	13.15	2.13	2.13				
	57 (13.9)	16.78	16.78	1.23	1.37	16.15	16.15	1.54	1.54	14.77	14.77	1.72	1.72	14.00	14.00	1.92	1.92	13.15	13.15	2.13	2.13				
	72 (22.2)	20.79	11.28	1.24	1.39	19.83	10.92	1.56	1.56	17.83	10.19	1.74	1.74	16.76	9.80	1.94	1.94	15.55	9.37	2.16	2.16				
600	67 (19.4)	19.11	14.10	1.25	1.40	18.23	13.73	1.40	1.40	17.30	13.36	1.56	1.56	16.35	12.97	1.74	1.74	14.20	12.12	2.16	2.16				
	62 (16.7)	17.66	16.88	1.25	1.40	16.87	16.49	1.40	1.40	16.06	16.06	1.56	1.56	15.32	15.32	1.74	1.74	13.61	13.61	2.16	2.16				
	57 (13.9)	16.78	17.46	1.25	1.40	16.79	16.79	1.40	1.40	16.07	16.07	1.56	1.56	15.32	15.32	1.74	1.74	13.61	13.61	2.16	2.16				
	72 (22.2)	21.03	11.77	1.27	1.42	20.02	11.40	1.42	1.42	18.99	11.03	1.59	1.59	17.97	10.67	1.77	1.77	15.65	9.85	2.18	2.18				
	67 (19.4)	19.33	14.90	1.27	1.42	18.43	14.54	1.42	1.42	17.48	14.15	1.59	1.59	16.51	13.77	1.77	1.77	14.33	12.89	2.19	2.19				
675	62 (16.7)	18.01	17.91	1.28	1.43	17.30	17.30	1.43	1.43	16.54	16.54	1.59	1.59	15.76	15.76	1.77	1.77	13.97	13.97	2.19	2.19				
	57 (13.9)	18.01	18.01	1.28	1.43	17.30	17.30	1.43	1.43	16.55	16.55	1.59	1.59	15.76	15.76	1.77	1.77	13.97	13.97	2.19	2.19				

CONDENSER ENTERING AIR TEMPERATURES °F (°C)

123ANA018 Outdoor Section With 18 Indoor Section

COOLING INDOOR MODEL	CAPACITY	POWER	FURNACE MODEL
CNPH*2417A**	0.99	0.93	355(A,C)AV042060
CNPV*2417A**	0.99	0.93	355(A,C)AV042060
CSPH*2412A**	0.95	0.90	355(A,C)AV042060
CNPH*2417A**	0.99	0.93	355(A,C)AV042080
CSPH*2412A**	0.95	0.90	355(A,C)AV042080
CAP**1814A**	1.00	0.90	313*AV024045
CNPV*2417A**	1.02	0.92	313*AV024045
CNPH*2417A**	1.02	0.92	313*AV024045
CNPV*1814A**	1.00	0.90	313*AV024045
CSPH*2412A**	1.02	0.92	313*AV024045
CSPH*2412A**	1.02	0.92	313*AV024045

See notes on pg. 34

COOLING INDOOR MODEL	CAPACITY	POWER	FURNACE MODEL
*CAP**1814A**	1.00	1.00	
CAP**2414A**	1.01	1.01	
CAP**2417A**	1.01	1.01	
CNPF*2418A**	1.00	1.00	
CNPH*2417A**	1.00	1.00	
CNPV*1814A**	0.99	0.99	
CNPV*2414A**	1.00	1.00	
CNPV*2417A**	1.00	1.00	
CSPH*2412A**	0.97	0.97	
FE4ANF002	1.02	0.93	
FF1ENP018	0.99	0.99	
FF1ENP024	1.01	1.01	
FV4BNF002	1.02	0.93	
FV4CNF018	1.01	0.95	
FV4CNF024	1.02	0.96	
FV4ANF018	0.99	0.99	
FV4ANF024	1.00	1.00	
CAP**1814A**	0.98	0.92	315(A,J)AV036070
CAP**2414A**	1.00	0.94	315(A,J)AV036070
CNPH*2417A**	0.99	0.93	315(A,J)AV036070
CNPV*1814A**	0.98	0.92	315(A,J)AV036070
CNPV*2414A**	0.99	0.93	315(A,J)AV036070
CSPH*2412A**	0.95	0.89	315(A,J)AV036070
CAP**2417A**	1.01	0.95	315(A,J)AV048090
CNPH*2417A**	0.99	0.93	315(A,J)AV048090
CNPV*2417A**	0.99	0.93	315(A,J)AV048090
CSPH*2412A**	0.95	0.90	315(A,J)AV048090
CAP**2417A**	1.03	0.91	353AAV036040
CNPH*2417A**	1.02	0.90	353AAV036040
CNPV*2417A**	1.02	0.90	353AAV036040
CSPH*2412A**	1.02	0.91	353AAV036040
CAP**2417A**	1.02	0.90	353AAV036060
CNPH*2417A**	1.01	0.89	353AAV036060
CNPV*2417A**	1.01	0.89	353AAV036060
CSPH*2412A**	1.01	0.91	353AAV036060
CNPH*2417A**	0.99	0.93	355(A,C)AV042040
CSPH*2412A**	0.95	0.90	355(A,C)AV042040
CAP**2417A**	1.00	0.94	355(A,C)AV042060

# DETAILED COOLING CAPACITIES# CONTINUED

EVAPORATOR AIR		CONDENSER ENTERING AIR TEMPERATURES ° F (° C)																							
		75 (23.9)				85 (29.4)				95 (35)				105 (40.6)				115 (46.1)				125 (51.7)			
		CFM	EWB ° F (° C)	Capacity MBtuh		Total Sys. KW**	Capacity MBtuh		Total Sys. KW**	Capacity MBtuh		Total Sys. KW**	Capacity MBtuh		Total Sys. KW**	Capacity MBtuh		Total Sys. KW**	Capacity MBtuh		Total Sys. KW**				
Total	Sens†			Total	Sens†		Total	Sens†		Total	Sens†		Total	Sens†		Total	Sens†								
700	72 (22.2)	27.11	14.29	1.61	25.97	13.86	1.81	24.75	13.40	2.03	23.47	12.92	2.28	22.09	12.41	2.55	20.55	11.85	2.84						
	67 (19.4)	24.89	17.62	1.61	23.81	17.16	1.81	22.66	16.68	2.03	21.45	16.19	2.28	20.15	15.66	2.55	18.73	15.09	2.85						
	62 (16.7)	22.86	20.91	1.61	21.86	20.44	1.81	20.81	19.93	2.04	19.72	19.39	2.28	18.65	18.65	2.56	17.57	17.57	2.86						
	57 (13.9)	22.24	22.24	1.61	21.43	21.43	1.82	20.56	20.56	2.04	19.64	19.64	2.28	18.65	18.65	2.56	17.57	17.57	2.86						
	52 (22.2)	27.54	14.98	1.64	26.35	14.54	1.84	25.08	14.08	2.06	23.76	13.60	2.31	22.34	13.09	2.58	20.75	12.52	2.88						
800	67 (19.4)	25.31	18.74	1.64	24.19	18.29	1.85	23.00	17.81	2.07	21.75	17.31	2.31	20.42	16.77	2.59	18.96	16.19	2.88						
	62 (16.7)	23.37	22.46	1.65	22.96	22.46	1.85	21.95	21.95	2.07	20.38	20.38	2.32	19.33	19.33	2.59	18.18	18.18	2.89						
	57 (13.9)	23.14	23.14	1.65	22.28	22.28	1.85	21.36	21.36	2.07	20.38	20.38	2.32	19.33	19.33	2.59	18.18	18.18	2.89						
	72 (22.2)	27.83	15.64	1.68	26.61	15.19	1.88	25.31	14.72	2.10	23.96	14.25	2.34	22.50	13.73	2.61	20.87	13.16	2.91						
	67 (19.4)	25.61	19.83	1.68	24.46	19.37	1.88	23.25	18.88	2.10	21.97	18.37	2.35	20.61	17.83	2.62	19.12	17.24	2.92						
900	62 (16.7)	23.85	23.85	1.68	22.96	22.96	1.88	22.00	22.00	2.10	20.98	20.98	2.35	19.87	19.87	2.62	18.66	18.66	2.92						
	57 (13.9)	23.87	23.87	1.68	22.97	22.97	1.88	22.00	22.00	2.10	20.98	20.98	2.35	19.87	19.87	2.62	18.66	18.66	2.92						

COOLING INDOOR MODEL	CAPACITY		POWER	FURNACE MODEL	
	Total	Sens†		Total	Sens†
*CAP**2414A**	1.00	1.00	1.00	315(A,J)AV060110	355(A,C)AV042060
CAP**2417A**	0.99	0.99	0.90	315(A,J)AV060110	355(A,C)AV042060
CAP**3014A**	1.00	1.00	1.00	315(A,J)AV066135	355(A,C)AV042080
CAP**3017A**	1.00	1.00	1.00	315(A,J)AV066135	355(A,C)AV042080
CNPF*2418A**	0.98	0.98	0.98	315(A,J)AV066155	355(A,C)AV060080
CNPF*2417A**	0.98	0.98	0.98	353AAV036040	355(A,C)AV060100
CNPF*3017A**	0.99	0.99	0.99	353AAV036040	355(A,C)AV060120
CNPV*2414A**	0.98	0.98	0.98	353AAV036040	313*AV024045
CNPV*2417A**	0.98	0.98	0.98	353AAV036040	313*AV024045
CNPV*3014A**	0.99	0.99	0.99	353AAV036040	313*AV024045
CNPV*3017A**	0.99	0.99	0.99	353AAV036040	313*AV024045
CSPH*2412A**	0.96	0.96	0.90	353AAV036060	313*AV024045
CSPH*3012A**	0.96	0.96	0.90	353AAV036060	313*AV024045
FE4AN(B)F003	1.00	1.00	0.94	353AAV036060	313*AV024045
FE4ANF002	1.00	0.98	0.94	353AAV036060	313*AV024045
FF1ENP024	0.98	0.98	0.98	353AAV036060	313*AV024045
FF1ENP030	0.98	0.98	0.98	353AAV036060	313*AV024045
FV4BN(B)F003	1.00	1.00	0.92	353AAV036060	313*AV024045
FV4BNF002	1.00	0.94	0.94	353AAV036060	313*AV024045
FV4BNF024	1.00	0.96	0.96	353AAV036060	313*AV024045
FV4CNF030	1.01	0.96	0.96	353AAV036060	313*AV024045
FV4ANF024	0.98	0.98	0.98	353AAV036060	313*AV024045
FV4ANF030	0.99	0.99	0.99	353AAV036060	313*AV024045
CAP**2414A**	0.98	0.98	0.94	315(A,J)AV036070	313*AV024045
CAP**3014A**	0.99	0.99	0.95	315(A,J)AV036070	313*AV024045
CNPH*2417A**	0.97	0.93	0.93	315(A,J)AV036070	313*AV024045
CNPH*3017A**	0.98	0.98	0.92	315(A,J)AV036070	313*AV024045
CNPV*2414A**	0.97	0.93	0.93	315(A,J)AV036070	313*AV024045
CNPV*3014A**	0.98	0.98	0.97	315(A,J)AV036070	313*AV024045
CSPH*2412A**	0.95	0.95	0.91	315(A,J)AV036070	313*AV024045
CSPH*3012A**	0.95	0.95	0.91	315(A,J)AV036070	313*AV024045
CAP**2417A**	0.98	0.98	0.92	315(A,J)AV048090	313*AV024045
CAP**3017A**	0.99	0.93	0.93	315(A,J)AV048090	313*AV024045
CNPV*2417A**	0.97	0.93	0.93	315(A,J)AV048090	313*AV024045
CNPV*3017A**	0.98	0.98	0.92	315(A,J)AV048090	313*AV024045
CSPH*2412A**	0.95	0.95	0.89	315(A,J)AV048090	313*AV024045
CSPH*3012A**	0.98	0.98	0.93	315(A,J)AV048090	313*AV024045

See notes on pg. 34



# DETAILED COOLING CAPACITIES# CONTINUED

EVAPORATOR AIR		CONDENSER ENTERING AIR TEMPERATURES °F (°C)																			
		75 (23.9)				85 (29.4)				105 (40.6)				115 (46.1)				125 (51.7)			
		CFM	EWB °F (°C)	Capacity MBtuh		Total Sys. KW**	Capacity MBtuh		Total Sys. KW**	Capacity MBtuh		Total Sys. KW**	Capacity MBtuh		Total Sys. KW**	Capacity MBtuh		Total Sys. KW**			
Total	Sens†			Total	Sens†		Total	Sens†		Total	Sens†		Total	Sens†							
1060	72 (22.2)	40.12	21.34	2.48	35.42	20.70	2.74	36.61	20.02	3.03	34.70	19.31	3.35	32.62	18.55	3.71	30.32	17.72	4.09		
	67 (19.4)	36.62	26.34	2.47	35.03	25.67	2.73	33.34	24.97	3.04	31.55	24.24	3.34	29.62	23.47	3.70	27.50	22.62	4.09		
	62 (16.7)	33.54	31.31	2.46	30.61	30.61	2.72	29.06	29.06	3.01	29.06	29.06	3.34	27.62	27.62	3.70	25.99	25.99	4.09		
	57 (13.9)	32.88	32.88	2.46	31.70	31.70	2.72	30.44	30.44	3.01	29.09	29.09	3.34	27.63	27.63	3.70	26.00	26.00	4.09		
1200	72 (22.2)	40.72	22.34	2.54	38.96	21.69	2.80	37.09	21.00	3.09	35.11	20.28	3.41	32.97	19.51	3.76	30.60	18.67	4.15		
	67 (19.4)	37.19	27.96	2.53	35.54	27.28	2.79	33.80	26.58	3.08	31.96	25.85	3.26	29.98	25.06	3.76	27.81	24.20	4.15		
	62 (16.7)	34.30	33.50	2.52	32.84	32.84	2.78	31.55	31.55	3.07	30.12	30.12	3.40	28.56	28.56	3.75	26.83	26.83	4.14		
	57 (13.9)	34.15	34.15	2.52	32.89	32.89	2.78	31.55	31.55	3.07	30.12	30.12	3.40	28.56	28.56	3.75	26.83	26.83	4.14		
1350	72 (22.2)	41.16	23.27	2.60	39.34	22.61	2.86	37.42	21.20	3.14	35.40	21.20	3.47	33.21	20.42	3.82	30.78	19.57	4.21		
	67 (19.4)	37.62	29.51	2.59	35.93	28.83	2.85	34.15	28.12	3.14	32.27	27.38	3.46	30.25	26.57	3.81	28.05	25.67	4.20		
	62 (16.7)	35.18	35.18	2.58	33.86	33.86	2.84	32.45	32.45	3.13	30.95	30.95	3.46	29.31	29.31	3.81	27.50	27.50	4.20		
	57 (13.9)	35.19	35.19	2.58	33.86	33.86	2.84	32.46	32.46	3.13	30.95	30.95	3.46	29.31	29.31	3.81	27.50	27.50	4.20		

EVAPORATOR AIR	MODEL	CAPACITY		POWER	FURNACE MODEL	
		Total	Sens†		Total	Sens†
*CAP**3617A**	CNPV*4221A**	1.00	1.00	0.92	353AAV036040	CNPV*3617A**
	CNPV*3617A**	1.00	1.00	0.92	353AAV036040	CNPV*3617A**
CAP**3621A**	CNPV*4221A**	1.00	1.00	0.92	353AAV036040	CNPV*4221A**
	CNPV*3617A**	1.00	1.00	0.92	353AAV036040	CNPV*3617A**
CAP**4224A**	CNPV*4221A**	1.00	1.00	0.92	353AAV036040	CNPV*4221A**
	CNPV*3617A**	1.00	1.00	0.92	353AAV036040	CNPV*3617A**
CNPV*3618A**	CNPV*4221A**	1.00	1.00	0.90	353AAV036040	CNPV*4221A**
	CNPV*3617A**	1.00	1.00	0.92	353AAV036040	CNPV*3617A**
CNPV*3617A**	CNPV*4221A**	1.00	1.00	0.92	353AAV036060	CNPV*4221A**
	CNPV*3617A**	1.00	1.00	0.92	353AAV036060	CNPV*3617A**
CNPV*3617A**	CNPV*4221A**	1.00	1.00	0.92	353AAV036060	CNPV*4221A**
	CNPV*3617A**	1.00	1.00	0.92	353AAV036060	CNPV*3617A**
CNPV*4217A**	CNPV*4217A**	1.00	1.00	0.92	353AAV036060	CNPV*4217A**
	CNPV*4217A**	1.00	1.00	0.92	353AAV036060	CNPV*4217A**
CNPV*4221A**	CSPH*3612A**	1.00	1.00	0.92	353AAV036060	CSPH*3612A**
	CSPH*4212A**	1.00	1.00	0.90	353AAV036060	CSPH*4212A**
CSPH*4212A**	CAP**3617A**	1.00	1.00	0.92	353AAV036060	CAP**3617A**
	CAP**4224A**	1.00	1.00	0.92	353AAV036060	CAP**4224A**
FE4AN(B,F)003	CNPV*4221A**	1.00	1.00	0.92	353AAV036080	CNPV*4221A**
	CNPV*3617A**	1.00	1.00	0.92	353AAV036080	CNPV*3617A**
FE4AN(B,F)005	CNPV*4221A**	1.03	1.04	0.94	353AAV036080	CNPV*4221A**
	CNPV*3617A**	1.04	1.04	0.95	353AAV036080	CNPV*3617A**
FE4ANF002	CNPV*4221A**	0.99	0.99	0.95	353AAV036080	CNPV*4221A**
	CNPV*3617A**	0.99	0.99	0.95	353AAV036080	CNPV*3617A**
FF1ENP036	CNPV*4221A**	0.99	0.99	0.94	353AAV036080	CNPV*4221A**
	CNPV*3617A**	0.99	0.99	0.94	353AAV036080	CNPV*3617A**
FV4BN(B,F)003	CNPV*4221A**	1.00	1.00	0.94	353AAV036080	CNPV*4221A**
	CNPV*3617A**	1.00	1.00	0.94	353AAV036080	CNPV*3617A**
FV4BN(B,F)005	CNPV*4221A**	1.04	1.04	0.95	353AAV048080	CNPV*4221A**
	CNPV*3617A**	1.04	1.04	0.95	353AAV048080	CNPV*3617A**
FV4BNF002	CNPV*4221A**	0.99	0.99	0.95	353AAV048080	CNPV*4221A**
	CNPV*3617A**	0.99	0.99	0.95	353AAV048080	CNPV*3617A**
FX4CN(B,F)036	CNPV*4221A**	1.01	1.01	0.97	353AAV048090	CNPV*4221A**
	CNPV*3617A**	1.02	1.02	0.98	353AAV048090	CNPV*3617A**
FX4CN(B,F)042	CNPV*4221A**	0.99	0.99	0.99	353AAV048090	CNPV*4221A**
	CNPV*3617A**	0.99	0.99	0.99	353AAV048090	CNPV*3617A**
FY4ANF036	CNPV*4221A**	1.01	1.01	0.95	353AAV048090	CNPV*4221A**
	CNPV*3617A**	1.01	1.01	0.95	353AAV048090	CNPV*3617A**
FY4ANF042	CNPV*4221A**	0.97	0.97	0.95	353AAV048090	CNPV*4221A**
	CNPV*3617A**	0.97	0.97	0.95	353AAV048090	CNPV*3617A**
CNPV*3617A**	CNPV*4221A**	0.98	0.98	0.96	353AAV060100	CNPV*4221A**
	CNPV*3617A**	0.98	0.98	0.96	353AAV060100	CNPV*3617A**
CNPV*4221A**	CNPV*4221A**	1.01	1.01	0.96	353AAV060100	CNPV*4221A**
	CNPV*3617A**	1.01	1.01	0.96	353AAV060100	CNPV*3617A**
CSPH*3612A**	CNPV*4221A**	1.00	1.00	0.98	353AAV060100	CNPV*4221A**
	CNPV*3617A**	1.00	1.00	0.98	353AAV060100	CNPV*3617A**
CAP**3617A**	CNPV*4221A**	0.99	0.99	0.94	353AAV060100	CNPV*4221A**
	CNPV*3617A**	0.99	0.99	0.94	353AAV060100	CNPV*3617A**
CNPV*4217A**	CNPV*4217A**	1.00	1.00	0.90	353AAV060100	CNPV*4217A**
	CNPV*3617A**	1.00	1.00	0.90	353AAV060100	CNPV*3617A**
CAP**3621A**	CNPV*4221A**	0.99	0.99	0.95	355(A,C)AV042040	CNPV*4221A**
	CNPV*3617A**	0.99	0.99	0.95	355(A,C)AV042040	CNPV*3617A**
CAP**4221A**	CNPV*4221A**	1.00	1.00	0.96	355(A,C)AV042040	CNPV*4221A**
	CNPV*3617A**	1.00	1.00	0.96	355(A,C)AV042040	CNPV*3617A**
CNPV*4221A**	CNPV*4221A**	1.02	1.02	0.94	355(A,C)AV042040	CNPV*4221A**
	CNPV*3617A**	1.00	1.00	0.94	355(A,C)AV042040	CNPV*3617A**
CAP**4224A**	CNPV*4221A**	1.00	1.00	0.96	355(A,C)AV042040	CNPV*4221A**
	CNPV*3617A**	1.00	1.00	0.96	355(A,C)AV042040	CNPV*3617A**
CAP**3617A**	CNPV*4221A**	1.00	1.00	0.92	355(A,C)AV042060	CNPV*4221A**
	CNPV*3617A**	1.00	1.00	0.92	355(A,C)AV042060	CNPV*3617A**

See notes on pg. 34.

## DETAILED COOLING CAPACITIES# CONTINUED

EVAPORATOR AIR		CONDENSER ENTERING AIR TEMPERATURES ° F (° C)														
		75 (23.9)			85 (29.4)			105 (40.6)			115 (46.1)			125 (51.7)		
		Capacity MBtuh		Total Sys. KW**	Capacity MBtuh		Total Sys. KW**	Capacity MBtuh		Total Sys. KW**	Capacity MBtuh		Total Sys. KW**	Capacity MBtuh		Total Sys. KW**
CFM	EWB ° F (° C)	Total	Sens†	Total	Sens†	Total	Sens†	Total	Sens†	Total	Sens†	Total	Sens†	Total	Sens†	
		1225	72 (22.2)	48.51	25.52	3.33	3.68	44.17	23.86	4.08	4.51	39.30	22.05	4.99	4.99	36.50
67 (19.4)	44.49		31.40	3.31	3.66	40.46	20.71	4.06	4.50	35.96	27.87	4.98	4.98	33.41	26.84	5.51
62 (16.7)	40.85		37.25	3.29	3.65	37.24	35.50	4.04	4.48	33.39	33.39	4.97	4.97	31.44	31.44	5.50
57 (13.9)	39.76		39.76	3.29	3.64	36.79	36.79	4.04	4.48	33.41	33.41	4.97	4.97	31.45	31.45	5.50
72 (22.2)	49.22		26.65	3.40	3.76	44.72	24.97	4.15	4.59	39.69	23.14	5.07	5.07	36.79	22.10	5.59
67 (19.4)	45.18		33.25	3.38	3.74	41.00	31.53	4.13	4.57	36.37	29.68	5.05	5.05	33.74	28.63	5.58
62 (16.7)	41.71		39.81	3.37	3.72	38.00	38.00	4.12	4.56	34.50	34.50	5.05	5.05	32.41	32.41	5.58
1400	72 (22.2)	41.28	41.28	3.37	3.72	38.11	38.11	4.12	4.56	34.50	34.50	5.05	5.05	32.41	32.41	5.58
	67 (19.4)	49.76	27.73	3.48	3.84	45.12	26.04	4.23	4.67	39.95	24.19	5.14	5.14	36.99	30.36	5.66
	62 (16.7)	45.71	35.04	3.46	3.82	41.42	33.32	4.21	4.65	36.68	31.44	5.13	5.13	33.99	30.36	5.65
	57 (13.9)	42.55	42.13	3.45	3.80	39.17	39.17	4.20	4.64	35.37	35.37	5.12	5.12	33.16	33.16	5.65
	72 (22.2)	42.52	42.52	3.45	3.80	39.17	39.17	4.20	4.64	35.37	35.37	5.12	5.12	33.16	33.16	5.65
	67 (19.4)	40.89	40.89	3.45	3.80	39.17	39.17	4.20	4.64	35.37	35.37	5.12	5.12	33.16	33.16	5.65
	57 (13.9)	40.89	40.89	3.45	3.80	39.17	39.17	4.20	4.64	35.37	35.37	5.12	5.12	33.16	33.16	5.65
1575	*CAP**4221A**	1.00														
	CAP**4224A**	1.00														
	CAP**4817A**	0.98														
	CAP**4821A**	1.01	1.01													
	CAP**4824A**	1.01	1.01													
	CNP**4818A**	1.01	1.01													
	CNP**4821A**	1.00	1.00													
	CNP**4824A**	1.01	1.01													
	CNP**4817A**	1.00	1.00													
	CNP**4212A**	1.00	1.00													
	CNP**4821A**	0.99	0.99													
	CNP**4824A**	1.01	1.01													
	CNP**4817A**	1.00	1.00													
	CNP**4212A**	1.00	1.00													
	CNP**4821A**	0.99	0.99													
	CNP**4824A**	1.01	1.01													
	CNP**4817A**	1.00	1.00													
	CNP**4212A**	1.00	1.00													
	CNP**4821A**	0.99	0.99													
	CNP**4824A**	1.01	1.01													
	CNP**4817A**	1.00	1.00													
	CNP**4212A**	1.00	1.00													
	CNP**4821A**	0.99	0.99													
	CNP**4824A**	1.01	1.01													
	CNP**4817A**	1.00	1.00													
	CNP**4212A**	1.00	1.00													
	CNP**4821A**	0.99	0.99													
	CNP**4824A**	1.01	1.01													
	CNP**4817A**	1.00	1.00													
	CNP**4212A**	1.00	1.00													
	CNP**4821A**	0.99	0.99													
	CNP**4824A**	1.01	1.01													
	CNP**4817A**	1.00	1.00													
CNP**4212A**	1.00	1.00														

See notes on pg. 34



# DETAILED COOLING CAPACITIES# CONTINUED

EVAPORATOR AIR		CONDENSER ENTERING AIR TEMPERATURES ° F (° C)																	
		75 (23.9)			85 (29.4)			95 (35)			105 (40.6)			115 (46.1)			125 (51.7)		
		CFM	EWB ° F (° C)	Capacity MBtuh		Total Sys. KW**	Capacity MBtuh		Total Sys. KW**	Capacity MBtuh		Total Sys. KW**	Capacity MBtuh		Total Sys. KW**	Capacity MBtuh		Total Sys. KW**	
Total	Sens†			Total	Sens†		Total	Sens†		Total	Sens†		Total	Sens†					
1400	72 (22.2)	55.04	28.49	3.35	52.62	27.54	3.75	50.08	26.56	4.20	47.38	25.54	4.72	44.49	24.45	5.30	41.25	23.26	6.01
	67 (19.4)	49.86	34.52	3.35	47.63	33.55	3.75	45.27	32.56	4.21	42.77	31.51	4.73	40.10	30.41	5.33	37.08	29.19	6.08
	62 (16.7)	45.26	40.60	3.35	43.30	39.77	3.76	41.26	38.91	4.22	39.15	38.04	4.74	37.27	37.27	5.34	35.05	35.05	6.09
	57 (13.9)	44.65	44.65	3.35	42.99	42.99	3.76	41.23	41.23	4.22	39.35	39.35	4.74	37.33	37.33	5.34	35.06	35.06	6.09
	72 (22.2)	56.06	29.65	3.42	53.54	28.69	3.82	50.89	27.69	4.27	48.09	26.65	4.79	45.09	25.55	5.36	41.76	24.34	6.06
	67 (19.4)	50.79	36.35	3.42	48.45	35.38	3.82	46.00	34.36	4.28	43.40	33.30	4.80	40.63	32.37	5.39	37.50	30.93	6.14
1600	62 (16.7)	46.36	43.45	3.42	44.40	42.66	3.83	42.52	41.92	4.17	40.77	40.77	4.81	38.63	38.63	5.40	36.19	36.19	6.15
	57 (13.9)	46.41	46.41	3.42	44.64	44.64	3.83	42.77	42.77	4.28	40.78	40.78	4.81	38.63	38.63	5.40	36.19	36.19	6.15
	72 (22.2)	56.83	30.71	3.49	54.22	29.73	3.89	51.49	28.72	4.34	48.61	27.66	4.85	45.53	26.54	5.43	42.11	25.32	6.12
	67 (19.4)	51.48	38.05	3.49	49.06	37.05	3.89	46.53	36.02	4.35	43.86	34.94	4.87	41.00	33.80	5.46	37.80	32.58	6.20
1800	62 (16.7)	47.45	46.27	3.50	45.69	45.69	3.90	44.03	44.03	4.36	41.94	41.94	4.88	39.69	39.69	5.47	37.12	37.12	6.21
	57 (13.9)	47.87	47.87	3.49	46.01	46.01	3.90	44.04	44.04	4.36	41.95	41.95	4.88	39.69	39.69	5.47	37.13	37.13	6.21

COOLING INDOOR MODEL	CAPACITY			POWER	FURNACE MODEL		
	Total	Sens†	Total		Total	Sens†	Total
*CAP**4821A**	1.00	1.00	0.96	CSPH*6012A**	1.00	0.96	353AAV048080
CAP**4817A**	0.99	0.99	0.94	CAP**4821A**	0.98	0.94	353AAV060100
CAP**4824A**	1.00	1.00	0.94	CAP**6021A**	1.00	0.94	353AAV060100
CAP**6021A**	1.02	1.02	0.94	CNPH*4821A**	0.98	0.94	353AAV060100
CAP**6024A**	1.02	1.02	0.94	CNPH*6024A**	1.00	0.94	353AAV060100
CNPH*4818A**	0.98	0.98	0.94	CNPV*4821A**	0.98	0.94	353AAV060100
CNPH*4821A**	1.00	1.00	0.94	CNPH*4812A**	0.98	0.94	353AAV060100
CNPH*6024A**	1.02	1.02	0.94	CSPH*6012A**	1.00	0.94	353AAV060100
CNPV*4221A**	0.97	0.97	0.94	CAP**4824A**	0.99	0.95	353AAV060120
CNPV*4824A**	1.00	1.00	0.94	CAP**6024A**	1.00	0.94	353AAV060120
CNPV*6024A**	1.02	1.02	0.94	CNPH*4821A**	0.99	0.95	353AAV060120
CSPH*4812A**	0.99	0.99	0.94	CNPH*6024A**	1.00	0.94	353AAV060120
FE4AN(B,F)005	1.01	0.97	0.96	CNPV*4812A**	0.99	0.95	353AAV060120
FE4AN(B)006	1.02	1.01	0.96	CSPH*6012A**	1.00	0.94	353AAV060120
FV4BN(B,F)005	1.01	0.97	0.96	CAP**4821A**	0.98	0.94	355(A,C)AV060080
FV4BN(B)006	1.02	1.01	0.96	CAP**6021A**	1.00	0.98	355(A,C)AV060080
FV4BN(B,F)048	1.02	1.00	0.96	CNPH*4821A**	0.98	0.98	355(A,C)AV060080
FV4BN(B,F)060	1.03	1.01	0.96	CNPH*6024A**	1.00	0.98	355(A,C)AV060080
FV4AN(B)060	1.01	1.01	1.01	CNPV*4221A**	0.97	0.97	355(A,C)AV060080
FV4AN(B)048	1.00	1.00	1.00	CNPV*4821A**	0.98	0.98	355(A,C)AV060080
CAP**4817A**	0.99	0.97	0.96	CSPH*4812A**	0.97	0.97	355(A,C)AV060080
CNPH*4821A**	0.98	0.98	0.96	CSPH*6012A**	0.98	0.96	355(A,C)AV060080
CNPH*6024A**	1.00	0.98	0.96	CAP**4821A**	0.98	0.94	355(A,C)AV060100
CSPH*4812A**	0.97	0.95	0.95	CNPH*4821A**	0.98	0.96	355(A,C)AV060100
CSPH*6012A**	0.98	0.96	0.96	CNPH*6024A**	1.00	0.98	355(A,C)AV060100
CAP**4821A**	0.98	0.96	0.96	CAP**4824A**	0.98	0.96	355(A,C)AV060120
CAP**6021A**	1.03	1.01	1.01	CAP**6024A**	1.00	0.96	355(A,C)AV060120
CNPH*4821A**	0.99	0.97	0.97	CNPV*4824A**	0.99	0.97	355(A,C)AV060120
CNPH*6024A**	1.00	0.98	0.98	CNPH*6024A**	1.00	0.98	355(A,C)AV060120
CNPV*4221A**	0.97	0.95	0.95	CNPH*6024A**	0.99	0.99	313*AV048070
CNPV*4821A**	0.98	0.96	0.96	CSPH*6012A**	1.00	1.00	313*AV048070
CAP**4824A**	0.99	0.97	0.97	CAP**4821A**	0.98	0.94	313*AV048090
CAP**6024A**	1.01	0.97	0.97	CAP**6021A**	1.01	0.95	313*AV048090
CNPV*4824A**	0.99	0.97	0.97	CNPH*4812A**	0.99	0.95	313*AV048090
CNPV*6024A**	1.00	0.96	0.96	CNPH*6024A**	1.00	0.94	313*AV048090
CAP**4817A**	0.99	0.97	0.97	CNPH*4821A**	0.99	0.95	313*AV048090
CNPH*4812A**	0.99	0.97	0.97	CSPH*4812A**	0.99	0.95	313*AV048090
CNPH*6024A**	1.00	0.96	0.96	CSPH*6012A**	1.00	0.94	313*AV048090
CSPH*4812A**	0.99	0.97	0.97	CAP**4821A**	0.98	0.94	313*AV060110
CSPH*6012A**	1.00	0.96	0.96	CAP**6021A**	1.00	0.94	313*AV060110
CAP**4817A**	0.99	0.97	0.97	CNPH*4821A**	0.99	0.94	313*AV060110
CNPH*4812A**	1.00	0.96	0.96	CNPH*6024A**	1.00	0.94	313*AV060110
CSPH*4812A**	0.99	0.97	0.97	CSPH*4812A**	0.99	0.94	313*AV060110

See notes on pg. 34

DETAILED COOLING CAPACITIES# CONTINUED

EVAPORATOR AIR		CONDENSER ENTERING AIR TEMPERATURES ° F (° C)											
CFM	EWB ° F (° C)	75 (23.9)		85 (29.4)		95 (35)		105 (40.6)		115 (46.1)		125 (51.7)	
		Capacity MBtuh	Total Sys. KW**	Capacity MBtuh	Total Sys. KW**	Capacity MBtuh	Total Sys. KW**	Capacity MBtuh	Total Sys. KW**	Capacity MBtuh	Total Sys. KW**	Capacity MBtuh	Total Sys. KW**
		Total	Sens†	Total	Sens†	Total	Sens†	Total	Sens†	Total	Sens†	Total	Sens†
1750	72 (22.2)	67.65	35.66	64.56	34.48	61.30	33.25	57.89	31.98	54.20	30.63	50.10	29.15
	67 (19.4)	62.07	43.94	59.24	42.75	56.25	41.50	53.12	40.22	49.74	38.85	46.03	37.38
	62 (16.7)	57.01	52.17	54.45	50.95	51.79	49.66	49.04	48.27	46.34	46.34	43.50	43.50
	57 (13.9)	55.50	55.50	53.42	53.42	51.22	48.89	48.89	48.89	48.89	46.35	43.51	43.51
	72 (22.2)	68.69	37.30	65.46	36.09	62.07	34.85	58.54	32.19	54.71	32.19	50.48	30.89
2000	67 (19.4)	63.07	46.60	60.11	45.38	57.00	44.12	53.75	42.82	50.27	41.45	46.44	39.94
	62 (16.7)	58.17	55.80	55.57	54.47	52.95	52.95	50.49	50.49	47.78	47.78	44.74	44.74
	57 (13.9)	57.57	57.57	55.35	55.35	52.89	52.89	50.50	50.50	47.78	47.78	44.74	44.74
	72 (22.2)	69.44	38.83	66.10	37.62	62.81	36.36	58.97	35.06	55.04	33.67	50.70	32.16
	67 (19.4)	63.79	49.12	60.73	47.89	57.53	46.62	54.20	45.31	50.63	43.90	46.72	42.34
2250	62 (16.7)	59.18	59.18	56.90	56.90	54.41	54.41	51.77	51.77	48.91	48.91	45.70	45.70
	57 (13.9)	59.25	59.25	56.90	56.90	54.42	54.42	51.78	51.78	48.91	48.91	45.70	45.70

COOLING INDOOR MODEL	CAPACITY	POWER	FURNACE MODEL	COOLING INDOOR MODEL	CAPACITY	POWER	FURNACE MODEL	COOLING INDOOR MODEL	CAPACITY	POWER	FURNACE MODEL	COOLING INDOOR MODEL	CAPACITY	POWER	FURNACE MODEL
CAP**6021A**	0.98	0.98		CSPH*6012A**	0.97	0.95	315(A-J)AV066135	CNPV*6024A**	0.98	0.97	353AAV060120	CSPH*6012A**	0.97	0.96	353AAV060120
CNPV*6024A**	0.99	0.99		CAP**6024A**	0.98	0.97	315(A-J)AV066155	CNPV*6024A**	0.98	0.97	353AAV060120	CNPV*6024A**	0.97	0.97	313*AV048090
CSPH*6012A**	0.98	0.98		CNPV*6024A**	0.98	0.97	315(A-J)AV066155	CSPH*6012A**	0.97	0.95	313*AV048090	CAP**6021A**	0.97	0.97	313*AV060110
FE4NB006	0.99	0.97		CSPH*6012A**	0.97	0.97	315(A-J)AV066155	CNPV*6024A**	0.97	0.97	353AAV048090	CNPV*6024A**	0.97	0.97	313*AV060110
FV4BNB006	0.99	0.97		CNPV*6024A**	0.97	0.97	353AAV048090	CSPH*6012A**	0.97	0.97	353AAV060100	CAP**6024A**	0.97	0.97	313*AV060110
FX4CNB.F060	1.01	1.01		CSPH*6012A**	0.97	0.97	353AAV048090	CNPV*6024A**	0.97	0.96	353AAV060100	CNPV*6024A**	0.97	0.97	313*AV060135
FY4ANB080	0.98	0.98		CAP**6021A**	0.97	0.96	353AAV060100	CNPV*6024A**	0.97	0.96	353AAV060100	CAP**6024A**	0.97	0.97	313*AV060135
CAP**6021A**	0.97	0.97	315(A-J)AV060110	CNPV*6024A**	0.97	0.96	353AAV060100	CAP**6024A**	0.97	0.96	353AAV060100	CNPV*6024A**	0.97	0.97	313*AV060135
CSPH*6012A**	0.97	0.97	315(A-J)AV060110	CSPH*6012A**	0.97	0.96	353AAV060100	CAP**6024A**	0.97	0.96	353AAV060100	CSPH*6012A**	0.97	0.97	313*AV060135
CAP**6024A**	0.98	0.98	315(A-J)AV066135	CAP**6024A**	0.97	0.96	353AAV060100	CAP**6024A**	0.97	0.96	353AAV060100	CSPH*6012A**	0.97	0.97	313*AV060135
CNPV*6024A**	0.97	0.96	315(A-J)AV066135	CAP**6024A**	0.97	0.96	353AAV060120								

\* Tested combination.  
 † Total and sensible capacities are net capacities. Blower motor heat has been subtracted.  
 ‡ Sensible capacities shown are based on 80° F (27° C) entering air at the indoor coil. For sensible capacities at other than 80° F (27° C), deduct 835 Btuh (245 kW) per 1000 CFM (480 L/S) of indoor coil air for each degree below 80° F (27° C), or add 835 Btuh (245 kW) per 1000 CFM (480 L/S) of indoor coil air per degree above 80° F (27° C).  
 # Detailed cooling capacities are based on indoor and outdoor unit at the same elevation per AHRI standard 210/240-94. If additional tubing length and/or indoor unit is located above outdoor unit, a slight variation in capacity may occur.  
 \*\* System kw is total of indoor and outdoor unit kilowatts.  
 †† At TVA rating indoor condition (75° F edb/63° F ewb). All other indoor air temperatures are at 80° F edb.  
**NOTE:** When the required data falls between the published data, interpolation may be performed. Extrapolation is not an acceptable practice.  
**EWB** — Entering Wet Bulb

# CONDENSER ONLY RATINGS\*

SST ° F (° C)		CONDENSER ENTERING AIR TEMPERATURES ° F (° C)							
		55 (12.78)	65 (18.33)	75 (23.89)	85 (29.44)	95 (35.0)	105 (40.56)	115 (46.11)	125 (51.67)
<b>123A*A018-C</b>									
30 (-1.11)	TCG	15.90	15.00	14.10	13.10	12.20	11.20	10.20	9.10
	SDT	67.80	77.30	86.80	96.30	105.90	115.50	125.10	134.80
	KW	0.80	0.92	1.06	1.20	1.36	1.54	1.73	1.92
35 (1.67)	TCG	17.50	16.50	15.50	14.50	13.50	12.50	11.40	10.20
	SDT	68.80	78.20	87.70	97.20	106.70	116.20	125.80	135.40
	KW	0.80	0.92	1.05	1.20	1.36	1.54	1.73	1.94
40 (4.44)	TCG	19.20	18.20	17.10	16.00	14.90	13.80	12.60	11.40
	SDT	69.80	79.20	88.70	98.10	107.50	117.00	126.50	136.00
	KW	0.79	0.91	1.05	1.20	1.36	1.54	1.74	1.95
45 (7.22)	TCG	21.00	19.90	18.80	17.60	16.40	15.20	14.00	12.60
	SDT	70.90	80.30	89.70	99.10	108.40	117.80	127.20	136.70
	KW	0.79	0.91	1.05	1.20	1.36	1.54	1.74	1.95
50 (10.0)	TCG	22.90	21.70	20.40	19.20	17.90	16.60	15.30	13.90
	SDT	72.00	81.40	90.70	100.10	109.30	118.70	128.00	137.30
	KW	0.79	0.91	1.04	1.19	1.36	1.54	1.74	1.95
55 (12.78)	TCG	24.80	23.50	22.10	20.80	19.40	18.00	16.70	15.20
	SDT	73.10	82.50	91.80	101.10	110.30	119.50	128.80	138.00
	KW	0.78	0.90	1.04	1.19	1.36	1.54	1.74	1.95
<b>123A*A024-C</b>									
30 (-1.11)	TCG	21.20	20.00	18.80	17.60	16.40	15.10	13.80	12.50
	SDT	71.90	81.20	90.60	100.10	109.50	119.00	128.60	138.20
	KW	1.04	1.19	1.37	1.56	1.77	2.01	2.26	2.53
35 (1.67)	TCG	23.30	22.10	20.80	19.50	18.20	16.80	15.40	13.90
	SDT	73.20	82.50	91.80	101.10	110.50	119.90	129.40	139.00
	KW	1.03	1.19	1.37	1.56	1.77	2.01	2.27	2.54
40 (4.44)	TCG	25.60	24.20	22.90	21.50	20.00	18.60	17.10	15.50
	SDT	74.60	83.80	93.00	102.30	111.50	120.90	130.30	139.70
	KW	1.03	1.19	1.37	1.56	1.78	2.01	2.27	2.55
45 (7.22)	TCG	28.00	26.50	25.00	23.50	22.00	20.40	18.80	17.10
	SDT	76.00	85.10	94.30	103.50	112.60	121.90	131.20	140.50
	KW	1.03	1.19	1.37	1.56	1.78	2.01	2.27	2.55
50 (10.0)	TCG	30.50	28.90	27.30	25.70	24.00	22.30	20.60	18.80
	SDT	77.50	86.60	95.60	104.70	113.80	122.90	132.10	141.20
	KW	1.03	1.19	1.37	1.56	1.77	2.01	2.27	2.55
55 (12.78)	TCG	33.00	31.30	29.60	27.80	26.10	24.30	22.40	20.40
	SDT	79.00	88.00	97.00	106.00	114.90	124.00	133.00	142.00
	KW	1.03	1.19	1.37	1.56	1.77	2.01	2.27	2.55
<b>123A*A030-C</b>									
30 (-1.11)	TCG	24.60	23.30	22.00	20.60	19.10	17.70	16.10	14.50
	SDT	72.10	81.50	91.00	100.60	110.20	120.00	129.90	139.90
	KW	1.33	1.50	1.69	1.91	2.14	2.40	2.67	2.97
35 (1.67)	TCG	27.10	25.70	24.30	22.80	21.30	19.70	18.00	16.20
	SDT	73.40	82.70	92.20	101.60	111.20	120.90	130.70	140.60
	KW	1.34	1.51	1.70	1.91	2.14	2.40	2.69	3.00
40 (4.44)	TCG	29.80	28.30	26.80	25.20	23.50	21.80	20.00	18.20
	SDT	74.70	84.00	93.30	102.70	112.20	121.80	131.50	141.30
	KW	1.34	1.51	1.70	1.91	2.15	2.41	2.70	3.01
45 (7.22)	TCG	32.70	31.10	29.40	27.70	26.00	24.10	22.20	20.20
	SDT	76.10	85.20	94.50	103.80	113.10	122.70	132.30	142.00
	KW	1.35	1.52	1.71	1.92	2.15	2.42	2.71	3.02
50 (10.0)	TCG	35.80	34.10	32.30	30.50	28.60	26.60	24.60	22.40
	SDT	77.50	86.60	95.70	104.90	114.20	123.60	133.10	142.60
	KW	1.35	1.52	1.71	1.92	2.16	2.42	2.71	3.03
55 (12.78)	TCG	39.10	37.20	35.30	33.40	31.30	29.30	27.10	24.80
	SDT	79.00	88.00	97.00	106.10	115.20	124.50	133.90	143.30
	KW	1.36	1.53	1.72	1.93	2.16	2.42	2.71	3.03
<b>123A*A036-C</b>									
30 (-1.11)	TCG	31.50	29.90	28.20	26.50	24.70	22.80	20.90	18.80
	SDT	72.10	81.10	90.20	99.30	108.50	117.70	127.00	136.30
	KW	1.62	1.82	2.05	2.31	2.59	2.90	3.23	3.58
35 (1.67)	TCG	34.70	32.90	31.10	29.20	27.30	25.30	23.20	21.00
	SDT	73.70	82.50	91.50	100.50	109.60	118.70	127.90	137.10
	KW	1.63	1.83	2.06	2.32	2.60	2.91	3.25	3.61
40 (4.44)	TCG	38.10	36.20	34.20	32.20	30.10	27.90	25.70	23.30
	SDT	75.30	84.00	92.80	101.80	110.70	119.80	128.90	138.00
	KW	1.64	1.84	2.07	2.33	2.62	2.93	3.27	3.63
45 (7.22)	TCG	41.70	39.60	37.50	35.30	33.10	30.70	28.30	25.70
	SDT	77.00	85.60	94.30	103.10	112.00	121.00	129.90	138.90
	KW	1.65	1.86	2.09	2.34	2.63	2.94	3.28	3.65
50 (10.0)	TCG	45.60	43.30	41.00	38.60	36.20	33.70	31.00	28.20
	SDT	78.90	87.30	95.90	104.60	113.30	122.20	131.00	139.90
	KW	1.67	1.87	2.10	2.36	2.64	2.96	3.30	3.67
55 (12.78)	TCG	49.60	47.10	44.60	42.00	39.40	36.70	33.80	30.80
	SDT	80.80	89.10	97.50	106.10	114.70	123.40	132.10	140.80
	KW	1.69	1.89	2.12	2.38	2.66	2.97	3.31	3.68

123A

See notes on page 36

# CONDENSER ONLY RATINGS\* CONTINUED

SST °F (°C)		CONDENSER ENTERING AIR TEMPERATURES °F (°C)							
		55 (12.78)	65 (18.33)	75 (23.89)	85 (29.44)	95 (35.0)	105 (40.56)	115 (46.11)	125 (51.67)
<b>123A*A042 - C</b>									
30 (-1.11)	TCG	38.00	36.00	33.90	31.90	29.70	27.60	25.30	22.90
	SDT	73.20	82.30	91.40	100.60	109.80	119.10	128.40	137.70
	KW	1.95	2.20	2.48	2.80	3.14	3.53	3.95	4.41
35 (1.67)	TCG	41.90	39.70	37.40	35.10	32.80	30.50	28.00	25.50
	SDT	74.80	83.70	92.80	101.90	111.00	120.20	129.40	138.60
	KW	1.97	2.22	2.50	2.81	3.16	3.54	3.97	4.43
40 (4.44)	TCG	46.00	43.60	41.10	38.70	36.20	33.60	30.90	28.10
	SDT	76.40	85.20	94.20	103.20	112.20	121.30	130.40	139.50
	KW	1.98	2.23	2.52	2.83	3.18	3.56	3.98	4.44
45 (7.22)	TCG	50.30	47.70	45.10	42.40	39.60	36.80	33.90	30.90
	SDT	78.10	86.90	95.70	104.60	113.50	122.50	131.40	140.40
	KW	2.01	2.26	2.54	2.85	3.19	3.58	4.00	4.45
50 (10.0)	TCG	54.90	52.10	49.20	46.20	43.20	40.20	37.00	33.60
	SDT	80.00	88.60	97.20	106.00	114.80	123.70	132.50	141.30
	KW	2.03	2.28	2.56	2.87	3.21	3.60	4.01	4.47
55 (12.78)	TCG	59.70	56.60	53.40	50.20	46.90	43.50	40.10	36.40
	SDT	81.90	90.30	98.90	107.50	116.20	124.90	133.60	142.20
	KW	2.06	2.30	2.58	2.89	3.23	3.62	4.03	4.48
<b>123A*A048 - C</b>									
30 (-1.11)	TCG	41.60	39.30	37.10	34.80	32.40	30.00	27.40	24.80
	SDT	73.90	83.20	92.60	101.90	111.30	120.80	130.20	139.70
	KW	2.24	2.54	2.87	3.24	3.64	4.08	4.56	5.08
35 (1.67)	TCG	45.80	43.40	40.90	38.50	35.90	33.30	30.60	27.70
	SDT	75.40	84.70	93.90	103.20	112.50	121.90	131.30	140.70
	KW	2.25	2.55	2.88	3.25	3.66	4.10	4.59	5.11
40 (4.44)	TCG	50.30	47.70	45.10	42.40	39.60	36.80	33.90	30.90
	SDT	77.00	86.20	95.30	104.50	113.80	123.00	132.30	141.60
	KW	2.26	2.56	2.89	3.26	3.67	4.12	4.61	5.14
45 (7.22)	TCG	55.10	52.30	49.50	46.60	43.60	40.60	37.50	34.20
	SDT	78.60	87.70	96.80	105.90	115.00	124.20	133.40	142.60
	KW	2.27	2.57	2.90	3.27	3.68	4.13	4.62	5.15
50 (10.0)	TCG	60.20	57.20	54.20	51.10	47.90	44.60	41.20	37.70
	SDT	80.30	89.40	98.40	107.40	116.40	125.50	134.50	143.50
	KW	2.28	2.59	2.92	3.29	3.70	4.15	4.64	5.17
55 (12.78)	TCG	65.70	62.50	59.20	55.80	52.40	48.90	45.20	41.30
	SDT	82.10	91.10	100.00	108.90	117.80	126.80	135.70	144.50
	KW	2.30	2.60	2.94	3.30	3.71	4.16	4.65	5.18
<b>123A*A060 - C</b>									
30 (-1.11)	TCG	53.30	50.40	47.40	44.50	41.50	38.40	35.20	31.90
	SDT	74.40	83.30	92.20	101.30	110.40	119.50	128.60	137.70
	KW	2.61	2.94	3.32	3.73	4.20	4.71	5.27	5.88
35 (1.67)	TCG	58.70	55.50	52.20	49.00	45.70	42.30	38.90	35.20
	SDT	76.10	84.90	93.70	102.70	111.70	120.70	129.70	138.70
	KW	2.65	2.98	3.36	3.77	4.24	4.75	5.31	5.91
40 (4.44)	TCG	64.30	60.80	57.30	53.80	50.20	46.50	42.60	38.60
	SDT	78.00	86.60	95.30	104.20	113.00	121.90	130.80	139.60
	KW	2.70	3.03	3.40	3.82	4.28	4.79	5.35	5.95
45 (7.22)	TCG	70.30	66.50	62.70	58.80	54.80	50.70	46.50	42.10
	SDT	79.90	88.40	97.00	105.70	114.50	123.20	132.00	140.60
	KW	2.75	3.08	3.46	3.87	4.33	4.84	5.39	5.99
50 (10.0)	TCG	76.70	72.50	68.20	64.00	59.60	55.20	50.60	45.60
	SDT	82.00	90.40	98.80	107.40	116.00	124.60	133.20	141.70
	KW	2.81	3.14	3.51	3.93	4.38	4.89	5.44	6.03
55 (12.78)	TCG	83.30	78.70	74.10	69.40	64.60	59.70	54.70	49.30
	SDT	84.20	92.40	100.70	109.10	117.50	126.00	134.40	142.70
	KW	2.87	3.20	3.57	3.98	4.44	4.94	5.48	6.07

\* AHRI listing applies only to systems shown in Combination Ratings table.

**KW** - Outdoor Unit Kilowatts Only.

**SDT** - Saturated Temperature Leaving Compressor (°F)

**SST** - Saturated Temperature Entering Compressor (°F/°C)

**TCG** - Gross Cooling Capacity (1000 Btuh)

123A

# GUIDE SPECIFICATIONS

## GENERAL

### System Description

Outdoor-mounted, air-cooled, split-system air conditioner unit suitable for ground or rooftop installation. Unit consists of a hermetic compressor, an air-cooled coil, propeller-type condenser fan, and a control box. Unit will discharge supply air upward as shown on contract drawings. Unit will be used in a refrigeration circuit to match up to a packaged fan coil or coil unit.

### Quality Assurance

- Unit will be rated in accordance with the latest edition of AHRI Standard 210.
- Unit will be certified for capacity and efficiency, and listed in the latest AHRI directory.
- Unit construction will comply with latest edition of ANSI/ASHRAE and with NEC.
- Unit will be constructed in accordance with UL standards and will carry the UL label of approval. Unit will have c-UL-us approval.
- Unit cabinet will be capable of withstanding Federal Test Method Standard No. 141 (Method 6061) 500-hr salt spray test.
- Air-cooled condenser coils will be leak tested at 150 psig and pressure tested at 450 psig.
- Unit constructed in ISO9001 approved facility.

### Delivery, Storage, and Handling

- Unit will be shipped as single package only and is stored and handled per unit manufacturer's recommendations.

### Warranty (for inclusion by specifying engineer)

- U.S. and Canada only.

## PRODUCTS

### Equipment

Factory assembled, single piece, air-cooled air conditioner unit. Contained within the unit enclosure is all factory wiring, piping, controls, compressor, refrigerant charge Puron® (R-410A), and special features required prior to field start-up.

### Unit Cabinet

- Unit cabinet will be constructed of galvanized steel, bonderized, and coated with a powder coat paint.

## AIR-COOLED, SPLIT-SYSTEM AIR CONDITIONER

123A

1-1/2 TO 5 NOMINAL TONS

### Fans

- Condenser fan will be direct-drive propeller type, discharging air upward.
- Condenser fan motors will be totally enclosed, 1-phase type with class B insulation and permanently lubricated bearings. Shafts will be corrosion resistant.
- Fan blades will be statically and dynamically balanced.
- Condenser fan openings will be equipped with coated steel wire safety guards.

### Compressor

- Compressor will be hermetically sealed.
- Compressor will be mounted on rubber vibration isolators.

### Condenser Coil

- Condenser coil will be air cooled.
- Coil will be constructed of aluminum fins mechanically bonded to copper tubes which are then cleaned, dehydrated, and sealed.

### Refrigeration Components

- Refrigeration circuit components will include liquid-line shutoff valve with sweat connections, vapor-line shutoff valve with sweat connections, system charge of Puron® (R-410A) refrigerant, and compressor oil.
- Unit will be equipped with high-pressure switch, low pressure switch and filter drier for Puron refrigerant.

### Operating Characteristics

- The capacity of the unit will meet or exceed \_\_\_\_\_ Btuh at a suction temperature of \_\_\_\_\_ °F/°C. The power consumption at full load will not exceed \_\_\_\_\_ kW.
- Combination of the unit and the evaporator or fan coil unit will have a total net cooling capacity of \_\_\_\_\_ Btuh or greater at conditions of \_\_\_\_\_ CFM entering air temperature at the evaporator at \_\_\_\_\_ °F/°C wet bulb and \_\_\_\_\_ °F/°C dry bulb, and air entering the unit at \_\_\_\_\_ °F/°C.
- The system will have a SEER of \_\_\_\_\_ Btuh/watt or greater at DOE conditions.

### Electrical Requirements

- Nominal unit electrical characteristics will be \_\_\_\_\_ v, single phase, 60 hz. The unit will be capable of satisfactory operation within voltage limits of \_\_\_\_\_ v to \_\_\_\_\_ v.
- Unit electrical power will be single point connection.
- Control circuit will be 24v.

### Special Features

- Refer to section of this literature identifying accessories and descriptions for specific features and available enhancements.



## Free Manuals Download Website

<http://myh66.com>

<http://usermanuals.us>

<http://www.somanuals.com>

<http://www.4manuals.cc>

<http://www.manual-lib.com>

<http://www.404manual.com>

<http://www.luxmanual.com>

<http://aubethermostatmanual.com>

Golf course search by state

<http://golfingnear.com>

Email search by domain

<http://emailbydomain.com>

Auto manuals search

<http://auto.somanuals.com>

TV manuals search

<http://tv.somanuals.com>