

# NEW Bush Hog® TOUGH 2715Legend Flex Wing Cutter



## Bush Hog TOUGH Just Got Tougher

The Bush Hog TOUGH 2715Legend sets a new standard for flex wing cutter performance the first day on the job and for years to come. It's authentic Bush Hog. With 10 Bush Hog TOUGH features.



**BUSH HOG®**  
Performance You Can Count On<sup>SM</sup>



# BUSH HOG... Choose The Original.

**Get everything that made Bush Hog flex wing cutters famous and a whole lot more**

Bush Hog is the original. Bush Hog is the number one rotary cutter manufacturer. Bush Hog flex wings have been the best selling rotary cutters for more than 30 years. They mow more acres than any other rotary cutter brand. They are a legend in the industry. They set the standard for rotary cutters. Now the Bush Hog 2715Legend sets a new standard for flex wing cutters and for all rotary cutters. Now the TOUGH are TOUGHER.



**NEW** Bush Hog® TOUGH  
2715Legend  
Flex Wing Cutter



# 10 Bush Hog TOUGH Features

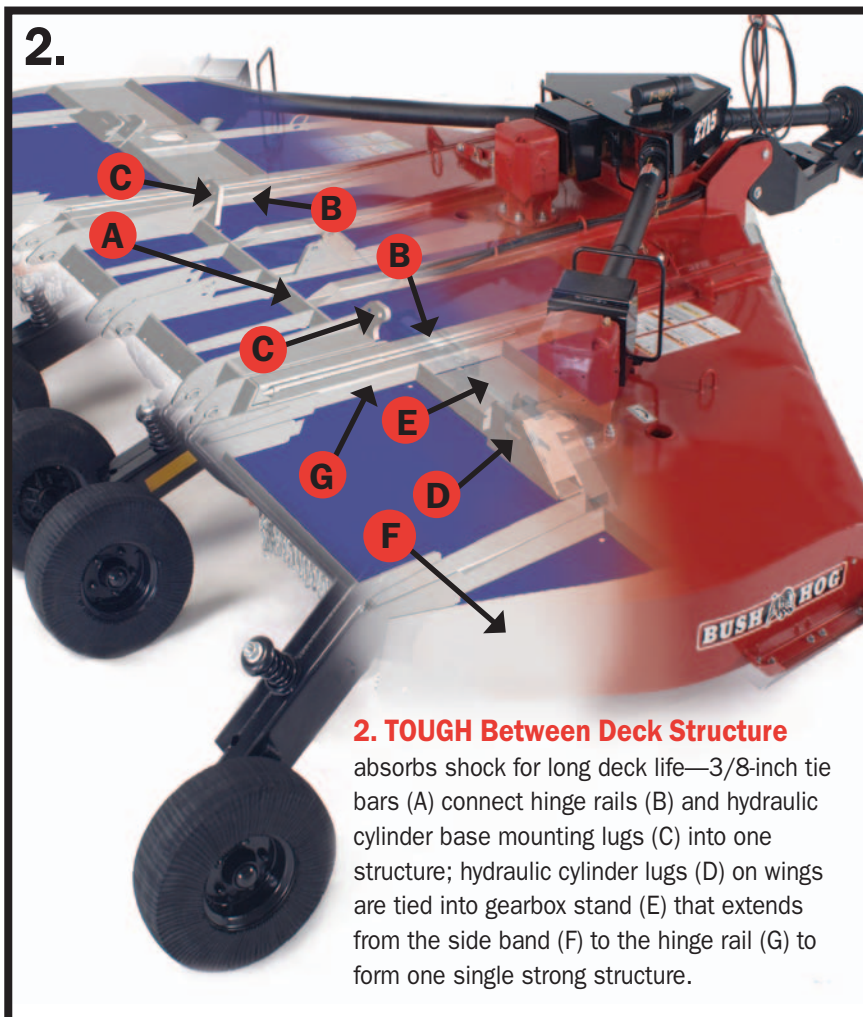
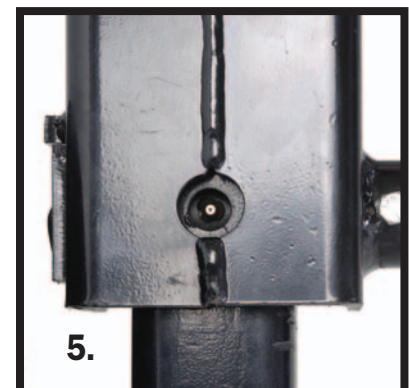
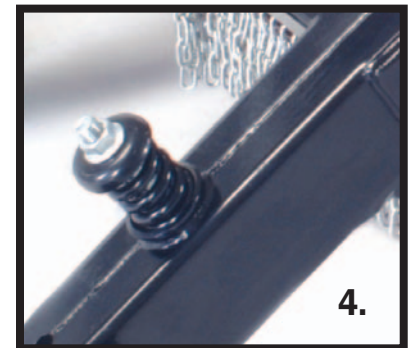
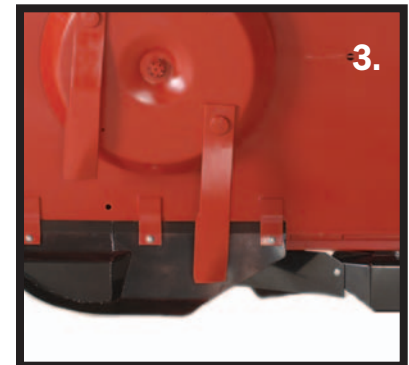
**1. TOUGH EZ Clean Double Deck** sheds water and debris — decks total over 1/4-inch thick steel and are tied directly to strong backs. They are curved to shed water and debris and have drain holes for condensation.

**2. TOUGH Between Deck Structure** absorbs shock for long deck life—3/8-inch tie bars connect hinge rails and hydraulic cylinder base mounting lugs into one structure. Hydraulic cylinder lugs on wings are tied into gearbox stand that extends from the side band to the hinge rail to form one single strong structure.

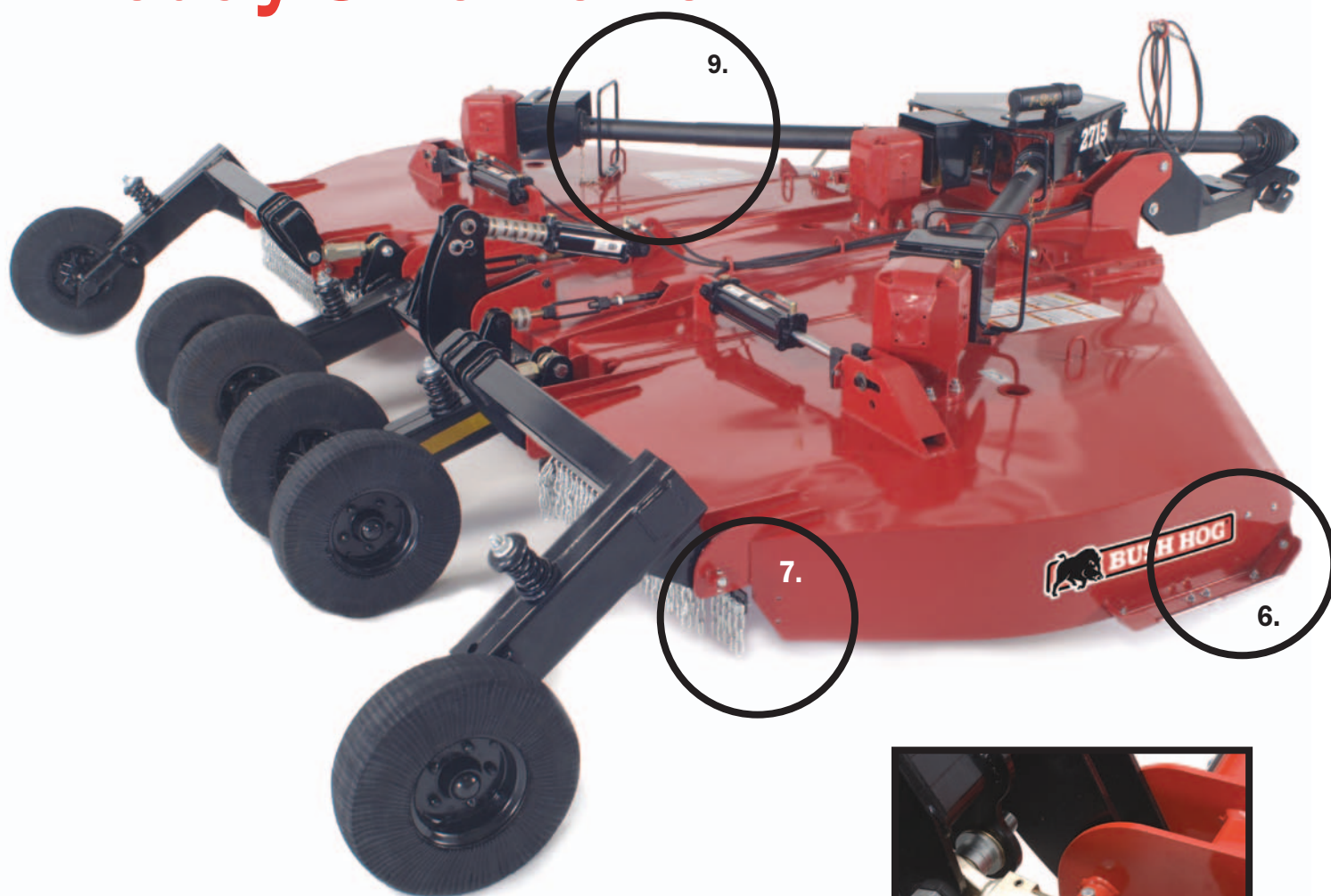
**3. TOUGH Distribution Baffles** keep debris in each cutting circle to prevent windrows. Baffles are constructed of 7-gauge steel and attached with bolts for quick removal.

**4. TOUGH Spring Steel Cushions** absorb shock loads. Cushions are strategically located at the axle where shock loads occur.

**5. TOUGH Axles** that can take bruising punishment. Axles are equipped with easy-to-reach grease fittings and use strong retaining bolt through the pivot pin.



# Mean Better Performance Today & Tomorrow



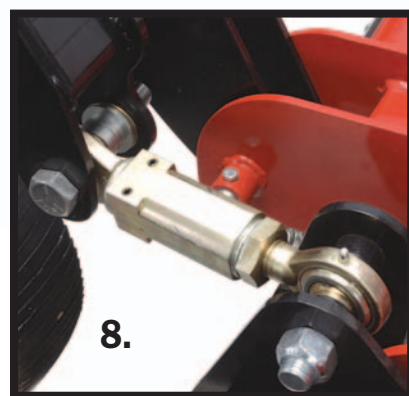
**6. TOUGH Wing Skids** that last. Skids are built of 7-gauge steel, mounted on the outside of wings and turned up at 45 degree angle to reduce dig in on turns.

**7. TOUGH Pivot Points** are built to stand up to constant heavy loads. Pivot points are easy to grease from the top, made of hardened steel, use replaceable bushings, feature Grade 5 steel pins, use 3/8-inch steel gussets.

**8. TOUGH Long-Lasting Turnbuckles** make adjustments easy now and for years to come. Turnbuckles are easy to reach for leveling adjustments and easy to grease for long life and easy turning.

**9. TOUGH Drivelines** are built to last. Rugged driveline is designed for easy maintenance. Rear and front grease fitting align so they are easy and quick to service.

**10. TOUGH Perma-Level® Hitch** remains level on tractor drawbar. Bolt retainer adds additional strength to pivot pin.



# NEW Bush Hog® TOUGH 2715 Flex Wing Cutter

## 2715 Flexwing Cutter

<b>Cutting Width</b>	15 ft.
<b>PTO</b>	540 or 1000 RPM
<b>Hitch</b>	Perma-Level Hitch or 2-inch ball
<b>Minimum tractor requirement</b>	60 HP
<b>Side Band</b>	1/4-inch x 12 1/2-inch
<b>Blade Holder</b>	Round
<b>Blades</b>	1/2-inch x 4-inch
<b>Blade Overlap</b>	6-inch
<b>PTO Drivelines</b>	540 PTO, ASAE Cat. 5 C.V. or Cardan/jackshaft 1000 PTO, ASAE Cat. 4, 1 3/8 or 1 3/4 CV or Cardan/jackshaft
<b>Wing Drivelines</b>	ASAE cat 4 with slipclutch
<b>Wing Flex</b>	90° up to 22° down
<b>Splitter Gearbox</b>	235 HP
<b>Center And Wing Gearbox</b>	205 HP
<b>Jack Stand</b>	Built into tongue
<b>Blade Tip Speed</b>	16,000 ft/min
<b>Cutting Capacity</b>	3 1/2-inch diameter
<b>Cutting Height</b>	2-inch to 14-inch
<b>Top Deck</b>	11 gauge
<b>Bottom Deck</b>	10 gauge
<b>Axle Tube Pivots</b>	Greasable bushings
<b>Axle Arm Pivots</b>	Greasable
<b>Wing Adjustment</b>	Greasable turnbuckles
<b>Grass Baffles</b>	Standard
<b>Hydraulic Height Control</b>	Standard
<b>Safety Tow Chain</b>	Standard
<b>Deck Rings</b>	Optional

## Warranty

- 1-year unit structure limited warranty
- 6-year gearbox limited warranty

Authentic Bush Hog® Bush Hog brand rotary cutters are famous for their durability. They deliver quality performance the first day on the job and for years into the future. All Bush Hog brand products deliver durability that means long-term performance. Be sure you buy authentic Bush Hog. Look for the charging hog and the brand name Bush Hog.



[www.bushhog.com](http://www.bushhog.com)

Bush Hog®, L.L.C.  
P.O. Box 1039 Selma, AL 36702-1039  
(334) 874-2700

©November 2006 Bush Hog, LLC

## Free Manuals Download Website

<http://myh66.com>

<http://usermanuals.us>

<http://www.somanuals.com>

<http://www.4manuals.cc>

<http://www.manual-lib.com>

<http://www.404manual.com>

<http://www.luxmanual.com>

<http://aubethermostatmanual.com>

Golf course search by state

<http://golfingnear.com>

Email search by domain

<http://emailbydomain.com>

Auto manuals search

<http://auto.somanuals.com>

TV manuals search

<http://tv.somanuals.com>