

# RMB1445 BOOM MOWER

## BUSH HOG®

### HYDRAULIC BOOM CUTTER

Published 03/11

## PART'S MANUAL SECTION 91



An Operator's Manual was shipped with the equipment . The Operator's Manual is an integral part of the safe operation of this machine and must be maintained with the unit at all times. **READ, UNDERSTAND, and FOLLOW** the Safety and Operation Instructions contained in this manual before operating the equipment. If the Operator's Manual is not with the equipment, contact your dealer or Bush Hog to obtain a Free copy before operating the equipment.



**BUSH HOG®**

2501 Griffin Ave.  
Selma, AL 36703  
Parts Ordering 1-800-304-2836  
www.bushhog.com

**ATENCIÓN!** LEA EL INSTRUCTIVO

Si No Lee Ingles, Pida Ayuda a Alguien  
Que Si Lo Lea Para Que le Traduzca las  
Medidas de Seguridad.



**A** MEMBER OF THE  
ALAMO GROUP  
ALWAYS ON THE CUTTING EDGE®

© 2011 Alamo Group Inc.

## PARTS ORDERING GUIDE

The following instructions are offered to help eliminate needless delay and error in processing purchase orders for the equipment in this section.

1. The Parts Section is prepared in logical sequence and grouping of parts that belong to the basic machine featured in this manual. Part Numbers and Descriptions are given to help locate the parts and quantities required.
2. The Purchase Order must include the name and address of the person or organization ordering the parts, who should be charged, and if possible, the serial number of the machine for which the parts are ordered.
3. The Purchase Order must clearly list the quantity of each part, the complete and correct part number (be sure to include all periods), and the basic name of the part.
4. The Manufacturer reserves the right to substitute parts where applicable.
5. Some parts are unlisted items which are special production items not normally stocked and are subject to special handling. Request a quotation for such parts before sending a Purchase Order.
6. The Manufacturer reserves the right to change prices without prior notice.



For maximum safety and to guarantee optimum product reliability, always use genuine BUSH HOG Parts. The use of inferior replacement parts may cause premature or catastrophic failure which could result in serious injury or death. Direct any questions regarding parts to:

**BUSH HOG**  
**2501 Griffin Ave.**  
**Selma, AL 36703**  
**[www.bushhog.com](http://www.bushhog.com)**  
**Contact Us**  
**800-304-2836**



**BUSH HOG®**

# To the Owner/Operator/Dealer

All implements with moving parts are potentially hazardous. There is no substitute for a cautious, safe-minded operator who recognizes the potential hazards and follows reasonable safety practices. The manufacturer has designed this implement to be used with all its safety equipment properly attached to minimize the chance of accidents.

**BEFORE YOU START!** Read the safety messages on the implement and shown in your manual. Observe the rules of safety and common sense!

## **DANGER**

**FAILING TO FOLLOW SAFETY MESSAGES AND OPERATING INSTRUCTION CAN CAUSE SERIOUS BODILY INJURY OR EVEN DEATH TO OPERATOR AND OTHERS IN THE AREA.**

<p>1.</p> 	<p>2. NO RIDERS. NO CHILDREN OPERATORS</p> 	<p>3. USE SAFETY SHOES, HARD HAT, SAFETY GLASSES, SEAT BELTS, ROPS &amp; OPS.</p> 	<p>4. BLOCK UP SECURELY BEFORE WORKING UNDER.</p> 
---	--	--	---

1. Study and understand Operator's Manuals, Safety Decals, and Instructional Decals for tractor and implement to prevent misuse, abuse, and accidents. Practice before operating in a confined area or near passersby.

- Learn how to stop engine suddenly in an emergency. Be alert for passersby and especially children.

2. Allow no children on or near folding mower or tractor. Allow no riders on tractor or implement. Falling off may cause serious injury or death from being run over by tractor or mower or contact with rotating blades.

3. Operate only with tractor having Roll-Over Protective Structure (ROPS) and with seat belt securely fastened to prevent injury and possible death from falling off or tractor overturn.

- Personal Protective Equipment such as Hard Hat, Safety Glasses, Safety Shoes, & Ear Plugs are recommended.

4. Block up or support raised machine and all lifted components securely before putting hands or feet under or working underneath any lifted component to prevent crushing injury or death from sudden dropping or inadvertent operation of controls. Make certain area is clear before lowering or folding.

5. Before transporting, put Lift Lever in detent or full-lift position. Install Transport Safety Devices securely on folding mowers. Put Booms securely in Transport Rest.

- Folding and Boom Mowers have raised center of gravity. Slow down when turning and on hillsides.

6. Make certain that SMV sign, warning lights, and reflectors are clearly visible. Follow local traffic codes.

7. Never operate with Cutting Head or Folding Section raised if passersby, bystanders, or traffic are in the area to reduce possibility of injury or death from objects thrown by Blades under Guards or mower structure.

8. Before dismounting, secure implement in transport position or lower to ground.

- Put tractor in park position or set brake, disengage PTO, stop engine, remove key, and wait until noise of rotation has ceased to prevent crushing by entanglement in rotating parts which could cause injury or death.
- Never mount or dismount a moving vehicle. Crushing from runover may cause serious injury or death.

<p>5. TRANSPORT SAFELY, LOCK UP.</p> 	<p>6. USE SMV, LIGHTS, &amp; REFLECTORS.</p> 	<p>7. DO NOT OPERATE WITH CUTTER OR WING RAISED</p> 	<p>8. DO NOT MOUNT OR DISMOUNT WHILE MOVING.</p> 
--	--	--	--

02967827

## WARRANTY INFORMATION:

Read and understand the complete Warranty Statement found in this Manual. Fill out the Warranty Registration Form in full and return it to within 30 Days. Make certain the Serial Number of the Machine is recorded on the Warranty Card and on the Warranty Form that you retain.

# LIMITED WARRANTY



Bush Hog warrants to the original purchaser of any new Bush Hog equipment, purchased from an authorized Bush Hog dealer, that the equipment be free from defects in material and workmanship for a period of one (1) year for non-commercial, state and municipalities' use and ninety (90) days for commercial use from date of retail sale. The obligation of Bush Hog to the purchaser under this warranty is limited to the repair or replacement of defective parts.

Replacement or repair parts installed in the equipment covered by this limited warranty are warranted for ninety (90) days from the date of purchase of such part or to the expiration of the applicable new equipment warranty period, whichever occurs later. Warranted parts shall be provided at no cost to the user at an authorized Bush Hog dealer during regular working hours. Bush Hog reserves the right to inspect any equipment or parts which are claimed to have been defective in material or workmanship.

## DISCLAIMER OF IMPLIED WARRANTIES & CONSEQUENTIAL DAMAGES

Bush Hog's obligation under this limited warranty, to the extent allowed by law, is in lieu of all warranties, implied or expressed, **INCLUDING IMPLIED WARRANTIES OF MERCHANTABILITY AND FITNESS FOR A PARTICULAR PURPOSE** and any liability for incidental and consequential damages with respect to the sale or use of the items warranted. Such incidental and consequential damages shall include but not be limited to: transportation charges other than normal freight charges; cost of installation other than cost approved by Bush Hog; duty; taxes; charges for normal service or adjustment; loss of crops or any other loss of income; rental of substitute equipment, expenses due to loss, damage, detention or delay in the delivery of equipment or parts resulting from acts beyond the control of Bush Hog.

### THIS LIMITED WARRANTY SHALL NOT APPLY:

1. To vendor items which carry their own warranties, such as engines, tires, and tubes.
2. If the unit has been subjected to misapplication, abuse, misuse, negligence, fire or other accident.
3. If parts not made or supplied by Bush Hog have been used in connection with the unit, if, in the sole judgement of Bush Hog such use affects its performance, stability or reliability.
4. If the unit has been altered or repaired outside of an authorized Bush Hog dealership in a manner which, in the sole judgement of Bush Hog, affects its performance, stability or reliability.
5. To normal maintenance service and normal replacement items such as gearbox lubricant, hydraulic fluid, worn blades, or to normal deterioration of such things as belts and exterior finish due to use or exposure.
6. To expendable or wear items such as teeth, chains, sprockets, belts, springs and any other items that in the company's sole judgement is a wear item.

NO EMPLOYEE OR REPRESENTATIVE OF BUSH HOG IS AUTHORIZED TO CHANGE THIS LIMITED WARRANTY IN ANY WAY OR GRANT ANY OTHER WARRANTY UNLESS SUCH CHANGE IS MADE IN WRITING AND SIGNED BY BUSH HOG'S SERVICE MANAGER, 2501 GRIFFIN AVE., SELMA, ALABAMA 36703.



Record the model number, serial number and date purchased. This information will be helpful to your dealer if parts or service are required.

MODEL NUMBER \_\_\_\_\_  
SERIAL NUMBER \_\_\_\_\_  
DATE OF RETAIL SALE \_\_\_\_\_

MAKE CERTAIN THE WARRANTY  
HAS BEEN FILED WITH BUSH HOG  
SELMA, ALABAMA

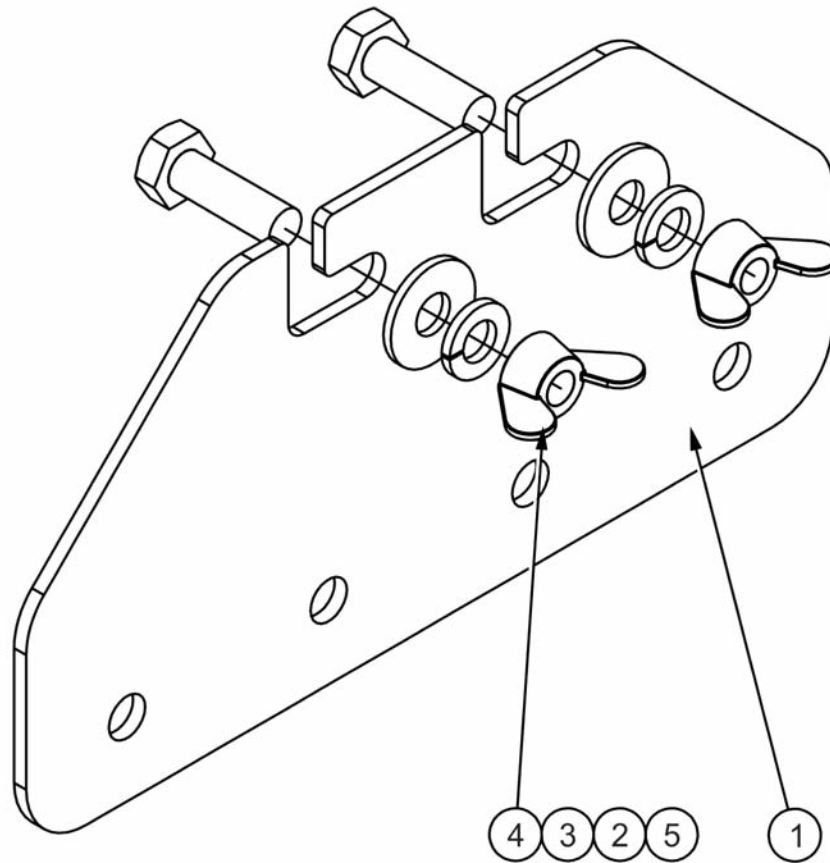
# ALPHABETICAL INDEX

## RMB1445 BOOM MOWER

ITEM	PAGE NUMBER
Cab Control . . . . .	.91-1-1
Control Valve Assy. . . . .	.91-1-2, 91-1-3
Cutterbar - Sheartrim . . . . .	.91-1-22
Decals - Bush Hog Marking . . . . .	.91-1-24
Dipper - Lower . . . . .	.91-1-10, 91-1-11
Dipper - Upper . . . . .	.91-1-12
Flail Head . . . . .	.91-1-20, 91-1-21
Gearbox and Pump Assembly . . . . .	.91-1-6, 91-1-7
Guard Kit . . . . .	.91-1-23
Hydraulic Fittings . . . . .	.91-1-5
Hydraulic Hoses . . . . .	.91-1-4
Lift Float Kit . . . . .	.91-1-25
Mainframe . . . . .	.91-1-13
Mainframe . . . . .	.91-1-16, 91-1-17
Parking Stand . . . . .	.91-1-15
Rear Cover . . . . .	.91-1-19
Rocker Assembly . . . . .	.91-1-14
Stabilizer . . . . .	.91-1-18
Tank Assembly . . . . .	.91-1-8, 91-1-9
Warranty . . . . .	.Inside Back Cover

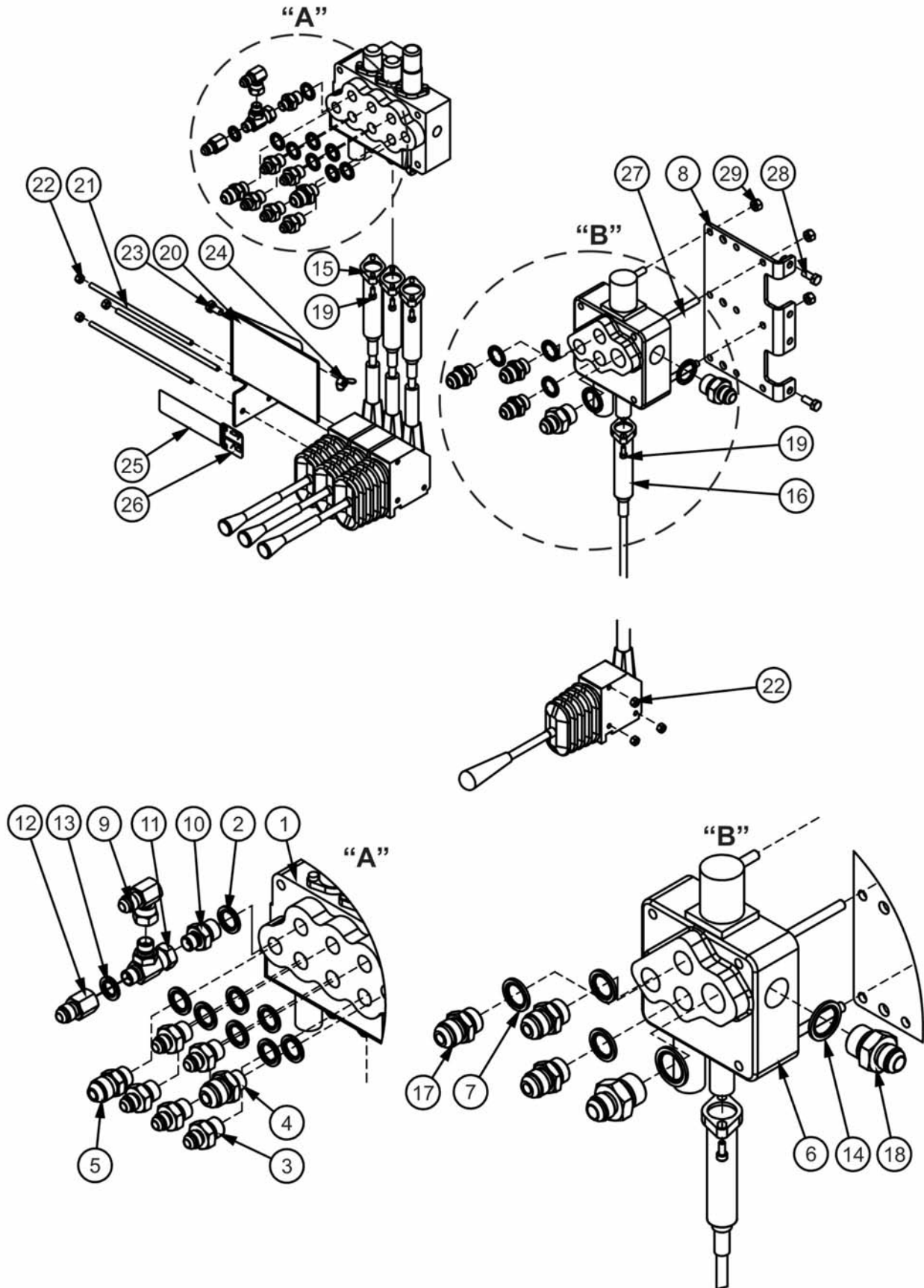
# NOTES:

# CAB CONTROL MOUNT



REF. NO.	PART NO.	DESCRIPTION	QTY.
1	42491.01	Mount Plate	1
2	9100104	Flatwasher 8mm	2
3	9100204	Lockwasher 8mm	2
4	9193004	Wing Nut	2
5	9313054	Capscrew M8 x 25	2

# CONTROL VALVE ASSEMBLY

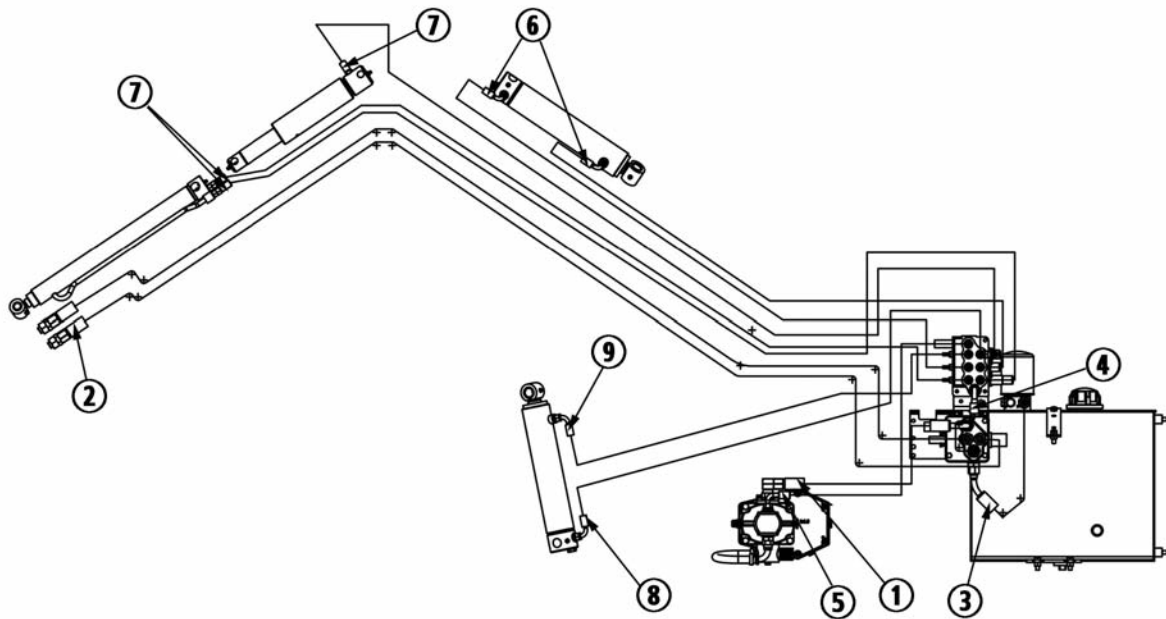




# CONTROL VALVE ASSEMBLY

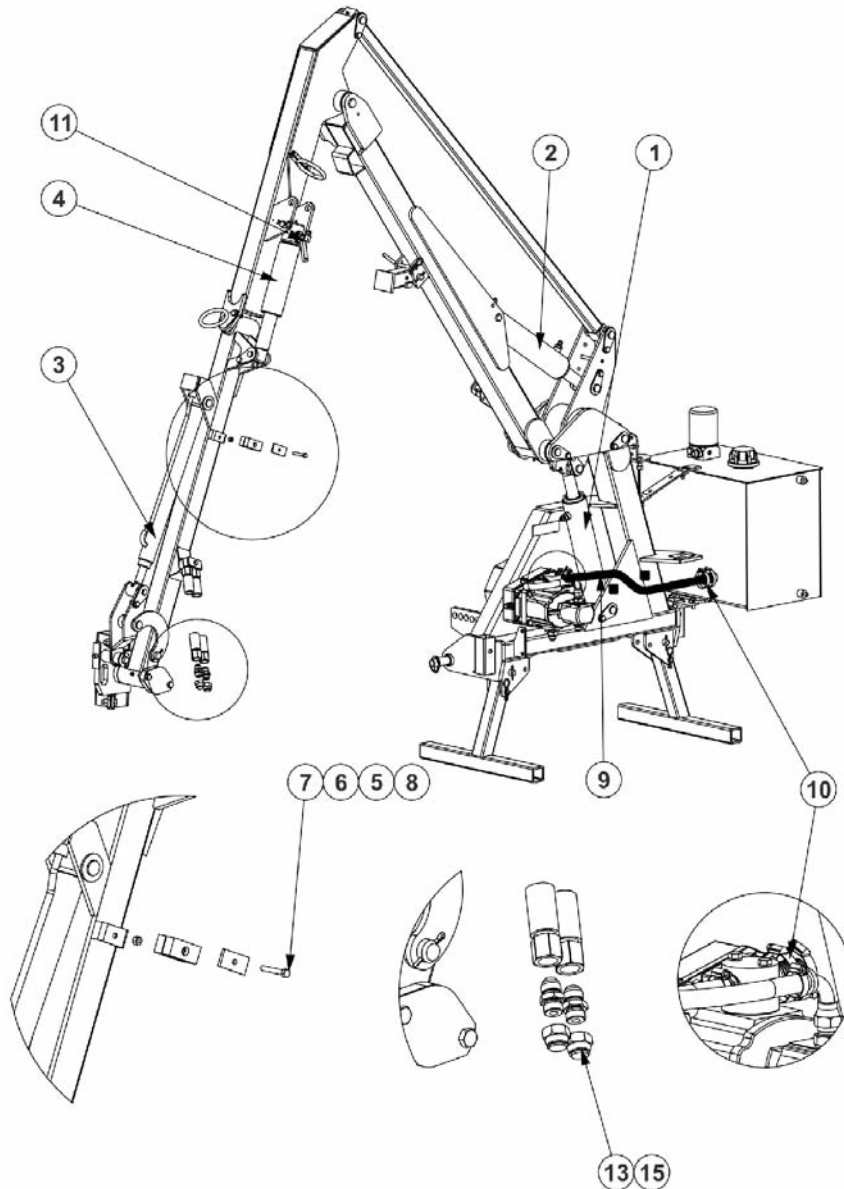
REF. NO.	PART NO.	DESCRIPTION	QTY.
1	8130616	VALVE 3 SPOOL	1
2	8650103	BONDED SEAL 3/8" BSP	8
3	08.955.06	ADAPTER 3/8" BSP X 9/16" JIC	5
4	8581222	ADAPTER 3/8" BSP X 7/8" JIC	1
5	8581170	ADAPTER 3/8" BSP X 3/4" JIC	1
6	8125343	VALVE SD11 ROTOR CONTROL	1
7	8650104	BONDED SEAL 1/2" BSP	3
8	41328.01	VALVE MTG BRKT	1
9	05.835.11	SWIVEL ELBOW 1/4" BSP F X 9/16" JIC M	1
10	8581115	ADAPTER 3/8" X 1/4" BSP MM	1
11	8581254	ADAPTER TEE 1/4" BSP F-M-M	1
12	8581341	ADAPTER 1/4 BSP F X 9/16" JIC M	1
13	8650102	SEAL 1/4" BSP	1
14	8650106	SEAL 3/4" BSP	2
15	8017054	CONTROL HEAD & CABLE 2.0M	3
16	8017045	CONTROL HEAD & CABLE 2.5M	1
17	8581226	ADAPTER 1/2" BSPX 7/8"JIC MM	3
18	8581271	ADAPTER 3/4" BSP X 7/8" JIC MM	2
19	9343022	CAPSCREW M5 X 12	8
20	09.970.02	BRACKET - 4 LEVER MTG RH - 3MM PLT	1
21	04.282.70	STUD M6 X 191	3
22	9143003	SELF-LOCKING NUT M6	6
23	9313034	CAPSCREW M8 X 16	2
24	9193004	WING NUT M8	2
25	1290368	DECAL - CABLE, REACH - ANGLE-LIFT	1
26	1290338	DECAL - ROTOR CONTROL VALVE	1
27	9213164	CAPSCREW M8 X 80	3
28	9313044	CAPSCREW M8 X 20	2
29	9143004	SELF-LOCKING NUT M8	5

# HYDRAULIC HOSES



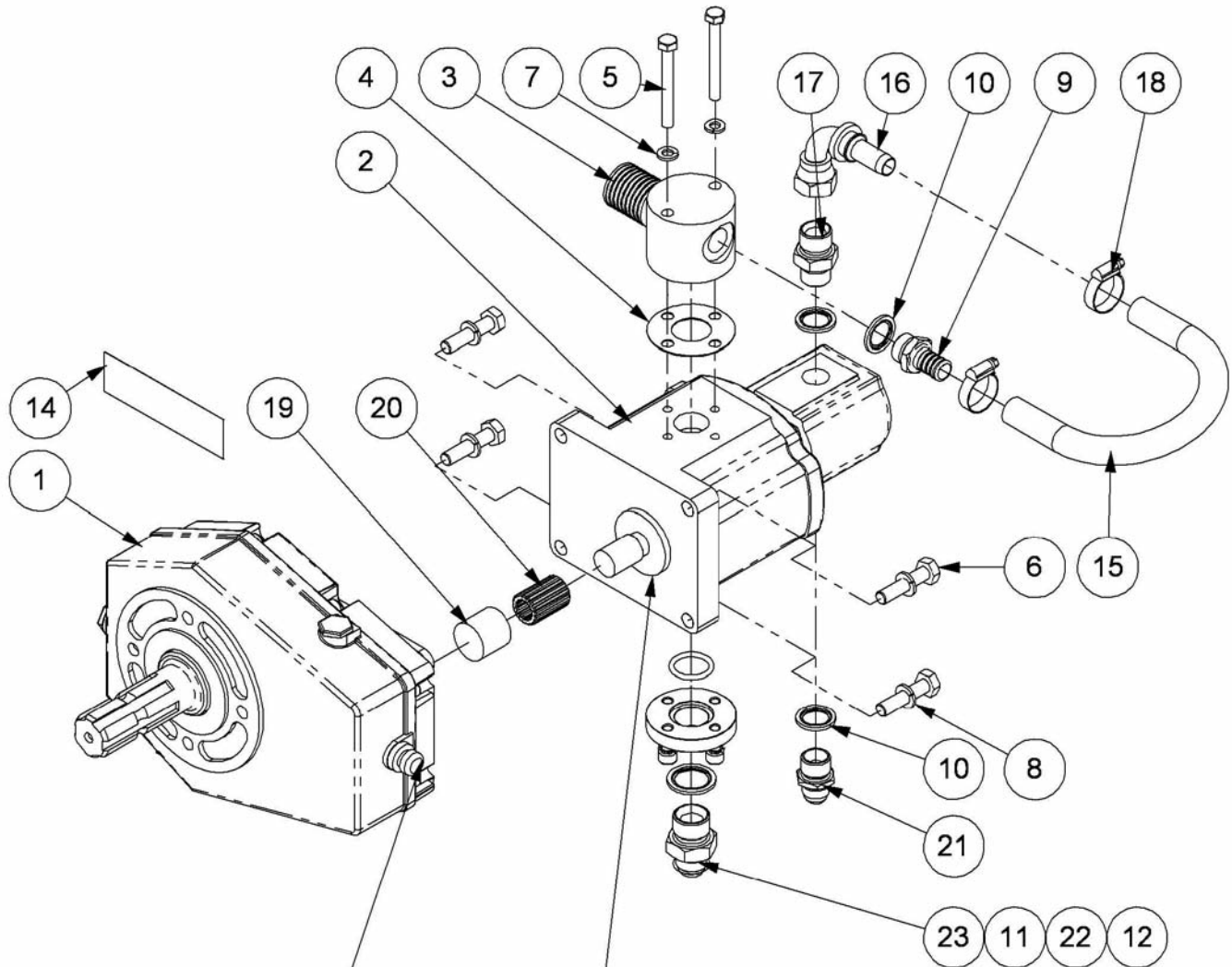
REF. NO.	PART NO.	DESCRIPTION	QTY.
1	41675.22	7/8" JIC HOSE FS/F90 1200LG	1
2	41674.55	7/8" JIC HOSE FS/FS 4500LG	2
3	41674.14	7/8" JIC HOSE 700 LG FS/FS	1
4	41671.12	7/8" HOSE FS/F90 600LG 1/2 BORE	1
5	08.958.24	3/4" JIC FS/F90 1400 LG HOSE	1
6	08.957.24	1/4" x 59 HOSE, (1/4FJX x 1/4FJX90)	2
7	41721.45	9/16" JIC HOSE FS/FS	3
8	08.957.22	9/16" HOSE FS/F90 1200LG	1
9	08.957.21	9/16" JIC HOSE FS/F9	1

# HYDRAULIC FITTINGS



REF. NO.	PART NO.	DESCRIPTION	QTY.
1	41014.14	LIFT RAM ASSY JIC PA41	1
2	41014.15	REACH RAM ASSYJIC PA41	1
3	7442258	ANGLING RAM ASSY JIC	1
4	7198293	BREAK AWAY RAM ASSY JIC	1
5	06.430.09	CLAMP PLATE	4
6	06.418.03	CLAMP PLATE	4
7	9213114	CAPSCREW M8 X 55 (COARSE)	4
8	70093C	LOCKNUT M8 X 1.25 TOP LOCK	4
9	8501273	1-1/4" BORE SAE RUB HOSE	1
10	0904107	HOSE CLIPS 40-55 MM *BI*	4
11	05.835.11	ADAPTOR,SWIV 90-1/4 X 9/16" JIC	1
12	8650102	SEAL,1/4" BSP BONDED	3
13	8582054	1/2" BSP BLANKING CAP	2
14	00900913	SLEEVING 2.54" ID BLACK	1020
15	8581226	HYD ADP ST 1/2" BSP-MX7/8 JIC-M	3

# GEARBOX AND PUMP ASSEMBLY



WHEN FITTED ONTO BUILD  
BREATHER TO BE FITTED  
IN UPPERMOST POSITION

USE A CONTINUOUS BEAD  
OF SILICONE SEALANT AROUND  
PUMP SPIGOT TO SEAL PUMP  
TO G/BOX CONNECTION. C044017

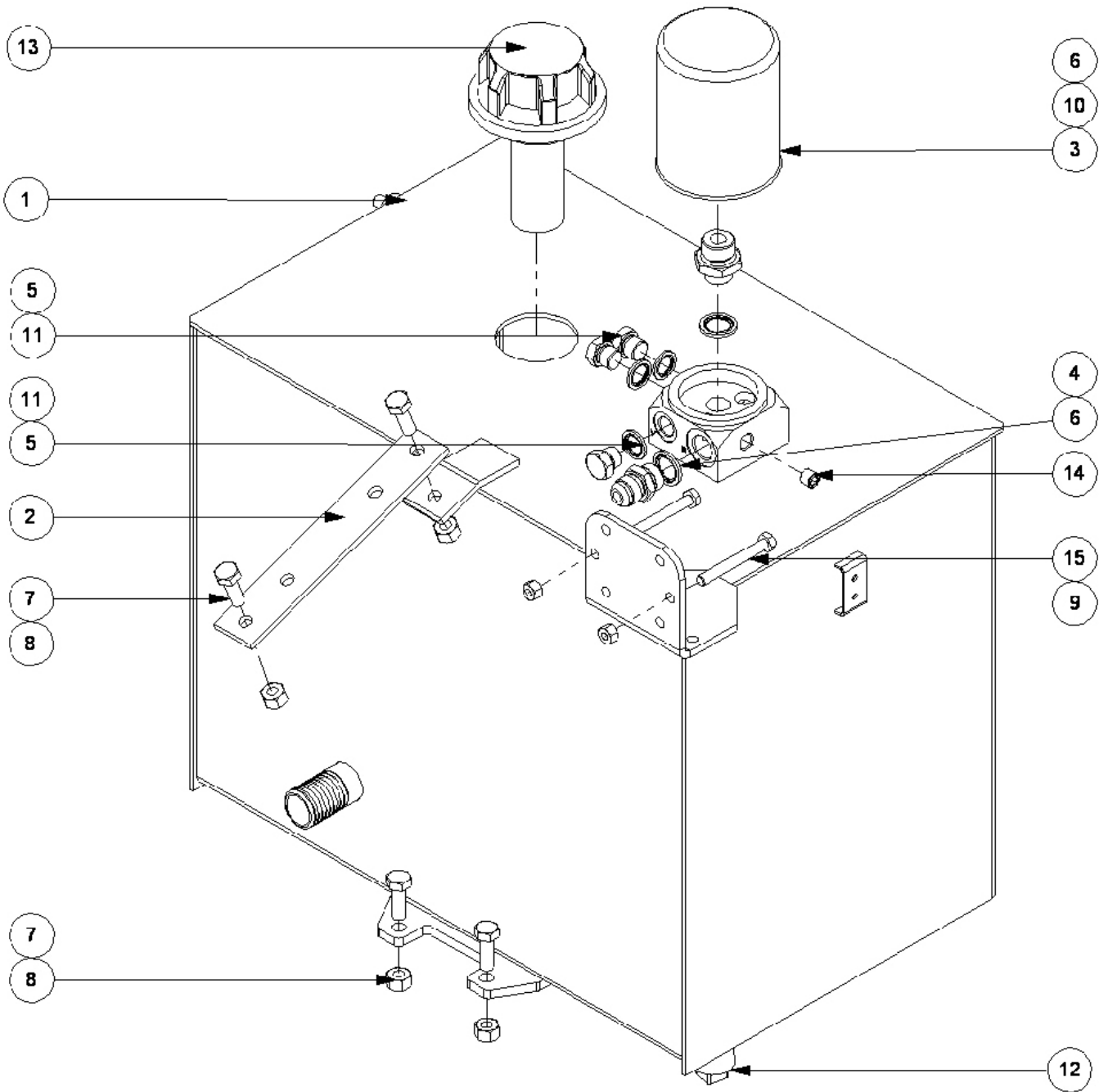
**GEARBOX NOTES:-**  
OIL REQUIREMENT  
0.7 LITRES MOBIL - "MOBILAND  
MULTIPURPOSE TRACTOR OIL  
OR SAE EP90

**SEALANTS**  
TAPER PLUGS. LOCTITE 575  
COVER PLATE. LOCTITE 574  
FLANGE SEALANT.

# GEARBOX AND PUMP ASSEMBLY

REF. NO.	PART NO.	DESCRIPTION	QTY.
1	8013443	GEARBOX 1:2.6 RATIO	1
2	8201466	PUMP,TANDEM	1
3	8013082	CONNECTION,SUCTION	1
4	8013023	GASKET,INLET	1
5	9213144	CAPSCREW M8 X 70	2
6	9213095	CAPSCREW 10-P1.5 - 45MM PL5	4
7	9100204	LOCKWASHER 8MM	2
8	9100205	LOCKWASHER 10MM DIA. BZP	4
9	8002059	RETURN CONNECTION	1
10	8650104	SEAL 1/2" BONDED PP45D	3
11	8650106	SEAL,3/4" BSP BONDED	1
12	8600119	O-RING 1" ID X1-1/4" OD	1
13	9300147	CAPSCREW SOCKET M8 X 20	4
14	1290030	DECAL, (BERVIN)	1
15	8501099	HOSE, 5/8" BORE 13" LONG	1
16	8581173	ELBOW CONNECTION, 5/8" BSP	1
17	G3812120	5/8" BSP - 1/2" BSP M-M	1
18	0904204	HOSE CLIP, 5/8" DIA. BORE	2
19	42415.02	SPACER DIA 30 x 28	1
20	8013097	SPLINED ADAPTOR COUPLING	1
21	18120003	ADP HYD ST 3/4"JIC-MX1/2BSP-M	1
22	8013088	FLANGE, 3/4" BSP	1
23	8581167	UNION, 1-1/16"- 3/4" BSP	1

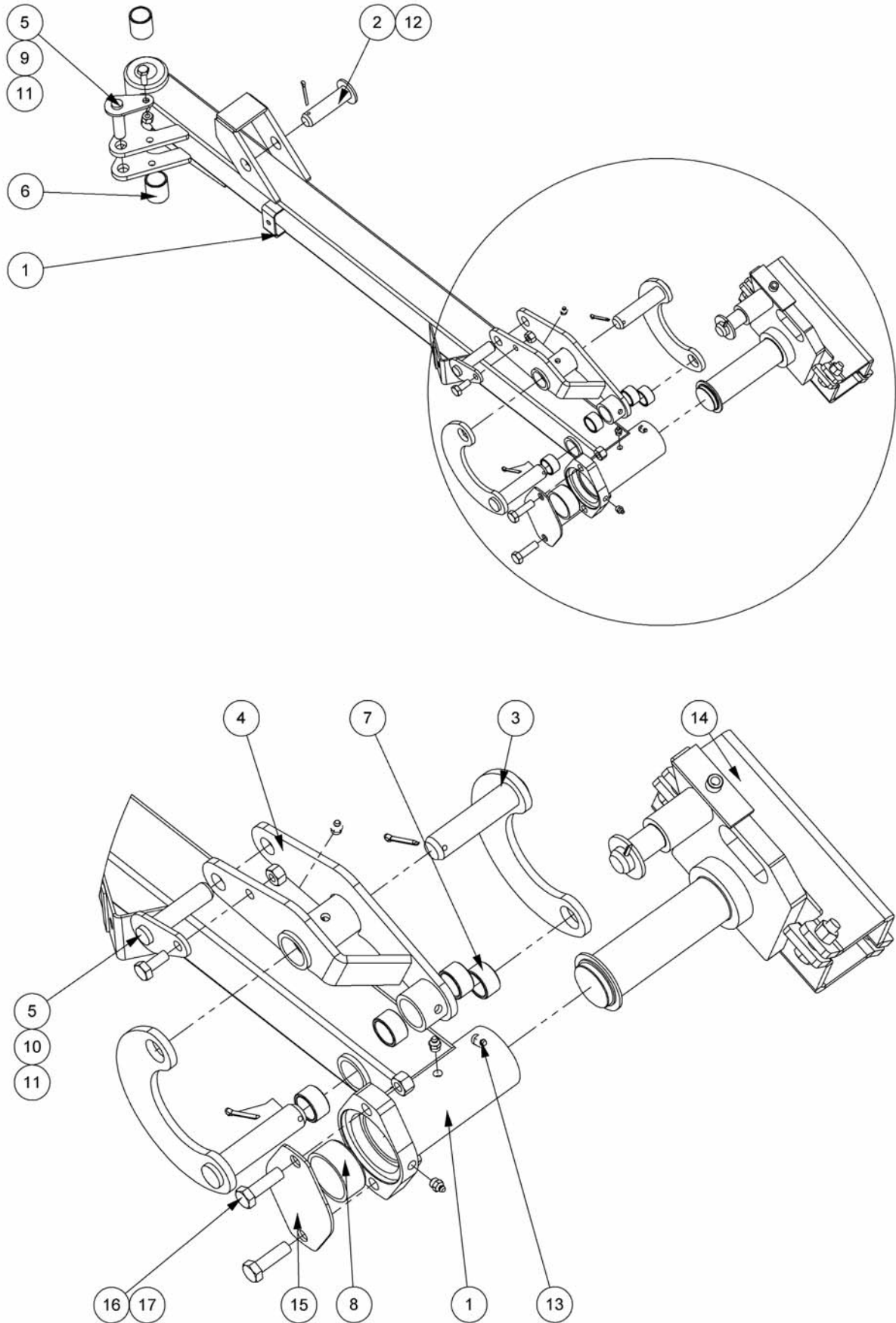
# TANK ASSEMBLY



# TANK ASSEMBLY

REF. NO.	PART NO.	DESCRIPTION	QTY.
1	41196.06	TANK W/ASSY-RH PA90 & PA41	1
2	41204.01	TANK STRAP - PA90	1
3	8401045	FILTER	1
4	8581226	ADP HYD ST 1/2" BSP-MX7/8JIC-M	1
5	8650103	SEAL, 3/8" BSP BONDED	3
6	8650104	SEAL, 1/2" BSP BONDED	2
7	9313065	CAPSCREW M10X1.5 - 30MM PL5	4
8	765676	LOCKNUT, TOP LOCK M10 X 1.5P	4
9	70093C	LOCKNUT, TOPLOCK M8 X 1.25	2
10	8581174	UNION, 1/2" BSP 1 UNF M/M	1
11	8003001	3/8" BSP PLUG	3
12	8581203	PLUG 1 TAPER	1
13	8401050	ASSY, FILLER BREATHER	1
14	8582042	1/4" GAS PIPE PLUG TAPER	1
15	9213144	CAPSCREW M8 X 70 (COARSE)	2

# DIPPER - LOWER, RH

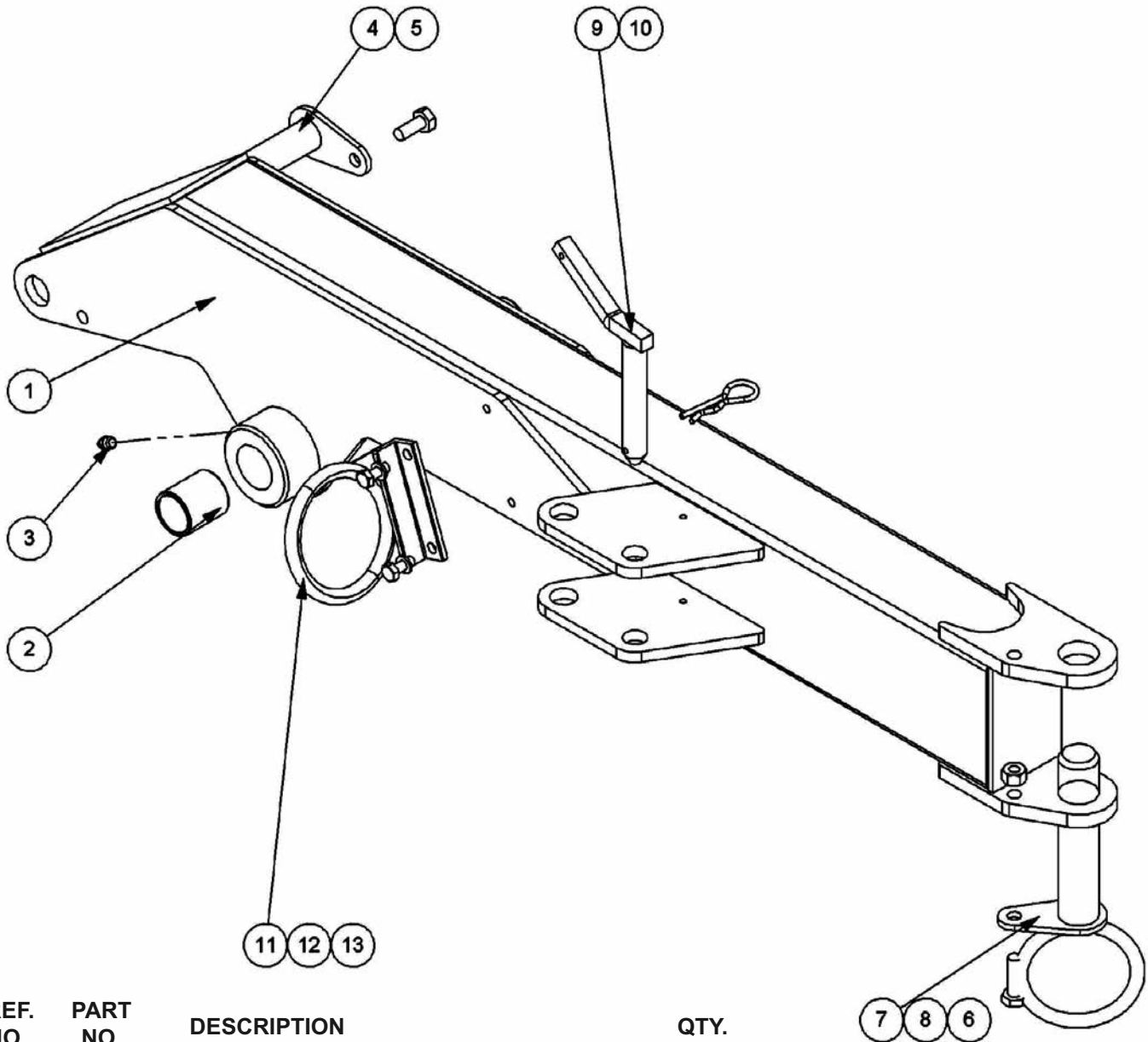




## DIPPER - LOWER, RH

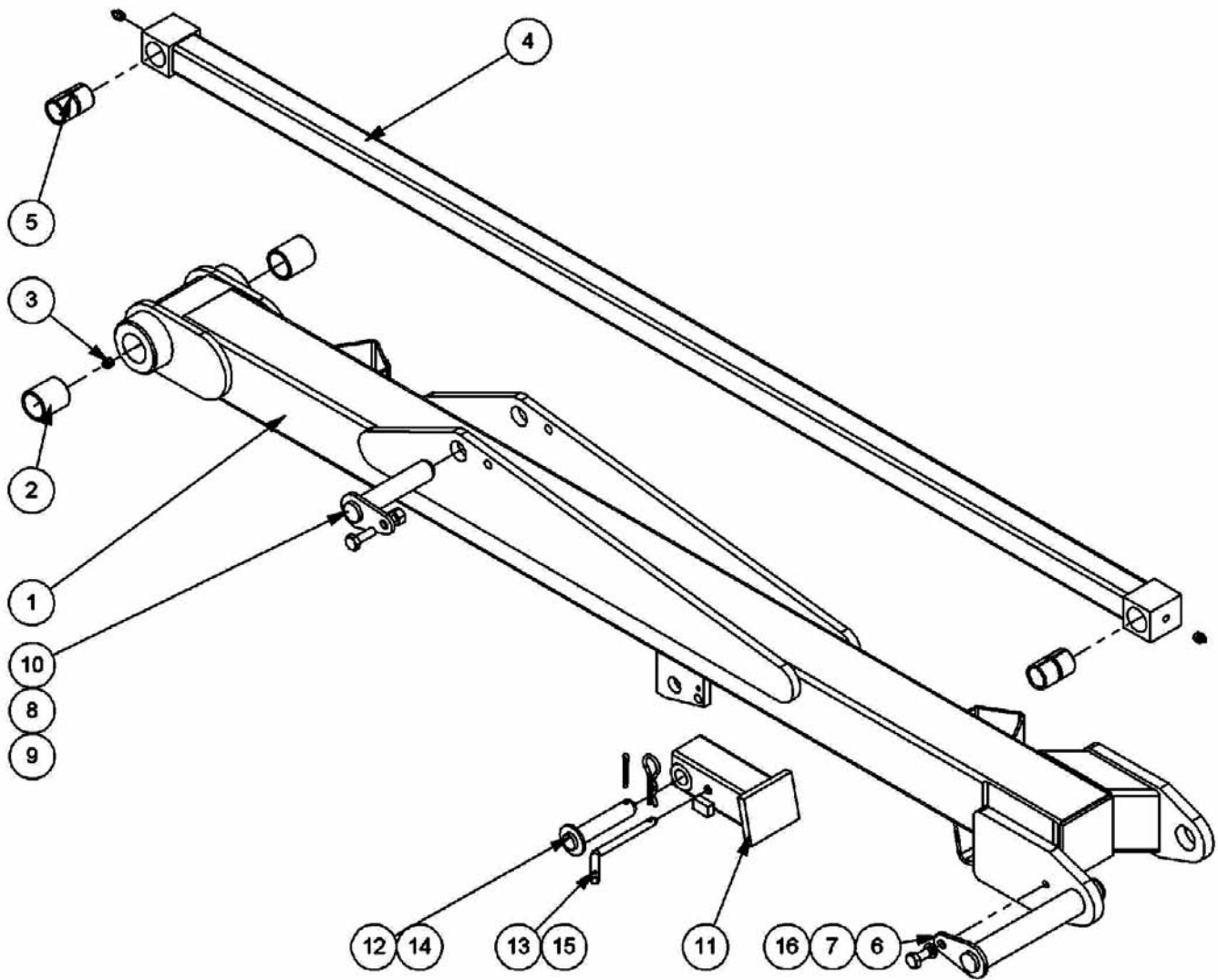
REF. NO.	PART NO.	DESCRIPTION	QTY.
1	41202.02	RH OUTER DIPPER ARM	1
2	7191041	PIN, ANGLE RAM BASE	1
3	41206.01	RADIUS ARM W/ ASSY	2
4	41207.02	SLAVE LINK RH W/ASSY	1
5	41270.01	PIN	2
6	21149.01	PIVOT, BUSH	27
7	214060	BUSHING 1-1/4" OD X 1" IDX 1/16LG	6
8	1090001	BEARING,HINGE	2
9	9313065	HEXB METRIC 10-P1.5 - 30MM PL	51
10	9313055	HEXB METRIC 10-P1.50- 25MM	1
11	00765676	LOCKNUT M10-1.5P TOP LOCK	62
12	0425540	ROLL PIN M5 X 40	3
13	0901121	GREASE NIPPLE,1/8" BSP-STRAIGHT	5
14	7490813	BRACKET KIT RH	1
15	41261.44	BLANKING PLATE	1
16	9313086	CAPSCREW M12-P 1.75 - 40MM	52
17	9143006	NUT METRIC 12MM-P1.75 PL	2

# DIPPER - UPPER, RH



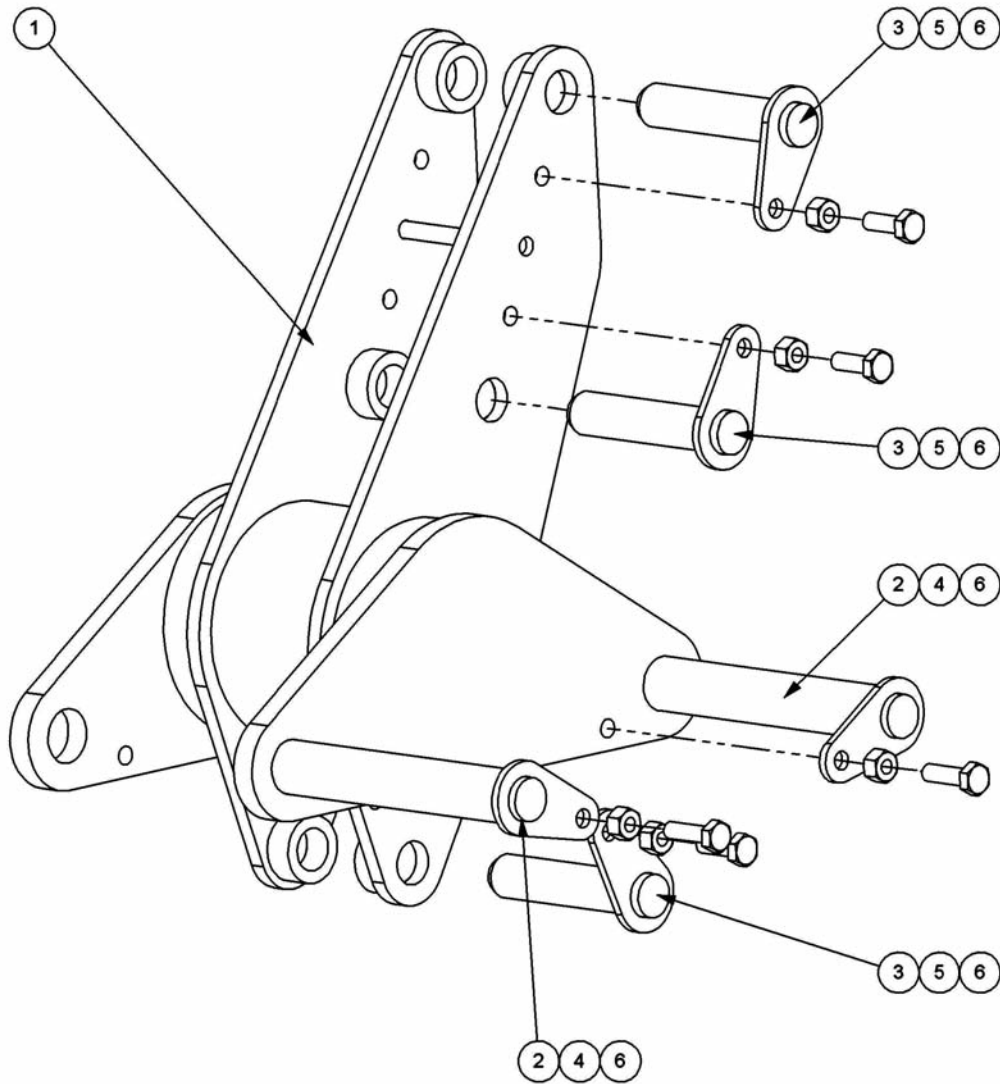
REF. NO.	PART NO.	DESCRIPTION	QTY.
1	41201.04	DIPPER UPPER W/A RH-HBM400	1
2	21149.01	PIVOT, BUSHING	2
3	0901121	GREASE NIPPLE, 1/8" BSP-STRAIGHT	1
4	41267.05	PIN - 1" DIA X 102MM LONG	1
5	9313055	CAPSCREW M10-P1.50- 25MM	1
6	00765676	LOCKNUT, M10 P1.5 TOP LOCK	2
7	41269.01	PIN-BREAK AWAY	1
8	9313075	CAPSCREW M10-P1.50- 35MM	1
9	7191036	PIN,BREAKAWAY RAM BASE	1
10	0431105	PIN, COTTER	1
11	43158.01	HOSE SUPPORT HOOP	1
12	9313044	SETSCREW M8-P1.25-20MM GR. 8.8	2
13	9100204	SPRING WASHER 8MM	2

# MAINARM



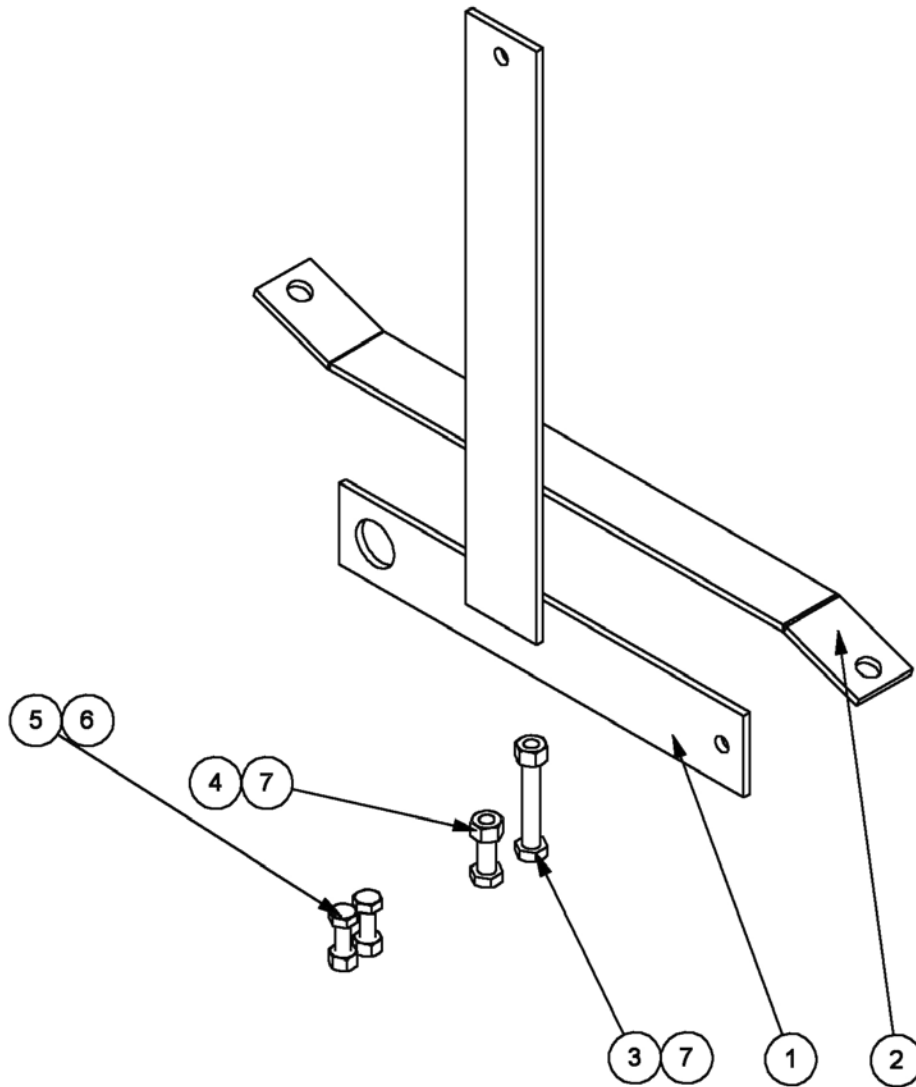
REF. NO.	PART NO.	DESCRIPTION	QTY.
1	41199.06	MAINARM W/ASSY RH	1
2	21149.01	PIVOT, BUSHING	2
3	0901121	GREASE NIPPLE, 1/8" BSP-STRAIGHT	3
4	41200.02	TENSION LINK	1
5	7105050	BUSHING, ROD END 1-1/4" OD X 1" ID	2
6	41268.02	MAIN PIVOT PIN	1
7	9313045	CAPSCREW M10-P1.5 - 20MM	1
8	00765676	LOCKNUT, M10-P1.5 TOP LOCK	1
9	41691.04	PIN W / ASSY. - LIFT / REACH-MAG420	1
10	9313065	CAPSCREW 10-P1.5 - 30MM PL5	1
11	43021.05	TRANSPORT PROP W/ASSY	1
12	43114.01	PROP PIN W / ASSY-PA410	1
13	43115.01	LOCK PIN-PROP	1
14	9501326	SPLIT PIN M5 DIA NOM X 32 LG	1
15	0431105	PIN, COTTER	1
16	9100205	LOCKWASHER- 10MM DIA. BZP	1

# ROCKER ASSEMBLY



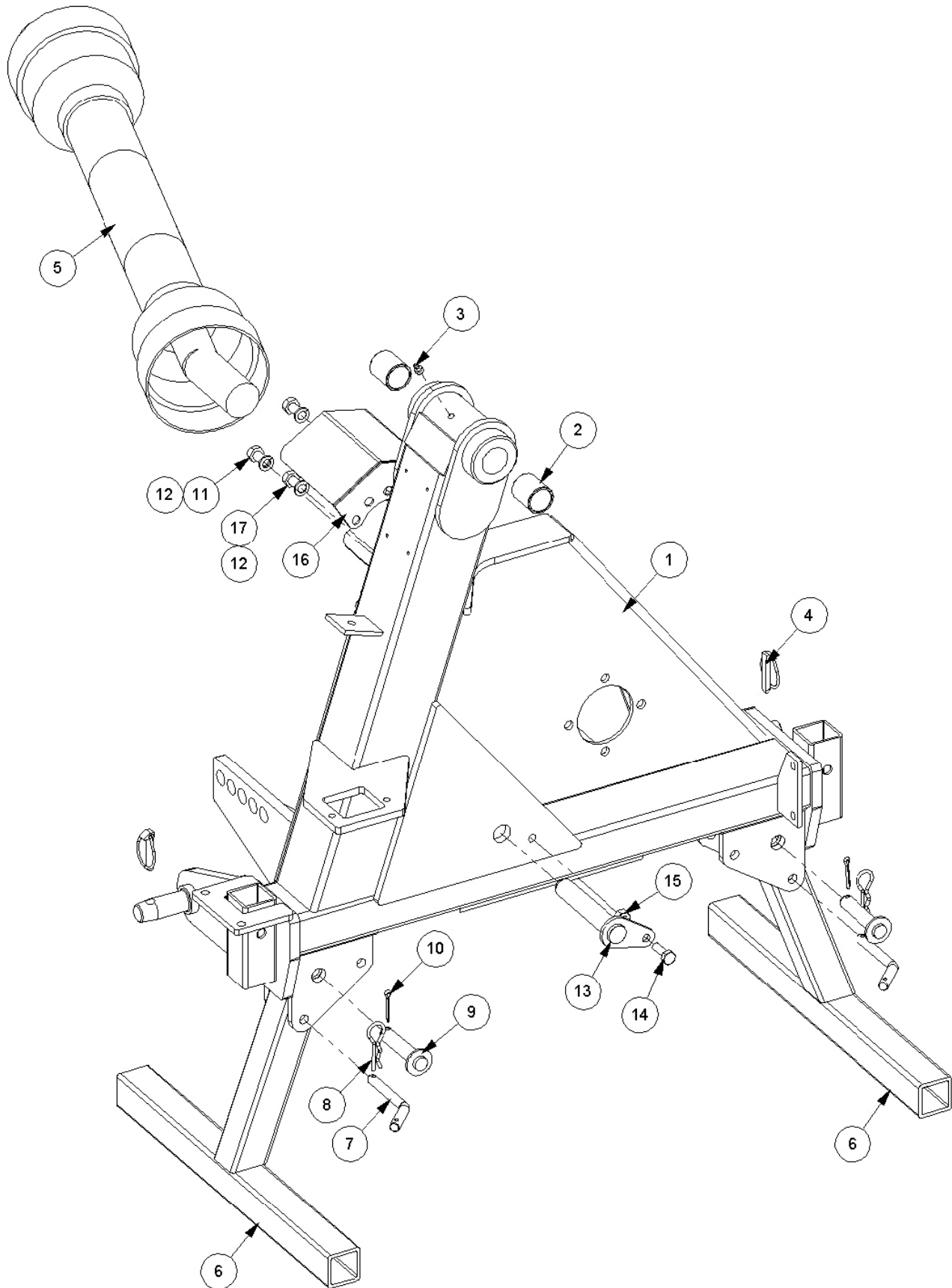
REF. NO.	PART NO.	DESCRIPTION	QTY.
1	41861.02	ROCKER W/ASSY-PA41	1
2	41268.02	MAIN PIVOT PIN W/A	2
3	41691.02	PIN - ANGLE BASE	3
4	9313075	CAPSCREW M10-P1.50- 35MM	2
5	9313065	CAPSCREW M10-P1.5 - 30MM PL5	3
6	00765676	LOCKNUT M10-P1.5 TOPLOCK	5

# PARKING STAND



REF. NO.	PART NO.	DESCRIPTION	QTY.
1	41939.04	LIFT FRAME	1
2	7550030	DIPPER LOCKING STRAP-PA2050M	1
3	9213166	CAPSCREW M12 X 80 (COARSE)	1
4	9213086	CAPSCREW M12 X 40 (COARSE)	1
5	9313075	CAPSCREW M10-P1.50- 35MM	2
6	00765676	LOCKNUT M10 - P1.5 TOPLOCK	2
7	9143006	NUT 12MM-P1.75 PL	2

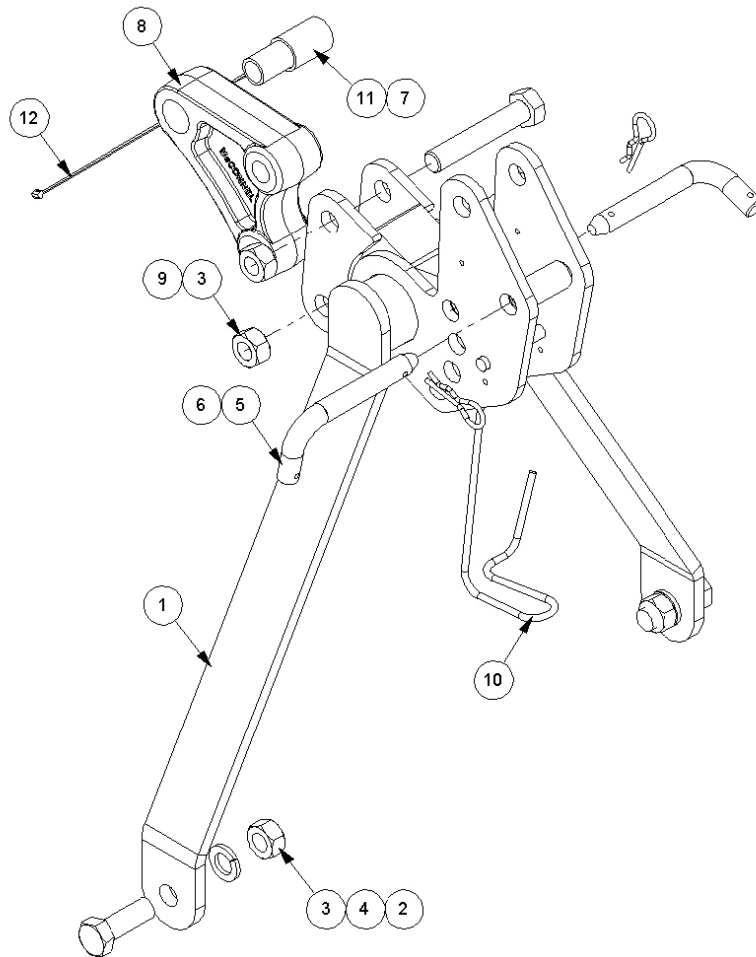
# MAINFRAME



# MAINFRAME

REF. NO.	PART NO.	DESCRIPTION	QTY.
1	41197.06	MAINFRAME	1
2	21149.01	PIVOT, BUSHING 1-1/2" X 1-1/4" X1-11/16"	2
3	0901121	GREASE NIPPLE, 1/8" STRAIGHT	1
4	0431217	LINCH PIN, MED. 7/16"	2
5	7114289	DRIVELINE S-40 1-3/8"-6 X 1-3/8"- 6	1
6	41203.02	STAND LEG	2
7	43020.02	LEG PIN	2
8	0431105	PIN, COTTER	2
9	1090043	PIN	2
10	9501326	SPLIT PIN M5 DIA X 32 LG	2
11	9313046	CAPSCREW M12 X 20 (COARSE) H.T.	1
12	9100206	LOCKWASHER 12MM	4
13	41267.02	PIN	1
14	00765676	LOCKNUT M10 -P1.5 TOPLOCK	1
15	9313065	CAPSCREW M10-P1.5 - 30MM PL5	1
16	21855.01	PTO GUARD	1
17	9313056	CAPSCREW M12-P1.75- 25MM PL5	3

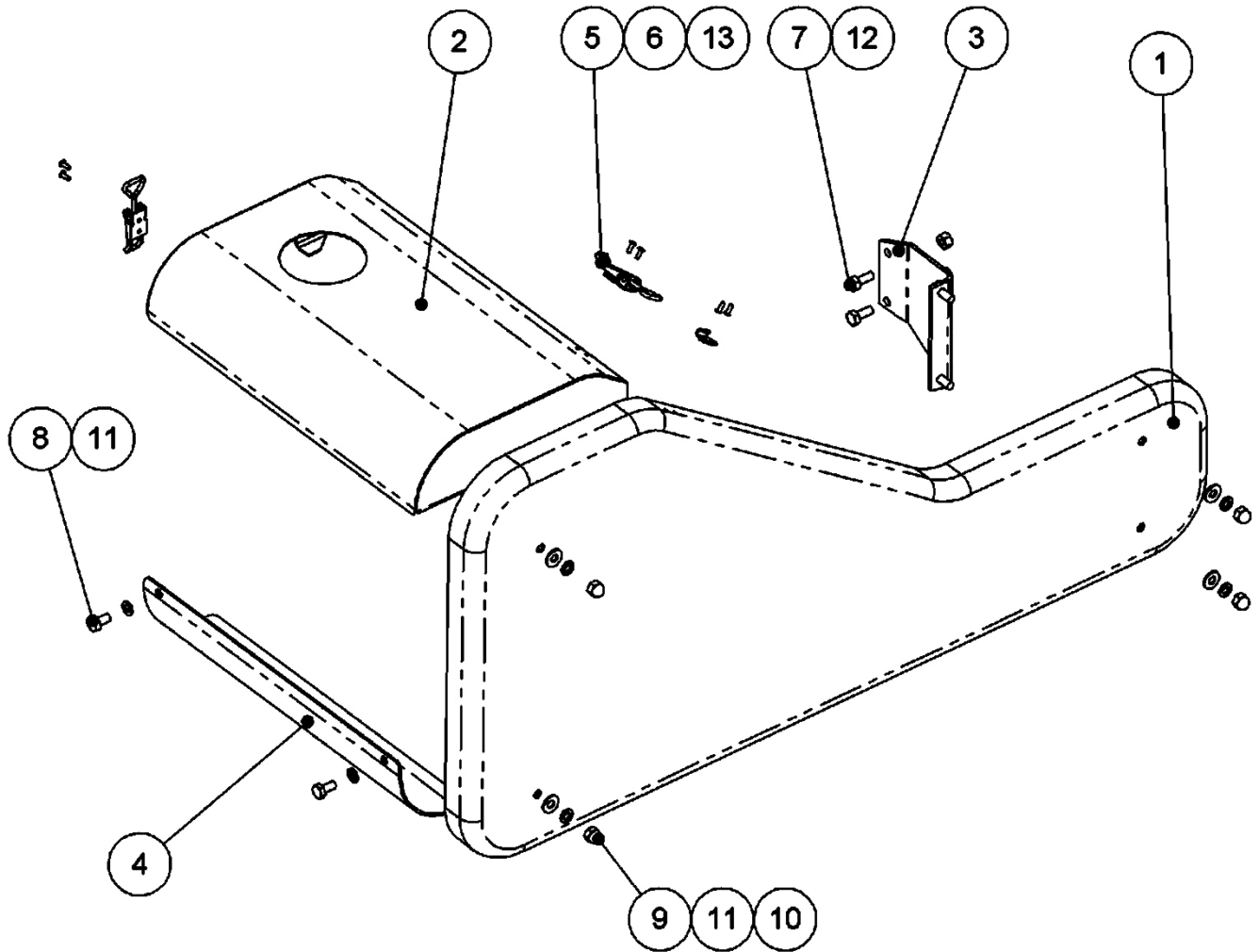
# STABILIZER



REF. NO.	PART NO.	DESCRIPTION	QTY.
1	41205.02	STABILIZER	1
2	9313118	CAPSCREW M20 X 55 (COARSE) H.T.	2
3	9113008	NUT METRIC 20MM-P2.5	4
4	9100208	LOCKWASHER 20MM	2
5	7192026	PIN, TOP LINK	2
6	0431105	PIN, COTTER	2
7	1467063	SLEEVE	2
8	7499506C	STABILIZER TONGUE CAT.3-CAST	1
9	9213228	BOLT	2
10	21160.03	PTO HOOK SUPPORT-PLATED	1
11	21883.01	SLEEVE HFS TUBE 38.6 X 6.3 WAL	1
12	7196045	HOSE TIE- 350.0LG	1

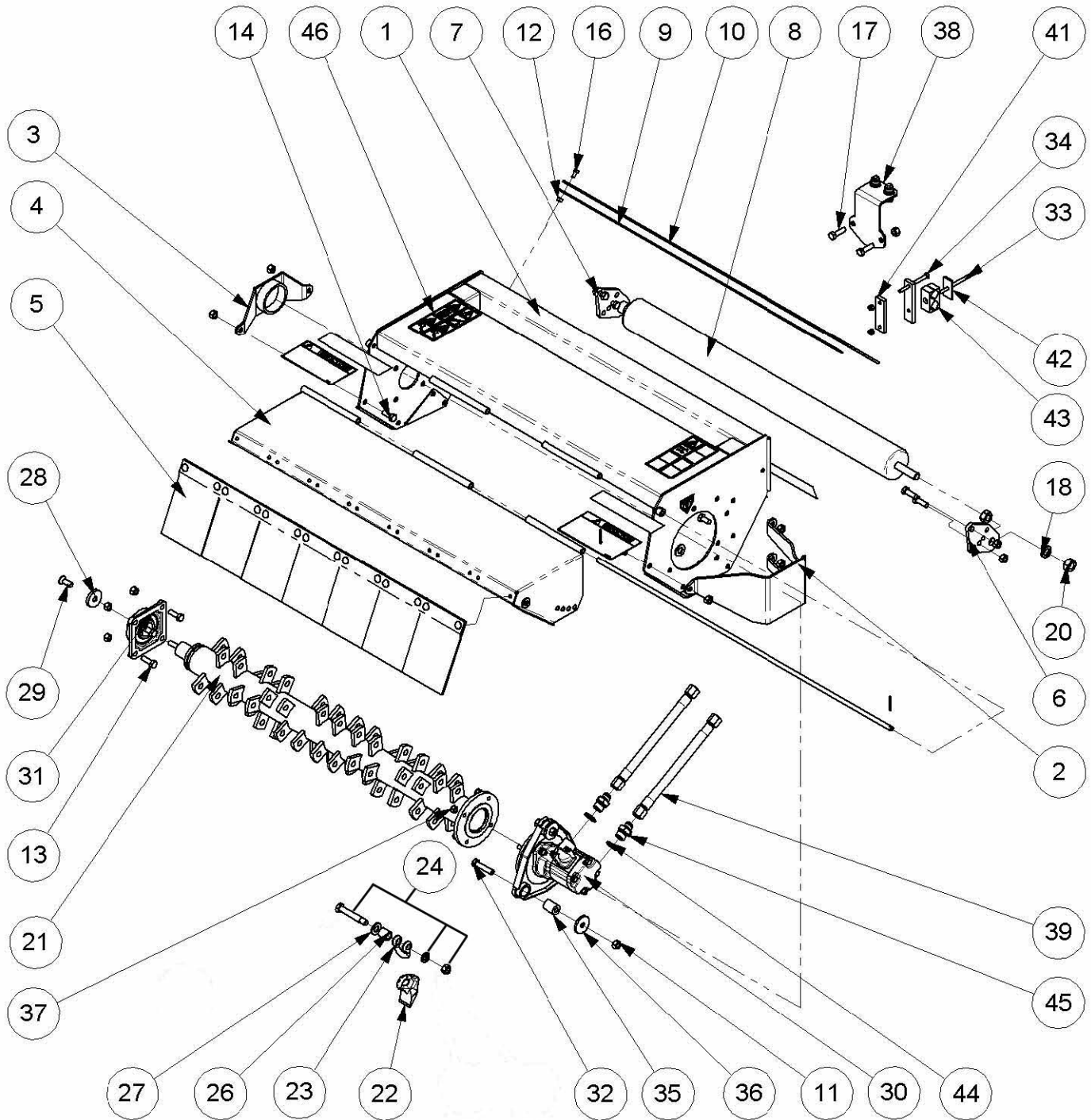


# REAR COVER



REF. NO.	PART NO.	DESCRIPTION	QTY.
1	45629.02	REAR COVER MOLDING RH	1
2	45633.02	TANK COVER W/A-RH	1
3	45636.03	SUPPORT BRACKET-RH	1
4	45638.01	TANK FAIRING	1
5	43449.02	OVERCENTRE FASTENER	2
6	1069088	POP RIVER-4.5 DIA X 10 LG	6
7	9313055	CAPSCREW M10-P1.5 - 25MM	2
8	9313045	CAPSCREW M10-P1.5 - 20MM	2
9	9100025	M10 COARSE DOMED NUT PLATED	4
10	9100105	FLATWASHER,10.5 X 23.5 X 2.0	8
11	9100205	LOCKWASHER- 10MM DIA.	6
12	00765676	LOCKNUT M10 -P1.5	2
13	46007.01	HOOK-SMALL	1

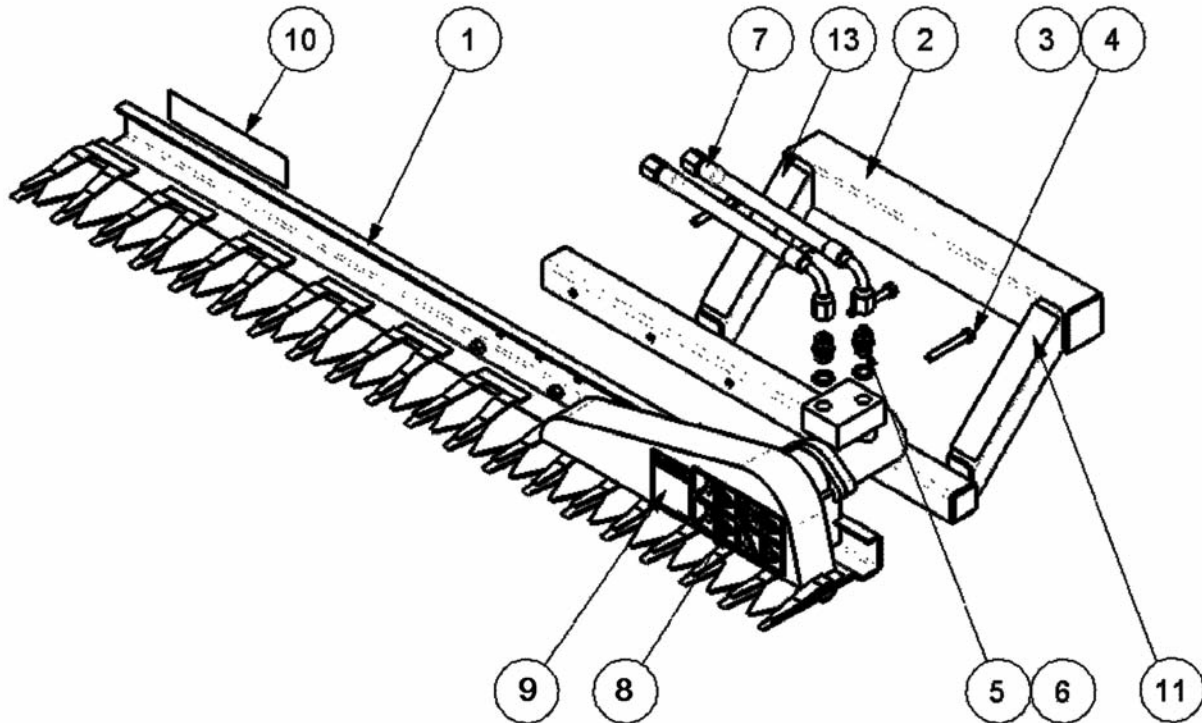
# FLAIL HEAD



# FLAIL HEAD

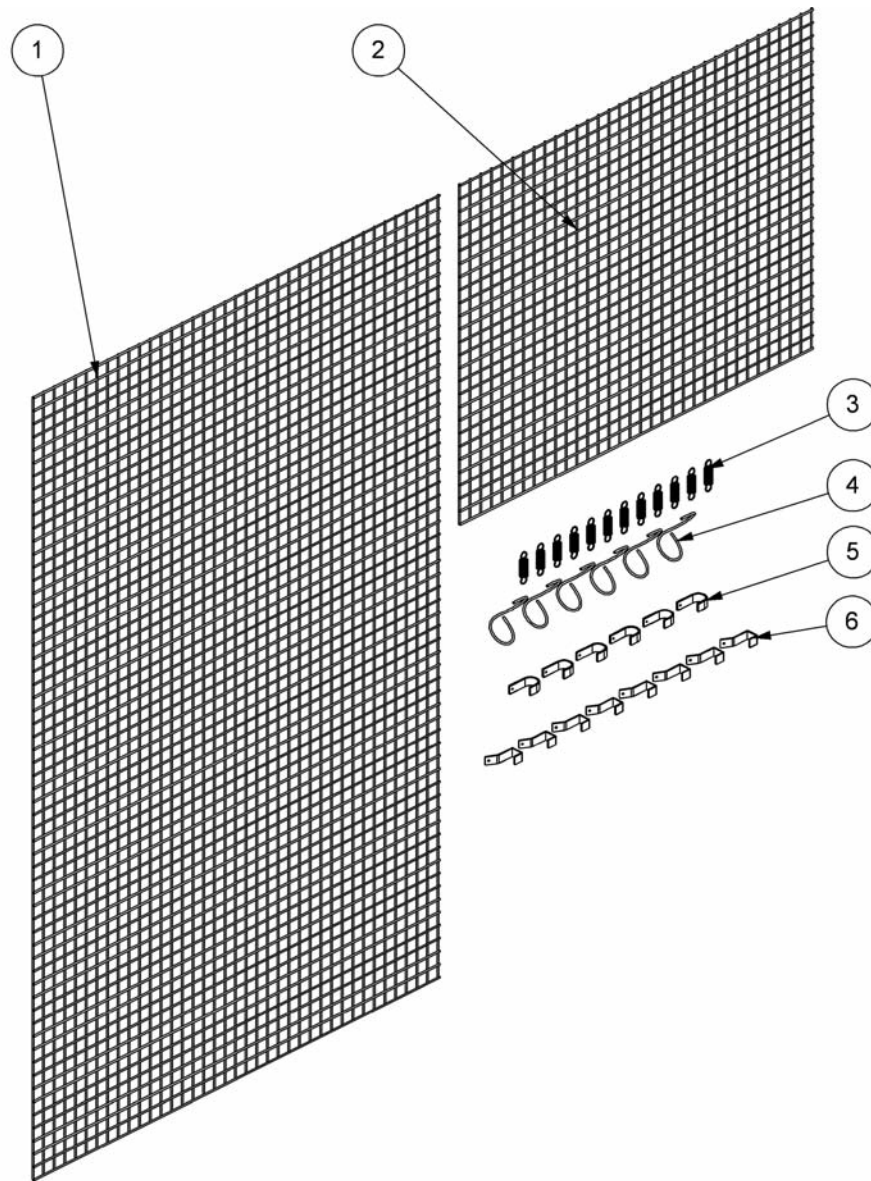
REF. NO.	PART NO.	DESCRIPTION	QTY.
1	41282.12	CASING-1.0M RH IB/LH OB SLID	1
2	42495.01	MOTOR COVER	1
3	42496.01	WELDMT, BEARING COVER	1
4	7442250	FRONT HOOD KIT	1
5	7442254	FRONT FLAP KIT	1
6	41285.03	ROLLER BRKT LH	1
7	41285.04	ROLLER BRKT RH	1
8	41301.02	ROLLER ASSY 1.0M - MAG420	1
9	41290.02	REAR FLAP CLAMP STRIP	1
10	41289.02	REAR FLAP	1
11	9143006	LOCKNUT M12 X P1.75 PL	18
12	70093C	LOCKNUT M8 X 1.25 TOP LOCK	11
13	9313076	CAPSCREW M12-P1.75- 35MM	8
14	9313066	CAPSCREW M12-P1.75- 30MM	2
15	9313056	CAPSCREW M12-P1.75- 25MM	3
16	9313034	CAPSCREW M8-P1.25- 16MM	9
17	9313086	CAPSCREW M12-P1.75- 40MM	52
18	9100208	LOCKWASHER 20MM	2
20	9113008	NUT METRIC 20MM-P2.5	4
21	41284.02	ROTOR ASSY. 1.0M	1
22	7190463	FLAIL- 40MM (140 DIA. ROTOR)	28
23	05.895.01	SHACKLE	28
24	41.167.02	BOLT PACK (10 BOLTS, WSHRS, NUTS)	3
26	02.807.01	SPACER 1 O.D. X 16MM X 27MM	28
27	701515C	M16 FLATWASHER	56
28	42503.01	WASHER,SPECIAL	1
29	9353076	SHCS METRIC 12 x 35	1
30	42603.02	MOTOR MTG ASSY PA90	1
31	03.008.01	BEARING ASSY FLANGED 40 BORE	1
32	9213126	HEX HD BOLT M12 X 60 (COARSE)H.T	3
33	9213284	M8 X 40 (COARSE) H.T. HEX	1
34	9213204	CAPSCREW M8-P1.25-100MM PL5	1
35	03.871.01	BUSHING RUBBER	3
36	02.824.01	WASHER 50 O/D X 13 I/D X 5MM	3
37	05.968.02	NUT M10 S/L FINE	4
38	41297.02	HOSE BRKT-JIC	1
39	41674.23	HIGH PRESURE HOSE 5/8" X 52.5"	2
40	21874.01	CLAMP BAR LONG	1
41	21874.02	CLAMP BAR SHORT	1
42	06.418.03	CLAMP PLATE	1
43	06.430.09	CLAMP PLATE	1
44	8650106	SEAL, 3/4BSP BONDED	2
45	8581271	ADAPTER HYD ST 3/4" MBSP-7/8MJIC	2
46	21978.09	HEAD DECAL KIT BUSH HOG	1

# CUTTERBAR - SHEARTRIM



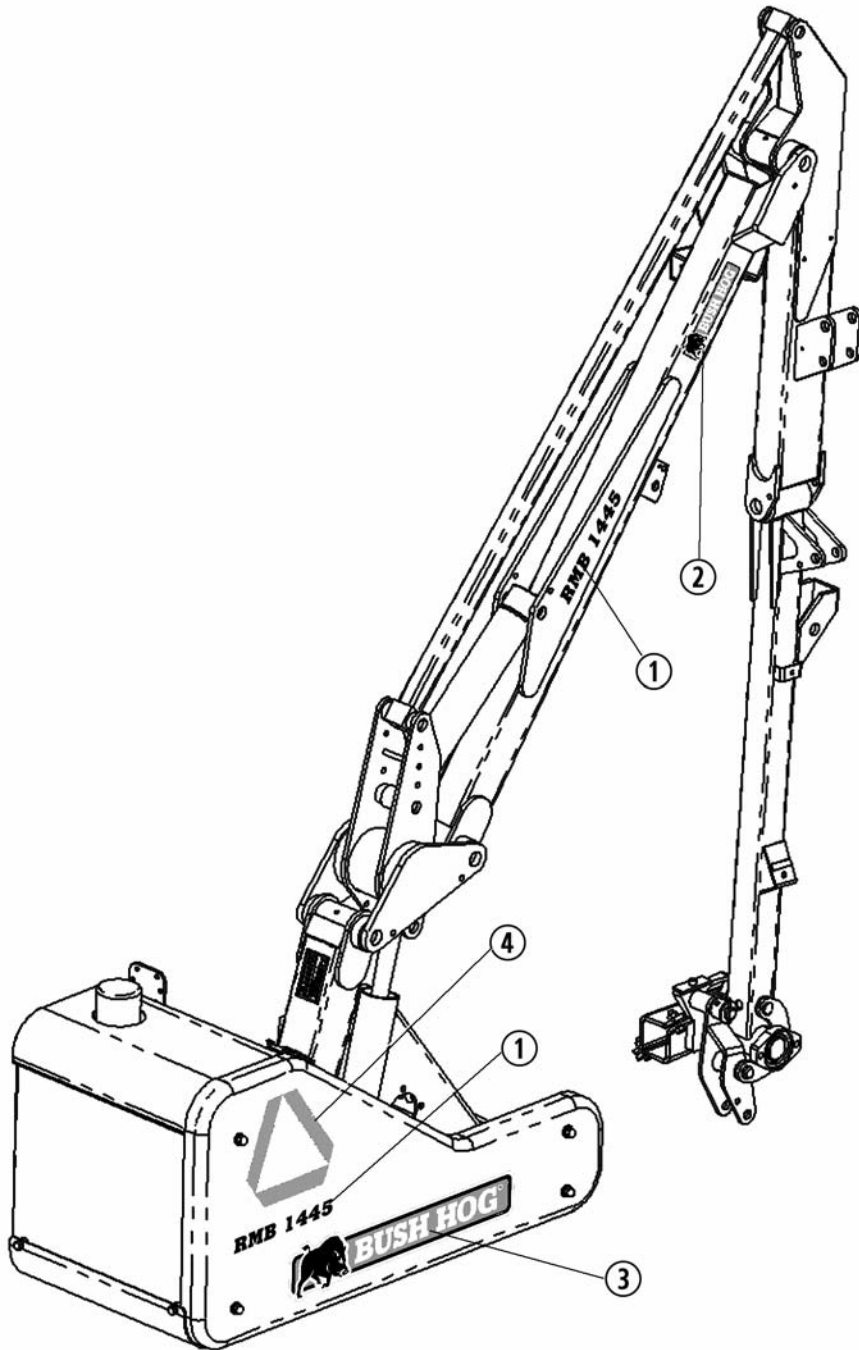
REF. NO.	PART NO.	DESCRIPTION	QTY.
1	42018.05	CUTTER BAR RH	1
2	42019.10	CUTTER BAR BRACKET RH	1
3	00765676	LOCKNUT M10-P1.5 TOPLOCK	4
4	9213155	CAPSCREW M10 X 75	4
5	8581226	ADAPTOR HYD ST 1/2" SP-MX7/8" JIC-M	2
6	8650104	SEAL, 1/2" BSP BONDED	2
7	41675.22	7/8" JIC HOSE FS/F90 1200LG	2
8	09.821.35	COMBINED EURO DECAL	1
9	3688303	DECAL, DANGER SEVERED FINGERS	1
10	1458392	DECAL, RED REFLECTOR	1
11	1458393	DECAL, YELLOW REFLECTOR	2

# GUARD KIT



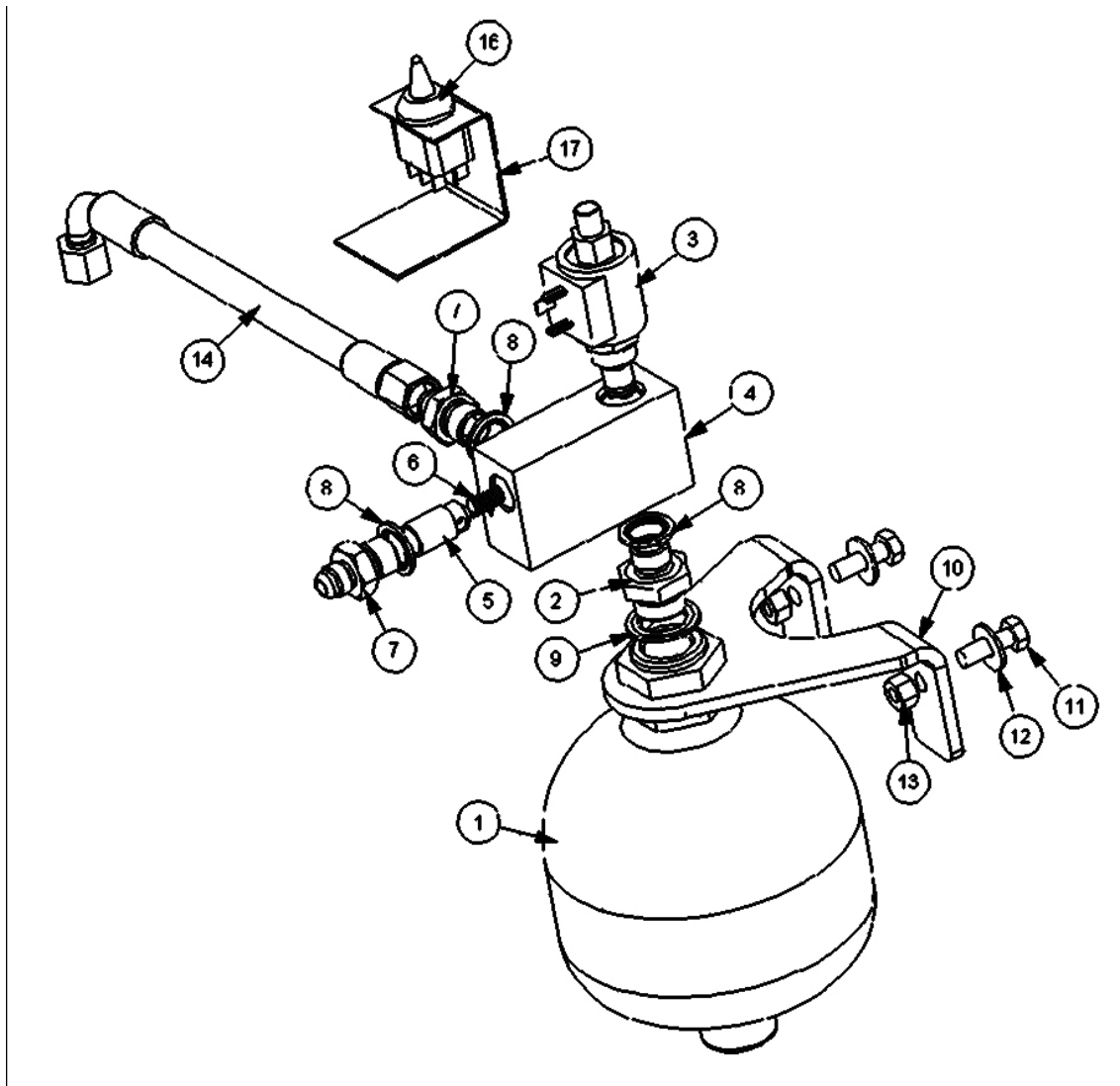
REF. NO.	PART NO.	DESCRIPTION	QTY.
1	7313049	GUARD PANEL, LARGE SELF COLOR	1
2	7313050	GUARD PANEL, SMALL- SELF COLOR	1
3	6001064	GUARD SPRING	2
4	6001065	GUARD HOOK	6
5	41587.01	GUARD HOOK	6
6	41745.01	HOOK,PLASTIC	8

# DECALS -BUSH HOG MARKING



REF. NO.	PART NO.	DESCRIPTION	QTY.
1	50068741	MODEL DECAL, RMB1445	2
2	50063360	DECAL, BH 8"	1
3	50061049	BUSH HOG DECAL	1
4	83380	SMV DECAL	1

# LIFT FLOAT KIT



REF. NO.	PART NO.	DESCRIPTION	QTY.
1	8126042	ACCUMULATOR 1.0L	1
2	G2410380	ADAPTOR 3/8" BSP X M22 M-M	1
3	8130183	POPPET VALVE NC	1
4	8126287	VALVE BLOCK-LIFT FLOAT	1
5	8126037	PISTON, RESPONSE	1
6	8116011	SPRING .275X23 SWG X 5/8 " LG	1
7	08.955.06	ADAPTOR	2
8	8650103	SEAL, 3/8" BSP BONDED	3
9	8650322	SEAL M22 BONDED	1
10	8126286	ACCUMULATOR BRACKET	1
11	9313054	CAPSCREW M8-P1.25- 25MM	2
12	9100104	WASHER, PLAIN 8MM DIA. BZP	2
13	70093C	LOCKNUT M8 X 1.25P TOP LOCK	2
14	08.957.09	HOSE 1/4" BORE X 9/16" JIC	1
15	1290061	OPERATION DECAL	1
16	8402194	SWITCH KIT-LIFT FLOAT	1
17	7192081	SWITCH BRACKET	1









**BUSH HOG<sup>®</sup>**

2501 Griffin Ave. • Selma, AL 36703  
(334) 872 6261 • (334) 874 2700  
Parts Ordering 1 800 304 2836  
Fax 1 800 572 1784  
[www.bushhog.com](http://www.bushhog.com)

## Free Manuals Download Website

<http://myh66.com>

<http://usermanuals.us>

<http://www.somanuals.com>

<http://www.4manuals.cc>

<http://www.manual-lib.com>

<http://www.404manual.com>

<http://www.luxmanual.com>

<http://aubethermostatmanual.com>

Golf course search by state

<http://golfingnear.com>

Email search by domain

<http://emailbydomain.com>

Auto manuals search

<http://auto.somanuals.com>

TV manuals search

<http://tv.somanuals.com>