

BUSH HOG®

Backhoe Models

CBH60 / CBH70 / CBH80

Operator's Manual



BUSH HOG®
Performance You Can Count On™

ASSEMBLY ● OPERATION ● MAINTENANCE

CONGRATULATIONS!

You have invested in the best implement of its type on the market today.

The care you give your Bush Hog implement will greatly determine your satisfaction with its performance and its service life. We urge a careful study of this manual to provide you with a thorough understanding of your new implement before operating, as well as suggestions for operation and maintenance.

If your manual should become lost or destroyed, Bush Hog will be glad to provide you with a new copy. Order from Bush Hog, 2501 Griffin Ave., Selma, Alabama 36703.

As an authorized Bush Hog dealer, we stock genuine Bush Hog parts which are manufactured with the same precision and skill as our original equipment. Our trained service personnel are well informed on methods required to service Bush Hog equipment, and are ready and able to help you.

Should you require additional information or assistance, please contact us.

YOUR AUTHORIZED
BUSH HOG DEALER

BECAUSE BUSH HOG MAINTAINS AN ONGOING PROGRAM OF PRODUCT IMPROVEMENT, WE RESERVE THE RIGHT TO MAKE IMPROVEMENTS IN DESIGN OR CHANGES IN SPECIFICATIONS WITHOUT INCURRING ANY OBLIGATION TO INSTALL THEM ON UNITS PREVIOUSLY SOLD.

BECAUSE OF THE POSSIBILITY THAT SOME PHOTOGRAPHS IN THIS MANUAL WERE TAKEN OF PROTOTYPE MODELS, PRODUCTION MODELS MAY VARY IN SOME DETAIL. IN ADDITION, SOME PHOTOGRAPHS MAY SHOW SHIELDS REMOVED FOR PURPOSES OF CLARITY. **NEVER OPERATE** THIS IMPLEMENT WITHOUT ALL SHIELDS IN PLACE.

Operator's Manual

BUSH HOG BACKHOE MODELS

CBH60, CBH70, CBH80

TABLE OF CONTENTS

SECTION/PARA	PAGE	SECTION/PARA	PAGE
Warranty	2	Tooth Replacement	16
Dealer Preparation Check List.	3	Lubrication	16
Safety Precautions.	5	Removal / Storage	17
Safety Decals.	44	Stabilizer Pads	18
Federal Laws and Regulations	8	Hydraulic Trouble Shooting	18
General Operation	9	Valve Repair CBH 60	25
Controls	9	Valve Repair CBH 70 & 80.	26
Operating The Backhoe.	10	Assembly	28
Transporting The Backhoe	12	Mounting Kit Instructions	29
Placing The Stabilizers	12	PTO Pump Kits	36
Filling The Bucket	13	Hydraulic Hook-Up To Tractor	40
Dumping The Bucket	13	Power Beyond Kit.	42
Trenching.	13	Mechanical Thumb.	47
Back Filling	14	Removing From Shipping Pallet.	49
Service.	15	General Specifications	50
Beginning Of Season.	15	Torque Specifications.	45
Hydraulic System.	15		

RETAIL CUSTOMER'S RESPONSIBILITY UNDER THE BUSH HOG WARRANTY

It is the Retail Customer and/or Operator's responsibility to read the Operator's Manual, to operate, lubricate, maintain, and store the product in accordance with all instructions and safety procedures. Failure of the operator to read the Operator's Manual is a misuse of this equipment.

It is the Retail Customer and/or Operator's responsibility to inspect the product and to have any part(s) repaired or replaced when continued operation would cause damage or excessive wear to other parts or cause a safety hazard.

It is the Retail Customer's responsibility to deliver the product to the authorized Bush Hog dealer from whom he purchased it, for service or replacement of defective parts which are covered by warranty. Repairs to be submitted for warranty consideration must be made within forty-five (45) days of failure.

It is the Retail Customer's responsibility for any cost incurred by the Dealer for traveling to or hauling of the product for the purpose of performing a warranty obligation or inspection.



BUSH HOG®
Performance You Can Count OnSM

LIMITED WARRANTY



Bush Hog warrants to the original purchaser of any new Bush Hog equipment, purchased from an authorized Bush Hog dealer, that the equipment be free from defects in material and workmanship for a period of one (1) year for non-commercial, state, and municipalities' use and ninety (90) days for commercial use from date of retail sale. The obligation of Bush Hog to the purchaser under this warranty is limited to the repair or replacement of defective parts.

Replacement or repair parts installed in the equipment covered by this limited warranty are warranted for ninety (90) days from the date of purchase of such part or to the expiration of the applicable new equipment warranty period, whichever occurs later. Warranted parts shall be provided at no cost to the user at an authorized Bush Hog dealer during regular working hours. Bush Hog reserves the right to inspect any equipment or parts which are claimed to have been defective in material or workmanship.

DISCLAIMER OF IMPLIED WARRANTIES & CONSEQUENTIAL DAMAGES

Bush Hog's obligation under this limited warranty, to the extent allowed by law, is in lieu of all warranties, implied or expressed, **INCLUDING IMPLIED WARRANTIES OF MERCHANTABILITY AND FITNESS FOR A PARTICULAR PURPOSE** and any liability for incidental and consequential damages with respect to the sale or use of the items warranted. Such incidental and consequential damages shall include but not be limited to: transportation charges other than normal freight charges; cost of installation other than cost approved by Bush Hog; duty; taxes; charges for normal service or adjustment; loss of crops or any other loss of income; rental of substitute equipment, expenses due to loss, damage, detention or delay in the delivery of equipment or parts resulting from acts beyond the control of Bush Hog.

THIS LIMITED WARRANTY SHALL NOT APPLY:

1. To vendor items which carry their own warranties, such as engines, tires, and tubes.
2. If the unit has been subjected to misapplication, abuse, misuse, negligence, fire or other accident.
3. If parts not made or supplied by Bush Hog have been used in connection with the unit, if, in the sole judgement of Bush Hog such use affects its performance, stability or reliability.
4. If the unit has been altered or repaired outside of an authorized Bush Hog dealership in a manner which, in the sole judgement of Bush Hog, affects its performance, stability or reliability.
5. To normal maintenance service and normal replacement items such as gearbox lubricant, hydraulic fluid, worn blades, or to normal deterioration of such things as belts and exterior finish due to use or exposure.
6. To expendable or wear items such as teeth, chains, sprockets, belts, springs and any other items that in the company's sole judgement is a wear item.

NO EMPLOYEE OR REPRESENTATIVE OF BUSH HOG IS AUTHORIZED TO CHANGE THIS LIMITED WARRANTY IN ANY WAY OR GRANT ANY OTHER WARRANTY UNLESS SUCH CHANGE IS MADE IN WRITING AND SIGNED BY BUSH HOG'S SERVICE MANAGER, 2501 GRIFFIN AVE., SELMA, ALABAMA 36703



Record the model number, serial number and date purchased. This information will be helpful to your dealer if parts or service are required.

MODEL NUMBER _____

SERIAL NUMBER _____

MAKE CERTAIN THE WARRANTY REGISTRATION CARD HAS BEEN FILED WITH BUSH HOG/
SELMA, ALABAMA

DATE OF RETAIL SALE _____

DEALER PREPARATION CHECK LIST

CBH60 - CBH70 - CBH80 BACKHOES

BEFORE DELIVERING MACHINE - The following check list should be completed.
Use the Operator's Manual as a guide.

- Machine properly assembled.
- All safety decals readable (See decal page).
- All bolts tightened to torque specifications given in the torque chart.
- Machine operates properly.
- Operator's manual has been delivered to owner and he has been instructed on the safe and proper use of the backhoe.

Dealer's Signature _____



CAUTION:

It is recommended that the tractor be equipped with Rollover Protection System (ROPS) and seat belt be used for all implement operations.

THIS CHECKLIST TO REMAIN IN OWNER'S MANUAL

It is the responsibility of the dealer to complete the procedures listed above before delivery of this implement to the customer.

Safety Alert Symbol



This Safety Alert Symbol means: “**ATTENTION! BECOME ALERT! YOUR SAFETY IS INVOLVED!**”

This symbol is used to call attention to safety precautions that should be followed by the operator to avoid accidents. When you see this symbol, carefully read the message that follows and heed its advice. Failure to comply with safety precautions could result in death or serious bodily injury.

Safety Signs *Signal Words*

The signal words **DANGER, WARNING, AND CAUTION** are used on the equipment safety signs. These words are intended to alert the viewer to the existence and the degree of hazard seriousness.



! DANGER

White letters on **RED**

This signal word indicates a potentially hazardous situation which, if not avoided, will result in death or serious injury.



! WARNING

Black letters on **ORANGE**

This signal word indicates a potentially hazardous situation which, if not avoided, could result in death or serious injury

It may also be used to alert against unsafe practices.



! CAUTION

Black letters on **YELLOW**

This signal word indicates a potentially hazardous situation exist which, if not avoided, may result in minor or moderate injury.

It may also be used to alert against unsafe practices.

IMPORTANT SAFETY PRECAUTIONS

This symbol is used to call attention to safety precautions that should be followed by the operator to avoid accidents. When you see this symbol, carefully read the message that follows and heed its advice. Failure to comply with safety precautions could result in serious bodily injury.



In addition to the design and configuration of equipment, hazard control and accident prevention are dependent upon the awareness, concern, prudence and proper training of personnel in the operation, transport, maintenance and storage of equipment. Lack of attention to safety can result in accident, personal injury, reduction of efficiency and worst of all—loss of life. Watch for safety hazards and correct deficiencies promptly. Use the following safety precautions as a general guide to safe operations when using this machine. Additional safety precautions are used throughout this manual for specific operating and maintenance procedures. Read this manual and review the safety precautions often until you know the limitations.

THE TRACTOR

1. Read the tractor operator's manual to learn how to operate your tractor safely. Failure to do so could result in serious injury or death and equipment damage.
2. It is recommended that tractor be equipped with Rollover Protective System (ROPS) and a seat belt be used for all loader operations.
3. Add wheel ballast or front weight for stability.
4. Move wheels to the tractor manufacturer's widest recommended settings to increase stability.
5. For better stability, use tractor with wide front axle rather than tricycle front wheels.
6. Move and turn the tractor at low speeds.
7. Stop tractor engine, place transmission in park (or neutral), engage parking brake, lower loader arms to ground, cycle all hydraulic controls to relieve pressure, allow machine moving parts to stop, remove ignition key to prevent unauthorized person from starting engine before dismounting tractor or servicing, repairing, or making adjustments to the equipment.
8. Wear personal protective equipment (PPE) such as, but not limited to, protection for eyes, ears, lungs, head, hands and feet when operating, servicing, or repairing equipment. Avoid wearing loose clothing or jewelry that may catch and entangle on equipment moving parts.

THE BACKHOE

1. DO NOT operate the backhoe unless it is rigidly attached to the tractor or skid steer loader.
2. KNOW your controls. Read this operator's manual and the manual provided with your tractor. Learn how to stop the tractor, the engine and the backhoe quickly in an emergency.
3. PROVIDE adequate front end weight to counter-balance the backhoe at all times. 20% of the total tractor, loader and backhoe weight must be on the tractor front axle. If unsure of weight distribution, determine at a weight scale. Total vehicle weight, including backhoe and counter weights, must not exceed the ROPS certificate for gross vehicle weight.
4. BE SURE the area is clear of overhead or underground utilities or other hazards.
5. POSITION a barricade around the work area.
6. KEEP all bystanders a safe distance away.
7. DO NOT attempt to enter operator's platform of backhoe by using the stabilizers as a step.
8. OPERATE from the backhoe operator's seat only.
9. ALLOW only one person to operate the backhoe at any time.
10. DISENGAGE safety locks as shown in Figures 1 & 3 before attempting to operate the backhoe.
11. NEVER dig with the backhoe unless the stabilizers are properly set.

SAFETY PRECAUTIONS CONTINUED

12. DO NOT dig under stabilizers or tractor backhoe. Soft ground or sandy soil can cause cave-ins.
13. KEEP BUCKET away from the stabilizer area to avoid possible stabilizer damage.
14. ALWAYS swing bucket uphill to dump when on a hillside and keep loaded bucket low.
15. SET BRAKES and block wheels when operating on hills and banks to avoid dangerous runaway.
16. WATCH for overhead wires. DO NOT touch wires with any part of the backhoe.
17. NEVER allow a person to work under a raised bucket.
18. NEVER lift a person with the backhoe.
19. DO NOT use the backhoe as a battering ram. Use the backhoe only for digging.
20. ALWAYS lower the backhoe bucket and stabilizers to the ground, shut off engine, and apply the parking brake before getting off unit, or when not digging.
21. NEVER leave the tractor unattended with the engine running.
22. DO NOT attempt to raise the tractor off the ground or move the tractor forward or backward using the backhoe dipperstick or bucket.

TRANSPORTATION

1. ALWAYS engage safety locks before transporting backhoe. See Figures 1 & 3.
2. DO NOT drive the tractor near the edge of a ditch or excavation.
3. ALWAYS use accessory lights and devices when transporting on a road or highway to warn operators of other vehicles. Check your local government regulations.
4. BE SURE the SMV emblem is visible to the rear.

ADJUSTMENTS AND INSPECTION

1. CHECK pins that attach backhoe to tractor and all pivot pins for tightness several times daily. Replace any parts that are bent, broken or missing.
2. ALWAYS engage safety locks before servicing backhoe. See Figures 1 & 3.
3. DO NOT oil, grease, or adjust the backhoe while it is in motion. For greasing, see Service section for details.
4. DO NOT change any backhoe relief valve settings. They are factory set for best backhoe performance and safety.
5. PROTECT YOUR EYES - WEAR SAFETY GLASSES.
6. GUARD AGAINST INJURY when driving connecting pins or performing any repair in which particles can chip from work piece or striking tool.
7. DO NOT remove any guards on backhoe or tractor.

AVOID HIGH-PRESSURE FLUIDS



ESCAPING fluid under pressure can have sufficient force to penetrate the skin and cause serious injury. Be sure to stop engine and relieve all pressure before disconnecting lines. Be sure all connections are tight and that lines, pipes, and hoses are not damaged before applying pressure to the system. Fluid escaping from a very small hole can be almost invisible. Use a piece of cardboard or wood - not your hands - to search for suspected leaks.

SEE A DOCTOR at once if injured by escaping fluid. Serious infection or gangrene can develop if proper medical treatment is not administered immediately.

SAFETY DECALS

The safety of the operator was a prime consideration in the design of the backhoe. Proper shielding, convenient controls, simple adjustments and other safety features have been built into this implement. The following decals are located on the backhoe. Keep decals clean and replace them immediately if they are missing. Contact your dealer or Bush Hog for replacements.

! DANGER

CRUSHING HAZARD

DO NOT OPERATE 3-POINT RIGID MOUNT BACKHOE UNLESS HITCH AND STABILIZER BARS ARE INSTALLED PROPERLY. FAILURE TO DO SO MAY RESULT IN SERIOUS INJURY OR DEATH FROM BACKHOE BEING THRUST UPWARD BY DIGGING FORCES - CRUSHING OPERATOR.

OPERATOR'S AREA (SHADED AREA OF 40" RADIUS FROM SEAT TO 10" BEHIND SEAT) MUST BE FREE FROM ALL OBSTRUCTIONS.

USE ONLY SPECIAL HITCH PARTS SUPPLIED WITH BACKHOE. SEE OPERATOR'S MANUAL FOR PROPER ASSEMBLY AND ADJUSTMENT OF HITCH.

20093

All Models

! WARNING

TO PREVENT BODILY INJURY: DO NOT OPERATE THIS BACKHOE UNLESS IT IS RIGIDLY ATTACHED TO THE TRACTOR USING THE APPROPRIATE FACTORY - PROVIDED MOUNTING KIT. DO NOT MOUNT BACKHOE ON A 3 - POINT "QUICK ATTACHING COUPLER."

10076

All Models

! CAUTION

1. READ OPERATOR'S MANUAL BEFORE USING BACKHOE.
2. OPERATE BACKHOE CONTROLS ONLY FROM NORMAL BACKHOE OPERATOR'S SEAT POSITION.
3. OPERATE ONLY WITH STABILIZERS DOWN AND ON FIRM FOOTING. AVOID DIGGING IN AREA OF STABILIZER PADS. STAY CLEAR OF STEEP AREAS OR EXCAVATION BANKS THAT COULD GIVE WAY.
4. CHECK THE OPERATING AREA TO BE DUG FOR ANY POSSIBLE OVERHEAD OR UNDERGROUND LINES SUCH AS ELECTRIC, GAS, OIL, WATER, ETC., AND EXTREME CAUTION MUST BE EXERCISED IN THESE AREAS WHERE PRESENT. CONSULT LOCAL UTILITIES BEFORE DIGGING.
5. KEEP BYSTANDERS AWAY FROM MAXIMUM SWING REACH AREA AND STABILIZERS.
6. KEEP ALL GUARDS IN PLACE.
7. INSPECT BACKHOE DAILY FOR LOOSENED, BENT, OR BROKEN PARTS.
8. ENGAGE SAFETY LOCKS BEFORE TRANSPORTING OR SERVICING BACKHOE.
9. BE SURE TRACTOR IS WEIGHTED TO PROVIDE AT LEAST 20% OF TOTAL WEIGHT ON FRONT WHEELS WITH BACKHOE IN TRANSPORT POSITION.
10. DO NOT USE WITH TRACTOR HYDRAULIC SYSTEMS THAT EXCEED 5 GPM FLOW RATE OR 2100 PSI OPERATING PRESSURE.
11. FOR 3-POINT RIGID MOUNT BACKHOES ONLY: MOUNT ONLY TO TRACTORS FROM 15 TO 25 PTO HP WITH CAT I HITCH. 700 LB LIFT FORCE REQUIRED AT 24" BEHIND LIFT POINT.

20286

CBH 60

! CAUTION

1. READ OPERATOR'S MANUAL BEFORE USING BACKHOE.
2. OPERATE BACKHOE CONTROLS ONLY FROM NORMAL BACKHOE OPERATOR'S SEAT POSITION.
3. OPERATE ONLY WITH STABILIZERS DOWN AND ON FIRM FOOTING. AVOID DIGGING IN AREA OF STABILIZER PADS. STAY CLEAR OF STEEP AREAS OR EXCAVATION BANKS THAT COULD GIVE WAY.
4. CHECK THE OPERATING AREA TO BE DUG FOR ANY POSSIBLE OVERHEAD OR UNDERGROUND LINES SUCH AS ELECTRIC, GAS, OIL, WATER, ETC., AND EXTREME CAUTION MUST BE EXERCISED IN THESE AREAS WHERE PRESENT. CONSULT LOCAL UTILITIES BEFORE DIGGING.
5. KEEP BYSTANDERS AWAY FROM MAXIMUM SWING REACH AREA AND STABILIZERS.
6. KEEP ALL GUARDS IN PLACE.
7. INSPECT BACKHOE DAILY FOR LOOSENED, BENT, OR BROKEN PARTS.
8. ENGAGE SAFETY LOCKS BEFORE TRANSPORTING OR SERVICING BACKHOE.
9. BE SURE TRACTOR IS WEIGHTED TO PROVIDE AT LEAST 20% OF TOTAL WEIGHT ON FRONT WHEELS WITH BACKHOE IN TRANSPORT POSITION.
10. DO NOT USE WITH TRACTOR HYDRAULIC SYSTEMS THAT EXCEED 8 GPM FLOW RATE OR 2500 PSI OPERATING PRESSURE.
11. FOR 3-POINT RIGID MOUNT BACKHOES ONLY: MOUNT ONLY TO TRACTORS FROM 25 TO 45 PTO HP WITH CAT I OR II HITCH. 1050 LB LIFT FORCE REQUIRED AT 24" BEHIND LIFT POINT.

20095

CBH 70

! CAUTION

1. READ OPERATOR'S MANUAL BEFORE USING BACKHOE.
2. OPERATE BACKHOE CONTROLS ONLY FROM NORMAL BACKHOE OPERATOR'S SEAT POSITION.
3. OPERATE ONLY WITH STABILIZERS DOWN AND ON FIRM FOOTING. AVOID DIGGING IN AREA OF STABILIZER PADS. STAY CLEAR OF STEEP AREAS OR EXCAVATION BANKS THAT COULD GIVE WAY.
4. CHECK THE OPERATING AREA TO BE DUG FOR ANY POSSIBLE OVERHEAD OR UNDERGROUND LINES SUCH AS ELECTRIC, GAS, OIL, WATER, ETC., AND EXTREME CAUTION MUST BE EXERCISED IN THESE AREAS WHERE PRESENT. CONSULT LOCAL UTILITIES BEFORE DIGGING.
5. KEEP BYSTANDERS AWAY FROM MAXIMUM SWING REACH AREA AND STABILIZERS.
6. KEEP ALL GUARDS IN PLACE.
7. INSPECT BACKHOE DAILY FOR LOOSENED, BENT, OR BROKEN PARTS.
8. ENGAGE SAFETY LOCKS BEFORE TRANSPORTING OR SERVICING BACKHOE.
9. BE SURE TRACTOR IS WEIGHTED TO PROVIDE AT LEAST 20% OF TOTAL WEIGHT ON FRONT WHEELS WITH BACKHOE IN TRANSPORT POSITION.
10. DO NOT USE WITH TRACTOR HYDRAULIC SYSTEMS THAT EXCEED 12 GPM FLOW RATE OR 2700 PSI OPERATING PRESSURE.
11. FOR 3-POINT RIGID MOUNT BACKHOES ONLY: MOUNT ONLY TO TRACTORS FROM 45 TO 95 PTO HP WITH CAT I OR II HITCH. 1450 LB LIFT FORCE REQUIRED AT 24" BEHIND LIFT POINT.

20096

CBH 80

IMPORTANT FEDERAL LAWS AND REGULATIONS* CONCERNING EMPLOYERS, EMPLOYEES AND OPERATIONS.

*(This section is intended to explain in broad terms the concept and effect of the following federal laws and regulations. It is not intended as a legal interpretation of the laws and should not be considered as such).

U.S. Public Law 91-596 (The Williams-Steiger Occupational Safety and Health Act of 1970) OSHA

This Act Seeks:

“...to assure so far as possible every working man and woman in the nation safe and healthful working conditions and to preserve our human resources...”

DUTIES

Sec. 5 (a) Each employer—

- (1) shall furnish to each of his employees employment and a place of employment which are free from recognized hazards that are causing or are likely to cause death or serious physical harm to his employees;
- (2) shall comply with occupational safety and health standards promulgated under this Act.
 - (b) Each employee shall comply with occupational safety and health standards and all rules, regulations and orders issued pursuant to this Act which are applicable to his own actions and conduct.

OSHA Regulations

Current OSHA regulations state in part: “At the time of initial assignment and at least annually thereafter, the employer shall instruct every employee in the safe operation and servicing of all equipment with which the employee is, or will be involved.” These will include (but are not limited to) instructions to:

Keep all guards in place when the machine is in operation;

Permit no riders on equipment;

Stop engine, disconnect the power source, and wait for all machine movement to stop before servicing, adjusting, cleaning or unclogging the equipment, except where the machine must be running to be properly serviced or maintained, in which case the employer shall instruct employees as to all steps and procedures which are necessary to safely service or maintain the equipment.

Make sure everyone is clear of machinery before starting the engine, engaging power, or operating the machine.

EMPLOYEE TRACTOR OPERATING INSTRUCTIONS:

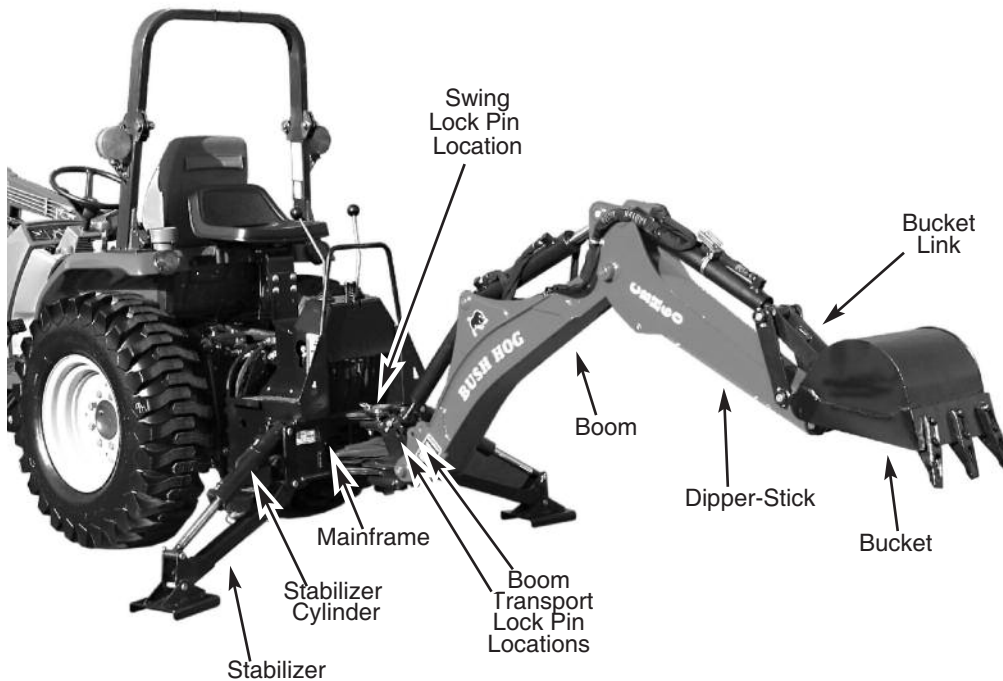
1. Securely fasten your seat belt if the tractor has a ROPS.
2. Where possible, avoid operating the tractor near ditches, embankments, and holes.
3. Reduce speed when turning, crossing slopes, and on rough, slick, or muddy surfaces.
4. Stay off slopes too steep for safe operation.
5. Watch where you are going, especially at row ends, on roads, and around trees.
6. Do not permit others to ride.
7. Operate the tractor smoothly - no jerky turns, starts, or stops.
8. Hitch only to the drawbar and hitch points recommended by tractor manufacturers.
9. When tractor is stopped, set brakes securely and use park lock if available.

Child Labor Under 16 Years Old

Some regulations specify that no one under the age of 16 may operate power machinery. It is your responsibility to know what these regulations are in your own area or situation. (Refer to U.S. Dept. of Labor, Employment Standard Administration, Wage & Home Division, Child Labor Bulletin #102.)

GENERAL OPERATION

Figure 1



CAUTION

To avoid possible injury, observe the following safety rules **BEFORE OPERATING** the backhoe:

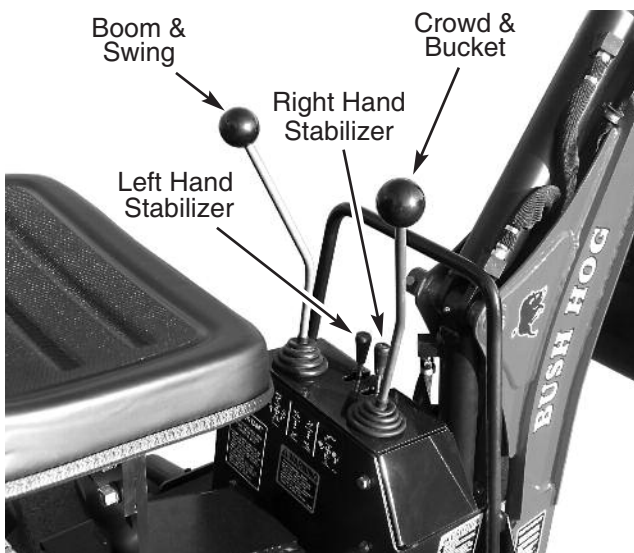
1. **BE SURE** area is clear of underground utilities or other hazards.
2. **POSITION** barricade around work area.
3. **PROVIDE** adequate front end weight to counter-balance tractor at all times. 20% of the total tractor, loader and backhoe weight must be on the tractor front axle.
4. **Keep bystanders** a safe distance away.

DIRECTIONS: The terms right, left, front and back shall be determined from the position of the operator when seated in the operating position on the backhoe.

Engine Speed

The speed at which the backhoe operates is partially dependent on engine RPM. Use a moderate engine speed to start and increase it as your experience permits. Refer to "SPECIFICATIONS" for hydraulic flow volume requirements. When powering from tractor systems with higher output, reduce engine RPM to obtain acceptable backhoe operating speed.

Figure 2 Control Handles



CONTROLS

The backhoe has two major control levers plus the stabilizer control levers. These controls are located on the control console directly ahead of the operator. See Figure 2. The following is a list of the controls, with the function of each, reading from left to right.

1. **Left Hand Stabilizer:** Push lever forward, the LH stabilizer lowers. Pull lever back, the LH stabilizer raises.
2. **Boom/Swing:** Push lever forward, the boom moves down, away from the operator. Pull lever back, the boom moves up, toward the operator.

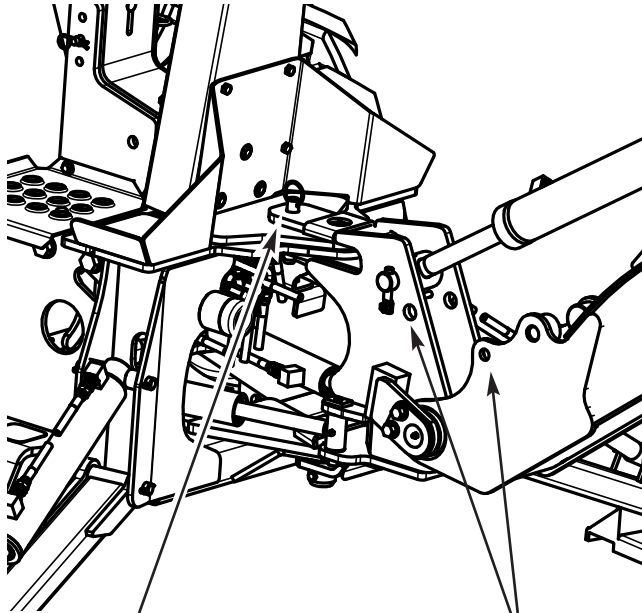
The Boom/Swing Control Lever has an added "float" function. A detent or stop should be felt when the lever is pushed forward to move the boom down. Pushing the lever forward more will overcome the detent and cause the boom to float, or move down or up freely, depending on the forces acting on it. When the lever is released it should return to the center, neutral position.

Move lever to the left, the backhoe swings to the left. Move lever to the right, the backhoe swings to the right.

By moving the lever to one of the intermediate positions, the boom can be swung left or right at the same time it is being raised or lowered, performing the two operations simultaneously.

SWING LEFT AND LOWER the boom by moving the control lever forward and to the left.

Figure 3 Safety Locks



Swing Lock Pin Boom Transport Lock Pin Location

SWING LEFT AND RAISE the boom by moving the control lever back and to the left.

SWING RIGHT AND LOWER the boom by moving the lever forward and to the right.

SWING RIGHT AND RAISE the boom by moving the lever back and to the right.

3. Crowd/Bucket: Push lever forward, the dipperstick moves out, away from the operator. Pull lever back, the dipperstick moves in, toward the operator.

Move lever to left, the bucket curls in. Move lever to right, the bucket extends out.

By moving the lever to one of the intermediate positions, the dipperstick can be extended or retracted at the same time the bucket is being loaded or dumped.

EXTEND AND LOAD the bucket by moving the lever forward and to the left.

RETRACT AND LOAD the bucket by moving the lever back and to the left.

EXTEND AND DUMP the bucket by moving the lever forward and to the right.

RETRACT AND DUMP the bucket by moving the lever back and to the right.

The two operations of the boom/swing lever, combined with the two operations performed by the crowd/bucket control lever, provide four simultaneous operations from the two levers, keeping cycle time to a minimum.

4. Right Hand Stabilizer: Push lever forward, the RH stabilizer lowers. Pull lever back, the RH stabilizer raises.

Figure 3a



Lock Pins
Storage Locations

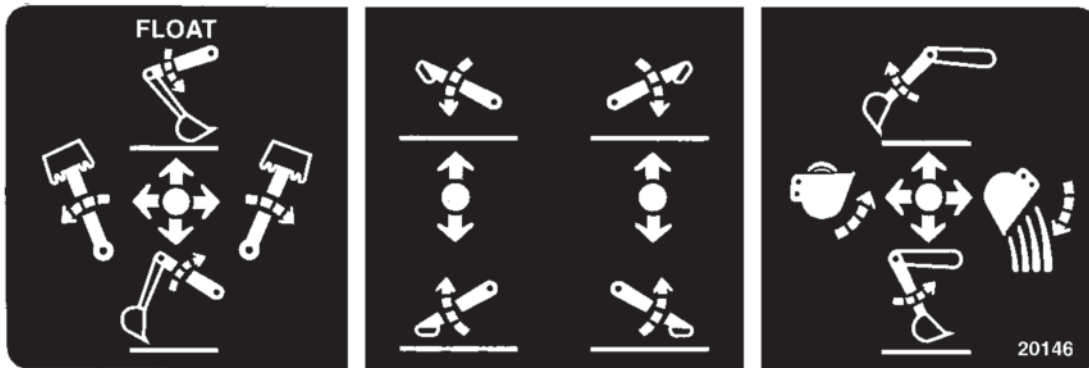
In general, the direction of movement of a control lever corresponds to the movement of the operating member.

OPERATING THE BACKHOE

CAUTION

To avoid possible injury, observe the following safety rules WHEN OPERATING the backhoe.

- 1. DISENGAGE** safety lock pins as shown in Figure 3 before attempting to operate the backhoe. Store lock pins in angled tubes located at the rear right hand side of the backhoe below the foot platform. See Figure 3a.
- 2. OPERATE** from the backhoe operator's seat only.
- 3. LOWER** the stabilizers until the rear of the tractor is totally supported by them. **NOTE:** Rear tires should not come up off of the ground. See Placing The Stabilizers diagram on Page 12.
- 4. DO NOT** dig near the stabilizers.
- 5. DO NOT** touch overhead wires with any part of the backhoe.
- 6. DO NOT** attempt to raise the tractor off the ground or move the tractor forward or backward using the backhoe dipperstick or bucket.
- 7. DO NOT** lose stability by swinging the bucket downhill when positioned on a slope.
- 8. DO NOT** lower the backhoe boom using the "float" function. It will free fall, and could result in injury to bystanders or damage to the backhoe.



Location: Back Of Control Panel

It is not difficult to become an efficient operator. Control lever operating decal is located on back of the control console. Study this decal. It will assist you in becoming familiar with the controls.

Smooth, light handling of the controls will result in the most efficient backhoe operation.

Operate the backhoe control levers to become familiar with their speed and movements. The engine speed and the size of the hydraulic system will determine the speed of cylinder operation. When powering from tractor systems with higher output than required, reduce engine RPM to obtain acceptable backhoe operating speed.

Swing the boom several times to practice controlling the speed of swing. Do not operate the swing more than 45° each way for the first few times, then gradually increase the arc.

IMPORTANT: To avoid damage to the backhoe, do not slam unit into the rubber bumpers when swinging the boom right or left.

The boom "float" function may be used during digging to eliminate down pressure when cleaning the bottom of a trench. The primary purpose of the boom "float" function is to protect the operator from serious injury in the event that the backhoe or tractor hitch would fail.

Best results are obtained by digging near the center of the swing arc so material can be dumped on either side.

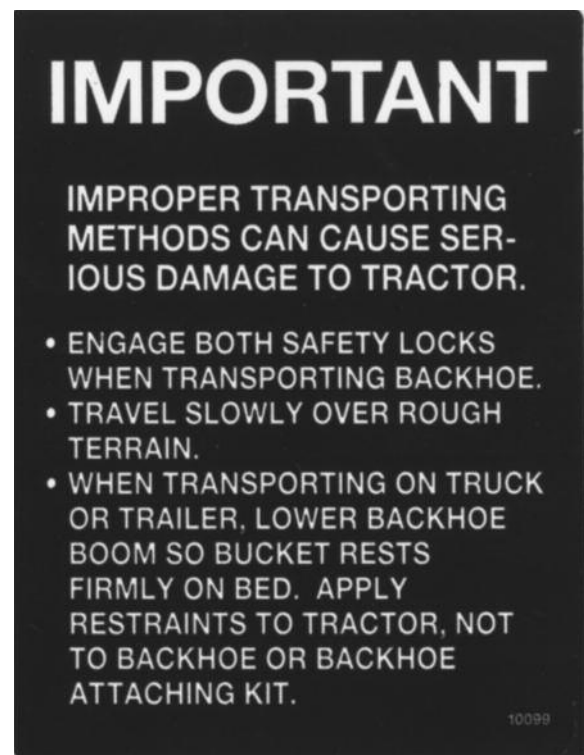
As the operator becomes more familiar with the operation of the backhoe, it will be common practice to operate two controls at one time. For example, with the bucket extended and the dipperstick extended, the lift control and crowd control can be operated together to bring the bucket toward the operator with down pressure on it. As the dipperstick approaches the operator, the crowd and bucket controls can be operated to close the bucket and trap the material. At the end of the stroke, the lift and crowd controls are operated to move the load up and away from the operator to save time in clearing the excavation.

This dual operation of controls will speed and simplify the digging operation. Normally the two or more movements will not be equal or even simultaneous, but as the pressure within the cylinders changes, and the resistance on an operating member of the hoe lessens, it will begin to move. It is balancing the force of one member against the other.

NOTE: Actuating the bucket is the key to powerful digging. Operating the crowd and bucket controls simultaneously will insure a full bucket and prevent waste motion and time.

TRANSPORTING THE BACKHOE

IMPORTANT: To prevent serious damage to the tractor, read and follow the instructions on the following decal:



Location: Right Side of Boom

⚠ CAUTION

To avoid possible injury, observe the following safety rules when transporting the backhoe:

1. ALWAYS engage safety locks as shown on Figs. 1 and 3 when transporting backhoe.
2. TRAVEL SLOWLY over rough terrain, on hillsides, and around curves to prevent tipping.
3. DO NOT drive the tractor near the edge of a ditch or excavation.

4. USE accessory lights and SMV emblem when traveling on highways.

Before leaving backhoe operator's seat, position the backhoe for transport by raising boom, crowding dipperstick in, swinging to center and raising the stabilizers.

When transporting for long distances, periodically examine the backhoe and raise stabilizers and bucket back up to the full transport height. It is normal for the backhoe to slowly settle while being transported.

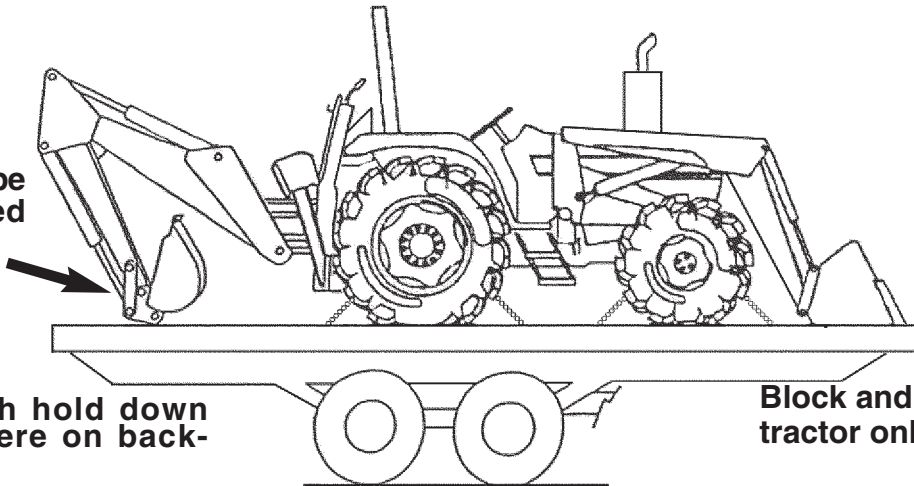
WHEN TRANSPORTING ON A TRAILER

Figure 4

⚠ CAUTION

DO NOT CHAIN BACKHOE DOWN IN ORDER TO SECURE TRACTOR TO TRAILER

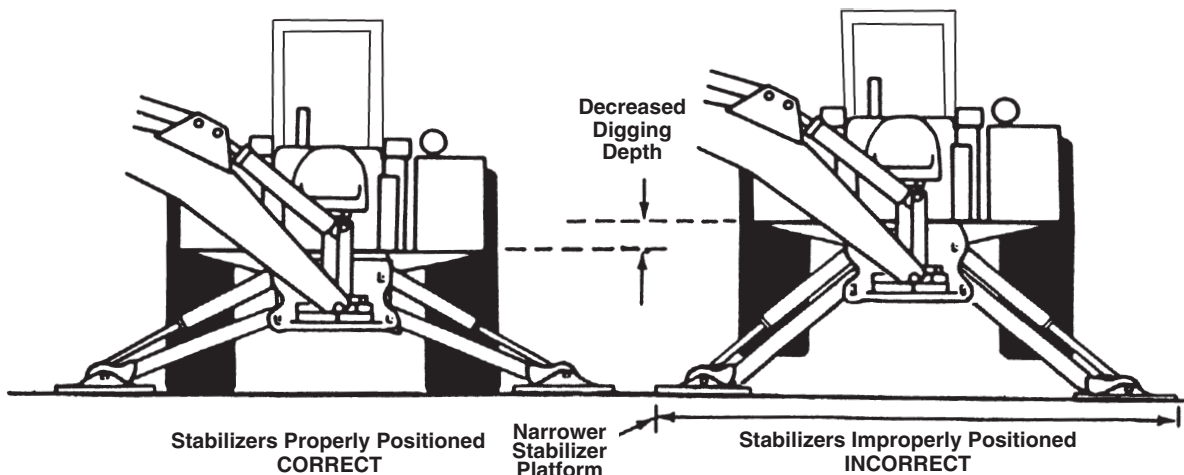
Note:
Bucket should be lowered to bed when possible.



DO NOT attach hold down chains anywhere on backhoe assembly.

Block and secure tractor only.

PLACING THE STABILIZERS



Stabilizers Properly Positioned
CORRECT

Narrower Stabilizer Platform

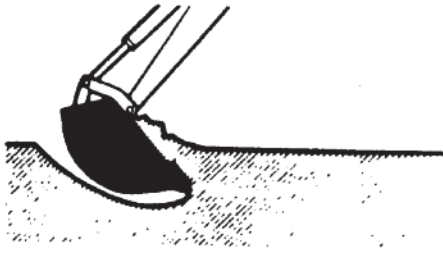
Stabilizers Improperly Positioned
INCORRECT

Set the stabilizers to remove weight from the rear wheels. The wheels are to remain touching the ground as this provides for the widest stabilizer stance and the lowest center of gravity. Raising the wheels off the ground will not only reduce stability and digging depth, but will impair performance and impose unnecessary stress on the unit.

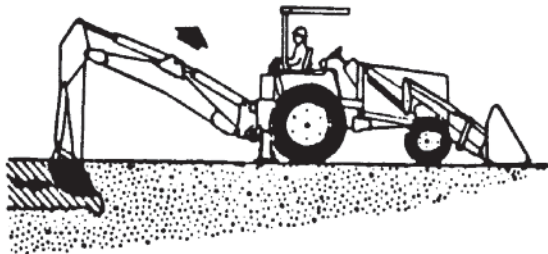
General Operations

FILLING THE BUCKET

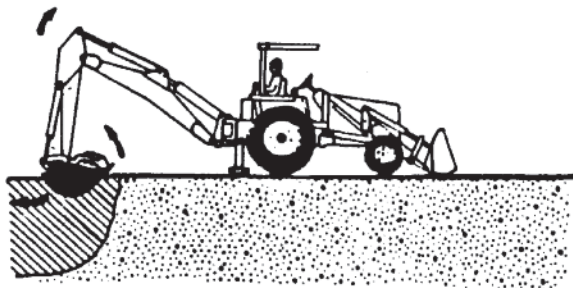
Control the bucket attitude throughout the digging cycle to keep teeth at the proper angle for best penetration. This will minimize dragging and scraping the bucket through the ground.



When digging in hard-packed soil, bucket penetration can be increased by applying down pressure with the boom while digging in and curling the bucket. If the crowd action "stalls" it may be necessary to apply lift occasionally during the digging cycle to correct the bucket depth.

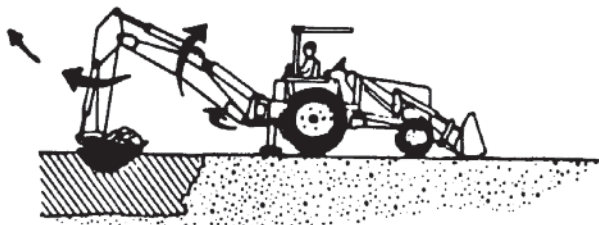


To obtain a cleaner trench and avoid the buildup of material directly in front of the backhoe, crowd out and completely curl the bucket while starting to lift it from the excavation. In this way, excess material will fall back into the excavation.



DUMPING THE BUCKET

To dump the bucket at the end of the digging cycle, lift the bucket clear of the trench while crowding it out and swinging it to the spoil pile.

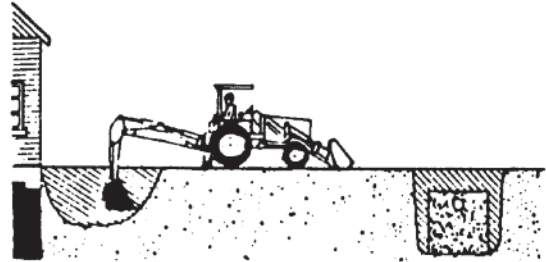


As the pile is approached, dump the bucket. When the bucket is empty, the dipperstick and bucket are in position to resume digging upon return to the trench.

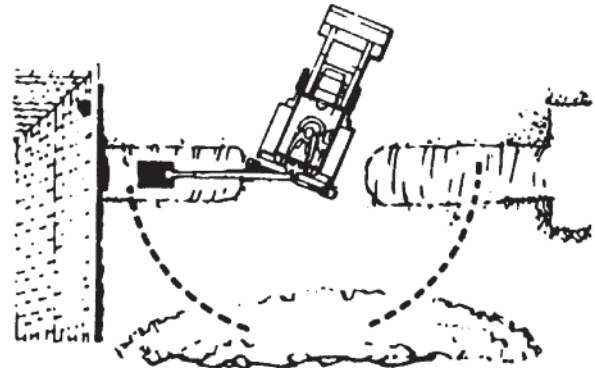
IMPORTANT: Avoid constant jarring or hammering-type contact between the spoil pile and the loaded bucket, as this may cause premature wear to the backhoe pins and bushings.

TRENCHING BETWEEN A BUILDING AND OPEN EXCAVATIONS

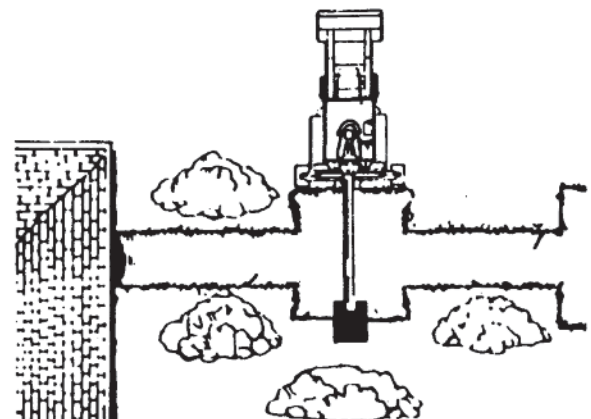
Start the trench at the building. Trench out halfway to the excavation. Then start trenching from the excavation to the first trench. Dig toward the first trench until there is just enough room to move the unit out between the two trenches.



Position the unit so the backhoe swing post is over the centerline of the trench connection. Dig with the backhoe at extreme swing positions, and in as close to the stabilizers as possible. Pile the spoil on the opposite side of the trenches.



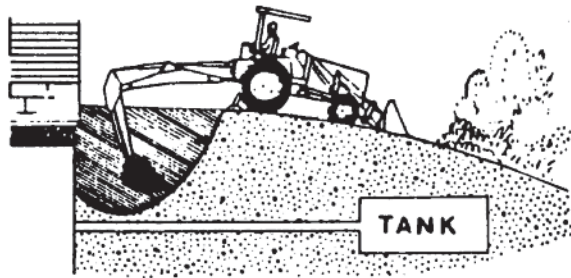
Position the unit forward with the lift and crowd levers so the two trenches can be connected. Pile the spoil on the opposite side of the trench.



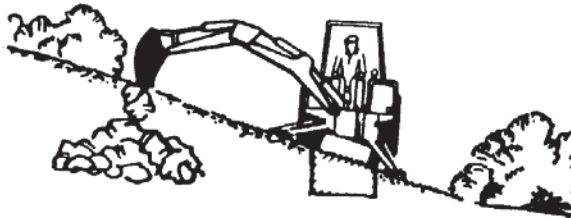
General Operations

SIDE SLOPE EXCAVATING OR TRENCHING

Dig with the backhoe uphill whenever possible.

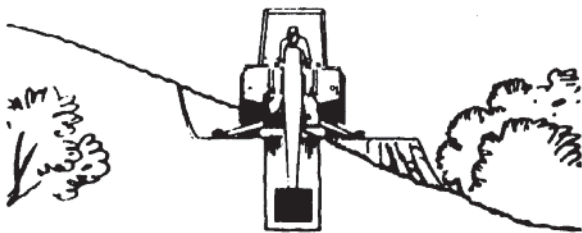


Level the backhoe on slopes with the stabilizers to dig plumb trenches, or use the backhoe or loader to cut a level slot for the uphill wheel and stabilizer. Pile the spoil from the slot on the low side.



When on the side of a steep slope, cut a level surface along the uphill side of the trench with the loader.

Pile the spoil of the cut downhill. When digging, pile the spoil of the trench uphill.

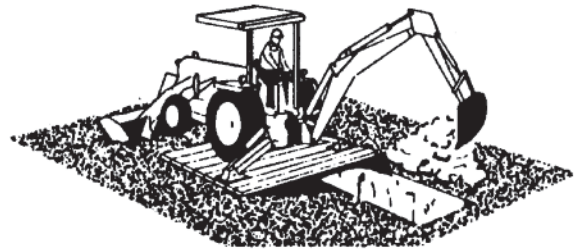


Dig field trenches progressively. As soon as one trench is completed, have the workmen lay the tile. Start the next trench, using the spoil to fill the previous trench.



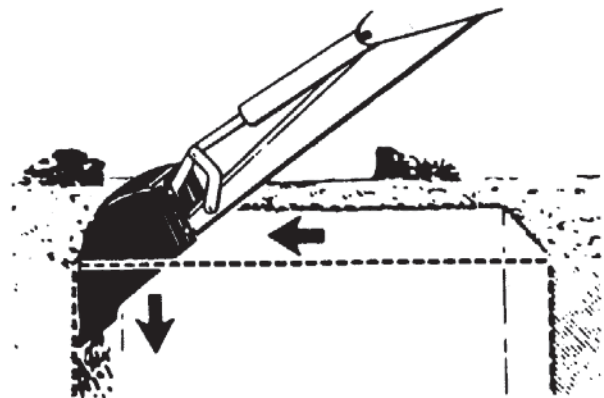
MISCELLANEOUS

When finishing straight walls or bellholes in sandy soil, use a platform under the rear tires and the stabilizers. The platform distributes the load over a larger area and lessens the possibility of a cave-in. The platform also tends to keep the unit from creeping rearward if hard digging is encountered.

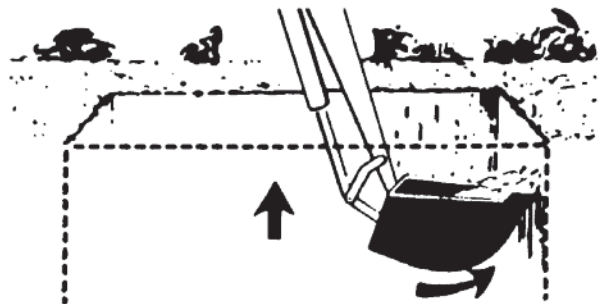


FINISHING STRAIGHT WALLS

Finish the far wall by crowding out while forcing the bucket down from the boom. Actuate the bucket (curl out) to keep the bottom of the bucket vertical.



To finish the near wall, lift up and crowd in. Keep the edges of the bucket horizontal.



BACKFILLING

Backfill by lifting the bucket over the spoil pile and then crowding in. Pull both the crowd and lift levers for smooth, even backfilling.

IMPORTANT: Do not backfill by using the swing circuit and dragging the bucket sideways. Doing so can cause damage to the dipperstick, boom, or swing cylinders and/or the mainframe.

SERVICE

CAUTION

To avoid possible injury, observe the following safety rules *WHEN SERVICING* the backhoe:

1. ENGAGE safety locks as shown in Figures 1 & 3 before servicing the backhoe.
2. DO NOT oil, grease or adjust the backhoe while it is in motion.
3. DO NOT change any backhoe relief valve settings. They are factory set for best performance and safety.

4. ESCAPING FLUID under pressure can have sufficient force to penetrate the skin and cause serious injury. Be sure to relieve all pressure before disconnecting lines. Be sure all connections are tight and that lines, pipes and hoses are not damaged before applying pressure to the system.



5. FLUID ESCAPING from a very small hole can be almost invisible. Use a small piece of cardboard or wood - not your hands - to search for suspected leaks.

6. SEE A DOCTOR AT ONCE if injured by escaping fluid. Serious infection or gangrene can develop if proper medical treatment is not administered immediately.

7. PROTECT YOUR EYES - Wear safety glasses. Guard against injury when driving connecting pins or performing any repair in which particles can chip from work piece or striking tool.

BEGINNING OF SEASON

Remove all protective coverings.

Check hydraulic hoses for deterioration and replace, if necessary.

Lubricate all grease fittings and oil handle linkages.

Check hydraulic system for loss of fluid and, if necessary, fill to proper level.

Tighten all loose bolts, nuts and setscrews.

Inspect bucket teeth and, if necessary, sharpen or replace them.

Operate the backhoe slowly for a short time before placing the unit under full load.

Bleeding Backhoe Hydraulic System

If the hydraulic hoses have been disconnected from the backhoe or tractor, all trapped air must be removed after the hoses are connected. Start tractor engine and operate backhoe through all movements fully several times to purge the system of air.

Hydraulic System Hoses

Oil leaks in the pressure side of the system can be located by carefully inspecting the external area of the hoses and fittings.

Check the return side of the system for leaks by examining the oil in the reservoir. If air is being drawn into the system, the oil will contain air bubbles and appear to foam.

When tightening connections, always use two wrenches.

IMPORTANT: Do not over-tighten fittings. Make them just tight enough to eliminate leaks.

NEVER use teflon tape on pipe thread fittings. Always use a paste-type sealer.

Hoses on any backhoe are very severely worked and will fail in time. Examine them regularly and replace any that show signs of failure. Pay careful attention to the routing of hoses so they can move fully and freely without kinking, and cannot be pinched or cut by any part of the backhoe.

Hydraulic System Reservoir

On PTO pump systems, maintain the reservoir oil at the proper level by looking at the dipstick. The dipstick/breather cap is located directly behind the right side of the foot platform on the backhoe. When checking oil level, the backhoe should be extended to full reach with the bucket rolled back and resting on the ground. All cylinders are retracted except for the boom cylinder. Do not overfill; oil may be forced out of the breather cap.

Fill with:

SAE 10W40 engine oil with API "SF/SG" classification in northern climates.

SAE 40W engine oil with API "SF/SG" classification in southern climates.

Change oil every 200 hours or more often if necessary. To change oil, extend backhoe to full reach with bucket rolled back and resting on ground. Turn off tractor PTO and shut down tractor engine. Drain oil from reservoir and replace drain plug. **Refill reservoir with 4 gallons of fresh oil following guidelines listed above for proper oil selection.** Reseat breather cap and start engine and PTO. After cycling all backhoe functions several times to remove any air from hydraulic system, check oil level in reservoir with backhoe extended to full reach and bucket rolled back and resting on ground. If oil level on dipstick is below "ADD" line, add enough oil to bring level up to "FULL" line. **DO NOT** overfill reservoir or oil may be forced out through breather cap during backhoe operation.

If the tractor system supplies the hydraulic power, service according to the tractor instruction manual.

TOOTH REPLACEMENT

The bucket tooth points are shelf-sharpening and will require little attention; however these points on the bucket shanks can be replaced when they become badly worn or broken. If a tooth shank breaks off, becomes damaged or lost so that it cannot hold a tooth point, a new shank should be welded to the bucket in its place.

Peened-On tooth points can be removed from the welded tooth shank by hammering at "A" (Figure 5) on the tooth point or by driving a chisel at "B", just between the tooth point box section and the tooth shank. Install the new point and anchor it to the shank by peening at the location shown.

Bolt-On tooth points, when worn, can be replaced by removing the hardware that connects it to the cutting edge. Install new tooth and replace hardware if necessary. (Figure 6)

Roll-Pinned tooth points, when worn, can be replaced by driving out the roll pin with a hammer and punch. Install the new tooth using a new roll pin and hammer. (Figure 7)

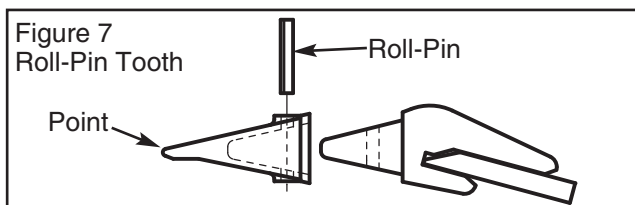
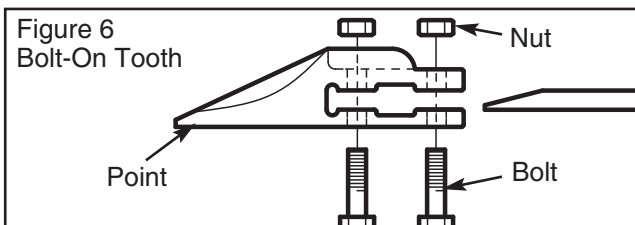
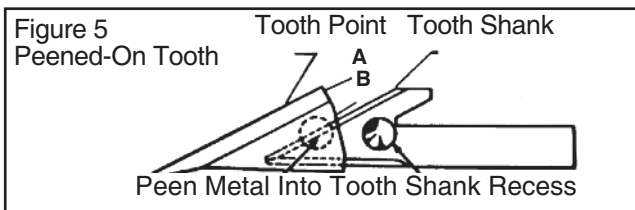
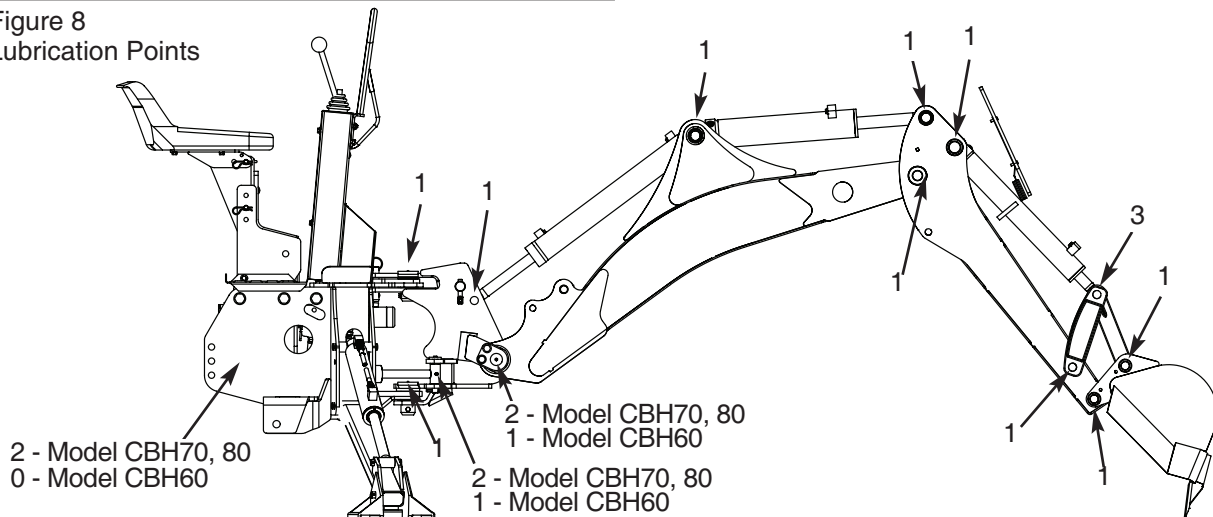


Figure 8
Lubrication Points



Tightening Nuts and Bolts

Periodically, check to be sure all bolts and nuts are tight. See torque chart, page 51.

Check all pivot pins for cotter pins, washers and retainers; if missing, replace.

LUBRICATION

IMPORTANT: Avoid excessive greasing. Dirt collects on exposed grease and increases wear greatly. After greasing, wipe off excessive grease from fittings.

Economical and efficient operation of the backhoe is dependent upon regular and proper lubrication of all moving parts with a quality lubricant.

All parts provided with grease fittings should be lubricated with a good quality chassis lube type grease. If any grease fittings are missing, replace them immediately. Clean all fittings thoroughly before using grease gun.

Lubricate all grease fittings at least twice daily, once at the beginning of operation and again approximately halfway through the work day.

Lower stabilizers to the ground and lower boom so bucket rests on the ground as shown in Figures 8. Refer to these illustrations for the location of all grease fittings.

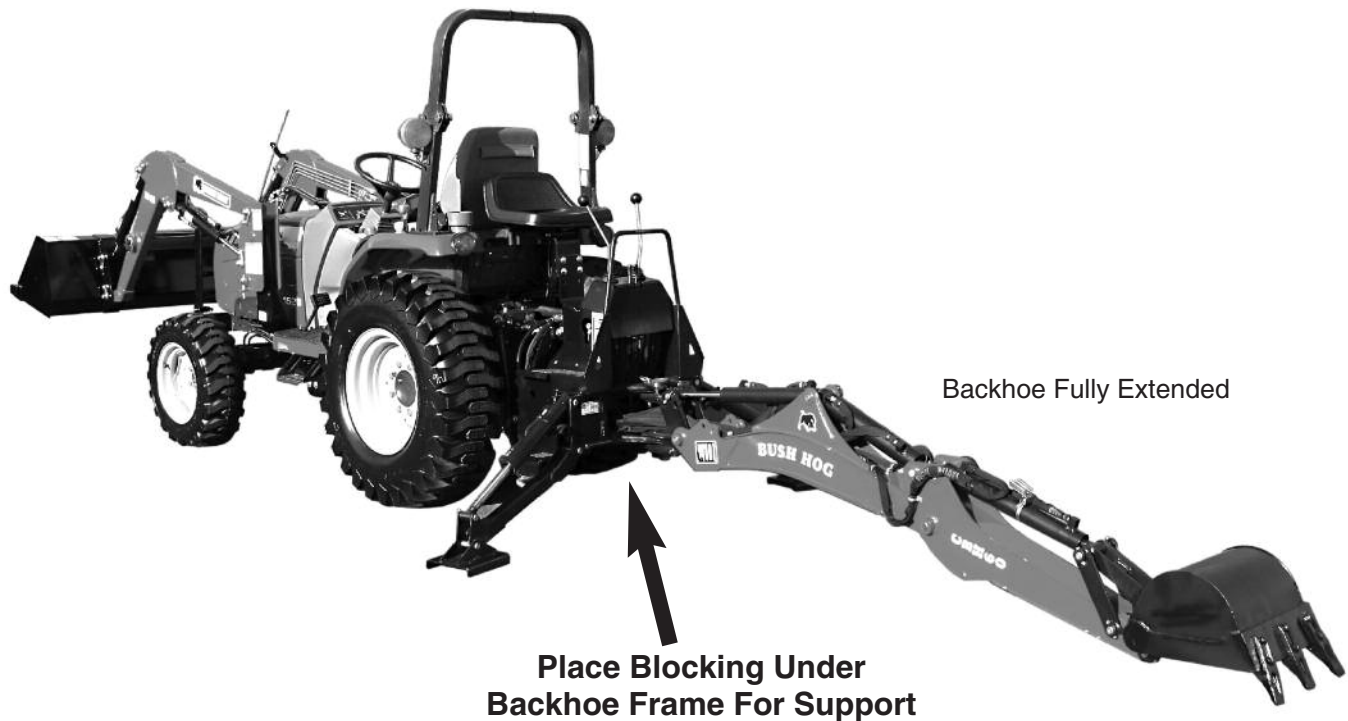
IMPORTANT: Before greasing boom to swing frame pivot (*) shown in Figures 8, raise boom and install transport lock pin shown in Figure 1.

On **Models CBH60, CBH70, CBH80** the following locations should be oiled with SAE30 oil:

- A. All Control Handle Linkages
- B. Seat Bracket Pivot

REMOVAL FROM TRACTOR - STORAGE

Figure 9



The backhoe is self-assisting during the installation and removal procedures. For removal and storage, follow these steps:

1. **Install the swing safety lock pin** as shown in Figures 1 and 3.
 2. Stretch out the boom, dipper stick and bucket as shown in Figure 9. Lower the bucket to the ground so that it rests there solidly.
 3. Raise the backhoe operator's seat to the raised position.
 4. Place suitable blocking under the backhoe frame to support it adequately as indicated in Figure 9.
 5. Detach the backhoe from the tractor mechanically only, not hydraulically at this point. Move the tractor a few inches away from the backhoe.
- Note: To facilitate this procedure, the backhoe can still be hydraulically moved, raised or lowered, to release the connection points of the carrying forces.*
6. Gently lower the backhoe onto the blocking as indicated in Figure 9. Leave the stabilizers outstretched and firmly in contact with the ground for added stability.
 7. The hydraulic system can now be disconnected.

CAUTION

Make sure tractor PTO is disengaged and engine shut off before disconnecting pump or hydraulic lines.

- a. On PTO pump self-contained systems, the pump should be removed from the PTO shaft. The hydraulic system should always remain complete. No hoses or oil lines should be disconnected during correct removal and storage procedure.
- b. On systems that tap into the tractor for hydraulic power, these lines can be disconnected now.

IMPORTANT: Be sure to mark the lines to prevent mix-up during hook-up when the hoe is again attached to the tractor.

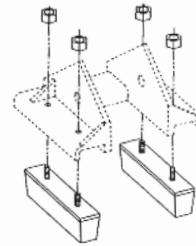
Be sure to cap the ends of the lines to keep clean while in storage.

8. Now slowly drive the tractor forward and away from the backhoe. Be careful that all parts clear each other during separation.
9. Refer to the installation instructions for the attaching kit. This will help with the removal and reattaching.
10. For long term storage, coat exposed lift, swing and stabilizer cylinder rods with grease.
11. Lubricate all grease fittings and oil all handle linkages and seat bracket pivot.

STABILIZER PADS

The backhoe is supplied with flip-over stabilizer feet (Excluding Model CBH60) as standard equipment. They are suitable for most backhoe work and generally are all that is ever required. However, foot pad kits are available as options. These kits bolt to the standard feet and increase the versatility of the backhoe. See Figure 10.

Figure 10



WARNING

Escaping hydraulic / diesel fluid under pressure can penetrate the skin causing serious injury.

Do not use your hand to check for leaks. Use a piece of cardboard or wood to check for leaks.

Stop engine and relieve pressure before connecting or disconnecting lines.

If any liquid is injected into the skin, obtain medical attention immediately or gangrene may result.

Hydraulic Trouble Shooting

The trouble shooting material presented in this section is offered as a guide to diagnosing probable causes and remedies for general operational problems. Match your problem with the typical problem examples given, and note the possible cause and the proper corrective action.

NOTE: When using the following chart, if it is decided that an overhaul of components or pressure adjustments are necessary to correct malfunctioning, it is recommended that your dealer make these repairs. He is equipped to do this work.

TROUBLESHOOTING PROCEDURES

Problem	Cause	Correction
Machine fails to operate when started initially	Low oil supply in reservoir	Fill to proper level.
	No oil supply to machine	Oil is not being diverted from the prime mover hydraulic system. Be sure that the proper controls are actuated on the prime mover.
	Pump not running	Check pump drive to be sure it is engaged.
	Improper hose connection	IMPORTANT: Be sure inlet and return hoses are hooked up correctly. Improper hook-up will result in damage to the backhoe valve.
	Excessive back pressure	Relieve condition. Restriction may be from outlet to reservoir.
	Relief valve setting in backhoe control valve too low or defective	Relief pressure will have to be checked and corrections made. Backhoe system pressure is 2000 PSI (CBH60), 2250 PSI (CBH70), 2550 PSI (CBH 80). Relief valve may need cleaning and or overhauling or entire cartridge must be replaced.
Machine loses power after operating satisfactorily initially	Low oil supply in reservoir	Fill to proper level.
	Loose oil line connections, leaks in line or broken lines	Tighten all hose connections and replace any damaged O-rings at leaking O-ring fittings. Check and replace any damaged hoses and lines.
	Oil is bypassing cylinder piston, scored piston, worn piston packing, or defective piston assembly	Replace or rebuild the cylinder; replace damaged parts.

TROUBLESHOOTING (Continued)

Problem	Cause	Correction
Machine loses power after operating satisfactorily initially	Diverter valve on prime move leaking or bypassing oil internally through valve to reservoir	Diverter valve may need rebuilding or replacing.
	Excessive back pressure	Relieve condition. Restriction may be from outlet to reservoir.
	Relief valve setting in backhoe control valve too low or defective	Relief pressure will have to be checked and corrections made. Backhoe system pressure is 2000 PSI (CBH60), 2250 PSI (CBH70), 2550 PSI (CBH80), Relief valve may need cleaning and overhauling, or entire cartridge must be replaced.
Loss of power in lift or crowd cylinder, but other cylinders function properly	Spool not moved to full stroke	Check spool travel - should be .16" either way or a total of .32" for CBH60. Check spool travel- should be .28" either way, or a total of .56" for CBH70 and CBH80.
	Overload relief valve in the control valve stuck open or malfunctioning	Clean relief carefully but do not disturb its pressure setting as it cannot be field calibrated, or replace cartridge.
	Problems involving the control valve	This valve is a precision device and is not intended for any extensive field adjustment or repair. Field replacement parts are limited to seal kits, cartridges, valve sections and tie rods. Replacement of these parts, the opening of check cavities and certain relief cavities to examine for trapped dirt, or resetting of the main relief valve with the use of good pressure gauge, should be referred to qualified service personnel. Dirt and shreds of packing material are the usual causes of valve malfunction. Be sure the reservoir oil supply is kept clean and only factory supplied packings are used in cylinder repair. Everything must be clean and free of dirt during oil line removal and replacement, and during any cylinder work.
Loss of power in any one cylinder, including lift and crowd	Loose oil line connections, leaks in line or broken lines	Tighten all hose connections and replace any damaged O-rings at leaking O-ring fittings. Check and replace any damaged hoses and lines.
	Restrictions in oil lines	Check and replace any damaged hoses and lines. Check for pinched hoses.
	Oil is bypassing cylinder piston, scored piston, worn piston packing or defective piston assembly	Replace or rebuild the cylinder; replace damaged parts.

Troubleshooting (Continued)

Problem	Cause	Correction
Loss of power in any one cylinder, including lift and crowd (cont.)	Scored piston rods and worn guides in cylinder	Replace or rebuild the cylinder; replace damaged parts.
	Bent piston rod in cylinder	Replace or rebuild the cylinder; replace damaged parts.
	Worn or damaged rod seals on cylinder; external leaks	Repack cylinder. Rebuild cylinder, replacing damaged parts as necessary.
	Spool not moved to full stroke	Check spool travel - should be .16" either way, or a total of .32" for CBH60. Spool travel should be .28" either way, or a total of .56" for CBH70 CBH80.
	Overload relief valve in the control valve stuck open or malfunctioning	Clean relief carefully but do not disturb its pressure setting as it cannot be field calibrated, or replace cartridge.
	Worn control valve	Replace the control valve.
Loss of power in swing cylinders, but other cylinders functioning properly.	Loose oil line connections, leaks in line or broken lines	Tighten all hose connections and replace any damaged O-rings at leaking O-ring fittings. Check and replace any damaged hoses and lines.
	Restrictions in oil lines	Check and replace any damaged hoses and lines. Check for pinched hoses.
	Oil is bypassing cylinder piston, scored piston, worn piston packing, or defective piston assembly	Replace or rebuild the cylinder; replace damaged parts.
	Scored piston rods and worn guides in cylinder	Replace or rebuild the cylinder; replace damaged parts.
	Bent piston rod in cylinder	Replace or rebuild the cylinder; replace damaged parts.
	Worn or damaged rod seals on cylinder; external leaks	Repack cylinder. Rebuild cylinder, replacing damaged parts as necessary.
	Spool not moved to full stroke	Check spool travel - should be .16" either way, or a total of .32" for CBH60. Spool travel should be .28" either way, or a total of .56" for CBH70 CBH80.
	Relief valve setting in backhoe control valve too low or defective	Relief pressure will have to be checked and corrections made. Backhoe system pressure is 2000 PSI (CBH60), 2250 PSI (CBH70), 2550 PSI (CBH80), Relief valve may need cleaning and or overhauling or entire cartridge must be replaced.
	Worn control valve	Replace the control valve.

Troubleshooting (Continued)

Problem	Cause	Correction
Maximum swing action cannot be obtained	Bent piston rod in cylinder	Replace or rebuild the cylinder; replace damaged parts.
	Something jamming the swing linkage	Remove interference.
Slow operation of machine (lack of power) all cylinders	Low oil supply in reservoir	Fill to proper level.
	Oil viscosity too heavy, or oil is not at operating temperature	Use recommended hydraulic fluid. Run machine until oil reaches operating temperature.
	Insufficient pumping	Advance engine throttle.
	Divertor valve on prime mover leaking externally or bypassing oil internally through valve to reservoir.	Divertor valve may need rebuilding or replacing.
	Excessive back pressure	Relieve condition. Restriction may be from outlet to reservoir.
	Relief valve setting in backhoe control valve too low or defective	Relief pressure will have to be checked and corrections made. Backhoe system pressure is 2000 PSI (CBH60), 2250 PSI (CBH70), 2550 PSI (CBH80), Relief valve may need cleaning and overhauling, or entire cartridge must be replaced.
Spongy or jerking action of cylinders and/or noisy operation	Low oil supply in reservoir	Fill to proper level.
	Air in system	Bleed all circuits of air by operating machine at maximum oil flow and through full movements.
	Oil viscosity too heavy, or oil is not at operating temperature	Use recommended hydraulic fluid. Run machine until oil reaches operating temperature.
	Pump not running	Check pump drive to be sure it is engaged.
Lift, crowd or bucket cylinders drop under load when control spools shifted from neutral	Damaged or worn spool seals	Replace spool end seals.
	Problems involving the control valve	<p>This valve is a precision device and is not intended for any extensive field adjustment or repair. Field replacement parts are limited to seal kits, cartridges, valve sections and tie rods.</p> <p>Replacement of these parts, the opening of check cavities and certain relief cavities to examine for trapped dirt, or resetting of the main relief valve with the use of good pressure gauge, should be referred to qualified service personnel.</p>

Troubleshooting (Continued)

Problem	Cause	Correction
Lift, crowd or bucket cylinders drop under load when control spools shifted from neutral	Problems involving the control valve (cont.)	Dirt and shreds of packing material are the usual causes of valve malfunction. Be sure the reservoir oil supply is kept clean and only factory supplied packing packings are used in cylinder repair. Everything must be clean and free of dirt during the oil line removal and replacement, and during any cylinder work.
Load drops or settles	Loose oil line connections, leaks in line or broken lines	Tighten all hose connections and replace any damaged o-rings at leaking o-ring fittings. Check and replace any damaged hoses and lines.
	Oil is bypassing cylinder piston, scored piston, worn piston packing, or defective piston assembly	Replace or rebuild the cylinder; replace damaged parts.
	Worn or damaged rod seals on cylinder; external leaks	Repack cylinder. Rebuild cylinder, replacing damaged parts as necessary.
	Worn control valve	Replace the control valve.
	Damaged or worn spool seals	Replace spool end seals.
Leaky cylinders	Oil is bypassing cylinder piston, scored piston, worn piston packing, or defective piston assembly	Replace or rebuild the cylinder; replace damaged parts.
	Scored piston rods and worn guides in cylinder	Replace or rebuild the cylinder; replace damaged parts.
	Bent piston rod in cylinder	Replace or rebuild the cylinder; replace damaged parts.
	Worn or damaged rod seals on cylinder; external leaks	Repack cylinder. Rebuild cylinder, replacing damaged parts as necessary.
Leaky valve	Loose oil line connections, leaks in line or broken lines	Tighten all hose connections and replace any damaged O-rings at leaking O-ring fittings. Check and replace any damaged hoses and lines.
	Excessive back pressure	Relieve condition. Restriction may be from outlet to reservoir.
	Paint on valve spool; sticking valve spool or scored valve spool	Clean valve spool. Binding is usually caused from an over tightened plug, mounting bolt, fitting in valve body or tie rod bolt. If a plug or fitting in the valve body is leaking, do not overtighten in an effort to stop leak. This will distort body casting and cause spools to bind. (cont.)

Troubleshooting (Continued)

Problem	Cause	Correction
Leaky valve	Paint on valve spool; sticking valve spool or scored valve spool	(cont.) Instead, the plug and fitting should be removed from valve body and be reconnected, using a new O-ring. Do not apply excessive pressure on mounting bolts. The rods for CBH70, CBH80 should be torqued to 14 ft/lbs for 5/16" nuts and 33 ft/lbs for 3/8" nuts. Never force spool.
	Ball in anti-cavitation check valve is stuck or not seating properly.	Clean anti-cavitation valve carefully, being sure that checks move freely and seat properly, or replace cartridge.
Sticky valve spool in	Paint on valve spool; sticking valve spool or scored valve spool	Clean valve spool. Binding is usually caused from an overtightened plug, mounting bolt, fitting in valve body or tie rod bolt. If a plug or fitting in the valve body is leaking, do not overtighten in an effort to stop leak. This will distort body casting and cause spools to bind. Instead, the plug and fitting should be removed from valve body and be reconnected, using a new O-ring. Do not apply excessive pressure on mounting bolts. The rods for CBH70, CBH80 should be torqued to 14 ft/lbs for 5/16" nuts and 33 ft/lbs for 3/8" nuts. Never force spool.
	Bent spool	Replace with new spool section.
	Foreign particles	Clean system and valve.
	Misalignment of control handle linkage	Check linkage for binding condition
Unable to push valve spool in	Paint on valve spool; sticking valve spool or scored valve spool	Clean valve spool. Binding is usually caused from an overtightened plug, mounting bolt, fitting in valve body or tie rod bolt. If a plug or fitting in the valve body is leaking, do not overtighten in an effort to stop leak. This will distort body casting and cause spools to bind. Instead, the plug and fitting should be removed from valve body and be reconnected, using a new O-ring. Do not apply excessive pressure on mounting bolts. The rods for CBH70, CBH80 should be torqued to 14 ft/lbs for 5/16" nuts and 33 ft/lbs for 3/8" nuts. Never force spool.
	Oil leakage past spool seal into spool cap	Remove cap. If it contains oil replace spool seal O-rings. Check O-ring retainer to be sure it is flat. If it has been "belled" check for restriction from outlet to reservoir of valve which would cause excessive back pressure. If supply and return lines are reversed, pressure on low pressure / return side of valve will cause problem. Make sure hoses are connected correctly at bulkhead connection on backhoe.

Troubleshooting (Continued)

Problem	Cause	Correction
Unable to push valve spool in	Bent spool	Replace with new spool section.
	Foreign particles	Clean system and valve.
	Misalignment of control handle linkage	Check linkage for binding condition.
Spring centered spools do not return to neutral	Paint on valve spool; sticking valve spool or scored valve spool	Clean valve spool. Binding is usually caused from an over tightened plug, mounting bolt, fitting in valve body or tie rod bolt. If a plug or fitting in the valve body is leaking, do not overtighten in an effort to stop leak. This will distort body casting and cause spools to bind. Instead, the plug and fitting should be removed from valve body and be reconnected, using a new O-ring. Do not apply excessive pressure on mounting bolts. The rods for CBH70, CBH80 should be torqued to 14 ft/lbs for 5/16" nuts and 33 ft/lbs for 3/8"nuts. Never force spool.
	Oil leakage past spool seal into spool cap	Remove cap. If it contains oil replace spool seal O-rings. Check O-ring retainer to be sure it is flat. If it has been "belled" check for restriction from outlet to reservoir of valve which would cause excessive back pressure. If supply and return lines are reversed, pressure on low pressure / return side of valve will cause problem. Make sure hoses are connected correctly at bulkhead connection on backhoe.
	Broken return springs	Replace springs.
	Bent spool	Replace with new spool section.
	Foreign particles	Clean system and valve.
	Misalignment of control handle linkage	Check linkage for binding condition.

MODEL CBH 60 MONOBLOCK VALVE REPAIR - DISASSEMBLY

Replacing Spools Seals:

Note: For the purpose of these instructions we will consider the control handle side of the valve as the FRONT, and the opposite side as the BACK.

1. Remove control valve from the backhoe.
2. Thoroughly clean the exterior of the valve before beginning disassembly procedures.
3. At the BACK of the valve remove all bonnet assembly parts which are connected to the spool. Keep parts in the order of disassembly. See each valve section parts breakdown for the parts involved in the make-up of the bonnet assembly.

IMPORTANT: DO NOT remove the spool from the valve. The seals can be replaced externally. Prevent spools from turning or moving by inserting a screw drive through the clevis slot, or by running a rod through the pin hole and using the rod as a handle.

DO NOT hold the spool with a wrench. This will destroy the finish.

4. At the BACK of the valve, remove seal retainer, back-up washer, and spool O-ring seal, or retaining sleeve, bonnet O-ring seal and spool O-ring.
5. Thoroughly clean counter bores.

6. Install new seals:

A. Spring-Centered Bonnet Assembly Only:

Lightly oil new O-ring seal. Slide seal over valve spool and insert weal in counter bore. Replace back-up washer and seal retainer.

B. Float Bonnet Assembly Only:

Lightly oil new O-rings. Install O-rings into spacer. Slide spacer with O-rings over valve spool being careful to orient as shown in boom valve section breakdown.

7. At the BACK of the valve replace bonnet assembly parts, reversing the order in which they were disassembled in step 3. Use 6 - 8 ft. lbs. Torque to tighten assembly screw on spring centered bonnet assembly.

8. At the FRONT of the valve remove all parts connected to the spool (handle, linkage, etc.).

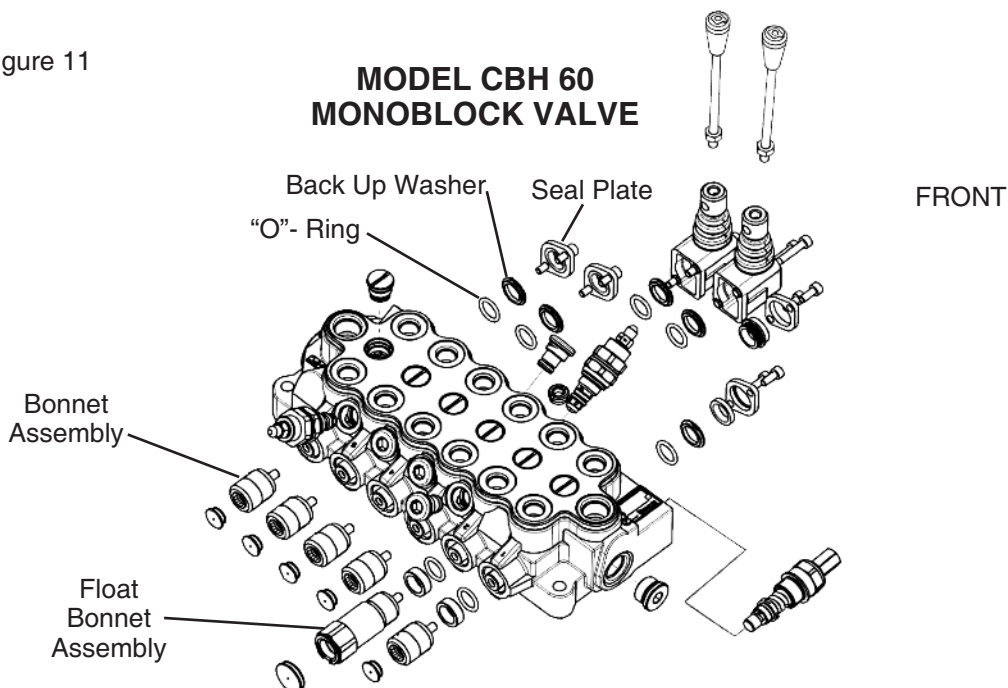
9. At the FRONT of the valve remove seal plate retainer, back-up washer and spool O-ring seal.

10. Thoroughly clean counter bore.

11. Lightly oil new O-ring seal. Slide O-ring seal over valve spool and insert in seal counter bore. Replace back-up washer and seal plate retainer.

12. Reattach all parts connected to the spool (handle, linkage, etc.)

Figure 11



MODEL CBH 70, CBH 80

VALVE REPAIR - DISASSEMBLY

Replace Center Section Assemblies:

Note: For the purpose of these instructions we will consider the section containing the INLET PORT as the left side of the valve.

NOTE: If it is decided that an overhaul of components or pressure adjustments are necessary to correct malfunctioning, it is recommended that your dealer make these repairs. He is equipped to do this work.

1. Remove control valve from the backhoe.
2. Thoroughly clean the exterior of the valve before beginning disassembly procedures.
3. Since the valve will be assembled in the same order, each section should be marked numerically so that they can be reassembled in the same sequence.
4. Mount the valve vertically in a vise to facilitate disassembly and assembly.
5. Remove the three tie rod nuts from the right end section, using a thin-wall socket. Tools required for basic valve disassembly and reassembly include 1/2" and 9/16" open or box end wrenches and a torque wrench with thin wall sockets.
6. Valve sections can now be removed by sliding the sections along the tie rods.
7. Lay out valve components on a clean, flat working surface. The inlet assembly will include an O-ring, and the spool section(s) include an O-ring, a load check poppet and a load check spring.
8. Assemble tie rod nuts to one end of each tie rod with one or two threads showing. Insert tie rods through tie rod holes of inlet (larger tie rod at top). Lay inlet on end with tie rods up, place O-ring into position.
9. Place first spool section (O-ring side up) on inlet section, position O-ring and insert load check poppet (nose down) and spring (behind poppet) into loader check cavity. Repeat this procedure for each spool section; the load check springs are compressed by the following sections during assembly.
10. Position end section on last spool section and hand tighten tie rod nuts. The end section does not have O-ring grooves.
11. Position valve assembly with the mounting pads

of the end sections on a flat surface. To obtain proper alignment of end sections relative to the spool sections apply downward pressure to the end sections; snug tie rod nuts to about 10 ft. lbs.

Finally torque the two 1/2" nuts to 14 ft. lbs.; finally torque the 9/16" nut to 33 ft. lbs. Check for proper spool movement.

12. As required, install auxiliary valves and plugs and torque to proper specifications.

Replacing Spools Seals:

Note: For the purpose of these instructions we will consider the control handle side of the valve as the FRONT, and the opposite side as the BACK.

1. Remove control valve from the backhoe.
2. Thoroughly clean the exterior of the valve before beginning disassembly procedures.
3. At the BACK of the valve remove all bonnet assembly parts which are connected to the spool. Keep parts in the order of disassembly. See each valve section parts breakdown for the parts involved in the make-up of the bonnet assembly.

IMPORTANT: DO NOT remove the spool from the valve. The seals can be replaced externally. Prevent spools from turning or moving by inserting a screw driver through the clevis slot, or by running a rod through the pin hole and using the rod as a handle.

DO NOT hold the spool with a wrench. This will destroy the finish.

4. At the BACK of the valve, remove seal retainer, back-up washer, and spool O-ring seal, or retaining sleeve, bonnet O-ring seal and spool O-ring.

5. Thoroughly clean counter bores.

6. Install new seals:

A. Spring-Centered Bonnet Assembly Only:

Lightly oil new O-ring seal. Slide O-ring over valve spool and insert in seal counter bore. Replace back-up washer and seal retainer.

B. Float Bonnet Assembly Only:

Lightly oil new O-rings. Install O-rings into spacer. Slide spacer with O-rings over spool being careful to orient as shown in boom valve section breakdown.

7. At the BACK of the valve replace bonnet assembly parts, reversing the order in which they were disassembled in step 3. Use 6 - 8 ft. lbs torque to tighten assembly screw on spring centered bonnet assem-

8. At the FRONT of the valve remove all parts connected to the spool (handle, linkage, etc.).

9. At the FRONT of the valve remove seal plate retainer, back-up washer and spool O-ring seal.

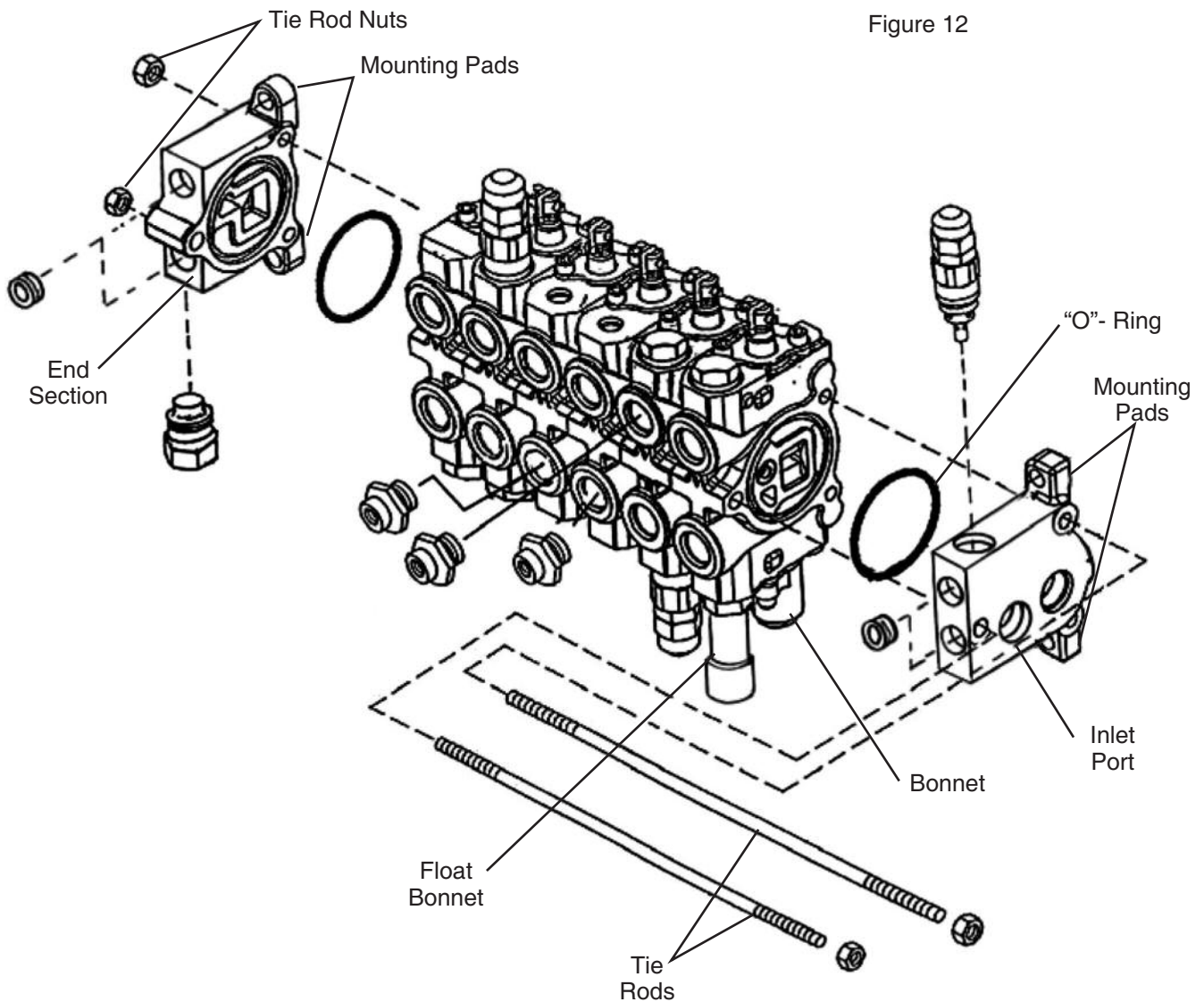
10. Thoroughly clean counter bore.

11. Lightly oil new O-ring seal. Slide O-ring seal over valve spool and insert in seal counter bore. Replace back-up washer, and seal plate retainer.

12. Reattach all parts connected to the spool (handle, linkage, etc.).

MODEL CBH 70, CBH 80 VALVE

Figure 12



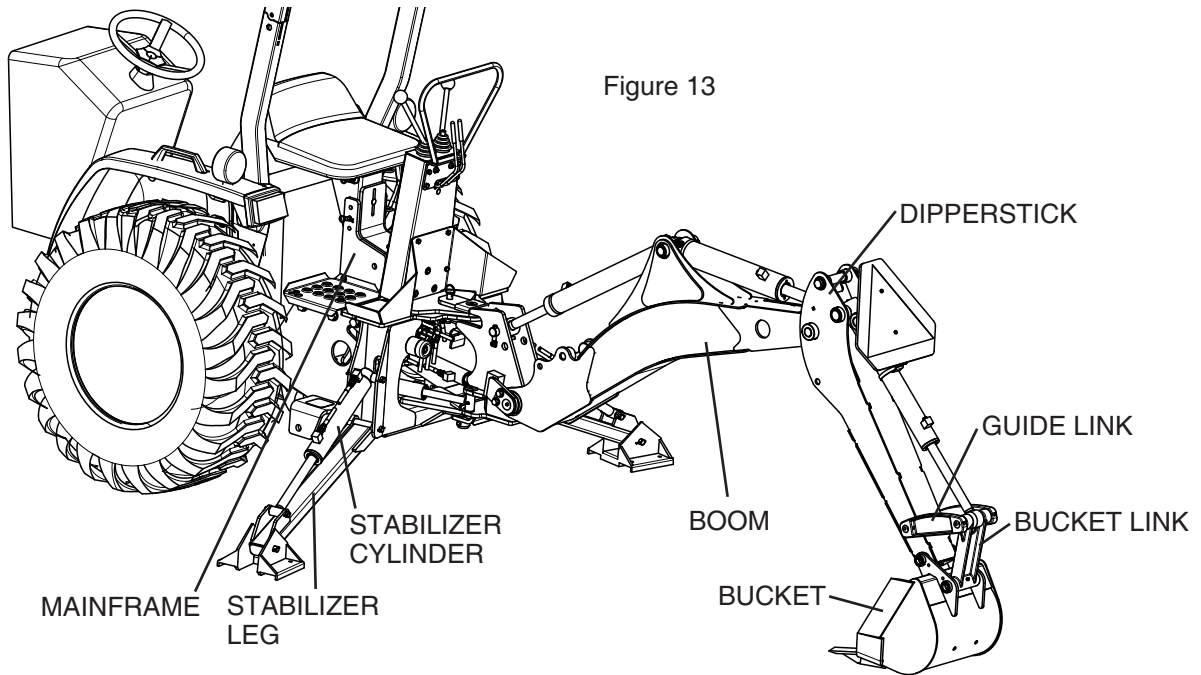


Figure 13

ASSEMBLY - CBH 60, CBH 70, CBH 80

The backhoe has been partially disassembled and strapped to a skid for shipping purposes. Initial installation on the tractor will require a hoist or other device capable of safely lifting the entire backhoe from the skid. After the initial installation is complete, the backhoe can serve as its own erecting hoist, by lowering stabilizers and bucket to the ground. Additional lifting devices will not be required for normal removal and reattaching.

IMPORTANT: Tighten all hardware to torque requirements specified in torque chart.

1. Remove the stabilizer assemblies and any miscellaneous items which have been fastened to the skid and arrange conveniently.

Reposition stabilizer cylinders from their shipping configuration by assembling them into the mainframe, using pins and hardware provided. Be sure cylinder ports are pointed upward and hoses are routed above the cylinder to mainframe pivot pin connection.

⚠ CAUTION

DO NOT cut any strapping that fastens the backhoe mainframe and swing frame to the skid base at this time.

2. Support boom and dipperstick with hoist and remove boom transport lock pin. Lower boom and manually extend dipperstick until it rests on ground. Move control handle to "BOOM DOWN" position as required to aid movement.

⚠ CAUTION

Be sure hoist being used is suitable, has sufficient capacity and is in the proper position. Do not allow anyone under a backhoe member supported by hoist.

Model CBH 60

3. Remove plastic bag containing bucket pins from backhoe. Attach bucket to dipperstick using one pin, bolt, lock nuts, and shims as needed to take up gap between dipperstick and bucket.

Model CBH 70

3. Remove plastic bag containing bucket pins from backhoe. Attach bucket to dipperstick using one pivot pin, two 5/16 NF x 7/8" bolts, lock nuts, pin retainers and washers as needed to take up gap under pin retainers. Place shims between dipperstick and bucket as needed to take up gap.

Model CBH 80

3. Remove plastic bag containing bucket pins from backhoe. Attach bucket to dipperstick using one pin, two bolts, nuts, lockwashers, pin retainers and washers as needed to take up gap under pin retainers. Place shims between dipperstick and bucket as needed to take up gap.

4. Attach bucket link to bucket, using same hardware as listed from step #3.

5. Reposition hoist to backhoe to prevent tipping. Remove all remaining strapping and attach stabilizers to mainframe using pins and hardware assembled to backhoe.

6. Attach stabilizer cylinders to stabilizers using pins and hardware assembled to stabilizers.

7. Using caution to prevent tipping, raise mainframe with hoist to a height of approximately 13" and remove skid. Block mainframe and swing frame securely.

8. Follow the Attaching Kit Assembly Instructions to mount the backhoe to the tractor. Check the installation carefully and make sure that all members are correctly installed and securely fastened.

MOUNTING KITS AND OPTIONAL KITS ASSEMBLY

3-POINT HITCH LINKAGE FOR CBH 60 & CBH 70

General Description

Mounting and hydraulic kits do not include hoses to connect the backhoe to the tractor hydraulic system. Additional hydraulic components, hoses, and/or kits will be required to complete the hook-up to the tractor hydraulic system. Refer to the "Hydraulic Hook-up" section for further information. PTO pump kits are available as options.

Mounting Backhoe to Tractor

The Bush Hog backhoe can be mounted to the power source using four different attaching kits.

1. To an agricultural tractor's 3-point hitch linkage using the 3-point hitch kit: The 3-point hitch kit is the same regardless of tractor model and the instructions for attaching the kit to the backhoe are included below. .

2 To an agricultural tractor using a subframe kit specifically offered for the tractor model and backhoe being mounted: The subframe kit instructions differ with each tractor/backhoe combination and come included with the individual subframe kit.

4. To an agricultural tractor using a 4-point kit specifically offered for the tractor model and backhoe being mounted: The 4-point kit instructions differ with each tractor/backhoe combination and come included with the individual 4-point mount kit.

3-Point Hitch Linkage

The backhoe is mounted on the tractor lower link arms and an adjustable upper link is supplied to replace the tractor upper link. A set of stabilizer arms is included. They bolt from the adjustable upper link to the backhoe mainframe, locking the hoe rigidly in one position.

IMPORTANT: *Tractor lower links must be kept free of lifting forces at all times after installation of the attaching kit by keeping tractor quadrant lever in the lowered position.*

NOTE: *If the 3-Point Kit is to be used with a PTO Pump Kit, the Reservoir Tank and its fittings should be installed before proceeding with the 3-Point Kit installation - Model CBH 70 and CBH80 only.*



Model CBH60 Backhoe

ATTACHING KIT INSTRUCTIONS 3-POINT HITCH LINKAGE & HYDRAULIC HOOK- UP TO TRACTOR HYDRAULIC SYSTEMS

General Description

Mounting and hydraulics kits do not include hoses which connect the backhoe control valve to the tractor hydraulic system. Additional hydraulic components, hoses, and / or kits will be required to complete hook-up to the tractor hydraulic system. Refer to the Hydraulic Hook-up section for further information.

The backhoe is mounted on the tractor lower link arms and an adjustable upper link is supplied to replace the tractor upper link. A set of stabilizer arms is included. They bolt from the adjustable upper link to the backhoe mainframe, locking the hoe rigidly in one position.

IMPORTANT: Tractor lower links must be kept free of lifting forces at all times after installation of the attaching kit, by keeping tractor quadrant lever in the lowered position.

ASSEMBLY

IMPORTANT: Tighten all hardware to the torque requirements specified in the torque chart.

WARNING!

To prevent bodily injury, do not operate backhoe unless Lower Link Weldments (28, 29) are properly installed and adjusted. Failure to do so may result in backhoe being thrust upward, crushing operator against cab or ROPS.

1. Use hoist to raise the backhoe mainframe so that the boom pivot pin is approximately 12" off the ground.
2. Attach Right Hand and Left Hand Lower Link Mount Weldments (21, 22) and Seat Upper Link Weldment (23) to backhoe Mainframe Weldment using eight 5/8NF x 2" Bolts (3), Hardened Washers (15) and Nuts (10). Do not tighten hardware at this time.
3. Install Right and Left Hand Floor Pans (24, 25) to Seat Upper link Weldment (23) using four 3/8NC x 1" Carriage Bolts (1), Lockwashers (12), and Nuts (8).

4. Install Seat Assembly from base backhoe to Seat Upper Weldment (23) using hardware provided with base backhoe, consisting of four 1/2NC x 1-3/4" Carriage Bolts, Lockwashers, and Nuts.
5. Tighten and torque all hardware installed.
6. Back tractor close to the backhoe. Connect tractor lower link arms to lower link mounts using two L-pins (20), two Cotter Pins (17), and two Wire Form Cotter Pins (18).

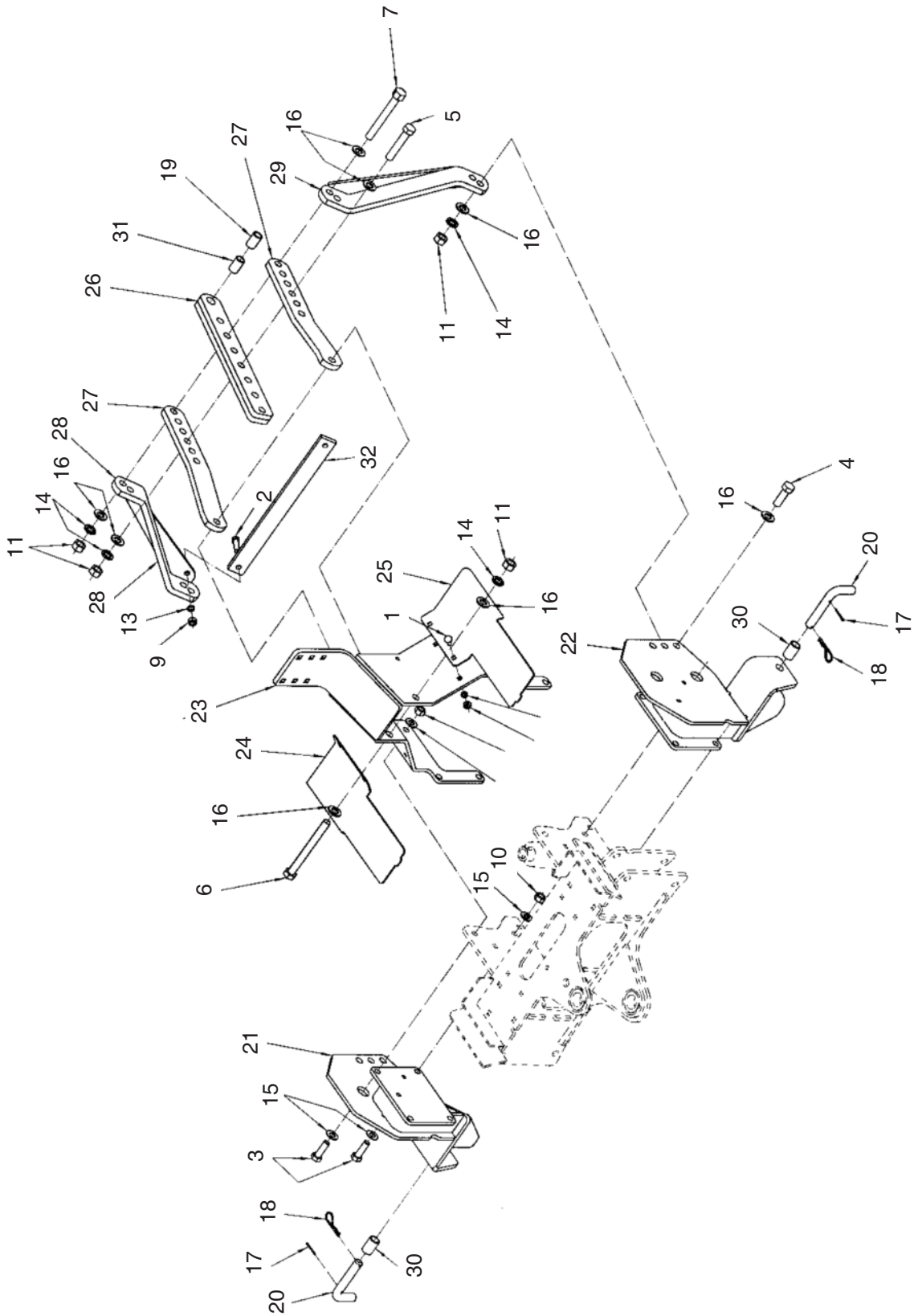
NOTE: If tractor has a Category II hitch, install two Bushings (30) in lower link arms.

7. Attach Upper Braces (27) to backhoe with 3/4NF x 7-1/2 Bolt (6), Lockwasher (14), Washers (16) and Nut (11). Do not tighten hardware at this time.
8. Install Bushing (19) or Bushing (31) in the hole of the Upper Bar (26) that most closely matches the diameter of the tractor upper link pin. No bushing is necessary for Category II tractors.
9. Secure Upper Bar (26) between Upper Braces (27) using 3/4NF x 4" Bolt (5), Washers (16), Lockwasher (14) and Nut (11). Use hoist to raise or lower backhoe slightly until a hole in the Upper Bar aligns with a hole in the Upper Braces.
10. Attach RH Lower Link Weldment (28) and LH Lower Link Weldment (29) to backhoe mainframe using 3/4NF x 2-1/4" Bolt (4), Washers (16), Lockwasher (14), and Nut (11).
11. Align RH and LH Link Weldment (28, 29) with a hole in the Upper Bar/Brace assembly, as close to the tractor as possible. Use 3/4NF x 5-1/2" Bolt (7), Washers (16), Lockwasher (14), and Nut (11). You may need to return to step 6 and readjust upward or downward the bolt connection. You may also need to switch the Right and Left Hand Link weldments on the backhoe to obtain proper clearances with tractor components.
12. Remove backhoe from the tractor.
13. Install Connector Plate (32) to RH and LH Lower Link Weldments (28, 29) using 1/2NF x 1-3/4" bolt (2), Lockwasher (13), and Nut (9).
14. Tighten all hardware at this time. Check your installation very carefully to be sure all members are correctly installed and securely fastened.
15. Connect hoses from the backhoe control valve to the tractor hydraulic system as described in "Hydraulic Hook-Up" section, prior to remounting the backhoe onto the tractor.

Model CBH60 Backhoe

ATTACHING KIT INSTRUCTIONS 3-POINT HITCH LINKAGE

Figure 14



MODEL CBH70 BACKHOE ATTACHING KIT INSTRUCTIONS 3-POINT HITCH LINKAGE & HYDRAULIC HOOK-UP TO TRACTOR HYDRAULIC SYSTEMS.

General Description

Mounting and hydraulics kits do not include hoses which connect the backhoe control valve to the tractor hydraulic system. Additional hydraulic components, hoses and/or kits will be required to complete the hook-up to the tractor hydraulic system. Refer to the Hydraulic Hook-up section for further information. Pumps and reservoir kits are available as options.

The backhoe is mounted on the tractor lower link arms and an adjustable upper link is supplied to replace the tractor upper link. A set of stabilizer arms is included. They bolt from the adjustable upper link to the backhoe mainframe, locking the hoe rigidly in one position.

IMPORTANT: Tractor lower links must be kept free of lifting forces at all times after installation of the attaching kit, by keeping tractor quadrant lever in the lowered position.

IMPORTANT: If the 3-Point Kit is to be used with a PTO & Reservoir Kit, the Reservoir Tank and its fittings should be installed before proceeding with the 3-Point installation.

ASSEMBLY

IMPORTANT: Tighten all hardware to the requirements specified in the torque chart.

WARNING

To prevent bodily injury, do not operate backhoe unless Lower Link Weldments (17, 18) are properly installed and adjusted. Failure to do so may result in backhoe being thrust upward, crushing operator against cab or ROPS.

1. Use hoist to raise the backhoe mainframe so that the boom pivot pin is approximately 14" off the ground.
2. Back tractor close to the backhoe. Connect tractor lower link arms to lower link mounts using two L-pins (14), two Cotter Pins (11), and two Wire Form Cotter Pins (12).

NOTE: If tractor has a Category II hitch, install two Bushings (15) in lower link arms.

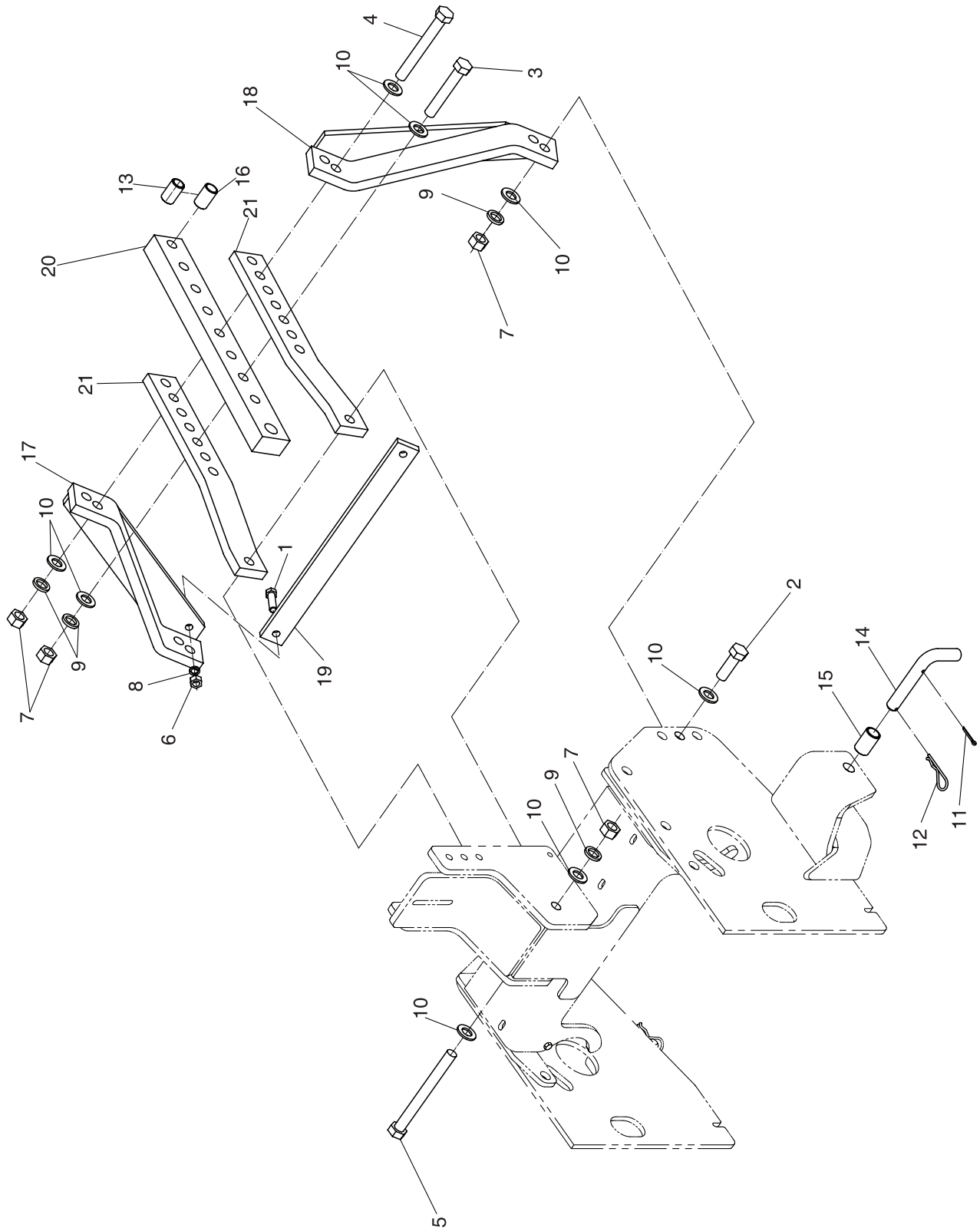
3. Attach Upper Braces (21), to backhoe with 3/4 x 7-1/2" Bolt (50), Lockwasher (9), Flat Washers (10) and Nut (7). Do not tighten hardware at this time.

4. Install Bushing (13) or Bushing (16) in the Upper Bar (20) that most closely matches the diameter of the tractor upper link pin. No bushing is necessary for Category II tractors.
5. Secure Upper Bar (20) between Upper Braces (21) using 3/4 x 4-1/2" Bolt (3), Flat Washers (10), Lockwasher (9) and Nut (7). Use hoist to raise or lower backhoe slightly until a hole in the upper bar aligns with a hole in the upper braces.
6. Attach RH Lower Link Weldment (17) and LH Lower Link Weldment (18) to backhoe mainframe using 3/4 x 2-1/4" Bolt (2), Flat Washer (10), Lockwasher (9), and Nut (7).
7. Align RH and LH Link Weldment (17, 18) with the upper bar/brace assembly, as close to the tractor as possible. Use 3/4 x 6" Bolt (4), Flat Washer (10), Lockwasher (9), and Nut (7). You may need to return to Step 6 and readjust upward or downward the bolt connection.
8. Remove backhoe from the tractor.
9. Install connector plate (19) to RH and LH Lower Link Weldments (17, 18) using 1/2 x 1-3/4" Bolt (1), Lockwasher (8) and Nut (6).
10. Tighten all hardware at this time. Check your installation very carefully to be sure all members are correctly installed and securely fastened.
11. If using optional PTO Pump and Reservoir Kit proceed to that section prior to remounting the backhoe onto the tractor.
12. Connect hoses from the backhoe control valve to the tractor hydraulic system as described in "Hydraulic Hook-Up" section, prior to remounting the backhoe onto the tractor.

MODEL CBH70 BACKHOE

ATTACHING KIT INSTRUCTIONS 3-POINT HITCH LINKAGE

Figure 15



MODEL CBH80 BACKHOE ATTACHING KIT INSTRUCTIONS 3-POINT HITCH LINKAGE & HYDRAULIC HOOK- UP TO TRACTOR HYDRAULIC SYSTEMS

General Description

Mounting and hydraulic kits do not include hoses which connect the backhoe control valve to the tractor hydraulic system. Additional hydraulic components, hoses and /or kits will be required to complete the hook-up to the tractor hydraulic system. Refer to the Hydraulic Hook-up section for further information. Pumps and reservoir kits are available as options.

The backhoe is mounted on the tractor lower link arms and an adjustable upper link is supplied to replace the tractor upper link. A set of stabilizer arms is included. They bolt from the adjustable upper link to the backhoe mainframe, locking the hoe rigidly in one position.

IMPORTANT: Tractor lower links must be kept free of lifting forces at all times after installation of the attaching kit, by keeping tractor quadrant lever in the lowered position.

IMPORTANT: If the 3-Point Kit is to be used with a PTO & Reservoir Kit, the Reservoir Tank and it's fittings should be installed before proceeding with the 3-Point installation.

ASSEMBLY

IMPORTANT: Tighten all hardware to the requirements specified in the torque chart.

WARNING

To prevent bodily injury, do not operate backhoe unless Lower Link Weldments (19, 20) are properly installed and adjusted. Failure to do so may result in backhoe being thrust upward, crushing operator against cab or ROPS.

1. Use hoist to raise the backhoe mainframe so that the boom pivot pin is approximately 16" off the ground.
2. Back tractor close to the backhoe. Connect tractor lower link arms to lower link mounts using two L-pins (14), two Cotter Pins (11), and two Wire Form Cotter Pins (12).

NOTE: If tractor has a category II hitch, install two Bushings (15) in lower link arms.

3. Attach Upper Braces (18), to backhoe with 3/4 x 7-1/2" Bolt (5), Lockwasher (9), Flat Washers (10) and Nut (7). Do not tighten hardware at this time.

4. Install Bushing (13) or Bushing (16) in hole of the Upper Bar (17) that most closely matches the diameter of the tractor upper link pin. No bushing is necessary for Category II tractors.
5. Secure Upper Bar (17) between Upper Braces (18) using 3/4 x 4-1/2" Bolt (3), Flat Washers (10), Lockwasher (9) and nut (7). Use hoist to raise or lower backhoe slightly until a hole in the upper bar aligns with a hole in the upper braces.
6. Attach RH Lower Link Weldment (19) and LH Lower Link Weldment (20) to backhoe mainframe using 3/4 x 2-1/2" Bolt (2), Flat Washer (10), Lockwasher (9), and Nut (7).
7. Align RH and LH Link Weldment (19, 20) with a hole in the upper bar/brace assembly, as close to the tractor as possible. Use 3/4 x 6" Bolt (4), Flat Washer (10), Lockwasher (9), and Nut (7). You may need to return to Step 6 and readjust upward or downward the bolt connection.
8. Remove backhoe from the tractor.
9. Install connector plate (21) to RH and LH Lower Link Weldments (19, 20) using 1/2 x 1-3/4" Bolt (1), Lockwasher (8), and Nut (6).
10. Tighten all hardware at this time. Check your installation very carefully to be sure all members are correctly installed and securely fastened.
11. If using optional PTO Pump and reservoir Kit proceed to that section prior to remounting the backhoe onto the tractor.
12. Connect hoses from the backhoe control valve to the tractor hydraulic system as described in "Hydraulic Hook-Up" section, prior to remounting the backhoe onto the tractor.

PTO PUMP & RESERVOIR KIT INSTALLATION

General Description CBH70 4.5 GPM Pump

The PTO Pump Kit consists of those parts required to power the backhoe from the tractor's PTO shaft. It includes the PTO pump and adapter, reservoir, filtration system, hydraulic hoses, and fittings. In addition, it includes a pump plate which attaches to the tractor's drawbar and keeps the pump from turning with the PTO shaft.

NOTE: The speed of the backhoe operation increases as PTO speed increases.

Assembly

IMPORTANT - When installing hoses and fittings always use thread sealant in permanent connections. Do not use thread sealant in union ends of adapters. Do not over tighten fittings - they can split or expand, causing leakage.

IMPORTANT - Have a suitable hoist available before proceeding with loader setup.

1. Assemble Filler Tube (27) and Breather Cap with Dipstick (28) to Reservoir Tank (20).

2. Assemble Reservoir Tank (20) to backhoe mainframe using 5/16" NF Locknuts (3).

3. Preassembly of Filter Base and Element (22):

Remove Filter Element from base to ease installation. Assemble Pipe Nipple (5) to "Inlet" port on filter base (22).

Assemble 90 Degree Adapter Union (13) to "Outlet" port on filter base (22).

4. Assemble Filter Base (22) to Reservoir Tank (20) using 90 Degree Pipe Elbow (7) and 45 Degree Pipe Elbow (6).

NOTE - Change Filter Element (29) every time oil is changed.

5. Assemble Suction Hose (12) to straight Barbed Fitting (17) using Hose Clamp (18). Connect assembly to 90 Degree Adapter Union (13) installed earlier on the Filter Base and Element (22).

6. Install 90 Degree Adapter Union (25) top upper port on Reservoir Tank (20). Install 90 Degree Adapter Union (24) to Return Line "Check Valve" in upper steel oil line located under Left Hand Foot Pad area of the backhoe mainframe. Complete return line connection to Reservoir Tank using Steel Oil Line (23).

7. Reinstall Filter Element to the Filter Base.

8. Assemble Pump Plate (26) to Pump (11) using two 3/8" NF x 1-3/4" Bolts (1), Lockwashers (8), and Nuts (4). Pump Plate may have to be readjusted later when installed on tractor PTO Shaft. The Plate may need to be turned 180 degrees to provide proper engagement with tractor drawbar and have adequate clearances.

9. Slide PTO Adapter (19) onto pump shaft, allowing 1/8" clearance between Adapter (19) in place using two Setscrews (9) and 5/16" NC Nuts (2).

10. Assemble Suction Hose (12) to Pump (11) using Reducer Fitting (15) and 90 Degree Barbed Fitting (16) Secure Hose using Hose Clamp.

11. Connect 36" Hydraulic Hose (21) to Inlet Line steel oil line located under Left Hand Foot Pad area of the backhoe mainframe. Complete connection to Pump using 90 Adapter Union (14).

IMPORTANT - If hoses are connected incorrectly, serious damage to the backhoe valve will result.

12. NOTE: Initial fill up of Reservoir Tank will require 4-1/2 gallons of fluid. Fill Reservoir with recommended fluid to correct level; refer to Service Section in the Backhoe Manual.

13. Install the backhoe to the tractor at this time following the installation procedure in the Attaching Section of the manual.

14. Slide complete Pump assembly onto the PTO shaft of the tractor, making sure locking collar on PTO Adapter has locked into position.

IMPORTANT - Make sure kinks DO NOT develop in any of the lines. Suction hose can be shortened to prevent this problem.

 **CAUTION**
DO NOT REMOVE THE TRACTOR PTO SHIELD!

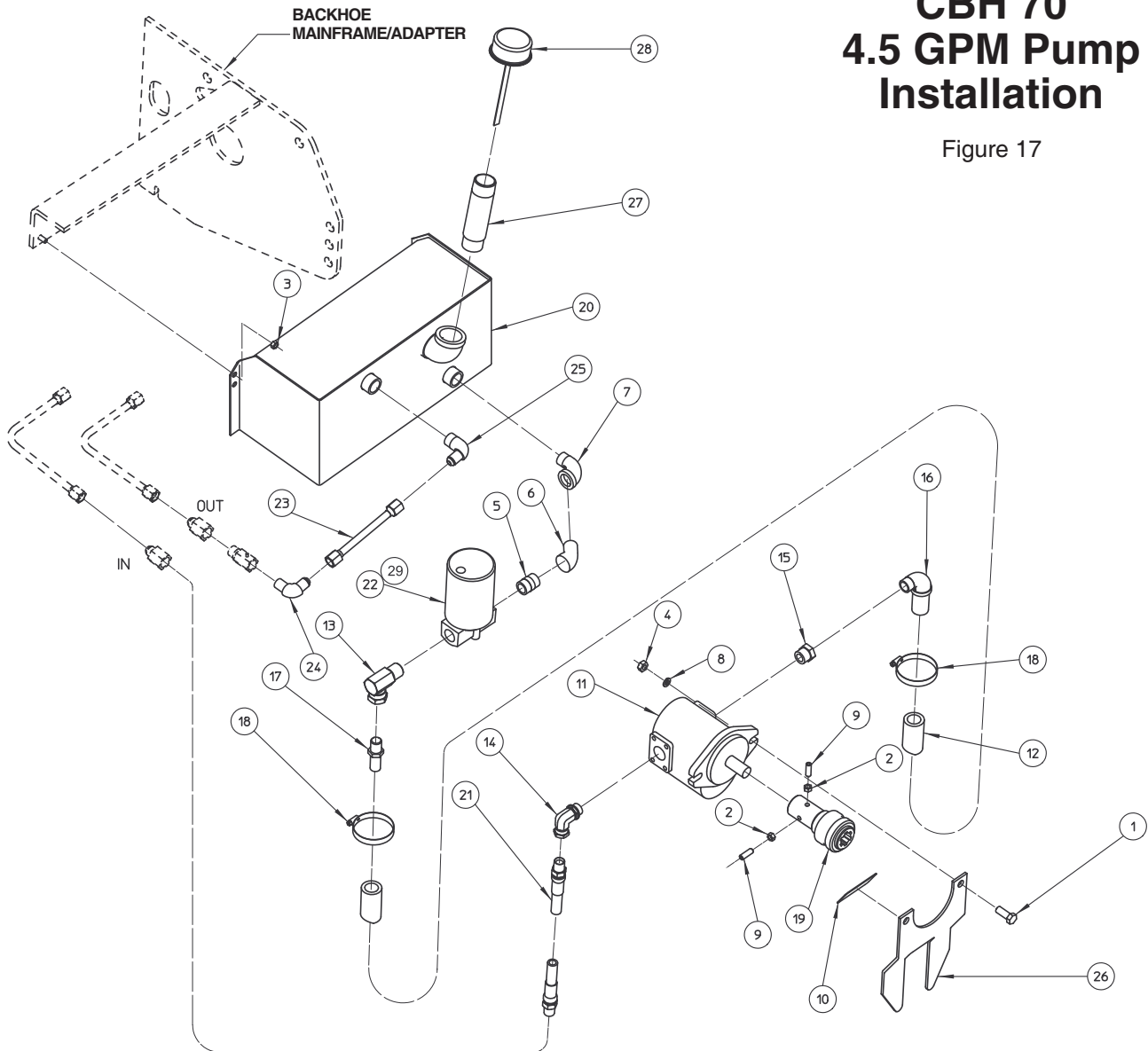
15. Pump Plate (26) may be adjusted (turned front to back or bottom to top) on Pump (11) for proper fit-up to tractor drawbar or three point mount if necessary. The optimum position is to have the plate pointing down and over the drawbar with the offset towards the tractor. Refer to illustration.

An alternate position for the Pump Plate may have it pointed upwards and retained by the Upper Bar of the Three Point Mount Kit. Whatever position is selected, it is important that the pump be restrained from rotating. Refer to illustration.

IMPORTANT - When installing the backhoe, do not let the Swing Cylinders interfere with the backhoe pump, or have the hydraulic lines become entangled in any part of the backhoe or tractor. Make sure both Pressure and Suction Lines are free from kinks or twists to reduce back pressure and excessive heat build-up.

CBH 70 4.5 GPM Pump Installation

Figure 17



General Description CBH 80

6.1 GPM Pump

The PTO Pump Kit consists of those parts required to power the backhoe from the tractor's PTO shaft. It includes the PTO pump and adapter, reservoir, filtration system, hydraulic hoses, and fittings. In addition, it includes a pump plate which attaches to the tractor's drawbar and keeps the pump from turning the PTO shaft.

NOTE: The speed of the backhoe operation increases as PTO speed increases.

Assembly

IMPORTANT - When installing hoses and fittings always use thread sealant in permanent connections. Do not use thread sealant in union ends of adapters. Do not over tighten fittings - they can split or expand, causing leakage.

IMPORTANT - Have a suitable hoist available before proceeding with loader setup.

1. Assemble Filler Tube (28) and Breather Cap with Dipstick (29) to Reservoir Tank (20).

2. Assemble Reservoir (20) to backhoe mainframe using 5/16" NF Locknuts (3).

3. Preassembly of filter Base and Element (23):

Remove Filter Element from base to ease installation. Assemble Pipe Nipple (5) to "Inlet" port on filter base (23).

4. Assemble Filter Base (23) to Reservoir Tank (20) using 90 Degree Pipe Elbow (6) and Pipe Nipple (5).

NOTE - Change Filter Element (30) every time oil is changed.

5. Assemble Suction Hose (11) to straight Barbed Fitting (17) using Hose Clamp (18). Connect assembly to 90 Degree Adapter Union (13) installed earlier on the Filter Base and Element (23).

6. Install 90 Degree Adapter Union (26) to upper port on Reservoir Tank (20). Install 90 Degree Adapter Union (25) to Return Line "Check Valve" in upper steel oil line located under Left Hand Foot Pad area of the backhoe mainframe. Complete return line connection to Reservoir Tank using Steel Oil Line (24).

7. Reinstall Filter Element to the Filter Base.

8. Assemble Pump Plate (27) to Pump (22) using two 1/2" NF x 1-3/4" Bolts (1), Lockwashers (8), and Nuts (4). Pump Plate may have to be readjusted later when installed on tractor PTO Shaft. The Plate

may need to be turned 180 degrees to provide proper engagement with tractor drawbar and have adequate clearances.

9. Slide PTO Adapter (19) onto pump shaft, allowing 1/8" clearance between Adapter and pump face. Secure PTO Adapter (19) in place using two Setscrews (9) and 5/16" NC Nuts (2).

10. Assemble Suction Hose (11) to Pump (22) using Reducer Fitting (7), Reducer Fitting (14), and 90 Degree Barbed Fitting (16). Secure Hose using Hose Clamp (18).

11. Connect 36" Hydraulic Hose (21) to Inlet Line steel oil line located under Left Hand Foot Pad area of the backhoe mainframe. Complete connection to Pump using Reducer Fitting (15) and 90 Adapter Union (12).

IMPORTANT - If hoses are connected incorrectly, serious damage to the backhoe will result.

12. NOTE: Initial fill up of the Reservoir Tank will require 4-1/2 gallons of fluid. Fill Reservoir with recommended fluid to correct level; refer to Service Section in the Backhoe Manual.

13. Install the backhoe to the tractor at this time following the installation procedure in the Attaching Section of the manual.

14. Slide complete Pump assembly onto the PTO shaft of the tractor, making sure locking collar on the PTO Adapter has locked into position.

IMPORTANT - Make sure kinks DO NOT develop in any of the lines. Suction hose can be shortened to prevent this problem.



**CAUTION
DO NOT REMOVE THE TRACTOR PTO SHIELD!**

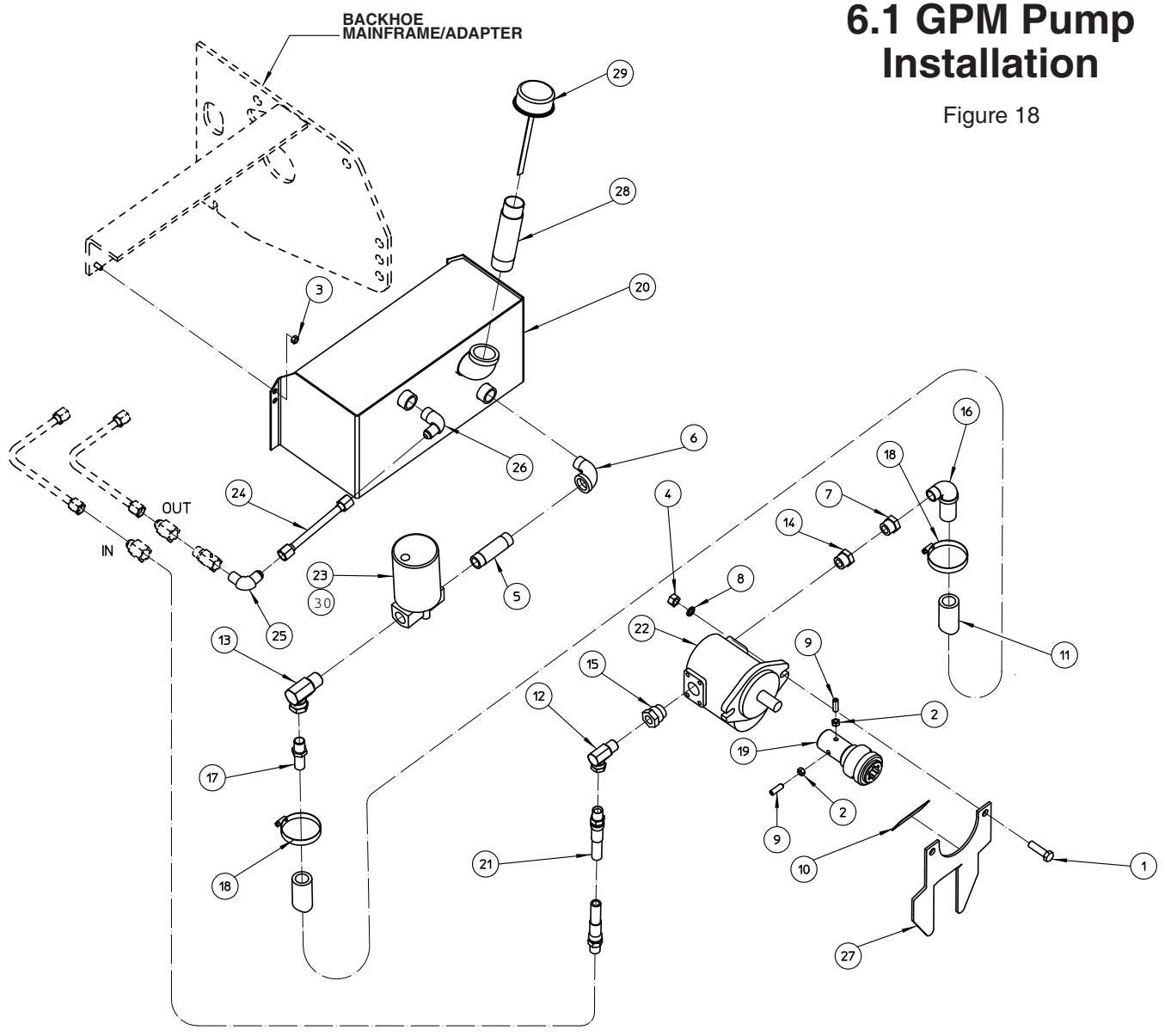
15. Pump Plate (27) may be adjusted (turned front to back or bottom to top) on Pump (22) for proper fit-up to tractor drawbar or three point mount if necessary. The optimum position is to have the plate pointing down and over the drawbar with the offset towards the tractor. Refer to illustration.

An alternate position for the Pump Plate may have it pointed upwards and retained by the Upper Bar of the Three Point Mount Kit. Whatever position is selected, it is important that the pump be restrained from rotating. Refer to illustration.

IMPORTANT - When installing the backhoe, do not let the Swing Cylinders interfere with the backhoe pump, or have the hydraulic lines become entangled in any part of the backhoe or tractor. Make sure both Pressure and Suction Lines are free from kinks or twists to reduce back pressure and excessive heat build-up.

CBH 80 6.1 GPM Pump Installation

Figure 18



1. OPEN-CENTER SYSTEM WITH LOADER VALVE OR OTHER ACCESSORY VALVE CONNECTED TO THE TRACTOR HYDRAULIC SYSTEM

When a loader valve or other accessory valve must be connected to the tractor hydraulic system in addition to the backhoe control valve, a Power Beyond Kit is required. This kit converts the backhoe valve so that pressurized hydraulic oil can be directed to another open-center valve for a loader or other accessory. This allows the backhoe valve and the other valve to be connected to the tractor hydraulic system simultaneously, without the inconvenience of using a flow diverting valve.

Since the Power Beyond Kit is used with open-center tractor hydraulic systems, oil constantly flows from the pump, through the backhoe valve and then to the reservoir. See further in this manual for instructions on proper assembly.

2. CLOSED CENTER SYSTEM: (CBH 60 & CBH 70)

Because a closed -center system requires no flow of oil through the backhoe control valve when the levers are in a neutral position, the CBH 60 & CBH 70 backhoe must not be connected to a closed-center tractor hydraulic system.

IMPORTANT: Do not connect a CBH 60 & CBH 70 backhoe control valve to a closed-center tractor hydraulic system, or serious damage to backhoe valve or tractor hydraulic system may result.

3. OPEN-CENTER SYSTEM WITH RETURN OIL NOT REQUIRED FOR LUBRICATION -Figure 19

The pressure hose (A) should be connected from the pressure port on the backhoe to the pressure

port of the tractor remote couplers or directly to the tractor valve. The return hose (B) should be connected from the tank (return) port on the backhoe to a port on the reservoir, as shown in Figure 19.

IMPORTANT: Never connect the return hose to a tractor remote coupler which can be pressurized. Accidental pressurization can cause serious damage to backhoe valve.

4. OPEN-CENTER SYSTEM WITH RETURN OIL REQUIRED FOR LUBRICATION - Figure 20

On some tractors, the return oil cannot be routed directly to the reservoir because it is required for the lubrication of other functions. Check this characteristic with your dealer. The pressure hose (A) must be connected from the pressure port on the backhoe to the pressure port of the tractor's remote couplers or directly to the tractor valve. The return hose (B) must be connected from the tank (return) port on the backhoe to a surge relief valve as shown in Figure 20.

NOTE: The surge relief valve is not supplied with the backhoe or mounting kit and must be ordered separately to complete this type hydraulic hook-up.

Complete the hydraulic hook-up by connecting the surge relief valve to the return port of tractor remote couplers or directly to the tractor valve, and by connecting a hose from TANK port of the surge relief valve to the tractor reservoir as shown in Figure 20. The surge relief valve is used to protect the backhoe valve from damage caused by accidental pressurization or high back pressure build-up. If this happens, oil will be vented from the TANK port of the surge relief valve to the tractor reservoir to prevent loss of vented oil.

Figure 19

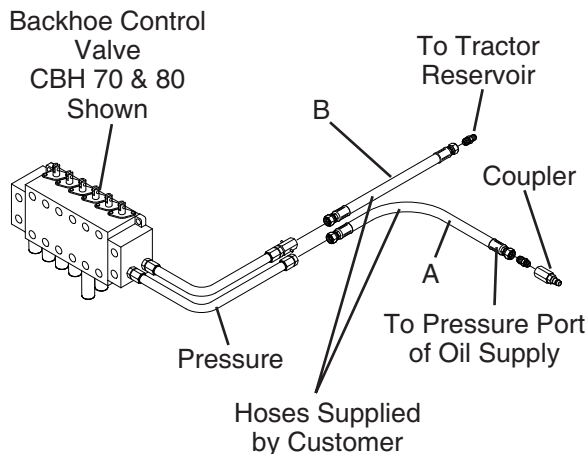
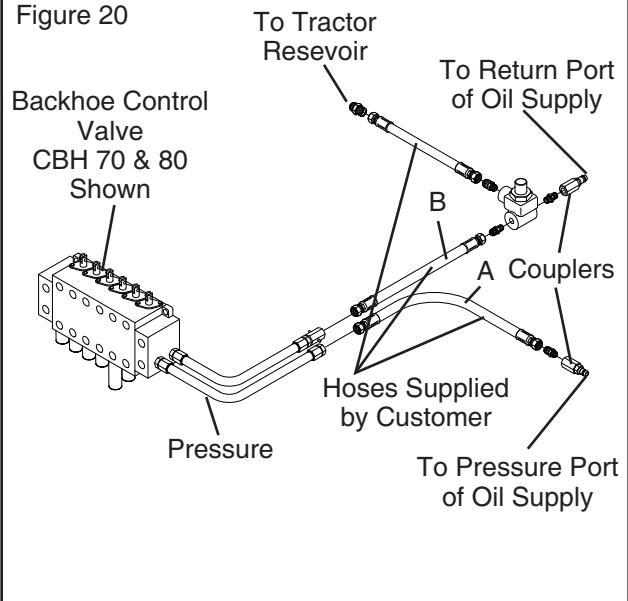


Figure 20



Hydraulic Hook-Up (CBH 80) For Tractors With Closed-Center Hydraulic Systems (Figure 21)

There are two basic types of hydraulic systems, open-center and closed-center. The open-center system constantly pumps oil through the hydraulic cylinder operating valves and returns the oil to the reservoir. The closed-center system does not pump oil until there is a demand for oil from one of the hydraulic cylinders.

In this case, CLOSED-CENTER means that when the operating valves which control the hydraulic cylinders are in the neutral position, there is no flow of oil through the valves. As long as the engine and pump are running, a constant stand-by oil of pressure approximately 2000PSI or more is maintained in the system. Pressure oil is available instantly to go to work when any one of the operating valves is opened.

Because there must be no flow through the backhoe control valve when the levers are in neutral position, the backhoe must be converted for closed-center operation.

Hook-Up Requirements

The hook-up of the CBH 80 Backhoe to the closed-center system requires more than connecting it to the remote couplers. The required devices are:

1. A flow restrictor in the pressure line to keep the speed of the backhoe operation within safe and acceptable limits.
2. The main relief valve in the backhoe control valve must be replaced with plug, to allow tractor system relief to control pressure. System pressure must not

exceed 2800 PSI.

3. A closed-center plug in the backhoe control valve to make it a non-circulating or a demand type system.

4. **A low pressure surge valve in the return line to keep the tractor back pressure surges from damaging the backhoe control valve seals or tractor system.** A surplus flow line from the relief valve carries only the excess surge oil directly back to the tractor hydraulic reservoir so that it bypasses all other functions.

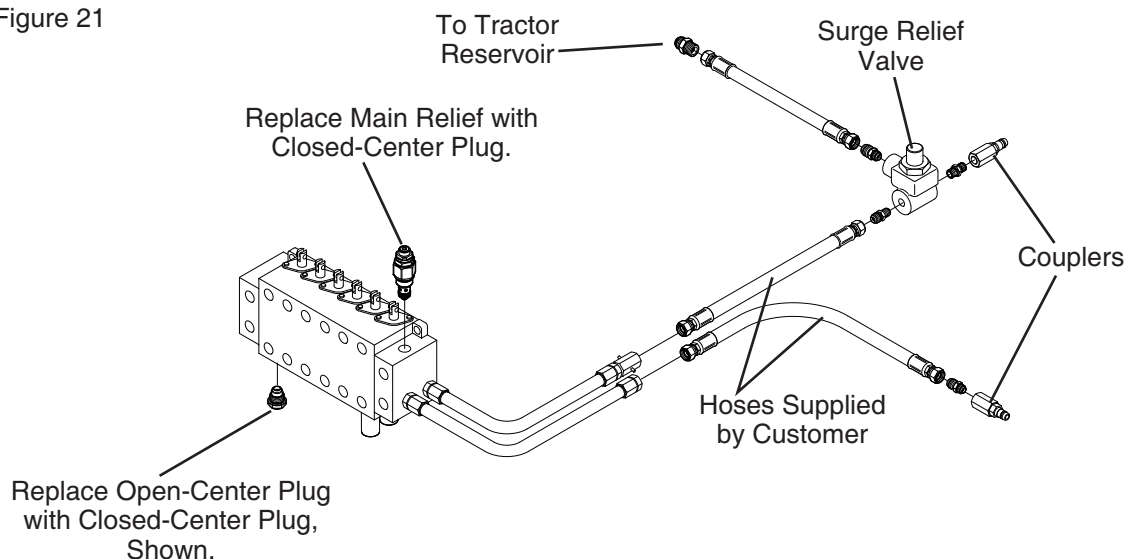
Backhoe Operation

For the most part, a backhoe will function about the same whether it is powered by an open-center or closed-center hydraulic system. However there are some differences which the operator should be aware of when utilizing a closed-Center hydraulic system.

As a backhoe function (lifting, actuating the bucket to fill it, etc.) becomes increasingly difficult and the hydraulic system pressure is rising closer to its maximum setting, there will be a noticeable slow down before stoppage occurs. As the system pressure is approaching maximum, the pump is also beginning to stroke back for less and less fluid delivery. At maximum pressure, the pump is completely destroyed and there is no delivery.

Therefore, when working various backhoe functions at or near maximum ability, a closed center system will give the operator the impression that the backhoe is sluggish and somewhat unresponsive. Learning to ease up slight at the first indication of slow down will permit the backhoe to perform at continuing maximum speed and efficiency.

Figure 21



POWER BEYOND KITS

FOR TRACTORS WITH OPEN-CENTER HYDRAULIC SYSTEMS

General Description

A power beyond application is required to convert a hydraulic valve so that pressurized oil can be directed to another "open center" valve. This allows the backhoe valve and a loader valve, or other accessory, to be connected to the tractor hydraulic system simultaneously, without the inconvenience of using a flow diverting valve.

Since the power beyond application is only required on "open center" hydraulic systems, oil will be constantly flowing from the pump through the backhoe and loader or other accessory valve, and then back to the reservoir. "Open center" refers to this constant flow through the open center of the valves.

The assembly instructions cover two conditions that require a power beyond kit to be ordered from Bush Hog. The first procedure shows the recommended method of connecting a Bush Hog loader with a Bush Hog valve to a Bush Hog backhoe. The second procedure shows the recommended method for connecting a Bush Hog backhoe and a competitive loader or a non Bush Hog valve. The second is also used to operate the backhoe and loader off the backhoe PTO pump kit option. In the first procedure, the power beyond plug is included with the loader valve when the valve is ordered. The second procedure requires the power beyond kit for the backhoe valve be ordered from Bush Hog as a separate item.

The hoses and fittings required in either procedure to connect the two valves together are not supplied. The proper fittings and hose lengths required must be determined for each specific application. The parts must be supplied by the customer.

Tractor Preparation

Stop tractor, lower all attachments to the ground, and relieve pressure in all hydraulic lines by moving all control handles back and forth or side to side several times.

Note: The terms RIGHT and LEFT for all adapter parts are determined from the position of the operator when seated in the operating position on the backhoe.

FIRST PROCEDURE

ASSEMBLY OF A BUSH HOG BACKHOE TO A BUSH HOG LOADER VALVE.

IMPORTANT: Improper hydraulic hook-up can cause serious damage to backhoe control valve or other hydraulic components. Refer to the Bush Hog loader Operator's Manual during this procedure.

When connecting the Bush Hog backhoe valve to a Bush Hog front end loader valve, the input pressure line from the tractor will be connected to the loader valve first. The power beyond pressure line will be connected to the input pressure port of the backhoe valve. In order to properly plumb the system, the loader valve will require converting to a power beyond valve. Refer to the Operator's Manual received with the loader for the proper assembly of the power beyond valve.

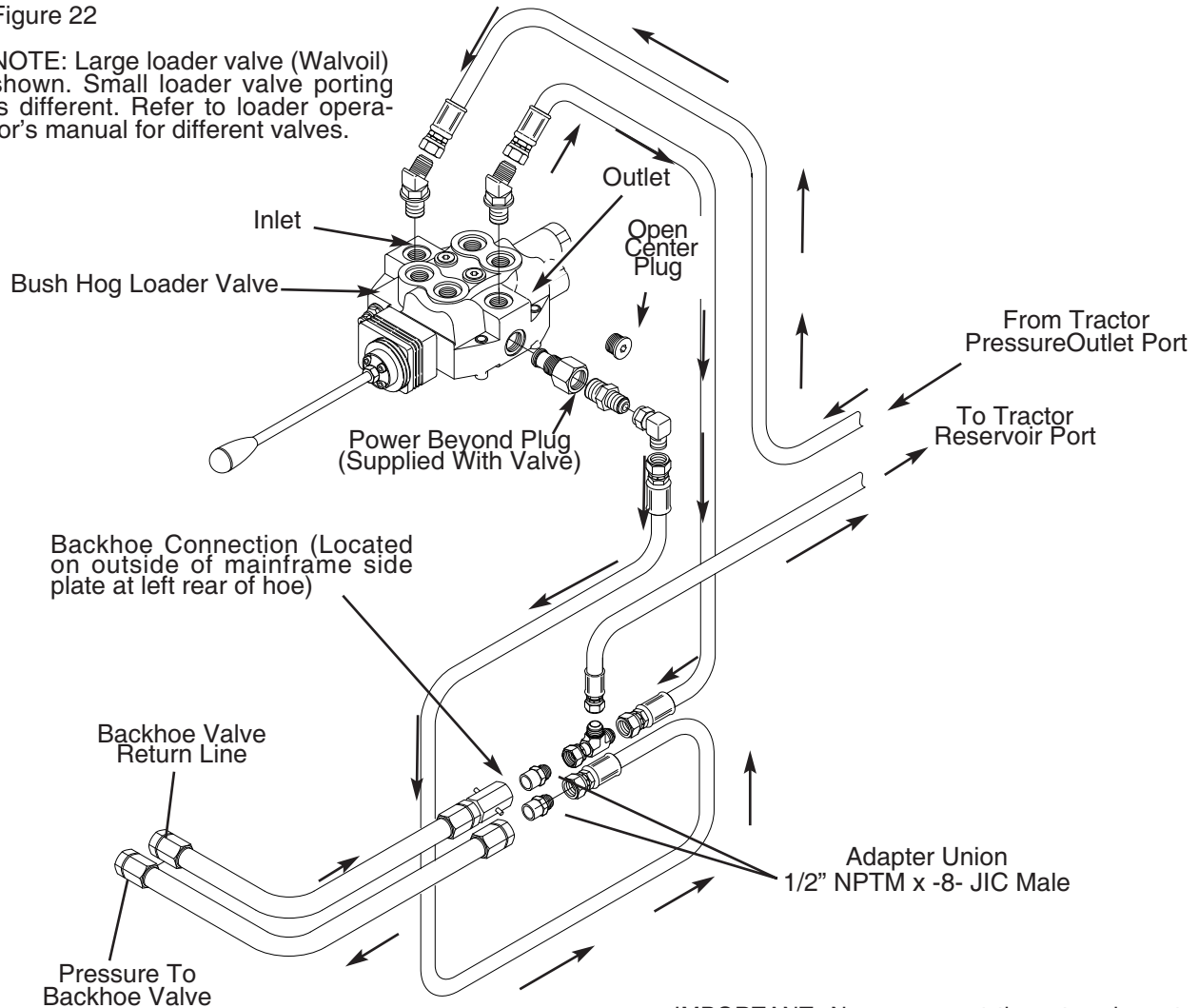
There have been several different valves used on the Bush Hog loader in past years. The fittings requires to convert the Bush Hog loader valve to a power beyond application are included in the loader valve kit. If the fittings (or plugs) cannot be located, they can be obtained from Bush Hog Service Parts. Before attempting to order the plug you must first determine the manufacturer of the loader valve assembled to your loader. This can be determined from the identification plate located on the valve.

1. Install the power beyond plug received with the loader valve into valve cavity as shown in Figure 22 (Page 43). Make sure O-rings on sleeve are positioned properly and are not pinched or damaged.
2. Install a pressure line (supplied by customer) between the tractor pressure "out" port and the pressure inlet port of the loader valve.
3. Install a pressure line (supplied by customer) between the power beyond fitting of the loader valve and the pressure inlet port on the backhoe connection as shown in Figure 22.
4. Complete assembly of "return" hoses as shown in Figure 22. Connect tee fitting to return outlet port on the backhoe connector as shown. Connect return hose from return outlet port of the loader valve to the branch port of the tee fitting. Hoses and tee supplied by customer. Connect a second return hose from the tee fitting directly to a port on the tractor reservoir as shown in Figure 22.

BUSH HOG BACKHOE & BUSH HOG LOADER VALVE

Figure 22

NOTE: Large loader valve (Walvoil) shown. Small loader valve porting is different. Refer to loader operator's manual for different valves.



IMPORTANT: Never connect the return hose to a tractor remote coupler which can be pressurized. Accidental pressurization can cause serious damage to backhoe valve.

SECOND PROCEDURE

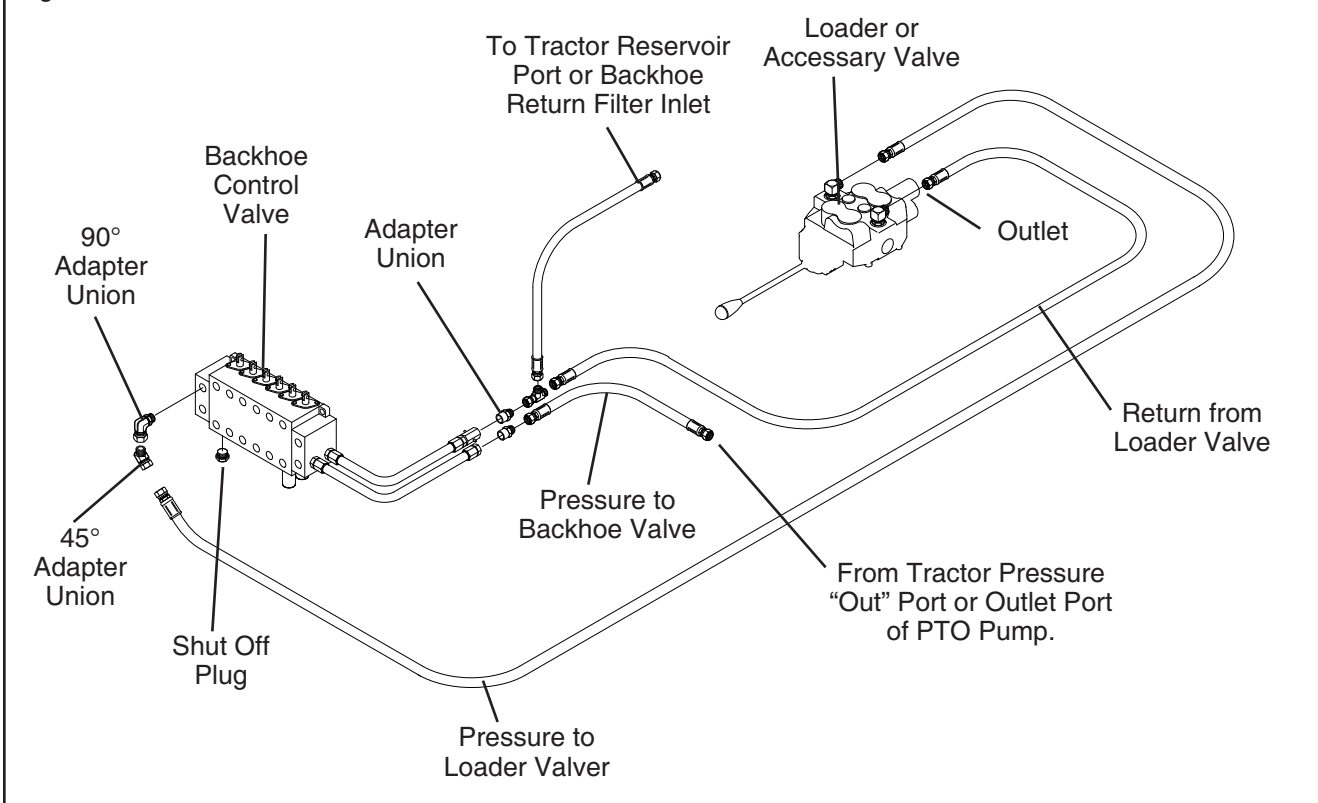
ASSEMBLY OF A BUSH HOG BACKHOE TO A NON BUSH HOG LOADER VALVE - OR - BUSH HOG BACKHOE TO LOADER VALVE USING PTO PUMP KIT OPTION.

IMPORTANT:

- *Improper hydraulic hook-up can cause serious damage to the backhoe control valve, loader valve, tractor valve, and other hydraulic components.*
- *The pressure supply line from the PTO pump must be connected to the pressure inlet port on the backhoe whether using a Bush Hog loader valve or a non - Bush Hog loader valve. Never connect the pressure supply line from the PTO pump to the loader valve pressure inlet port because excessive pressure will build up resulting in damage to the PTO pump.*

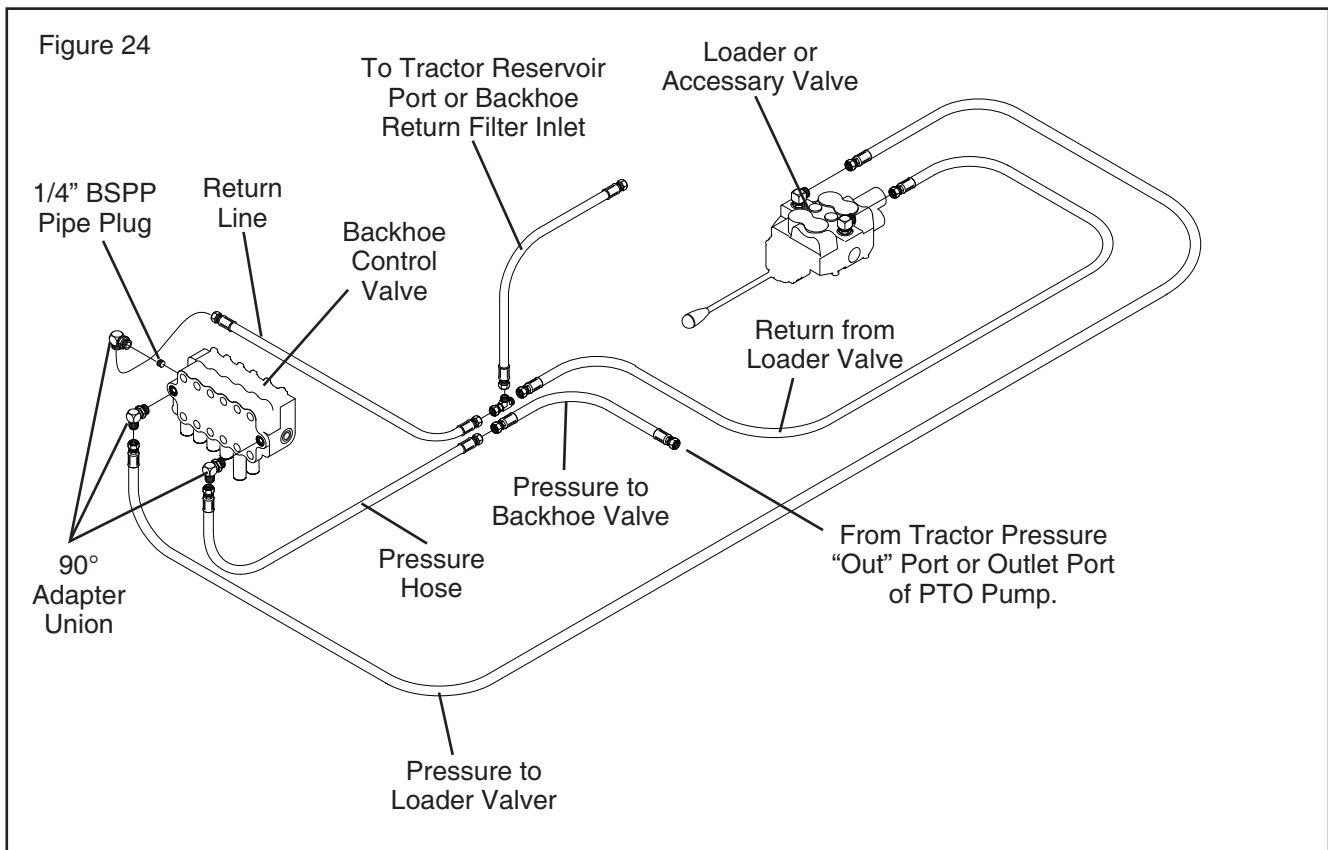
The following instructions are to be used to connect the backhoe valve in line with a loader valve that is not a Bush Hog loader valve. When connecting the Bush Hog backhoe valve to a valve other than one obtained from Bush Hog, the input pressure line from the tractor will be connected to the pressure port on the backhoe first. In order to properly plumb the system, the backhoe valve will require converting to a power beyond valve. The power beyond pressure line from the backhoe valve will be connected to the input pressure port of the loader valve. The power beyond kit for the backhoe being assembled must be ordered as a separate item from Bush Hog.

Figure 23



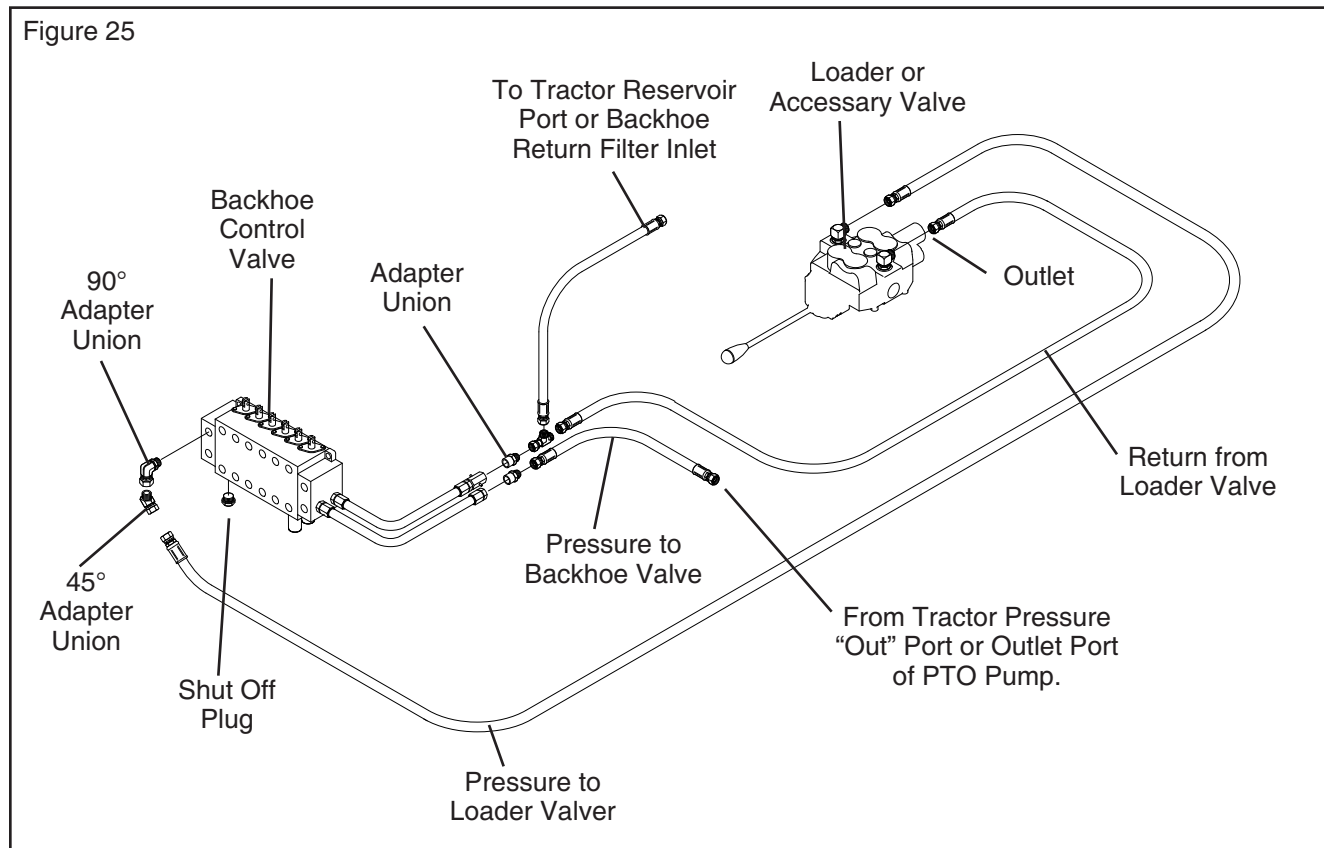
Power Beyond – Model CBH60 - FIGURE 24

1. Remove the cover that encloses the backhoe valve within the control console.
2. Disconnect Return Hose from 90 degree Adapter Union located on right hand side of control valve.
3. Remove 90 degree Adapter Union from control valve.
4. Install 1/4" BSPP Pipe Plug internally into the port opening. Tighten. Reinstall 90 degree Adapter Union into right hand side of control valve.
5. Reconnect Return Hose to 90 degree Adapter Union.
6. Remove Plug from front of valve (Right Hand side).
7. Install 90 degree Adapter Union into right hand side of control valve.
8. Connect hydraulic hose (supplied by customer) to 90 degree Adapter Union. The hydraulic hose should have the same pressure rating as the original pressure hose to the loader or other accessory valve.
9. Connect the other end of the hydraulic hose to the pressure port of the loader or accessory valve using fittings (supplied by customer) as required. Refer to Figure 24.
10. Complete assembly of the backhoe "pressure" and "return" hydraulic hoses and a tee fitting (all supplied by customer) as shown.
11. Complete assembly of the loader or accessory valve "return" hydraulic hose (supplied by customer) to the tee fitting as shown.
12. Reinstall the cover that encloses the backhoe valve within the control console



Power Beyond – Model CBH70 & CBH80 - FIGURE 25

1. Remove Plug from underside of Right Hand Valve End Cover.
2. Install “Shut Off” Plug into the port opening. Torque Plug to 32 ft-lbs.
3. Remove Plug from Upper port on front side of Right Hand Valve End Cover.
4. Install 90 degree Adapter Union into Right Hand End Cover.
5. Assemble 45 degree Adapter Union into 90 degree Adapter Union, directing it rearward.
6. Connect hydraulic hose (supplied by customer) to 45 degree Adapter Union. The hydraulic hose should have the same pressure rating as the original pressure hose to the loader or other accessory valve.
9. Connect the other end of the hydraulic hose to the pressure port of the loader or accessory valve using fittings (supplied by customer) as required. Refer to Figure 25.
10. Complete assembly of the backhoe “pressure” and “return” hydraulic hoses and a tee fitting (all supplied by customer) as shown.
11. Complete assembly of the loader or accessory valve “return” hydraulic hose (supplied by customer) to the tee fitting as shown.



MECHANICAL THUMB INSTRUCTIONS - FIGURE 26

Thumb Operation

The Mechanical Thumb is used for picking up objects and securing them between the thumb and the bucket.

Large objects which can include rocks and logs when grasped, will increase momentum of backhoe as it is swung side to side. Do not make sudden start and stops. Be careful lifting and moving long items such as tree limbs, which will extend beyond the normal backhoe swing arc area.

Improper usage will damage backhoe and/or thumb.

When thumb is not in use it should be placed in the "storage" position. Remove Hitch Pin and slide column assembly to its "shortest" position. Secure using Hitch Pin and Hair Pin Clip. The two remaining holes in the column assembly can be selected when using the thumb assembly.

Do not use Mechanical Thumb:

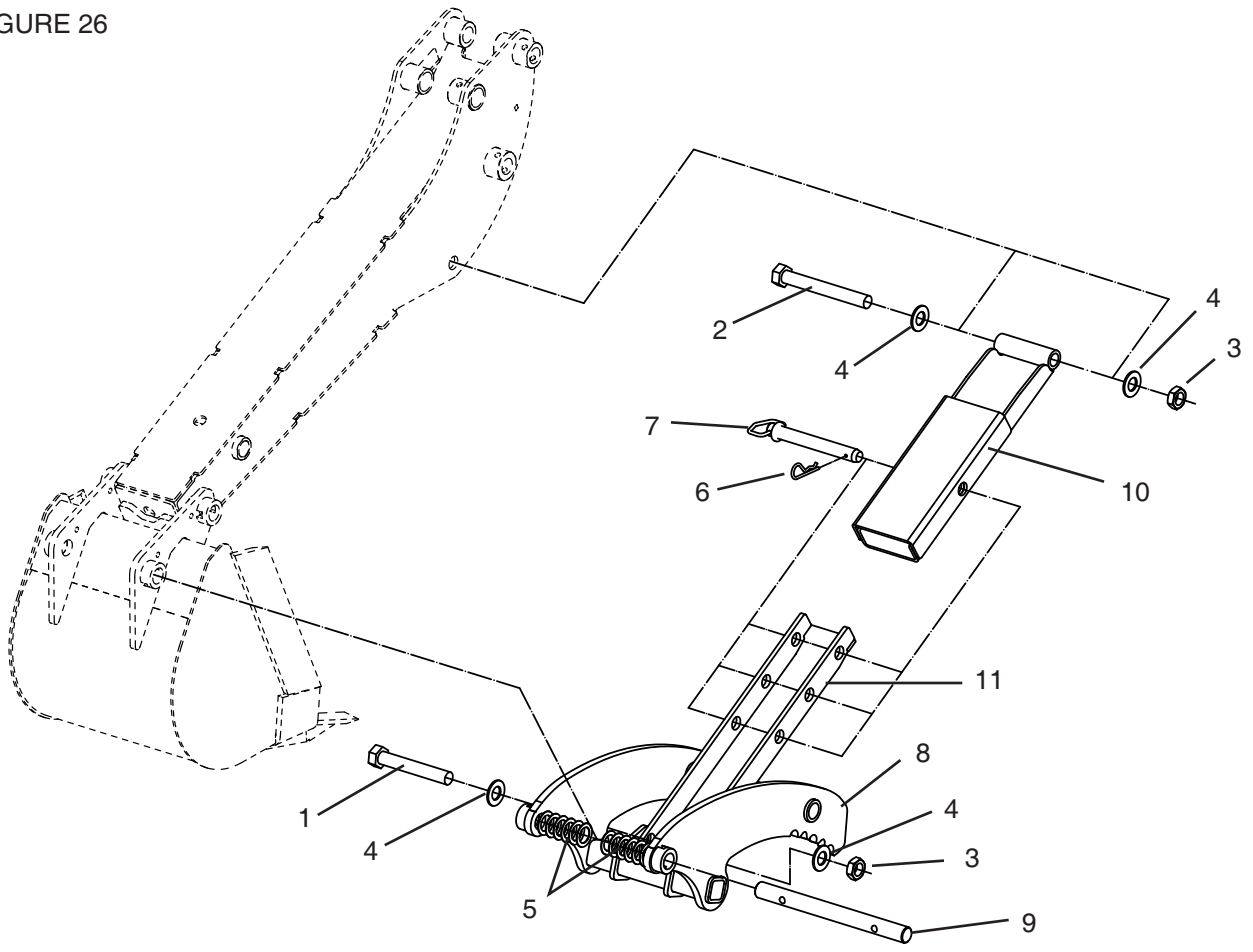
- As a pry bar to loosen objects.
- To push or pull material or objects.
- To move objects from side to side.
- As an area to wrap a chain or rope for lifting purposes.

Installing Thumb to Backhoe

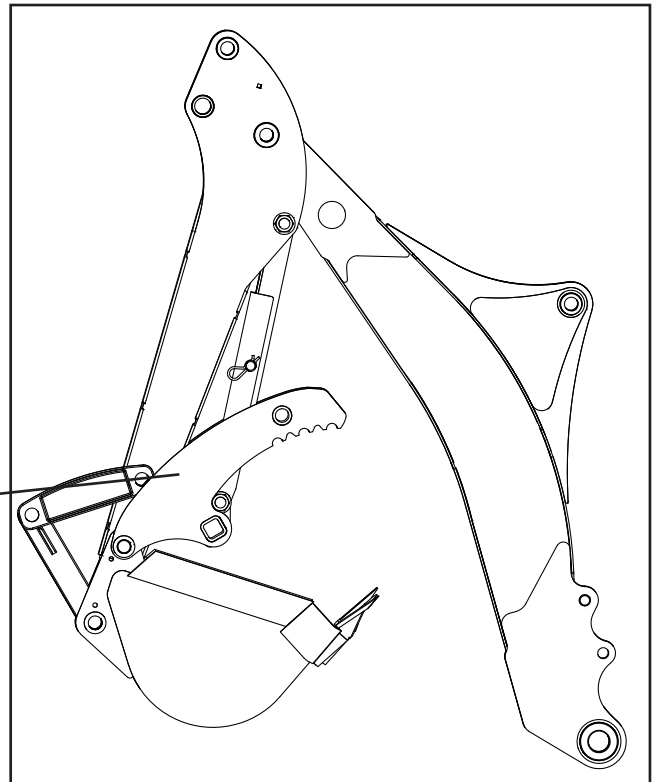
IMPORTANT – Improper hook-up can cause serious damage to backhoe components.

1. Park tractor with loader and backhoe on a level surface.
2. Set Parking Brake. Exit tractor.
3. Remove Boom Lock Pin from backhoe and place in storage location. Enter backhoe.
4. Lower Boom to place backhoe bucket on the ground. Rotate bucket such that the bucket side cutting edges are parallel to the ground.
5. Exit backhoe and turn off the tractor ignition.
6. Remove hardware and pivot pin which secures Bucket to Dipperstick. Discard pivot pin and retain hardware for use in a later step.
7. Assemble Mechanical Thumb (8) over Bucket and secure to backhoe using Pivot Pin (9), Shims (5) as required, and hardware removed earlier.
8. Attach Upper Column Weldment (10) to underside of Dipperstick Weldment using Bolt (2), Flat Washers (4), and Nut (3). Do not over tighten hardware. Upper Column must pivot freely under Dipperstick.
9. Install Lower Column Weldment (11) into Upper Column Weldment (10). Secure Upper Column into lowest of the three holes of the Lower Column using Hitch Pin (7) and Hair Pin Clip (6).
10. Connect Column assembly to Mechanical Thumb (8) using Bolt (1), Flat Washers (4), and Lock Nut (3). Do not over tighten hardware. Column assembly must pivot freely in Mechanical Thumb

FIGURE 26



**MECHANICAL THUMB
ASSEMBLED**



REPOSITION STABILIZER CYLINDERS BEFORE REMOVING BACKHOE FROM SHIPPING PALLET

Cylinder ports must be pointing upward and hoses routed above the cylinder to main-frame pivot pin connection.

Backhoe is shipped palletized from factory. Remove stabilizers and fasteners from pallet. Position stabilizer between mounting lugs and pin into place. Cut plastic ties from rod ends of hydraulic cylinders, swing down and pull rod end out to align with stabilizer mounting lugs. Pin into place with provided fasteners.



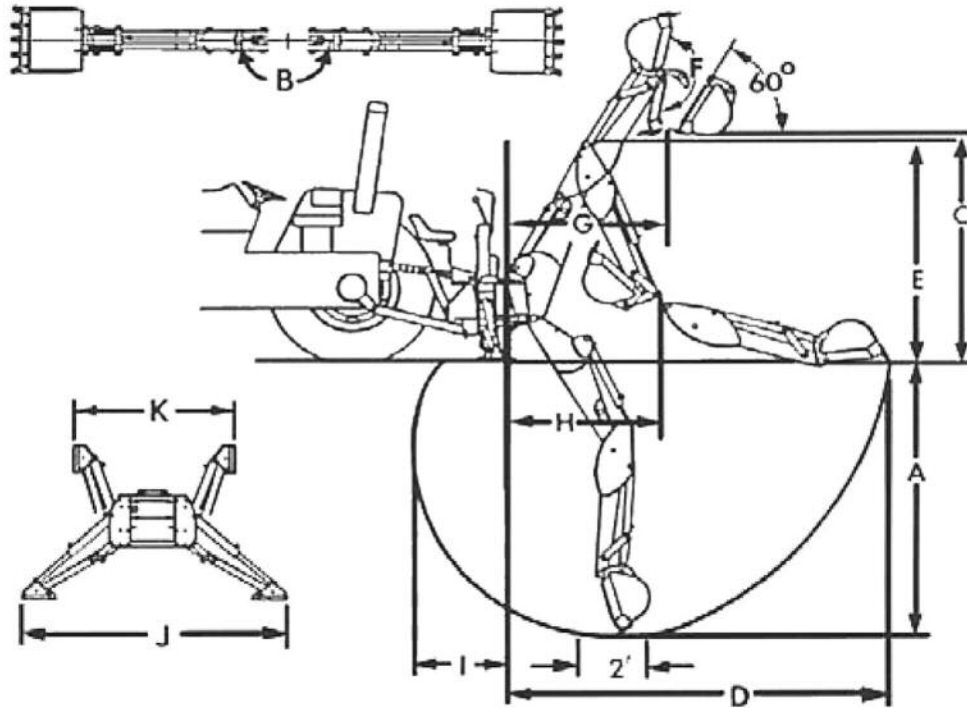
Pinning Stabilizer Into Place



Hydraulic Cylinder Rod

Stabilizer

BACKHOES - DIMENSIONS AND SPECIFICATIONS



SERIES	CBH60 6-1/4 Foot	CBH70 7-1/4 Foot	CBH80 8-1/4 Foot
Maximum Digging Depth	76"	87.5"	99.5"
A. Digging Depth (two foot flat bottom)	74.5"	86.5"	98.5"
B. Swing Arc	150°	180°	180°
C. Loading Height (bucket at 60°)	60"	73.5"	82"
D. Reach from Center Line of Swing Pivot	104"	120"	136"
E. Transport Height (maximum)	66"	82"	90"
F. Bucket Rotation	180°	180°	180°
G. Loading Reach (bucket at 60°)	33"	40"	41"
H. Transport Overhang	37"	48.5"	54.5"
I. Undercut	17"	14"	17.5"
J. Stabilizer Spread, up position	58"	61"	54"
K. Stabilizer Spread, down position	74"	89"	99"
Bucket Cylinder Digging Force	2473 lbs.	3540 lbs.	3860 lbs.
Dipperstick Cylinder Digging Force`	1363 lbs.	2173 lbs.	2505 lbs.
Hydraulic Volume Requirements	3 to 4 GPM	4 to 5 GPM	6 to 8 GPM
Hydraulic Pressure Requirements	2000 psi.	2250 psi.	2550 psi.
Recommended Tractor HP Requirements	15 - 25 HP	45 HP	45 - 95 HP
Shipping Weight (less bucket & pallet)	604 lbs.	920 lbs.	1180 lbs.

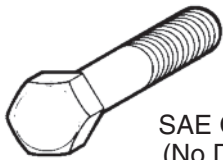
Specifications May Vary Depending on Tractor Model and are Subject to Change Without Notification. Tractors Must Be Equipped with ROPS and Seat belt That Will Provide Better Safety.

TORQUE SPECIFICATIONS

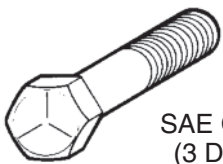
Proper torque for American fasteners used on Bush Hog equipment.
Recommended Torque in Foot Pounds (Newton Meters).*

AMERICAN

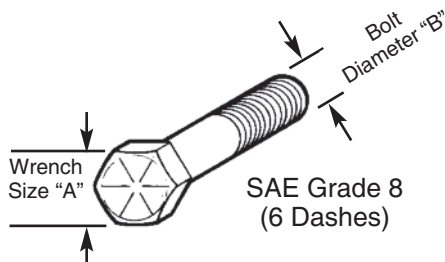
Bolt Head Markings



SAE Grade 2
(No Dashes)



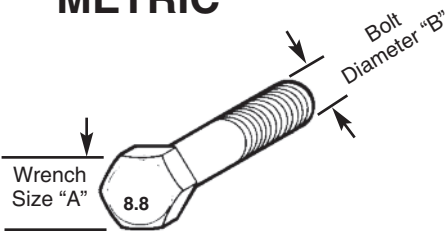
SAE Grade 5
(3 Dashes)



SAE Grade 8
(6 Dashes)

WRENCH SIZE (IN.) "A"	BOLT DIAMETER (IN.) "B" AND THREAD SIZE	SAE GRADE 2	SAE GRADE 5	SAE GRADE 8
7/16	1/4 - 20 UNC	6 (7)	8 (11)	12 (16)
7/16	1/4 - 28 UNF	6 (8)	10 (13)	14 (18)
1/2	5/16 - 18 UNC	11 (15)	17 (23)	25 (33)
1/2	5/16 - 24 UNF	13 (17)	19 (26)	27 (37)
9/16	3/8 - 16 UNC	20 (27)	31 (42)	44 (60)
9/16	3/8 - 24 UNF	23 (31)	35 (47)	49 (66)
5/8	7/16 - 14 UNC	32 (43)	49 (66)	70 (95)
5/8	7/16 - 20 UNF	36 (49)	55 (75)	78 (106)
3/4	1/2 - 13 UNC	49 (66)	76 (103)	106 (144)
3/4	1/2 - 20 UNF	55 (75)	85 (115)	120 (163)
7/8	9/16 - 12 UNC	70 (95)	109 (148)	153 (207)
7/8	9/16 - 18 UNF	79 (107)	122 (165)	172 (233)
15/16	5/8 - 11 UNC	97 (131)	150 (203)	212 (287)
15/16	5/8 - 18 UNF	110 (149)	170 (230)	240 (325)
1-1/8	3/4 - 10 UNC	144 (195)	266 (360)	376 (509)
1-1/8	3/4 - 16 UNF	192 (260)	297 (402)	420 (569)
1-5/16	7/8 - 9 UNC	166 (225)	430 (583)	606 (821)
1-5/16	7/8 - 14 UNF	184 (249)	474 (642)	668 (905)
1-1/2	1 - 8 UNC	250 (339)	644 (873)	909 (1232)
1-1/2	1 - 12 UNF	274 (371)	705 (955)	995 (1348)
1-1/2	1 - 14 UNF	280 (379)	721 (977)	1019 (1381)
1-11/16	1-1/8 - 7 UNC	354 (480)	795 (1077)	1288(1745)
1-11/16	1-1/8 - 12 UNF	397 (538)	890 (1206)	1444 (1957)
1-7/8	1-1/4 - 7 UNC	500 (678)	1120 (1518)	1817 (2462)
1-7/8	1-1/4 - 12 UNF	553 (749)	1241 (1682)	2013 (2728)
2-1/16	1-3/8 - 6 UNC	655 (887)	1470 (1992)	2382 (3228)
2-1/16	1-3/8 - 12 UNF	746 (1011)	1672 (2266)	2712 (3675)
2-1/4	1-1/2 - 6 UNC	870 (1179)	1950 (2642)	3161 (4283)
2-1/4	1-1/2 - 12 UNF	979 (1327)	2194 (2973)	3557 (4820)

METRIC



Numbers appearing on bolt heads indicate ASTM class.

Proper torque for metric fasteners used on Bush Hog equipment.
Recommended torque in foot pounds (Newton Meters).*

WRENCH SIZE (mm) "A"	BOLT DIA. (mm) "B"	ASTM 4.6	ASTM 8.8	ASTM 9.8	ASTM 10.9
8	5	1.8 (2.4)		5.1 (6.9)	6.5 (8.8)
10	6	3 (4)		8.7 (12)	11.1 (15)
13	8	7.3 (10)		21.1 (29)	27 (37)
16	10	14.5 (20)		42 (57)	53 (72)
18	12	25 (34)	74 (100)	73 (99)	93 (126)
21	14	40 (54)	118 (160)	116 (157)	148 (201)
24	16	62 (84)	167 (226)	181 (245)	230 (312)
30	20	122 (165)	325 (440)		449 (608)
33	22		443 (600)		611 (828)
36	24	211 (286)	563 (763)		778 (1054)
41	27		821 (1112)		1138 (1542)
46	30	418 (566)	1119 (1516)		1547 (2096)

*Use 75% of the specified torque value for plated fasteners. Use 85% of the specified torque values for lubricated fasteners.



BUSH HOG[®]
Performance You Can Count OnSM

2501 Griffin Ave. • Selma, AL 36703
Telephone (334) 874-2700 • www.bushhog.com

Free Manuals Download Website

<http://myh66.com>

<http://usermanuals.us>

<http://www.somanuals.com>

<http://www.4manuals.cc>

<http://www.manual-lib.com>

<http://www.404manual.com>

<http://www.luxmanual.com>

<http://aubethermostatmanual.com>

Golf course search by state

<http://golfingnear.com>

Email search by domain

<http://emailbydomain.com>

Auto manuals search

<http://auto.somanuals.com>

TV manuals search

<http://tv.somanuals.com>