

Please read and save these instructions. Read carefully before attempting to assemble, install, operate or maintain the product described. Protect yourself and others by observing all safety information. Failure to comply with instructions could result in personal injury and/or property damage! Retain instructions for future reference.



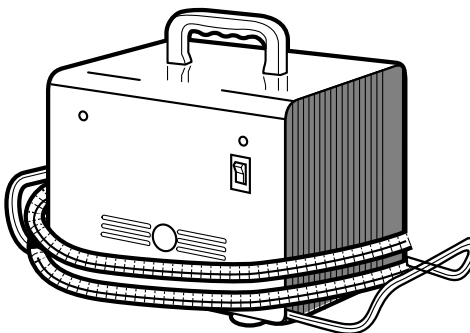
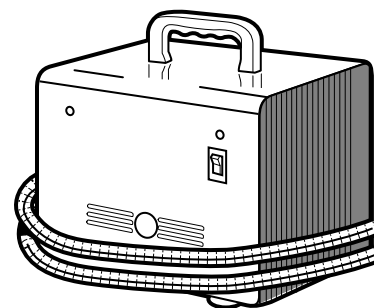
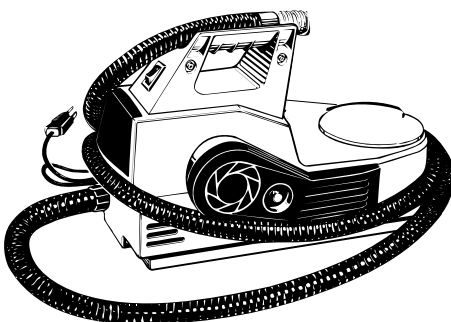
**CAMPBELL
HAUSFELD**
BUILT TO LAST

HVLP Turbine

Attention: Campbell Hausfeld recommends that servicing other than that shown in the instruction manual should be performed by an authorized service facility. NOT INTENDED FOR CONTINUOUS USE.

Description

Campbell Hausfeld HVLP turbines are designed to generate a High Volume of Low Pressure air for operating HVLP spray guns. These turbines operate differently than air compressors because turbines do not require an air tank to hold compressed air. Since there is no compression of air, HVLP turbines do not create condensation in the air hoses as compressors often do. Consequently, the project is not at risk of condensation contaminating the coating material. The air generated by the turbine is generally warm due to the air working in the turbine. The warm air can be a benefit for accelerating drying in less than ideal weather conditions and for drying the spray gun components. HVLP turbines are portable, can be plugged into standard outlets and operate and sound similar to shop-vacs.



Unpacking

When unpacking the unit, inspect carefully for any damage that may have occurred during transit. Make sure any loose fittings, bolts, etc., are tightened before putting sprayer into service. Each unit has been tested before shipment. Do not readjust or modify the turbine components.

Specifications

MODEL HV2000

CFM54 CFM at turbine outlet
 Operating Pressure4 PSI Max.
 Motor Type Brush type, 2 stage,
 Tangential
 Hose Length15 ft. (30 ft. Max.)
 Transfer Efficiency86% Max.
 Weight15 Pounds
 Voltage120V, 10.1 Amp
 Stub HoseNo
 Storage CompartmentYes

MODEL HV2500

CFM58 CFM at turbine outlet
 Operating Pressure5 PSI Max.
 Motor Type Brush type, 2 stage,
 Tangential
 Hose Length25 ft. (40 ft. Max.)
 Transfer Efficiency86% Max.
 Weight26 Pounds
 Voltage120V, 11 Amp
 Stub HoseYes
 Storage CompartmentYes

MODEL HV3000

CFM65 CFM at turbine outlet
 Operating Pressure6 PSI Max.
 Motor Type Brush type, 3 stage,
 Tangential
 Hose Length25 ft. (50 ft. Max.)
 Transfer Efficiency86% Max.
 Weight28 Pounds
 Voltage120V, 13.8 Amp
 Stub HoseYes
 Storage CompartmentYes

COMPONENTS

- (1) Turbine
- (1) Hose and quick connect fitting assemble and clean the unit (storage compartment)
- (1) Wrench - the only tool needed to assemble and clean the unit (storage compartment)
- (1) Viscosity stick (storage compartment)
- (1) Cleaning brush (storage compartment)

REMINDER: Keep your dated proof of purchase for warranty purposes! Attach it to this manual or file it for safekeeping.

General Safety

⚠ DANGER *Danger means a hazard that will cause death or serious injury if the warning is ignored.*

⚠ WARNING *Warning means a hazard that could cause death or serious injury if the warning is ignored.*

⚠ CAUTION *Caution means a hazard that may cause minor or moderate injury if the warning is ignored. It also may mean a hazard that will only cause damage to property.*

NOTE: Note means any additional information pertaining to the product or its proper usage.

Read all instructions and safety precautions before operating the unit.

⚠ WARNING
Risk of fire or explosion! Solvent and paint fumes can explode or ignite, causing severe injury and property damage.



Paints and solvents containing HALOGENATED HYDROCARBONS can react explosively with aluminum. Always check the product's label before using these materials in the unit.

Make sure the room is well-ventilated.

Avoid all ignition sources, such as static electricity sparks, open flames, hot objects, sparks from connecting and disconnecting power cords, and working light switches.

Follow the material and solvent manufacturers' safety precautions and warnings. Do not use liquids with flash points less than 100 degrees Fahrenheit (38 degrees Celsius).

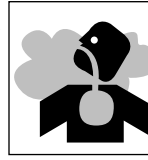
Do not carry TURBINE while spraying.

Keep the turbine at the maximum distance from the spraying area.

Static electricity can be produced by HVLP spraying. Make sure any electrically conductive object being sprayed is grounded to prevent static sparking. The sprayer is grounded through the electric cord. If an extension cord is necessary, the cord

must be a grounded, 115 volt, three wire type cord.

Hazardous vapors: Paints, solvents, insecticides, and other materials may be harmful if inhaled, causing severe nausea, fainting, or poisoning.



Use a respirator or mask whenever there is a chance that vapors may be inhaled. Read all instructions with the mask to ensure that the mask will provide the necessary protection against the inhalation of harmful vapors.

NEVER point the spray gun at any part of the body, or at anyone else.

⚠ CAUTION

Tipping the gun causes the gun to clog. Dried spray material also clogs the pressure delivery tube and fittings. The spray gun does not function when clogging occurs.

When not in use, be sure to disconnect the hose and place the gun on a solid, level surface to avoid tipping.

GROUNDING INSTRUCTIONS

This product must be properly grounded. In the event of an electrical short circuit, grounding reduces the risk of electrical shock by providing an alternate path for the electrical current.

This product is equipped with a cord that has a ground wire and an appropriate ground plug. Plug the unit into an outlet that is properly installed and grounded in accordance with local codes and ordinances.

⚠ DANGER
Improper installation of the ground plug can result in the risk of electrical shock. If repair or replacement of the plug or cord is necessary, do not connect the ground wire to either flat blade terminal. The wire with green insulation (with or without a yellow stripe) is the grounding wire.



1. For any question regarding proper installation of the ground plug, consult a qualified (licensed or certified) electrician.

2. Do not modify the plug provided. If the plug does not fit the outlet, have the proper outlet installed by a qualified electrician.
3. This product is for use on a nominal 120-volt circuit and has a grounding plug that looks like the plug in Figure 2. Make sure that the product is connected to an outlet having the same configuration as the plug. No adapters should be used with this product.

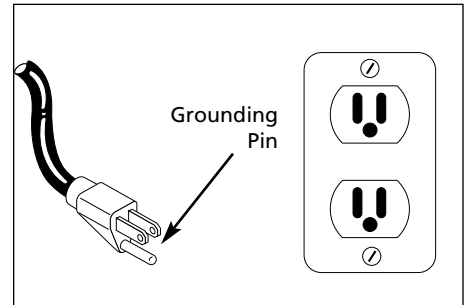


Figure 2 - Grounding Plug

4. If an extension cord is required, use only a three wire extension cord that has the same configuration as the unit cord, including the (round) ground terminal. Make sure that the extension cord is plugged into a properly grounded receptacle.
5. When using an extension cord, be sure it is in good condition and heavy enough to meet the specifications in the chart below. If an extension cord is needed, the following wire sizes must be used (See Chart 1).

25' cord	10,12, or 14 Gauge
50' cord	10 or 12 Gauge
100' cord	10 Gauge

Chart 1 Extension Cord Requirements

**For Information About
This Product
Call 1-800-626-4401**

Maintenance

Be sure the air filter is clean. A dirty air filter restricts air flow and can cause the motor to overheat.

IMPORTANT: Keep the unit at the maximum distance from the spray area to extend filter life.

MODEL HV2000

1. Remove the filter grille thumbscrew with a screw driver to access the filter (See Figure 3).
2. Clean the filter with mild soapy water and pat dry.
3. Replace filter if built-up with paint.

MODEL HV2500 AND HV3000

1. Squeeze and pull to remove both filters (See Figure 4).
2. Clean the filter with mild soapy water and pat dry or replace filter if built-up with paint.
3. Squeeze and tuck to install filter.

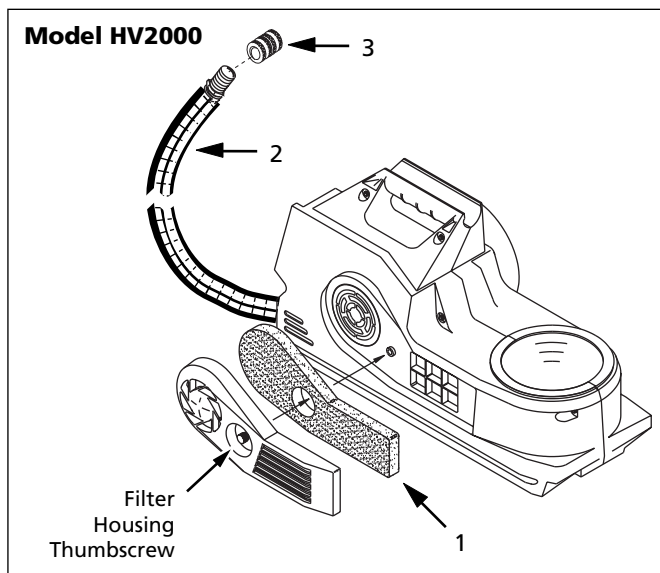


Figure 3

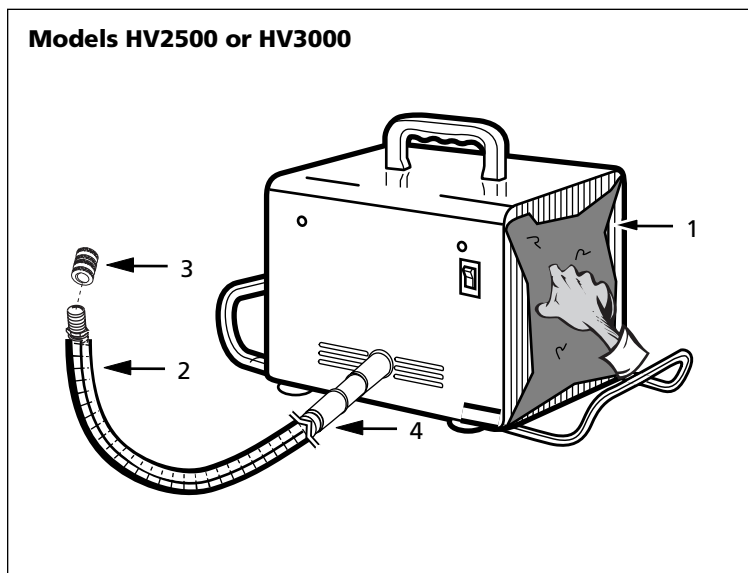


Figure 4

Replacement Parts List

Ref No.	Description	Part Number For Model Number			Qty
		HV2000	HV2500	HV3000	
1	Filter	MP3021	—	—	1
	Filter pack	—	HV012600AJ	HV012600AJ	2
2	Hose 15'	MP3106	—	—	1
	Hose 25'	—	HV012500AJ	HV012500AJ	1
3	Quick connect coupler	HV002200AV	HV002200AV	HV002200AV	1
4	Stub hose	—	HA222503AV	HA222503AV	1

Accessories

Ref No.	Description	Part Number	Qty
1	5' Whip Hose (Use with any model)	HV012400AJ	1
2	Multi-Purpose Case	HV7008	1

Troubleshooting Chart

Symptom	Possible Cause(s)	Corrective Action
Poor air flow	1. Hose restricted or kinked 2. Restricted filter	1. Keep air hose straight 2. Clean or replace filter
Unusual grinding noise	Damaged turbine motor	Contact Service Center

**For Information About This Product
Call 1-800-626-4401**

Limited Warranty

1. **DURATION:** From the date of purchase by the original purchaser as follows: Standard Duty Paint Application Systems and all Paint Application Accessories - 1 year, Serious Duty Paint Application Systems - 3 years, Extreme Duty Paint Application Systems - 5 years.
2. **WHO GIVES THIS WARRANTY (WARRANTOR):** Campbell Hausfeld/A Scott Fetzer Company, 100 Production Drive, Harrison, Ohio, 45030, Telephone: 1-800-626-4401.
3. **WHO RECEIVES THIS WARRANTY (PURCHASER):** The original purchaser (other than for purposes of resale or rental) of the Campbell Hausfeld Product.
4. **WHAT PRODUCTS ARE COVERED BY THIS WARRANTY:** All non-compressor driven paint application systems, HVLP spraying systems, and paint application accessories supplied or manufactured by the Warrantor.
5. **WHAT IS COVERED UNDER THIS WARRANTY:** Defects in material and workmanship which occur within the duration of the warranty period. Warrantor will also cover normal wear items for a period of thirty days from the date of original purchase against defects in material and workmanship. These wear items are: HVLP-filters, motor brushes, gun packing, gun canister seal, gun check valve and gun air flow ring; Airless-inlet valve, outlet valve, gun valve, filters, tips, all seals and o-rings.
6. **WHAT IS NOT COVERED UNDER THIS WARRANTY:**
 - A. Implied warranties, including those of merchantability and FITNESS FOR A PARTICULAR PURPOSE ARE LIMITED FROM THE DATE OF ORIGINAL PURCHASE AS STATED IN THE DURATION. If standard duty product is used for commercial or industrial purposes, the warranty will apply for ninety (90) days from the date of original purchase. If product is used for rental purposes, the warranty will apply for ninety (90) days from the date of original purchase. Some states do not allow limitation on how long an implied warranty lasts, so the above limitations may not apply to you.
 - B. ANY INCIDENTAL, INDIRECT, OR CONSEQUENTIAL LOSS, DAMAGE , OR EXPENSE THAT MAY RESULT FROM ANY DEFECT, FAILURE, OR MALFUNCTION OF THE CAMPBELL HAUSFELD PRODUCT. Some states do not allow the exclusion or limitation of incidental or consequential damages, so the above limitation or exclusion may not apply to you.
 - C. Any failure that results from an accident, purchaser's abuse, neglect or failure to operate products in accordance with instructions provided in the owner's manual(s) supplied with product. Accident, purchaser's abuse, neglect or failure to operate products in accordance with instructions shall also include the removal or alteration of any safety devices. If such safety devices are removed or altered, this warranty is void.
 - D. Normal adjustments which are explained in the owner's manual(s) provided with the product.
 - E. Items or services that are normally required to maintain the product: HVLP-filters, motor brushes, gun packing, gun canister seal, gun check valve and gun air flow ring; Airless-inlet valve, outlet valve, gun valve, filters, tips, all seals and o-rings., or any other expendable part not specifically listed, will only be covered for thirty days from date of original purchase.
7. **RESPONSIBILITIES OF WARRANTOR UNDER THIS WARRANTY:** Repair or replace, at Warrantor's option, products or components which are defective, have malfunctioned and/or failed to conform within duration of the warranty period.
8. **RESPONSIBILITIES OF PURCHASER UNDER THIS WARRANTY:**
 - A. Provide dated proof of purchase and maintenance records.
 - B. Deliver or ship the Campbell Hausfeld product or component to the nearest Campbell Hausfeld Authorized Service Center. Freight costs, if any, must be borne by the purchaser.
 - C. Use reasonable care in the operation and maintenance of the products as described in the owner's manual(s).
9. **WHEN WARRANTOR WILL PERFORM REPAIR OR REPLACEMENT UNDER THIS WARRANTY:** Repair or replacement will be scheduled and serviced according to the normal work flow at the servicing location, and depending on the availability of replacement parts.

This Limited Warranty applies in the U.S., Canada and Mexico only and gives you specific legal rights. You may also have other rights which vary from state to state, or country to country.

S'il vous plaît lire et conserver ces instructions. Lire attentivement avant de monter, installer, utiliser de procéder à l'entretien du produit décrit. Se protéger ainsi que les autres en observant toutes les instructions de sécurité, sinon, il y a risque de blessure et/ou dégâts matériels. Conserver ces instructions comme référence.

CAMPBELL HAUSFELD Turbine HVLP

BUILT TO LAST

Attention: Campbell Hausfeld recommande que l'entretien autre que celui décrit dans le manuel d'instruction devrait être performé par un centre de service autorisé. PAS CONÇU POUR L'USAGE CONTINU.

Description

Les turbines HVLP Campbell Hausfeld sont conçus pour produire un Volume d'air Haute à Basse Pression pour actionner les pistolets pulvérisateurs HVLP. Ces turbines n'exigent pas de réservoirs à air pour contenir de l'air comprimé. Puisque il n'y a pas d'air comprimé, les turbines HVLP ne produisent pas de condensation dans les tuyaux d'air. Il n'y a pas de risque de dommage au projet causé par la condensation dans l'enduit. L'air produit par la turbine est chaud ce qui est avantageux pour le séchage accéléré des enduits sous les conditions de température qui ne sont pas idéales et pour le séchage des pièces détachées du pistolet. Les turbines HVLP sont portatives, peuvent être branchées dans les prises de courants standards. Les turbines fonctionnent et produisent un bruit comme un aspirateur shop-vac sec/humide.

Déballage

Lors du déballage du modèle, l'examiner soigneusement pour rechercher toute trace de dommage susceptible de s'être produit en cours de transport. Serrer tous raccords, boulons, etc., qui sont desserrés avant de mettre le pulvérisateur en marche. Chaque modèle a été éprouvé avant l'expédition. Ne pas régler à nouveau ou modifier les pièces de la turbine.

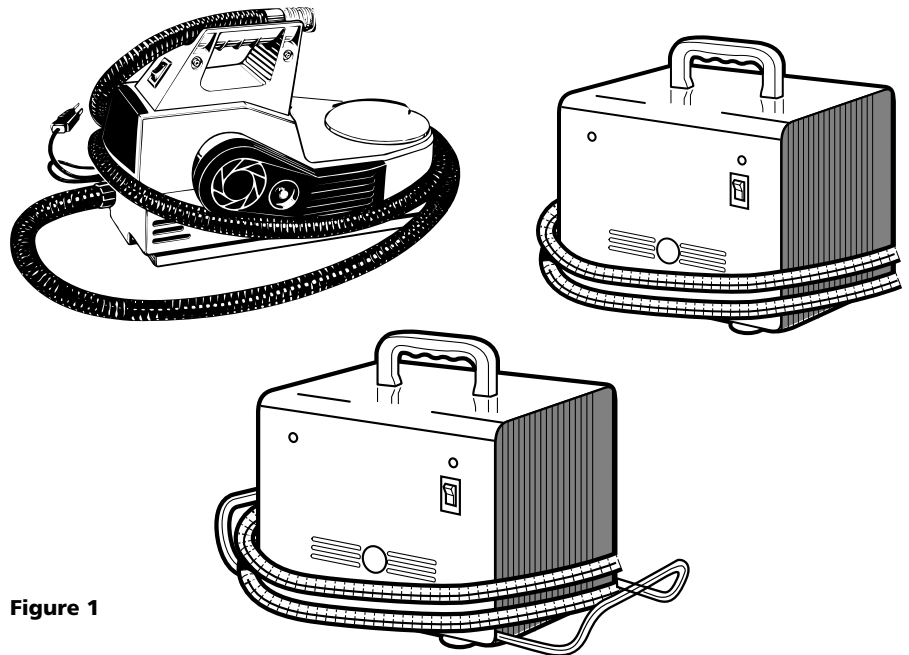


Figure 1

Spécifications

MODEL HV2000

CFM54 CFM (1,53 M³/min)
à la sortie de la turbine
Pression de Service27,6 kPa Max.
Type de moteur ..Type balai, 2 étapes,
Tangentiel
Longueur de Tuyau4,6 M
(9,1 M Max.)
Efficacité du Transfert86% Max.
Poids6,8 Kg
Voltage120V, . 10.1 Amp
Tuyau CourtNon
Compartiment D'entreposageOui

MODEL HV2500

CFM58 CFM (1,64 M³/min)
à la sortie de la turbine
Pression de Service34,5 kPa Max.
Type de moteur ..Type balai, 2 étapes,
Tangentiel
Longueur de Tuyau7,62 M
(12,2 M Max.)
Efficacité du Transfert86% Max.
Poids11,8 Kg
Voltage120V, . 11 Amp
Tuyau CourtOui
Compartiment D'entreposageOui

MODEL HV3000

CFM65 CFM (1,84 M³/min)
à la sortie de la turbine
Pression de Service41,4 kPa Max.
Type de moteur ..Type balai, 2 étapes,
Tangentiel
Longueur de Tuyau7,62 M
(15,24 M Max.)
Efficacité du Transfert86% Max.
Poids12,7 Kg
Voltage120V, . 13.8 Amp
Tuyau CourtOui
Compartiment D'entreposageOui

PIÈCES DÉTACHÉES

- (1) Turbine
- (1) Tuyau et raccord rapide (dans l'entrepôt du modèle)
- (1) Clé - le seul outil nécessaire pour assembler et nettoyer le modèle (dans l'entrepôt du modèle)
- (1) Tige de viscosité (dans l'entrepôt du modèle)
- (1) Brosse pour nettoyage (dans l'entrepôt du modèle)

MÉMENTO: Gardez votre preuve datée d'achat à fin de la garantie!
Joignez-la à ce manuel ou classez-la dans un dossier pour plus de sécurité.

Généralités Sur La Sécurité

⚠ DANGER Danger indique: une situation hasardeuse imminente qui peut avoir comme résultat, perte de vie ou blessure grave.

⚠ AVERTISSEMENT

Avertissement indique: risque potentiel de situation hasardeuse qui peut avoir comme résultat, perte de vie ou blessure grave.

⚠ ATTENTION

Attention indique: risque de situation hasardeuse qui peut avoir comme résultat, blessure (de sévérité petite ou moyenne)

REMARQUE indique: de l'information importante. Manque de suivre cette information peut avoir comme résultat, dommage à l'équipement.

Lire toutes instructions et précautions de sécurité avant de faire fonctionner le modèle.

⚠ AVERTISSEMENT

Risque de feu ou d'explosion! Vapeurs de solvants ou de peinture peuvent s'éclater ou s'allumer, et causer des blessures graves et dommage matériel.



Les peintures et solvants qui contiennent les HYDROCARBURES HALOGÉNÉS peuvent réagir en explosion avec l'aluminium. Toujours vérifier l'étiquette du produit avant d'utiliser ces matériaux dans le modèle.

Assurer que la chambre soit bien ventilée.

Éviter toute sources d'allumage, telles que les étincelles d'électricité statique, flammes ouvertes, objets chauds, étincelles des cordons d'alimentation qui se branchent et se débranchent, et interrupteurs d'éclairage de travail.

Suivre les précautions de sécurité et avertissements des fabricants du matériel et du solvant. Ne pas utiliser les liquides qui ont un point d'inflammabilité de moins de 100 degrés Fahrenheit (38 degrés Celsius).

Ne pas transporter la TURBINE pendant la pulvérisation.

Garder la turbine à la distance maximum de l'endroit de pulvérisation.

La pulvérisation HVLP peut produire l'électricité statique. Assurer que n'importe quel objet pour pulvérisation qui a une conductivité électrique soit mise à la terre pour éviter l'étincellement statique. Le pulvérisateur est mis à la terre à travers du cordon électrique. Si un cordon prolongateur est nécessaire, le

cordon doit être de type mis à la terre, de 115 volts, à trois fils.

Les vapeurs hasardeuses: Peintures, solvants, insecticides, et autres matériaux peuvent être nocifs si aspirés et avoir peuvent résulter en nausée sévère, l'évanouissement, ou l'empoisonnement.



Utiliser un respirateur ou masque s'il y a une chance que les vapeurs peuvent être aspirés. Lire toutes instructions avec le masque pour assurer que le masque fournira la protection nécessaire contre l'aspiration des vapeurs nocifs.

NE JAMAIS diriger le pistolet pulvérisateur à votre corps ou vers une autre personne.

⚠ ATTENTION

L'inclinaison du pistolet peut causer l'obstruction du pistolet. Le matériel de pulvérisation sec peut aussi causer l'obstruction du tuyau et aux raccords. Le pistolet ne fonctionnera pas si obstrué.

Si le modèle n'est pas en usage, débrancher le tuyau et placer le pistolet sur une surface solide et égale pour éviter le bousculage.

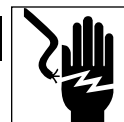
INSTRUCTIONS POUR LA MISE À LA TERRE

Ce produit doit être proprement mis à la terre. Dans l'événement d'un court-circuit électrique, la mise à la terre réduit le risque de secousse électrique en fournissant un parcours alternatif pour le courant électrique

Ce produit est équipé avec un câble électrique qui fournit un fil mis à la terre et une fiche mise à la terre. Brancher le modèle dans une prise de courant qui est proprement installée et mise à la terre en accordance avec les codes et ordonnances locales.

⚠ DANGER

L'installation impropre de la fiche mise à la terre peut avoir comme résultat un risque de secousse électrique. Si la réparation ou le remplacement de la fiche ou du cordon est nécessaire, ne pas connecter le fil de mise à la terre à n'importe quelle serre-fils. Le fil avec l'isolement vert (avec ou sans une rayure jaune) est le fil de mise à la terre.



1. Pour questions concernant l'installation correct de la fiche mise

à la terre, consulter un électricien qualifié (licensé ou certifié).

2. Ne pas modifier la fiche fournit. Si la fiche ne correspond pas avec la prise, il est nécessaire de faire installer une nouvelle prise par un électricien qualifié.
3. Ce produit est conçu pour un circuit normal de 120 volts et a une fiche de mise à la terre qui rassemble la fiche dans le figure 2. Assurer que le produit est connecté à une prise qui porte la même configuration que la fiche. Ne pas utiliser un adaptateur avec ce produit.

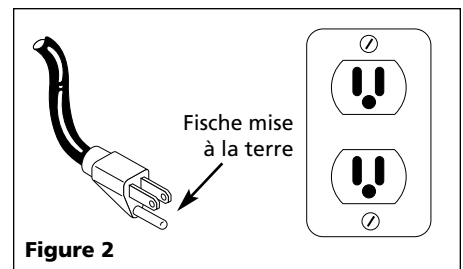


Figure 2

4. Si un cordon prolongateur est exigé, utiliser seulement un prolongateur à trois fils qui a la même configuration que le cordon du modèle, y compris la borne de mise à la terre (ronde). Assurer que le prolongateur est branché dans une prise de courant mise à la terre.
5. Assurer que le cordon prolongateur que vous utilisez est en bonne condition et est suffisant pour correspondre avec les spécifications sur la carte ci-dessous. Si un prolongateur est exigé, les tailles de fils suivants doivent correspondre. (Voir la carte 1)

Cordon de 7,62 M - 10,12, or 14 Jauge
Cordon de 15,24 M . . .10 or 12 Jauge
Cordon de 30,5 M10 Jauge

Carte 1 Exigences De Cordons Prolongateurs

Pour Des Informations Concernant Ce Produit, Appeler 1-800-626-4401

Entretien

Assurer que le filtre d'air est propre. Un filtre d'air sale peut limiter la circulation d'air et peut causer le surchauffage du moteur.

IMPORTANT: Garder le modèle à une distance maximum de l'endroit de pulvérisation pour prolonger la vie du filtre.

MODÈLE HV2000

1. Enlever la vis à oreilles du grillage de filtre avec un tournevis (Voir la Figure 3).
2. Nettoyer le filtre avec de l'eau savonneuse et sécher en essuyant doucement.
3. Remplacer le filtre s'il y a une accumulation de peinture.

MODÈLE HV2500 ET HV3000

1. Presser et tirer pour enlever les deux filtres (Voir la Figure 4).
2. Nettoyer avec de l'eau savonneuse et sécher en essuyant doucement ou remplacer le filtre s'il y a une accumulation de peinture.
3. Presser et plisser pour installer le filtre.

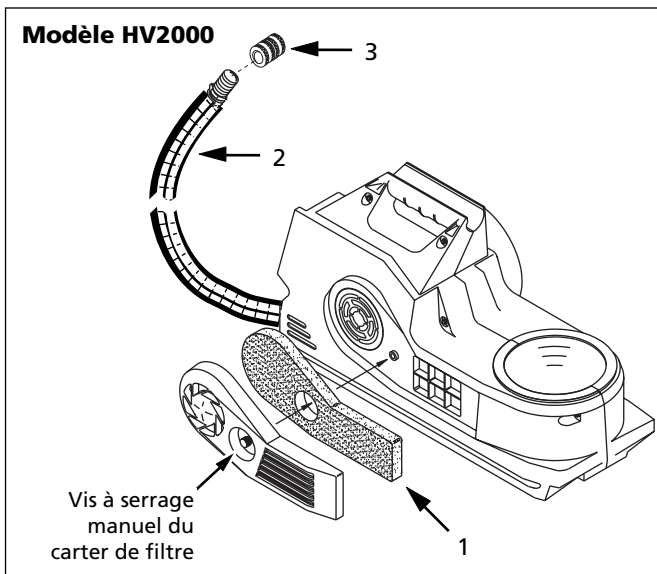


Figure 3

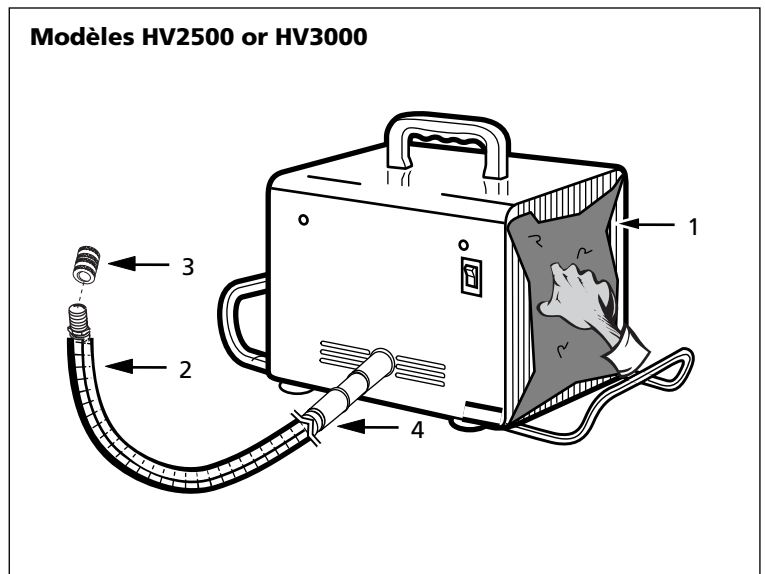


Figure 4

Liste De Pièces De Rechange

No. De Réf.	Description	No. De Pièce			Qté
		HV2000	HV2500	HV3000	
1	Filtre	MP3021	—	—	1
	Paquet de filtre	—	HV012600AJ	HV012600AJ	2
2	Tuyau 4,57 M (15 pi)	MP3106	—	—	1
	Tuyau 7,62 M (25 pi)	—	HV012500AJ	HV012500AJ	1
3	Accouplement à raccord rapide	HV002200AV	HV002200AV	HV002200AV	1
4	Tuyau court	—	HA222503AV	HA222503AV	1

Accessoires

Réf. N°	Description	Numéro de pièce	Qté
1	Tuyau fléchi de 1,52 M (5 pi) (utiliser avec tout modèle)	HV012400AJ	1
2	Boîtier multi-usage	HV7008	1

Guide De Dépannage

Symptôme	Cause(s) Possible(s)	Mesures Correctives
Circulation d'air faible	1. Tuyau limité ou tortillé 2. Filtre limité	1. Tenir le tuyau d'air droit 2. Nettoyer ou remplacer le filtre

Grincement inhabituel

Moteur de turbine endommagé

Contacter le Centre De Service

**Pour Des Informations Concernant Ce Produit,
Appeler 1-800-626-4401**

Garantie Limitée

1. DURÉE: À partir de la date d'achat par l'acheteur original comme suit - Systèmes pour Application de Peinture Service Standard (Standard Duty) et tous les Accessoires pour Application de Peinture - 1 An, Systèmes pour Application de Peinture Service Sérieux (Serious Duty) - 3 Ans, Systèmes pour Application de Peinture Service Extrême (Extreme Duty) - 5 Ans.
2. GARANTIE ACCORDÉE PAR (GARANT): Campbell Hausfeld/Scott Fetzer Company, 100 Production Drive, Harrison, Ohio, 45030, Téléphone: (800) 543-6400
3. BÉNÉFICIAIRE DE CETTE GARANTIE (ACHETEUR): L'acheteur original (sauf en cas de revente ou de location) du produit Campbell Hausfeld.
4. PRODUITS COUVERTS PAR CETTE GARANTIE: Tous les systèmes pour application de peinture qui ne sont pas actionnés par un compresseur d'air, systèmes HVLP (haut volume, basse pression), et accessoires pour application de peinture qui sont fournis par ou fabriqués par le Garant.
5. COUVERTURE DE LA PRÉSENTE GARANTIE: Défauts de matière et de fabrication qui se révèlent pendant la période de validité de la garantie. Le garant couvre aussi les articles d'usure normale contre les défauts de matière et de fabrication pendant trente jours à partir de la date d'achat. Les articles d'usure normale sont: les filtres HVLP, les balais de moteur, les garnitures de pistolets, le joint de la boîte du pistolet, le clapet du pistolet, et la bague de circulation d'air du pistolet; soupape d'arrivée sans air, soupape de sortie, soupape de pistolet, filtres, buses tous les joints et joints toriques.
6. LA PRÉSENTE GARANTIE NE COUVRE PAS:
 - A. Les garanties implicites, y compris celles de commercialisabilité et D'ADAPTION À UNE FONCTION PARTICULIÈRE SONT LIMITÉES À PARTIR DE LA DATE D'ACHAT INITIALE TELLE QU'INDIQUÉE DANS LA SECTION DURÉE. Si le produit Service Standard est utilisé pour une fonction commerciale ou industrielle, la durée de la garantie sera quatre-vingt-dix (90) jours à compter de la date d'achat. Si le produit est utilisé pour la location, la durée de la garantie sera quatre-vingt-dix jours (90) à compter de la date d'achat. Quelques Provinces (États) n'autorisent pas de limitations de durée pour les garanties implicites. Les limitations précédentes peuvent donc ne pas s'appliquer.
 - B. TOUT DOMMAGE, PERTE OU DÉPENSE FORTUIT OU INDIRECT POUVANT RÉSULTER DE TOUT DÉFAUT, PANNE OU MAUVAIS FONCTIONNEMENT DU PRODUIT CAMPBELL HAUSFELD. Quelques Provinces (États) n'autorisent pas l'exclusion ni la limitation des dommages fortuits ou indirects. La limitation ou exclusion précédente peut donc ne pas s'appliquer.
 - C. Toute panne résultant d'un accident, d'une utilisation abusive, de la négligence ou d'une utilisation ne respectant pas les instructions données dans le(s) manuel(s) accompagnant le produit. Un accident, l'utilisation abusive par l'acheteur, la négligence ou le manque de faire fonctionner les produits selon les instructions comprend aussi l'enlèvement ou la modification de n'importe quel appareil de sûreté. Si ces appareils de sûreté sont enlevés ou modifiés, la garantie sera annulée.
 - D. Réglages normaux qui sont expliqués dans le(s) manuel(s) d'utilisation accompagnant le produit.
 - E. Articles ou services qui sont exigés pour l'entretien du produit; filtres HVLP, balais de moteur, joint de boîte de pistolet, clapet de pistolet et bague de circulation d'air du pistolet; Soupape d'arrivée sans air, soupape de sortie, soupape de pistolet, filtres, buses, tous les joints et les joints toriques, ou n'importe quelle pièce qui n'est pas indispensable et n'est pas spécifiée seront couverts pendant seulement trente (30) jours à partir de la date d'achat original.
7. RESPONSABILITÉS DU GARANT AUX TERMES DE CETTE GARANTIE: Réparation ou remplacement, au choix du Garant, des produits ou pièces qui se sont révélés défectueux, qui se sont tombés en panne et/ou qui n'a pas conformé pendant la durée de validité de la garantie.
8. RESPONSABILITÉS DE L'ACHETEUR AUX TERMES DE CETTE GARANTIE:
 - A. Fournir une preuve d'achat datée et un état d'entretien.
 - B. Livraison ou expédition du produit ou de la pièce Campbell Hausfeld au Centre De Service Autorisé Campbell Hausfeld. Taux de frais, si applicables, sont la responsabilité de l'acheteur.
 - C. Utilisation et entretien du produit avec un soin raisonnable, ainsi que le décrit le(s) manuel(s) d'utilisation.
9. RÉPARATION OU REMPLACEMENT EFFECTUÉ PAR LE GARANT AUX TERMES DE LA PRÉSENTE GARANTIE: La réparation ou le remplacement sera prévu et exécuté en fonction de la charge de travail dans le centre de service et dépendra de la disponibilité des pièces de rechange.

Cette Garantie Limitée s'applique aux É.-U., au Canada et au Mexique seulement et vous donne des droits juridiques précis. L'acheteur peut également jouir d'autres droits qui varient d'une Province, d'un État ou d'un Pays à l'autre.

Leia e guarde estas instruções. Leia cuidadosamente antes de tentar montar, instalar, operar ou efetuar a manutenção do produto descrito. Proteja-se e aos outros observando todas as informações de segurança. Se essas instruções não forem seguidas poderão resultar em ferimentos pessoais e/ou danos de propriedade. Guarde estas instruções para referência futura.



Turbina HVLP

Atenção: A Campbell Hausfeld recomenda que os reparos que não sejam aqueles mencionados no manual de instrução devem ser realizados por um centro de serviço autorizado. **NÃO É INDICADO PARA USO CONTINUADO.**

Descrição

As turbinas Hausfeld HVLP são projetadas para gerar um ar de Baixa Pressão e Alto Volume para operação de pistolas de pulverização HVLP. Essas turbinas operam de forma diferente dos compressores de ar porque as turbinas não requerem um tanque de ar para manter o ar comprimido. Uma vez que não há ar comprimido, as turbinas HVLP não criam condensação nas mangueiras de ar como ocorrem com os compressores em geral.

Conseqüentemente, o projeto não está em risco de contaminação por condensação no material de revestimento. O ar gerado pela turbina é em geral quente devido ao ar que está na turbina. A vantagem do ar quente é acelerar a secagem opera em condições de tempo menos que ideais e para secagem de componentes de pistolas de pulverização. As turbinas HVLP são portáteis, podem ser colocadas em camadas padrão e operar e soar como aspiradores de oficinas.

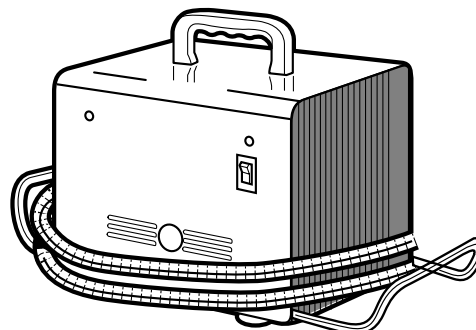
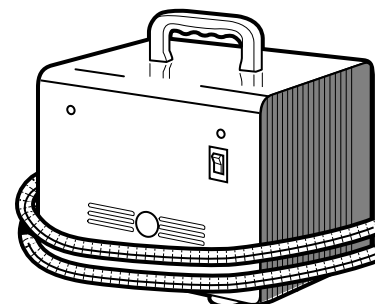
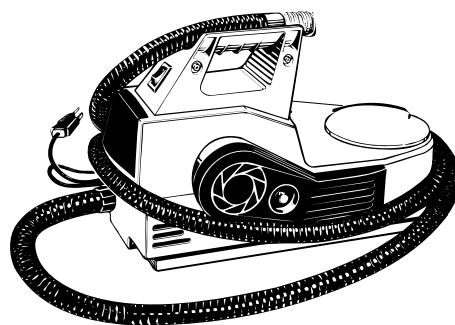
Desembalagem

Ao desembalar a pulverizadora, inspecione cuidadosamente quanto a quaisquer danos que possam ter ocorrido durante o transporte. Certifique-se de que as guarnições, parafusos etc. estejam apertados, antes de colocar a pulverizadora em funcionamento. Cada unidade foi testada antes do despacho. Não reajuste ou modifique os componentes da turbina.

Especificações

MODELO HV2000

CFM 54 CFM (1,53 M³/min)
na tomada da turbina
Pressão operacional 0,28 bar máx.
Tipo de motor ..Tipo de escova, 2 estágios,
tangencial



Comprimento 4,6 M
da mangueira (9,1 M máx.)
Eficiência de transferência 86% máx.
Peso 6,8 Kg
Voltagem 120V, 10,1 amp
Mangueira de adaptador Não
Compartimento de armazenamento .. Sim

MODELO HV2500

CFM 58 CFM (1,64 M³/min)
na tomada da turbina
Pressão operacional 0,35 bar máx.
Tipo de motor ..Tipo de escova, 2 estágios,
tangencial

Comprimento 7,62 M
da mangueira (12,2 M máx.)
Eficiência de transferência 86% máx.
Peso 11,8 Kg
Voltagem 120V, 11 amp
Mangueira de adaptador Sim
Compartimento de armazenamento .. Sim

MODELO HV3000

CFM 65 CFM (1,84 M³/min)
na tomada da turbina
Pressão operacional 0,41 bar máx.

Tipo de motor ...Tipo de escova, 3 estágios,
tangencial

Comprimento 7,62 M
da mangueira (15,24 M máx.)
Eficiência de transferência 86% máx.
Peso 12,7 Kg
Voltagem 120V, 13,8 amp
Mangueira de adaptador Sim
Compartimento de armazenamento .. Sim

COMPONENTES

- (1) Turbina
- (1) Acessório de conexão rápida e mangueira para montar e limpar a unidade (compartimento de armazenamento)
- (1) Chave - a única ferramenta necessária para montar e limpar a unidade (compartimento de armazenamento)
- (1) Vareta de viscosidade (compartimento de armazenamento)
- (1) Escova de limpeza (compartimento de armazenamento)

LEMBRETE: Guarde sua comprovação de compra datada até o fim da garantia!
Junte-a a este manual o archive-a para mais segurança.

Segurança Geral

⚠️ PERIGO

Perigo significa

um perigo que causará morte ou ferimento grave se a advertência for ignorada.

AVISO

Significa um

perigo que poderá causar morte ou ferimento grave se a advertência for ignorada.

⚠️ CUIDADO

Significa um

perigo que pode causar ferimentos pequenos ou moderados se a advertência for ignorada. Pode também significar um perigo que só causará danos de propriedade.

NOTA: Nota significa qualquer informação adicional referente ao produto ou ao seu uso adequado.

Leia todas as instruções e precauções de segurança antes de operar a unidade.

⚠️ AVISO



Risco de incêndio ou explosão! Vapores de solvente e tinta podem explodir ou inflamar causando ferimentos graves e danos de propriedade.

Tintas e solventes que contêm HIDROCARBONOS HALOGENADOS podem reagir de forma explosiva com alumínio. Verifique sempre o rótulo do produto antes de usar esses materiais no equipamento. Certifique-se de que a sala esteja bem ventilada.

Evite todas as fontes de ignição como centelhas elétricas estáticas, chamas abertas, objetos quentes, centelhas devido a conexão e desconexão de fios elétricos e chaves de luzes em funcionamento.

Sigas as precauções e advertências de segurança dos fabricantes do material e do solvente. Não use líquido com pontos de ignição inferior a 38 graus Celsius.

Não transporte a TURBINA enquanto estiver pulverizando.

Mantenha a turbina a uma distância máxima da área de pulverização.

A eletricidade estática pode ser produzida por pulverização de HVLP. Certifique-se de que qualquer objeto que conduz eletricidade que esteja sendo pulverizado seja aterrado para evitar centelhas estáticas. A pulverizadora é aterrada através de um

fio elétrico. Caso seja necessário um cabo de extensão, este deve ser um cabo do tipo de três fios de 115 volts.

Vapores perigosos: tintas, solventes, inseticidas e outros materiais podem ser perigosos se inalados causando náusea severa, desmaio ou envenenamento.



Use o respirador ou máscara quando houver possibilidade de que os vapores possam ser inalados. Leia todas as instruções com a máscara para assegurar que esta forneça a proteção necessária contra a inalação de vapores perigosos.

NUNCA aponte a pistola pulverizadora para qualquer parte do corpo ou para alguém.

⚠️ CUIDADO

Inclinar a pistola provoca obstrução. Material de pulverização seco também obstrui a pressão o tubo de aplicação e as conexões. A pistola pulverizadora não funciona quando há obstrução.

Quando não estiver sendo utilizada, certifique-se de desconectar a mangueira e colocar a pistola em uma superfície nivelada e sólida para evitar que se incline.

INSTRUÇÕES DE ATERRAMENTO

Este produto deve ser devidamente aterrado. Em caso de um curto circuito elétrico, o aterramento reduzirá o risco de choque elétrico, fornecendo um caminho alternativo para a corrente elétrica.

Este produto é equipado com um cabo que tem um fio de aterramento e um plugue de aterramento apropriado. Coloque a unidade na tomada que está instalada e aterrada corretamente de acordo com os códigos e ordinações locais.

⚠️ PERIGO

A instalação inadequada do plugue de aterramento pode resultar no risco de choque elétrico. Se o reparo ou a substituição do plugue ou do fio for necessário, não conecte o fio de aterramento no terminal de lâmina plana. O fio com o isolamento verde (com ou sem lista amarela) é o fio de aterramento.



1. Para qualquer pergunta com relação à instalação adequada do plugue de

aterramento, consulte um electricista qualificado (ou licenciado e certificado).

2. Não modifique o plugue que vem com a unidade. Se o plugue não entrar na tomada, peça que um electricista qualificado instale a tomada adequada.
3. Esse equipamento é para ser usado em um circuito nominal de 120 volts e ter um plugue de aterramento que parece com o plugue na Figura 2.

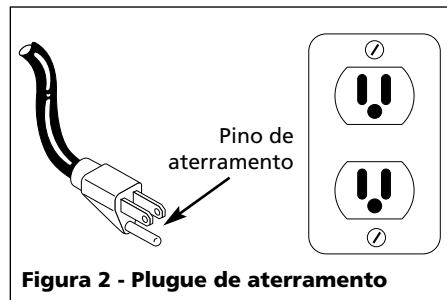


Figura 2 - Plugue de aterramento

Certifique-se de que o equipamento esteja conectado a uma tomada tendo a mesma configuração que o plugue. Não se deve usar adaptadores com este produto.

4. Se for necessário um cabo de extensão, use somente os cabos com três fios que têm a mesma configuração do cabo da unidade incluindo o terminal de aterramento redondo). Certifique-se de que o cabo de extensão esteja colocado em uma tomada aterrada adequadamente.
5. Ao usar um cabo de extensão, certifique-se de que esteja em boas condições e seja suficientemente grosso para atender às especificações na tabela abaixo. Se for necessário um cabo de extensão, os seguintes tamanhos de fio devem ser usados (veja a Tabela 1).

Cabo de 7,62 M	.10, 12, ou 14 Calibre
Cabo de 15,24 M	...10 ou 12 Calibre
Cabo de 30,5 M10 Calibre

Tabela 1 Requisitos do cabo de extensão

Para obter informações sobre este produto entre em contato com seu distribuidor local.

Manutenção

Certifique-se de que o filtro de ar esteja limpo. O filtro de ar sujo limita o fluxo de ar e pode provocar o superaquecimento do motor.

IMPORTANTE: Mantenha a unidade na distância máxima da área de pulverização para prolongar a durabilidade do filtro.

MODELO HV2000

1. Remova o parafuso borboleta da grelha do filtro com uma chave de fenda para acessar o filtro (Veja a figura 3).
2. Limpe o filtro com água de sabão moderado e seque enxugando.
3. Substitua o filtro se houver acúmulo de tinta.

MODELO HV2500 E HV3000

1. Aperte e puxe para remover ambos os filtros (Veja a Figura 4)
2. Limpe o filtro com água de sabão neutro e enxugue ou substitua o filtro se houver acúmulo de tinta.
3. Comprima e introduza para instalar o filtro.

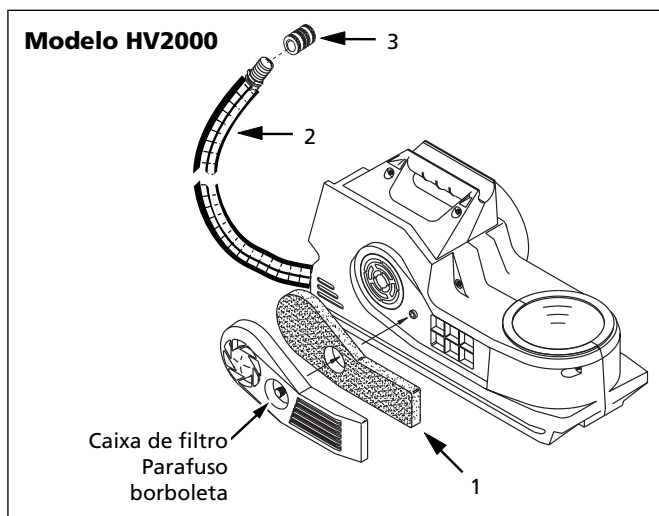


Figura 3

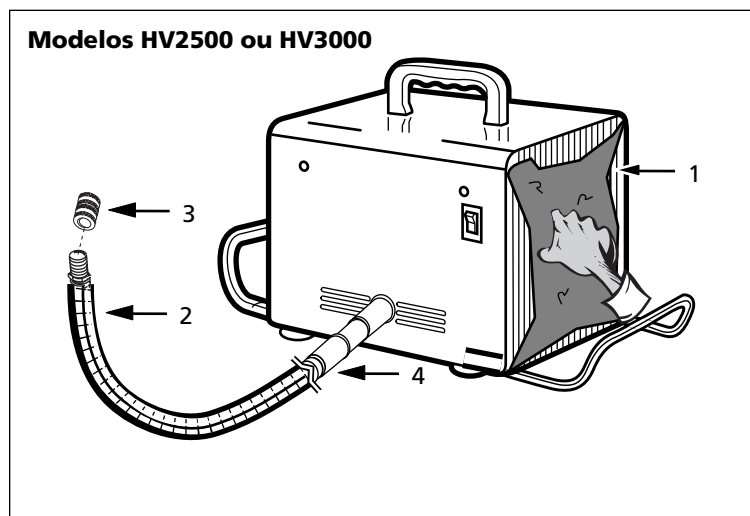


Figura 4

Lista de Peças de Reposição

Núm. de ref.	Descrição	Número da peça para o número do modelo			Qua.
		HV2000	HV2500	HV3000	
1	Filtro	MP3021	—	—	1
	Pacote de filtro	—	HV012600AJ	HV012600AJ	2
2	Mangueira de 4,57 M (15 pés)	MP3106	—	—	1
	Mangueira de 7,62 M (25 pés)	—	HV012500AJ	HV012500AJ	1
3	Acoplador de conexão rápida	HV002200AV	HV002200AV	HV002200AV	1
4	Mangueira de adaptador	—	HA222503AV	HA222503AV	1

Acessórios

No ref.	Descrição	Número da peça	Qde.
1	Extensão de mangueira de 1,52 M (5 pés) (Uso com qualquer modelo)	HV012400AJ	1
2	Estojo multi-uso	HV7008	1

Tabela de Solução de Problemas

Sintoma	Causa(s) possível(eis)	Medida(s) corretiva(s)
Fluxo de ar deficiente	1. Mangueira semi-obstruída ou torcida 2. Filtro limitado	1. Mantenha a mangueira de ar reta 2. Limpe ou substitua o filtro
Ruído de rangido incomum	Motor da turbina danificado	Entre em contato com um centro de serviço

**Para obter informações sobre este produto
Entre em contato com seu distribuidor local**

Garantia Limitada

1. **DURAÇÃO:** A partir da data de compra pelo comprador original conforme a seguir: Sistemas de aplicação de tinta de Serviço Normal e todos os acessórios para aplicação de tinta - Um ano, Sistemas de aplicação de tinta de Serviço Intenso – Três anos, Sistemas de aplicação de tinta de Serviço Extremo - Cinco anos.
2. **QUEM CONCEDE ESTA GARANTIA (GARANTIDOR):** Campbell Hausfeld/Scott Fetzer Company, 100 Production Drive, Harrison, Ohio, 45030, Telefone: 1-800-626-4401.
3. **QUEM RECEBE ESTA GARANTIA (COMPRADOR):** O comprador original (não para objetivo de revenda) dos produtos da Campbell Hausfeld.
4. **QUAIS SÃO OS PRODUTOS COBERTOS POR ESTA GARANTIA:** Todos os sistemas de aplicação de tinta não acionados por compressor, sistemas de pulverização de HVLP e acessórios para aplicação de tinta fornecidos e fabricados pelo Garantidor.
5. **O QUE ESTÁ COBERTO NESTA GARANTIA:** Defeitos de material e mão de obra que se apresentem durante o prazo de garantia. O Garantidor cobrirá também itens de desgaste normal por um período de trinta dias a partir da data original da compra contra defeitos de material e mão de obra. Os itens de desgaste são: filtros de HVLP, escovas automáticas, gaxeta do revólver, vedação do recipiente do revólver, válvula de retenção do revólver e anel de fluxo de ar do revólver; válvulas de entrada sem ar, válvula de saída, válvula do revólver, filtros, pontas, todas as vedações e anéis em O.
6. **O QUE NÃO ESTÁ COBERTO NESTA GARANTIA:**
 - A. Garantias implícitas, incluindo as de COMERCIALIZIDADE E ADEQUAÇÃO PARA UM OBJETIVO ESPECÍFICO SÃO LIMITADAS A PARTIR DA DATA DA COMPRA ORIGINAL, CONFORME ESTABELECIDO NO ITEM DURAÇÃO ACIMA. Se um produto de uso normal for usado para objetivos comerciais ou industriais, a garantia terá a duração de noventa (90) dias a partir da data de compra. Se o produto for usado para aluguel, a garantia terá a duração de noventa (90) dias a partir da data de compra. Alguns estados nos Estados Unidos) não permitem limites referentes ao prazo de duração da garantia implícita, de forma que os limites acima podem não se aplicar ao seu caso.
 - B. QUALQUER PERDA, DANO OU DESPESA INCIDENTAL, INDIRETA OU CONSEQÜENTE QUE POSSA RESULTAR DE QUALQUER DEFEITO, FALHA OU MAU FUNCIONAMENTO DOS PRODUTOS DA CAMPBELL HAUSFELD. Alguns estados (nos Estados Unidos) não permitem a exclusão ou limite de danos incidentais ou conseqüentes, de forma que o limite e exclusão podem não se aplicar ao seu caso.
 - C. Qualquer falha resultante de acidente, abuso por parte do comprador, negligência ou da não operação do produto de acordo com as instruções no(s) manual(ais) do proprietário que acompanha(m) este produto. Acidente, abuso por parte do comprador, negligência ou a não operação dos produtos de acordo com as instruções incluirão também a retirada ou alteração de qualquer dispositivo de segurança. Se tais dispositivos de segurança forem retirados ou alterados, esta garantia será anulada.
 - D. Ajustes normais que são explicados nos manuais do proprietário fornecido com o produto.
 - E. Itens ou serviços normalmente exigidos para manter o produto, isto é, filtros de HVLP, escovas automáticas, gaxeta do revólver, vedação do recipiente do revólver, válvula de retenção do revólver e anel de fluxo de ar do revólver. Válvulas de entrada sem ar, válvula de saída, válvula do revólver, filtros, pontas, todas as vedações e anéis em O ou qualquer outra parte consumível não necessariamente listada, estarão cobertos apenas por trinta dias a partir da data da compra original.
7. **RESPONSABILIDADES DO GARANTIDOR DE ACORDO COM ESTA GARANTIA:** Consertar ou substituir, a critério do garantidor, produtos ou componentes com defeitos, mau funcionamento e/ou falha durante o prazo de garantia.
8. **RESPONSABILIDADES DO COMPRADOR DE ACORDO COM ESTA GARANTIA:**
 - A. Fornecer comprovante de compra, datado, e registros de manutenção.
 - B. Entregar ou remeter o produto ou componente da Campbell Hausfeld ao Centro de Serviço Autorizado Campbell Hausfeld mais próximo. Os custos de frete, se houver, devem ser por conta do comprador.
 - C. Usar cuidado adequado na operação e manutenção dos produtos conforme descrito no(s) manual(ais) do proprietário.
9. **QUANDO O GARANTIDOR IRÁ CONSERTAR OU SUBSTITUIR DE ACORDO COM ESTA GARANTIA:** Consertos ou substituições serão programados e realizados de acordo com o fluxo de trabalho normal no local de conserto e dependendo da disponibilidade das peças de substituição.

Esta garantia limitada é válida somente nos E.U.A., no Canadá e no México e oferece direitos legais específicos. Você pode também ter outros direitos, que variam de estado para estado, ou de país para país.

Lea con cuidado antes de tratar de armar, instalar, manejar o darle servicio al producto descrito en este manual. Protéjase Ud. y a los demás observando todas las reglas de seguridad. El no seguir las instrucciones podría resultar en heridas y/o daños a su propiedad. Guarde este manual como referencia.



Turbina HVLP

Atención: Campbell Hausfeld le recomienda que cualquier otro servicio no indicado en el manual de instrucciones debe darse en un centro autorizado de servicio. **ESTE PRODUCTO NO ESTE DISEÑADO PARA USO CONTINUO.**

Descripción

Las turbinas HVLP (alto volumen, baja presión) de Campbell Hausfeld están diseñadas para generar altos volúmenes de aire a baja presión para operar pistolas pulverizadoras HVLP. Estas turbinas operan de manera diferente a los compresores de aire, ya que no requieren un tanque para almacenar el aire comprimido. Como el aire no se comprime, las turbinas HVLP no crean condensación en las mangueras como lo hacen con frecuencia los compresores. Por lo tanto, no tiene que preocuparse que la condensación vaya a contaminarle el material que vaya a rociar. Generalmente, el aire generado se calienta al circular por la turbina. Este aire caliente le puede ayudar a acelerar el proceso de secar la pintura cuando las condiciones climatológicas no sean ideales y para secar los componentes de la pistola pulverizadora. Las turbinas HVLP son portátiles, se pueden conectar a tomacorrientes estándares y funcionan y suenan igual que aspiradoras portátiles.

Para Desempacar

Al desempacar esta unidad, revísela con cuidado para cerciorarse de que esté en perfecto estado. Antes de usarla, cerciórese de que todas las conexiones y pernos estén bien apretados. Cada unidad se somete a pruebas antes de salir de la fábrica. No reajuste o modifique los componentes de la turbina.

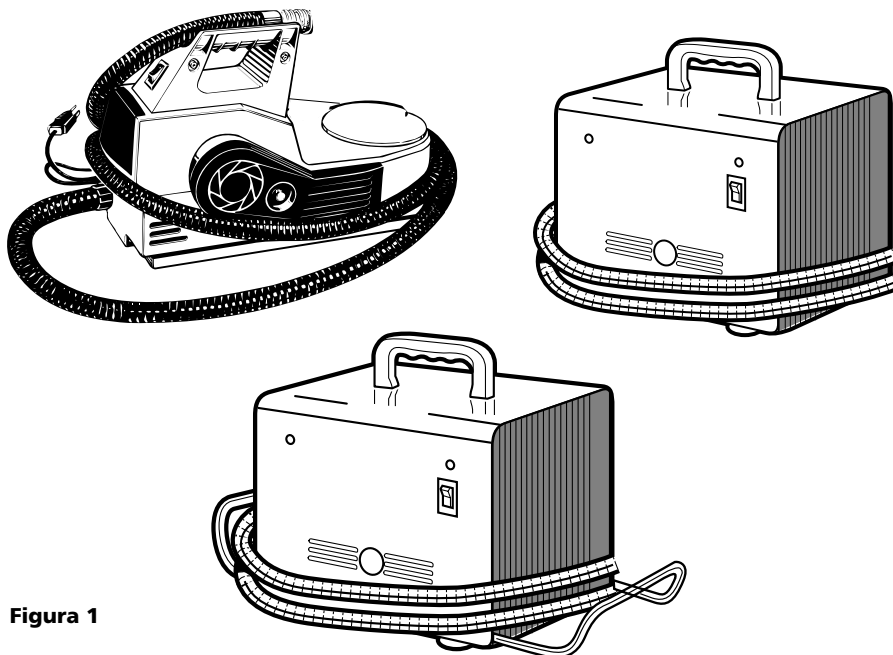


Figura 1

Specifications

MODELO HV2000

Consumo de aire .1,53 m³/min a la salida de la turbina
 Presión de trabajo0,28 bar Max.
 Tipo de motor De escobillas, tangencial, de dos etapas
 Longitud de la manguera .4,57 m (9,14m Máx.)
 Eficiencia86% Max.
 Peso6,82 Kgs
 Voltaje120V, 10.1 Amp
 Manguera cortaNo
 Compartimiento de almacenajeSí

MODELO HV2500

Consumo de aire .1,64 m³/min a la salida de la turbina
 Presión de trabajo0,35 bar Max.
 Tipo de motor De escobillas, tangencial, de dos etapas
 Longitud de la manguera 7,62 m (12,19m Máx.)
 Eficiencia86% Max.
 Peso11,8 Kgs
 Voltaje120V, 11 Amp
 Manguera cortaSí
 Compartimiento de almacenajeSí

MODELO HV3000

Consumo de aire .1,64 m³/min a la salida de la turbina
 Presión de trabajo0,41 bar Max.
 Tipo de motor De escobillas, tangencial, de tres etapas
 Longitud de la manguera 7,62 m (15,24m Máx.)
 Eficiencia86% Max.
 Peso12,7 Kgs
 Voltaje120V, 13.8 Amp
 Manguera cortaSí
 Compartimiento de almacenajeSí

COMPONENTES

- (1) Turbina
- (1) Juego adicional de agujas para materiales claros almacenada en el compartimiento de almacenamiento
- (1) Manguera con conectores rápidos
- (1) Llave - the only tool needed to assemble and clean the unit (en el compartimiento de almacenamiento)
- (1) Medidor de viscosidad (en el compartimiento de almacenamiento)
- (1) Cepillos para limpiar (en el compartimiento de almacenamiento)

RECORDATORIO: ¡Guarde su comprobante de compra con fecha para fines de la garantía! Adjúntela a este manual o archívela en lugar seguro.

Información General de Seguridad

⚠ PELIGRO Esto le indica que hay una situación inmediata que podría ocasionarle la muerte o heridas de gravedad.

⚠ ADVERTENCIA Esto le indica que hay una situación que podría ocasionarle la muerte o heridas de gravedad.

⚠ PRECAUCION Esto le indica que hay una situación que podría ocasionarle heridas no muy graves.

NOTA: Le indica cualquier información adicional sobre el producto o su uso adecuado.

Lea todas las instrucciones y medidas de seguridad antes de utilizar esta unidad.

⚠ ADVERTENCIA ¡Peligro de fuego o explosión! Los vapores producidos por solventes y pinturas pueden explotar o incendiarse ocasionándole heridas graves y daños a la propiedad.

Las pinturas y solventes que contienen **HIDROCARBUROS ALOGENADOS** pueden explotar al mezclarse con aluminio. Antes de usar un material vea el rótulo en el envase.

Cerciórese de que el área esté bien ventilada.

Evite cualquier fuente de incendios tales como chispas de electricidad estática, llamas, objetos calientes o chispas de cordones eléctricos o interruptores.

Siga las medidas de precaución de los fabricantes de materiales y solventes. Do no use líquidos con puntos de ignición menores de 100 grados Fahrenheit (38 grados Celsius).

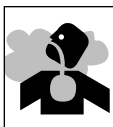
No cargue la TURBINA mientras esté rociando.

Mantenga la turbina a la distancia máxima del área que esté rociando.

Al rociar con este tipo de rociadora puede producir electricidad estática. Si va a rociar cualquier objeto que sea conductor de electricidad éste debe estar conectado a tierra para evitar que eche chispas. La rociadora está conectada a tierra a través del cordón eléctrico. Si tiene que usar un cordón de extensión, éste debe ser de 115

voltios, con tres terminales y conectado a tierra.

Vapores peligrosos: Pinturas, solventes, insecticidas y otros materiales pueden ser dañinos al inhalarlos, ocasionándole náusea severa, desmayo o envenenamiento.



Use una máscara respiratoria si hay posibilidades de que inhale vapores. Vea las instrucciones de la máscara para ver si le protege contra vapores dañinos.

Nunca apunte la pistola rociadora hacia cualquier parte del cuerpo u otra persona.

⚠ PRECAUCION Al virar la pistola ésta se puede atascar. El material reseco también puede atascar los tubos y uniones. La pistola pulverizadora no funciona si está atascada.

Mientras no la esté usando, desconéctele la manguera y coloque la pistola en una superficie sólida y nivelada para evitar que se vire.

INSTRUCCIONES PARA CONECTAR A TIERRA

Este producto debe estar conectado a tierra adecuadamente. En caso de que haya un cortocircuito, la conexión a tierra reduce el peligro de electrocutamiento ya que desvía la corriente eléctrica.

Este producto está equipado con un cordón que tiene un cable de conexión a tierra y el terminal adecuado. Enchufelo a un tomacorriente que esté instalado adecuadamente y conectado a tierra según los códigos y ordenanzas locales.

⚠ PERIGO La instalación inadecuada de la conexión a tierra puede resultar en riesgo de electrocutamiento. Si necesita reparar o cambiarle el enchufe no conecte el cable de conexión a tierra a ninguno de los terminales planos. El cable de conexión a tierra es el que tiene un forro verde (con o sin una raya amarilla).



1. Si tiene alguna pregunta sobre la instalación adecuada del enchufe con conexión a tierra, consulte a un electricista calificado (certificado).

2. No modifique el enchufe suministrado. Si el enchufe no entra en el tomacorrientes, instale un tomacorrientes nuevo.
3. Este producto está diseñado para usarlo con circuitos de 120-voltios y tiene un enchufe similar al que se muestra en la Figura 2. Cerciórese de que el producto esté conectado a un tomacorrientes que sea similar. No debe usar adaptadores con este producto.

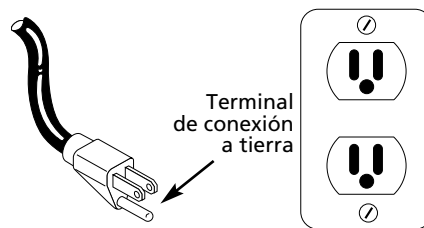


Figura 2 Enchufe para conectar a tierra

4. Si necesita usar un cordón de extensión, use solamente uno que tenga la misma configuración que el cordón de la rociadora, incluyendo el terminal (redondo) de conexión a tierra. Cerciórese de que el cordón de extensión esté enchufado en un tomacorrientes conectado a tierra adecuadamente.
5. Cuando use un cordón de extensión, cerciórese de que esté en buenas condiciones y que cumpla con las especificaciones en la tabla de abajo. Si necesita usar un cordón de extensión, debe usar los siguientes cordones (vea la Tabla 1).

Cordón de 7,6M	Calibre 10,12, o 14
Cordón de 15,2M	Calibre 10 o 12
Cordón de 30,5M	Calibre 10

Tabla 1 Requisitos de los cables de extensión

Para mayor información sobre este producto, comuníquese con el distribuidor de Campbell Hausfeld más cercano a su domicilio.

Mantenimiento

Cerciórese de que el filtro esté limpio. Los filtros sucios restringen el flujo de aire y pueden ocasionar que el motor se sobrecaliente.

IMPORTANTE: Mantenga la unidad lo más alejada posible del área de trabajo para prolongar la duración del filtro.

MODELO HV2000

1. Quitele el tornillo que sostiene la rejilla del filtro con un desarmador (vea la Figura 3)
2. Limpie el filtro con agua enjabonada y séquelo con un trapo.
3. Reemplace el filtro si tiene mucha pintura acumulada.

MODELOS HV2500 Y HV3000

1. Apriete y hale los filtros para sacarlos (vea la Figura 4)
2. Limpie el filtro con agua enjabonada y séquelo con un trapo o reemplace el filtro si tiene mucha pintura acumulada.
3. Apriete y empuje el filtro para colocarlo.

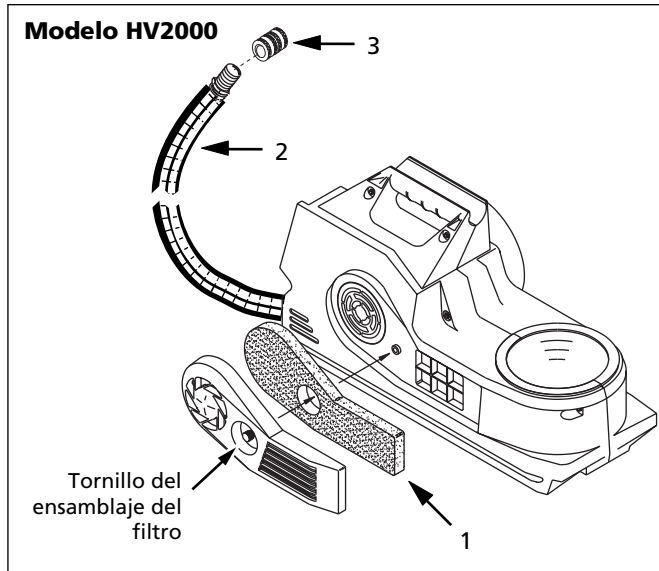


Figura 3

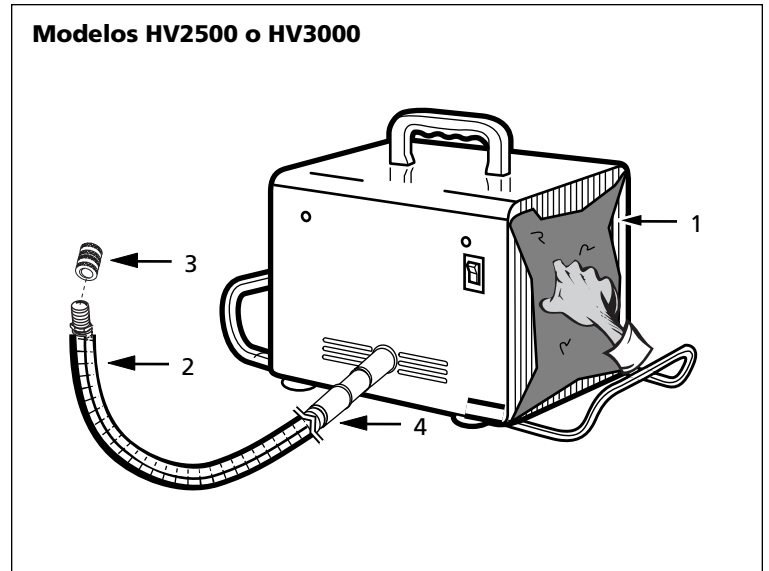


Figura 4

Lista De Repuestos

# de Ref.	Descripción	Número del Repuesto			Ctd
		HV2000	HV2500	HV3000	
1	Filtro	MP3021	—	—	1
	Paquete de filtros	—	HV012600AJ	HV012600AJ	2
2	Manguera de 4,57mts	MP3106	—	—	1
	Manguera de 7,62mts	—	HV012500AJ	HV012500AJ	1
3	Acoplador rápido	HV002200AV	HV002200AV	HV002200AV	1
4	Manguera corta	—	HA222503AV	HA222503AV	1

Accesorios

# de Ref.	Descripción	Número del Repuesto	Ctd
1	Manguera flexible de 1,52 mts (para usar con cualquier modelo)	HV012400AJ	1
2	Estuche para usos múltiples	HV7008	1

Guía de Diagnóstico de averías

Symptom	Possible Cause(s)	Corrective Acción
Flujo de aire inadecuado	1. La manguera está restringida o enrollada 2. El filtro está restringido	2. Limpie o reemplace el filtro Comuníquese con un centro autorizado de servicio
Hace ruidos extraños	El motor de la turbina está dañado	

Para mayor información sobre este producto, comuníquese con el distribuidor de Campbell Hausfeld más cercano a su domicilio.

Garantía Limitada

1. **DURACIÓN:** A partir de la fecha de compra por parte del comprador original, es como sigue: Sistemas de aplicación de pintura para servicio normal y todos los accesorios de aplicación de pintura: 1 año. Sistemas de aplicación de pintura para servicio pesado: 3 años. Sistemas de aplicación de pintura para servicio extremo: 5 años.
2. **QUIÉN EMITE ESTA GARANTÍA (EL GARANTE):** Campbell Hausfeld/Una Empresa Scott Fetzer, 100 Production Drive, Harrison, Ohio, 45030, Teléfono: 1-800-626-4401.
3. **QUIÉN RECIBE ESTA GARANTÍA (EL COMPRADOR):** El comprador original (que no sea para fines de reventa o alquiler) del producto de Campbell Hausfeld.
4. **QUÉ PRODUCTOS ESTÁN AMPARADOS POR ESTA GARANTÍA:** Todos los sistemas de aplicación de pintura no accionados por compresor, los sistemas de rociado de HVLP y los accesorios de aplicación de pintura suministrados o fabricados por el garante.
5. **QUÉ ES LO QUE CUBRE ESTA GARANTÍA:** Defectos de material y mano de obra que ocurran dentro del período de duración de la garantía. El garante también cubrirá artículos de desgaste normal por un período de 30 días a partir de la fecha de compra original, contra defectos de material y mano de obra. Estos artículos de desgaste son: filtros de HVLP, escobillas de motor, empaque de la pistola, sello del depósito de la pistola, válvula de retención de la pistola y el aro de flujo de aire de la pistola; válvula de admisión sin aire, válvula de salida, válvula de pistola, filtros, boquillas, todas las juntas y los anillos en "O".
6. **QUÉ ES LO QUE NO CUBRE ESTA GARANTÍA:**
 - A. Las garantías implícitas, incluyendo las de comercialización E IDONEIDAD PARA UN PROPÓSITO ESPECÍFICO, TIENEN UN LÍMITE DE UN AÑO A PARTIR DE LA FECHA DE COMPRA ORIGINAL, TAL COMO SE ESTABLECE EN LA "DURACIÓN". Si un producto de servicio normal se utiliza para fines comerciales o industriales, la garantía registrará por noventa (90) días a partir de la fecha de compra original. Si el producto se usa para fines de alquiler, la garantía registrará por noventa (90) días desde la fecha de compra original. Algunos estados no permiten la limitación de la duración de una garantía implícita, de modo que estas restricciones tal vez no rijan para Ud.
 - B. CUALQUIER PÉRDIDA, DAÑO O GASTO EMERGENTE, INDIRECTO O DERIVADO QUE PUEDA RESULTAR DE CUALQUIER DEFECTO, FALLA O DESPERFECTO DEL PRODUCTO DE CAMPBELL HAUSFELD. Algunos estados no permiten la exclusión o limitación de daños emergentes o consecuentes, por lo que la limitación arriba mencionada podría no regir para Ud.
 - C. Cualquier falla resultante de un accidente, mal uso, negligencia u omisión en operar el producto conforme a las instrucciones contenidas en el manual o manuales del propietario, suministrados con el producto. El accidente, mal uso del comprador, negligencia u omisión en operar los productos de acuerdo a las instrucciones incluirán también la remoción o alteración de cualquier dispositivo de seguridad. Si tales dispositivos de seguridad son removidos o alterados, esta garantía no tendrá validez.
 - D. Ajustes normales que se explican en el manual del propietario suministrado con el producto.
 - E. Artículos o servicios normalmente requeridos para mantener el producto: filtros de HVLP, escobillas de motor, empaque de la pistola, sello del depósito de la pistola, válvula de retención de la pistola, y el aro de flujo de aire de la pistola; válvula de admisión sin aire, válvula de salida, válvula de pistola, filtros, boquillas, todas las juntas y los anillos en "O" o cualquier otra pieza consumible no indicada específicamente, serán cubiertos solamente durante 30 días desde la fecha de compra original.
7. **RESPONSABILIDADES DEL GARANTE EN VIRTUD DE ESTA GARANTÍA:** Reparar o reemplazar, a opción del garante, los productos o componentes que sean defectuosos, hayan funcionado mal o que no estén conformes dentro del período de garantía.
8. **RESPONSABILIDADES DEL COMPRADOR EN VIRTUD DE ESTA GARANTÍA:**
 - A. Proporcionar prueba de fecha de la compra y registros de mantenimiento.
 - B. Entregar o embarcar el producto de Campbell Hausfeld al Centro de Servicio Autorizado de Campbell Hausfeld más cercano. El costo de fletes, si lo hubiera, será sufragado por el comprador.
 - C. Ejercer cuidado razonable en la operación y mantenimiento del producto descrito en el (los) manual(es) del propietario.
9. **CUÁNDO EFECTUARÁ EL GARANTE LA REPARACIÓN O REEMPLAZO AL AMPARO DE ESTA GARANTÍA:** La reparación o el reemplazo se programarán de acuerdo al flujo normal de trabajo en el centro de servicio, dependiendo de la disponibilidad de piezas de repuesto.

Esta garantía limitada es válida sólo en los EE.UU., Canadá y México y otorga derechos legales específicos, pudiendo también asistirle otros derechos, los cuales varían de un estado a otro o de un país a otro.

Free Manuals Download Website

<http://myh66.com>

<http://usermanuals.us>

<http://www.somanuals.com>

<http://www.4manuals.cc>

<http://www.manual-lib.com>

<http://www.404manual.com>

<http://www.luxmanual.com>

<http://aubethermostatmanual.com>

Golf course search by state

<http://golfingnear.com>

Email search by domain

<http://emailbydomain.com>

Auto manuals search

<http://auto.somanuals.com>

TV manuals search

<http://tv.somanuals.com>