

Please read and save these instructions. Read carefully before attempting to assemble, install, operate or maintain the product described. Protect yourself and others by observing all safety information. Failure to comply with instructions could result in personal injury and/or property damage! Retain instructions for future reference.



HVLP Spray Gun

Attention: Campbell Hausfeld recommends that servicing other than that shown in the instruction manual should be performed by an authorized service facility.

Description

High volume, low pressure (HVLP) paint sprayers are designed to deliver a fine finish with low overspray. The sprayer can be used to apply various acrylics, stains, sealers, lacquers, latexes, and primers. This unit can be used for painting cabinets, furniture, machinery, equipment, walls and trim work. Sprayers of this type are not recommended for automotive final coat. This portable unit is an ideal alternative to conventional spray guns. The HVLP's high transfer efficiency provides professional results with much less material waste and environmental contamination than other conventional spray painting systems.

Unpacking

When unpacking the sprayer, inspect carefully for any damage that may have occurred during transit. Make sure any loose fittings, bolts, etc., are tightened before putting sprayer into service. Each sprayer has been tested before shipment.

NOTE: The packing nut may need additional adjustment due to the packing material relaxing during shipment.

The fluid used for testing the sprayer has been drained, but some of this fluid will remain in the spray gun. This fluid should be flushed from the spray gun to prevent contamination of the coating material. Use a solvent compatible with the coating to be sprayed.

Table Of Contents

Description	1
Unpacking	1
General Safety Information	1
Setup	2-3
Operation	4
Maintenance	4-5
Troubleshooting	6
Warranty	10

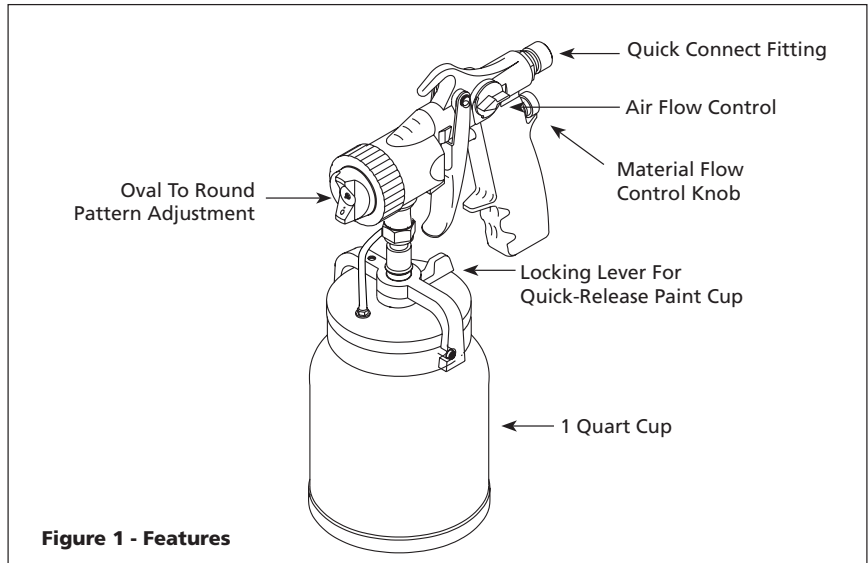


Figure 1 - Features

General Safety

⚠ DANGER Danger means a hazard that will cause death or serious injury if the warning is ignored.

⚠ WARNING Warning means a hazard that could cause death or serious injury if the warning is ignored.

⚠ CAUTION Caution means a hazard that may cause minor or moderate injury if the warning is ignored. It also may mean a hazard that will only cause damage to property.

⚠ NOTICE Notice means any additional information pertaining to the product or its proper usage.

Read all instructions and safety precautions before operating the unit.

⚠ WARNING Risk of fire or explosion! Solvent and paint fumes can explode or ignite, causing severe injury and property damage.



Paints and solvents containing HALOGENATED HYDROCARBONS can react explosively with aluminum. Always check the product's label before using these materials in the unit.

Make sure the room is well-ventilated.

Avoid all ignition sources, such as static electricity sparks, open flames, hot objects, sparks from connecting and disconnecting power cords, and working light switches.

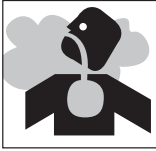
Follow the material and solvent manufacturers' safety precautions and warnings. Do not use liquids with flash points less than 100 degrees Fahrenheit (38 degrees Celsius).

Do not carry TURBINE while spraying.

Keep the turbine at the maximum distance from the spraying area.

Static electricity can be produced by HVLP spraying. Make sure any electrically conductive object being sprayed is grounded to prevent static sparking. The sprayer is grounded through the electric cord. If an extension cord is necessary, the cord must be a grounded, 115 volt, three wire type cord.

General Safety (continued)



Hazardous vapors: Paints, solvents, insecticides, and other materials may be harmful if inhaled, causing severe nausea, fainting, or poisoning.

Use a respirator or mask whenever there is a chance that vapors may be inhaled. Read all instructions with the mask to ensure that the mask will provide the necessary protection against the inhalation of harmful vapors.

NEVER point the spray gun at any part of the body, or at anyone else.

CAUTION

Tipping the gun causes the gun to clog. Dried spray material also clogs the pressure delivery tube and fittings. The spray gun does not function when clogging occurs.

When not in use, be sure to disconnect the hose and place the gun on a solid, level surface to avoid tipping.

Components

(1) Gun - fully assembled, with all purpose needle/nozzle installed

Setup

NEEDLE AND NOZZLE ASSEMBLY

1. Use Chart 1 to determine the proper size nozzle and needle for the material to be applied. The all purpose needle and nozzle are installed at the factory.

IMPORTANT: The needle and nozzle are a matched assembly. It is very important that both the needle and nozzle are correctly selected and installed. The needle/nozzle kits are identified by groove rings machined into both the needle, and the nozzle. Make sure that the number of rings in the nozzle and the needle match. Failure to match these two components properly results in poor finish quality.

2. The thin material needle and nozzle have a single groove ring as shown in Figure 2 below.

SPRAYING MATERIAL	NEEDLE/NOZZLE
Acrylics	All purpose or Thin
Stains	Thin
Sealers	Thin
Lacquers	Thin
Latex Paint	All purpose
Oil Base Paint	All purpose or Thick

Chart 1 - Material Needle/Nozzle Combination

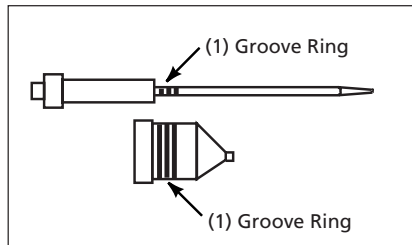


Figure 2 - Thin Material Needle And Nozzle Kit

3. The all purpose material needle and nozzle have three groove rings as shown in Figure 3 below.

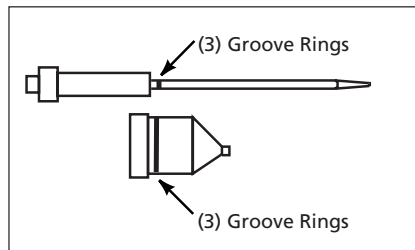


Figure 3 - All Purpose Material Needle And Nozzle Kit

4. The thick material needle and nozzle have 2 groove rings as shown in Figure 4 below.

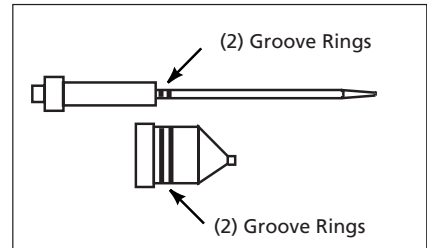


Figure 4 - Thick Material Needle Kit

Note: The all-purpose material needle kit is included with the unit. The thick and thin material needle kits are not included, however these kits can be purchased from the retail outlet that sold the unit or call 1-800-626-4401.

5. Remove the retaining ring, air cap, nozzle, material control knob, spring, and needle assembly (Fig. 5).

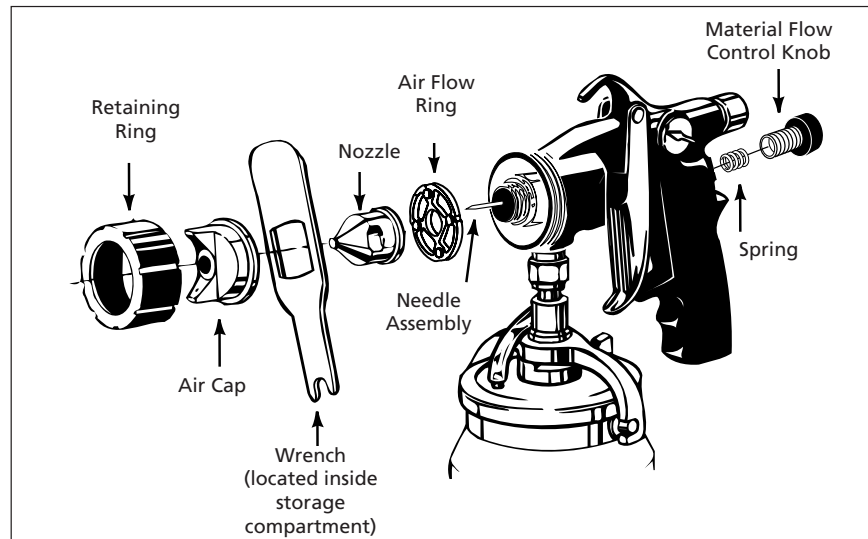


Figure 5 - Needle/Nozzle Installation

Setup (continued)

6. Install the appropriate needle/nozzle assembly selected for the material to be sprayed (Fig. 2, 3 & 4).
7. Reassemble the needle assembly, spring, material control knob, nozzle, air cap, and retainer ring.

ADJUSTING PACKING

Occasionally the packing nut, located forward of the trigger assembly, will require adjustment. The packing nut will also require adjustment when the needle/nozzle assembly is changed (Figure 6).

1. Turn the material flow control knob clockwise at least 3/4 of the way in.
2. Tighten the packing nut with the wrench by turning the nut clockwise until the needle will not return to the closed position when the trigger is released. Do not overtighten the packing nut. To properly adjust the packing, the nut should be tightened no further than is required to stop the needle from returning. (See Figure 6).

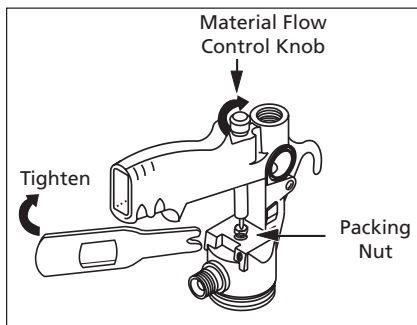


Figure 6 - Adjusting The Packing Nut

3. Loosen the packing nut (approx. 1/4 turn) until the needle returns freely to the closed position.

Preparation

PREPARING TO SPRAY

Some manufacturers specify that their materials should not be thinned. In general, these instructions apply only when a brush or roller is used. It may be necessary to thin these materials if they are to be sprayed. Check with the paint supplier for specific details when purchasing the material to be sprayed.

Be sure to stir the material thoroughly after adding a thinning agent, and before checking the viscosity. Failure to properly mix the material results in a poor finish.

NOTICE: Some latex finishes are very thick and require the greatest amount of thinning and mixing. A latex paint conditioner can be added to the paint to improve spray performance (available at most home centers).

1. Strain paint before spraying. Unstrained paint may affect material flow and spray pattern. When spraying thin materials such as lacquer or stains, consult with the material supplier for the proper strainer mesh number.
2. Pour material into the paint cup. Fill the material cup only 1/2 to 3/4 full if thinning of the material is required. (See Figure 7). Refer to the material chart below for proper thinning instructions.

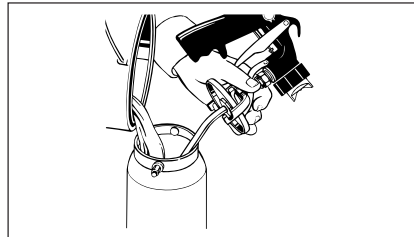


Figure 7 - Filling The Paint Cup

NOTICE Follow the material manufacturer's recommendation for the proper thinning solvent.

3. Using the following procedure, check the viscosity of the material before locking the gun onto the material cup (Figure 8).

NOTICE The viscosity stick is located in the storage compartment.

- a. Dip the viscosity stick into the material. As the viscosity stick is removed from the material, the material will initially run off the stick as a stream. The material stream will break up and begin to drip after running off the stick for a short time.

- b. Estimate the time interval between each of the first three drips of material. The time between the first three drips of material will vary depending on the thickness or the "viscosity" of the material.
- c. The material is adequately thinned if the first three drips from the viscosity stick are about one second apart.
- d. As a general rule, if the time between drips is more than one second, the material is too thick. Add thinning agent, stir thoroughly and repeat the above procedure until the proper viscosity is attained.

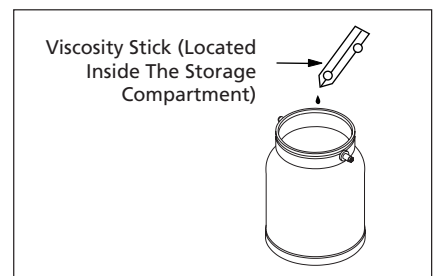


Figure 8 - Viscosity Stick

4. To tighten and lock the cup, place the retainer arms securely around the retaining pins on the paint cup.
5. Move the locking lever clockwise to the locked position. (See Figure 9).

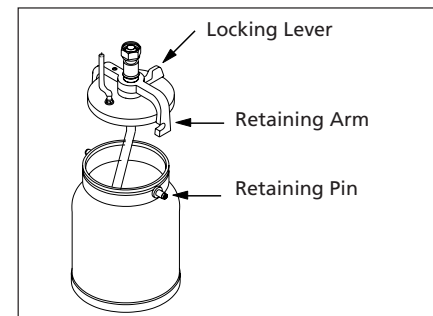


Figure 9 - Locking The Cup

MATERIAL	PERCENT REDUCED
Acrylics.....	Follow Manufacturer's Instructions
Stains	No Thinning Required
Clear Sealers.....	No Thinning Required
Lacquers	Follow Manufacturer's Instructions
Oil-Base Paint.....	10 - 40%
Latex Paints.....	15 - 20%

Preparation (continued)

- Attach the air hose quick-connect fitting to the gun.

NOTICE The quick-connect fitting outer sleeve is spring loaded and must be pulled back to attach or remove it from the gun (See Figure 10).

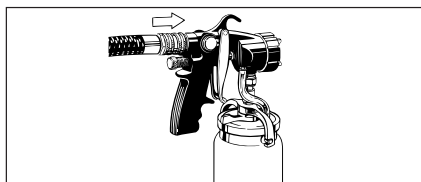


Figure 10 - Attaching The Air Hose

Operation

Always practice first. Make the gun adjustments on a test surface such as cardboard before spraying the project.

- Keep the gun 4" - 9" from, and parallel to the surface of the object being sprayed. (See Figure 11). If the material delivery is adjusted for a small narrow pattern, it may be necessary to move as close as 2" from the work surface.

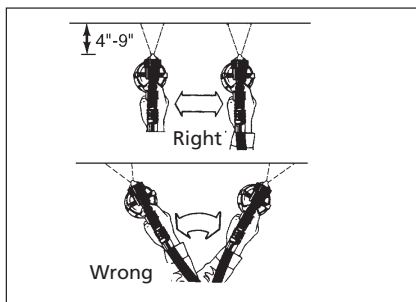


Figure 11 - Painting Strokes

- Move the gun in a smooth even stroke. Begin the stroke before pulling the trigger and continue the stroke after releasing the trigger.
- For best results overlap each stroke by 25 to 50%.
- To adjust the spray pattern "type", turn the air cap to the desired pattern position (See Figure 12).

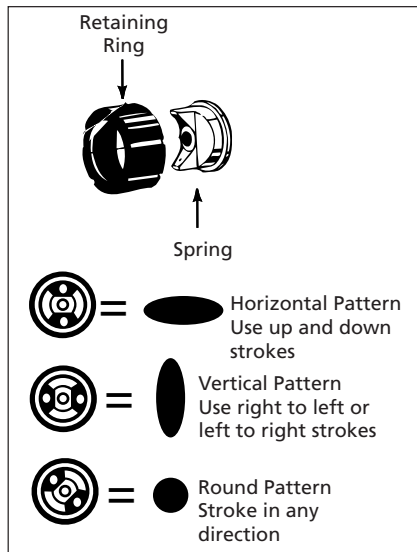


Figure 12 - Adjusting The Spray Patterns "Type"

- To adjust the material flow, turn the material control knob clockwise to decrease and counterclockwise to increase. (See Figure 13).

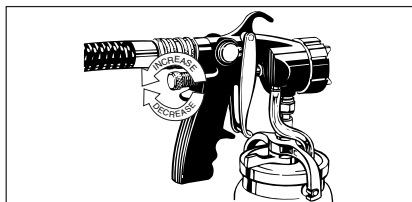


Figure 13 - Adjusting The Material Flow

- For fine pattern adjustment, turn the air flow control knob clockwise to decrease and counterclockwise to increase air flow (See Figure 14).



Figure 14 - Fine Pattern Adjustment

Reducing the air flow also reduces overspray.

NOTICE The turbine air hose can be used to blow-dry those areas that are too heavily coated, or slow in drying.

The air from the turbine is warm as a result of normal operation. This can affect the finish quality on hot dry days due to premature drying of some coatings such as lacquer. Retarding agents can be added to the material to resolve this condition. Consult the material supplier for the proper retarding agent, and mixing procedures.

Maintenance

CLEANING

WARNING Make sure the room is well ventilated when using solvents. Dispose of all materials properly, in accordance with all local regulations.

- Remove the material control knob, spring, and needle. (Pull the trigger to help remove the needle). **NOTICE:** Removing the needle prior to removing the nozzle will prevent needle damage.
- Using the supplied wrench, unscrew and remove the retainer ring, nozzle, and airflow ring (See Figure 15).

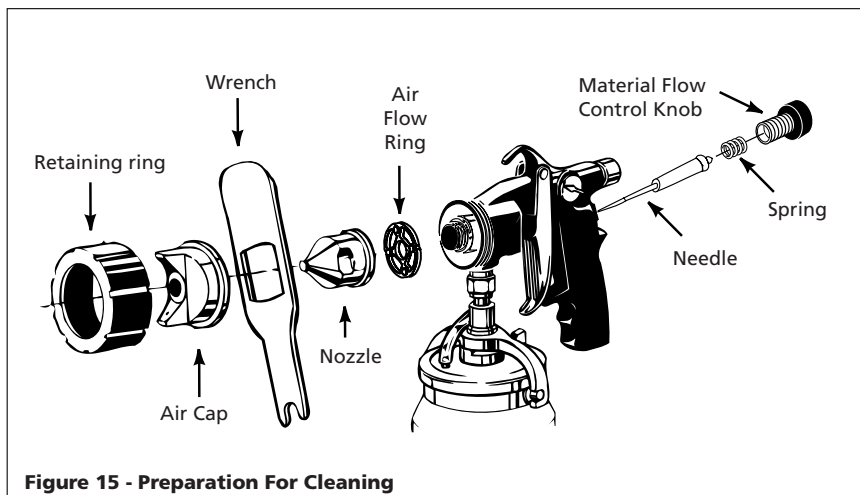


Figure 15 - Preparation For Cleaning

Maintenance (continued)

- Place the parts and the paint cup in a bucket or other suitable container. Soak the parts in a suitable solvent, or in soap and water if latex was used (See Figure 16). To clean the gun, flush a suitable cleaning solvent through the material tube until the solution begins to clear. Repeat the procedure from the nozzle end of the gun (See Figure 16).

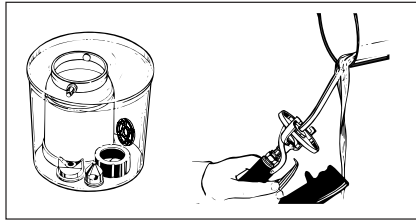


Figure 16 - Cleaning The Spray Gun Parts

- Use the brush (saturated with solvent) between flushes to clean the material tube and the nozzle (See Figure 17).

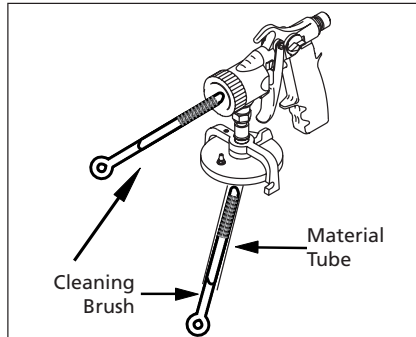


Figure 17 - Cleaning The Material Tube

- Reinstall the components in reverse order of disassembly (See Figure 18). Always install nozzle before installing the needle to prevent needle damage.
- When the gun and all parts are thoroughly cleaned, use the turbine hose to dry the parts and blow the passages dry. Thorough drying of the gun and all components prior to reassembly prevents coating contamination during the next operation of the unit, and inhibits oxidation of internal gun components (See Figure 18).

NOTICE *The four raised knobs on the air flow ring must be facing forward (toward the nozzle) when assembled. (See Figure 18).*

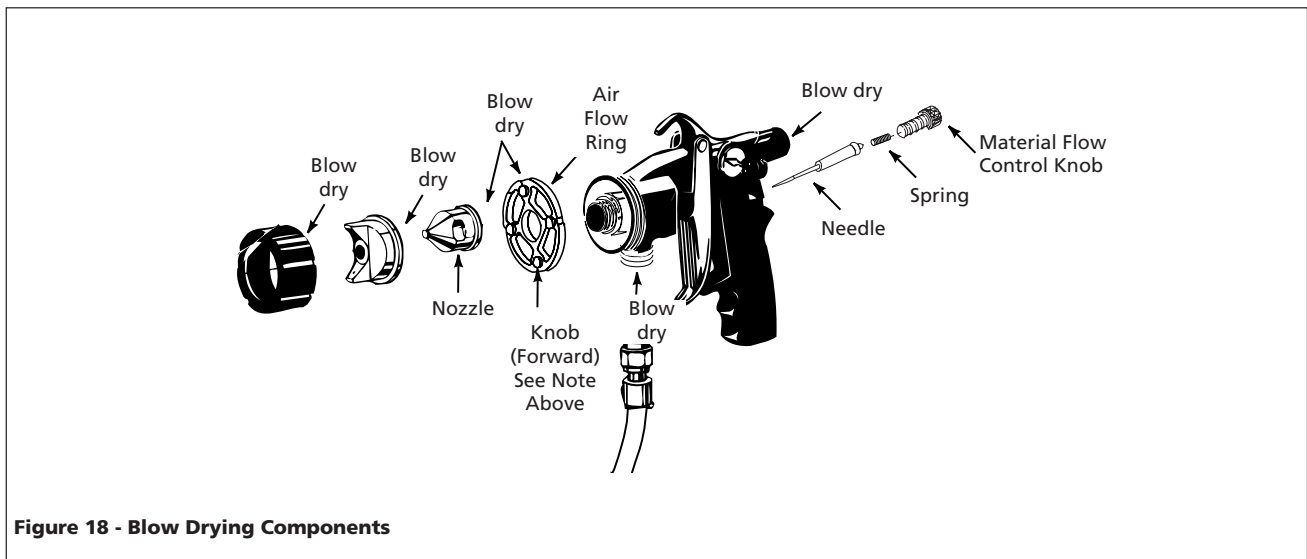


Figure 18 - Blow Drying Components

Troubleshooting Chart

Symptom	Possible Cause(s)	Corrective Action
No material flow	<ol style="list-style-type: none"> 1. Clogged nozzle/air cap 2. Clogged cup pressure tube or fittings 3. Clogged gun 4. Clogged material tube 5. Cup seal leaking 6. Material not properly mixed, or improperly filtered 	<ol style="list-style-type: none"> 1. Disassemble and clean 2. Disassemble and clean (a straight pin can be used to clean fittings) 3. Disassemble and clean 4. Disassemble and clean gun, and check valve 5. Inspect cup seal, cup cap, and clean or replace as necessary 6. Strain paint
Slow material flow	<ol style="list-style-type: none"> 1. Material too thick 2. Improper material adjustment 3. Wrong needle/nozzle 4. Air filter clogged 5. Material not properly mixed, or improperly filtered 6. Material too cold 	<ol style="list-style-type: none"> 1. Clear material tube, gun, fittings, and thin the material 2. Adjust material control knob 3. Refer to material application chart for correct needle/nozzle 4. Remove and replace air filter 5. Strain paint 6. Raise material temp. to 60°F (15°C)
Material leak	<ol style="list-style-type: none"> 1. Cup or gun damaged 2. Loose packing 3. Worn or damaged packing 4. Worn or damaged cup seal 5. Loose cup fittings 6. Loose nozzle 7. Wrong needle/nozzle assembly 8. Damaged needle 9. Loose material control knob 10. Cup seal leaking 	<ol style="list-style-type: none"> 1. Check cup gun and replace damaged parts 2. Adjust packing nut 3. Remove and replace 4. Remove and replace 5. Tighten 6. Tighten 7. Refer to material application chart for correct needle/nozzle 8. Replace 9. Properly adjust by turning clockwise 10. Clean and dry before use
Spray will not shut off	<ol style="list-style-type: none"> 1. Dirty needle 2. Packing too tight 3. Loose material control knob 	<ol style="list-style-type: none"> 1. Clean or replace needle 2. Adjust packing nut 3. Tighten
Pulsating spray	<ol style="list-style-type: none"> 1. Cup seal or check valve leaking 2. Packing improperly adjusted 3. Loose fittings on cup or gun 4. Loose air cap retainer ring 5. Loose nozzle 6. Damaged air flow ring 7. Material not properly mixed, or improperly filtered 	<ol style="list-style-type: none"> 1. Disassemble and clean 2. Adjust packing nut, or replace packing 3. Tighten 4. Tighten 5. Tighten 6. Replace 7. Strain paint
Excessive overspray	<ol style="list-style-type: none"> 1. Material too thin 2. Excessive air flow 3. Wrong needle/nozzle 4. Gun too far from project 5. Spray blown by wind 6. Excessive material flow 7. Material not properly mixed, or improperly filtered 	<ol style="list-style-type: none"> 1. Check material viscosity (add non-thinned material) 2. Adjust air flow 3. Wrong needle/nozzle assembly 4. Move gun closer to surface 5. Move to an area without wind 6. Adjust material flow control knob 7. Strain paint

Troubleshooting Chart

Symptom	Possible Cause(s)	Corrective Action
Spray not uniform (spitting)	<ol style="list-style-type: none"> 1. Material too thick 2. Wrong needle/nozzle assembly 3. Cup seal leaking 4. Loose packing 5. Material not properly mixed, or improperly filtered 	<ol style="list-style-type: none"> 1. Check material viscosity (Thin per instructions) 2. Change to proper needle/nozzle 3. Tighten cup, replace seal or check valve 4. Adjust or replace packing 5. Strain paint
Poor pattern	<ol style="list-style-type: none"> 1. Material buildup on nozzle or air cap 2. Worn nozzle/needle 3. Clogged air cap 4. Material not properly mixed, or improperly filtered 	<ol style="list-style-type: none"> 1. Clean nozzle and air cap 2. Replace 3. Clean 4. Strain paint
Overheating	<ol style="list-style-type: none"> 1. Clogged filter 	<ol style="list-style-type: none"> 1. Replace
Poor air flow	<ol style="list-style-type: none"> 1. Clogged filter 2. Air flow control improperly adjusted 	<ol style="list-style-type: none"> 1. Replace filter 2. Adjust air flow control
Spray tip clogs	<ol style="list-style-type: none"> 1. Improper material flow adjustment 2. Cup seal leaking 3. Wrong needle/nozzle 	<ol style="list-style-type: none"> 1. Adjust material control 2. Replace cup seal 3. Change to proper needle/nozzle

Troubleshooting Chart - Finish Quality

Symptom	Possible Cause(s)	Corrective Action
Orange Peel (Rough rolling appearance similar to an actual orange peeling)	<ol style="list-style-type: none"> 1. Material drying too fast 2. Gun too far from surface 3. Material too thick 	<ol style="list-style-type: none"> 1. Use a slower solvent, or add a retarding agent 2. Move gun closer to surface 3. Thin material per thinning instructions
Runs and sags	<ol style="list-style-type: none"> 1. Material too thin 2. Moving gun too slow 3. Excessive material flow 4. Gun too close to surface 	<ol style="list-style-type: none"> 1. Add material to increase thickness 2. Move gun more quickly 3. Turn material control knob clockwise to reduce flow 4. Move gun further from surface
Pin-holing and solvent pops	<ol style="list-style-type: none"> 1. Trapped solvents 2. Pigment settling 3. System contamination 	<ol style="list-style-type: none"> 1. Apply material in lighter coats, allowing solvents time to evaporate 2. Possible bad material 3. Thoroughly clean all parts
Fish eye	<ol style="list-style-type: none"> 1. Possible silicone contamination 	<ol style="list-style-type: none"> 1. Use solvent to clean all parts and projects
Blistering	<ol style="list-style-type: none"> 1. Moisture in/on surface 2. Incompatible top coats or under-coats 	<ol style="list-style-type: none"> 1. Dry surface 2. Make sure coatings are compatible
Lumpy, coarse surface	<ol style="list-style-type: none"> 1. Dirt on surface 	<ol style="list-style-type: none"> 1. Thoroughly clean surface
Mottled surface finish	<ol style="list-style-type: none"> 1. Too much thinner 2. Poor spray technique 	<ol style="list-style-type: none"> 1. Reduce thinner 2. Refer to "Operation" for spraying instructions

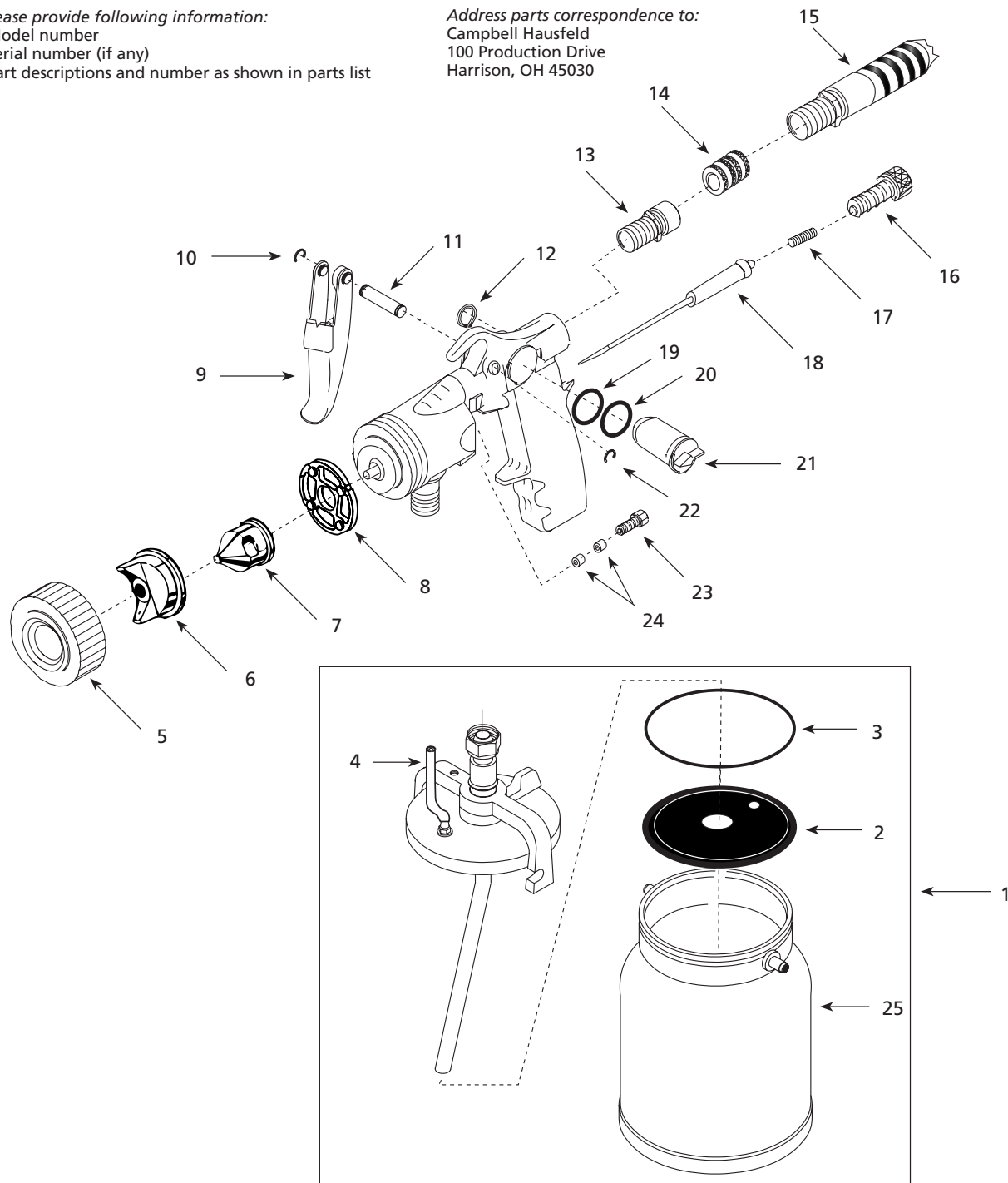
NOTICE:

- Weather conditions can cause unsatisfactory results when spraying some coatings.
- High humidity prolongs set, and cure times.
- High temperatures decrease set, and cure times.
- Cold temperatures extend set, and cure times.
- Variations in temperature, and humidity can cause variations in finish quality.
- Coating manufacturers can recommend additives to resolve some of these problems, and should be contacted for assistance with particular problem resolutions.

For Replacement Parts, or technical assistance, Call 1-800-626-4401

Please provide following information:
-Model number
-Serial number (if any)
-Part descriptions and number as shown in parts list

Address parts correspondence to:
Campbell Hausfeld
100 Production Drive
Harrison, OH 45030



Replacement Parts List

Ref No.	Description	Part Number	Qty
1	Canister assembly (as shown)	SK205800AJ	1
2	■ Check valve	HV004400AV	1
3	■ Canister seal kit (Includes 3)	SK206401AJ	1
4	■ Pressure tube	SK105100AJ	1
5	Retainer ring	HV000901AV	1
6	Air cap kit	HV011000SV	1
7	Nozzle	See chart below	1
7	Air flow ring	HV001201AV	1
9	Trigger	◆ *	1
10	E-ring	◆	1
11	Trigger pin	◆	1
12	Retaining ring	▲	1
13	* Male quick connect fitting	HV003500AV	1
14	Quick connect fitting	HV002200AV	1
15	Hose	MP310600AJ	1
16	Material flow control knob	HV003400SV	1
17	Spring	HV002900AV	1
18	Needle	See chart below	1
19	O-ring	▲	1
20	O-ring	▲	1
21	Air control valve	▲ *	1
22	E-ring	◆	1
23	* Packing nut	HV003200SV	1
24	* Packing	HV002800SV	2
25	Canister	DH077900AV	1

Replacement Parts Kit

Ref No.	Description	Part Number	Qty
	■ Canister assembly (Includes items 2-4)	SK205800AJ	1
	◆ Trigger assembly (Includes items 9-11 & 22)	SK206100AJ	1
	▲ Air flow control knob assembly (Includes items 12, 19-21)	SK206200AJ	1
	* Gun body assembly (as shown, includes 9-13, & 16-24)	SK600000AJ	1

Note: Air Cap Kit includes #5, 6 & 8

Air Cap only (guns with Campbell Hausfeld embossed in handle) HV000801AV

Needle/Nozzle Set	CH Embossed Gun	Smooth Handle Gun
Thin Material	HV7005	MP3018
All-Purpose	HV7004	MP3017
Thick Material	HV7006	MP3019

Limited Warranty

1. **DURATION:** From the date of purchase by the original purchaser as follows: Standard Duty Paint Application Systems and all Paint Application Accessories - 1 year, Serious Duty Paint Application Systems - 3 years, Extreme Duty Paint Application Systems - 5 years.
2. **WHO GIVES THIS WARRANTY (WARRANTOR):** Campbell Hausfeld/A Scott Fetzer Company, 100 Production Drive, Harrison, Ohio, 45030, Telephone: 1-800-626-4401.
3. **WHO RECEIVES THIS WARRANTY (PURCHASER):** The original purchaser (other than for purposes of resale or rental) of the Campbell Hausfeld Product.
4. **WHAT PRODUCTS ARE COVERED BY THIS WARRANTY:** All non-compressor driven paint application systems, HVLP spraying systems, and paint application accessories supplied or manufactured by the Warrantor.
5. **WHAT IS COVERED UNDER THIS WARRANTY:** Defects in material and workmanship which occur within the duration of the warranty period. Warrantor will also cover normal wear items for a period of thirty days from the date of original purchase against defects in material and workmanship. These wear items are: HVLP-filters, motor brushes, gun packing, gun canister seal, gun check valve and gun air flow ring; Airless-inlet valve, outlet valve, gun valve, filters, tips, all seals and o-rings.
6. **WHAT IS NOT COVERED UNDER THIS WARRANTY:**
 - A. Implied warranties, including those of merchantability and FITNESS FOR A PARTICULAR PURPOSE ARE LIMITED FROM THE DATE OF ORIGINAL PURCHASE AS STATED IN THE DURATION. If standard duty product is used for commercial or industrial purposes, the warranty will apply for ninety (90) days from the date of original purchase. If product is used for rental purposes, the warranty will apply for ninety (90) days from the date of original purchase. Some states do not allow limitation on how long an implied warranty lasts, so the above limitations may not apply to you.
 - B. ANY INCIDENTAL, INDIRECT, OR CONSEQUENTIAL LOSS, DAMAGE, OR EXPENSE THAT MAY RESULT FROM ANY DEFECT, FAILURE, OR MALFUNCTION OF THE CAMPBELL HAUSFELD PRODUCT. Some states do not allow the exclusion or limitation of incidental or consequential damages, so the above limitation or exclusion may not apply to you.
 - C. Any failure that results from an accident, purchaser's abuse, neglect or failure to operate products in accordance with instructions provided in the owner's manual(s) supplied with product. Accident, purchaser's abuse, neglect or failure to operate products in accordance with instructions shall also include the removal or alteration of any safety devices. If such safety devices are removed or altered, this warranty is void.
 - D. Normal adjustments which are explained in the owner's manual(s) provided with the product.
 - E. Items or services that are normally required to maintain the product: HVLP-filters, motor brushes, gun packing, gun canister seal, gun check valve and gun air flow ring; Airless-inlet valve, outlet valve, gun valve, filters, tips, all seals and o-rings., or any other expendable part not specifically listed, will only be covered for thirty days from date of original purchase.
7. **RESPONSIBILITIES OF WARRANTOR UNDER THIS WARRANTY:** Repair or replace, at Warrantor's option, products or components which are defective, have malfunctioned and/or failed to conform within duration of the warranty period.
8. **RESPONSIBILITIES OF PURCHASER UNDER THIS WARRANTY:**
 - A. Provide dated proof of purchase and maintenance records.
 - B. Deliver or ship the Campbell Hausfeld product or component to the nearest Campbell Hausfeld Authorized Service Center. Freight costs, if any, must be borne by the purchaser.
 - C. Use reasonable care in the operation and maintenance of the products as described in the owner's manual(s).
9. **WHEN WARRANTOR WILL PERFORM REPAIR OR REPLACEMENT UNDER THIS WARRANTY:**
 - A. Repair or replacement will be scheduled and serviced according to the normal work flow at the servicing location, and depending on the availability of replacement parts.
 - B. If the purchaser does not receive satisfactory results from the Authorized Service Center, the purchaser should contact Campbell Hausfeld (see paragraph 2)

This Limited Warranty applies in the U.S. and Canada only and gives you specific legal rights. You may also have other rights which vary from state to state, or country to country.

S'il vous plaît lire et conserver ces instructions. Lire attentivement avant de monter, installer, utiliser ou procéder à l'entretien du produit décrit. Se protéger ainsi que les autres en observant toutes les instructions de sécurité, sinon, il y a risque de blessure et/ou dégâts matériels. Conserver ces instructions comme référence.



Pistolet Pulvérisateur HVLP

Attention: Campbell Hausfeld recommande que l'entretien autre que celui décrit dans le manuel d'instruction devrait être performé par un centre de service autorisé.

Description

Les pulvérisateurs de haut volume, basse pression (HVLP) sont conçus pour fournir un fini fin avec un niveau bas de sur-pulvérisation. Le pulvérisateur peut être utilisé pour l'application d'une variété d'acryliques, teintures, enduits, laques, latex, et apprêts. Ce modèle peut être utilisé pour peindre les meubles, machines, équipement, murs et travail de moulure. Les pulvérisateurs de ce genre ne sont pas recommandés pour la couche de fini d'automobiles. Ce modèle portable est un alternatif idéal aux pistolets pulvérisateurs traditionnels. L'efficacité supérieure de transfert du HVLP fournit un résultat professionnel avec beaucoup moins de gaspillage de matériel et de contamination à l'environnement que les autres systèmes de pulvérisation de peinture traditionnels.

Déballage

Lors du déballage de ce produit, l'examiner soigneusement pour rechercher toute trace de dommage susceptible de s'être produit en cours de transport. Serrer tous raccords, boulons, etc., qui sont desserrés avant de mettre le pulvérisateur en service. Chaque pulvérisateur a été éprouvé avant d'être expédié. Ne pas rajuster ou modifier les pièces de la turbine.

REMARQUE : L'écrou de garniture peut nécessiter un ajustement additionnel

Table de Matières

Description	11
Déballage	11
Généralités sur la Sécurité	11
Montage	12-13
Fonctionnement	14
Entretien	14-15
Dépannage	16
Garantie	20

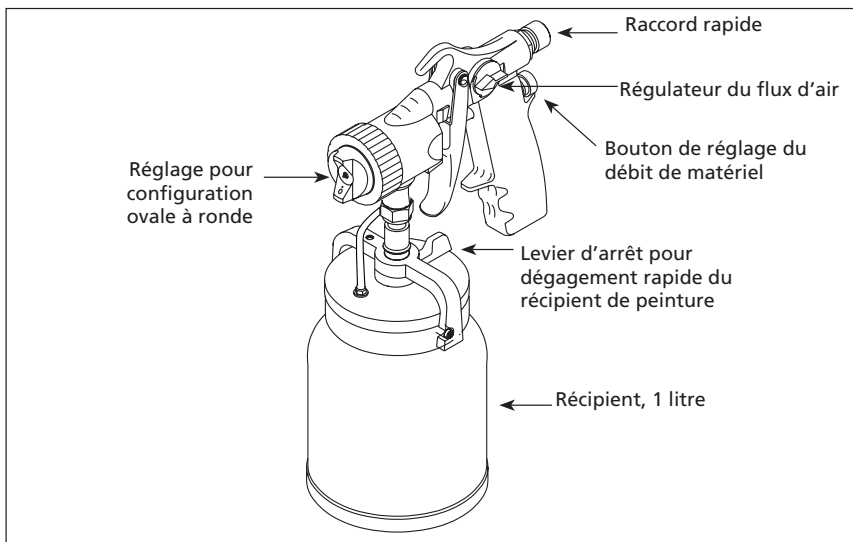


Figure 1 - Caractéristiques

causé par la relaxation du matériel de garniture pendant l'expédition. Le fluide utilisé pour l'épreuve du pulvérisateur s'est presque tout fait écoulé. Ce fluide doit être purgé du pistolet pour éviter la contamination de l'enduit. Utiliser un solvant convenable au matériel qui sera pulvérisé.

Généralités Sur La Sécurité

⚠ DANGER Danger indique : une situation hasardeuse imminente qui peut avoir comme résultat, perte de vie ou blessure grave.

⚠ AVERTISSEMENT Avertissement indique : risque potentiel de situation hasardeuse qui peut avoir comme résultat, perte de vie ou blessure grave.

⚠ ATTENTION Attention indique : risque de situation hasardeuse qui peut avoir comme résultat, blessure (de sévérité petite ou moyenne).

⚠ AVIS Avis indique : de l'information importante. Manque de suivre cette information peut avoir comme résultat, dommage à l'équipement.

Lire toutes instructions et précautions de sécurité avant de faire fonctionner le modèle.

⚠ AVERTISSEMENT

Risque de feu ou d'explosion ! Vapeurs de solvants ou de peinture peuvent s'éclater ou s'allumer, et causer des blessures graves et dommage matériel.



Les peintures et solvants qui contiennent les HYDROCARBURES HALOGÈNES peuvent réagir en explosion avec l'aluminium. Toujours vérifier l'étiquette du produit avant d'utiliser ces matériaux dans le modèle.

Assurer que la chambre soit bien ventilée.

Éviter toute sources d'allumage, telles que les étincelles d'électricité statique, flammes ouvertes, objets chauds, étincelles des cordons d'alimentation qui se branchent et se débranchent, et interrupteurs d'éclairage de travail.

Suivre les précautions de sécurité et avertissements des fabricants du matériel et du solvant. Ne pas utiliser les liquides qui ont un point d'inflammabilité de moins de 100 degrés Fahrenheit (38 degrés Celsius).

Ne pas transporter la TURBINE pendant la pulvérisation.

Généralités Sur La Sécurité (suite)

Garder la turbine à la distance maximum de l'endroit de pulvérisation.

La pulvérisation HVLP peut produire l'électricité statique. Assurer que n'importe quel objet pour pulvérisation qui a une conductivité électrique soit mis à la terre pour éviter l'étincellement statique. Le pulvérisateur est mis à la terre à travers du cordon électrique. Si un cordon prolongateur est nécessaire, le cordon doit être de type mis à la terre, de 115 volts, à trois fils.



Les vapeurs hasardeuses : Peintures, solvants, insecticides, et autres matériaux peuvent être nocifs si aspirés et peuvent résulter en nausée sévère, l'évanouissement, ou l'empoisonnement.

Utiliser un respirateur ou masque s'il y a une chance que les vapeurs peuvent être aspirés. Lire toutes les instructions du masque pour assurer que le masque fournira la protection nécessaire contre l'aspiration des vapeurs nocifs.

NE JAMAIS diriger le pistolet pulvérisateur à votre corps ou vers une autre personne.

ATTENTION

L'inclinaison du pistolet peut causer l'obstruction du pistolet. Le matériel de pulvérisation sec peut aussi causer l'obstruction du tuyau et des raccords. Le pistolet ne fonctionnera pas si obstrué.

Si le modèle n'est pas en usage, débrancher le tuyau et placer le pistolet sur une surface solide et égale pour éviter le bousculage.

Pièces Détachées

(1) Pistolet - Complètement assemblé avec aiguille/buse universelle

Montage

MONTAGE D'AIGUILLE ET BUSE

1. Utiliser la carte 2 pour établir la taille de buse et d'aiguille convenable au matériel utilisé. L'aiguille et buse universelle est installée à l'usine.

IMPORTANT: L'aiguille et la buse forment un ensemble. Il est très important que l'aiguille et la buse sont choisies et installées correctement. Les nécessaires d'aiguilles/buses sont identifiés par les bagues rainurées usinées dans l'aiguille et la buse pareillement. Assurer que le nombre de bagues dans la buse et dans l'aiguille correspondent, sinon, le résultat sera de pauvre qualité.

MATÉRIEL UTILISÉ

Acryliques
Teintures
Enduits
Laques
Latex
Peinture À L'Huile

AIGUILLE/BUSE

Universelle ou mince
Mince
Mince
Mince Peinture
Universelle
Universelle ou épais

Carte 1- Combinaison d'aiguille/buse

2. L'aiguille et buse pour matériel mince ont une seule bague rainurée, indiquée sur la Figure 2 ci-dessous.

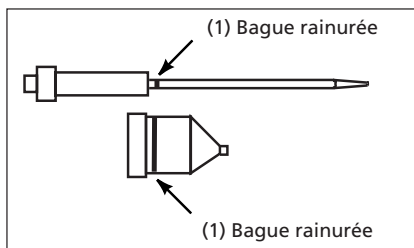


Figure 2 - Nécessaire d'aiguille et buse pour matériel mince

3. L'aiguille et la buse à tous usages ont trois rainures en anneaux tel qu'indiqué ci-dessous dans la Figure 3.

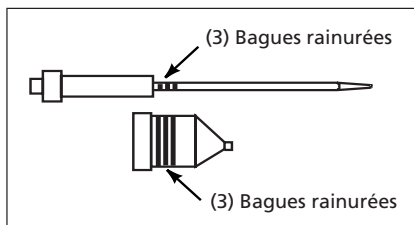


Figure 3 - Nécessaire d'aiguille et buse universelle

4. L'aiguille et buse pour matériel épais ont 2 bagues rainurées, indiquées sur la Figure 4 ci-dessous.

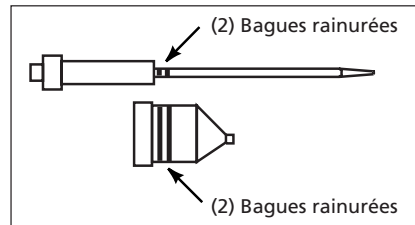


Fig. 4 - Néc. d'aiguille pour matériel épais

REMARQUE : La trousse de l'aiguille de matériel polyvalente est incluse avec l'unité. Les trousse de l'aiguille pour matériel gros et fin ne sont pas incluses ; par contre, ces trousse peuvent être achetées chez le détaillant qui a vendu l'unité, ou en appelant le numéro 1-800-626-4401.

5. Enlever la bague de retenue, le bouchon d'air, la buse, le bouton de réglage du matériel, le ressort et le montage d'aiguille (Fig. 5).
6. Installer le montage d'aiguille/buse convenable au matériel utilisé (Figures 2, 3 & 4).

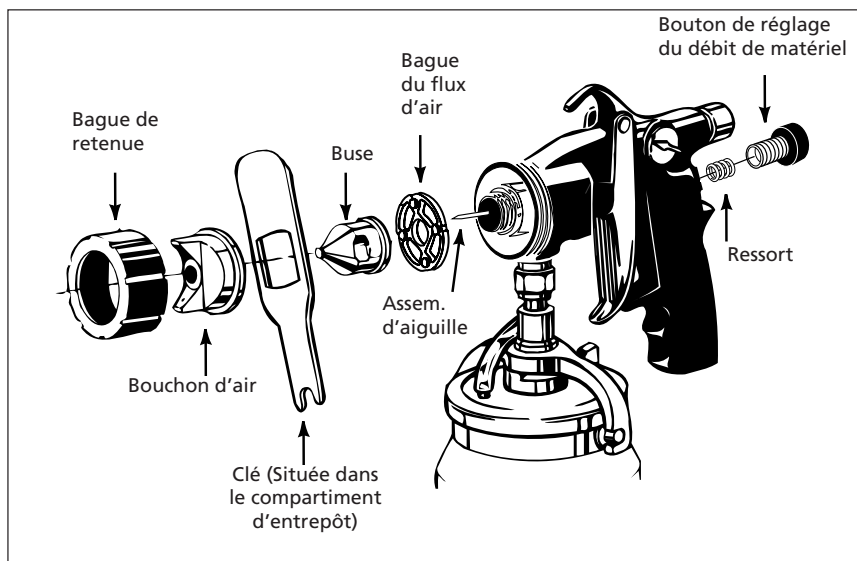


Figure 5 - Installation d'aiguille/buse

Montage (suite)

- Rassembler le montage d'aiguille, ressort, bouton de réglage du matériel, buse, bouchon d'air et bague de retenue.

AJUSTEMENT DE GARNITURE

De temps à temps, il est nécessaire d'ajuster l'écrou de garniture situé en avant du montage de la détente. Additionnellement, l'écrou de garniture nécessite un ajustement si le montage d'aiguille/buse est changé (Fig. 6).

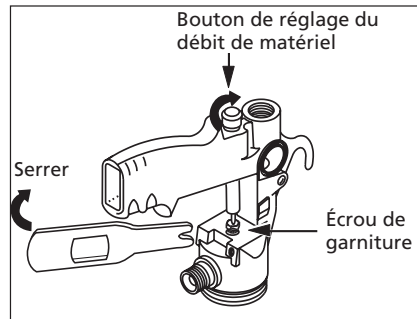


Figure 6 - Ajustement de l'écrou de garniture

- Tourner le bouton de réglage du débit de matériel au sens des aiguilles d'une montre au moins de 3/4.
- Serrer l'écrou de garniture avec la clé en tournant l'écrou dans la direction des aiguilles d'une montre jusqu'à ce que l'aiguille ne retourne pas à la position fermée quand la détente est dégagée. Ne pas trop serrer l'écrou de garniture. Afin de bien régler le garnissage, ne serrer pas l'écrou plus que nécessaire pour empêcher que l'aiguille se retourne (Voir Fig. 6).
- Désserrer l'écrou de garniture (approx. 1/4 de tour) jusqu'à ce que l'aiguille retourne librement à la position fermée.

Préparation

PRÉPARATION POUR LA PULVÉRISATION

Quelques fabricants spécifient que leurs matériels ne devraient pas être dilués. Généralement, ces instructions se rapportent seulement à l'utilisation d'une brosse ou d'un rouleau. Ces matériaux peuvent nécessiter la dilution pour la pulvérisation. Vérifier avec le fournisseur de peinture lorsque vous achetez le matériel pour pulvérisation pour des renseignements plus précis.

Il est nécessaire de bien agiter le matériel après avoir introduit un agent de dilution et avant de vérifier sa viscosité, sinon, le résultat sera un fini de pauvre qualité.

REMARQUE: Quelques produits latex sont très épais et exigent le plus grand degré de dilution et d'agitation. Un conditionneur de peinture latex peut être introduit à la peinture pour améliorer le fonctionnement de la pulvérisation (disponible à la plupart de centres pour la maison).

- Tamiser la peinture avant de pulvériser. La peinture qui n'est pas tamisée peut affecter le débit de matériel et la configuration de pulvérisation. En utilisant les matériaux minces comme les laques ou les teintures, consulter avec le fournisseur du matériel pour le numéro de maille du tamis.
- Verser le matériel dans le récipient de peinture. Remplir seulement 1/2 à 3/4 de plein si la dilution est exigée. (Voir Figure 7). Se référer à la carte de matériel ci-dessous pour instructions de dilution.

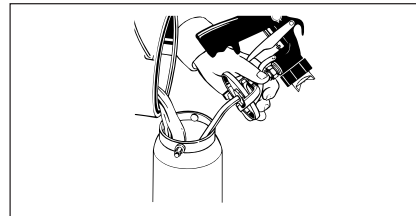


Figure 7 - Remplir le récipient de peinture

AVIS

Suivre la recommandation du fabricant pour le solvant de dilution convenable.

- En utilisant la procédure suivante, vérifier la viscosité du matériel avant de serrer le pistolet sur le récipient de matériel (Figure 8).

AVIS

La tige de viscosité est située dans le compartiment d'entrepôt

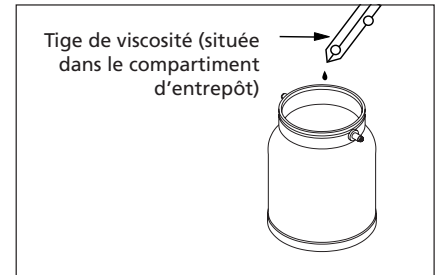


Figure 8 - Tige de viscosité

- Immerger la tige de viscosité dans la matériel. En enlevant la tige de viscosité, le matériel va premièrement s'écouler de la tige à flots. Bientôt, le flot de matériel commencera à se dissoudre et à s'égoutter de la tige.
- Estimer l'intervalle de temps entre chacune des trois premières gouttes du matériel. Le temps entre les premières trois gouttes dépend sur l'épaisseur ou la "viscosité" du matériel.
- Le matériel est dilué correctement si les trois premières gouttes de la tige de viscosité sont espacées d'à peu près une seconde.
- Généralement, si le temps entre les gouttes est plus qu'une seconde, le matériel est trop épais. Ajouter un agent de dilution, l'agiter bien et répéter la procédure ci-dessus jusqu'à ce que la viscosité désirée est atteinte.

MATÉRIEL

PERCENT RÉDUIT

Acryliques.....	Suivre les instructions du fabricant
Teintures.....	Aucune dilution exigée
Enduits clairs.....	Aucune dilution exigée
Laques.....	Suivre les instructions du fabricant
Peinture à l'huile	10 - 40%
Peinture latex.....	15 - 20%

Préparation (suite)

4. Pour serrer et fermer le récipient, placer les bras de retenues sûrement autour des goupilles de retenues sur la tasse de peinture.
5. Diriger le levier de serrage dans le sens des aiguilles d'une montre dans la position fermée (Voir Fig. 9).

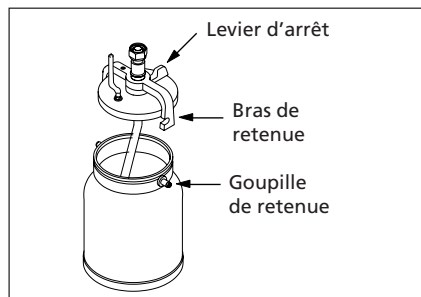


Figure 9 - Serrer le récipient

6. Attacher le raccord-rapide du tuyau d'air au pistolet.

AVIS

Le manchon extérieur du raccord-rapide est chargé à ressorts et doit être retiré pour l'attacher ou l'enlever du pistolet (Voir Fig. 10).

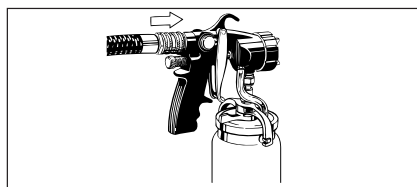


Figure 10 - Attacher le tuyau d'air

Fonctionnement

Toujours pratiquer en premier lieu. Faire les ajustements au pistolet sur une surface d'essai tel q'un morceau de carton avant de pulvériser votre projet.

1. Garder le pistolet à une distance de 10 à 23cm et parallèle à l'objet pulvérisé. (Voir Figure 11.) Si le débit du matériel est ajusté pour une configuration petite et étroite, il serait peut-être nécessaire de s'avancer aussi près que 5cm de la surface de travail.
2. Diriger le pistolet dans un coup lisse et égal. Commencer le coup avant de tirer sur la gâchette et continuer le coup après que la gâchette est lâchée.

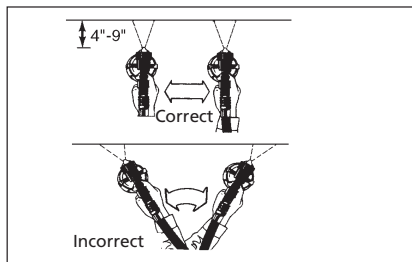


Figure 11 - Coups de peinture

3. Pour un meilleur résultat, chevaucher chaque coup par 25 to 50%.
4. Pour ajuster le "type" de configuration, tourner le bouchon d'air à la position désirée. (Voir Figure 12).

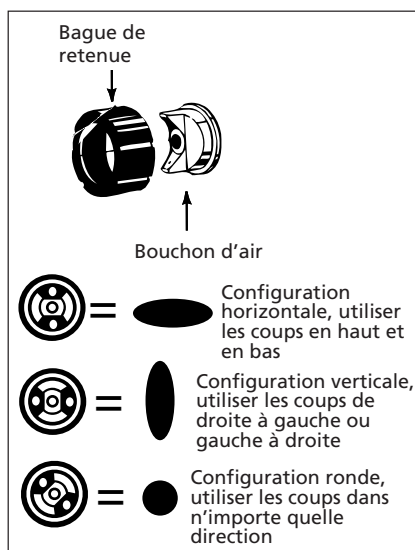


Figure 12 - Ajustement du "Type" de configuration de pulvérisation

5. Pour ajuster le débit du matériel, tourner le bouton de débit du matériel au sens des aiguilles d'une montre pour réduire, et au sens contraire de celui des aiguilles d'une montre pour augmenter. (Voir Fig. 13).

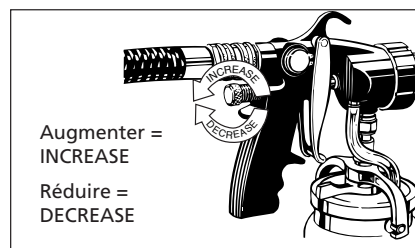


Fig. 13 - Ajustement du débt de matériel

6. Pour un ajustement de configuration fin, tourner le bouton de réglage du flux d'air au sens des aiguilles d'une montre pour réduire et au sens contraire des aiguilles d'une montre pour augmenter le flux (Voir Fig. 14). La réduction du flux d'air aide à réduire la sur-pulvérisation.

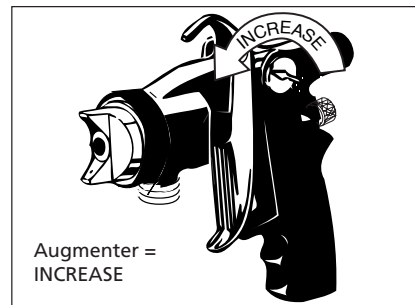


Fig 14 - Ajustement pour configuration fin

AVIS

Le tuyau d'air de la turbine peut être utilisé pour sécher les endroits qui ont une couche épaisse de peinture, ou qui séchent lentement.

L'air de la turbine est tiède pendant le fonctionnement normale. Ceci peut avoir un effet sur la qualité du fini pendant les journées chaudes et sèches à cause du séchage prématuré de certains matériaux comme les laques. Un agent retardateur peut être ajouté au matériel pour résoudre le problème. Consulter le fournisseur du matériel pour l'agent retardateur convenable et pour la procédure de mélange.

Entretien

NETTOYAGE

AVERTISSEMENT Assurer que la

chambre est bien ventilée pendant l'utilisation des solvants.

Mettre au rebut, tous matériaux conformément aux réglementations locales.

1. Enlever le bouton de réglage du matériel, le ressort et l'aiguille. (Tirer la gâchette pour aider à enlever l'aiguille). REMARQUE: Pour éviter le dommage à l'aiguille, l'enlever avant d'enlever la buse.
2. En utilisant la clé fournie, dévisser et enlever la bague de retenue, buse et bague de flux d'air (Voir Fig. 15).
3. Placer les pièces et la tasse pour peinture dans un seau ou autre récipient convenable. Faire tremper les pièces dans un solvant ou dans un mélange de savon et eau pour la peinture latex (Voir Figure 16).

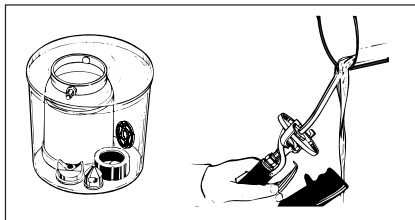


Fig. 16 - Nettoyage des pièces du pistolet pulvérisateur

Pour nettoyer le pistolet, rincer un solvant convenable travers du tuyau de matériel jusqu'à ce que la solution s'éclaircie. Répéter la procédure au bout de la buse du pistolet (Voir Figure 16).

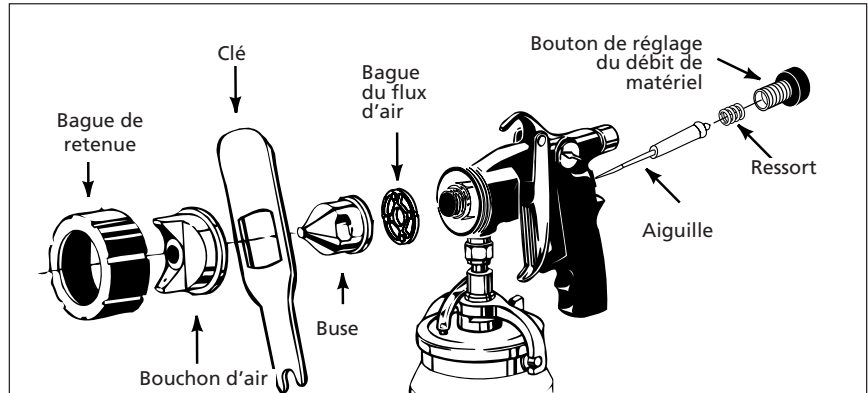


Figure 15 - Préparation pour le nettoyage

4. Utiliser la brosse (imbibée avec du solvant) entre les rincages pour nettoyer le tuyau de matériel et la buse (Voir Figure 17).

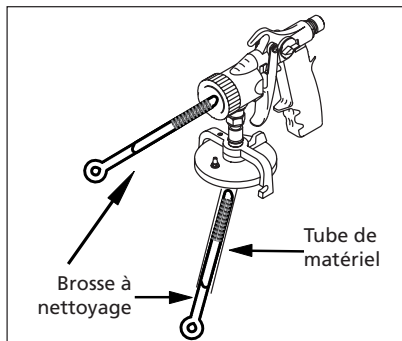


Fig. 17 - Nettoyage du tuyau de matériel

5. Installer à nouveau, toutes les pièces en ordre inversée du démontage (Voir Figure 18). Toujours installer la buse avant d'installer l'aiguille pour éviter le dommage à l'aiguille.
6. Une fois que le pistolet et toutes les pièces sont complètement nettoyés, utiliser le tuyau de turbine pour faire sécher les pièces et leurs passages avant le remontage. Ceci empêche la contamination du matériel utilisé pendant le prochaine usage du modèle et empêche l'oxydation des pièces internes du pistolet (Voir Figure 18).

AVIS

Les quatre boutons élevés sur la bague de flux d'air doivent être montés face en avant (vers la buse). (Voir Figure 18).

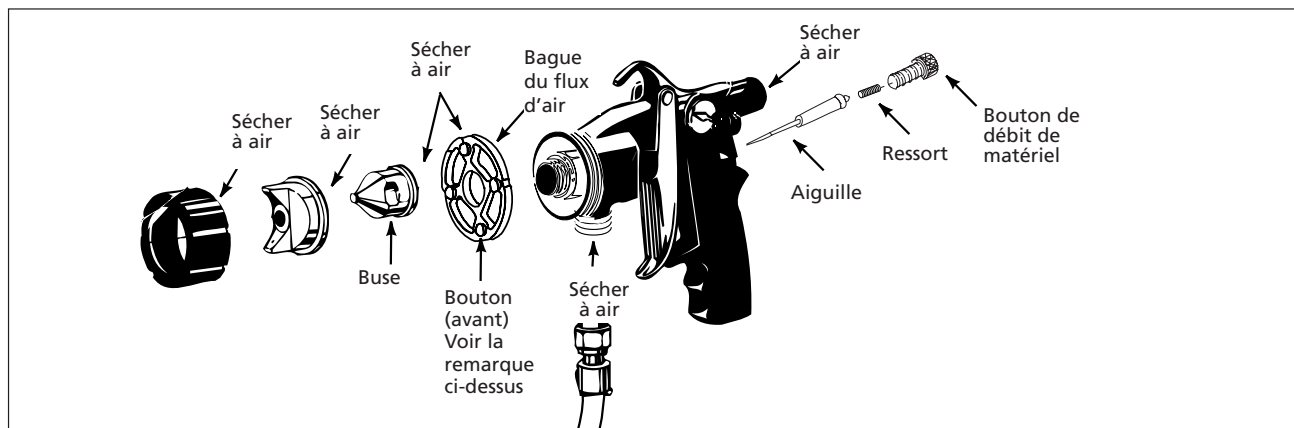


Figure 18 - Pièces pour sécher à air

Guide de dépannage

Symptôme	Cause(s) Possible(s)	Mesures Correctives
Manque de débit de matériel	<ol style="list-style-type: none"> 1. Buse/bouchon d'air obstrué 2. Tuyau de pression de la tasse ou raccords obstrués 3. Pistolet obstrué 4. Tuyau de matériel obstrué 5. Joint étanche du récipient obstrué 6. Matériel pas bien mélangé ou filtré 	<ol style="list-style-type: none"> 1. Démonter et nettoyer 2. Démonter et nettoyer (une épingle droite peut être utilisée pour nettoyer les raccords) 3. Démonter et nettoyer 4. Démonter et nettoyer le pistolet et clapet 5. Inspecter le joint étanche du récipient, bouchon du récipient, et nettoyer ou remplacer si nécessaire 6. Tamiser la peinture
Débit de matériel lent	<ol style="list-style-type: none"> 1. Matériel trop épais 2. Ajustement incorrect du matériel 3. Mauvaise taille d'aiguille/buse 4. Filtre d'air obstrué 5. Matériel qui n'est pas bien mélangé ou filtré 6. Matériel trop froid 	<ol style="list-style-type: none"> 1. Déboucher le tuyau de matériel, pistolet, raccords, et diluer le matériel 2. Ajuster le bouton de réglage de matériel 3. Se référer à la carte d'application de matériel pour la bonne taille d'aiguille/buse 4. Enlever et remplacer le filtre d'air 5. Tamiser la peinture 6. Élever la temp. du matériel à 60°F (15°C)
Fuite de matériel	<ol style="list-style-type: none"> 1. Récipient ou pistolet endommagé 2. Garnissage délogé 3. Garnissage usé ou endommagé 4. Joint étanche du récipient usé ou endommagé 5. Raccords du récipient délogés 6. Buse délogée 7. Mauvaise assemblage d'aiguille/buse 8. Aiguille endommagé 9. Bouton de réglage du matériel délogé 10. Joint étanche du récipient qui coule 	<ol style="list-style-type: none"> 1. Examiner du récipient et le pistolet et remplacer les pièces endommagés 2. Ajuster l'écrou de garnissage 3. Enlever et remplacer 4. Enlever et remplacer 5. Serrer 6. Serrer 7. Se référer à la carte d'application de matériel pour la taille d'aiguille/buse 8. Remplacer 9. Ajuster en tournant au sens des aiguilles d'une montre 10. Nettoyer et sécher avant d'utiliser
Pulvérisation ne s'arrête pas	<ol style="list-style-type: none"> 1. Aiguille sale 2. Garnissage trop serré 3. Bouton de réglage du matériel délogé 	<ol style="list-style-type: none"> 1. Nettoyer ou remplacer l'aiguille 2. Ajuster l'écrou de garnissage 3. Serrer
Pulvérisation qui palpète	<ol style="list-style-type: none"> 1. Joint étanche ou clapet qui coule 2. Garnissage qui n'est pas bien ajusté 3. Raccords délogés sur tasse ou pistolet 4. Bague de retenue sur bouchon d'air délogé 5. Buse délogée 6. Bague de flux d'air endommagée 7. Matériel pas bien mélangé ou filtré 	<ol style="list-style-type: none"> 1. Démonter et nettoyer 2. Ajuster l'écrou de garnissage, ou remplacer le garnissage 3. Serrer 4. Serrer 5. Serrer 6. Remplacer 7. Tamiser la peinture
Sur-pulvérisation excessive	<ol style="list-style-type: none"> 1. Matériel trop mince 2. Flux d'air excessif 3. Mauvaise taille d'aiguille/buse 4. Pistolet trop loin du projet 5. Vapeurs dispersés par le vent 6. Débit de matériel excessif 7. Matériel pas bien mélangé ou filtré 	<ol style="list-style-type: none"> 1. Vérifier la viscosité du matériel (ajouter du matériel non-dilué) 2. Ajuster le flux d'air 3. Mauvaise assemblage d'aiguille/buse 4. Placer le pistolet plus proche de la surface 5. Déménager à un endroit sans vent 6. Ajuster le débit de matériel 7. Tamiser la peinture

Guide De Dépannage

Symptôme	Cause(s) Possible(s)	Mesures Correctives
Pulvérisation pas uniforme (crachement)	1. Matériel trop épais 2. Assemblage d'aiguille/buse incorrect 3. Joint étanche du récipient qui coule 4. Garnissage dégagé 5. Matériel pas bien mélangé ou filtré	1. Vérifier la viscosité du matériel (Diluer selon les instructions) 2. Changer l'aiguille/buse 3. Serrer le récipient, remplacer le joint étanche ou clapet 4. Ajuster ou remplacer le garnissage 5. Tamiser la peinture
Configuration inférieure	1. Accumulation de matériel sur la buse ou bouchon d'air 2. Aiguille/buse usées 3. Bouchon d'air obstrué 4. Matériel pas bien mélangé ou filtré	1. Nettoyer la buse et le bouchon d'air 2. Remplacer 3. Nettoyer 4. Tamiser la peinture
Surchauffage	1. Filtre obstrué	1. Remplacer
Flux d'air inférieur	1. Filtre obstrué 2. Défaut d'ajustage du flux d'air	1. Remplacer le filtre 2. Ajuster le réglage du flux d'air
Obstruction de la buse	1. Défaut d'ajustage du débit de matériel 2. Joint étanche du récipient qui coule 3. Aiguille/buse incorrecte	1. Ajuster le réglage du matériel 2. Remplacer le joint étanche du récipient 3. Changer l'aiguille/buse

Guide de dépannage - Qualité du fini

Symptôme	Cause(s) Possible(s)	Mesures Correctives
Peau d'orange (Apparence rugueuse et ondulée comme une pelure d'orange)	1. Matériel qui sèche trop vite 2. Pistolet trop loin de la surface 3. Matériel trop épais	1. Utiliser un solvant plus lent ou ajouter un agent retardateur 2. Rapprocher le pistolet de la surface 3. Diluer le matériel selon les instructions de dilution
S'écoule et se fléchit	1. Matériel trop mince 2. Mouvement du pistolet trop lent 3. Débit du matériel excessif 4. Pistolet trop proche de la surface	1. Ajouter du matériel pour épaissir 2. Diriger le pistolet plus vite 3. Tourner le bouton de réglage du matériel au sens des aiguilles d'une montre pour réduire le débit 4. Éloigner le pistolet de la surface
Trous d'épingles et éclats de solvant	1. Solvants empochés 2. Dépôt du pigment 3. Contamination du système	1. Pour permettre l'évaporation du solvant, appliquer le matériel en couches plus minces 2. Possibilité de matériel gâché 3. Nettoyer toutes pièces complètement
Oeil de poisson	1. Possibilité de contamination de silicone	1. Utiliser du solvant pour nettoyer toutes pièces et projets
Boursoufflure	1. L'humidité dans/sur la surface 2. Couches de finition et de fondation incompatibles	1. Sécher la surface 2. Assurer que les couches sont compatibles
Surface inégale et rugueuse	1. Saleté sur la surface	1. Nettoyer la surface complètement
Fini de surface tacheté	1. Trop de diluent 2. Manque de technique de pulvérisation	1. Réduire le diluent 2. Se référer à la section "Fonctionnement" pour instructions de pulvérisation

REMARQUE

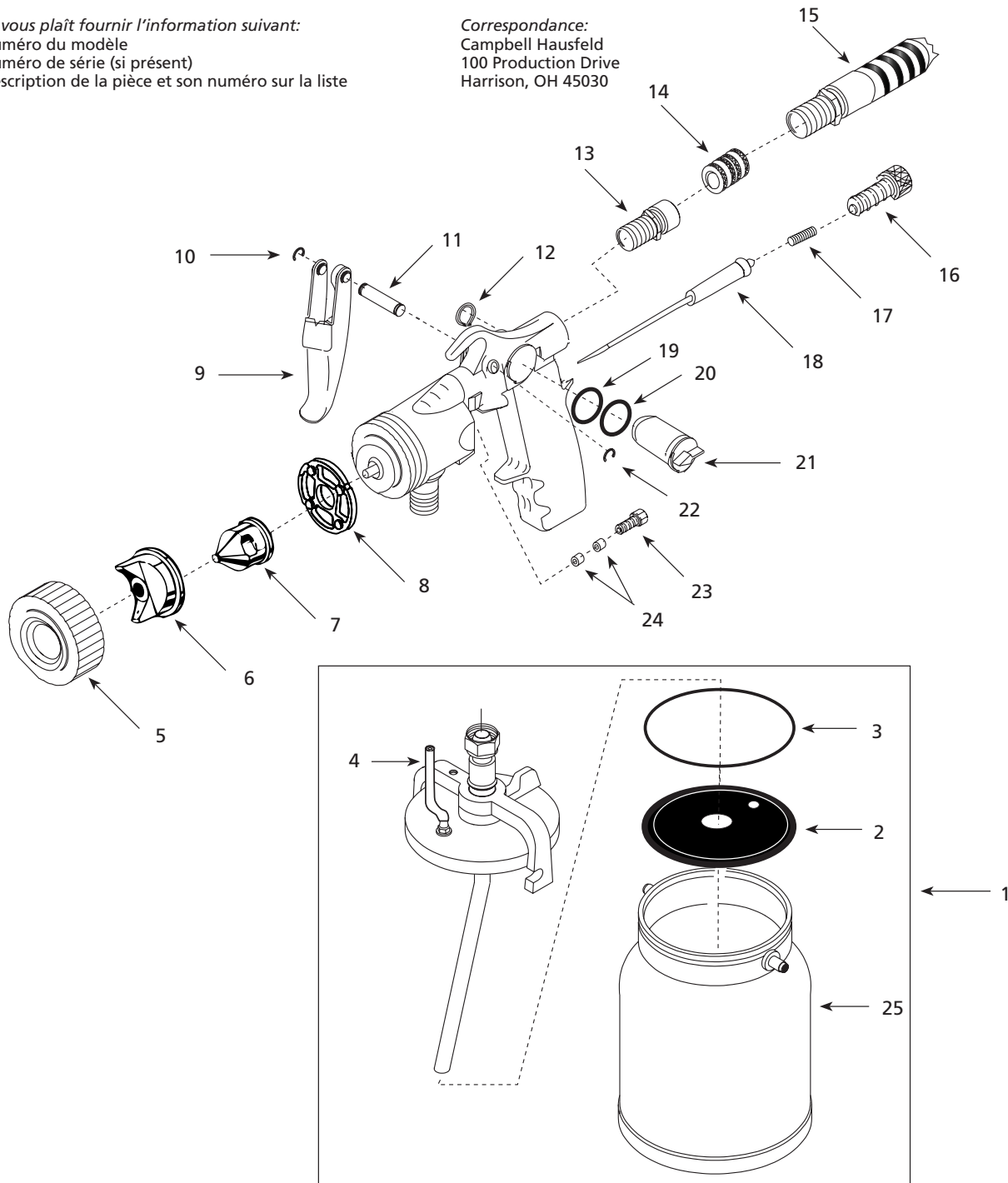
- Les conditions météorologiques peuvent causer un pauvre résultat en utilisant certains produits (enduits)
- L'humidité haute sert à prolonger le temps de prise et séchage.
- Les températures élevées servent à réduire le temps de prise et séchage.
- Les températures froides prolongent le temps de prise et séchage.
- Variations en température et humidité peuvent causer des variations dans la qualité du fini.
- Se référer aux instructions du fabricant pour l'assistance avec la résolution de certaines problèmes et pour la recommandation des additifs pour la résolution de certaines problèmes.

Pour pièces de rechange, ou l'assistance technique, composer le 1-800-626-4401

S'il vous plaît fournir l'information suivant:

- Numéro du modèle
- Numéro de série (si présent)
- Description de la pièce et son numéro sur la liste

Correspondance:
Campbell Hausfeld
100 Production Drive
Harrison, OH 45030



Liste De Pièces De Rechange

No de réf.	Description	No. de pièce	Qté
1	Assemblage du récipient (tel qu'indiqué)	SK205800AJ	1
2	■ Clapet	HV004400AV	1
3	■ Nécessaire de joint étanche du récipient (Inclus 3)	SK206401AJ	1
4	■ Tube de pression	SK105100AJ	1
5	Bague de retenue	HV000901AV	1
6	Jeu de bouchon d'air	HV011000SV	1
7	Buse	Voir le tableau	1
8	Bague de flux d'air	HV001201AV	1
9	Gâchette	◆ ※	1
10	Bague en E	◆	1
11	Goupille de gâchette	◆	1
12	Bague de retenue	▲	1
13	※ Raccord rapide mâle	HV003500AV	1
14	Raccord rapide	HV002200AV	1
15	Tuyau	MP310600AV	1
16	Bouton de réglage du débit de matériel	HV003400SV	1
17	Ressort	HV002900AV	1
18	Aiguille	Voir le tableau	1
19	Joint torique	▲	1
20	Joint torique	▲	1
21	Vanne de régulation d'air	▲ ※	1
22	Bague en E	◆	1
23	※ Écrou à garniture	HV003200SV	1
24	※ Garniture	HV002800SV	2
25	Récipient	DH077900AV	1

Nécessaires de pièces de rechange

No de réf.	Description	No. de pièce	Qté
■	Assemblage du récipient (Pièces 2-4 inclus)	SK205800AJ	1
◆	Assemblage de la gâchette (Pièces 9-11 & 22 inclus)	SK206100AJ	1
▲	Assemblage du bouton de réglage du flux d'air (Pièces 12, 19-21 inclus)	SK206200AJ	1
※	Ensemble du corps de pistolet (tel qu'indiqué, comprend 9-13, &16-24)	SK600000AJ	1

Remarque: Jeu de bouchon d'air comprend #5, 6 & 8
 Bouchon d'air seulement (pistolets avec Campbell Hausfeld
 estampé dans le manche) HV000801AV

Ensemble d'aiguille/buse	Pistolet estampé avec CH	Pistolet à manche lisse
Matériel mince	HV7005	MP3018
Tous usages	HV7004	MP3017
Matériel épais	HV7006	MP3019

Garantie Limitée

1. DURÉE : À partir de la date d'achat par l'acheteur original comme suit - Systèmes pour Application de Peinture Service Standard (Standard Duty) et tous les Accessoires pour Application de Peinture - 1 An, Systèmes pour Application de Peinture Service Sérieux (Serious Duty) - 3 Ans, Systèmes pour Application de Peinture Service Extrême (Extreme Duty) - 5 Ans.
2. GARANTIE ACCORDÉE PAR (GARANT) : Campbell Hausfeld/Scott Fetzer Company, 100 Production Drive, Harrison, Ohio, 45030, Téléphone : (800) 543-6400
3. BÉNÉFICIAIRE DE CETTE GARANTIE (ACHETEUR) : L'acheteur original (sauf en cas de revente ou de location) du produit Campbell Hausfeld.
4. PRODUITS COUVERTS PAR CETTE GARANTIE : Tous les systèmes pour application de peinture qui ne sont pas actionnés par un compresseur d'air, systèmes HVLP (haut volume, basse pression), et accessoires pour application de peinture qui sont fournis par ou fabriqués par le Garant.
5. COUVERTURE DE LA PRÉSENTE GARANTIE : Défauts de matière et de fabrication qui se révèlent pendant la période de validité de la garantie. Le garant couvre aussi les articles d'usure normal contre les défauts de matière et de fabrication pendant trente jours à partir de la date d'achat. Les articles d'usure normal sont : les filtres HVLP, les balais de moteur, les garnitures de pistolets, le joint de la boîte du pistolet, le clapet du pistolet, et la bague de circulation d'air du pistolet ; soupape d'arrivée sans air, soupape de sortie, soupape de pistolet, filtres, buses tous les joints et joints toriques.
6. LA PRÉSENTE GARANTIE NE COUVRE PAS :
 - A. Les garanties implicites, y compris celles de commerciabilité et D'ADAPTATION À UNE FONCTION PARTICULIÈRE SONT LIMITÉES À PARTIR DE LA DATE D'ACHAT INITIALE TELLE QU'INDIQUÉE DANS LA SECTION DURÉE. Si le produit Service Standard est utilisé pour une fonction commerciale ou industrielle, la durée de la garantie sera quatre-vingt-dix (90) jours à compter de la date d'achat. Si le produit est utilisé pour la location, la durée de la garantie sera quatre-vingt-dix jours (90) à compter de la date d'achat. Quelques Provinces (États) n'autorisent pas de limitations de durée pour les garanties implicites. Les limitations précédentes peuvent donc ne pas s'appliquer.
 - B. TOUT DOMMAGE, PERTE OU DÉPENSE FORTUIT OU INDIRECT POUVANT RÉSULTER DE TOUT DÉFAUT, PANNE OU MAUVAIS FONCTIONNEMENT DU PRODUIT CAMPBELL HAUSFELD. Quelques Provinces (États) n'autorisent pas l'exclusion ni la limitation des dommages fortuits ou indirects. La limitation ou exclusion précédente peut donc ne pas s'appliquer.
 - C. Toute panne résultant d'un accident, d'une utilisation abusive, de la négligence ou d'une utilisation ne respectant pas les instructions données dans le(s) manuel(s) accompagnant le produit. Un accident, l'utilisation abusive par l'acheteur, la négligence ou le manque de faire fonctionner les produits selon les instructions comprend aussi l'enlèvement ou la modification de n'importe quel appareil de sûreté. Si ces appareils de sûreté sont enlevés ou modifiés, la garantie sera annulée.
 - D. Réglages normaux qui sont expliqués dans le(s) manuel(s) d'utilisation accompagnant le produit.
 - E. Articles ou services qui sont exigés pour l'entretien du produit ; filtres HVLP, balais de moteur, joint de boîte de pistolet, clapet de pistolet et bague de circulation d'air du pistolet; Soupape d'arrivée sans air, soupape de sortie, soupape de pistolet, filtres, buses, tous les joints et les joints toriques, ou n'importe quelle pièce qui n'est pas indispensable et n'est pas spécifiée seront couverts pendant seulement trente (30) jours à partir de la date d'achat original.
7. RESPONSABILITÉS DU GARANT AUX TERMES DE CETTE GARANTIE : Réparation ou remplacement, au choix du Garant, des produits ou pièces qui se sont révélés défectueux, qui se sont tombés en panne et/ou qui n'ont pas conformé pendant la durée de validité de la garantie.
8. RESPONSABILITÉ DE L'ACHETEUR AUX TERMES DE CETTE GARANTIE :
 - A. Fournir une preuve d'achat datée et un état d'entretien.
 - B. Livraison ou expédition du produit ou de la pièce Campbell Hausfeld au Centre De Service Autorisé Campbell Hausfeld. Taux de frais, si applicables, sont la responsabilité de l'acheteur.
 - C. Utilisation et entretien du produit avec un soin raisonnable, ainsi que le décrit le(s) manuel(s) d'utilisation.
9. RÉPARATION OU REMPLACEMENT EFFECTUÉ PAR LE GARANT AUX TERMES DE LA PRÉSENTE GARANTIE :
 - A. La réparation ou le remplacement sera prévu et exécuté en fonction de la charge de travail dans le centre de service et dépendra de la disponibilité des pièces de rechange.
 - B. Si l'acheteur n'est pas satisfait des services du Centre de service autorisé, l'acheteur devrait contacter Campbell Hausfeld (se référer au paragraphe 2).

Cette Garantie Limitée s'applique aux É.-U. et au Canada et vous confère des droits judiciaires précis. L'acheteur peut également jouir d'autres droits qui varient d'une Province, d'un État ou d'un Pays à l'autre.

Leia e guarde estas instruções. Leia cuidadosamente antes de tentar montar, instalar, operar ou efetuar a manutenção do produto descrito. Proteja-se e aos outros observando todas as informações de segurança. Se essas instruções não forem seguidas poderão resultar em ferimentos pessoais e/ou danos de propriedade. Guarde estas instruções para referência futura.



Pistola Pulverizadora HVLP

Atenção: A Campbell Hausfeld recomenda que os reparos diferentes daqueles mencionados no manual de instrução sejam realizados por um centro de serviço autorizado.

Descrição

As pistolas pulverizadoras de tintas de Baixa Pressão e Alto Volume (HVLP) são projetadas para aplicar um acabamento fino com baixa sobrepulverização. O pulverizador pode ser usado para aplicar vários acrílicos, esmaltes, vedantes, goma laca, látex e tinta base. Esta unidade pode ser usada para pintar gabinetes, móveis, maguinários, equipamentos, paredes e trabalho de recorte. As pulverizadoras deste tipo não são recomendadas para camada final em automóveis. Essa unidade portátil é uma alternativa ideal para as pistolas pulverizadoras convencionais. A eficiência de transferência alta da HVLP fornece resultados profissionais com menos perda de material e contaminação ambiental do que outros sistemas de pintura de pulverização convencional.

Desembalagem

Ao desembalar a pulverizadora, inspecione cuidadosamente quanto a quaisquer danos que possam ter ocorrido durante o transporte. Certifique-se de que as conexões, parafusos etc. estejam apertados, antes de colocar a pulverizadora em funcionamento. Cada pulverizadora foi testada antes da remessa.

NOTA: O parafuso da embalagem pode precisar de mais ajustes devido ao relaxamento do material de embalagem durante a remessa.

Sumário

Descrição	21
Desembalagem	21
Informação de segurança geral	21
Instalação	22-23
Operação	24
Manutenção	24-25
Solução de problemas	26
Garantia	30

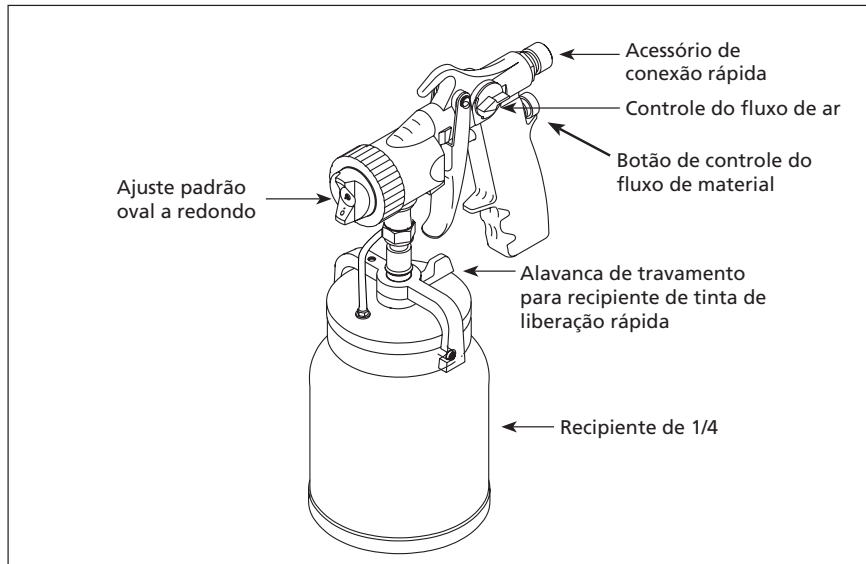


Figura 1 - Características

O líquido usado para testar a pulverizadora foi drenado, mas algum líquido permanecerá na pistola. Esse líquido deverá ser retirado da pistola de pulverização para evitar contaminação do material de revestimento. Use o solvente compatível com a camada a ser pulverizada.

Segurança Geral

⚠ PERIGO Indica uma situação de risco iminente que se não for evitada resultará em morte ou lesões graves.

⚠ AVISO Indica uma situação de risco em potencial que se não for evitada, resultará em morte ou lesões graves.

⚠ CUIDADO Indica uma situação de risco em potencial que se não for evitada resultará em lesões menores ou moderadas.

NOTA Indica uma informação importante que se não for seguida pode causar danos ao equipamento.

Leia todas as instruções e precauções de segurança antes de operar a unidade.

⚠ AVISO

Risco de incêndio ou explosão! Vapores de solvente e tinta podem explodir ou inflamar causando ferimentos graves e danos de propriedade.



Tintas e solventes que contêm HIDROCARBONOS HALOGENADOS podem reagir de forma explosiva com alumínio. Verifique sempre o rótulo do produto antes de usar esses materiais no equipamento.

Certifique-se de que a sala esteja bem ventilada.

Evite todas as fontes de ignição como centelhas elétricas estáticas, chamas abertas, objetos quentes, centelhas devidas à conexão e desconexão de fios elétricos e chaves de luzes em funcionamento.

Sigas as precauções e advertências de segurança dos fabricantes do material e do solvente. Não use líquido com pontos de ignição inferior a 38 graus Celsius.

Não transporte a TURBINA enquanto estiver pulverizando.

Segurança Geral (Continuação)

Mantenha a turbina a uma distância máxima da área de pulverização.

A eletricidade estática pode ser produzida por pulverização de HVLP. Certifique-se de que qualquer objeto que conduza eletricidade que esteja sendo pulverizado seja aterrado para evitar centelhas estáticas. A pulverizadora é aterrada através de um fio elétrico. Caso seja necessário usar uma extensão, a mesma deve ser de fio triplo, aterrada, 115V.

Vapores perigosos: tintas, solventes, inseticidas e outros materiais podem ser perigosos se inalados causando náusea severa, desmaio ou envenenamento.



Use o respirador ou máscara quando houver possibilidade de inalação dos vapores. Use a máscara ao ler todas as instruções, para estar adequadamente protegido contra a inalação de vapores perigosos.

NUNCA aponte a pistola pulverizadora para qualquer parte do corpo ou para alguém.

⚠ CUIDADO

Inclinar a pistola provoca obstrução. Material de pulverização seco também obstrui a pressão o tubo de aplicação e as conexões. A pistola pulverizadora não funciona quando há obstrução.

Quando não estiver sendo utilizada, certifique-se de desconectar a mangueira e colocar a pistola em uma superfície nivelada e sólida para evitar que se incline.

Componentes

(1) Pistola - totalmente montada, com agulha/bocal para todos os fins instalado.

Instalação

MONTAGEM DA AGULHA E BOCAL

1. Use a Tabela 1 para determinar o tamanho adequado do bocal e da agulha para um material a ser aplicado. A agulha e bocal para todos os fins são instalados na fábrica.

IMPORTANTE: A agulha e bocal é uma montagem combinada. É muito importante que tanto a agulha quanto o bocal sejam selecionados e instalados corretamente. Os kits de agulha/bocal são identificados pelos anéis de rosca usinada na agulha e no bocal. Certifique-se de que os números de anéis no bocal e na agulha correspondem. Se esses dois componentes não corresponderem adequadamente isso resultará na má qualidade de acabamento.

MATERIAL DE PULVERIZAÇÃO	AGULHA/BOCAL
Acrílicos	Todos os fins ou Finos
Esmaltes	Fino
Vedadores	Fino
Goma laca	Fino
Tinta látex	Todos os fins
Tinta à base de óleo	Todos os fins ou Espesso

Tabela 1 - Combinação Material Agulha/Bocal

2. A agulha e o bocal de material fino possuem um único anel de rosca mostrado na Figura 2 abaixo.

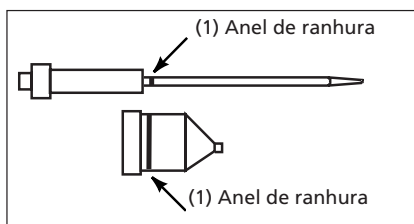


Figura 2 - Kit de agulha e bocal para material fino

3. A agulha e o bocal universais possuem três anéis estriados conforme ilustrado abaixo na Figura 3.

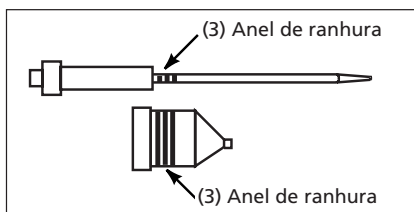


Figura 3 - Kit de agulha e bocal de material para todos os fins

4. A agulha e o bocal de material espesso têm dois néis de ranhura conforme mostra a Figura 4 abaixo.

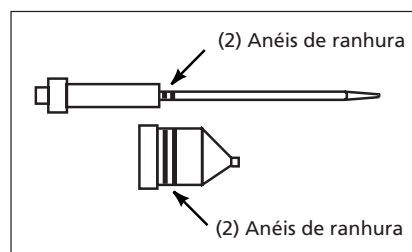


Figura 4 - Kit de agulha de material espesso

NOTA: O kit de agulha de materiais diversos está incluído com a unidade. Os kits de agulha para material espesso e fino não estão incluídos, todavia, esses kits podem ser comprados do fornecedor que vendeu a unidade, ou pelo número 1-800-626-4401.

5. Remova o anel de retenção, a tampa de ar, bocal, o botão de controle do material, a mola e a montagem da agulha (Figura 5).

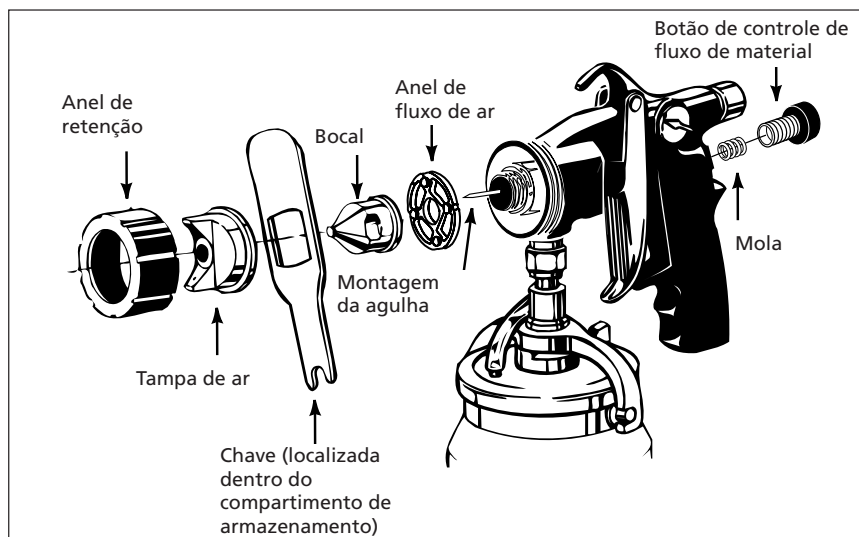


Figura 5 - Instalação da agulha/bocal

Instalação (Continuação)

6. Instale a montagem de agulha/bocal apropriada selecionada para o material a ser pulverizado (Figura 2, 3 e 4).
7. Monte novamente a montagem da agulha, mola, botão de controle de material, bocal, tampa de ar e anel de retenção.

AJUSTE DA PORCA DE GAXETA

Ocasionalmente a porca de gaxeta, localizada na dianteira da montagem do gatilho, necessitará de ajuste. A porca de gaxeta também precisará de ajuste quando a montagem da agulha/bocal é mudada (Figura 6).

1. Gire o botão de controle de fluxo do material no sentido horário pelo menos 3/4 da penetração.
2. Aperte a porca de gaxeta com a chave girando a porca no sentido horário até que a agulha não volte para a posição fechada quando o gatilho é solto. Não aperte excessivamente a porca de gaxeta. Para ajustar a gaxeta, a porca só deve ser apertada até o ponto em que a agulha pare de girar (veja a Figura 6).

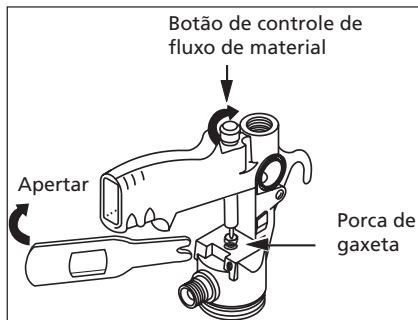


Figura 6 - ajuste da porca de gaxeta

3. Afrouxe a porca de gaxeta (aproximadamente 1/4 de uma volta) até que a agulha volte livremente para a posição fechada.

Preparação

PREPARANDO PARA PULVERIZAR

Alguns fabricantes especificam que seus materiais não devem ser diluídos. Em geral, essas instruções aplicam-se somente quando uma escova ou rolo pode ser necessária para diluir esses materiais se eles forem ser pulverizados. Verifique

com o fornecedor quanto a detalhes específicos quando comprar o material para pulverização.

Certifique-se de misturar o material totalmente após adicionar o agente de diluição e antes de verificar a viscosidade. Quando o material não é misturado adequadamente resultará em acabamento inadequado.

AVISO: Alguns acabamentos de látex são muito espessos e requerem a maior quantidade de diluição e mistura. Um condicionador de tinta látex pode ser adicionado à tinta para melhorar o desempenho de pulverização (disponível na maioria das casas de materiais para construção).

1. Filtre a tinta antes de pulverizar. A tinta não filtrada pode afetar o fluxo de material e o padrão da pulverização. Para pulverizar materiais finos, como goma, laca ou esmaltes, consulte o fornecedor de material quanto ao número da malha do filtrador adequado.
2. Despeje o material no recipiente de tinta. Preencha o recipiente de material somente até 1/2 a 3/4 de sua capacidade se for necessário diluição do material (veja a Figura 7).

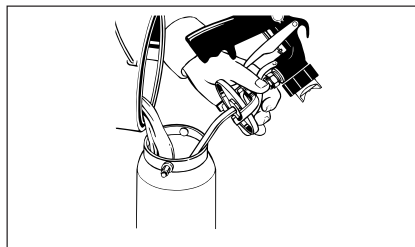


Figura 7- Abastecendo o recipiente de tinta

Consulte a tabela de material abaixo quanto a instruções de diluição adequada.

NOTA Siga as recomendações do fabricante do material quanto ao solvente de diluição adequado.

MATERIAL

MATERIAL	PORCENTAGEM REDUZIDA
Acrílico	Siga as instruções do fabricante
Esmaltes	... Não é necessário diluição
Vedadores transparentes	... Não é necessário diluição
Goma laca	Siga as instruções do fabricante
Tinta a base de óleo	10-40%
Tintas de látex	15-20%

3. Usando o procedimento a seguir, verifique a viscosidade do material antes de travar a pistola no recipiente do material (Figura 8).

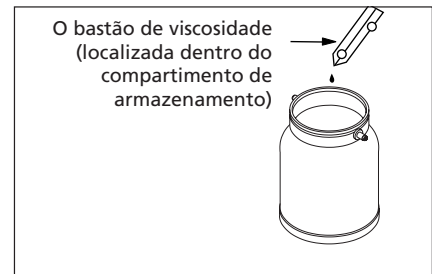


Figura 8 - Vareta de viscosidade

NOTA

O bastão de viscosidade está localizada no compartimento de armazenamento.

- Introduza o bastão de viscosidade no material. À medida que o bastão de viscosidade é removida do material, o material escorrerá inicialmente do bastão como uma fluxo contínuo. O fluxo de material se dividirá e começará a purgar depois que escorrer pelo bastão por pouco tempo.
- Avalie o intervalo entre cada uma das três primeiras gotas de material. O tempo entre as três primeiras gotas variará dependendo da espessura ou da viscosidade do material.
- O material estará adequadamente diluído se as três primeiras gotas do bastão de viscosidade forem de um segundo entre si.
- Como regra geral, se o tempo entre as gotas for mais que um segundo, o material está muito espesso. Adicione agente diluente, misture totalmente e repita o procedimento acima até obter uma viscosidade apropriada.

Preparação (Continuação)

- Para apertar e travar o recipiente, coloque os braços do retentor firmemente em torno dos pinos de retenção no recipiente da tinta.
- Mova a alavanca de travamento no sentido horário para a posição travada (veja a Figura 9).

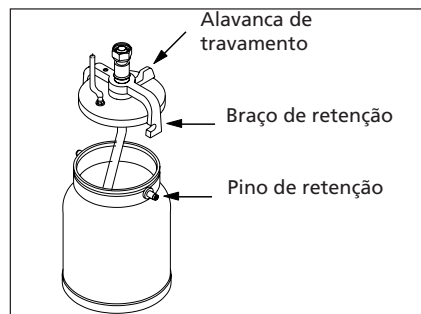


Figura 9 - Travando o recipiente

- Afixe o acessório de conexão rápida da mangueira de ar na pistola.

NOTA

A manga externa do acessório de conexão rápida é carregada com mola e deve ser puxada para afixá-la ou removê-la da pistola (Veja a Figura 10).

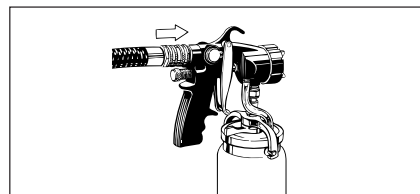


Figura 10 - Afixando a mangueira de ar

Operação

Pratique sempre primeiro. Faça os ajustes da pistola em uma superfície de teste como um papelão, antes de pulverizar o projeto.

- Mantenha a pistola a 10 a 23 centímetros de distância e paralela à superfície do objeto que está sendo pulverizado (veja a Figura 11). Se a aplicação do material for ajustada para um padrão mais estreito, pode ser necessário mover tão próximo quanto 5 centímetros da superfície do trabalho.

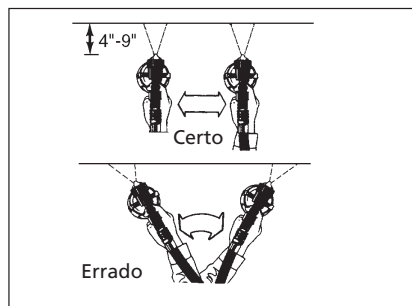


Figura 11 - Mãos de tinta

- Mova a pistola em camada uniforme e suave. Comece a pulverizar antes de puxar o gatilho e continue a camada depois de soltar o gatilho.
- Para melhores resultados cubra cada mão de tinta em 25 a 50%.
- Para ajustar o "tipo" de padrão de pulverização, gire a tampa de ar para a posição do padrão desejado (veja a Figura 12).

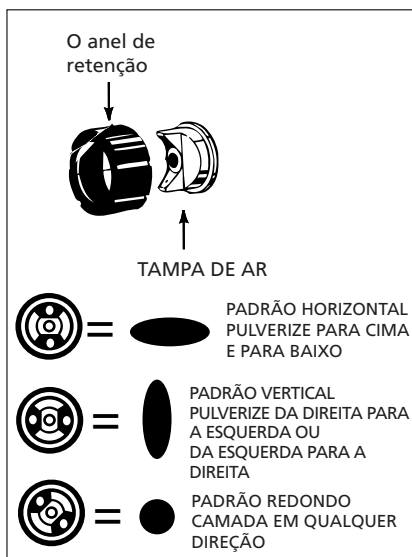


Figura 12 - Ajustando o "tipo padrão de pulverizações

- Para ajustar o fluxo de material, gire o botão de controle de material no sentido horário para diminuir e no sentido anti-horário para aumentar (veja a Figura 13).

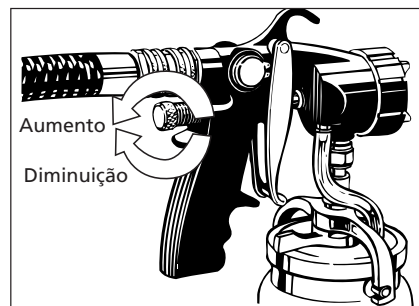


Figura 13 - Ajustando o fluxo de material

- Para ajuste de padrões finos, gire o botão de controle de fluxo de ar no sentido horário para diminuir e no sentido anti-horário para aumentar o fluxo de ar (veja a Figura 14).

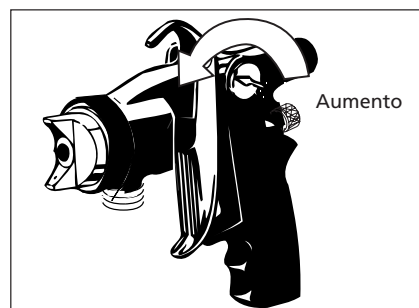


Figura 14 - Ajuste de padrão fino

Reduzir o fluxo de ar também reduzirá a sobrepulverização.

NOTA

A mangueira de ar da turbina pode ser usada para secar por meio de jato as áreas com camadas espessas ou de secagem lenta.

O ar da turbina é quente devido à operação normal. Isto pode afetar a qualidade do acabamento em dias secos e quentes devido à secagem prematura de algumas camadas como a goma laca. Os agentes de retardamento podem ser adicionados ao material para resolver esta condição. Consulte o fornecedor de material quanto ao agente de retardamento apropriado e procedimentos de mistura.

Manutenção

LIMPEZA

AVISO

Certifique-se de que a sala esteja bem ventilada ao usar solventes. Descarte todos os materiais corretamente, de acordo com as regulamentações locais.

1. Remova o botão de controle de material, mola e agulha (puxe o gatilho para ajudar a remover a agulha).
NOTA: A remoção da agulha antes de remover o bocal evitará danos na agulha.
2. Usando a chave que é fornecida, desaparafuse e remova o anel retentor, bocal e anel de fluxo de ar (veja a Figura 15).
3. Coloque as peças e o recipiente de tinta em uma vasilha ou outro recipiente adequado. Deixe as peças de molho em um solvente adequado, ou em água e sabão se o látex foi usado (veja a Figura 16). Para limpar a pistola, enxágüe os solventes de limpeza adequados através do tubo de material até que a solução comece a clarear. Repita os procedimentos da extremidade do bocal da pistola (veja a Figura 16).

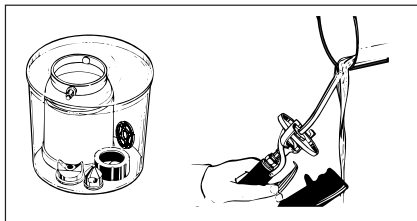


Figura 16 - Limpando as peças da pistola de pulverização

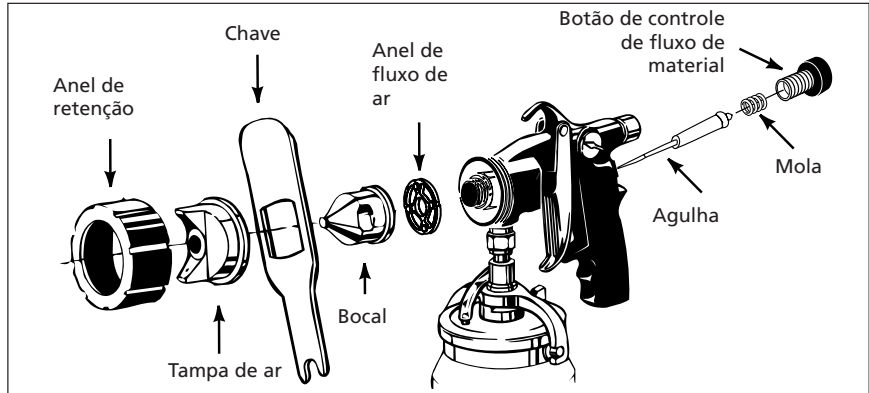


Figura 15 - Preparação para limpeza

4. Use a escova (saturada com solvente) entre as lavagens para limpar o tubo de material e o bocal (veja a Figura 17).

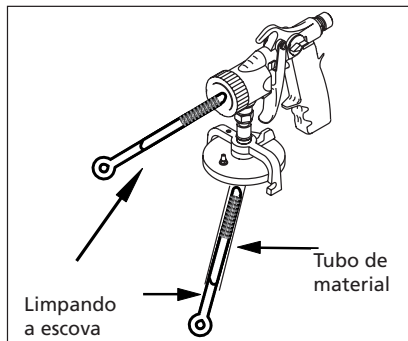


Figura 17 - Limpeza do tubo de material

5. Reinstale os componentes em ordem inversa à desmontagem (veja a Figura 18). Instale sempre o bocal antes de instalar a agulha para evitar danificar a agulha.
6. Quando a pistola e todas as peças estiverem totalmente limpas, use a mangueira da turbina para secar as peças e sopre as passagens até secar. A secagem completa da pistola e de todos os componentes antes da montagem evita criar contaminação durante a próxima operação da unidade e inibirá a oxidação de componentes internos da pistola (veja a Figura 18).

NOTA

Os quatro botões ressaltados no anel de fluxo de ar devem estar voltados para a frente (em direção ao bocal) quando montados (veja a Figura 18).

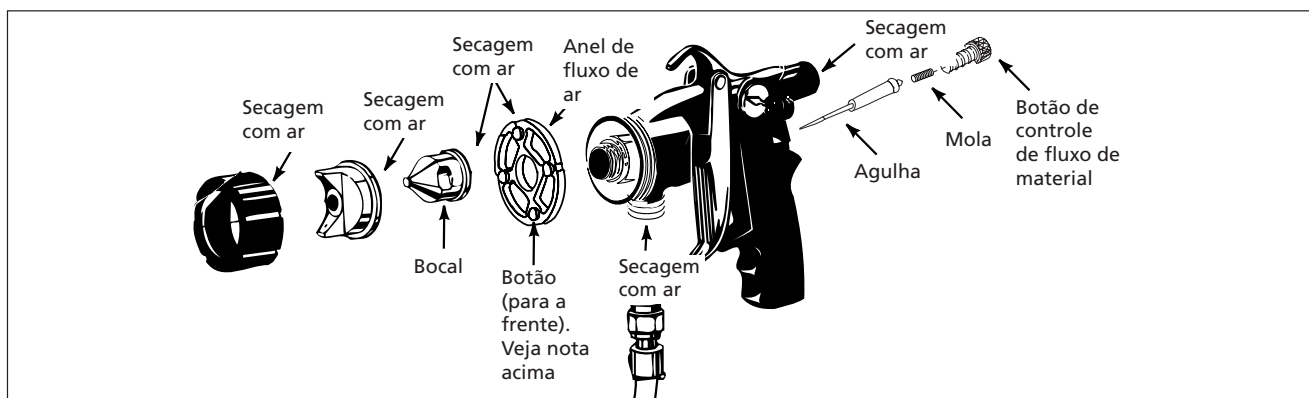


Figura 18 - Secagem dos componentes com jatos de ar

Tabela de Solução de Problemas

Sintoma	Causa(s) possível(eis)	Medida Corretiva
Sem fluxo de material	<ol style="list-style-type: none"> 1. Bocal/tampa de ar obstruídos 2. Conexões ou tubo de pressão do recipiente obstruídos 3. Pistola obstruída 4. Tubo de material obstruído 5. Vazamento da vedação do recipiente 6. Material não está misturado adequadamente ou está inadequadamente filtrado 	<ol style="list-style-type: none"> 1. Desmonte e limpe 2. Desmonte e limpe (um pino reto pode ser usado para limpar os acessórios) 3. Desmonte e limpe 4. Desmonte e limpe a pistola e verifique a válvula 5. Inspeção a vedação do recipiente, tampa do recipiente e limpe ou substitua se necessário 6. Filtre a tinta
Fluxo de material lento	<ol style="list-style-type: none"> 1. Material muito espesso 2. Ajuste de material inadequado 3. Agulha/bocal errado 4. Filtro de ar obstruído 5. Material não misturado corretamente ou filtrado inadequadamente 6. Material muito frio 	<ol style="list-style-type: none"> 1. Limpe o tubo do material, pistola, conexões e dilua o material 2. Ajuste o botão de controle do material 3. Consulte a tabela de aplicação de material quanto ao bocal/agulha corretos 4. Remova e substitua o filtro de ar 5. Filtre a tinta 6. Aumente a temperatura do material para 15 graus C
Vazamento de material	<ol style="list-style-type: none"> 1. Recipiente ou pistola danificados 2. Gaxeta frouxa 3. Gaxeta desgastada ou danificada 4. Vedação de recipiente desgastada ou danificada 5. Conexões de recipientes frouxos 6. Bocal frouxo 7. Montagem de bocal/agulha errada 8. Agulha danificada 9. Botão de controle de material frouxo 10. Vazamento da vedação do recipiente 	<ol style="list-style-type: none"> 1. Verifique a pistola do recipiente e substitua as peças danificadas 2. Ajuste a porca de gaxeta 3. Remova e substitua 4. Remova e substitua 5. Aperte 6. Aperte 7. Consulte a tabela de aplicação do material para a agulha/bocal corretos 8. Substitua 9. Ajuste adequadamente girando no sentido horário 10. Limpe e seque antes do uso
Pulverização não desliga	<ol style="list-style-type: none"> 1. Agulha suja 2. Gaxeta muito apertada 3. Botão de controle de material frouxo 	<ol style="list-style-type: none"> 1. Limpe ou substitua a agulha 2. Ajuste a porca de gaxeta 3. Aperte
Pulverização pulsátil	<ol style="list-style-type: none"> 1. Vedação do recipiente ou válvula de retenção vazando 2. Gaxeta ajustada inadequadamente 3. Acessórios frouxos no recipiente ou pistola 4. Anel de retenção da tampa de ar frouxo 5. Bocal frouxo 6. Anel de fluxo de ar danificado 7. Material não misturado adequadamente, ou filtrado inadequadamente 	<ol style="list-style-type: none"> 1. Desmonte e limpe 2. Ajuste a porca de gaxeta ou substitua a gaxeta 3. Aperte 4. Aperte 5. Aperte 6. Substitua 7. Filtre a tinta
Sobrepulverização excessiva	<ol style="list-style-type: none"> 1. Material muito fino 2. Excesso de fluxo de ar 3. Agulha/bocal errados 4. Pistola muito longe do projeto 5. Pulverização soprada pelo vento 6. Fluxo de material excessivo 7. Material não misturado adequadamente ou filtrado inadequadamente 	<ol style="list-style-type: none"> 1. Verifique a viscosidade do material (adicione material não diluente) 2. Ajuste o fluxo de ar 3. Montagem agulha/bocal errada 4. Mova a pistola para perto da superfície 5. Mova para uma área sem vento 6. Ajuste o botão de controle de fluxo do material 7. Filtre a tinta

Tabela de Solução de Problemas

Sintoma	Causa(s) possível(eis)	Medida Corretiva
Pulverização não uniforme (Formação de saliências)	<ol style="list-style-type: none"> 1. Material muito espesso 2. Montagem da agulha/bocal errada 3. Vedação do recipiente vazando 4. Gaxeta frouxa 5. Material não misturado adequadamente ou filtrado inadequadamente 	<ol style="list-style-type: none"> 1. Verifique a viscosidade do material (dilua de acordo com as instruções) 2. Troque para a agulha/bocal adequados 3. Aperte o recipiente, substitua a vedação ou verifique a válvula 4. Ajuste ou substitua a gaxeta 5. Filtre a tinta
Padrão deficiente	<ol style="list-style-type: none"> 1. Acúmulo de material no bocal ou na tampa de ar 2. Bocal/agulha desgastados 3. Tampa de ar obstruída 4. Material não misturado adequadamente ou filtrado inadequadamente 	<ol style="list-style-type: none"> 1. Limpe o bocal e a tampa de ar 2. Substitua 3. Limpe 4. Filtre a tinta
Superaquecimento	<ol style="list-style-type: none"> 1. Filtro obstruído 	<ol style="list-style-type: none"> 1. Substitua
Fluxo de ar deficiente	<ol style="list-style-type: none"> 1. Filtro obstruído 2. Controle de fluxo de ar inadequadamente ajustado 	<ol style="list-style-type: none"> 1. Substitua o filtro 2. Ajuste o controle de fluxo
Obstruções da ponta de pulverização	<ol style="list-style-type: none"> 1. Ajuste de fluxo de material inadequado 2. Vedação do recipiente vazando 3. Agulha/bocal incorretos 	<ol style="list-style-type: none"> 1. Ajuste o controle de material 2. Substitua a vedação da tampa 3. Mude para agulha/bocal apropriado

Tabela de solução de problema - Qualidade de acabamento

Sintoma	Causa(s) possível(eis)	Medida Corretiva
Casca de laranja (Aparência de enrolamento áspero semelhante à casca de laranja)	<ol style="list-style-type: none"> 1. Material secando muito rápido 2. Pistola muito longe da superfície 3. Material muito espesso 	<ol style="list-style-type: none"> 1. Use o solvente mais lento ou adicione um agente de retardamento 2. Mova a pistola para perto da superfície 3. Dilua o material de acordo com as instruções
Escorre e forma bolsas	<ol style="list-style-type: none"> 1. Material muito fino 2. Movendo a pistola muito lentamente 3. Fluxo de material excessivo 4. Pistola muito perto da superfície 	<ol style="list-style-type: none"> 1. Adicione o material para aumentar a espessura 2. Mova a pistola mais rapidamente 3. Gire o botão de controle de material no sentido horário para reduzir o fluxo 4. Mova a pistola mais distante da superfície
Pequenos buracos e bolhas de solvente	<ol style="list-style-type: none"> 1. Solventes retidos 2. Aparecimento de pigmentos 3. Contaminação do sistema 	<ol style="list-style-type: none"> 1. Aplique material em camadas mais leves, dando tempo para que os solventes evaporem 2. Possível material ruim 3. Limpe totalmente todas as peças
Olho de peixe	<ol style="list-style-type: none"> 1. Possível contaminação de silicone 	<ol style="list-style-type: none"> 1. Use solvente para limpar todas as peças e projetos
Formação de bolhas	<ol style="list-style-type: none"> 1. Umidade dentro da/sobre a superfície 2. Camadas superiores ou subcamadas incompatíveis 	<ol style="list-style-type: none"> 1. Seque a superfície 2. Certifique-se de que as camadas sejam compatíveis
Superfície espessa e nodulada	<ol style="list-style-type: none"> 1. Sujeira na superfície 	<ol style="list-style-type: none"> 1. Limpe totalmente a superfície
Acabamento de superfície mosqueado	<ol style="list-style-type: none"> 1. Diluente em demasia 2. Má técnica de pulverização 	<ol style="list-style-type: none"> 1. Reduza o diluente 2. Consulte "operação" para instruções de pulverização

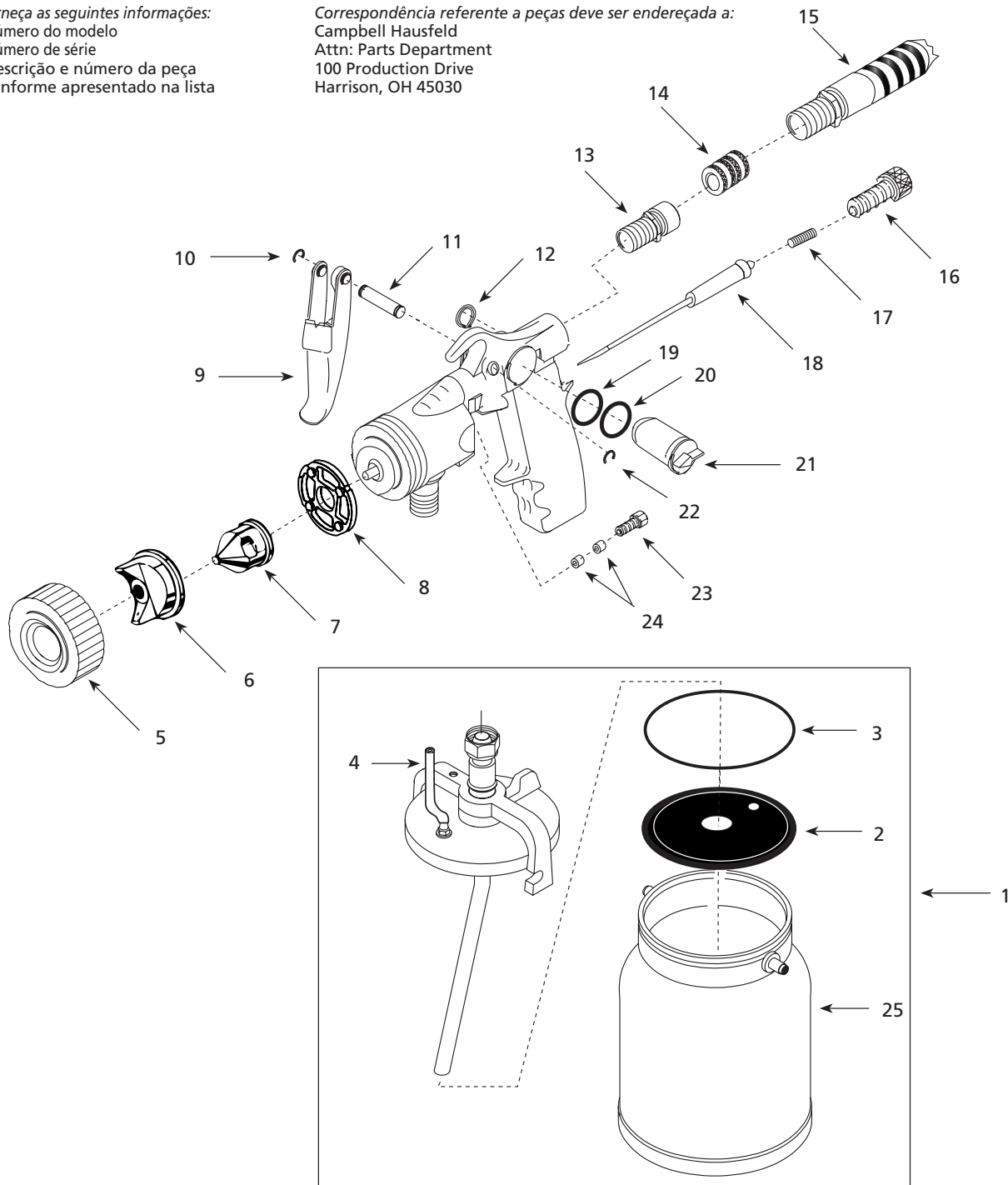
AVISO:

- As condições do tempo podem causar resultados insatisfatórios ao pulverizar algumas camadas. A alta umidade prolonga os tempos de fixação e cura.
- Umidade elevada aumenta os tempos de fixação e cura.
- Altas temperaturas diminuem os tempos de fixação e cura.
- Temperaturas baixas aumentam os tempos de fixação e cura.
- Variações na temperatura e na umidade podem causar variações na qualidade do acabamento.
- Fabricantes de revestimento podem recomendar aditivos para resolver alguns desses problemas e devem ser contatados para assistir com soluções de problemas particulares.

Para peças de reposição ou assistência técnica, entre em contato com o seu distribuidor local.

Forneça as seguintes informações:
-Número do modelo
-Número de série
-Descrição e número da peça
conforme apresentado na lista

Correspondência referente a peças deve ser endereçada a:
Campbell Hausfeld
Attn: Parts Department
100 Production Drive
Harrison, OH 45030



Lista de peças de reposição

Núm de referência	Descrição	Número de peça	Qty.
1	Montagem da lata (conforme demonstrado)	SK205800AJ	1
2 ■	Válvula de retenção	HV004400AV	1
3 ■	Kit de vedação do vasilhame (inclui 3)	SK206401AJ	1
4 ■	Tubo de pressão	SK105100AJ	1
5	Anel de retenção	HV000901AV	1
6	Conjunto de tampa de ar	HV011000SV	1
7	Bocal	Veja o quadro	1
8	Anel de fluxo de ar	HV001201AV	1
9	Gatilho	◆ ※	1
10	Anel - E	◆	1
11	Pino de gatilho	◆	1
12	Anel de retenção	▲	1
13 ※	Acessório macho de conexão rápida	HV003500AV	1
14	Acessório de conexão macho	HV002200AV	1
15	Mangueira	MP310600AV	1
16	Botão de controle de fluxo de material	HV003400SV	1
17	Mola	HV002900AV	1
18	Agulha	Veja o quadro	1
19	Anel-O	▲	1
20	Anel-O	▲	1
21	Válvula de controle de ar	▲ ※	1
22	Anel-E	◆	1
23 ※	Porca de gaxeta	HV003200SV	1
24 ※	Gaxeta	HV002800SV	2
25	Vasilhame	DH077900AV	1

Kit de peças de reposição

Núm de referência	Descrição	Número de peça	Qty.
■	Montagem do vasilhame (inclui itens 2-4)	SK205800AJ	1
◆	Montagem do gatilho (inclui itens 9 - 11 e 22)	SK206100AJ	1
▲	Montagem do botão de controle do fluxo de ar (inclui itens 12, 19-21)	SK206200AJ	1
※	Montagem do corpo da pistola (conforme demonstrado, inclui 9-13 e 16-24)	SK600000AJ	1

Nota: O Conjunto de tampa de ar inclui os números 5, 6 e 8
Somente a tampa de ar (pistolas com o nome Campbell Hausfeld gravado na alça)

HV000801AV

Jogo de agulhas/bocais	Pistola gravada com o nome CH	Pistola de alçalisa
Material fino	HV7005	MP3018
Universal	HV7004	MP3017
Material espesso	HV7006	MP3019

Garantia Limitada

1. **DURAÇÃO:** A partir da data de compra pelo comprador original conforme a seguir: Sistemas de aplicação de tinta de Serviço Normal e todos os acessórios para aplicação de tinta - Um ano, Sistemas de aplicação de tinta de Serviço Intenso – Três anos, Sistemas de aplicação de tinta de Serviço Extremo - Cinco anos.
2. **QUEM CONCEDE ESTA GARANTIA (GARANTIDOR):** Campbell Hausfeld/Scott Fetzer Company, 100 Production Drive, Harrison, Ohio, 45030, Telefone: 1-800-626-4401.
3. **QUEM RECEBE ESTA GARANTIA (COMPRADOR):** O comprador original (não para objetivo de revenda) dos produtos da Campbell Hausfeld.
4. **QUAIS SÃO OS PRODUTOS COBERTOS POR ESTA GARANTIA:** Todos os sistemas de aplicação de tinta não acionados por compressor, sistemas de pulverização de HVLP e acessórios para aplicação de tinta fornecidos e fabricados pelo Garantidor.
5. **O QUE ESTÁ COBERTO NESTA GARANTIA:** Defeitos de material e mão de obra que se apresentem durante o prazo de garantia. O Garantidor cobrirá também itens de desgaste normal por um período de trinta dias a partir da data original da compra contra defeitos de material e mão de obra. Os itens de desgaste são: filtros de HVLP, escovas automáticas, gaxeta do revólver, vedação do recipiente do revólver, válvula de retenção do revólver e anel de fluxo de ar do revólver; válvulas de entrada sem ar, válvula de saída, válvula do revólver, filtros, pontas, todas as vedações e anéis em O.
6. **O QUE NÃO ESTÁ COBERTO NESTA GARANTIA:**
 - A. Garantias implícitas, incluindo as de COMERCIALIZIDADE E ADEQUAÇÃO PARA UM OBJETIVO ESPECÍFICO SÃO LIMITADAS A PARTIR DA DATA DA COMPRA ORIGINAL, CONFORME ESTABELECIDO NO ITEM DURAÇÃO ACIMA. Se um produto de uso normal for usado para objetivos comerciais ou industriais, a garantia terá a duração de noventa (90) dias a partir da data de compra. Se o produto for usado para aluguel, a garantia terá a duração de noventa (90) dias a partir da data de compra. Alguns estados nos Estados Unidos) não permitem limites referentes ao prazo de duração da garantia implícita, de forma que os limites acima podem não se aplicar ao seu caso.
 - B. **QUALQUER PERDA, DANO OU DESPESA INCIDENTAL, INDIRETA OU CONSEQÜENTE QUE POSSA RESULTAR DE QUALQUER DEFEITO, FALHA OU MAU FUNCIONAMENTO DOS PRODUTOS DA CAMPBELL HAUSFELD.** Alguns estados (nos Estados Unidos) não permitem a exclusão ou limite de danos incidentais ou conseqüentes, de forma que o limite e exclusão podem não se aplicar ao seu caso.
 - C. Qualquer falha resultante de acidente, abuso por parte do comprador, negligência ou da não operação do produto de acordo com as instruções no(s) manual(ais) do proprietário que acompanha(m) este produto. Acidente, abuso por parte do comprador, negligência ou a não operação dos produtos de acordo com as instruções incluirão também a retirada ou alteração de qualquer dispositivo de segurança. Se tais dispositivos de segurança forem retirados ou alterados, esta garantia será anulada.
 - D. Ajustes normais que são explicados nos manuais do proprietário fornecido com o produto.
 - E. Itens ou serviços normalmente exigidos para manter o produto, isto é, filtros de HVLP, escovas automáticas, gaxeta do revólver, vedação do recipiente do revólver, válvula de retenção do revólver e anel de fluxo de ar do revólver. Válvulas de entrada sem ar, válvula de saída, válvula do revólver, filtros, pontas, todas as vedações e anéis em O ou qualquer outra parte consumível não necessariamente listada, estarão cobertos apenas por trinta dias a partir da data da compra original.
7. **RESPONSABILIDADES DO GARANTIDOR DE ACORDO COM ESTA GARANTIA:** Consertar ou substituir, a critério do garantidor, produtos ou componentes com defeitos, mau funcionamento e/ou falha durante o prazo de garantia.
8. **RESPONSABILIDADES DO COMPRADOR DE ACORDO COM ESTA GARANTIA:**
 - A. Fornecer comprovante de compra, datado, e registros de manutenção.
 - B. Entregar ou remeter o produto ou componente da Campbell Hausfeld ao Centro de Serviço Autorizado Campbell Hausfeld mais próximo. Os custos de frete, se houver, devem ser por conta do comprador.
 - C. Usar cuidado adequado na operação e manutenção dos produtos conforme descrito no(s) manual(ais) do proprietário.
9. **QUANDO O GARANTIDOR IRÁ CONSERTAR OU SUBSTITUIR DE ACORDO COM ESTA GARANTIA:**
 - A. Consertos ou substituições serão programados e realizados de acordo com o fluxo de trabalho normal no local de conserto e dependendo da disponibilidade das peças de substituição.
 - B. Se o comprador não receber resultados satisfatórios do Centro de Serviço Autorizado, o comprador deve contatar a Campbell Hausfeld (veja o parágrafo 2).

Esta garantia limitada se aplica apenas aos Estados Unidos e Canadá e lhe fornece direitos legais específicos. Você pode também ter outros direitos, que variam de estado para estado, ou de país para país.

Lea con cuidado antes de tratar de armar, instalar, manejar o darle servicio al producto descrito en este manual. Protéjase Ud. y a los demás observando todas las reglas de seguridad. El no seguir las instrucciones podría resultar en heridas y/o daños a su propiedad. Guarde este manual como referencia.



Pistola Rociadora HVLP

Atención: Campbell Hausfeld le recomienda que cualquier otro servicio no indicado en el manual de instrucciones debe darse en un centro autorizado de servicio.

Descripción

Las rociadoras de pintura profesionales de alto volumen y baja presión (HVLP) están diseñadas para proporcionar un acabado de primera con muy poco desperdicio de pintura. La rociadora se puede usar para aplicar varios tipos de pinturas acrílicas, tinturas, selladores, lacas, pinturas látex y bases. Esta rociadora se puede usar para pintar gabinetes, muebles, maquinarias, muros, equipos y para el acabado de orillas. Este tipo de rociadoras no se recomienda para el acabado de coches. Esta rociadora portátil es una alternativa ideal para usar en vez de una pistola pulverizadora tradicional. Debido a su alta eficiencia, la HVLP le ofrece resultados profesionales con muy poco desperdicio de material y menos contaminación ambiental que otros sistemas para rociar pinturas.

Para desempacar

Al desempacarla, inspecciónela cuidadosamente para ver si se ha dañado durante el envío. Cerciérese de apretar todas las uniones, pernos, etc., antes de usarla. Todas las rociadoras han sido sometidas a prueba antes de enviarlas.

NOTA: La tuerca de control de salida debe ajustarse más debido a que el material de empaque se ha aflojado durante el transporte.

Índice

Descripción	31
Para desempacar	31
Información general de seguridad	31
Ensamblaje	32-33
Funcionamiento	34
Mantenimiento	34-35
Diagnóstico de averías	36
Garantía	40

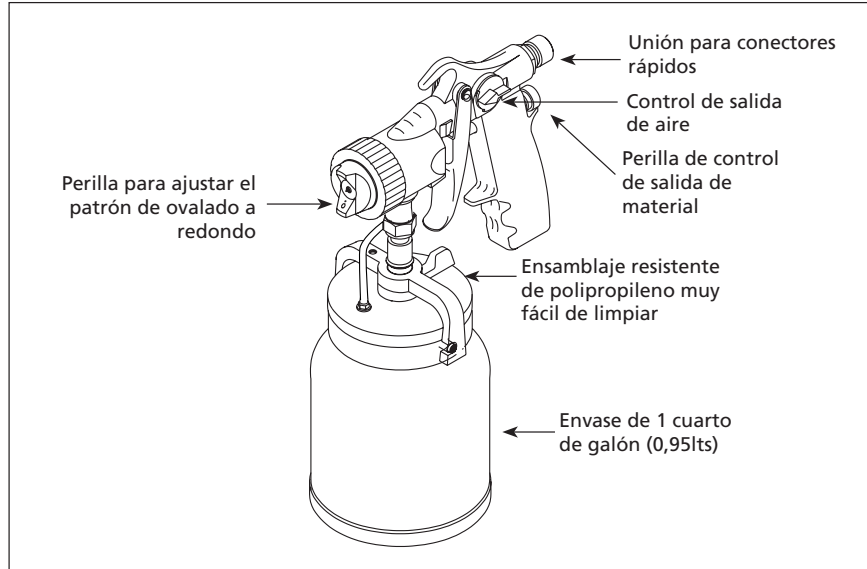


Figura 1 - Características

El líquido usado durante las pruebas ha sido drenado en la fábrica, sin embargo es posible que puedan haberle quedado residuos. Este líquido se le debe sacar para evitar que el material que se use se contamine. Use un solvente adecuado para el material a rociar.

Información General de Seguridad

⚠ PELIGRO

Esto le indica que hay una situación inmediata que podría ocasionarle la muerte o heridas de gravedad si se ignora.

⚠ ADVERTENCIA

Esto le indica que hay una situación que podría ocasionarle la muerte o heridas de gravedad si se ignora.

⚠ PRECAUCION

Esto le indica que hay una situación que podría ocasionarle heridas no muy graves si se ignora. También puede indicar un peligro que puede causar sólo daños materiales.

AVISO

Le indica cualquier información adicional sobre el producto o su uso adecuado.

Lea todas las instrucciones y medidas de seguridad antes de utilizar esta unidad.

⚠ ADVERTENCIA

¡Peligro de fuego o explosión!
Los vapores producidos por solventes y pinturas pueden explotar o incendiarse ocasionándole heridas graves y daños a la propiedad.

Las pinturas y solventes que contienen HIDROCARBUROS ALOGENADOS pueden explotar al mezclarse con aluminio. Antes de usar un material vea el rótulo en el envase.

Cerciérese de que el área esté bien ventilada.

Evite cualquier fuente de incendios tales como chispas de electricidad estática, llamas, objetos calientes o chispas de cordones eléctricos o interruptores.



Información General de Seguridad (continuación)

Siga las medidas de precaución de los fabricantes de materiales y solventes. No use líquidos con puntos de ignición menores de 100 grados Fahrenheit (38 grados Celsius).

No transporte la TURBINA mientras esté rociando.

Mantenga la turbina a la distancia máxima del área que esté rociando.

Al rociar con este tipo de rociadora puede producirse electricidad, estática. Si va a rociar cualquier objeto que sea conductor de electricidad éste debe estar conectado a tierra para evitar que eche chispas. La rociadora está conectada a tierra a través del cordón eléctrico. Si tiene que usar un cordón de extensión, éste debe ser de 115 voltios, con tres terminales y conectado a tierra.



Vapores peligrosos: Pinturas, solventes, insecticidas y otros materiales pueden ser dañinos al inhalarlos, ocasionándole náusea severa, desmayo o envenenamiento.

Use una máscara respiratoria si hay posibilidades de que inhale vapores. Vea las instrucciones de la máscara para ver si le protege contra vapores dañinos.

NUNCA apunte la pistola rociadora hacia cualquier parte del cuerpo u otra persona.

PRECAUCION Al inclinar la pistola, ésta se puede atascar. El material reseco también puede atascar los tubos y uniones. La pistola pulverizadora no funciona si está atascada.

Mientras no la esté usando, desconéctele la manguera y coloque la pistola en una superficie sólida y nivelada para evitar que se incline.

Componentes

(1) Pistola - completamente ensamblada, con una aguja/boquilla para todo uso instalada.

Ensamblaje

ENSAMBLAJE DE LA AGUJA Y LA BOQUILLA

1. Use la Tabla 2 para determinar el tamaño adecuado de la aguja y la boquilla para el material que va a rociar. La aguja y boquilla para todo tipo de materiales vienen instaladas de fabrica.

Importante: La aguja y la boquilla son un juego. Es muy importante que ambas se seleccionen e instalen adecuadamente. Los juegos de aguja/boquilla se identifican por los anillos grabados en la aguja y la boquilla. Cerciórese de que el número de anillos en la aguja y la boquilla sea el mismo,

MATERIAL	AGUJA/BOQUILLA
Pinturas acrílicas	Para todo tipo o materiales claros
Tinturas	Para materiales claros
Selladores	Para materiales claros
Lacas	Para materiales claros
Pinturas látex	Para todo tipo
Pinturas a base de aceite	Para todo tipo o materiales espesos

Tabla 1 Combinación de aguja/boquilla para diferentes materiales

de lo contrario el acabado será de mala calidad.

2. Las agujas y boquillas para materiales claros tienen sólo un anillo grabado tal como se muestra en la Fig. 2, abajo.

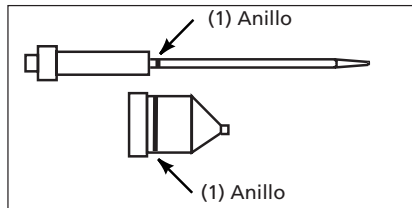


Figura 2 Juego de aguja y boquilla para materiales claros

3. La aguja y la boquilla para todo tipo de materiales tienen 3 ranuras tal como se muestra en la Figura 3 a continuación.

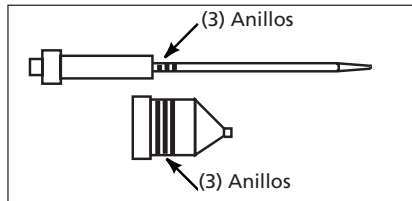


Figura 3 - Juego de aguja y boquilla para todo tipo de materiales

4. Las agujas y boquillas para materiales espesos tienen dos anillos grabados tal como se muestra en la Fig. 4 abajo.

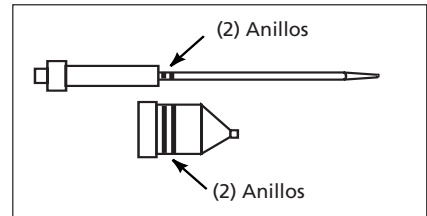


Figura 4 - Juego de aguja y boquilla para materiales espesos

NOTA: El juego de aguja para material para todo uso está incluido con la unidad. Los juegos de aguja para material grueso y fino no se incluyen; sin embargo, es posible comprar estos juegos en el almacén al detalle que vendió la unidad, o llamando al 1-800-626-4401.

5. Saque el anillo retenedor, la tapa, la boquilla, la perilla de control de salida del material, el resorte y el ensamblaje de la aguja (Fig. 5).

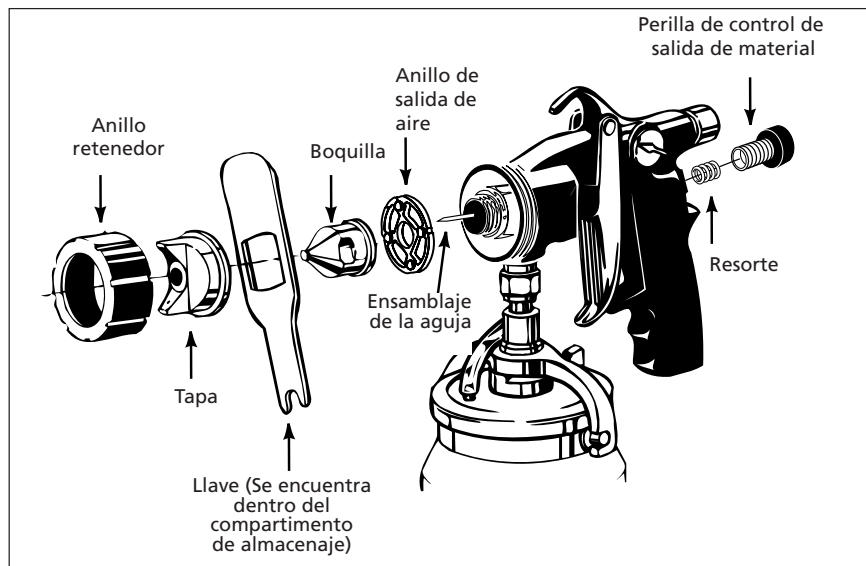


Figura 5 - Para instalar la aguja/boquilla

Ensamblaje (continuación)

6. Instale el ensamblaje de aguja/boquilla adecuado para el material que va a rociar (Fig. 2, 3 & 4).
7. Ensamble una vez más la aguja, el resorte, la manilla de control de salida de material, la boquilla, la tapa y el anillo retenedor.

PARA AJUSTAR EL CONTROL DE SALIDA DE MATERIAL

Ocasionalmente la tuerca del control de salida de material, que se encuentra delante del ensamblaje del gatillo necesitará ajustarse. También tendrá que ajustarla después de cambiar el ensamblaje de aguja/boquilla (Fig. 6).

1. Gire la manilla de control de salida de material en sentido de las agujas del reloj al menos 3/4.
2. Apriete la tuerca del control de salida de material con la llave, girándola en sentido de las agujas del reloj hasta que la aguja no se regrese a la posición cerrada cuando suelte el gatillo. No la apriete demasiado. Apriétela sólo hasta que la aguja no se regrese. (Vea la Fig. 6).

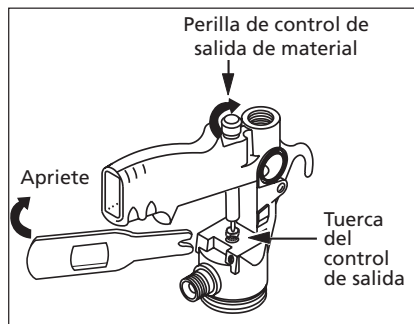


Figura 6 - Para ajustar la tuerca

3. Afloje la tuerca de control de salida de material (gírela aprox. 1/4) hasta que la aguja se regrese libremente a la posición cerrada.

Preparación

PREPARESE PARA ROCIAR

Algunos fabricantes especifican que sus productos no se deben diluir. Generalmente, estas instrucciones se

refieren al uso de dichos productos para pintar con brochas o rodillos. Sin embargo, al usarlos para pintar con una rociadora el uso de diluyentes puede ser necesario. Consúltele al distribuidor de pinturas sobre los detalles específicos en el momento de su compra.

Cerciórese de mezclar bien el material después de haberle agregado el diluyente y antes de medirle la viscosidad. De no mezclarlo bien, el acabado será de mala calidad.

NOTA: Algunas pinturas de látex son muy espesas y requieren mucho más diluyente y mezcla. También puede usar un acondicionador para pinturas látex para mejorar el rendimiento al rociarlas (dicho acondicionador lo puede comprar en la mayoría de las ferreterías).

1. Cuele la pintura antes de rociarla. La pintura sin colar ni circula ni se espase bien. Cuando use materiales claros tales como lacas o tinturas, consúltele al distribuidor acerca de que tipo de colador debe usar.
2. Vierta el material en el envase. Llénelo de 1/2 a 3/4 de la capacidad si necesita diluir el material. (Vea la Figura 7). Las instrucciones para diluir el material se enumeran en la tabla de abajo.

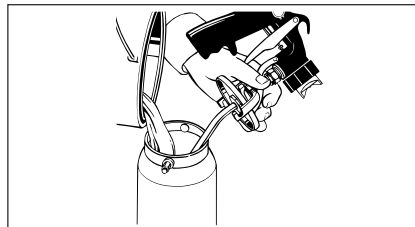


Fig. 7 - Para llenar el envase de pintura

AVISO Siga las recomendaciones del fabricante sobre el solvente adecuado que debe usar.

3. Siga los pasos siguientes, chequee la viscosidad del material antes de conectar la pistola al envase de pintura. (Figura 8).

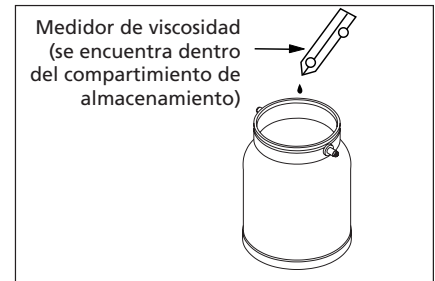


Figura 8 - Medidor de viscosidad

AVISO El medidor de viscosidad se encuentra en el compartimiento de almacenamiento.

- a. Meta el medidor de viscosidad en el material. Al sacarlo, un chorro de material escurrirá. Posteriormente, comenzará a gotear.
 - b. Calcule el intervalo de tiempo entre las primeras tres gotas. Este tiempo variará según el espesor o "viscosidad" del material.
 - c. El material está diluido adecuadamente si las primeras tres gotas caen más o menos con un segundo de diferencia.
 - d. Como regla general, si el tiempo entre las gotas es más de un segundo, el material está muy espeso. Agréguele diluyente, mézclelo y repita los mismos pasos hasta alcanzar la viscosidad adecuada.
4. Para apretar y cerrar el envase, colóquelo la abrazadera (cálzela en los ganchos del envase)
 5. Gire la palanca hacia la derecha hasta que se tranque. (Vea la Fig. 9).

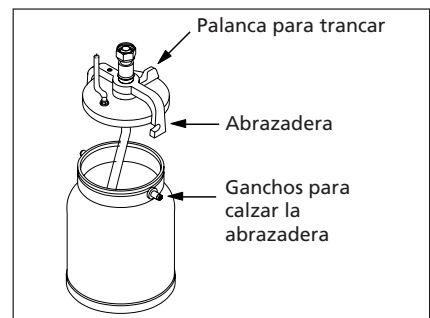


Figura 9 - Para trancar el envase

MATERIAL	PORCENTAJE REDUCIDO
Pinturas acrílicas.....	Siga las instrucciones del fabricante
Pinturas acrílicas.....	Siga las instrucciones del fabricante
Tinturas.....	No necesita diluirse
Selladores claros.....	No necesita diluirse
Lacas	Siga las instrucciones del fabricante
Pinturas a base de aceite.....	10 - 40%
Pinturas látex	15 - 20%

Preparación (continuación)

6. Conecte el conector rápido de la manguera a la pistola.

AVISO

La cubierta del conector rápido tiene un resorte y debe tirarlo hacia atrás para conectarlo o desconectarlo (Vea la Figura 10).

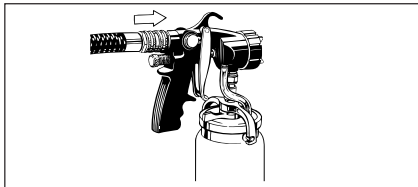


Fig. 10 - Para conectar la manguera de aire

Funcionamiento

Siempre practique primero. Ajuste la ensayándola en la superficie donde haga las prácticas (por ejemplo un cartón piedra) antes de rociar el área que desea pintar.

1. Mantenga la pistola a unas 4" - 9" (de 104 a 234cm) y paralela al objeto que esté pintando. (Vea la Figura 11). Si ha ajustado el patrón para pintar algo angosto tendrá que acercarla a unas 2" (52cm) del área de trabajo.

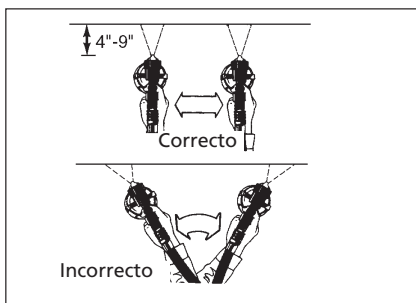


Figura 11 - Movimiento para pintar

2. Mueva la pistola en forma pareja. Comience a moverla antes de apretar el gatillo y continúela moviendo después de soltarlo.
3. Para obtener mejores resultados sobrepase cada mano de 25 a 50%.
4. Para ajustar el "tipo" de patrón de pintar, gire la tapa a la posición deseada. (Vea la Figura 12).
5. Para ajustar la salida de material, gire la perilla de control de salida de material en el sentido de las agujas del reloj para disminuirla y en sentido contrario para aumentarla. (Vea la Figura 13.)

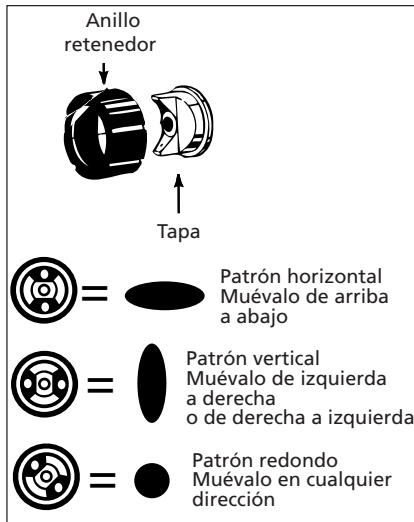


Figura 12 - Para ajustar el "tipo" de patrón

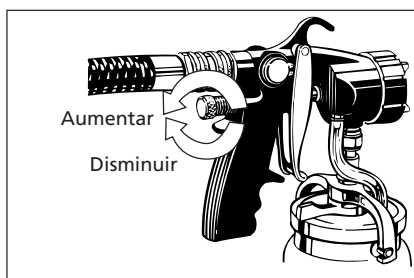


Fig. 13 - Para ajustar la salida de material

6. Para lograr un rociado fino, gire la perilla de control de salida de material hacia la derecha para disminuirlo y hacia la izquierda para aumentarlo. (Vea la Figura 14). Al reducir la salida de aire se reduce el desperdicio.

AVISO

La manguera de aire de la turbina se puede usar para secar las áreas donde haya rociado demasiada pintura o que se sequen lentamente.

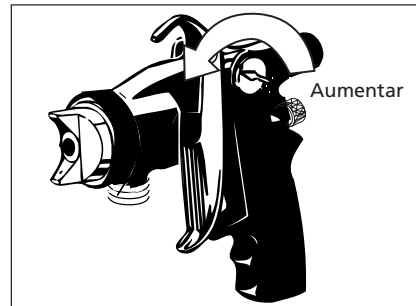


Figure 14 - Para ajustar el patrón fino

El aire que sale de la turbina es tibio debido al funcionamiento normal. Esto podría afectar la calidad del acabado cuando la use en días calidos secos ya que materiales como lacas se secan muy rápidamente. Para resolver este problema podría usar agentes retardantes. Consúltele al distribuidor del material sobre que tipo de agente debe usar y los pasos a seguir para mezclarlo.

Mantenimiento

LIMPIEZA

ADVERTENCIA

Cerórese de que el área esté bien ventilada si necesita usar solventes. Siga todas las regulaciones locales para deshacerse de los materiales.

1. Saque la perilla de control de salida de material, el resorte y la boquilla. (Apriete el gatillo para que la aguja salga más fácilmente). **NOTA:** El sacar la aguja antes de sacar la boquilla evitará que la aguja se dañe.
2. Use la llave suministrada para sacar el anillo retenedor y el anillo de salida de aire. (Vea la Figura 15).

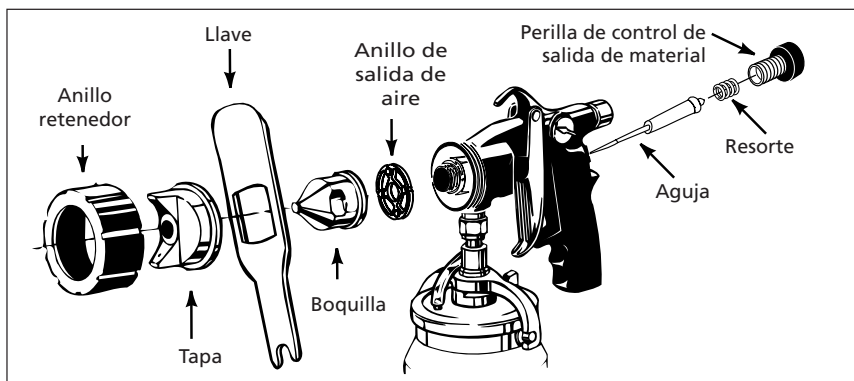


Figura 15 - Preparación para limpiar

Mantenimiento (continuación)

- Coloque todas las piezas y el envase de pintura en un cubo u otro recipiente adecuado. Remójelas en un solvente adecuado o en agua y jabón si usó pinturas látex (Vea la Figura 16). Para limpiar la pistola, circule un solvente adecuado por el tubo de material hasta que comience a aclararse. Repita el procedimiento desde el extremo de la boquilla de la pistola (Vea la Figura 16).

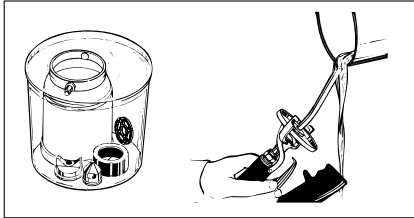


Fig. 16 - Para limpiar las piezas de la pistola

- Use el cepillo (saturado con solvente) cada vez que deje de circular agua para limpiar el tubo de material y la boquilla (Vea la Fig. 17).

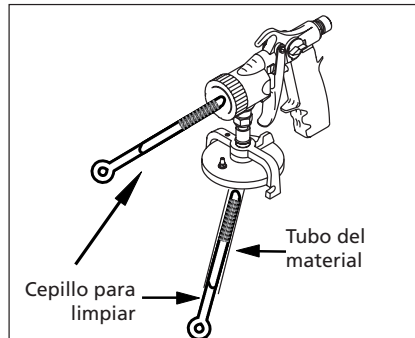


Fig. 17 - Para limpiar el tubo de material

- Coloque las piezas en el orden contrario que usó para desarmarlas (Vea la Figura 18). Para evitar que la aguja se dañe, siempre instale la boquilla antes de instalar la aguja.
- Después de haber limpiado bien los componentes, use la manguera de la turbina para secarlos. Esto evita que el material se contamine la próxima vez que use la rociadora y que ésta se oxide. (Vea la Figura 18).

AVISO

Al ensamblarlo, las cuatro protuberancias del anillo de salida de aire deben estar hacia adelante (hacia la boquilla). (Vea la Figura 18).

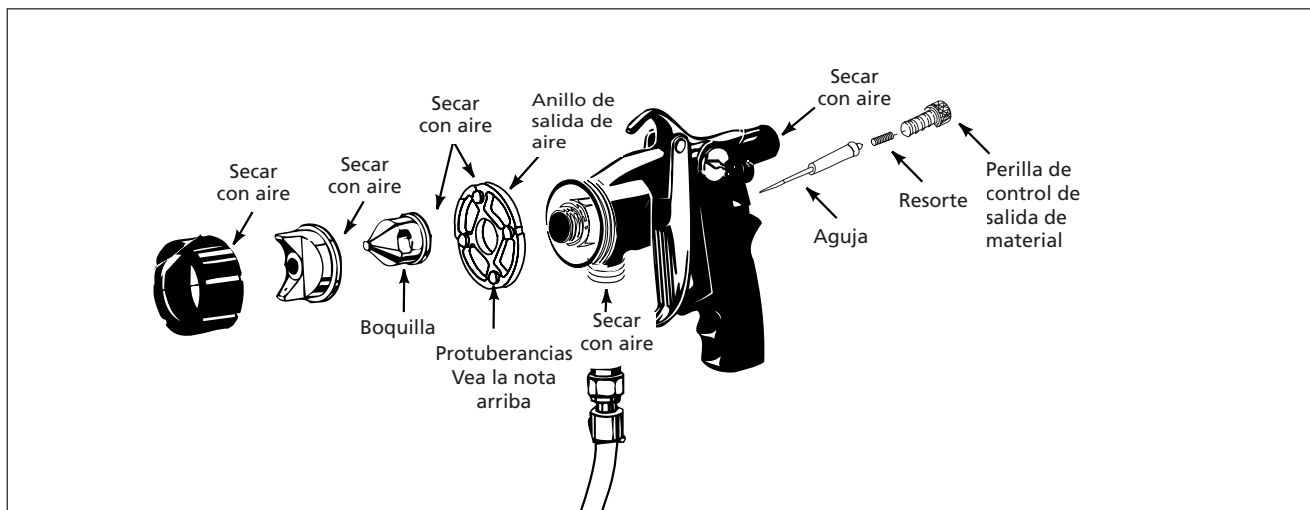


Figura 18 - Para secar con aire bajo presión los componentes

Guía de Diagnóstico de Averías

Problema	Posible(s) Causa(s)	Acción a Tomar
El material no circula	<ol style="list-style-type: none"> 1. La boquilla/tapa está atascada 2. El tubo de presión del envase o las uniones están atascados 3. La pistola está atascada 4. El tubo de material está atascado 5. Hay un escape en el empaque del envase 6. El material no está bien mezclado o filtrado 	<ol style="list-style-type: none"> 1. Desármela y límpiela 2. Desármelos y límpielos (puede usar un alfiler para limpiar las uniones) 3. Desármela y límpiela 4. Desarme y limpie la pistola y chequee la válvula 5. Revise el empaque y la tapa, reemplácelas de ser necesario 6. Cuélelo
El material circula lentamente	<ol style="list-style-type: none"> 1. El material está muy espeso 2. El control de salida de material no está bien ajustado 3. Ha colocado la aguja/boquilla equivocada 4. El filtro de aire está atascado 5. El material no está bien mezclado o filtrado 6. El material está muy frío 	<ol style="list-style-type: none"> 1. Limpie el tubo de material, la pistola y las uniones y diluya el material 2. Ajuste la perilla 3. Vea la tabla de selección de la aguja/boquilla 4. Sáquelo y reemplácelo 5. Cuélelo 6. Auméntele la temp. a 60°F (15°C)
Hay una fuga de material	<ol style="list-style-type: none"> 1. El envase o la pistola están dañados 2. El sistema de control de salida está flojo 3. El sistema de control de salida está desgastado o dañado 4. El sello del envase está desgastado o dañado 5. Las uniones del envase están flojas 6. La boquilla está floja 7. Ha colocado el ensamblaje de la aguja/boquilla equivocado 8. La aguja está dañada 9. La perilla de control de salida de material está floja 10. Hay un escape en el empaque del envase 	<ol style="list-style-type: none"> 1. Chequee y reemplace las piezas dañadas 2. Ajuste la tuerca 3. Sáquelo y reemplácelo 4. Sáquelo y reemplácelo 5. Apriételas 6. Apriétela 7. Vea la tabla de selección de la aguja/boquilla 8. Reemplácela 9. Ajuste la girándola en sentido de las agujas del reloj 10. Límpiela y séquelo antes de usarlo
No cesa de rociar	<ol style="list-style-type: none"> 1. La aguja está sucia 2. El sistema de control de salida está muy apretado 3. La perilla de control de salida de material está floja 	<ol style="list-style-type: none"> 1. Límpiela o reemplácela 2. Ajuste la tuerca 3. Apriétela
El rocío es inconsistente	<ol style="list-style-type: none"> 1. Hay un escape en el empaque del envase o en la válvula de chequeo 2. El sistema de control de salida está desajustado 3. Las uniones del envase o la pistola están flojas 4. El anillo retenedor de la tapa está flojo 5. La boquilla está floja 6. El anillo de salida de aire está dañado 7. El material no está bien mezclado o filtrado 	<ol style="list-style-type: none"> 1. Desármelo y límpielo 2. Ajuste la tuerca o reemplace el sistema 3. Apriételas 4. Apriételo 5. Apriétela 6. Reemplácelo 7. Cuélelo
Desperdicio excesivo de material	<ol style="list-style-type: none"> 1. El material está muy diluido 2. La salida de aire es excesiva 3. Ha colocado la aguja/boquilla equivocada 4. La pistola está muy alejada del área de trabajo 5. El viento está soplando el material rociado 6. La salida de material es excesiva 7. El material no está bien mezclado o filtrado 	<ol style="list-style-type: none"> 1. Chequee la viscosidad del material (añada material no diluido) 2. Ajuste la salida de aire 3. Ha colocado el ensamblaje de la aguja/boquilla equivocada 4. Acérquela al área de trabajo 5. Muévase a un área donde el viento no sople 6. Ajuste la perilla de control de salida de material 7. Cuélelo

Guía de Diagnóstico de Averías

Problema	Posible(s) Causa(s)	Acción a Tomar
El rociado es incorrecto (salpicado)	<ol style="list-style-type: none"> 1. El material está muy espeso 2. Ha colocado el ensamblaje de la aguja/boquilla equivocado 3. Hay un escape en el empaque del envase 4. El sistema de control de salida está flojo 5. El material no está bien mezclado o filtrado 	<ol style="list-style-type: none"> 1. Chequee la viscosidad del material (Dilúyalo según las instrucciones) 2. Coloque la adecuada 3. Apriételo, reemplace el empaque o chequee la válvula 4. Ajústelo o reemplácelo 5. Cuélelo
El patrón es incorrecto	<ol style="list-style-type: none"> 1. Hay acumulación de material en la boquilla o tapa 2. La aguja/boquilla está desgastada 3. La tapa está atascada 4. El material no está bien mezclado o filtrado 	<ol style="list-style-type: none"> 1. Limpie la boquilla y la tapa 2. Reemplácela 3. Límpiela 4. Cuélelo
Se recalienta	<ol style="list-style-type: none"> 1. El filtro de aire está atascado 	<ol style="list-style-type: none"> 1. Reemplácelo
El aire no sale bien	<ol style="list-style-type: none"> 1. El filtro de aire está atascado 2. El control de salida de material no está bien ajustado 	<ol style="list-style-type: none"> 1. Reemplácelo 2. Ajuste la perilla
La boquilla se atasca	<ol style="list-style-type: none"> 1. El control de salida de material no está bien ajustado 2. Hay un escape en el empaque del envase 3. Ha colocado la aguja/boquilla equivocada 	<ol style="list-style-type: none"> 1. Ajústelo 2. Reemplácelo 3. Coloque la adecuada

Guía de Diagnóstico de Averías - Calidad del acabado

Problema	Posible(s) Causa(s)	Acción a Tomar
La pintura se escarcha (Luce similar a la cáscara de una naranja)	<ol style="list-style-type: none"> 1. El material se está secando muy rápido 2. La pistola está muy lejos del área de trabajo 3. El material está muy espeso 	<ol style="list-style-type: none"> 1. Use un solvente menos activo o añádale un agente retardante 2. Acérquela al área de trabajo 3. Dilúyalo según las instrucciones
Arranca y se apaga	<ol style="list-style-type: none"> 1. El material está muy diluido 2. Está moviendo la pistola muy lentamente 3. La salida de material es excesiva 4. La pistola está muy cerca al área de trabajo 	<ol style="list-style-type: none"> 1. Añada material para espesarlo 2. Muévala más rápidamente 3. Reduzca la salida de material (gire la perilla hacia la derecha) 4. Aléjela del área de trabajo
El solvente sobresale	<ol style="list-style-type: none"> 1. Hay solvente atascado 2. Los pigmentos se fijan 3. El sistema está contaminado 	<ol style="list-style-type: none"> 1. Aplique menos material en cada mano para que el solvente tenga tiempo de evaporarse 2. El material puede estar dañado 3. Limpie todas las piezas bien
Acabado descolorido	<ol style="list-style-type: none"> 1. Posiblemente haya contaminación de silicón 	<ol style="list-style-type: none"> 1. Use un solvente para limpiar todas las piezas y áreas de trabajo
Aparecen burbujas	<ol style="list-style-type: none"> 1. La superficie está húmeda 2. La pintura (material) usado no es compatible con la base que usó 	<ol style="list-style-type: none"> 1. Seque la superficie 2. Cerciórese que éstos se pueden mezclar
La superficie es aspera	<ol style="list-style-type: none"> 1. La superficie está sucia 	<ol style="list-style-type: none"> 1. Limpie la superficie bien
Acabado disperejo	<ol style="list-style-type: none"> 1. Diluyó demasiado el material 2. Está rociando incorrectamente 	<ol style="list-style-type: none"> 1. Use menos adelgazador 2. Vea las instrucciones para rociar en la sección de "Funcionamiento"

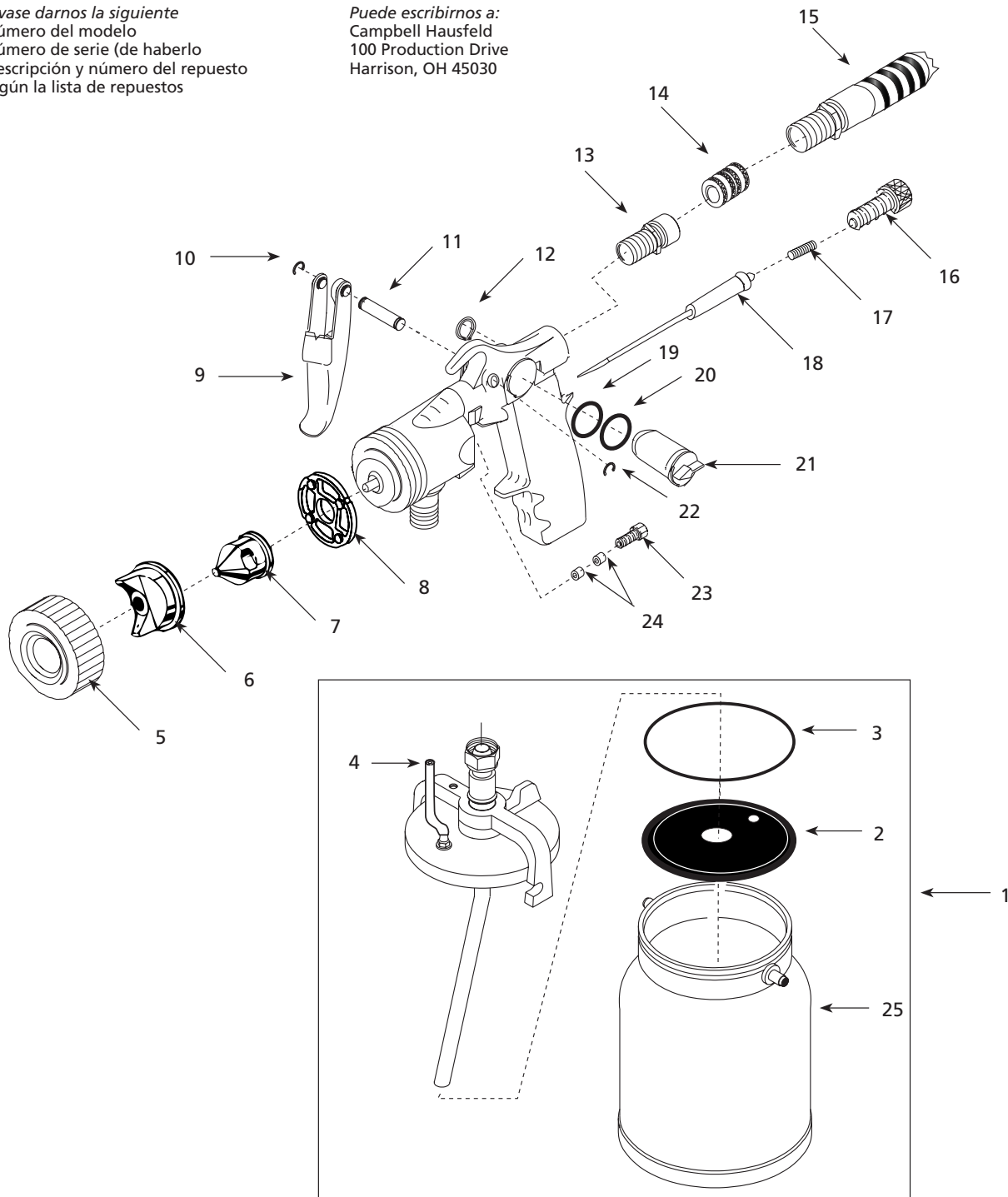
NOTA:

- Al rociar ciertos materiales las condiciones climatológicas pueden dar como resultado un mal acabado
- El clima muy húmedo prolonga el tiempo para que la pintura se fije y se seque.
- El clima muy cálido disminuye el tiempo para que la pintura se fije y se seque.
- El clima muy frío prolonga el tiempo para que la pintura se fije y se seque.
- Las variaciones en temperatura y humedad pueden afectar la calidad del acabado
- Los fabricantes le pueden recomendar el uso de ciertos aditivos para resolver estos problemas. Si tiene algún problema específico consúltele al fabricante.

Para Ordenar Repuestos o Asistencia Técnica, Sírvase Llamar al Distribuidor Más Cercano a Su Domicilio

Sírvase darnos la siguiente
-Número del modelo
-Número de serie (de haberlo)
-Descripción y número del repuesto
según la lista de repuestos

Puede escribirnos a:
Campbell Hausfeld
100 Production Drive
Harrison, OH 45030



Lista De Repuestos

No. de Ref.	Descripción	Número del Repuesto	Ctd.
1	Ensamblaje del envase (como se muestra)	SK205800AJ	1
2	■ Válvula de chequeo	HV004400AV	1
3	■ Juego del ensamblaje del envase (Incluye 3)	SK206401AJ	1
4	■ Tubo de presión	SK105100AJ	1
5	Anillo retenedor	HV000901AV	1
6	Juego de piezas de la tapa de aire	HV011000SV	1
7	Boquilla	Vea la tabla	1
8	Anillo de salida de aire	HV001201AV	1
9	Gatillo	◆ *	1
10	Anillo en E	◆	1
11	Gancho para sujetar el gatillo	◆	1
12	Anillo retenedor	▲	1
13	* Unión de conector rápido (macho)	HV003500AV	1
14	Unión de conector rápido	HV002200AV	1
15	Manguera	MP310600AV	1
16	Perilla de control de salida de material	HV003400SV	1
17	Resorte	HV002900AV	1
18	Aguja	Vea la tabla	1
19	Anillo en O	▲	1
20	Anillo en O	▲	1
21	Válvula para el control del flujo de aire	▲ *	1
22	Anillo en E	◆	1
23	* Tuerca de control de salida de material	HV003200SV	1
24	* Sistema de control de salida de material	HV002800SV	2
25	Envase	DH077900AV	1

Juego De Repuestos

No. de Ref.	Descripción	Repuesto Numero	Ctd.
■	Ensamblaje del envase (Incluye los números 2-4)	SK205800AJ	1
◆	Ensamblaje del gatillo (Incluye los números 9-11 y 22)	SK206100AJ	1
▲	Ensamblaje de la perilla de control de salida de aire (Incluye los números 12, 19-21)	SK206200AJ	1
*	Ensamblaje del cuerpo de la pistola (como se muestra, incluye los números 9-13 & 16-24)	SK600000AJ	1

Nota: El juego de piezas de la tapa de aire incluye #5, 6 & 8
Sólo la tapa de aire (pistolas con la marca Campbell Hausfeld grabada en el mango)

HV000801AV

Juego de Aguja/Boquilla	Pistola con las insignias CH grabadas	Pistola con mango liso
Material claro	HV7005	MP3018
Todo tipo de usos	HV7004	MP3017
Material Espeso	HV7006	MP3019

Garantía Limitada

1. DURACIÓN: A partir de la fecha de compra por parte del comprador original, es como sigue: Sistemas de aplicación de pintura para servicio normal y todos los accesorios de aplicación de pintura: 1 año. Sistemas de aplicación de pintura para servicio pesado: 3 años. Sistemas de aplicación de pintura para servicio extremo: 5 años.
2. QUIÉN EMITE ESTA GARANTÍA (EL GARANTE): Campbell Hausfeld/Una Empresa Scott Fetzer, 100 Production Drive, Harrison, Ohio, 45030, Teléfono: 1-800-626-4401.
3. QUIÉN RECIBE ESTA GARANTÍA (EL COMPRADOR): El comprador original (que no sea para fines de reventa o alquiler) del producto de Campbell Hausfeld.
4. QUÉ PRODUCTOS ESTÁN AMPARADOS POR ESTA GARANTÍA: Todos los sistemas de aplicación de pintura no accionados por compresor, los sistemas de rociado de HVLP y los accesorios de aplicación de pintura suministrados o fabricados por el garante.
5. QUÉ ES LO QUE CUBRE ESTA GARANTÍA: Defectos de material y mano de obra que ocurran dentro del período de duración de la garantía. El garante también cubrirá artículos de desgaste normal por un período de 30 días a partir de la fecha de compra original, contra defectos de material y mano de obra. Estos artículos de desgaste son: filtros de HVLP, escobillas de motor, empaque de la pistola, sello del depósito de la pistola, válvula de retención de la pistola y el aro de flujo de aire de la pistola; válvula de admisión sin aire, válvula de salida, válvula de pistola, filtros, boquillas, todas las juntas y los anillos en "O".
6. QUÉ ES LO QUE NO CUBRE ESTA GARANTÍA:
 - A. Las garantías implícitas, incluyendo las de comercialización E IDONEIDAD PARA UN PROPÓSITO ESPECÍFICO, TIENEN UN LÍMITE DE UN AÑO A PARTIR DE LA FECHA DE COMPRA ORIGINAL, TAL COMO SE ESTABLECE EN LA "DURACIÓN". Si un producto de servicio normal se utiliza para fines comerciales o industriales, la garantía registrará por noventa (90) días a partir de la fecha de compra original. Si el producto se usa para fines de alquiler, la garantía registrará por noventa (90) días desde la fecha de compra original. Algunos estados no permiten la limitación de la duración de una garantía implícita, de modo que estas restricciones tal vez no rijan para Ud.
 - B. CUALQUIER PÉRDIDA, DAÑO O GASTO EMERGENTE, INDIRECTO O DERIVADO QUE PUEDA RESULTAR DE CUALQUIER DEFECTO, FALLA O DESPERFECTO DEL PRODUCTO DE CAMPBELL HAUSFELD. Algunos estados no permiten la exclusión o limitación de daños emergentes o consecuentes, por lo que la limitación arriba mencionada podría no regir para Ud.
 - C. Cualquier falla resultante de un accidente, mal uso, negligencia u omisión en operar el producto conforme a las instrucciones contenidas en el manual o manuales del propietario, suministrados con el producto. El accidente, mal uso del comprador, negligencia u omisión en operar los productos de acuerdo a las instrucciones incluirán también la remoción o alteración de cualquier dispositivo de seguridad. Si tales dispositivos de seguridad son removidos o alterados, esta garantía no tendrá validez.
 - D. Ajustes normales que se explican en el manual del propietario suministrado con el producto.
 - E. Artículos o servicios normalmente requeridos para mantener el producto: filtros de HVLP, escobillas de motor, empaque de la pistola, sello del depósito de la pistola, válvula de retención de la pistola, y el aro de flujo de aire de la pistola; válvula de admisión sin aire, válvula de salida, válvula de pistola, filtros, boquillas, todas las juntas y los anillos en "O" o cualquier otra pieza consumible no indicada específicamente, serán cubiertos solamente durante 30 días desde la fecha de compra original.
7. RESPONSABILIDADES DEL GARANTE EN VIRTUD DE ESTA GARANTÍA: Reparar o reemplazar, a opción del garante, los productos o componentes que sean defectuosos, hayan funcionado mal o que no estén conformes dentro del período de garantía.
8. RESPONSABILIDADES DEL COMPRADOR EN VIRTUD DE ESTA GARANTÍA:
 - A. Proporcionar prueba de fecha de la compra y registros de mantenimiento.
 - B. Entregar o embarcar el producto de Campbell Hausfeld al Centro de Servicio Autorizado de Campbell Hausfeld más cercano. El costo de fletes, si lo hubiera, será sufragado por el comprador.
 - C. Ejercer cuidado razonable en la operación y mantenimiento del producto descrito en el (los) manual(es) del propietario.
9. CUÁNDO EFECTUARÁ EL GARANTE LA REPARACIÓN O REEMPLAZO AL AMPARO DE ESTA GARANTÍA:
 - A. La reparación o el reemplazo se programarán de acuerdo al flujo normal de trabajo en el centro de servicio, dependiendo de la disponibilidad de piezas de repuesto.
 - B. Si el comprador no obtiene resultados satisfactorios de un Centro de Servicio Autorizado, el comprador debe contactar al Departamento de Servicio al Cliente de Campbell Hausfeld (ver párrafo 2).

Esta garantía limitada se aplica en los Estados Unidos y Canadá y sólo le otorga derechos legales específicos, pudiendo también asistirle otros derechos, los cuales varían de un estado a otro o de un país a otro.

Free Manuals Download Website

<http://myh66.com>

<http://usermanuals.us>

<http://www.somanuals.com>

<http://www.4manuals.cc>

<http://www.manual-lib.com>

<http://www.404manual.com>

<http://www.luxmanual.com>

<http://aubethermostatmanual.com>

Golf course search by state

<http://golfingnear.com>

Email search by domain

<http://emailbydomain.com>

Auto manuals search

<http://auto.somanuals.com>

TV manuals search

<http://tv.somanuals.com>