

Please read and save these instructions. Read carefully before attempting to assemble, install, operate or maintain the product described. Protect yourself and others by observing all safety information. Failure to comply with instructions could result in personal injury and/or property damage! Retain instructions for future reference.



Electric Pressure Washer

NOTE: REFER TO PRODUCT MANUAL FOR ALL SAFETY INSTRUCTIONS

Specifications

Model	Cleaning Power	Max Pressure with Standard Lance	Maximum Capacity	Motor Power (Single Phase)	Voltage	Maximum Inlet Water Temp.	Unit Weight
PW1686	2640	1650 psi	1.6 GPM	14 Amps	120V	100°F	38 lbs.

Assembly Instructions

1. Attach detergent suction tube to hose barb on detergent tank and put cap on detergent tank (Figure 1).
2. Slide accessory storage bracket onto back of pressure washer (Figure 1).
3. Slide cord holder and lance storage collar onto side of pressure washer (Figure 1).
4. Align handle on back of pressure washer and attach using screws provided (Figure 1).
5. Assemble one wheel to axle and slide through back of pressure washer and detergent tank (Figure 2).

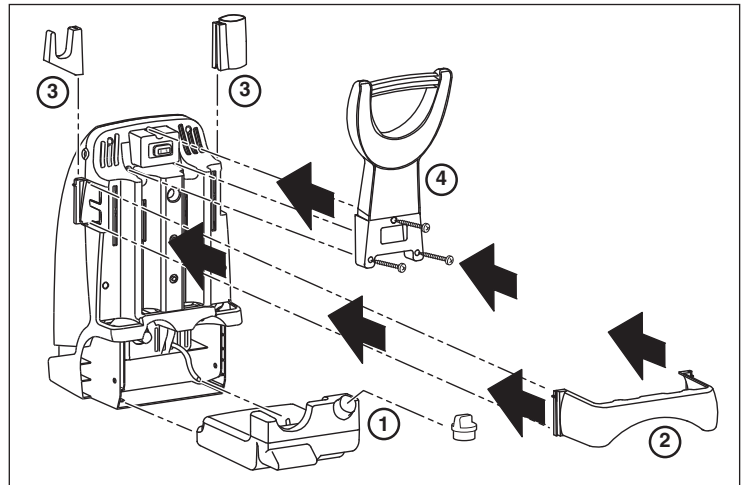


Figure 1

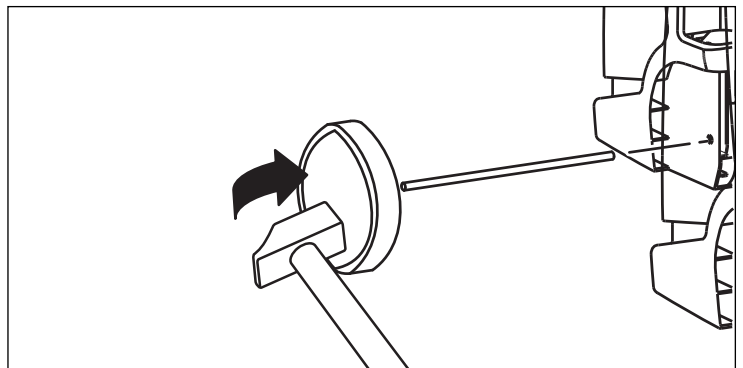


Figure 2

Assembly Instructions (Continued)

6. Assemble second wheel to axle (Figure 3).
7. Attach hose holder with screws provided (Figure 4).
8. Attach lance storage holder with screw provided (Figure 5).
9. Align hub cap locking tabs with wheels and press into place (Figure 5).

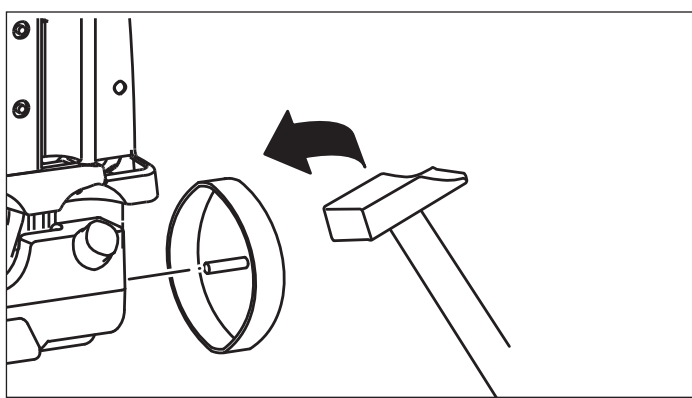


Figure 3

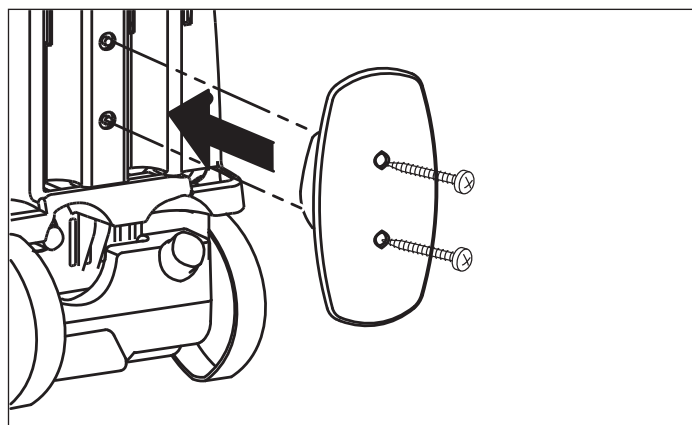


Figure 4

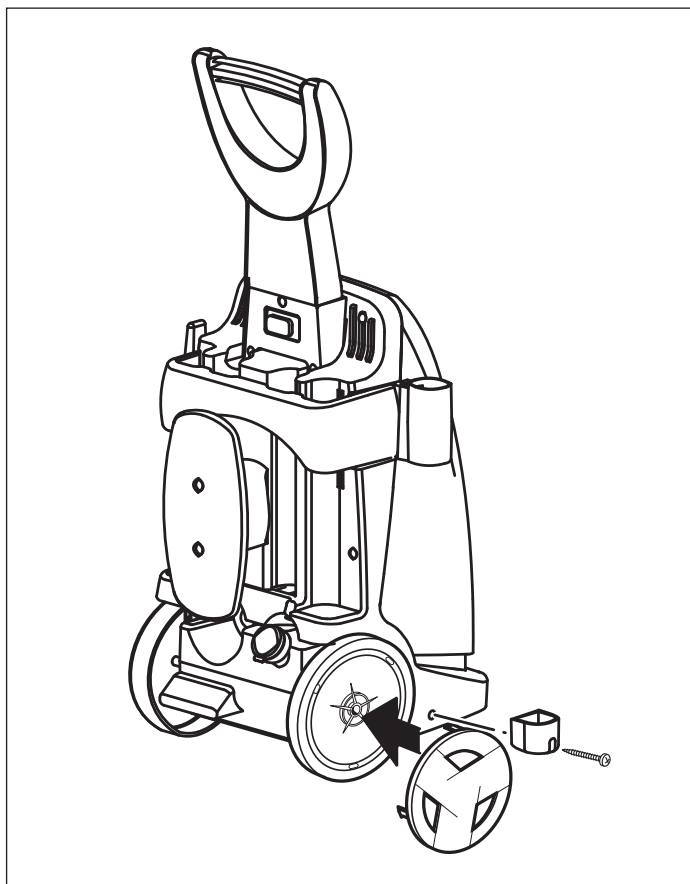


Figure 5

Garden Hose Connection

GARDEN HOSE CONNECTION INSTRUCTIONS

1. Attach nipple adapter to inlet fitting on the unit (this may already be attached to the pump).
2. Attach quick connect fitting to garden hose.
3. Pull side "A" of quick connect fitting toward garden hose and push onto nipple adapter.
4. Push side "A" of quick connect fitting towards nipple adapter and release.

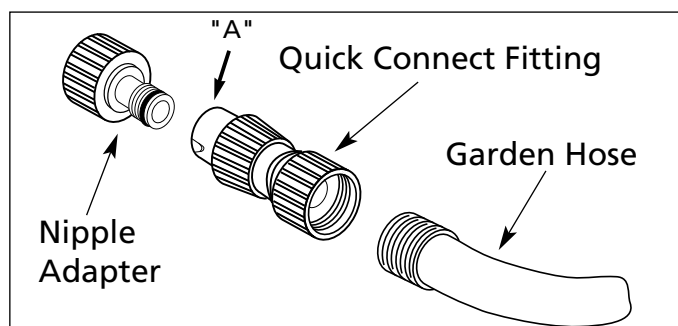


Figure 6 - Garden Hose Connection

Power Cord

1. Plug the power cord into a grounded 120V outlet and press the reset button as shown in Figure 7.
2. THIS MUST BE DONE EACH TIME THE UNIT IS PLUGGED IN AN OUTLET.

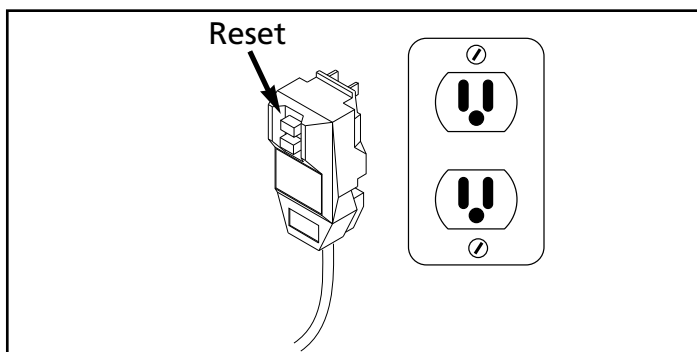


Figure 7 - Grounded plug/reset button

! IMPORTANT !

This pressure washer is equipped with a microswitch sensitive to water flow. This Instant Start/Stop switch (ISS) senses water flow in the pump. When the trigger is released, water stops flowing through the pump. The ISS then automatically turns the motor off to protect pump from overheating.

OPERATION

1. Pull trigger on gun.
2. Turn the "ON/OFF" switch to "ON".
3. Release trigger. The pressure washer motor will stop running.
4. To spray again, pull trigger and motor and pump will restart.

Note: Occasionally the motor may run for a short time to bring fresh, cool water into the pump even if trigger is released. This is part of normal operation and will not damage the unit.

Always turn the

CAUTION *"ON/OFF" switch to "OFF" then trigger gun to release hose pressure before unplugging power cord.*

Risk of equipment damage.

CAUTION *Always make sure the "ON/OFF" switch on the unit is "OFF" and unit is unplugged prior to storage.*

Risk of Injection.

WARNING *Unit will start spraying when trigger is squeezed if on/off switch is in "ON" position. Always point gun in safe direction.*

**Call 1-800-330-0712
for Technical Service**

System Connection

1. Insert lance into the gun and turn clockwise to positive stop as shown in Figure 8.

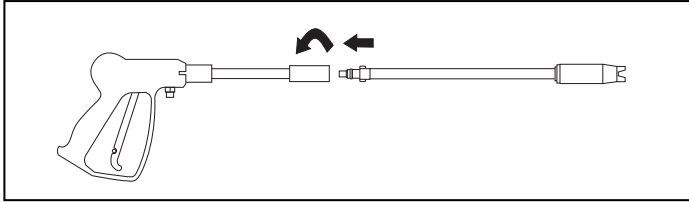


Figure 8 - Gun/Lance Connection

2. Ensure that the power switch is in the "OFF" position.
3. Attach the high pressure hose and gun assembly to the unit.

4. Connect garden hose as explained under **Garden Hose Connection Instructions**.
5. Plug the power cord into a grounded 120V outlet, that is on a dedicated circuit.
6. Turn water on.
7. Depress and hold the trigger on the gun for one minute to release pressure and remove any air trapped in the system.
8. Turn the "ON/OFF" switch to the "ON" position.

NOTE: REFER TO PRODUCT MANUAL FOR OPERATING INSTRUCTIONS

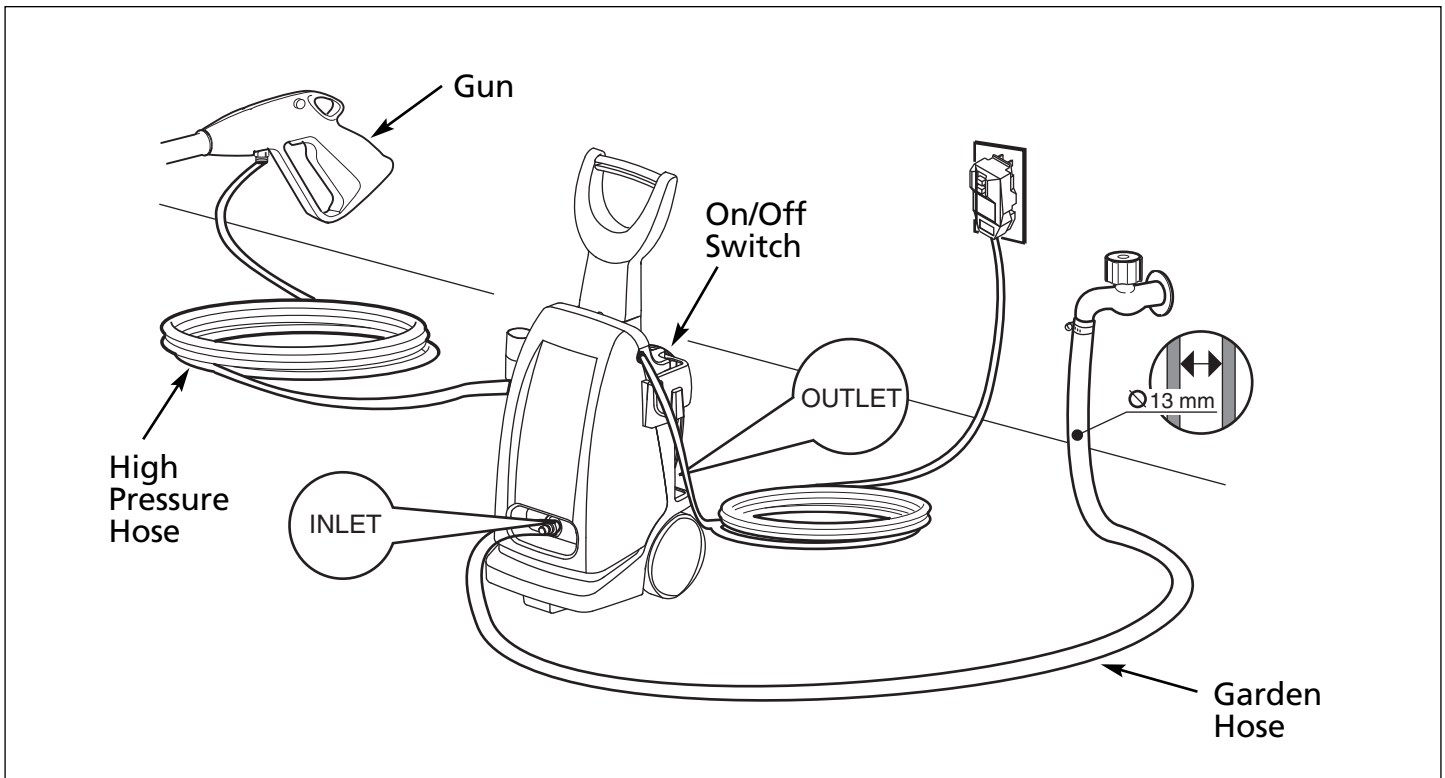


Figure 9

Replacement Parts List

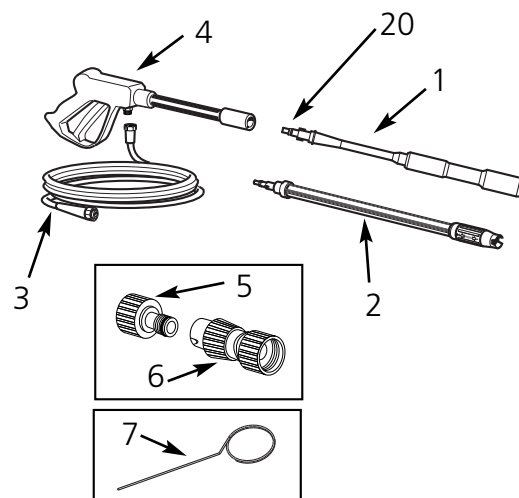
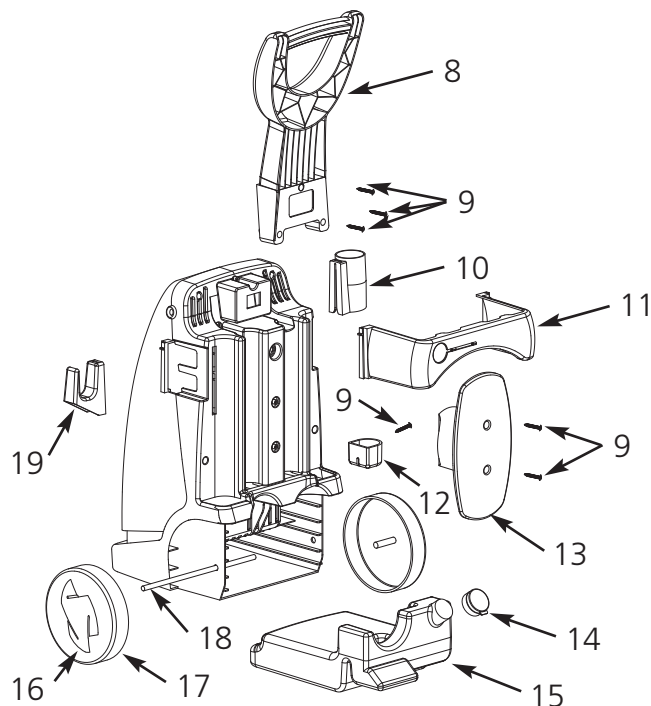
**For Replacement Parts,
Call 1-800-330-0712**

Please provide following information:

- Model number
- Serial number (if any)
- Part description and number as shown in parts list

Address parts correspondence to:

The Campbell Group / Parts Dept.
100 Production Drive
Harrison, OH 45030 U.S.A.



Ref. No.	Description	Part Number	Qty.
1	Adjustable pressure lance	PM271080SV	1
2	Turbo lance	PM022621AV	1
3	Hose	PM243600AV	1
4	Gun	PM037201SJ	1
5	Nipple adapter	PM022100AV	1
6	Quick connect fitting	PM020600SV	1
7	Tip cleaner	PM008500AV	1
8	Handle	PM271000SV	1
9	Hardware pack	PM271010SV	1
10	Lance storage collar	PM271020SV	1
11	Accessories storage bracket	PM271030SV	1
12	Lance storage holder	PM271040SV	1
13	Hose holder	PM270050SV	1
14	Detergent tank cap	PM060000SV	1
15	Detergent tank	PM271050SV	1
16	Wheel cover	PM066300SV	2
17	Wheel	PM066301SV	2
18	Axle	PM271060SV	1
19	Cord holder	PM271070SV	1
20	O-ring	PM232200SV	1

Free Manuals Download Website

<http://myh66.com>

<http://usermanuals.us>

<http://www.somanuals.com>

<http://www.4manuals.cc>

<http://www.manual-lib.com>

<http://www.404manual.com>

<http://www.luxmanual.com>

<http://aubethermostatmanual.com>

Golf course search by state

<http://golfingnear.com>

Email search by domain

<http://emailbydomain.com>

Auto manuals search

<http://auto.somanuals.com>

TV manuals search

<http://tv.somanuals.com>