



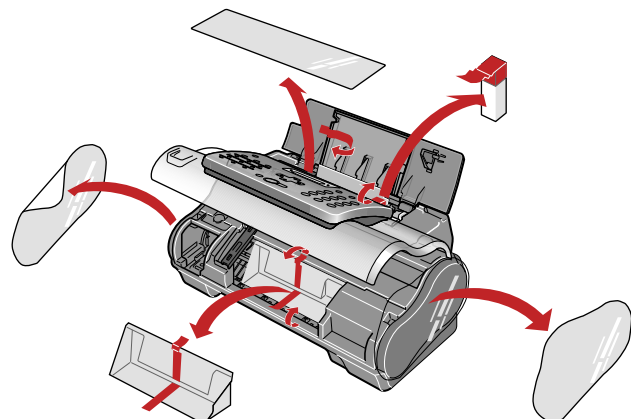
**Unpack the Machine** • Please confirm the included items against the illustration printed on the lid of the packing box.

**Important**  
When cleaning the exterior of the machine, use a soft cloth to wipe it gently. For details, refer to "Cleaning Your Machine" in the User's Guide.

QT5-0849-V03

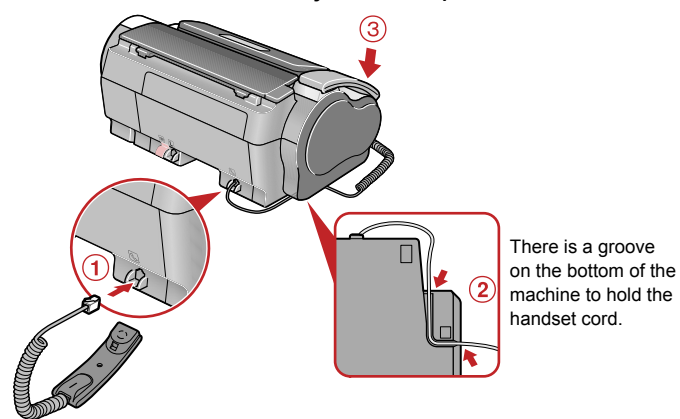
# 1 Prepare the Machine

1 Open the Printer Cover and remove the protective materials.



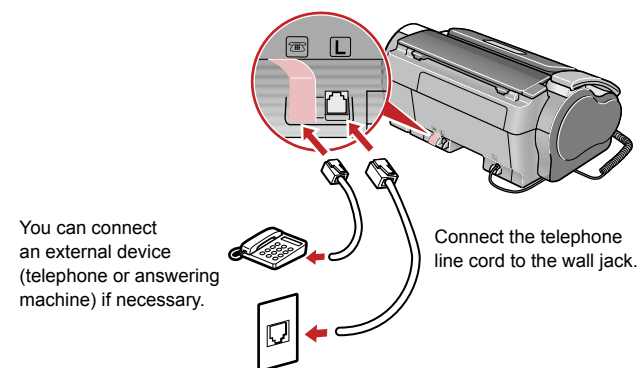
**Note**  
The actual protective materials may differ in shape, quantity, and position from the ones shown in the illustration above.

2 Connect the Handset to the jack, and place it in its cradle.



There is a groove on the bottom of the machine to hold the handset cord.

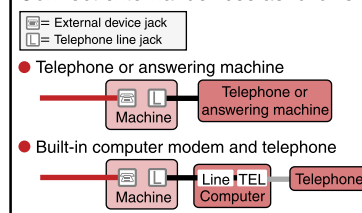
3 Connect the telephone line and any necessary external device. For more details, see "Step 5" on the back of this sheet.



You can connect an external device (telephone or answering machine) if necessary.

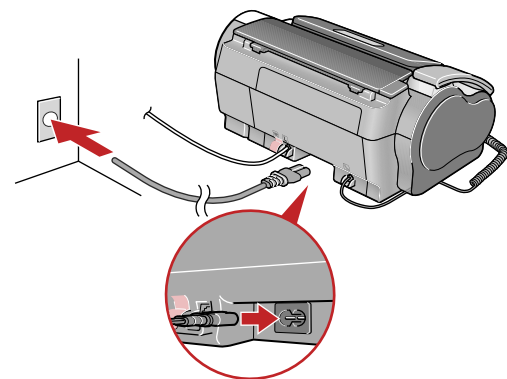
Connect the telephone line cord to the wall jack.

Connect external devices as follows

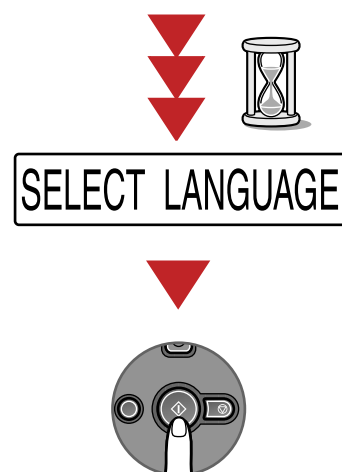
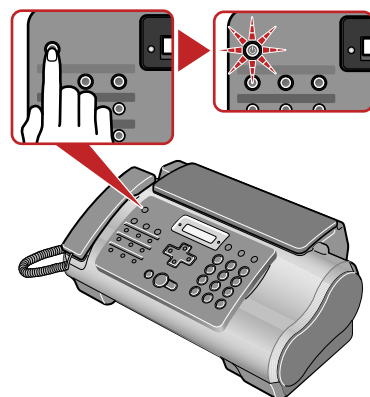


**Important**  
Be sure to use supplied telephone line cable.

4 Plug the power cord into the back of the machine and connect the other end to a power outlet.

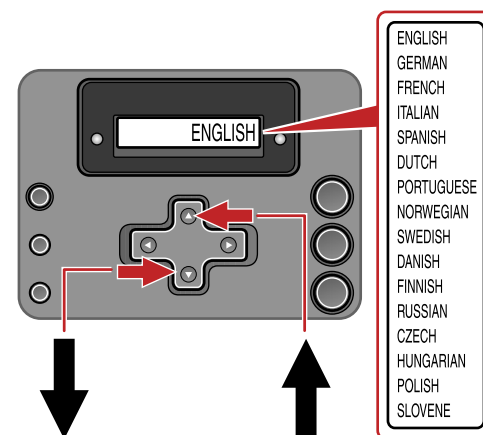


5 Press [ON/OFF].

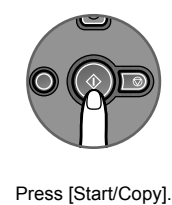


Press [Start/Copy].

6 Use [▲] or [▼] on the Operation Panel to select the language for the LCD, then press [Start/Copy].



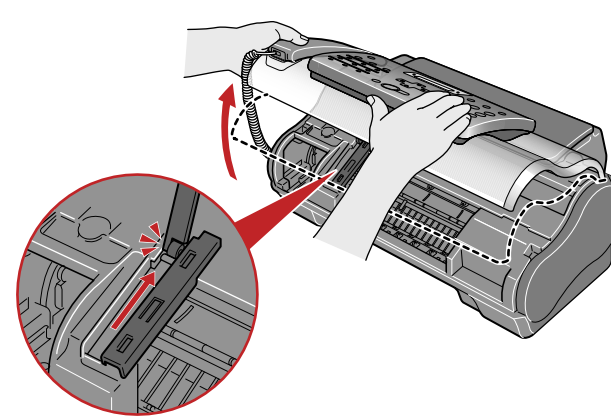
Press [▲] or [▼] to select the language.



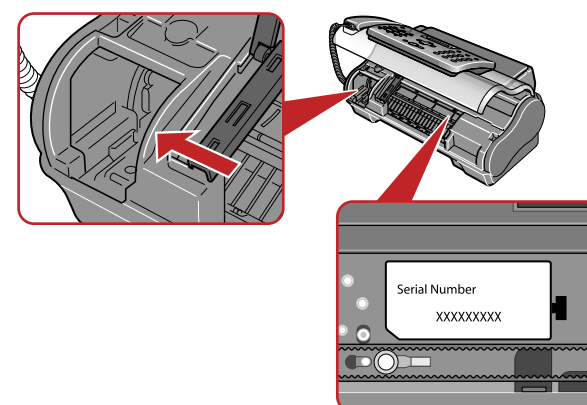
Press [Start/Copy].

# 2 Install the FINE Cartridge

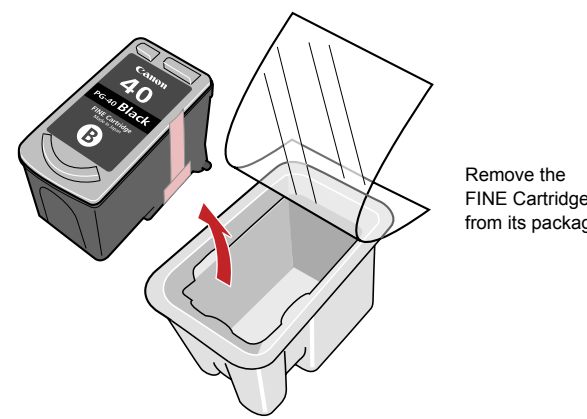
1 Lift the Printer Cover until it locks into place.



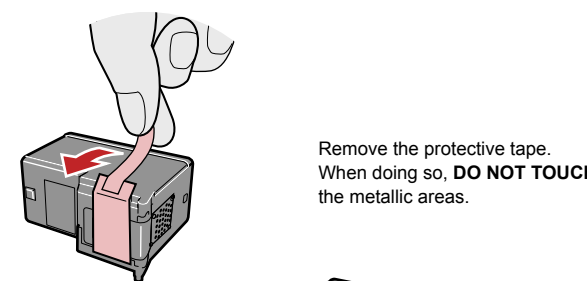
2 When the Printer Cover is opened, the Cartridge Holder will move to the left.



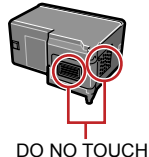
3 Prepare the FINE Cartridge.



Remove the FINE Cartridge from its package.

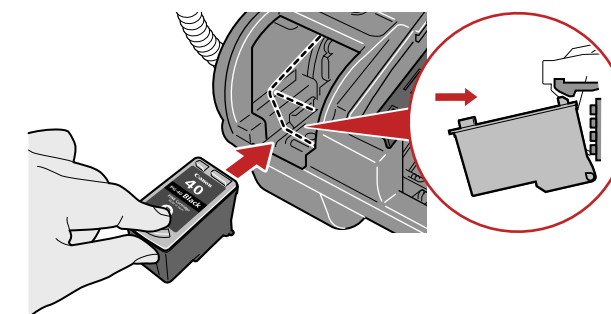


Remove the protective tape. When doing so, **DO NOT TOUCH** the metallic areas.

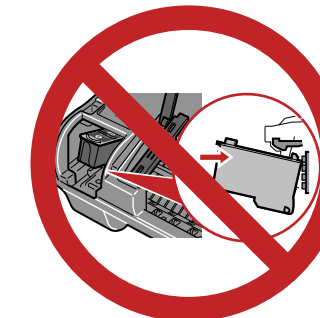
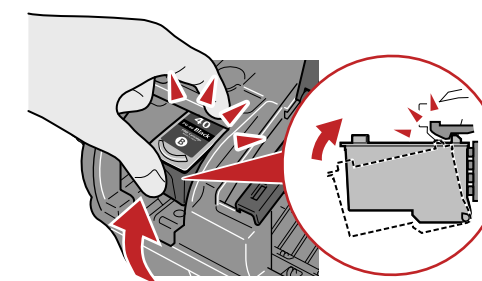


DO NOT TOUCH.

4 Insert the FINE Cartridge slightly slanted into the Cartridge Holder.

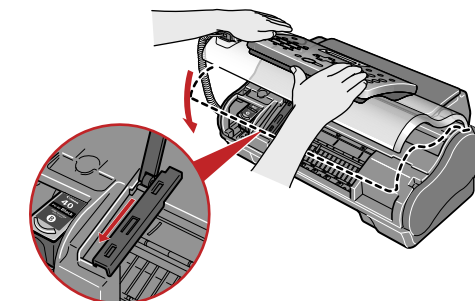


5 Push up the FINE Cartridge until it clicks into place.

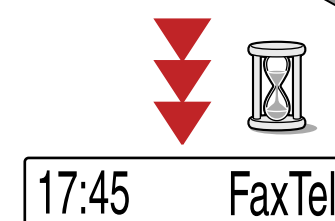


**DO NOT** put the head of the FINE Cartridge downward into the Cartridge Holder.

6 Close the Printer Cover.



Wait until the preparation operation is completed: this takes about one to two minutes.



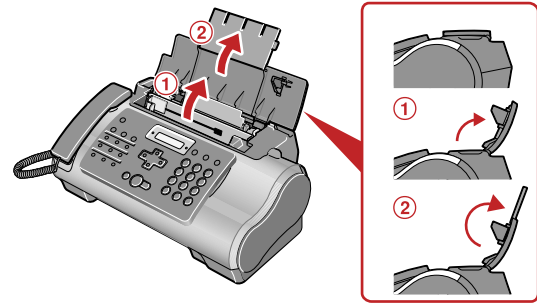
**Turn Over**

For the instructions for Loading Paper, Setting RECEIVE Mode, Connecting the Machine, and Replacing the Cartridge.

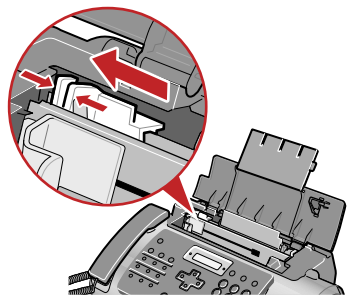


### 3 Loading Paper

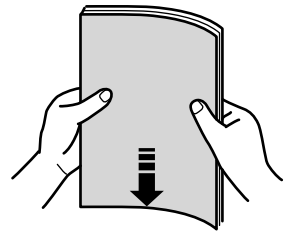
1 Open the Document Cover and extend the Paper Support to support the paper.



2 Squeeze, then slide the Paper Guide to the left.

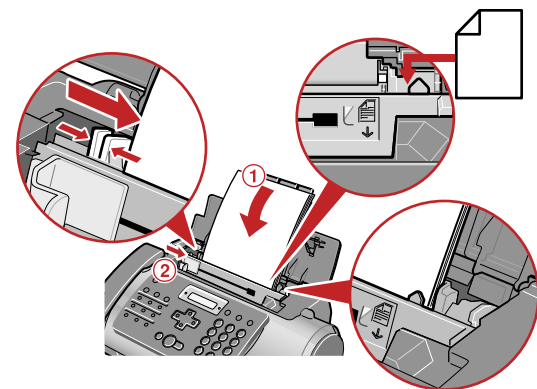


3 Tap the edge of the stack on a flat surface to even the stack.

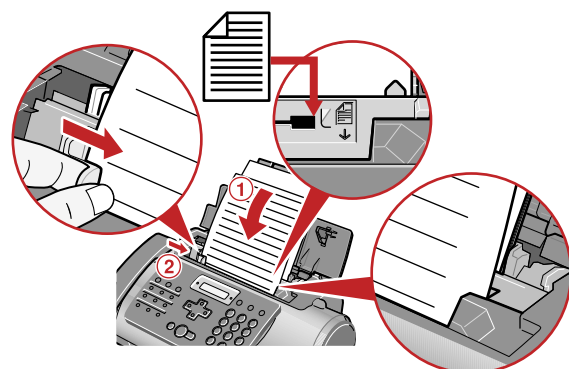


4 Insert the stack face up into the Multi-Purpose Tray 1, and align the right edge of the stack with the right side of the Multi-Purpose Tray. Then slide the Paper Guide 2 snugly against the left edge of the stack.

Be careful not to press the Paper Guide strongly against the stack, or the paper will not be fed properly.



5 Adjust the Document Guide to the width of the document, and gently insert the top of the document face up into the Document Tray until you hear a beep.



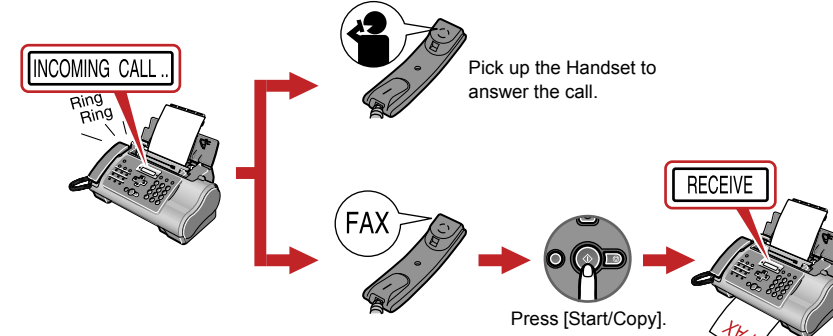
### 4 Setting RECEIVE Mode

Press [Receive Mode/Resolution] to change the receive mode.

For details on ANS.MACHINE MODE, refer to "Receiving Documents with an Answering Machine: ANS.MACHINE MODE" in "Receiving Faxes" of the *User's Guide*.

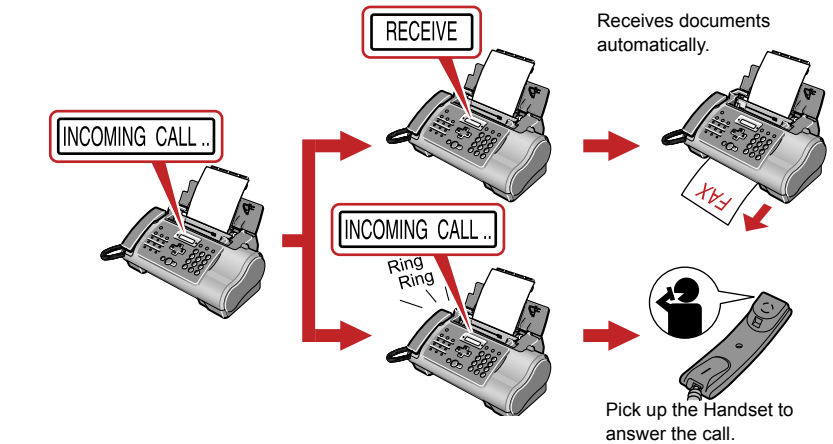
For details on DRPD, refer to "Receiving with a DRPD (Distinctive Ring Pattern Detection) service: DRPD" in "Receiving Faxes" of the *User's Guide*.

#### MANUAL Mode [17:45 Manual]



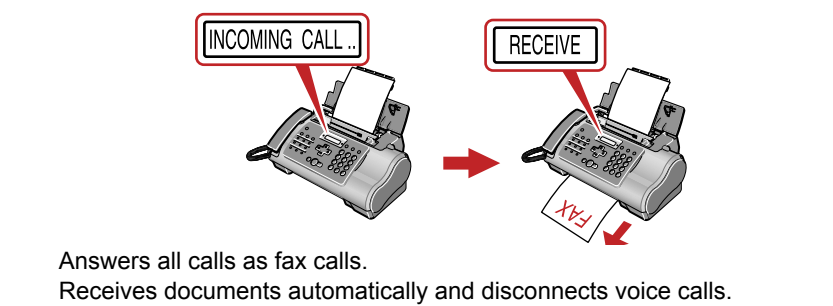
Rings for every call, regardless of whether the call is a fax call or a voice call. For a fax call, you have to manually activate reception of the fax.

#### FAX/TEL Mode [17:45 FaxTel]



Automatically switches between fax and voice calls. Receives documents automatically and rings for voice calls.

#### FAX ONLY Mode [17:45 FaxOnly]



#### TAM Mode (FAX-JX500/FAX-JX300 only) [17:45 09:00]



Record an outgoing message. Press [TAM] to set TAM MODE. The fax receives documents automatically. To hear the recorded messages, press [Play]. Refer to "Playing Telephone Messages" in "Using TAM Mode" of the *User's Guide*. You may change the number of times the phone rings before the answering machine answers a call. Refer to "Setting TOLL SAVER" in "Using TAM Mode" of the *User's Guide*. If the LCD displays "TAM MEMORY FULL" when you turn the answering system on, please delete some of the messages stored in memory. Refer to "Deleting a Document from Memory" in "Receiving Faxes" of the *User's Guide*.

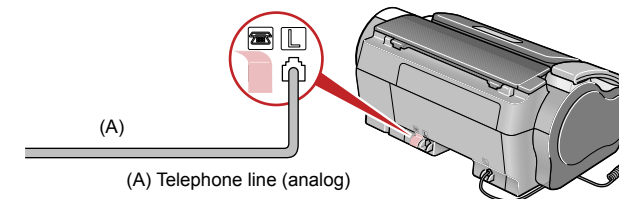
### 5 Examples of Connecting the Machine

Typical examples of connecting the machine are described below. The machine cannot send/receive faxes if the connection is incorrect. Connect the machine correctly.

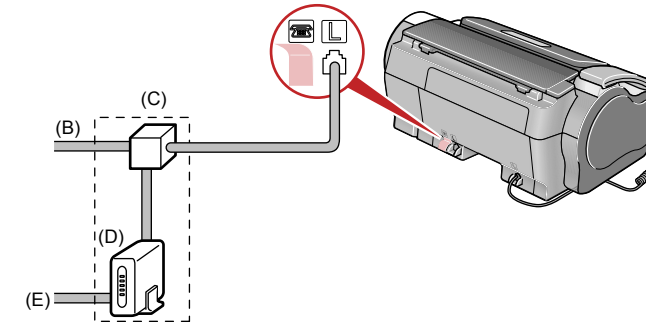
The following are examples of the type of connecting that can be made.

#### Connecting to the Telephone Line

##### Connecting to an Analog Line

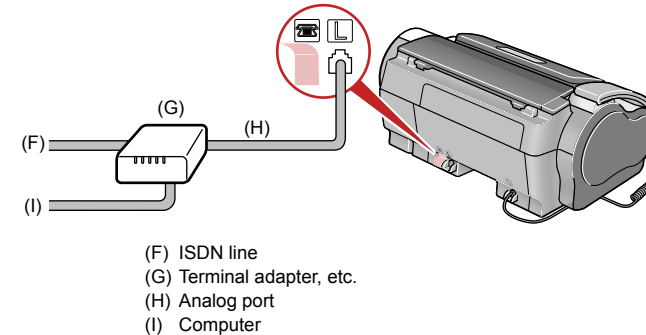


##### Connecting to an ADSL



For details on ADSL connection and settings, see the manual supplied with your ADSL modem. The illustrated connection is an example and is not guaranteed to suit every connecting condition.

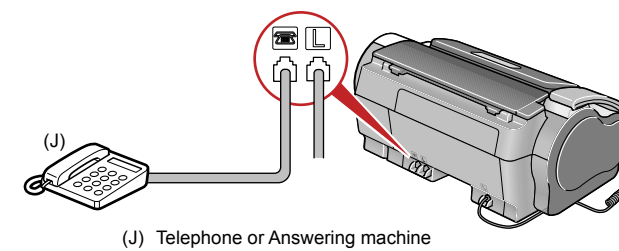
##### Connecting to an ISDN Line



For details on ISDN connection and settings, see the manuals supplied with your terminal adapter or dial-up router.

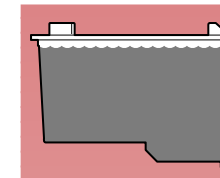
#### Connecting External Devices

##### Connecting a Telephone or Answering Machine Directly



Take off the protective tape on the back of the machine when you connect an external device.

### Replacing the FINE Cartridge

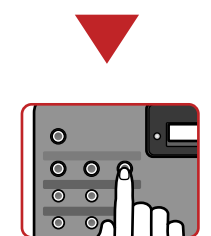


The LED lights up.

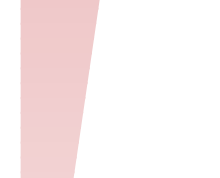


RECOMMEND NEW CRT

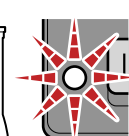
When the ink level is low, the LED lights up. In this state the FAX will receive documents to memory (up to 30 transactions or 120 pages (FAX-JX200/JX201: 60 pages)). To print all unprinted documents in memory select <PRINT ALL NEW RX> from the <MEMORY REFERENCE> menu. After printing, delete unnecessary faxes from the memory. Refer to "Documents Stored in Memory" in "Receiving Faxes" of the *User's Guide*.



Press [MENU].



The LED blinks.



RECOMMEND NEW CRT

When the ink is empty, the LED blinks. When this occurs, you cannot print out any documents in memory. Replace the FINE Cartridge with new one. Refer to "Replacing a FINE Cartridge" in "Routine Maintenance" of the *User's Guide*.

## Free Manuals Download Website

<http://myh66.com>

<http://usermanuals.us>

<http://www.somanuals.com>

<http://www.4manuals.cc>

<http://www.manual-lib.com>

<http://www.404manual.com>

<http://www.luxmanual.com>

<http://aubethermostatmanual.com>

Golf course search by state

<http://golfingnear.com>

Email search by domain

<http://emailbydomain.com>

Auto manuals search

<http://auto.somanuals.com>

TV manuals search

<http://tv.somanuals.com>