



For use with Network Camera VB-M40

Indoor Dome Housing DR40-C-VB/DR40-S-VB Installation Guide

The indoor dome housing DR40-C-VB/DR40-S-VB is an optional product for exclusive use with VB-M40. The dome is embedded into the ceiling for a clean appearance. This Installation Guide describes the installation procedure using indoor dome housing DR40-C-VB/DR40-S-VB. Be sure to read the "Safety Precautions" section for correct use. After reading this Installation Guide, keep it in a readily accessible location for future reference.

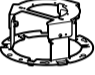





In addition to this Installation Guide, also read the bundled VB-M40 Installation Guide and VB-M40 Operation Guide (included in the Setup CD-ROM).

* For the latest information (firmware and bundled software, instruction manuals, operating environment, etc.) please check our website.

Caution Request a professional installer for all camera installation work. Never try to install by yourself. Doing so may result in unforeseen accidents such as dropping the camera or electric shock.

Check Bundled Items

This product comes with the following items. If any item is missing, contact the dealer where you purchased the product.

- | | | |
|---|---|---|
|  |  |  |
| 1. Ceiling bracket 1 | 2. Backside ceiling bracket 2 | 3. Dome 1 |
|  |  |  |
| 4. Dust cover 1 | 5. Safety wire 1 | 6. Template 1 |
| 7. Fixing screws (M3) 7 | 8. Ceiling bracket screws (M4) 3 | |
| 9. Dome fixing screw (M2) 1 | 10. Installation Guide (this document) 1 | |

CANON INC.

© CANON INC. 2011

Printed in Taiwan

Using the Indoor Dome Housing





When using the indoor dome housing, it is recommended you use with the VB-M40B (black model) to reduce the camera's visibility and reflection.

Important

- The angle of view is slightly wider when using the dome housing.
- Grime on the dome may reduce image quality. Periodic cleaning is recommended. Use a soft cloth moistened with water or diluted neutral detergent to wipe away grime, then wipe dry

Symbols Indicating Safety Precautions

This Installation Guide uses the following marks to indicate the important information the user should know in order to use the product safely. Be sure to observe these items.

 Warning	Inappropriate handling against the instruction accompanied by this sign may result in death or serious injury. Be sure to observe these warnings to ensure safety.
 Caution	Inappropriate handling against the instruction accompanied by this sign may result in injury. Be sure to observe these precautions to ensure safety.
Caution	Inappropriate handling against the instruction accompanied by this sign may result in property damage. Be sure to observe these precautions.
 Important	This symbol indicates important or restricted items. Be sure to read this document.
 Note	Contains reference information for operation or additional explanations.

Safety Precautions

This section explains precautions that must be observed when using the camera. If they are not observed, injury, death and/or property damage may occur. Read the following information carefully and be sure to observe the precautions.

Installation Precautions

Warning

Do not install in the following places:

- Places receiving strong direct sunlight, near heat-generating objects, or places subject to high temperatures
- Places near fire sources or flammable solvents (alcohol, thinner, etc.)
- Humid or dusty places
- Places subject to lamp black or steam
- Places subject to sea air
- Confined or enclosed places

Installing in such places may cause fire or electric shock.

Caution

For installation or inspection of this camera, consult or request the dealer where you purchased the product.

- Wire the power supply, network, and other cables safely and securely according to the relevant regulations such as technical standards for electrical installations.
- When installing on a ceiling, make sure the surface is capable of withstanding the total weight of the camera and indoor dome housing, and is sufficiently reinforced if necessary.
- Periodically check the ceiling brackets and fixing screws for rust and loose material to prevent injuries and equipment damage due to falling items.

- Do not install in unstable places, places subject to significant vibration or impact, or places subject to salt damage or corrosive gas as this may result in malfunction.
- The camera cannot be installed on vertical surfaces such as walls.
- Be sure to attach the safety wire when installing the camera.
- Use exclusively with VB-M40.

Failure to do so may result in the camera falling or other accidents.

- Do not touch the edge of the metal parts with bare hands.
- Do not insert your finger in the space between the brackets and the ceiling.

Injury may result.

Caution

- Do not carry the network camera by the camera head.
- Do not turn the camera rotator by hand.
- Do not install the camera on an unstable or inclined surface.

Malfunction may result.

- Take care not to damage wiring or pipes in the room.

Damage to peripheral items may result.

Cautions on Use

Warning

- If you discover defective conditions such as smoke, strange sounds, heat or strange odors, immediately stop using the camera and contact your nearest dealer.

Continued use may cause fire or electric shock.

- Do not disassemble or modify the camera.
- Do not damage the connecting cord.
- Do not spill water or other liquid inside the camera, spray the camera with water, or otherwise make it wet.
- Do not insert foreign objects into the camera.
- Do not use flammable sprays near the camera.
- Do not leave LAN cables, external power supplies or AC adapter (optional) power connectors connected when the camera is not in use for long periods.
- Do not use flammable solvents such as alcohol, paint thinner or benzenes when cleaning the camera.

Installing in such places may cause fire or electric shock.

Notes on Power Supply

Warning

- Only use the dedicated AC adapter PA-V17 (optional) for AC power.
- Do not set any heavy objects on the power cable.
- Do not pull, forcibly bend, scratch, or modify the power cable.
- Do not cover or wrap the AC adapter (optional) with cloth or blankets.

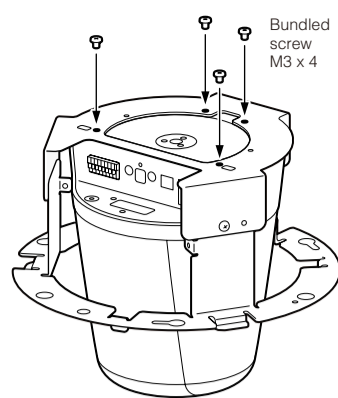
Fire or electric shock may result.

Be sure to read the instruction manual for the PA-V17 (optional) before use.

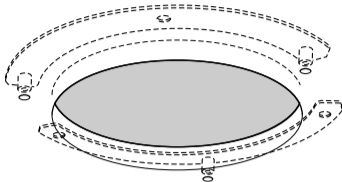
Caution

- Never touch the camera head during initialization. Initialization failure or malfunction may result.
- After turning off the power, wait for at least five seconds before turning the power on again. If the power is turned on again too quickly, the camera may not operate well.

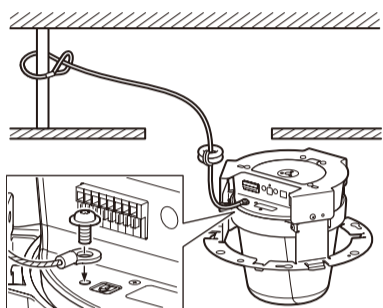
2



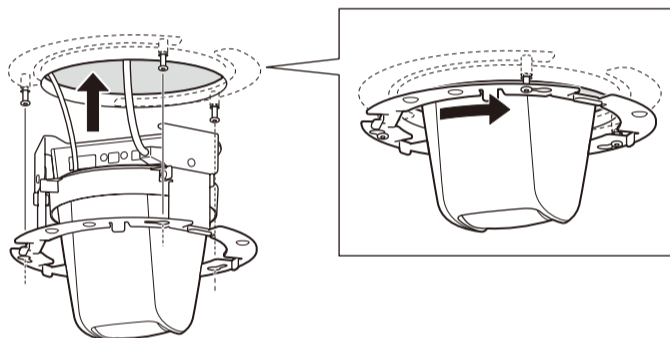
4



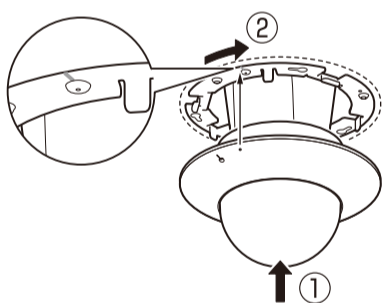
6



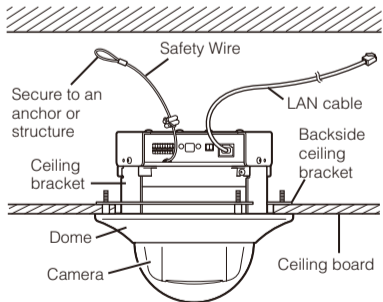
8



9

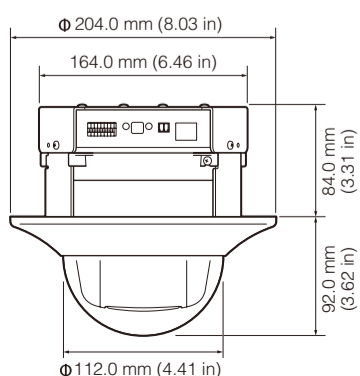


11

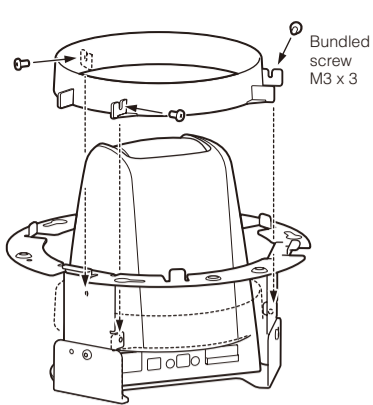


External Dimensions

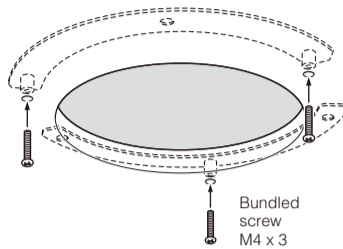
DR40-C-VB/DR40-S-VB



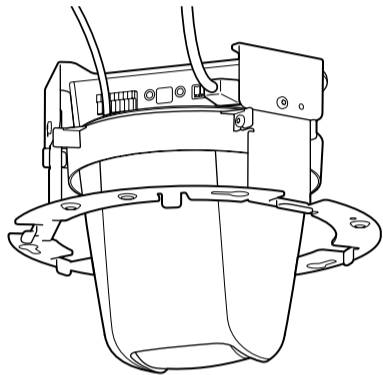
3



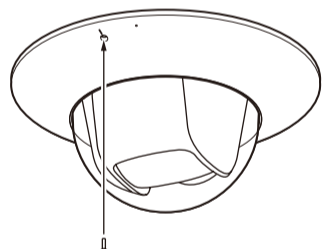
5



7



10



Installing the Camera

The procedures for mounting the camera to the ceiling using the indoor dome housing are described below.

Before installing the camera, set the IP address and other network information on the camera using the "VB Initial Setting Tool".

For details on how to operate the "VB Initial Setting Tool", see VB-M40 Operation Guide.

If using an SD memory card, insert the SD memory card into the camera before installing (see "Using an SD Memory Card" in VB-M40 Installation Guide).

Important

Once the camera is installed to the ceiling, to insert and remove the SD memory card, the camera must be removed from the ceiling and the ceiling bracket dismantled.

1 Determine an installation position for the camera and drill holes in the ceiling

Using the bundled template, line up the direction of the camera, determine the locations of the backside ceiling bracket mounting holes (three) and the ceiling bracket holes, then drill the holes into the ceiling.

Important

When mounting the indoor dome housing, be sure no shavings enter the dome.

2 Mount the camera to the ceiling bracket

Affix with four bundled fixing screw (M3).

3 Mount the dust cover to the ceiling bracket

Affix with three bundled fixing screw (M3).

4 Attach the backside ceiling brackets inside the ceiling

From the inside of the ceiling, insert the protrusions on the backside ceiling brackets through the mounting holes drilled in step 1.

5 Temporarily tighten screws to the backside ceiling bracket

Temporarily tighten the three bundled ceiling bracket screws (M4) through the ceiling.

6 Secure the safety wire

Securely attach the safety wire to an anchor or structure. After securing the end of the safety wire to the ceiling, secure the other end to the camera using the screw that is fastened to the camera.

7 Connect the LAN cable to the camera through the wiring hole

If an AC adapter PA-V17 (optional) or external power supply is used, connect the power connector to the camera. Connect cables to external device I/O terminals and audio input/output terminals as necessary (see "Connecting the Camera" in VB-M40 Installation Guide).

8 Mount the ceiling bracket on the ceiling

Position the ceiling bracket over the screws temporarily tightened in step 5, turn clockwise to temporarily secure in place, and completely fasten the screws.

9 Attach the dome

Align the (O) mark on the dome with the (I) mark on the ceiling bracket, and turn clockwise until the (I) mark on the dome aligns with the (I) mark on the ceiling bracket. This procedure also aligns the ceiling bracket screw hole with the dome fixing screw hole.

10 Affix the dome

To prevent the dome from rotating, attach one dome fixing screw (M2).

11 Reboot the camera when the installation is complete

The camera position is initiated (see "Maintenance" in Chapter 4, "Setting Page" of the VB-M40 Operation Guide).

Note

While the LED is on, light may reflect inside the dome and be captured on video. If this happens, set the LED setting to [Off] (see "LED Setting" in VB-M40 Operation Guide).

Main Specifications

Model	DR40-C-VB/DR40-S-VB
Type	Clear type/smoked type
Network camera-mounting environments	Temperature -10 to 50°C (14 to 122°F), humidity 5 to 85%RH (non-condensing)
Dimensions	(Φ x H) 204 (112: Dome) x 92 mm (8.03 (4.41: Dome) x 3.62 in) *Including ceiling-embedded section: 176 mm (6.93 in) (H)
Weight	Approx. 765 g (1.687 lb) (excluding camera)

Smoked (DR40-S-VB)

This dome is approximately 50% transparent.

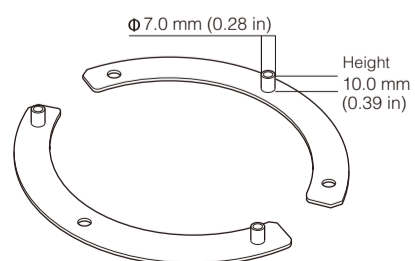
Minimum subject illumination

Day Mode (color) :

0.8 lux (F1.6, Shutter Speed 1/30 sec., when Smart Shade Control is off)
0.2 lux (F1.6, Shutter Speed 1/8 sec., when Smart Shade Control is off)
0.06 lux (F1.6, Shutter Speed 1/8 sec., when Smart Shade Control is on)
0.02 lux (F1.6, Shutter Speed 1/30 sec., when Smart Shade Control is off)
0.004 lux (F1.6, Shutter Speed 1/8 sec., when Smart Shade Control is off)
0.002 lux (F1.6, Shutter Speed 1/8 sec., when Smart Shade Control is on)

Night Mode (monochrome) :

Backside ceiling bracket



Free Manuals Download Website

<http://myh66.com>

<http://usermanuals.us>

<http://www.somanuals.com>

<http://www.4manuals.cc>

<http://www.manual-lib.com>

<http://www.404manual.com>

<http://www.luxmanual.com>

<http://aubethermostatmanual.com>

Golf course search by state

<http://golfingnear.com>

Email search by domain

<http://emailbydomain.com>

Auto manuals search

<http://auto.somanuals.com>

TV manuals search

<http://tv.somanuals.com>