

Canon

MULTIMEDIA PROJECTOR

LV-CL15 Ceiling-mounting Hanger

Installation Manual

ENG

MULTIMEDIA-PROJEKTOR

LV-CL15 Deckenbefestigung

Installationshandbuch

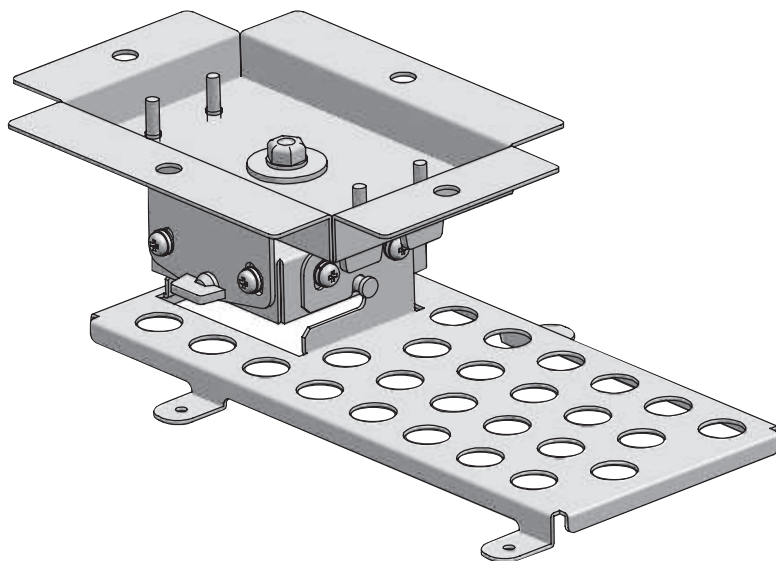
GER

キャノン パワープロジェクター

天吊り金具 LV-CL15

使用説明書

JPN





MULTIMEDIA PROJECTOR

LV-CL15 Ceiling-mounting Hanger

Installation Manual

Thank you for your purchase of the Canon Multimedia Projector Ceiling-mounting Hanger.

Please read this installation manual carefully to ensure proper use.

- This ceiling-mounting hanger is for use with the LV-7385/LV-7380/LV-7285/LV-7280/LV-8310/LV-8215/LV-7375/LV-7370/LV-7275/LV-8300.

(March 2010)

Special skills are required for the installation of the projector.
This work should never be performed by the customer.
Consult your dealer for installing the projector on the ceiling.

To the Dealer and the Installer

For the safety of the customer, we ask that the installation work be started after careful attention is paid to the strength of the mounting location to be sure it will withstand the weight of the projector and ceiling-mounting hanger.

CONTENTS

Heed the Following	ENG-2
Preparation	ENG-4
■ List of Packaged Parts	ENG-4
■ Required Tools	ENG-4
■ Names of the Parts	ENG-5
■ Dimensions.....	ENG-5
Guide to Screen Size and Projector Mounting Position	ENG-6
■ Screen Size and Projection Distance	ENG-6
< LV-7385/LV-7380/LV-7285/LV-7280/LV-7375/LV-7370/LV-7275 >.....	ENG-6
< LV-8310/LV-8215 >	ENG-7
< LV-8300 >	ENG-8
■ Screen Size Conversion Table	ENG-9
< LV-7385/LV-7380/LV-7285/LV-7280/LV-7375/LV-7370/LV-7275 >.....	ENG-9
< LV-8310/LV-8215/LV-8300 >.....	ENG-9
Mounting the Projector	ENG-10
Adjustment of the Projection Angle.....	ENG-14
■ Distortion Adjustment.....	ENG-14
■ Fine Adjustment	ENG-16
Specifications	ENG-16

Heed the Following



This symbol alerts the user that important information concerning the operation and maintenance of this ceiling-mounting hanger has been provided. The information should be read carefully to avoid problems.

WARNING

- When installing the projector, be sure to do so as explained in this manual. The projector may fall and cause injury if it is installed improperly.
 - To prevent the projector from falling, install it in a place and fasten it in a way with sufficient strength to support the combined weight (4.6 kg) of the projector (3.3 kg) and the ceiling-mounting hanger (1.3 kg) for an extended period of time as well as to withstand earthquakes. Insufficient strength or fastening may result in the projector falling and causing injury.
 - To ensure safety, be sure to tighten the bolts and screws securely. Also be sure to use the included units and other metal fittings. Failure to do so may result in the projector falling and causing injury.
 - When sliding the opening of the mounting adapter over the pin of the ceiling-mounting hanger, check that the pin of the ceiling-mounting hanger is fully seated in the opening. If not, the projector may fall and cause injury.
 - Be sure to use the supplied wires to install the projector. Failure to do so may result in the projector falling and causing injury.
- Do not modify any parts. Doing so may result in the projector falling and causing injury.
 - Do not use broken parts. Doing so may result in the projector falling and causing injury. If a part should be broken, consult your dealer.
 - Do not look into the lens when the projector is turned on. Doing so could damage your eyesight.
 - Make adjustments as described in this manual. Incorrect adjustments may result in the projector falling and causing injury.

CAUTION

- Do not obstruct the projector's ventilation holes. Doing so will prevent the dissipation of heat and may result in fires. In particular, do not use the projector in the following ways:
Do not install the projector in a wall or in a tight place where ventilation is poor, place a cover it, etc.
- Do not install the projector in front of the outlets of an air conditioner or heater or in a place where vibrations are strong.
Doing so may result in fires.
- Do not install the projector in humid or dusty places or exposed to smoke or steam (such as near cooking equipment or humidifiers). Doing so may result in fires.
- When installing the projector, leave sufficient space between it and surrounding objects. Failure to leave sufficient space will prevent the dissipation of heat and may result in fires.
- When cabling, do not obstruct the projector's ventilation holes with cables. Doing so will prevent the dissipation of heat and may result in failure of the projector.
- When removing the screws on left and right on the mounting adapter, be sure to support the projector while doing so. Failing to do so may result in the projector swinging back abruptly and causing injury.
- for PLUGGABLE EQUIPMENT, the socket-outlet shall be installed near the equipment and shall be easily accessible.

Installation Precautions

- Special techniques are required for the installation work of the projector and installation work should only be undertaken by qualified and licensed installers.
- Canon will not accept any responsibility related to any accidents or incidents due to insufficient or inferior mounting techniques.

Installation Location

Avoid places of high temperature or low temperature.

Ambient operating temperature : 5°C to 40°C. (Quiet mode selected automatically at 35°C to 40°C)

Avoid places exposed to direct sunlight and the vicinity of ventilation holes of room air conditioning and heating.

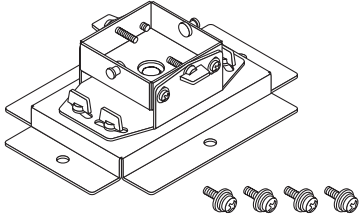
Avoid rooms with a lot of dust, humidity, greasy smoke, or tobacco smoke.
Dirt will adhere to optical parts such as lenses and mirrors and this will cause a deterioration of image quality.

Avoid places in which the screen is exposed to direct sunlight or illumination light.
When surrounding light directly hits the screen, the image appears washed out and is difficult to view.

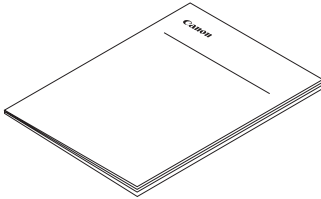
Preparation

■ List of Packaged Parts

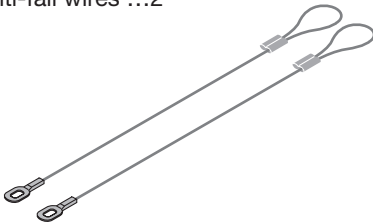
- Fixed ceiling part ...1
- Up-down angle adjustment screws (M5) ...4
- Projector mounting adapter ...1
- Projector mounting screws (M4) ...3



- Installation manual (this document) ...1

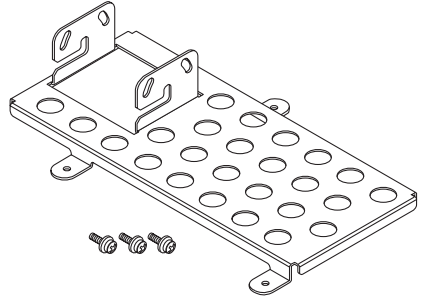


- Anti-fall wires ...2

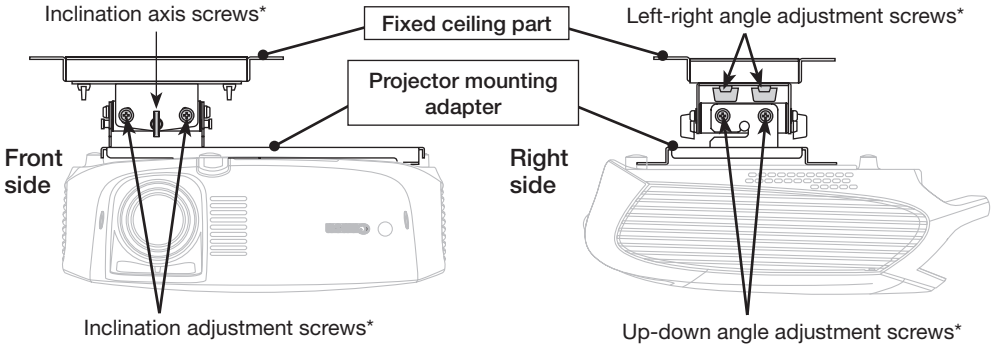


■ Required Tools

- Phillips screwdriver



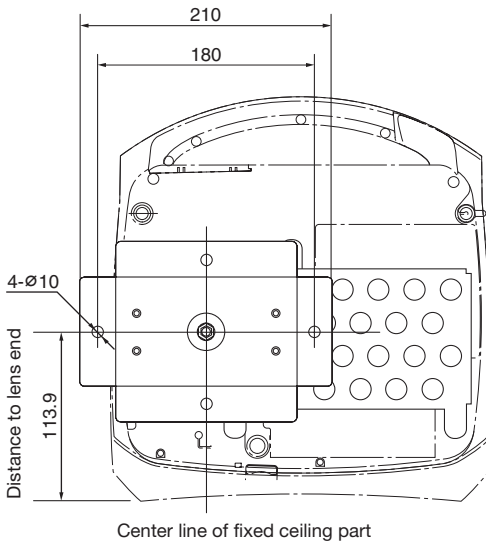
Names of the Parts



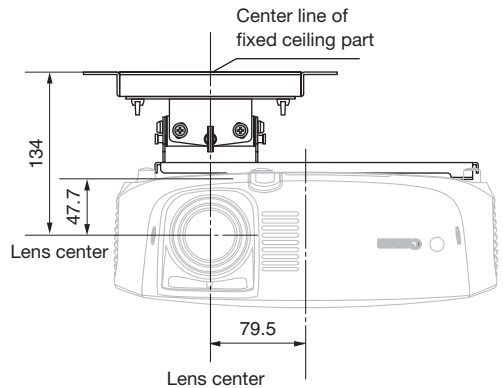
* There are also screws on the opposite side.

Dimensions (Unit: mm)

Fixed Ceiling Part Bolt Hole Position Dimensions



Fixed Ceiling Part and Lens Center Dimensions Diagram



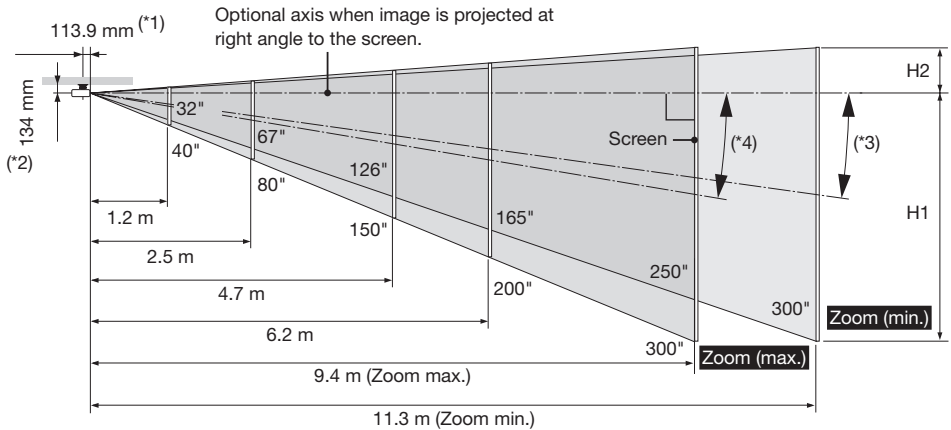
Guide to Screen Size and Projector Mounting Position

■ Screen Size and Projection Distance

< LV-7385/LV-7380/LV-7285/LV-7280/LV-7375/LV-7370/LV-7275 >

Use this guide when considering the distance to the screen and the screen size.

- The ceiling mount unit can be adjusted up and down a maximum of $\pm 10^\circ$, but if too much of an angle is taken the image will show some distortion. Therefore, it is recommended that an adjustment is made in conjunction with the screen projection angle.
- Recommended screen sizes for projectors are from 21 inches to 300 inches. (Screen sizes represent the diagonal dimension.)



(*1) Distance from center of fixed ceiling part to end of main unit lens.

(*2) Distance of lens center from ceiling mount surface of fixed ceiling part.

(*3) The angle is 7.8 to 7.9° using a telephoto setting for distances from lens center (horizontal) to screen center.

(*4) The angle is 9.3 to 9.5° using a wide angle setting for distances from lens center (horizontal) to screen center.

Throw Distance and Screen Size

Screen size (W×H) cm	21"	25"	30"	40"	60"	80"	100"	150"	180"	200"	250"	300"
Projection distance Zoom (max)	–	0.8 m (2.6')	0.9 m (3.0')	1.2 m (3.9')	1.9 m (6.2')	2.5 m (8.2')	3.1 m (10.2')	4.7 m (15.4')	5.6 m (18.4')	6.2 m (20.3')	7.8 m (25.6')	9.4 m (30.8')
Projection distance Zoom (min)	0.8 m (2.6')	0.9 m (3.0')	1.1 m (3.6')	1.5 m (4.9')	2.2 m (7.2')	3.0 m (9.8')	3.7 m (12.1')	5.6 m (18.4')	6.8 m (22.3')	7.5 m (24.6')	9.4 m (30.8')	11.3 m (37.1')
H1	27 cm (0.9')	32 cm (1.1')	39 cm (1.3')	51 cm (1.7')	77 cm (2.5')	103 cm (3.4')	129 cm (4.2')	193 cm (6.3')	231 cm (7.6')	257 cm (8.4')	321 cm (10.5')	386 cm (12.7')
H2	5 cm (0.2')	6 cm (0.2')	7 cm (0.2')	10 cm (0.3')	14 cm (0.5')	19 cm (0.6')	24 cm (0.8')	36 cm (1.2')	43 cm (1.4')	48 cm (1.6')	60 cm (2.0')	71 cm (2.3')

H1 and H2: H1 is the height of the screen from the intersection of optical axis and screen surface, and H2 is the height of the intersection when an image is projected at right angle to the screen.

Using the Diagrams

Referring to the diagram, screen sizes that can be used at a projection distance of 3 m will range from 80 inches to 95 inches.

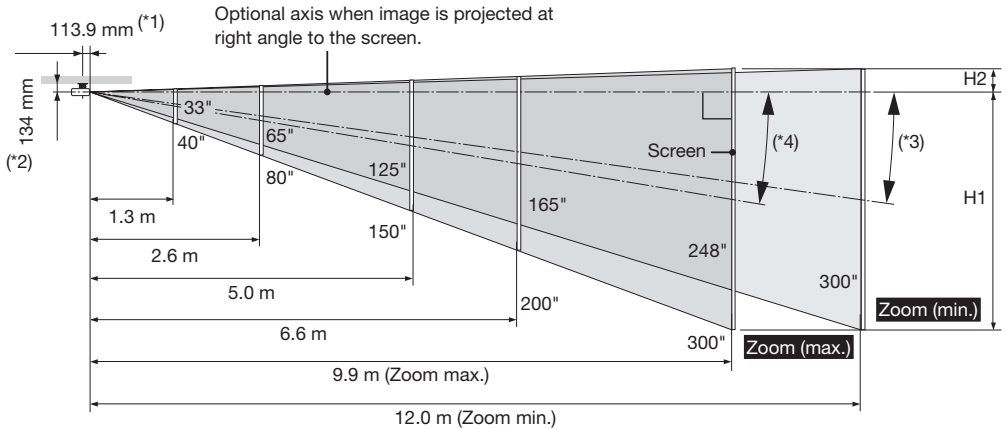
To project to a screen size of 180 inches, the projection distance will range from 5.6 to 6.8 m according to the diagram.

See Page ENG-9 for the vertical and horizontal dimensions of the screen size.

< LV-8310/LV-8215 >

Use this guide when considering the distance to the screen and the screen size.

- The ceiling mount unit can be adjusted up and down a maximum of $\pm 10^\circ$, but if too much of an angle is taken the image will show some distortion. Therefore, it is recommended that an adjustment is made in conjunction with the screen projection angle.
- Recommended screen sizes for projectors are from 21 inches to 300 inches. (Screen sizes represent the diagonal dimension.)



(*1) Distance from center of fixed ceiling part to end of main unit lens.

(*2) Distance of lens center from ceiling mount surface of fixed ceiling part.

(*3) The angle is 7.9 to 8.3° using a telephoto setting for distances from lens center (horizontal) to screen center.

(*4) The angle is 9.5 to 9.9° using a wide angle setting for distances from lens center (horizontal) to screen center.

Throw Distance and Screen Size

Screen size (W×H) cm	21"	25"	30"	40"	60"	80"	100"	150"	180"	200"	250"	300"
Projection distance Zoom (max)	—	0.8 m (2.6')	1.0 m (3.2')	1.3 m (4.2')	2.0 m (6.4')	2.6 m (8.6')	3.3 m (10.8')	5.0 m (16.3')	6.0 m (19.5')	6.6 m (21.7')	8.3 m (27.2')	9.9 m (32.6')
Projection distance Zoom (min)	0.8 m (2.6')	1.0 m (3.2')	1.2 m (3.8')	1.6 m (5.1')	2.4 m (7.7')	3.2 m (10.4')	4.0 m (13.0')	6.0 m (19.5')	7.2 m (23.5')	8.0 m (26.1')	10.0 m (32.7')	12.0 m (39.2')
H1	26 cm (0.8')	31 cm (1.0')	37 cm (1.2')	49 cm (1.6')	74 cm (2.4')	98 cm (3.2')	123 cm (4.0')	184 cm (6.0')	221 cm (7.3')	246 cm (8.1')	307 cm (10.1')	369 cm (12.1')
H2	2 cm (0.1')	3 cm (0.1')	4 cm (0.1')	5 cm (0.2')	7 cm (0.2')	9 cm (0.3')	12 cm (0.4')	18 cm (0.6')	21 cm (0.7')	24 cm (0.8')	29 cm (1.0')	35 cm (1.2')

H1 and H2: H1 is the height of the screen from the intersection of optical axis and screen surface, and H2 is the height of the intersection when an image is projected at right angle to the screen.

Using the Diagrams

Referring to the diagram, screen sizes that can be used at a projection distance of 3 m will range from 80 inches to 90 inches.

To project to a screen size of 180 inches, the projection distance will range from 6.0 to 7.2 m according to the diagram.

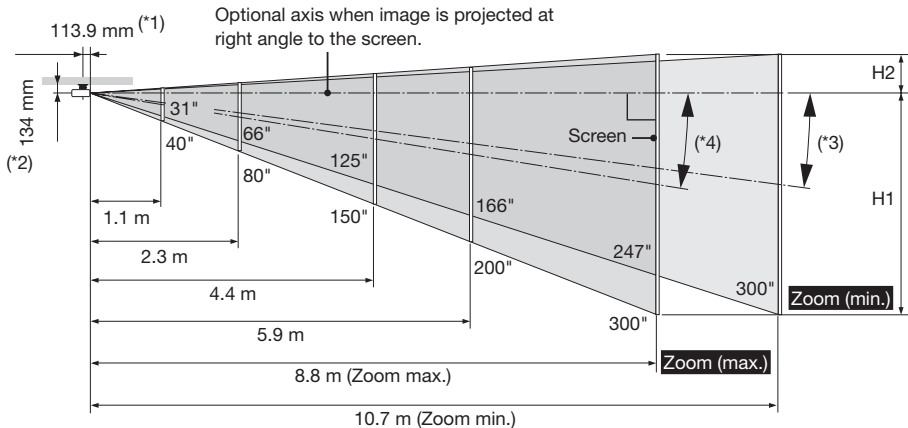
See Page ENG-9 for the vertical and horizontal dimensions of the screen size.

Guide to Screen Size and Projector Mounting Position

< LV-8300 >

Use this guide when considering the distance to the screen and the screen size.

- The ceiling mount unit can be adjusted up and down a maximum of $\pm 10^\circ$, but if too much of an angle is taken the image will show some distortion. Therefore, it is recommended that an adjustment is made in conjunction with the screen projection angle.
- Recommended screen sizes for projectors are from 21 inches to 300 inches. (Screen sizes represent the diagonal dimension.)



(*1) Distance from center of fixed ceiling part to end of main unit lens.

(*2) Distance of lens center from ceiling mount surface of fixed ceiling part.

(*3) The angle is 7.5 to 8.0° using a telephoto setting for distances from lens center (horizontal) to screen center.

(*4) The angle is 9.1 to 9.6° using a wide angle setting for distances from lens center (horizontal) to screen center.

Throw Distance and Screen Size

Screen size (W×H) cm	21"	25"	30"	40"	60"	80"	100"	150"	180"	200"	250"	300"
Projection distance Zoom (max)	–	0.7 m (2.3')	0.9 m (3.0')	1.1 m (3.6')	1.7 m (5.6')	2.3 m (7.5')	2.9 m (9.5')	4.4 m (14.4')	5.3 m (17.4')	5.9 m (19.4')	7.4 m (24.3')	8.8 m (28.9')
Projection distance Zoom (min)	0.7 m (2.3')	0.9 m (3.0')	1.0 m (3.3')	1.4 m (4.6')	2.1 m (6.9')	2.8 m (9.2')	3.5 m (11.5')	5.3 m (17.4')	6.4 m (21.0')	7.1 m (23.3')	8.9 m (29.2')	10.7 m (35.1')
H1	24 cm (0.8')	29 cm (0.9')	34 cm (1.1')	46 cm (1.5')	69 cm (2.3')	92 cm (3.0')	114 cm (3.8')	172 cm (5.6')	206 cm (6.8')	229 cm (7.5')	286 cm (9.4')	343 cm (11.3')
H2	4 cm (0.1')	5 cm (0.2')	6 cm (0.2')	8 cm (0.3')	12 cm (0.4')	16 cm (0.5')	20 cm (0.7')	30 cm (1.0')	36 cm (1.2')	40 cm (1.3')	50 cm (1.7')	61 cm (2.0')

H1 and H2: H1 is the height of the screen from the intersection of optical axis and screen surface, and H2 is the height of the intersection when an image is projected at right angle to the screen.

Using the Diagrams

Referring to the diagram, screen sizes that can be used at a projection distance of 3 m will range from 90 inches to 100 inches.

To project to a screen size of 180 inches, the projection distance will range from 5.3 to 6.4 m according to the diagram.

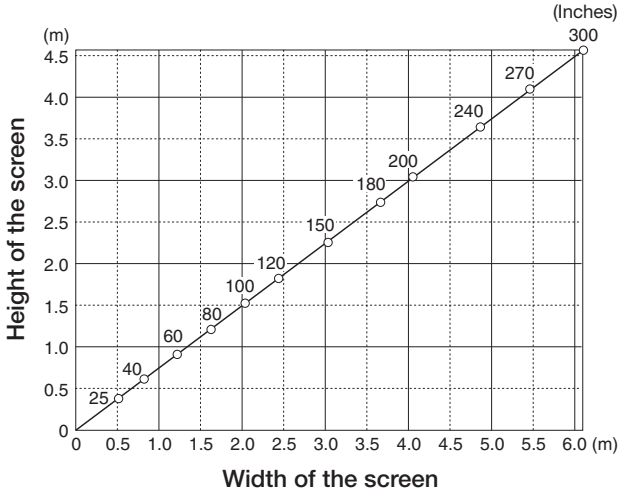
See Page ENG-9 for the vertical and horizontal dimensions of the screen size.

■ Screen Size Conversion Table

< LV-7385/LV-7380/LV-7285/LV-7280/LV-7375/LV-7370/LV-7275 >

Using the Table

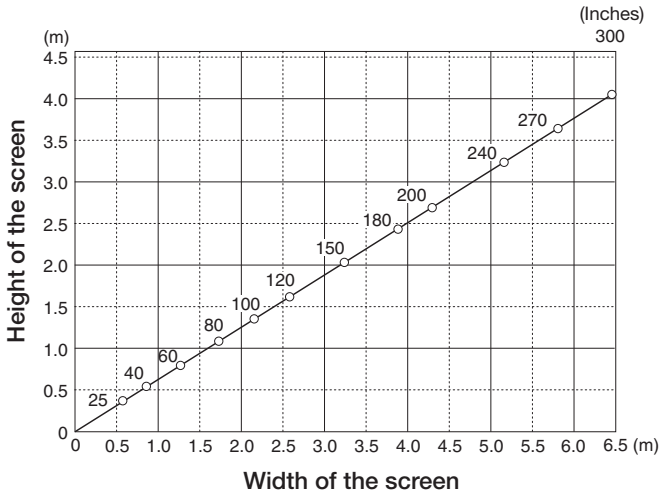
The dimensions of a 100 inch screen size according to the table will be approximately 2 m horizontally and approximately 1.5 m vertically.



< LV-8310/LV-8215/LV-8300 >

Using the Table

The dimensions of a 100 inch screen size according to the table will be approximately 2.15 m horizontally and approximately 1.34 m vertically.



Mounting the Projector

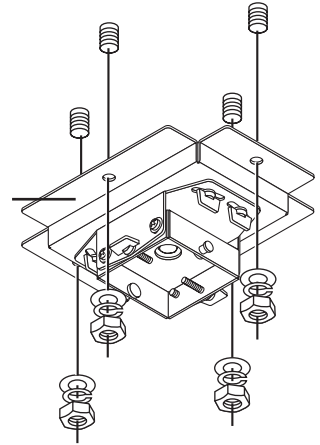
1 Attach the Fixed Ceiling Part to the Ceiling

First, partially tighten the four screws, then tighten the screws firmly after positioning.

WARNING!

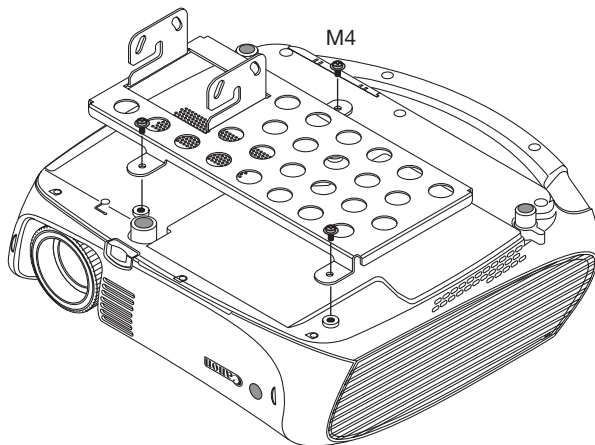
Use M8 bolts for the fixed ceiling part.
Use of types other than M8 could cause the projector to fall.

Fixed ceiling part



2 Attach the Projector Mounting Adapter to the Projector

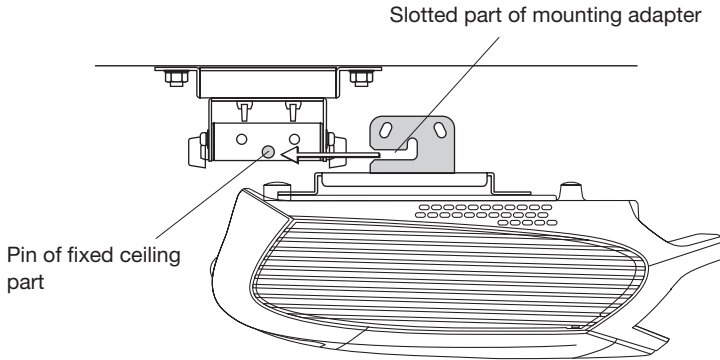
Use three M4 screws to mount the projector mounting adapter.



3 Suspend the Projector from the Fixed Ceiling Part

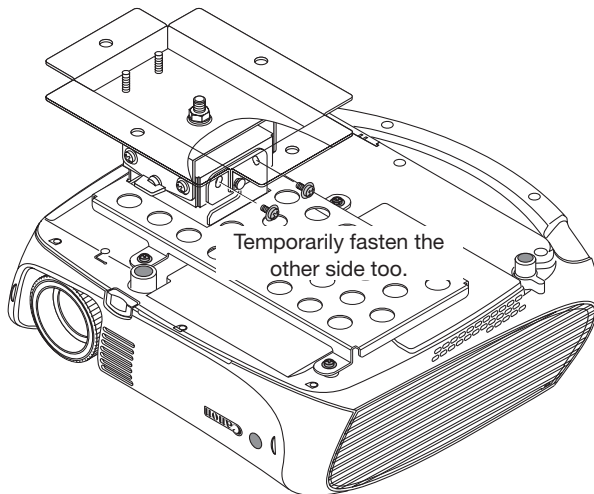
Slide the slotted part of the projector mounting adapter over the pin of the fixed ceiling part and push all the way to the back.

The projector is temporarily suspended in this condition and attention must be paid so that the unit does not fall since it is not fixed in place.



4 Temporarily Fasten the Projector Mounting Adapter

Temporarily fasten by partially tightening the four supplied (M5) screws. Tighten firmly after completing the screen projection angle adjustment.



5 Attach the wires to the projector and the ceiling suspension unit.

Be sure to install the two wires as described below to prevent the projector from falling.

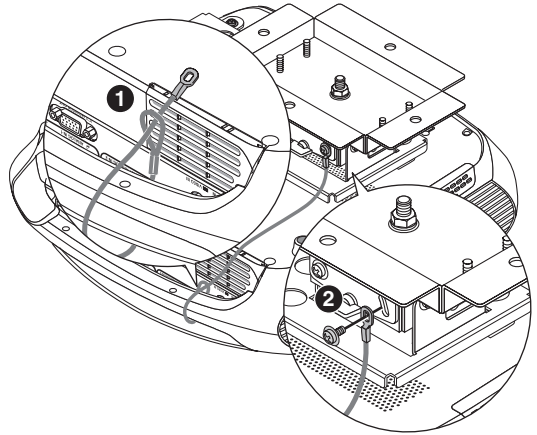
• Installing anti-fall wire (The first wire)

[Projector side]

- 1 Pass the ring of the larger wire through the carrying handle of the projector.

[Fixed ceiling part]

- 2 Put the screw (M5) of the projector mounting adapter through the ring in wire to mount.



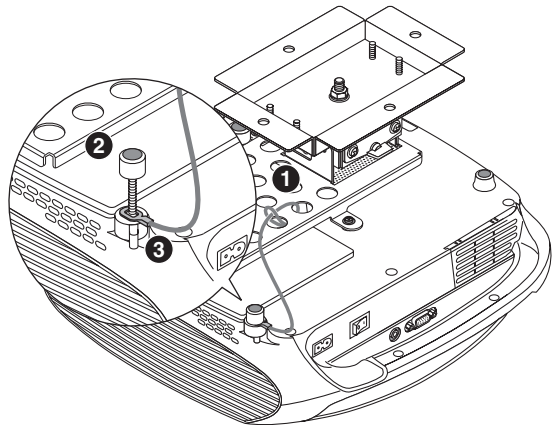
• Installing anti-fall wire (The second wire)

[Fixed ceiling part]

- 1 Pass the ring of the larger wire through the hole of the ceiling suspension unit.

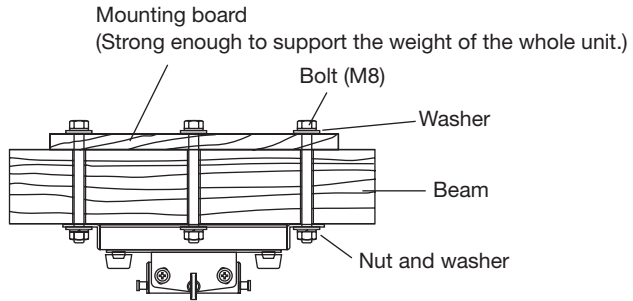
[Projector side]

- 2 Turn the rear adjustment foot nearest the main power switch and remove it from the projector.
- 3 Pass the rear adjustment foot's screw through the ring in wire, then install the rear adjustment foot back on the projector.

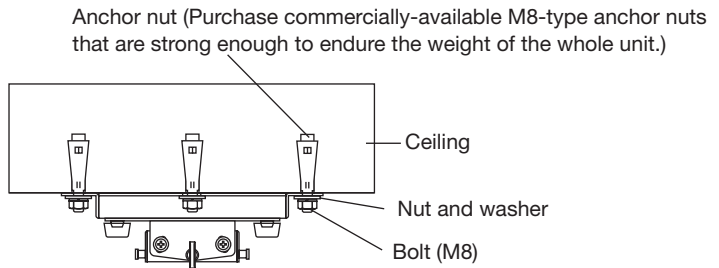


HINT: Installation Examples

- **When the Ceiling is Wood Construction:**



- **When the Ceiling is Concrete Construction:**



NOTE : Mounting boards, M8-type anchor nuts, bolts, nuts and washers are commercially available.

Adjustment of the Projection Angle

Before the Adjustment

- Refer to the user's manual of the projector, switch on the power and project an image.
- Refer to the section "Image flip H/V" of Setup and select the projection orientation.
- Select "Ceiling mounted" when projection is from the front side, and "Rear, Ceiling mounted" when projection is from the rear side.
- Provisionally determine the projection size with the manual zoom, then perform the angle adjustment.

Adjustment of the projection angle should generally follow the steps described below.

1. Distortion Adjustment

Adjust each of the left-right, up-down, and inclination angles so that the projected image becomes rectangular.

It is acceptable if the image extends beyond the screen at this time.

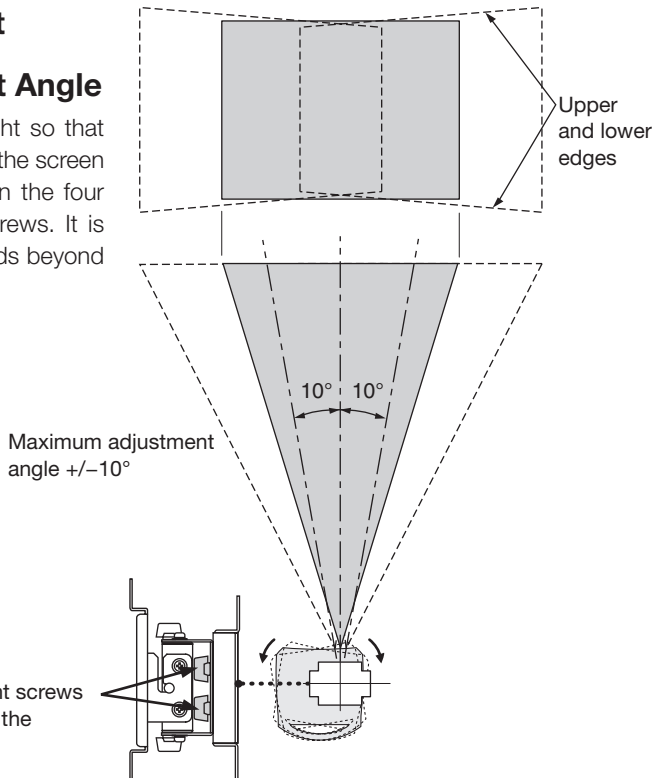
2. Fine Adjustment

Adjust the lens shift function of. Finely adjust each of the left-right, up-down, and inclination angles of the fittings so that the projected image coincides with the screen.

Distortion Adjustment

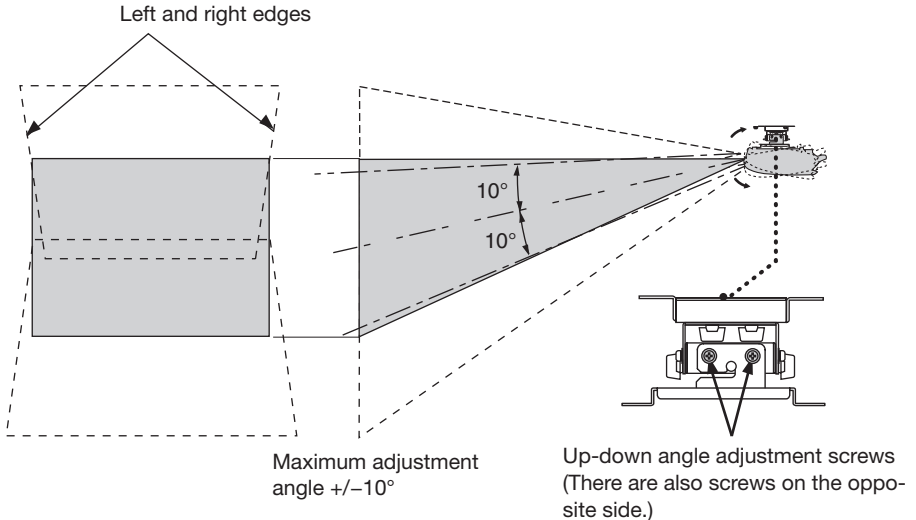
1 Adjust the Left-Right Angle

Turn the projector left and right so that the upper and lower edges of the screen are parallel, then firmly tighten the four left-right angle adjustment screws. It is acceptable if the image extends beyond the screen.



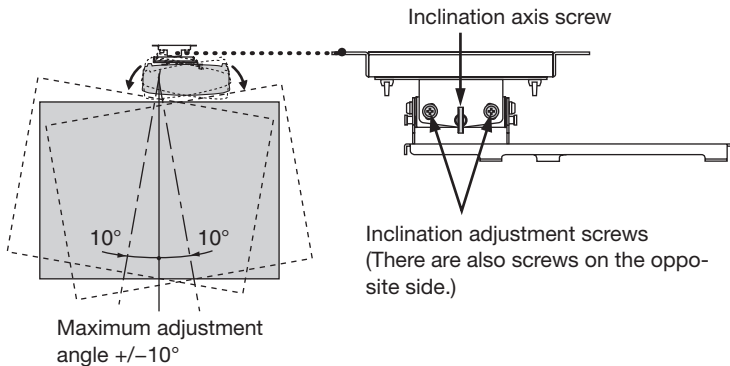
2 Adjust the Up-Down Angle

Turn the projector up and down so that the left and right edges of the screen are parallel, then firmly tighten the four up-down angle adjustment screws. It is acceptable if the image extends beyond the screen.



3 Adjust the Inclination

Adjust so that the image is projected to the screen without being slanted, then firmly tighten the four inclination adjustment screws. Lastly, tighten the two inclination axis screws if they are loose.



If the adjustment does not work out, readjust from Step 1.

Adjustment of the Projection Angle

■ Fine Adjustment

Loosen the same screws that were used in the distortion adjustment and finely adjust the angle so that the projected image fits the screen, then tighten all the screws (i.e., a total of 14 including the inclination axis screws).

After the adjustments, check that the ceiling-mounting hanger and the projector are fixed securely.

Specifications

Product Name:	Ceiling-mounting hanger
Model:	LV-CL15
Adjustment angle:	Up-down angle $\pm 10^\circ$ Left-right angle $\pm 10^\circ$ Inclination angle $\pm 10^\circ$
Dimensions:	327 (W) \times 166 (D) \times 88 (H) mm (when assembled, not including protruding parts)
Weight:	Approximately 1.3 kg
Supplied Items:	Fixed ceiling part..... 1 Projector mounting adapter 1 Projector mounting screws (M4) 3 Up-down angle adjustment screws (M5)..... 4 Anti-fall wires 2 Installation manual 1

Specifications and appearance are subject to change without notice.

LV-CL15 Deckenbefestigung

Installationshandbuch

Vielen Dank für den Erwerb der Canon Multimedia Projektor Deckenbefestigung. Bitte lesen Sie das Installationshandbuch sorgfältig um eine sachgerechte Nutzung zu gewährleisten.

- Diese Deckenbefestigung ist für die Modelle LV-7385/LV-7380/LV-7285/LV-7280/LV-8310/LV-8215/LV-7375/LV-7370/LV-7275/LV-8300 geeignet.

(März 2010)

Für die Montage des Projektors sind Fachkenntnisse erforderlich.
Diese Arbeit sollte auf keinen Fall vom Kunden ausgeführt werden.
Für die Installation des Projektors an die Decke, wenden Sie sich an Ihren Verkäufer.

An den Verkäufer und den Monteur

Um die Sicherheit des Kunden zu gewährleisten, sollte sichergestellt sein, dass die Anbringung erst beginnt, wenn der Ort der Befestigung daraufhin überprüft ist, ob er dem Gewicht des Projektors und der Deckenbefestigung standhält.

INHALT

Beachten Sie Folgendes	GER-2
Vorbereitung	GER-4
■ Auflistung der mitgelieferten Teile	GER-4
■ Erforderliche Werkzeuge	GER-4
■ Bezeichnung der Teile	GER-5
■ Abmessungen	GER-5
Anleitung zur Bildschirmgröße und Aufstellungsposition des Projektors	GER-6
■ Bildschirmgröße und Projektionsabstand	GER-6
< LV-7385/LV-7380/LV-7285/LV-7280/LV-7375/LV-7370/LV-7275 >	GER-6
< LV-8310/LV-8215 >	GER-7
< LV-8300 >	GER-8
■ Bildschirmgröße Umrechnungstabelle	GER-9
< LV-7385/LV-7380/LV-7285/LV-7280/LV-7375/LV-7370/LV-7275 >	GER-9
< LV-8310/LV-8215/LV-8300 >	GER-9
Aufstellen des Projektors	GER-10
Einstellung des Projektionswinkels	GER-14
■ Verzerrungseinstellung	GER-14
■ Feinjustierung	GER-16
Technische Daten	GER-16

Beachten Sie Folgendes



Dieses Symbol warnt den Benutzer, dass wichtige Informationen zu Betrieb und Instandhaltung dieser Deckenbefestigung behandelt werden. Diese Informationen sollten sorgfältig gelesen werden, um Probleme zu vermeiden.

ACHTUNG

- Stellen Sie sicher, dass die Installation des Projektors so ausgeführt wird, wie in diesem Handbuch beschrieben. Der Projektor könnte fallen und Verletzungen verursachen, wenn er unsachgemäß aufgestellt ist.
- Um den Absturz des Projektors zu verhindern, befestigen Sie ihn an einem geeigneten Ort und so sicher, dass das kombinierte Gewicht (4,6 kg) von Projektor (3,3 kg) und Deckenbefestigung (1,3 kg) über einen langen Zeitraum erdbebensicher gehalten wird. Unzureichende Festigkeit oder Befestigung kann zum Absturz des Projektors führen und Verletzungen verursachen.
- Um Sicherheit zu gewährleisten, stellen Sie sicher, die Bolzen und Schrauben fest anzuziehen. Stellen Sie ebenfalls sicher, die dazugehörigen Geräte und andere Beschläge zur Befestigung zu nutzen. Versäumnisse dieses zu tun, kann zum Absturz des Projektors führen und Verletzungen verursachen.
- Wird die Öffnung der Projektorhalterung über den Stift der Deckenbefestigung geschoben, überprüfen Sie, ob der Stift ganz in der Öffnung sitzt. Anderenfalls kann der Projektor abstürzen und Verletzungen verursachen.
- Stellen Sie sicher, dass Sie die mitgelieferten Kabel zur Installierung des Projektors benutzen. Ein Versäumnis dies zu tun, könnte dazu führen, dass der Projektor herunterfällt und Verletzungen verursacht.
- Verändern Sie keine Teile. Dieses kann zum Absturz des Projektors führen und Verletzungen verursachen.
- Verwenden Sie keine beschädigten Teile. Dieses kann zum Absturz des Projektors führen und Verletzungen verursachen. Wenn ein Teil beschädigt sein sollte, kontaktieren Sie Ihren Verkäufer.
- Schauen Sie nicht in die Linse, während der Projektor eingeschaltet ist. Dieses kann Ihr Augenlicht schädigen.
- Nehmen Sie die Einstellungen vor, wie sie in diesem Handbuch beschrieben sind. Fehlerhafte Einstellungen können zum Absturz des Projektors führen und Verletzungen verursachen.

VORSICHT

- Versperren Sie nicht die Lüftungslöcher des Projektors. Dieses verhindert die Wärmeableitung und kann Feuer verursachen. Insbesondere nutzen Sie den Projektor nicht auf folgende Art:
Stellen Sie den Projektor nicht in eine Wand oder an einen engen Platz mit wenig Luftzirkulation, bedecken Sie ihn nicht, etc.
- Stellen Sie den Projektor nicht vor die Austrittsöffnungen einer Klimaanlage, einer Heizung oder an einen Platz mit starken Schwingungen.
Dieses kann Feuer verursachen.
- Stellen Sie den Projektor nicht an feuchten oder staubigen Plätzen auf und setzen Sie ihn keinem Rauch oder Dampf aus (wie z. B. in der Nähe von Kocheinrichtungen oder Raumbefeuchtern). Dieses kann Feuer verursachen.
- Wenn Sie den Projektor aufstellen, lassen Sie ausreichend Platz zwischen ihm und den umgebenden Objekten. Das Unterlassen für ausreichend Abstand zu sorgen, verhindert die Wärmeableitung und kann Feuer verursachen.
- Bei der Verkabelung ist darauf zu achten die Belüftungslöcher nicht mit Kabeln zu blockieren. Anderenfalls wird die Hitzeableitung verhindert, was den Projektor beschädigen kann.
- Wenn Sie die Schrauben links und rechts des Befestigungsteiles entfernen, stellen Sie sicher, den Projektor während dessen abzustützen. Fehlerhafte Ausführung dessen kann zu einem abrupten Rückschlag des Projektors führen und Verletzungen verursachen.
- Für ANSTECKBARES ZUBEHÖR sollte der Einstecksockel in der Nähe der Geräte aufgestellt und leicht zugänglich sein.

Vorsichtsmaßnahmen bei der Installation

- Spezielle Fertigkeiten sind für die Installationsarbeiten des Projektors notwendig, und diese Installationsarbeiten sollten nur von qualifizierten und zugelassenen Monteuren durchgeführt werden.
- Canon übernimmt keine Verantwortung für Unfälle oder Störungen im Zusammenhang mit unsachgemäßer oder mangelhafter Aufbautechniken.

Installationsort

Vermeiden Sie Plätze mit hohen oder niedrigen Temperaturen.

Betriebsumgebungstemperatur: 5°C bis 40°C. (Bei 35°C bis 40°C wird automatisch der Ruhemodus aktiviert)

Vermeiden Sie Plätze mit direkter Sonneneinstrahlung und die Nachbarschaft zu den Lüftungslöchern von Klimaanlage und Heizungen.

Vermeiden Sie Räume mit viel Staub, Feuchtigkeit, schmierigem Rauch oder Tabakrauch.

Schmutz würde an den optischen Teilen anhaften, wie den Linsen und Spiegeln, und dieses würde eine Verminderung der Bildqualität bewirken.

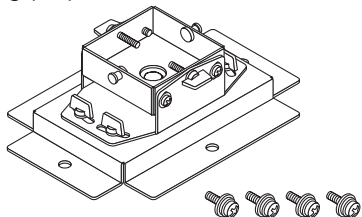
Vermeiden Sie Plätze an denen die Projektionswand direktem Sonnenlicht oder Beleuchtungsquellen ausgesetzt ist.

Wenn umgebendes Licht direkt auf die Projektionswand fällt, erscheint das Bild ausgeblenden und ist schwer zu sehen.

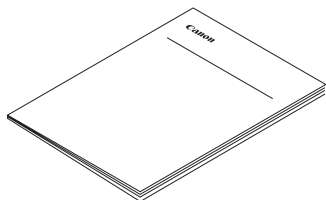
Vorbereitung

■ Auflistung der mitgelieferten Teile

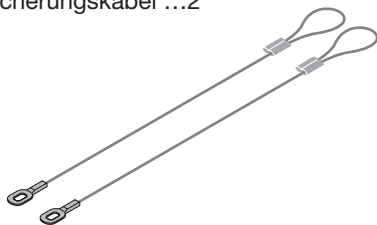
- Deckenbefestigung ...1
- Schrauben zur vertikalen Winkelanpassung (M5) ...4
- Projektorhalterung ...1
- Schrauben zur Projektorbefestigung (M4) ...3



- Installationshandbuch (Dieses Dokument) ...1

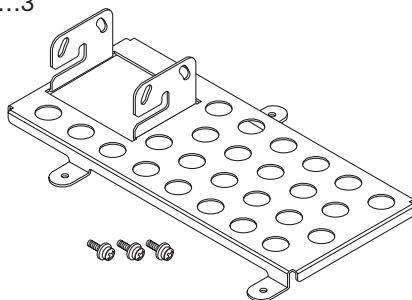


- Sicherungskabel ...2

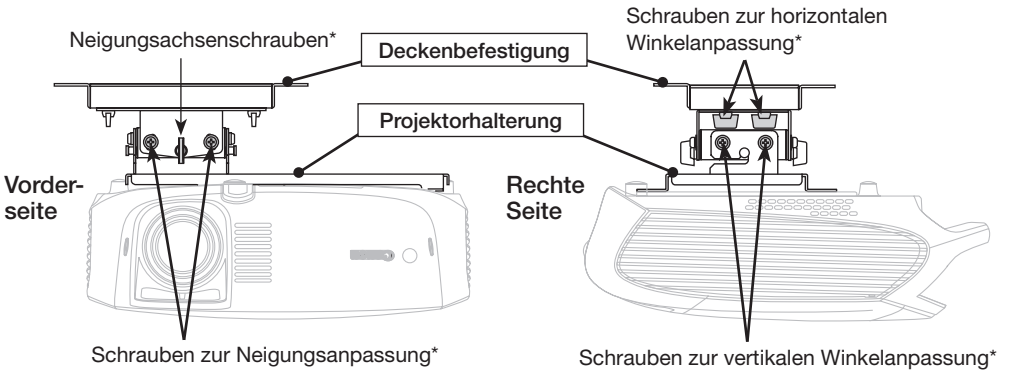


■ Erforderliche Werkzeuge

- Kreuzschraubendreher



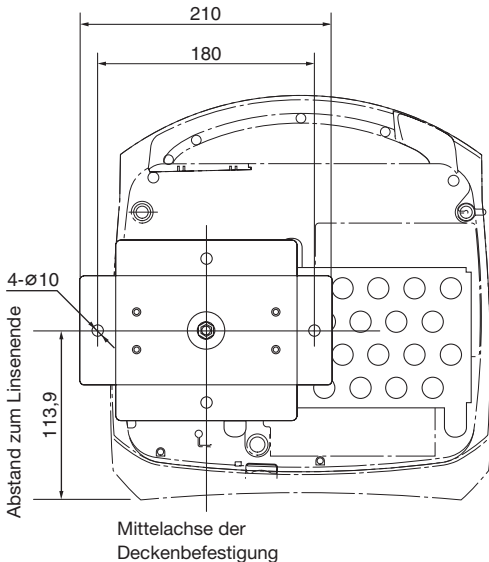
■ Bezeichnung der Teile



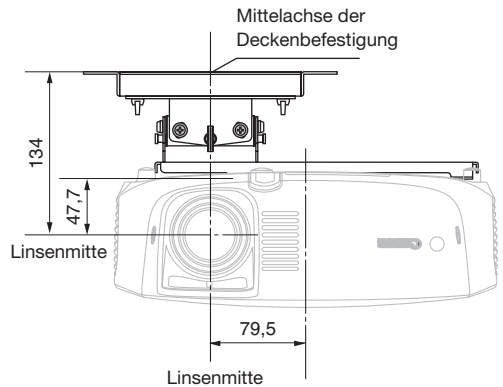
* Es befinden sich auch Schrauben auf der Seite gegenüber.

■ Abmessungen (Einheit: mm)

Abmessungen der Schraubenlöcher der Deckenbefestigung



Abmessungen der Deckenbefestigung und der Linsenmitte



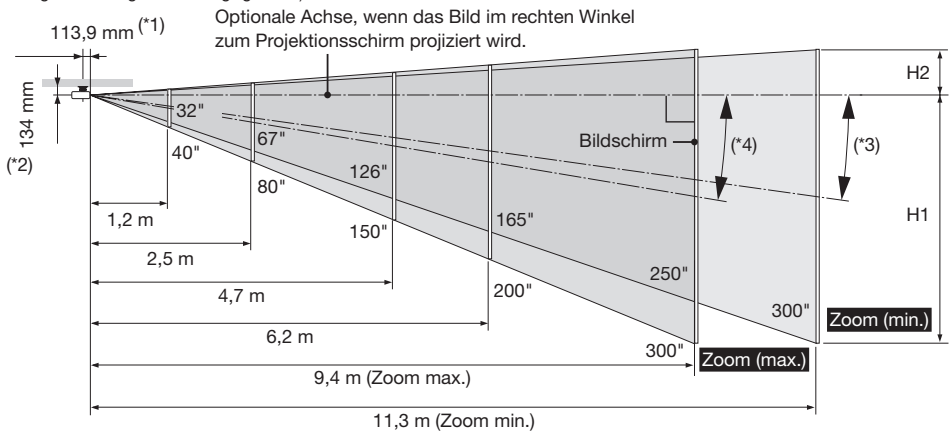
Anleitung zur Bildschirmgröße und Aufstellungsposition des Projektors

■ Bildschirmgröße und Projektionsabstand

< LV-7385/LV-7380/LV-7285/LV-7280/LV-7375/LV-7370/LV-7275 >

Verwenden Sie diese Anleitung, wenn die Entfernung zum Bildschirm und die Bildschirmgröße festgelegt werden.

- Die Deckenbefestigung kann in einem Winkel von bis zu $\pm 10^\circ$ nach oben oder unten ausgerichtet werden. Wenn jedoch ein zu großer Winkel gewählt wird, kommt es zu Bildverzerrungen. Daher ist es empfehlenswert, dass die Ausrichtung in Verbindung mit dem Bildschirmprojektionswinkel ausgeführt wird.
- Empfohlene Bildschirmgrößen für Projektoren liegen bei 21 Zoll bis zu 300 Zoll. (Bildschirmgrößen werden in der Länge der Diagonalen angegeben.)



(*)¹ Entfernung vom Zentrum der Deckenbefestigung zum Linsenende.

(*)² Entfernung der Linsenmitte zur Befestigungsoberfläche der Deckenbefestigung.

(*)³ Der Winkel zur Entfernung von der Linsenmitte (Horizontal) zur Bildschirmmitte beträgt 7,8 bis 7,9° unter Verwendung einer Telebild-Einstellung.

(*)⁴ Der Winkel zur Entfernung von der Linsenmitte (Horizontal) zur Bildschirmmitte beträgt 9,3 bis 9,5° unter Verwendung einer Weitwinkel-Einstellung.

Projektionsentfernung und Bildschirmgröße

Bildschirmgröße (B×H) cm	21"	25"	30"	40"	60"	80"	100"	150"	180"	200"	250"	300"
Projektionsentfernung Zoom (max.)	–	0,8 m (2,6')	0,9 m (3,0')	1,2 m (3,9')	1,9 m (6,2')	2,5 m (8,2')	3,1 m (10,2')	4,7 m (15,4')	5,6 m (18,4')	6,2 m (20,3')	7,8 m (25,6')	9,4 m (30,8')
Projektionsentfernung Zoom (min.)	0,8 m (2,6')	0,9 m (3,0')	1,1 m (3,6')	1,5 m (4,9')	2,2 m (7,2')	3,0 m (9,8')	3,7 m (12,1')	5,6 m (18,4')	6,8 m (22,3')	7,5 m (24,6')	9,4 m (30,8')	11,3 m (37,1')
H1	27 cm (0,9')	32 cm (1,1')	39 cm (1,3')	51 cm (1,7')	77 cm (2,5')	103 cm (3,4')	129 cm (4,2')	193 cm (6,3')	231 cm (7,6')	257 cm (8,4')	321 cm (10,5')	386 cm (12,7')
H2	5 cm (0,2')	6 cm (0,2')	7 cm (0,2')	10 cm (0,3')	14 cm (0,5')	19 cm (0,6')	24 cm (0,8')	36 cm (1,2')	43 cm (1,4')	48 cm (1,6')	60 cm (2,0')	71 cm (2,3')

H1 und H2: H1 ist die Höhe des projizierten Bildes gemessen ab dem Schnittpunkt zwischen der optischen Achse und der Bildfläche und H2 die Höhe bis zum Schnittpunkt.

Verwendung der Schaubilder

Gemäß des Schaubildes reichen die Bildschirmgrößen die man für eine Projektionsentfernung von 3 m verwenden kann von 80 Zoll bis 95 Zoll.

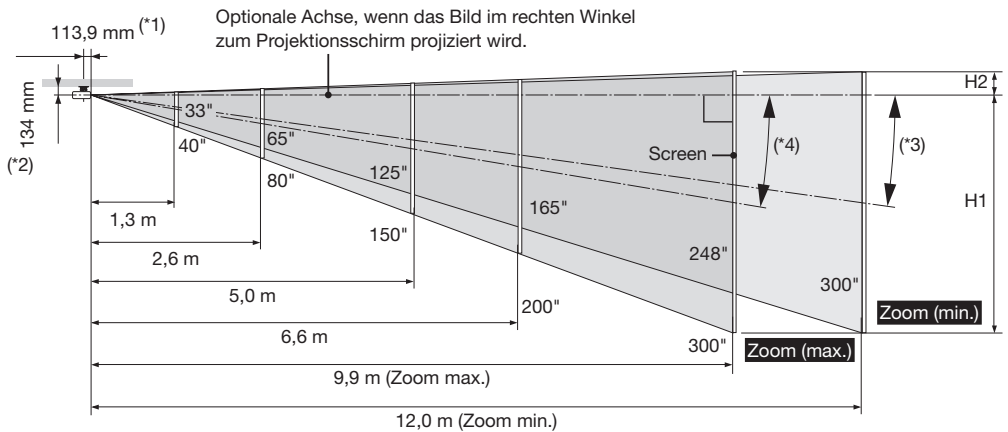
Um eine Projektion auf einen 180 Zoll großen Bildschirm zu ermöglichen, sollte die Projektionsentfernung gemäß dem Schaubild 5,6 m bis 6,8 m betragen.

Für die vertikalen und horizontalen Abmessungen der Bildschirmgröße, siehe Seite GER-9.

< LV-8310/LV-8215 >

Verwenden Sie diese Anleitung, wenn die Entfernung zum Bildschirm und die Bildschirmgröße festgelegt werden.

- Die Deckenbefestigung kann in einem Winkel von bis zu $\pm 10^\circ$ nach oben oder unten ausgerichtet werden. Wenn jedoch ein zu großer Winkel gewählt wird, kommt es zu Bildverzerrungen. Daher ist es empfehlenswert, dass die Ausrichtung in Verbindung mit dem Bildschirmprojektionswinkel ausgeführt wird.
- Empfohlene Bildschirmgrößen für Projektoren liegen bei 21 Zoll bis zu 300 Zoll. (Bildschirmgrößen werden in der Länge der Diagonalen angegeben.)



(*1) Entfernung vom Zentrum der Deckenbefestigung zum Linsenende.

(*2) Entfernung der Linsenmitte zur Befestigungsoberfläche der Deckenbefestigung.

(*3) Der Winkel zur Entfernung von der Linsenmitte (Horizontal) zur Bildschirmmitte beträgt 7,9 bis 8,3° unter Verwendung einer Telebild-Einstellung.

(*4) Der Winkel zur Entfernung von der Linsenmitte (Horizontal) zur Bildschirmmitte beträgt 9,5 bis 9,9° unter Verwendung einer Weitwinkel-Einstellung.

Projektionentfernung und Bildschirmgröße

Bildschirmgröße (B×H) cm	21"	25"	30"	40"	60"	80"	100"	150"	180"	200"	250"	300"
Projektionentfernung Zoom (max.)	–	0,8 m (2,6')	1,0 m (3,2')	1,3 m (4,2')	2,0 m (6,4')	2,6 m (8,6')	3,3 m (10,8')	5,0 m (16,3')	6,0 m (19,5')	6,6 m (21,7')	8,3 m (27,2')	9,9 m (32,6')
Projektionentfernung Zoom (min.)	0,8 m (2,6')	1,0 m (3,2')	1,2 m (3,8')	1,6 m (5,1')	2,4 m (7,7')	3,2 m (10,4')	4,0 m (13,0')	6,0 m (19,5')	7,2 m (23,5')	8,0 m (26,1')	10,0 m (32,7')	12,0 m (39,2')
H1	26 cm (0,8')	31 cm (1,0')	37 cm (1,2')	49 cm (1,6')	74 cm (2,4')	98 cm (3,2')	123 cm (4,0')	184 cm (6,0')	221 cm (7,3')	246 cm (8,1')	307 cm (10,1')	369 cm (12,1')
H2	2 cm (0,1')	3 cm (0,1')	4 cm (0,1')	5 cm (0,2')	7 cm (0,2')	9 cm (0,3')	12 cm (0,4')	18 cm (0,6')	21 cm (0,7')	24 cm (0,8')	29 cm (1,0')	35 cm (1,2')

H1 und H2: H1 ist die Höhe des projizierten Bildes gemessen ab dem Schnittpunkt zwischen der optischen Achse und der Bildfläche und H2 die Höhe bis zum Schnittpunkt.

Verwendung der Schaubilder

Gemäß des Schaubildes reichen die Bildschirmgrößen die man für eine Projektionsentfernung von 3 m verwenden kann von 80 Zoll bis 90 Zoll.

Um eine Projektion auf einen 180 Zoll großen Bildschirm zu ermöglichen, sollte die Projektionsentfernung gemäß dem Schaubild 6,0 m bis 7,2 m betragen.

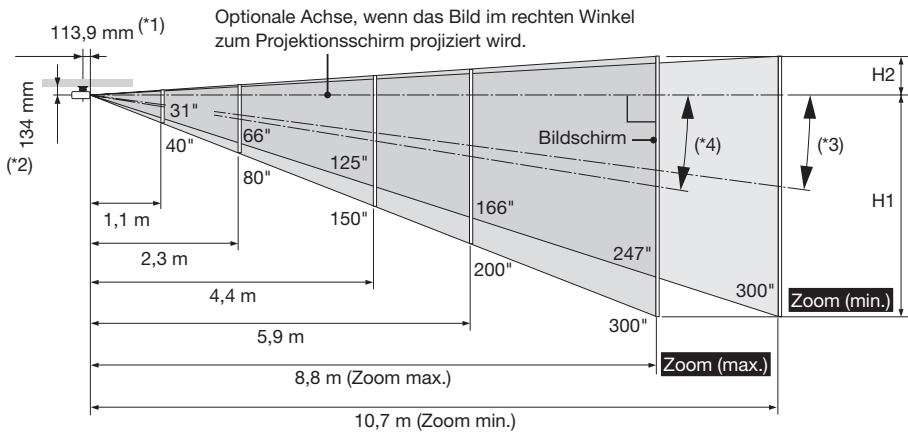
Für die vertikalen und horizontalen Abmessungen der Bildschirmgröße, siehe Seite GER-9.

Anleitung zur Bildschirmgröße und Aufstellungsposition des Projektors

< LV-8300 >

Verwenden Sie diese Anleitung, wenn die Entfernung zum Bildschirm und die Bildschirmgröße festgelegt werden.

- Die Deckenbefestigung kann in einem Winkel von bis zu $\pm 10^\circ$ nach oben oder unten ausgerichtet werden. Wenn jedoch ein zu großer Winkel gewählt wird, kommt es zu Bildverzerrungen. Daher ist es empfehlenswert, dass die Ausrichtung in Verbindung mit dem Bildschirmprojektionswinkel ausgeführt wird.
- Empfohlene Bildschirmgrößen für Projektoren liegen bei 21 Zoll bis zu 300 Zoll. (Bildschirmgrößen werden in der Länge der Diagonalen angegeben.)



(*1) Entfernung vom Zentrum der Deckenbefestigung zum Linsenende.

(*2) Entfernung der Linsenmitte zur Befestigungsfläche der Deckenbefestigung.

(*3) Der Winkel zur Entfernung von der Linsenmitte (Horizontal) zur Bildschirmmitte beträgt 7,5 bis $8,0^\circ$ unter Verwendung einer Telebild-Einstellung.

(*4) Der Winkel zur Entfernung von der Linsenmitte (Horizontal) zur Bildschirmmitte beträgt 9,1 bis $9,6^\circ$ unter Verwendung einer Weitwinkel-Einstellung.

Projektionsentfernung und Bildschirmgröße

Bildschirmgröße (B×H) cm	21"	25"	30"	40"	60"	80"	100"	150"	180"	200"	250"	300"
Projektionsentfernung Zoom (max.)	–	0,7 m (2,3')	0,9 m (3,0')	1,1 m (3,6')	1,7 m (5,6')	2,3 m (7,5')	2,9 m (9,5')	4,4 m (14,4')	5,3 m (17,4')	5,9 m (19,4')	7,4 m (24,3)	8,8 m (28,9')
Projektionsentfernung Zoom (min.)	0,7 m (2,3')	0,9 m (3,0')	1,0 m (3,3')	1,4 m (4,6')	2,1 m (6,9')	2,8 m (9,2')	3,5 m (11,5')	5,3 m (17,4')	6,4 m (21,0')	7,1 m (23,3')	8,9 m (29,2')	10,7 m (35,1')
H1	24 cm (0,8')	29 cm (0,9')	34 cm (1,1')	46 cm (1,5')	69 cm (2,3')	92 cm (3,0')	114 cm (3,8')	172 cm (5,6')	206 cm (6,8')	229 cm (7,5')	286 cm (9,4')	343 cm (11,3')
H2	4 cm (0,1')	5 cm (0,2')	6 cm (0,2')	8 cm (0,3')	12 cm (0,4')	16 cm (0,5')	20 cm (0,7')	30 cm (1,0')	36 cm (1,2')	40 cm (1,3')	50 cm (1,7')	61 cm (2,0')

H1 und H2: H1 ist die Höhe des projizierten Bildes gemessen ab dem Schnittpunkt zwischen der optischen Achse und der Bildfläche und H2 die Höhe bis zum Schnittpunkt.

Verwendung der Schaubilder

Gemäß des Schaubildes reichen die Bildschirmgrößen die man für eine Projektionsentfernung von 3 m verwenden kann von 90 Zoll bis 100 Zoll.

Um eine Projektion auf einen 180 Zoll großen Bildschirm zu ermöglichen, sollte die Projektionsentfernung gemäß dem Schaubild 5,3 m bis 6,4 m betragen.

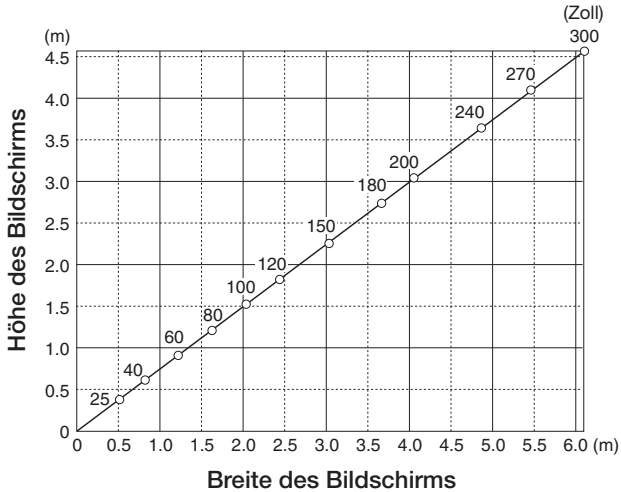
Für die vertikalen und horizontalen Abmessungen der Bildschirmgröße, siehe Seite GER-9.

■ Bildschirmgröße Umrechnungstabelle

< LV-7385/LV-7380/LV-7285/LV-7280/LV-7375/LV-7370/LV-7275 >

Verwendung der Tabelle

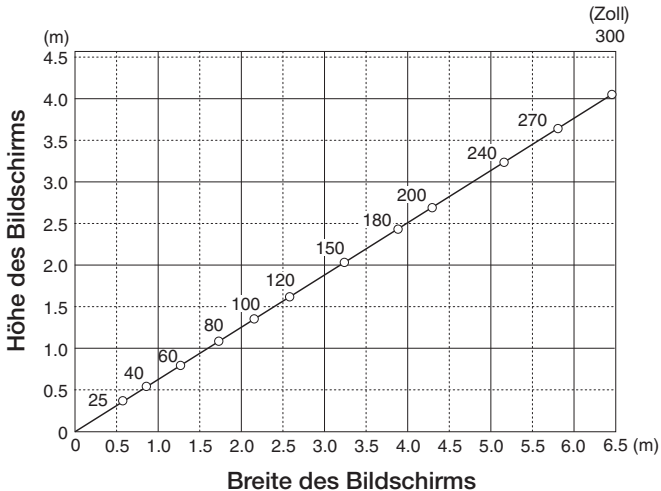
Die Abmessungen eines 100 Zoll Bildschirms betragen gemäß Tabelle horizontal etwa 2 m und vertikal etwa 1,5 m.



< LV-8310/LV-8215/LV-8300 >

Verwendung der Tabelle

Die Abmessungen eines 100 Zoll Bildschirms betragen gemäß Tabelle horizontal etwa 2,15 m und vertikal etwa 1,34 m.



Aufstellen des Projektors

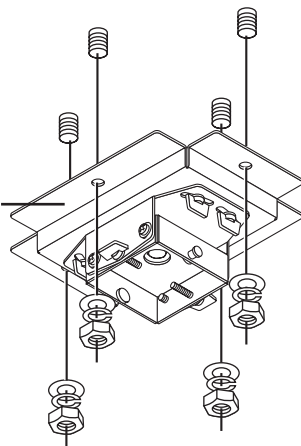
1 Bringen Sie die Deckenbefestigung an der Decke an

Ziehen Sie die Schrauben erst leicht an, nach dem Positionieren dann fester.

ACHTUNG!

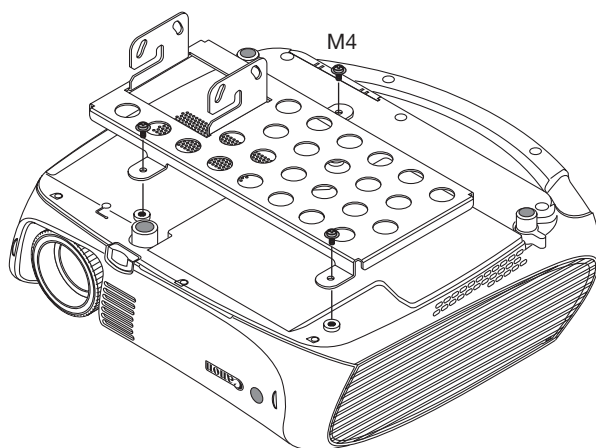
Benutzen Sie zur Deckenbefestigung M8 Bolzen. Die Verwendung anderer Bolzentypen als M8 könnte dazu führen, dass der Projektor herunterfällt.

Deckenbefestigung



2 Bringen Sie die Projektorhalterung an den Projektor an

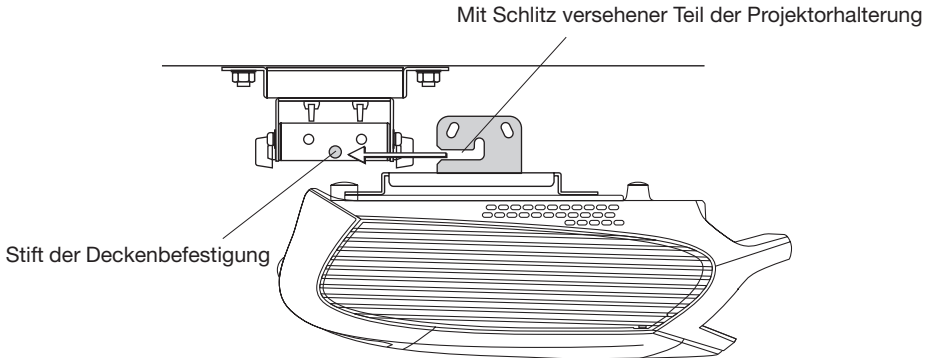
Verwenden Sie drei M4 Schrauben um die Projektorhalterung zu befestigen.



3 Hängen Sie den Projektor an die Deckenbefestigung

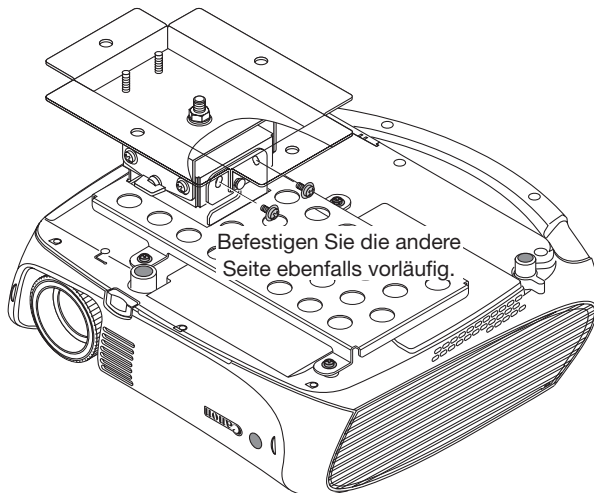
Schieben Sie den mit einem Schlitz versehenen Teil der Projektorhalterung über den Stift der Deckenbefestigung und drücken Sie ihn nach hinten.

In diesem Zustand muss darauf geachtet werden, dass der Projektor nicht herunterfällt, da er nicht fixiert ist.



4 Befestigen Sie die Projektorhalterung vorläufig

Vorläufiges Befestigen durch Anziehen der vier beiliegenden (M5) Schrauben. Fester anziehen nach dem Einstellen des Bildschirm-Projektionswinkels.



5 Die Kabel am Projektor und der Deckenhalterung anbringen.

Stellen Sie sicher, dass Sie die zwei Kabel wie unten beschrieben installieren, um den Projektor vor dem Herunterfallen zu bewahren.

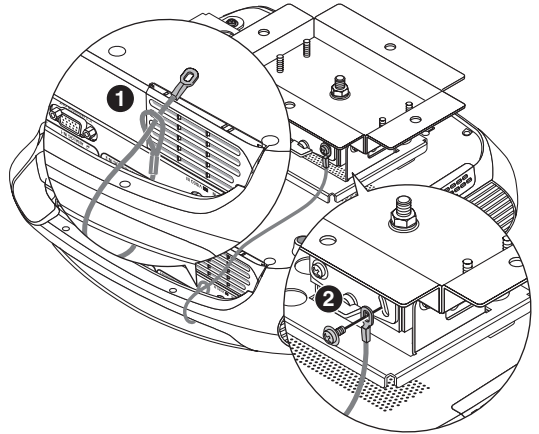
• Das Sicherungskabel befestigen (Das erste Kabel)

[Projektor Seite]

- 1 Führen Sie den Ring des längeren Kabels durch den Tragegriff des Projektors.

[Deckenbefestigung]

- 2 Zur Befestigung drehen Sie die Schraube (M5) der Projektorhalterung durch den Ring des Kabels.



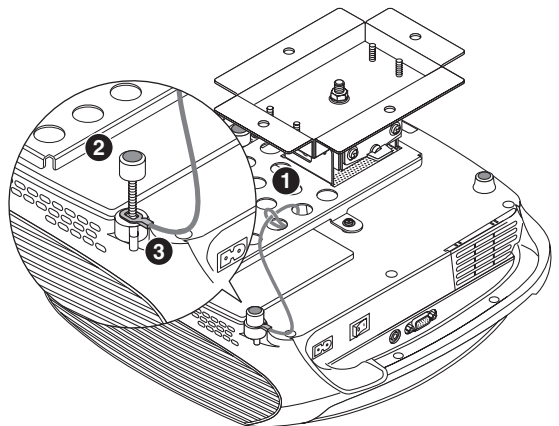
• Das Sicherungskabel befestigen (Das zweite Kabel)

[Deckenbefestigung]

- 1 Führen Sie den Ring des längeren Kabels durch das Loch der Deckenhalterung.

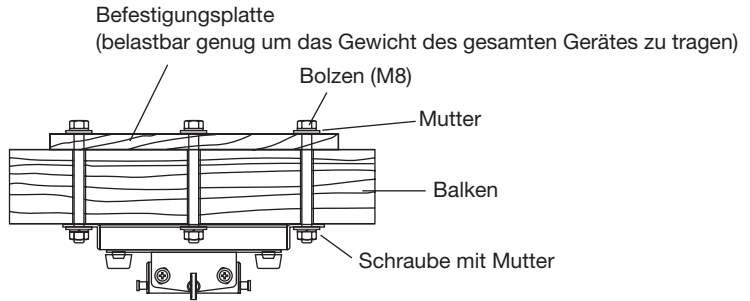
[Projektor Seite]

- 2 Drehen Sie den hinteren Einstellfuß so nah wie möglich Richtung Einschaltknopf und entfernen Sie ihn vom Projektor.
- 3 Führen Sie die Schraube des hinteren Einstellfußes durch den Ring des Kabels und befestigen Sie den Fuß wieder am Projektor.

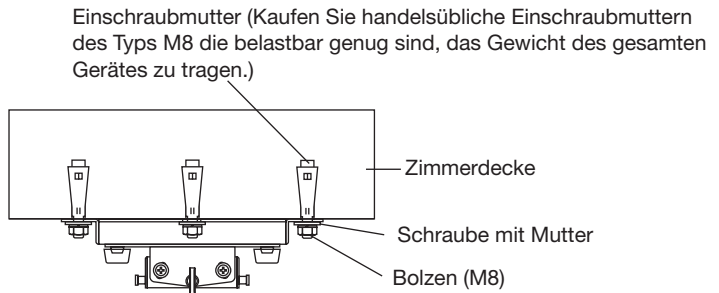


HINWEIS: Installationsbeispiele

- Wenn die Zimmerdecke aus Holz besteht:



- Wenn die Zimmerdecke aus Beton besteht:



HINWEIS : Befestigungsplatten, Einschraubmuttern des Typs M8, Bolzen, Schrauben und Muttern sind im Handel erhältlich.

Einstellung des Projektionswinkels

Vor dem Einstellvorgang

- Ziehen Sie die Bedienungsanleitung zu Rate, schalten Sie das Gerät ein und projizieren Sie ein Bild.
- Schlagen Sie die Sektion [Bildrotation h/v] im Kapitel Einrichtung auf und wählen Sie die Projektionsausrichtung.
- Wählen Sie [Deckenprojektion], wenn die Projektion von der Vorderseite erfolgt; wählen Sie [Rückw. Deckenprojekt.], wenn die Projektion von der Rückseite erfolgt.
- Ermitteln Sie mit dem manuellen Zoom provisorisch die Projektionsgröße und führen Sie dann die Winkeleinstellung aus.

— Die Einstellung des Projektionswinkels sollte im Allgemeinen den unten beschriebenen Schritten folgen. —

1. Verzerrungseinstellung

Stellen Sie alle horizontalen, vertikalen und Neigungswinkel so ein, dass das projizierte Bild rechteckig wird.

Es ist in Ordnung, wenn das Bild zu diesem Zeitpunkt über den Bildschirm hinausragt.

2. Feinjustierung

Nutzen Sie die Funktion der Feinjustierung der Linse, um links-rechts, oben-unten und die Neigungswinkel so einzustellen, dass das projizierte Bild mit dem Schirm übereinstimmt.

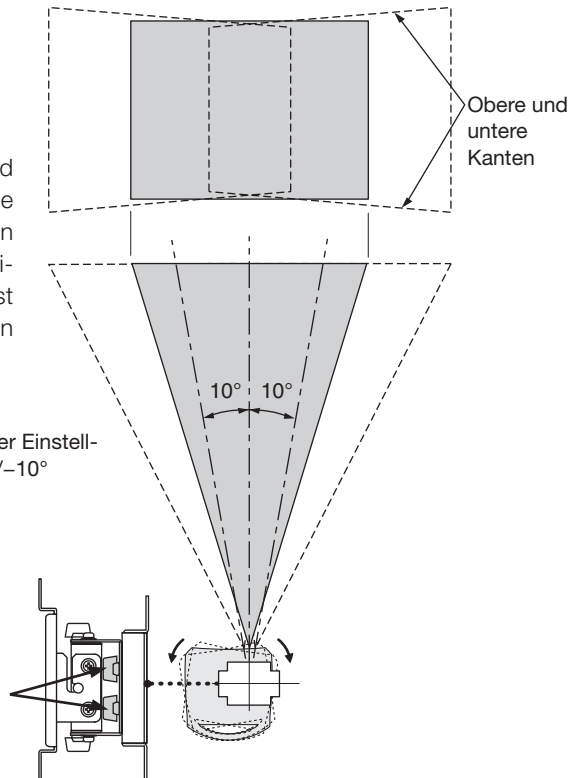
■ Verzerrungseinstellung

1 Einstellung des horizontalen Winkels

Drehen Sie den Projektor nach links und rechts bis die obere und untere Kante des Bildschirms parallel sind. Ziehen Sie dann die vier Schrauben zur horizontalen Winkelanpassung fest. Es ist in Ordnung, wenn das Bild über den Bildschirm hinausragt.

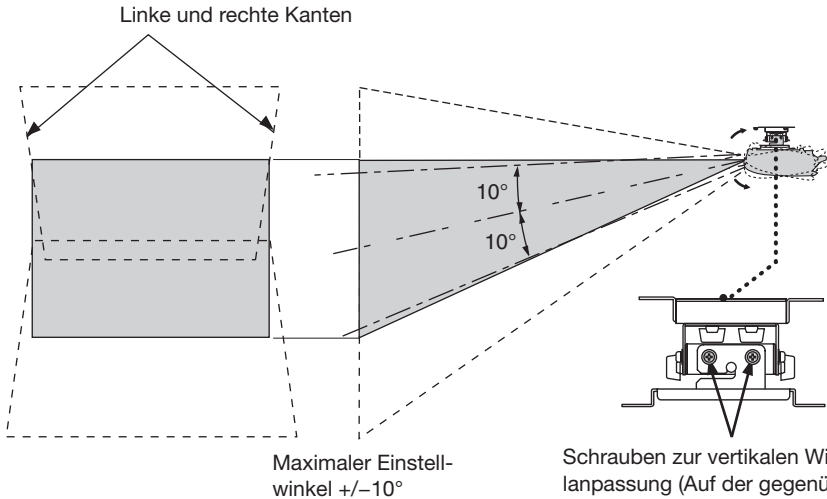
Maximaler Einstellwinkel $\pm 10^\circ$

Schrauben zur horizontalen Winkelanpassung (Auf der gegenüberliegenden Seite befinden sich ebenfalls Schrauben.)



2 Einstellung des vertikalen Winkels

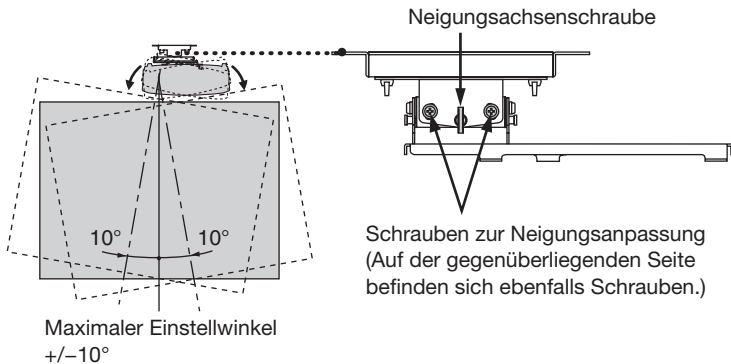
Drehen Sie den Projektor nach oben und unten bis die linke und rechte Kante des Bildschirms parallel sind. Ziehen Sie dann die vier Schrauben zur vertikalen Winkelanpassung fest. Es ist in Ordnung, wenn das Bild über den Bildschirm hinausragt.



Schrauben zur vertikalen Winkelanpassung (Auf der gegenüberliegenden Seite befinden sich ebenfalls Schrauben.)

3 Einstellung der Neigung

Justieren Sie die Neigung, so, dass das Bild ohne schief zu stehen auf den Bildschirm projiziert wird. Ziehen Sie dann die vier Schrauben zur Neigungsanpassung fest. Ziehen Sie zuletzt die zwei Neigungsachsenschrauben fest, falls nicht bereits geschehen.



Schrauben zur Neigungsanpassung (Auf der gegenüberliegenden Seite befinden sich ebenfalls Schrauben.)

Wenn die Justierung nicht korrekt funktioniert, beginnen Sie erneut bei Schritt **1**.

Einstellung des Projektionswinkels

■ Feinjustierung

Lockern Sie die Schrauben die Sie zur Verzerrungseinstellung verwendet haben und justieren Sie den Winkel so, dass das projizierte Bild auf den Bildschirm passt; ziehen Sie dann alle Schrauben fest (d.h., 14 Schrauben inklusive den Neigungsachsenschrauben).

Nach den Justierungen, prüfen Sie, dass die Deckenbefestigung und der Projektor sicher angebracht sind.

Technische Daten

Name des Produkts:	Deckenbefestigung
Modell:	LV-CL15
Einstellwinkel:	Vertikaler Winkel $\pm 10^\circ$ Horizontaler Winkel $\pm 10^\circ$ Neigungswinkel $\pm 10^\circ$
Abmessungen:	327 (W) \times 166 (D) \times 88 (H) mm (wenn montiert, ohne herausstehende Teile)
Nettogewicht:	Etwa 1,3 kg
Lieferumfang:	Deckenbefestigung..... 1 Projektorhalterung 1 Schrauben zur Projektorbefestigung (M4) 3 Schrauben zur vertikalen Winkelanpassung (M5) 4 Sicherungskabel 2 Installationshandbuch 1

Technische Daten und Aussehen können unangekündigt geändert werden.

天吊り金具 LV-CL15

使用説明書

このたびはキヤノン パワープロジェクター用天吊り金具をお買い上げいただき誠にありがとうございます。

正しくお使いいただくために、この使用説明書をよくお読みください。

★この天吊り金具は次のLV-7380/LV-7285/LV-8310/LV-7375/LV-7370/LV-7275/LV-8300にご使用いただけます。

(2010年3月現在)

天吊り金具の取り付けおよびプロジェクターの設置には特別な技術が必要です。お客様による工事は、一切行わないでください。設置の際は、お買い上げの販売店にご相談ください。

ご購入店様・工事店様へ

お客様の安全のため取り付け場所の強度には、天吊り金具およびプロジェクターの荷重に耐えるよう十分注意のうえ、設計施工をお願いいたします。

目次


お守りください.....	JPN-2
はじめに	JPN-4
■付属品一覧.....	JPN-4
■必要な工具.....	JPN-4
■各部の名称.....	JPN-5
■各部の寸法.....	JPN-5
画面サイズとプロジェクター取り付け位置の目安.....	JPN-6
■画面サイズと投写距離	JPN-6
【LV-7380/LV-7285/LV-7375/LV-7370/LV-7275】.....	JPN-6
【LV-8310】.....	JPN-7
【LV-8300】.....	JPN-8
■画面サイズ換算表.....	JPN-9
【LV-7380/LV-7285/LV-7375/LV-7370/LV-7275】.....	JPN-9
【LV-8310/LV-8300】.....	JPN-9
プロジェクターの取り付けかた	JPN-10
投写角度調整のしかた	JPN-14
■歪み調整	JPN-14
■微調整	JPN-16
仕様.....	JPN-16


お守りください

ご使用前に

絵表示について

この「使用説明書」では、製品を安全に正しくお使いいただき、あなたや他の人々への危害や財産への損害を未然に防止するために、いろいろな絵表示をしています。その表示と意味は次のようになっています。内容をよく理解してから本文をお読みください。

 **警告** この表示を無視して、誤った取り扱いをすると、人が死亡や大けがをするなど人身事故の原因となります。

 **注意** この表示を無視して、誤った取り扱いをすると、人がけがをしたり周囲の家財に損害をあたえたりすることがあります。

絵表示の例



△ 記号は注意(警告を含む)をうながす内容があることを告げるものです。図の中に具体的な注意内容(左図の場合は感電注意)が描かれています。



⊘ 記号はしてはいけないことを表しています。図の中に具体的な禁止内容(左図の場合は分解禁止)が描かれています。



● 記号はしなければならないことを表しています。図の中に具体的な指示内容が描かれています。

警告



プロジェクターを設置および角度調整の際は、必ず使用説明書に基づいて行ってください。誤った設置および角度調整はプロジェクターが落下してけがの原因となります。



落下防止のため取り付け場所の強度および固定方法は、プロジェクター(約3.3kg)および天吊り金具(約1.3kg)の総合荷重(約4.6kg)に長期間十分耐え、また地震にも十分耐える施工を行ってください。誤った取り付けを行った場合、プロジェクターが落下してけがの原因となります。

以下の事項を必ずお守りください。

- 各部を止めるボルトおよびねじ類はこの使用説明書の指定に従ってご用意ください。
- プロジェクターの電源はコンセントを使用してください。直接電灯線に接続することは危険ですので行わないでください。また、電源プラグを抜き差しできるように手の届くコンセントをご使用ください。
- 天井が木造の場合の取り付け**
荷重は必ず梁に持たせるようにし、梁の強度が不足する場合は、補強してください。天井の幅木や受け木には取り付けしないでください。また、鉄骨梁の吊り天井の場合も荷重を梁に持たせ、天井吊り金具などには取り付けしないでください。
- 天井がコンクリートの場合の取り付け**
プロジェクターの荷重に十分耐える市販品のアンカーボルト(M8)をお求めください。

警告



安全確保のため、ボルトおよびねじ類は確実に締めつけてください。
プロジェクターが落下してけがの原因となります。



固定した天井固定部にプロジェクター取り付けアダプターの溝を合わせるとき、確実に入っていることを確かめてください。
プロジェクターが落下してけがの原因となります。



付属のワイヤーを必ず取り付けてください。
プロジェクターが落下してけがの原因となります。



部品を改造しないでください。
プロジェクターが落下してけがの原因となります。



壊れた部品を使用しないでください。プロジェクターが落下してけがの原因となります。
万一、部品が壊れた場合は販売店にご相談ください。



プロジェクター動作中はレンズをのぞかないでください。
視力障害の原因となります。

注意



プロジェクターの通風孔をふさがないでください。通風孔をふさぐと内部に熱がこもり、火災の原因となることがありますので、次のような使いかたはしないでください。
たとえば、プロジェクターを壁などの狭い風通しの悪いところに設置する・カバーなどでおおい隠すなど。



プロジェクターを冷暖房の吐き出し口や振動の多い場所には設置しないでください。
火災・感電の原因となることがあります。



湿気やほこり、油煙や湯気の当たるようなところ（調理台や加湿器のそばなど）に設置しないでください。火災の原因となることがあります。



プロジェクターを設置するときは周囲から十分な間隔をあけてください。
十分な間隔をあげないと内部に熱がこもり火災の原因となることがあります。



ケーブル配線時に、ケーブルなどで吸気口や排気口をふさがないでください。
内部の温度上昇を招いて故障の原因となります。

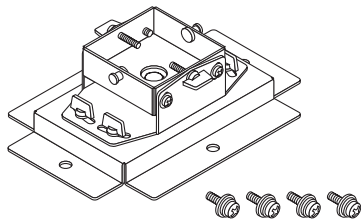
お願い

- **ほこりや湿気、油煙やタバコの煙の多い部屋はさけてください**
レンズ・ミラーなど光学部品に汚れが付着して、画質が悪くなる原因となります。
- **直射日光や照明の光がスクリーンに当たる場所はさけてください**
スクリーンに周辺の光が直接当たると画面が白っぽくなり見にくい画面となります。
- **高温または低温になる場所には設置しないでください**
故障の原因となります。（使用温度範囲はプロジェクターの使用説明書をご覧ください。）

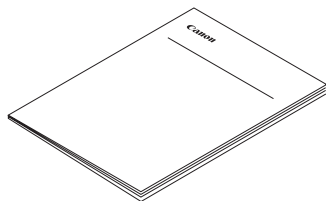
はじめに

■付属品一覧

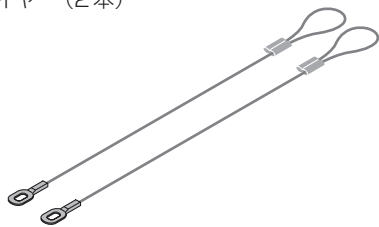
- 天井固定部 (1 個)
- 上下角度調整ねじ (M5…4本)
- プロジェクター取り付けアダプター (1 個)
- プロジェクター取り付けねじ (M4…3本)



- 使用説明書 (本書) (1 冊)

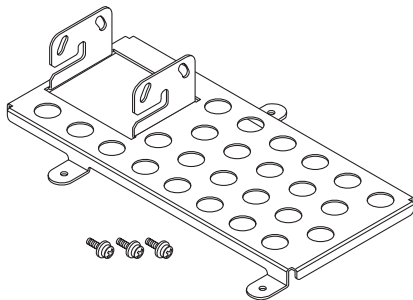


- ワイヤー (2本)

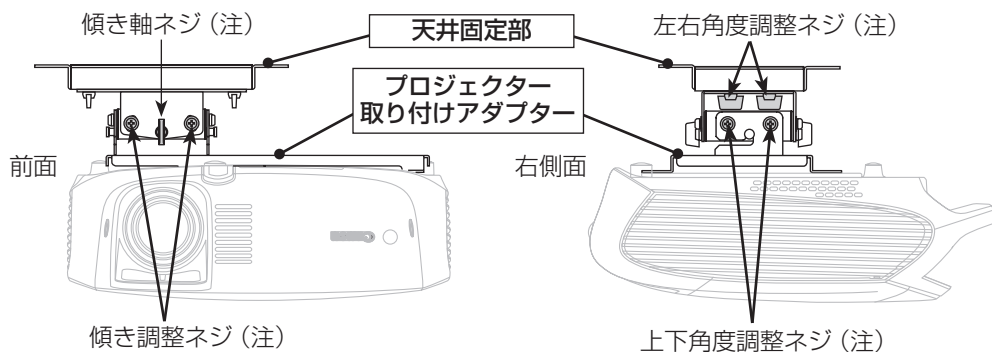


■必要な工具

- プラスドライバー



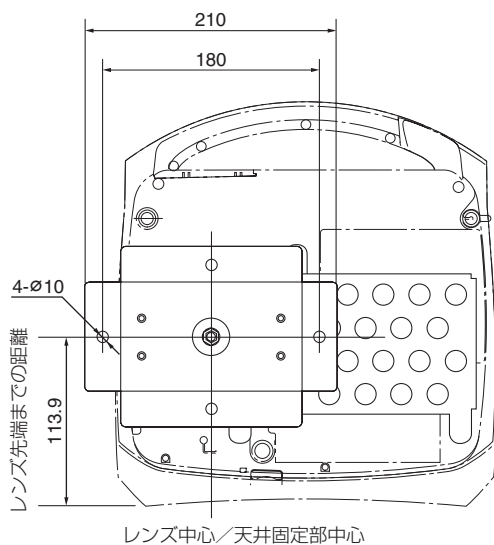
■各部の名称



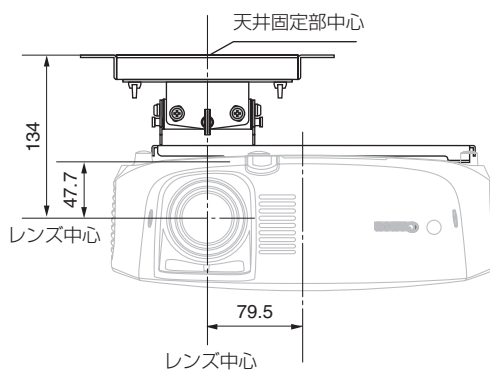
注：これらのネジは反対側にもあります。

■各部の寸法 (単位：mm)

天井固定部ボルト穴位置寸法図



天井固定部とレンズ中心寸法図



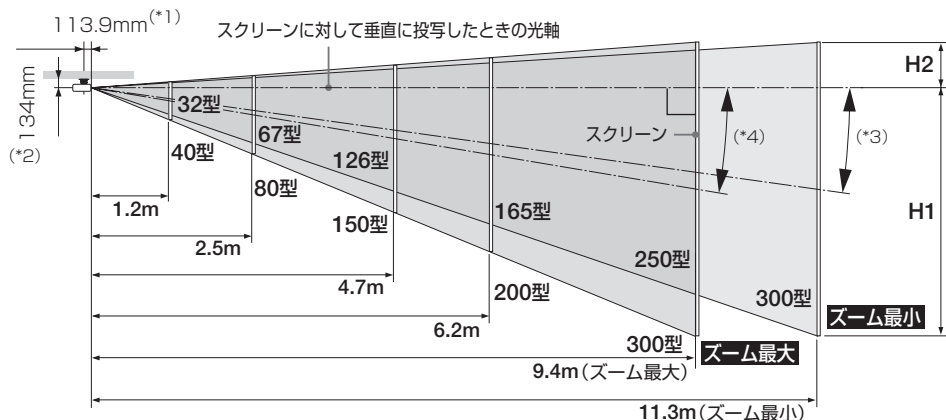
画面サイズとプロジェクター取り付け位置の目安

■画面サイズと投写距離

【LV-7380/LV-7285/LV-7375/LV-7370/LV-7275】

スクリーンまでの距離と画面サイズの検討にお使いください。

- 天吊り金具は最大±10°の上下調整ができますが、角度を大きくとりすぎると、映像が多少歪みますので、スクリーンの角度も合わせて調整することをおすすめします。
- プロジェクターの推奨画面サイズは21型～300型です。(画面サイズは対角寸法です。)



(*1) 天井固定部の中心から本体レンズ先端の距離です。

(*2) 天井固定部の天井取り付け面からレンズ中心の距離です。

(*3) レンズ中心(水平)からスクリーン中心のズーム最小時の角度7.8～7.9度です。

(*4) レンズ中心(水平)からスクリーン中心のズーム最大時の角度9.3～9.5度です。

画面サイズ(型)	21	25	30	40	60	80	100	150	180
(幅×高さcm)	43×32	51×38	61×46	81×61	122×91	163×122	203×152	305×229	366×274
投写距離(m)	-	0.8	0.9	1.2	1.9	2.5	3.1	4.7	5.6
ズーム最大									
投写距離(m)	0.8	0.9	1.1	1.5	2.2	3.0	3.7	5.6	6.8
ズーム最小									
H1(cm)	27	32	39	51	77	103	129	193	231
H2(cm)	5	6	7	10	14	19	24	36	43

画面サイズ(型)	200	250	300
(幅×高さcm)	406×305	508×381	610×457
投写距離(m)	6.2	7.8	9.4
ズーム最大			
投写距離(m)	7.5	9.4	11.3
ズーム最小			
H1(cm)	257	321	386
H2(cm)	48	60	71

H1、H2：スクリーンに対して垂直に投写したときの光軸を境にした上下の高さ

図の使いかた

投写距離3mで使用できる画面サイズは…図より80型～95型

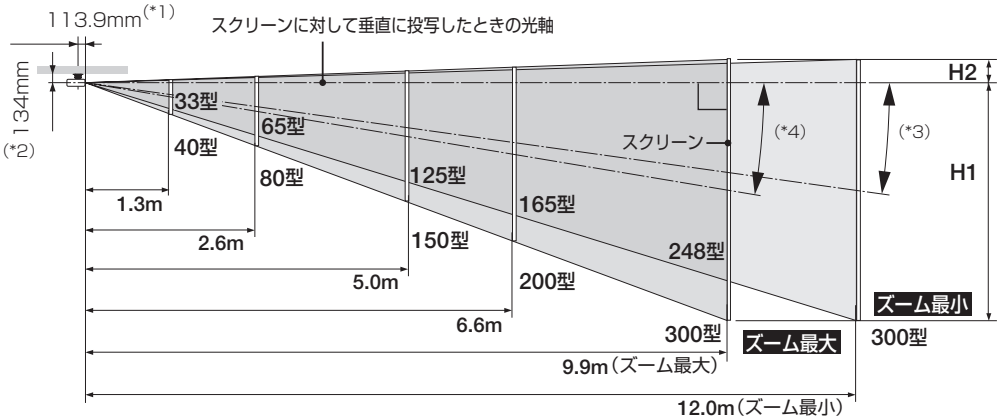
画面サイズ180型スクリーンに映すには…図より投写距離5.6m～6.8mとなります。

画面サイズの縦と横の寸法はJPN-9ページをご参照ください。

[LV-8310]

スクリーンまでの距離と画面サイズの検討にお使いください。

- 天吊り金具は最大±10°の上下調整ができますが、角度を大きくとりすぎると、映像が多少歪みますので、スクリーンの角度も合わせて調整することをおすすめします。
- プロジェクターの推奨画面サイズは21型～300型です。(画面サイズは対角寸法です。)



(*1) 天井固定部の中心から本体レンズ先端の距離です。

(*2) 天井固定部の天井取り付け面からレンズ中心の距離です。

(*3) レンズ中心(水平)からスクリーン中心のズーム最小時の角度7.9～8.3度です。

(*4) レンズ中心(水平)からスクリーン中心のズーム最大時の角度9.5～9.9度です。

画面サイズ(型)	21	25	30	40	60	80	100	150	180
(幅×高さcm)	45×28	54×34	65×40	86×54	129×81	172×108	215×135	323×202	388×242
投写距離(m) ズーム最大	-	0.8	1.0	1.3	2.0	2.6	3.3	5.0	6.0
投写距離(m) ズーム最小	0.8	1.0	1.2	1.6	2.4	3.2	4.0	6.0	7.2
H1 (cm)	26	31	37	49	74	98	123	184	221
H2 (cm)	2	3	4	5	7	9	12	18	21

画面サイズ(型)	200	250	300
(幅×高さcm)	431×269	538×337	646×404
投写距離(m) ズーム最大	6.6	8.3	9.9
投写距離(m) ズーム最小	8.0	10.0	12.0
H1 (cm)	246	307	369
H2 (cm)	24	29	35

H1、H2：スクリーンに対して垂直に投写したときの光軸を境にした上下の高さ

図の使いかた

投写距離3mで使用できる画面サイズは…図より80型～90型

画面サイズ180型スクリーンに映すには…図より投写距離6.0m～7.2mとなります。

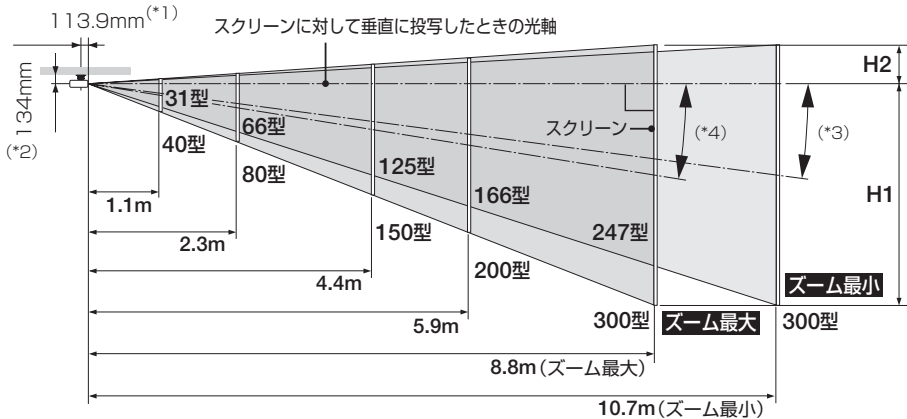
画面サイズの縦と横の寸法はJPN-9ページをご参照ください。

画面サイズとプロジェクター取り付け位置の目安

[LV-8300]

スクリーンまでの距離と画面サイズの検討にお使いください。

- 天吊り金具は最大±10°の上下調整ができますが、角度を大きくとりすぎると、映像が多少歪みますので、スクリーンの角度も合わせて調整することをおすすめします。
- プロジェクターの推奨画面サイズは21型～300型です。(画面サイズは対角寸法です。)



(*1) 天井固定部の中心から本体レンズ先端の距離です。

(*2) 天井固定部の天井取り付け面からレンズ中心の距離です。

(*3) レンズ中心(水平)からスクリーン中心のズーム最小時の角度7.5～8.0度です。

(*4) レンズ中心(水平)からスクリーン中心のズーム最大時の角度9.1～9.6度です。

画面サイズ(型)	21	25	30	40	60	80	100	150	180
(幅×高さcm)	45×28	54×34	65×40	86×54	129×81	172×108	215×135	323×202	388×242
投写距離(m) ズーム最大	-	0.7	0.9	1.1	1.7	2.3	2.9	4.4	5.3
投写距離(m) ズーム最小	0.7	0.9	1.0	1.4	2.1	2.8	3.5	5.3	6.4
H1(cm)	24	29	34	46	69	92	114	172	206
H2(cm)	4	5	6	8	12	16	20	30	36

画面サイズ(型)	200	250	300
(幅×高さcm)	431×269	538×337	646×404
投写距離(m) ズーム最大	5.9	7.4	8.8
投写距離(m) ズーム最小	7.1	8.9	10.7
H1(cm)	229	286	343
H2(cm)	40	50	61

H1、H2：スクリーンに対して垂直に投写したときの光軸を境にした上下の高さ

図の使いかた

投写距離3mで使用できる画面サイズは…図より90型～100型

画面サイズ180型スクリーンに映すには…図より投写距離5.3m～6.4mとなります。

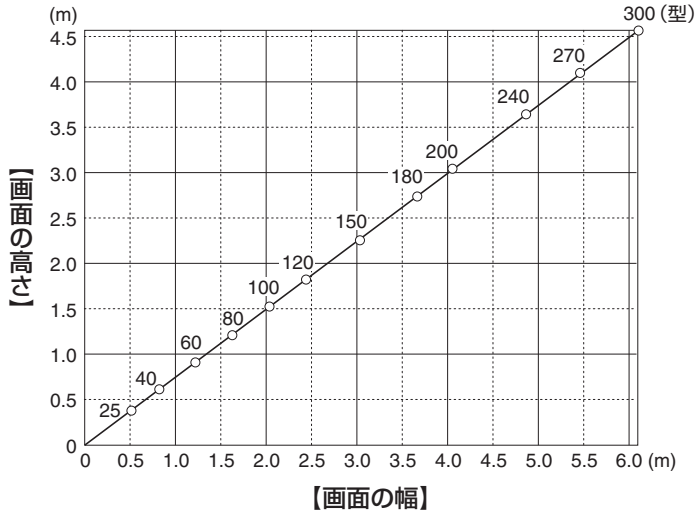
画面サイズの縦と横の寸法はJPN-9ページをご参照ください。

■画面サイズ換算表

【LV-7380/LV-7285/LV-7375/LV-7370/LV-7275】

表の使いかた

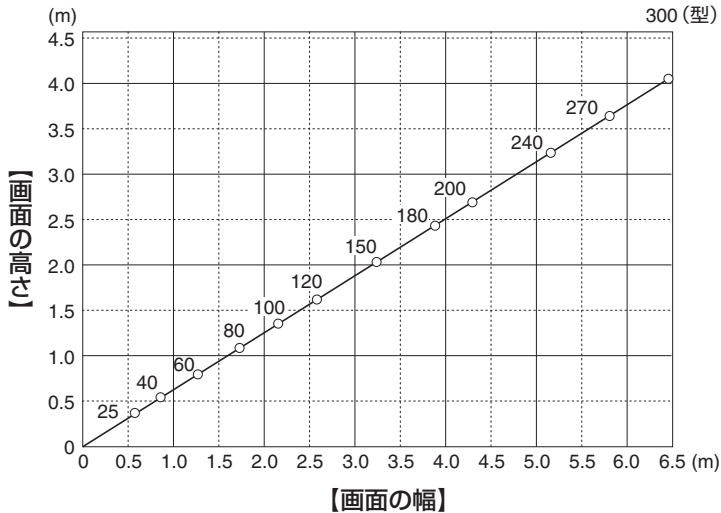
画面サイズ100型の寸法は、表より横約2m、縦約1.5mになります。



【LV-8310/LV-8300】

表の使いかた

画面サイズ100型の寸法は、表より横約2.15m、縦約1.34mになります。



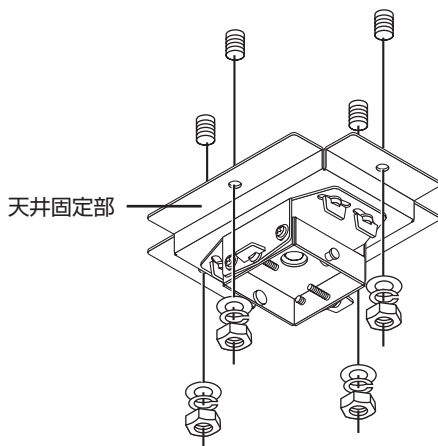
プロジェクターの取り付けかた

1 天井固定部を天井に取り付ける

はじめにねじ4箇所を仮締めし、位置決めを行ったあと、しっかり締めつけます。

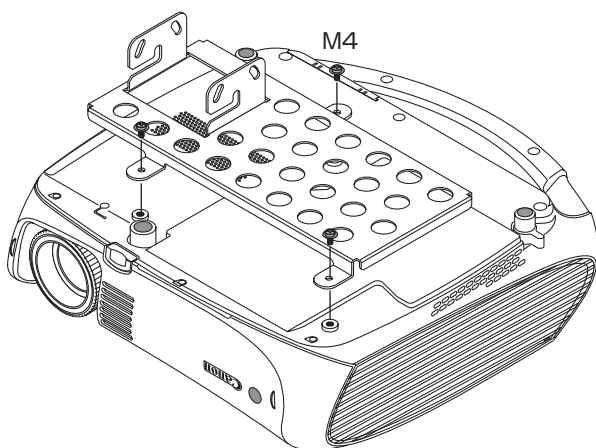
⚠ 警告

❗ 天井固定部のボルトはM8を使用してください。M8以外を使用するとプロジェクターが落下してけがの原因となります。



2 プロジェクター取り付けアダプターをプロジェクターに取り付ける

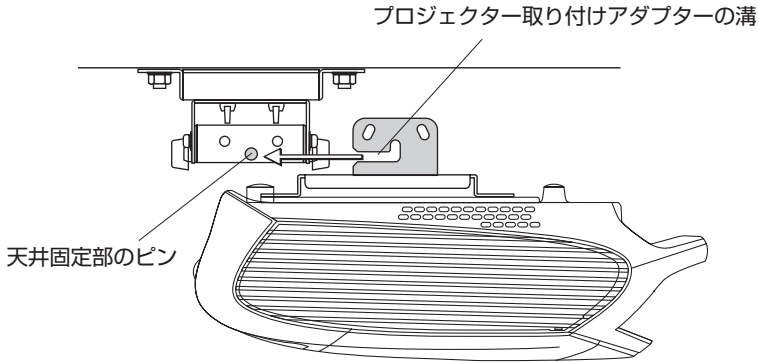
M4のねじ3本を使い、プロジェクター取り付けアダプターを取り付けます。



3 天井固定部にプロジェクターを吊り下げる

天井固定部のピンにプロジェクター取り付けアダプターの溝をスライドさせて奥まで入れます。

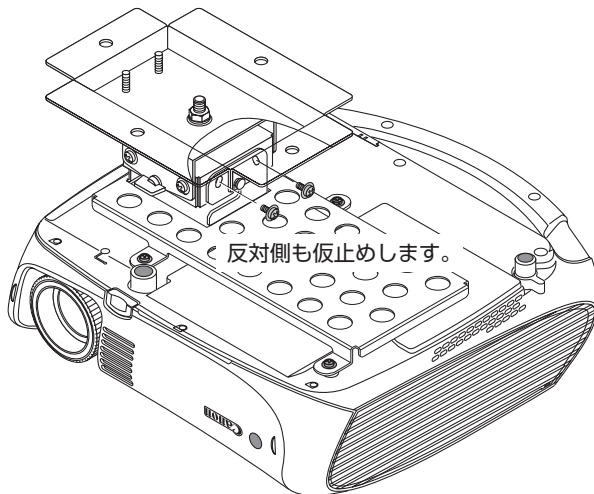
この状態は一時的に吊り下げるため、固定されていませんので、落下しないように注意してください。



4 プロジェクター取り付けアダプターを仮止めする

付属のねじ (M5) 4本で仮止めします。

スクリーンの投写角度調整後は、しっかり締めつけてください。



5 プロジェクター本体と天吊り金具にワイヤーを取り付ける

落下防止のため、次のようにしてワイヤー 2本を必ず取り付けてください。

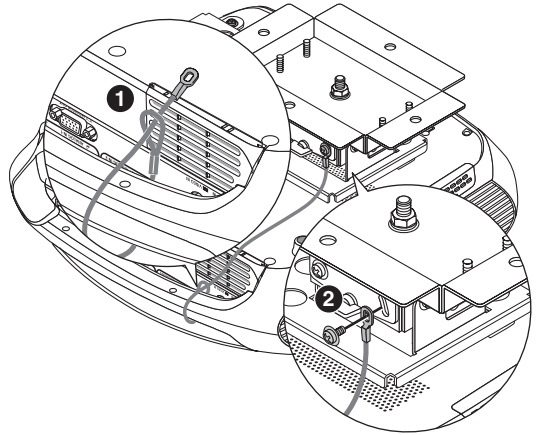
● 1本目のワイヤーの取り付け

【プロジェクター側】

- ① ワイヤーの大きいほうの輪をプロジェクターのキャリングハンドルに通します。

【天吊り金具側】

- ② プロジェクター取り付けアダプターのねじ (M5) をワイヤーの輪に通して取り付けます。



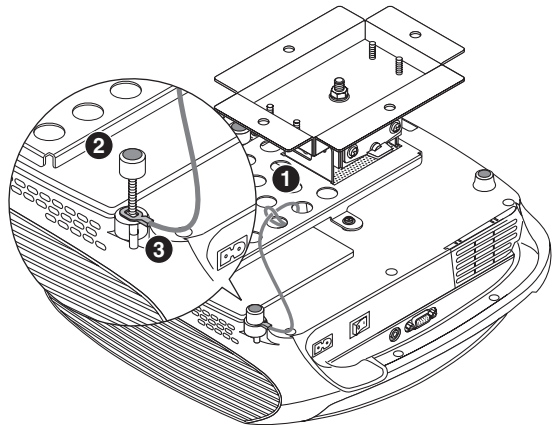
● 2本目のワイヤーの取り付け

【天吊り金具側】

- ① ワイヤーの大きいほうの輪を天吊り金具の穴に通します。

【プロジェクター側】

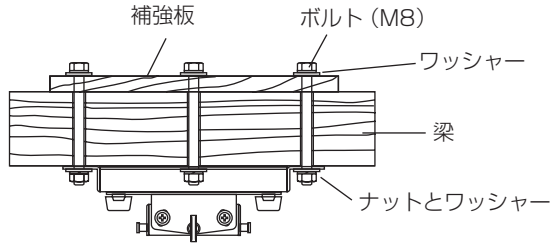
- ② 主電源スイッチに近いほうの後部調整脚を回して、プロジェクターから取り外します。
- ③ 後部調整脚のねじ部分をワイヤーの輪に通し、後部調整脚を回してプロジェクターに取り付けます。



参考

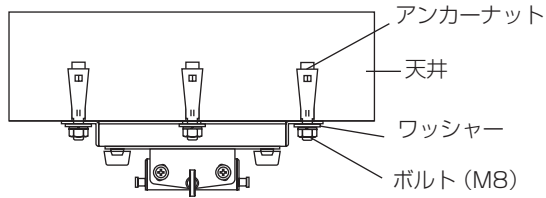
■天井固定部の天井取り付け例

●天井が木造の場合



(補強板、ボルト、ナットおよびワッシャーは市販品をお求めください。)

●天井がコンクリートの場合



(アンカーナット、ボルト、ナットおよびワッシャーは市販品をお求めください。)

投写角度調整のしかた

調整の前に

- プロジェクターの使用説明書をご参照いただき電源を入れ、映像を投写してください。
- オンスクリーンメニューの「反転表示」の項目で、投写方法を選んでください。
- 前面からの投写の場合は「天吊り」、背面から投写する場合は「リア・天吊り」を選びます。
- ズームで投写サイズを仮決めしてから、角度調整を行ってください。

—— 投写角度の調整は、次のような流れで行います。 ——

1. 歪み調整

投写画面が長方形になるよう、左右・上下・傾きの各角度を調整します。この時点では画面がスクリーンからはみ出してもかまいません。

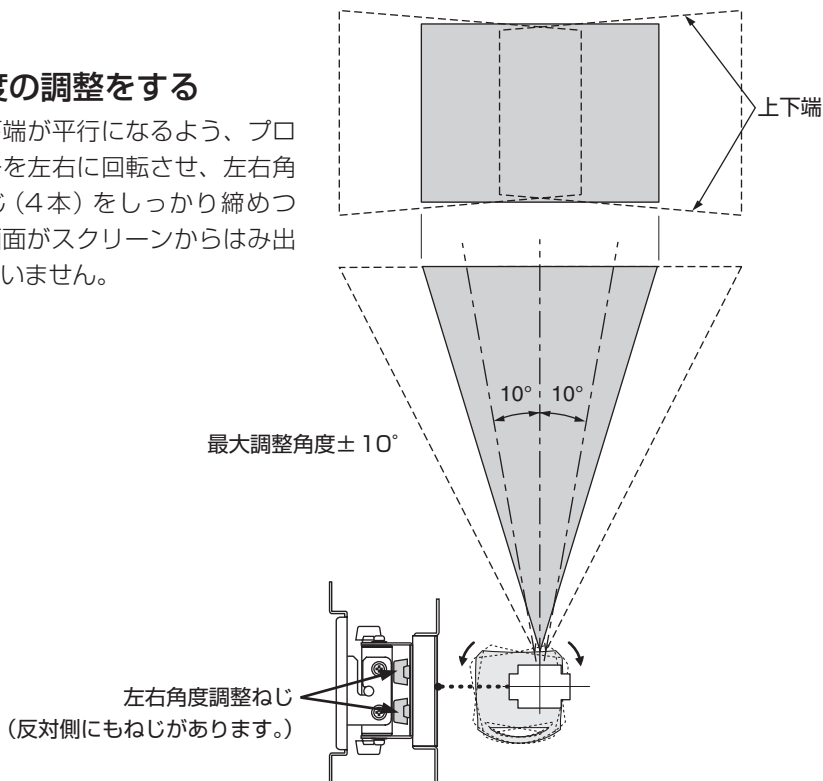
2. 微調整

金具の左右・上下・傾きの各角度を微調整して画面をスクリーンに合わせます。

■ 歪み調整

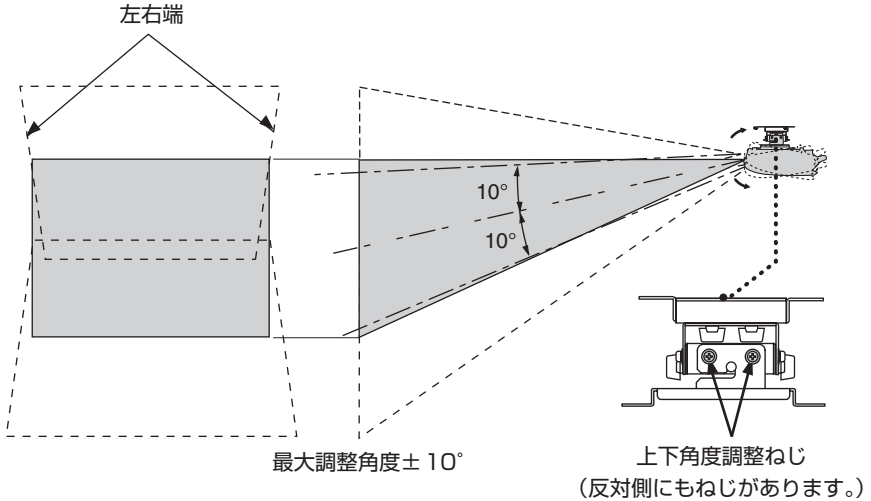
1 左右角度の調整をする

画面の上下端が平行になるよう、プロジェクターを左右に回転させ、左右角度調整ねじ(4本)をしっかり締めつけます。画面がスクリーンからはみ出してもかまいません。



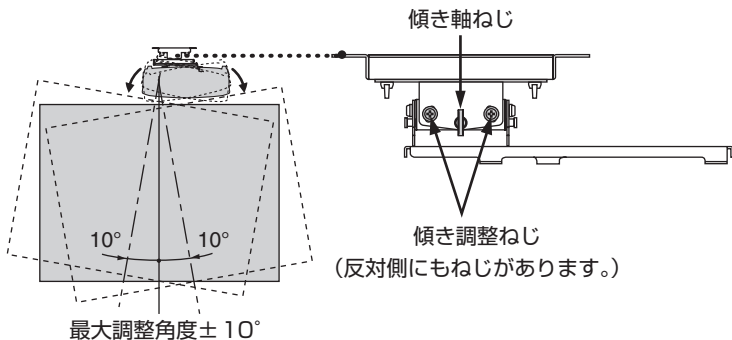
2 上下角度の調整をする

画面の左右端が平行になるよう、プロジェクターを上下に回転させ、上下角度調整ねじ(4本)をしっかり締めつけます。画面がスクリーンからはみ出してもかまいません。



3 傾きの調整をする

映像がスクリーンに対して傾きなく投写されるように合わせ、傾き調整ねじ(4本)をしっかり締めつけます。最後に傾き軸ねじ(2本)がゆるんでいたら締めつけます。



調整が合わないときは再び **1** から調整しなおしてください。

投写角度調整のしかた

■微調整

歪調整の場合と同じねじをゆるめ、画面がスクリーンに収まるように角度を微調整し、すべてのねじ（傾き軸ねじを含む 計14本）を締めつけてください。

調整後は、天吊り金具およびプロジェクター本体がしっかり固定されていることを確認してください。

仕様

品 名： 天吊り金具

形 名： LV-CL15

調整角度： 上下角度±10°

左右角度±10°

傾角度±10°

外形寸法： 327 (W) × 166 (D) × 88 (H) mm (組立時、突起部含まず)

質 量： 約 1.3kg

付 属 品： 天井固定部 1 個
プロジェクター取り付けアダプター 1 個
プロジェクター取り付けねじ (M4) 3 本
上下角度調整ねじ (M5) 4 本
ワイヤー 2 本
使用説明書 (本書) 1 冊

都合により、仕様および外観の一部を予告なく変更することがあります。



Printed on recycled paper.
Gedruckt auf Recyclingpapier

Printed in Japan
Gedruckt in Japan

Free Manuals Download Website

<http://myh66.com>

<http://usermanuals.us>

<http://www.somanuals.com>

<http://www.4manuals.cc>

<http://www.manual-lib.com>

<http://www.404manual.com>

<http://www.luxmanual.com>

<http://aubethermostatmanual.com>

Golf course search by state

<http://golfingnear.com>

Email search by domain

<http://emailbydomain.com>

Auto manuals search

<http://auto.somanuals.com>

TV manuals search

<http://tv.somanuals.com>