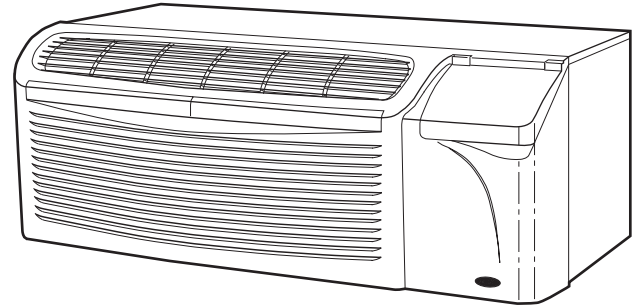


ARCHITECTS AND ENGINEERS' MANUAL

PREMIER SERIES 52P COMFORT SERIES 52C

PACKAGED TERMINAL
AIR CONDITIONERS
AND HEAT PUMPS



CONTENTS

| | Page | | Page |
|---|------|---|-------|
| APPLICATIONS | 3,4 | Seamless Basepan | 11 |
| New Construction | 3 | Condensate Drain Valve | 11 |
| Retrofit/Replacement | 3 | Condensate Removal System | 11 |
| Carrier Warranty | 3 | Heat Pumps Pay Their Own Way | 12 |
| Application Considerations | 4 | Heat Pump Energy Savings | 13 |
| PRODUCT OVERVIEW | 5 | ORDERING DATA | 14 |
| PRODUCT FEATURES AND BENEFITS | 6-13 | Product Catalog Number | 14 |
| Quiet Operation | 6 | FACTORY-INSTALLED OPTIONS | 15 |
| Most Efficient Performance | 6 | FIELD-INSTALLED ACCESSORIES | 16-26 |
| Efficient Fan Motor | 6 | DIMENSION DRAWINGS AND | |
| No-Rust Weather Last™ Wall Sleeve and | | INSTALLATION DATA — NEW | |
| Front Panel | 7 | CONSTRUCTION | 27-33 |
| Removable Front Panel | 7 | PRODUCT DATA | 34-41 |
| Anti-Theft Knobs | 7 | EXPANDED RATINGS DATA | 42,43 |
| Two-Piece Lifetime Indoor Filter | 8 | SOUND DATA | 44 |
| Washable Vent Air Filter | 8 | WIRING DIAGRAMS | 45-50 |
| Bi-Directional Discharge Grille | 8 | 52PQ and 52CQ | 45,46 |
| Power Cord for 265-V Units | 9 | 52PE and 52CE | 47,48 |
| Power Cord Protection for 230/208-V Units | 9 | Energy Management/Front Desk Control | 49 |
| Bi-Molded Condenser Shroud | 9 | Single Thermostat/Multiple PTAC Units | 50 |
| Snow Baffle | 9 | GUIDE SPECIFICATIONS | 51-53 |
| Easy Access to Chassis | 10 | TYPICAL WARRANTY | 54,55 |
| Hidden Controls | 10 | ACCESSORY LIST | 56 |
| Enhanced Copper Tubing | 11 | | |

For more information available on the internet, see the www.carrier.com or www.lodgingAC.com web sites.

Valued Carrier Customer,

Carrier's Architects and Engineer's manual has been specifically developed to make your product and accessory selection easier and faster. This manual will help you customize your application to ensure the greatest comfort for your guests and the highest reliability and lowest costs for you.

Enjoy the ultimate in comfort, humidity control, and energy savings with Carrier's complete line of Packaged Terminal Air Conditioning (PTAC) products. Choose from either the Premier series (52P) which is Carrier's most energy efficient PTAC unit ever, or the Comfort series (52C) for mid-range energy efficiency and outstanding value.

The Premier and Comfort series PTAC lines have many common features and benefits. The 52P and 52C units are both built on the same platform with common components and airflow systems to ensure the highest quality product for your money. The most significant difference between the 52P and 52C products is the refrigerant system. The Premier refrigerant system utilizes Carrier's highest efficiency compressors and coil design to achieve maximum energy efficiency. The Comfort refrigerant system uses our standard efficiency compressors and coils to attain competitive efficiency levels which exceed the industry standard ARI minimum-efficiency levels.

It's your choice. Choose the Premier series and start recovering your investment immediately through energy savings, or choose our Comfort series and enjoy years of economical, trouble-free operation and comfort.

Thank you for choosing Carrier and investing in the highest quality air conditioning and heating system ever.

Best regards,

Lodging Products Group

APPLICATIONS

Whether you are designing a new structure or replacing packaged terminal air conditioning units in an existing building, Carrier will meet your needs.

- Hotels and motels
- Nursing homes and assisted living care centers
- Offices
- Apartments
- Single-family dwellings
- Home conversions and residential add-ons

NEW CONSTRUCTION

The Carrier 52P and 52C Packaged Terminal Air Conditioning (PTAC) unit is designed to meet the needs of the architect, engineer, and contractor. For unit installation, Carrier's expert support network will assist in all applicable aspects of the construction project, from preparing a budget to start-up.

ADVANTAGES FOR NEW CONSTRUCTION

Design Flexibility For The Architect/Engineer

- Super-quiet performance, indoors and out
- No bulky duct system
- No separate equipment room
- No water towers or additional cooling equipment
- No complex match-up of different HVAC components
- Less sensitivity to building orientation (sun, wind, shade)
- Optional architectural grille to permit custom exterior appearance

Initial Cost Savings For The Building Owner

- No expensive component HVAC system purchase
- No equipment room or maintenance engineering staff
- Two-part delivery to minimize on-site damage
- Weather-protected wall sleeve that goes in place during construction; chassis that slides in place after construction
- No seasonal changeover required for cooling or heating — units are self-contained comfort systems

Lower Operating Costs And Reliable Comfort For The Occupant

- Heat pump models offer substantial savings over models with conventional electric resistance heaters
- Individual units allow tenants to choose the degree of comfort and operating economy.
- Rapid servicing reduces downtime: complete chassis can be replaced in minutes without disrupting other occupants.
- Each unit operates independently of other units in the building. No dependency by building on central HVAC system.

RETROFIT/REPLACEMENT

If you are replacing a unit in an existing wall sleeve, your options include:

- Replace the existing wall sleeve with a Carrier Weather Last™ sleeve. See accessory sleeve section for selecting the correct sleeve for your application. Note, in most cases, when replacing the wall sleeve, the exterior grille must also be replaced.
- Use an existing sleeve and exterior grille. The Carrier 52P and 52C series PTAC will fit into most major competitors wall sleeves/grilles, including GE, Amana, Trane, Bryant, Carrier 52S and Carrier 52B, and NO accessory retrofit kit is required. Carrier units will also retrofit into Friedrich T series and ZoneAire wall sleeves, with a required wall sleeve extension (see accessory Friedrich Retrofit Wall Sleeve Adapter).

IMPORTANT: All other sleeve or exterior grille retrofit applications need prior approval from Carrier. Please contact your Carrier representative for assistance.

CARRIER WARRANTY

Carrier's five-year warranty is the most comprehensive in the industry. Carrier provides:

- Full coverage for parts and labor for first year.
- Four additional years of full coverage on sealed refrigeration systems.
- Limited second through fifth year coverage on non-refrigeration system parts.

APPLICATIONS (cont)

APPLICATION CONSIDERATIONS

Installation instructions are shipped with all PTAC units. It is important that air conditioning systems be properly sized and installed for each application in order to achieve the desired temperature and humidity levels within the space to be conditioned. It is strongly recommended that a professional engineer match the PTAC units with the building structure and climate.

The following application considerations are all important in choosing the proper PTAC system for the building structure.

Undersizing

If a PTAC unit is undersized (cooling capacity is less than required capacity for an application), the unit will not be able to cool the space down to the desired temperature during very hot days. The result could be warm and humid or warm and dry conditioned space.

Oversizing

If a PTAC unit is oversized (cooling capacity is greater than required capacity for the specific application), the unit will cool the space down to the desired temperature too quickly.

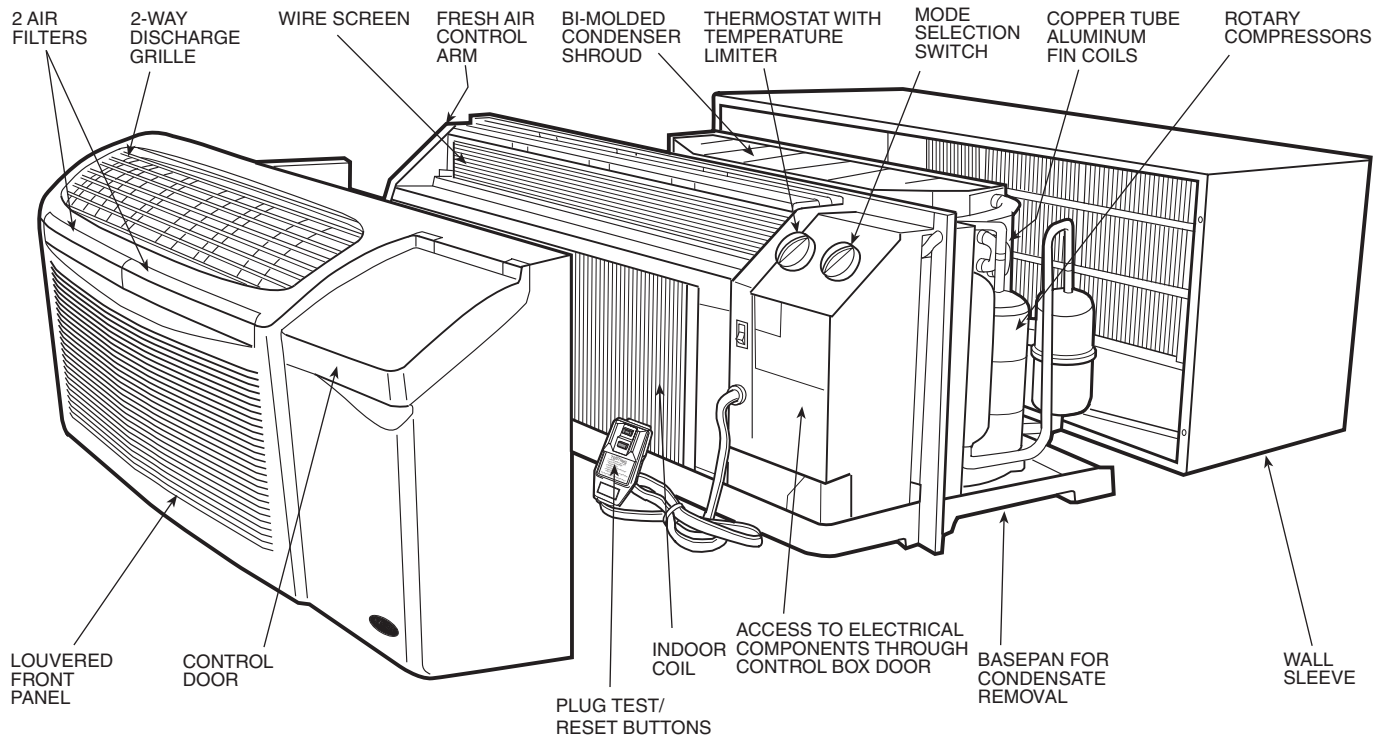
The unit will cycle on and off, however, dehumidification only takes place when the unit is operating. The result of this type of application in a hot and/or humid climate would be a cool, yet excessively humid, space.

Air Infiltration

Excessive air infiltration can intensify problems associated with undersizing or oversizing a PTAC unit. This can be the cause of insufficient cooling, dehumidification, or heating. Sources of air infiltration include vents, gaps around windows and doors, and improperly sealed floors, ceilings or wall joints.

PRODUCT OVERVIEW (52P AND 52C)

This section summarizes product features covered in detail in later sections of this manual:



Polymer, Metal or Extended Wall Sleeve — Designed for rugged duty, acoustic absorption, and attractive appearance for years to come.

Rotary Compressors — Provide quiet, reliable operation.

Copper Tube Aluminum Fin Coils — Enhanced coils provide durability, high performance, and ease of operation.

Fresh Air Control Arm — Allows outdoor air into room through vent filter for improved air quality.

Fan Cycle Switch — Dual options:

- (1) Continuous fan operation.
- (2) Cycle fan ON and OFF with compressor operation.

Thermostat with Temperature Limiter — Provides improved temperature control with a temperature limiter that allows temperature range restraints for the unit by making a simple adjustment.

Anti-Theft Knobs — Provides protection against theft of the thermostat knob and the mode selection knob.

Control Door — Provides protection for controls and enhances appearance.

Easy Access to Electrical Components — Simply remove two screws and drop down the control box door.

Improved Condensate Removal — Minimizes condensate water on outside of building.

New Two-Piece Filter Design — Provides improved air filtration and can be removed easily for cleaning.

Durable Discharge Grille — Made of polycarbonate; holds up under the toughest conditions.

Louvered Front Panel — Made of high impact polystyrene. Provides improved performance and quiet operation.

Mode Selection Switch — Rotary switch allows for easy selection of operating mode.

Bi-Molded Condenser Shroud — The two-piece condenser shroud allows easy access for service and maintenance to the outdoor coil and other components.

Power Cord Protection — Power cord for the 230/208-v unit provides power cord protection.

PRODUCT FEATURES AND BENEFITS (52P AND 52C)

The 52P and 52C models are a single-package, through-the-wall unit for heating and cooling hotel rooms, offices, apartments, condominiums, and residential additions. Features include:

- Improved sound quality for quiet operation
- Exceeds ARI (Air Conditioning and Refrigeration Institute) efficiency requirements with exceptional energy efficiency ratios (EERs)
- Easy access, lifetime filters
- User friendly controls
- Easy to read dials
- Enhanced temperature and humidity control
- Improved condensate removal system
- Multi-room structure design
- Fixed wall sleeve, slide-out chassis
- Attractive, durable cabinet featuring new design
- Chassis that easily retrofits to most major competitors' sleeves without use of retrofit kit
- Low operating costs
- No bulky duct system
- No seasonal changeover

QUIET OPERATION

Occupants and neighbors are protected against noise intrusion. Indoor sound reduction is achieved because of the unit's design and its louvered front cover, indoor scroll and blower, and heavy gage unit partition. Rotary compressors provide quiet, reliable operation. The indoor scroll provides a more uniform air discharge.

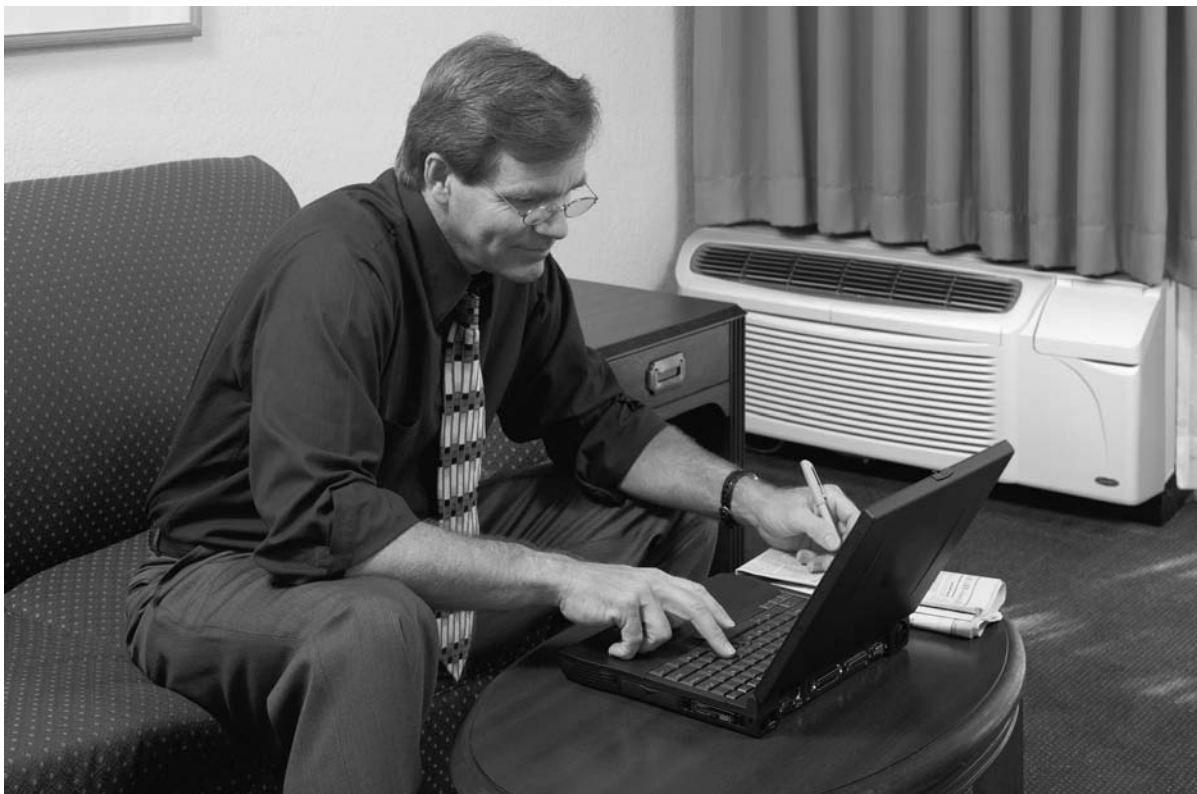
The new aerodynamic split condenser shroud design improves airflow and reduces outdoor noise, providing a more relaxing outdoor environment. The new split design allows for easy access to the outdoor coil to facilitate routine cleaning of the coil. The propeller-type fan design allows for efficient low-speed operation.

MOST EFFICIENT PERFORMANCE

High EERs provide excellent operating economy. The system operates without bulky ductwork, separate equipment room, and complex match-up of different components. Heating and Cooling modes are available without seasonal changeover.

EFFICIENT FAN MOTOR

An efficient, totally enclosed PSC (permanent split capacitor) fan motor provides a choice of high or low speeds for heating and cooling. A fan-only setting provides air circulation. **The fan motor requires no maintenance and no lubrication.**

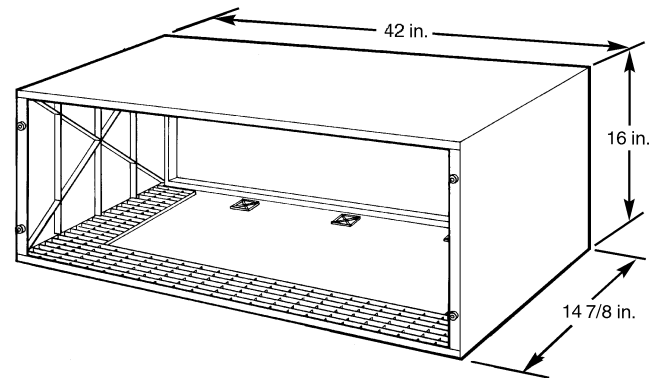


NO-RUST WEATHER LAST™ WALL SLEEVE AND FRONT PANEL

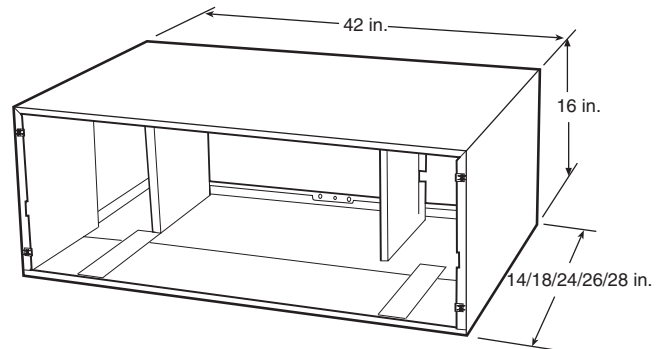
The indoor front panel and polymer wall sleeve use nonmetallic compounds that never rust or corrode, do not support combustion, and do not give off toxic fumes. The weather-resistant feature exceeds requirements of Underwriters' Laboratories and resists damage caused by impact and scratching. The Weather Last feature also insulates and has up to 10 times the acoustic absorption of metal cabinets.

Insulated polymer wall sleeves combine all of the above features with factory-installed insulation. The insulation helps to reduce heat loss, save energy, provide better sound absorption, and reduce the risk of sleeve sweating.

Carrier's metal wall sleeves are available in a variety of sizes for most standard and deep wall applications. All metal wall sleeves come with factory-installed insulation, designed to minimize heat loss and reduce outdoor noise transmissions into the room.



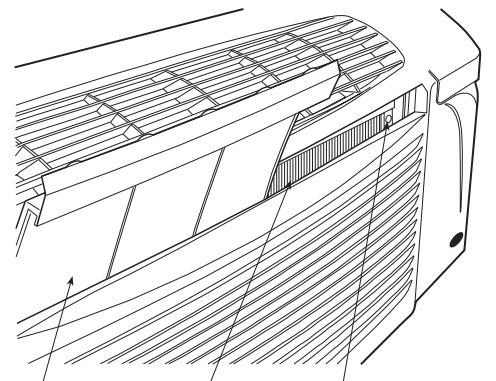
Standard Wall Sleeve (Polymer)



Standard and Deep Wall Sleeve (Metal)

REMOVABLE FRONT PANEL

The louvered front panel fits firmly onto the chassis and features easy removal for service. It provides front air intake to enhance performance and quiet operation. It also allows the option of flush mounting PTAC unit to the floor. **If desired, the front panel can be secured to the unit with field-supplied screws.** The 2 locking screws (if installed) are located behind the removable filter handles.

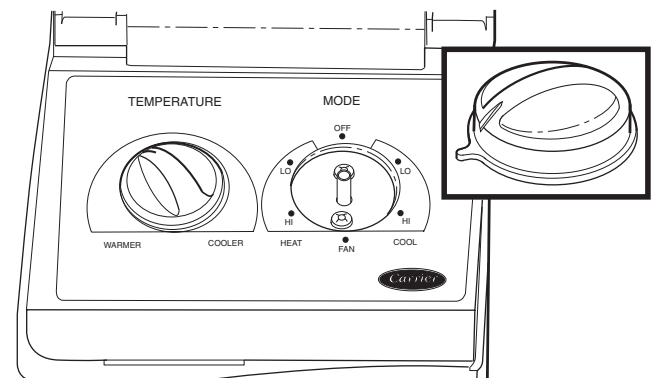


REMOVABLE FILTER
LOCATION OF REMOVED FILTER
LOCKING SCREW (NOTE: 2nd LOCKING SCREW IS LOCATED BEHIND 2nd FILTER)

Removable Front Panel

ANTI-THEFT KNOBS

The anti-theft knobs are captured underneath the front panel of the unit to prevent the knobs from being removed or stolen.

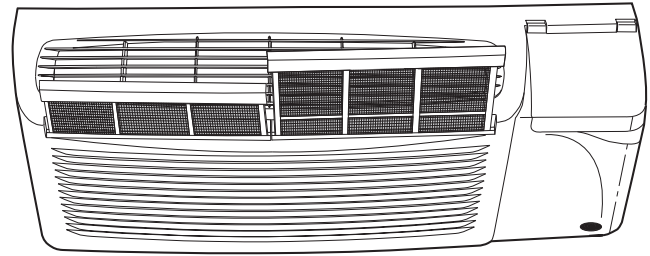


Anti-Theft Knobs

PRODUCT FEATURES AND BENEFITS (cont)

TWO-PIECE LIFETIME INDOOR FILTER

New two-piece removable filters easily slide in and out from the front of the PTAC unit and are interchangeable. The front panel does not need to be removed to access or change the filters. The filters are washable and permanent.



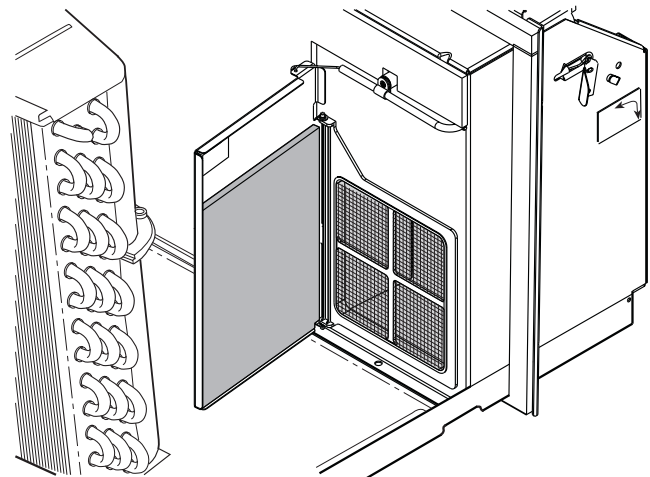
Two-Piece Indoor Filter

WASHABLE VENT AIR FILTER

The unique vent system is activated by a two-position control. Fresh outside air is redirected by the vent door to an inside low-pressure area. A molded plastic filter prevents dirt and debris from entering the room side of the unit. The vent mechanism is made from noncorrosive material ensuring reliable operation. A magnet on the door and high-pressure airflow create a tight, draft-free seal when the vent door is closed.

The vent will provide 50 cfm of fresh air.

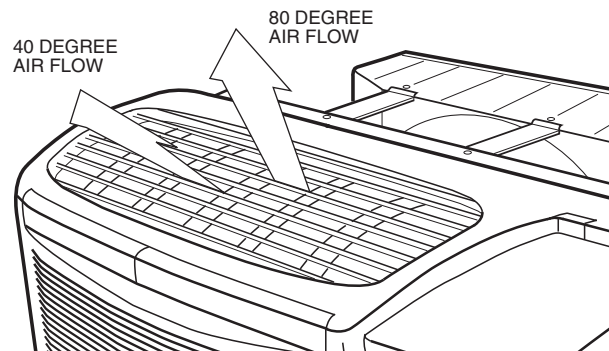
NOTE: If more fresh air cfm is required, a Power-Vent Kit is available (see accessories).



Outdoor Vent Filter Location

BI-DIRECTIONAL DISCHARGE GRILLE

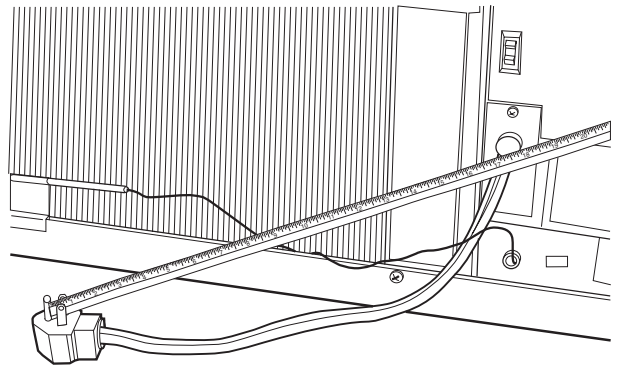
The discharge grille is constructed of durable polycarbonate and is reversible. Air flows upward at a 40 degree angle to the floor but can easily be adjusted to an 80 degree angle to the floor.



Reversible Polycarbonate Discharge Grille

POWER CORD FOR 265-V UNITS

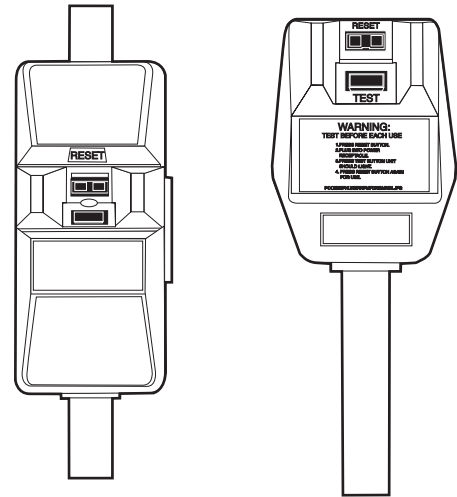
A power cord is included for 265-v units. The power cord is 18 in. long (cord extends 15 in. from bottom of front panel) and per UL and National Electrical codes must plug into an electrical subbase.



265-V Unit with Power Cord

POWER CORD PROTECTION FOR 230/208-V UNITS

The power cord for the 230/208-v unit provides power cord protection by automatically disconnecting power during an unsafe condition. Power can be restored by pressing the RESET button.

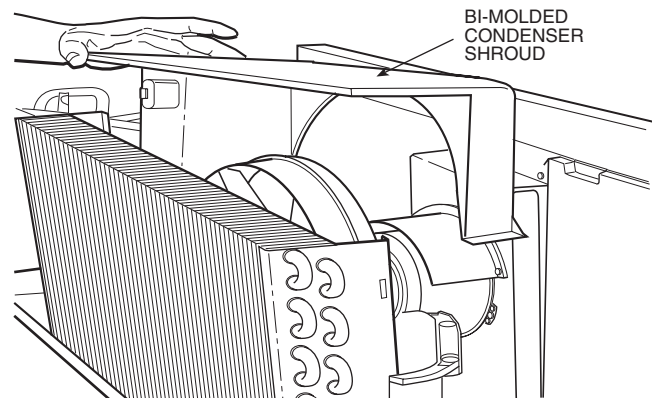


30 Amp In-line Power Cord

15/20 Amp Power Cord Plug Head

BI-MOLDED CONDENSER SHROUD

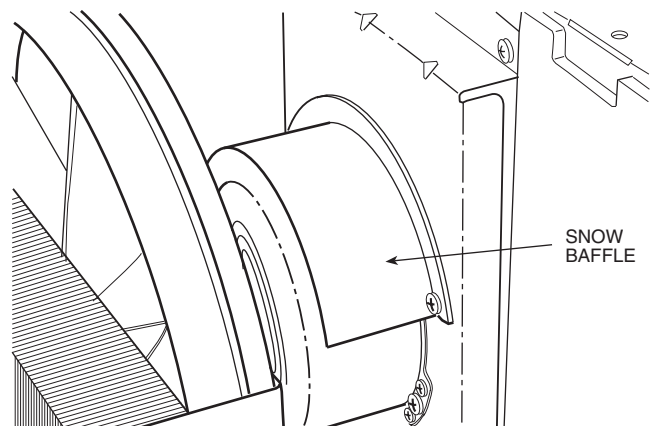
The bi-molded condenser shroud provides easy access for service and maintenance of the condenser coil and related components.



Bi-Molded Condenser Shroud

SNOW BAFFLE

The snow baffle is provided to keep snow from blowing into the intake and landing on the internal components of the PTAC unit. Melted snow can form ice on moving parts and cause damage to the unit.

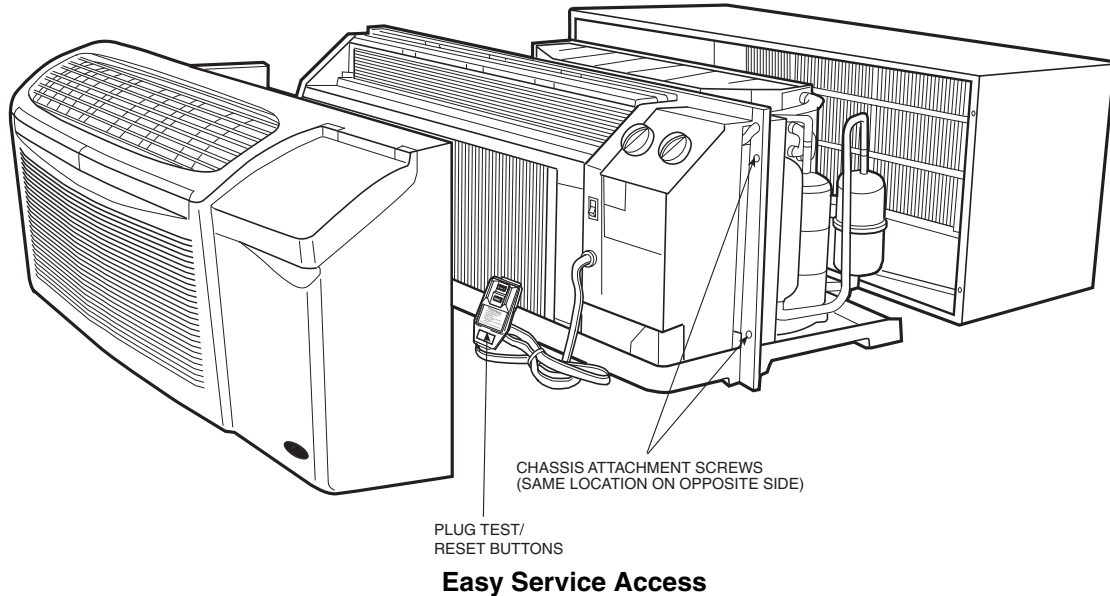


Snow Baffle

PRODUCT FEATURES AND BENEFITS (cont)

EASY ACCESS TO CHASSIS

Access to the chassis simply requires removing four screws and then sliding the chassis out of the sleeve for service.



HIDDEN CONTROLS

The factory-wired control box houses all control components and is quickly accessible without removing the chassis from the wall sleeve. By simply removing two screws on control box, the hinged door lowers, providing quick access to all the electrical components. The wiring diagram is located on the front of the control box door.

Temperature Limiter and Control Knob

The limiter reduces operating costs by allowing the owner to control the range of cooling and heating temperatures available to the occupant. It is located under the front panel on control box, out of the occupant's sight. Each setting on the limiter is equivalent to 5° F and the range of temperature settings available to the owner is from 60 to 90 F. The limiter is not pre-set at the factory (providing full range for the occupant).

Outdoor Air Vent Control

Control of the outdoor-air vent is handled by a vent handle located under the front panel on the left side of the unit. This handle rotates to manually open and close the outdoor vent.

The vent will provide 50 cfm of fresh air.

NOTE: If more fresh air cfm is required, a Power-Vent Kit is available (see accessories).

Fan Cycle Switch

The fan cycle switch allows the fan to operate in 2 modes:

- **Continuous** — This setting allows the fan to run continuously, circulating air even when the temperature setting has been satisfied. This setting, which helps to keep the room temperature closer to the thermostat setting, is used for maximum comfort.
- **Cycle** — This setting allows the fan to cycle on and off with the compressor during heating or cooling. The fan stops when the temperature setting is reached. The longer unit off-time makes this option more energy-efficient with only slightly wider variations in room temperature.

NOTE: On wall thermostat models, the fan cycle/continuous feature is typically located at the wall thermostat.

ENHANCED COPPER TUBING

Enhanced copper tubing is more efficient and durable and can be repaired in the field, if required.

Because copper is a very stable metal, it is durable and resists corrosion. Enhanced copper tubing increases:

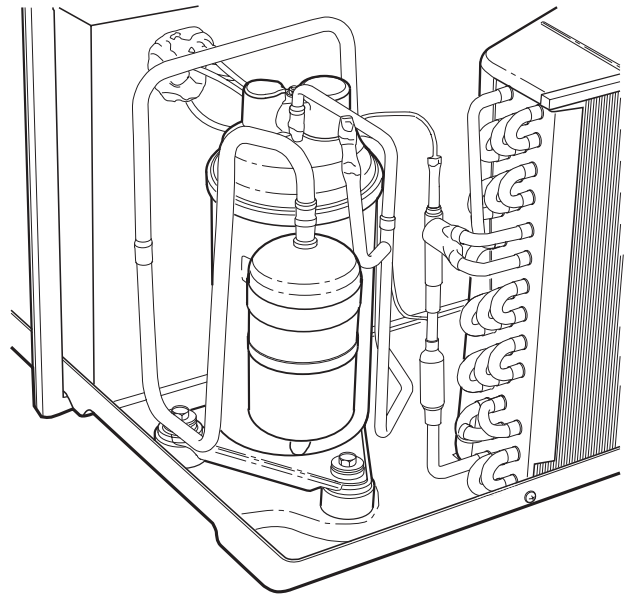
- heat transfer capability
- the efficiency of the cooling and heating processes
- thermal conductivity (by creating additional tube surface and turbulent refrigerant gas flow)

Every Carrier PTAC coil undergoes through leak testing and pressure testing up to 350 lb per square inch.

SEAMLESS BASEPAN

Seamless drawn basepan walls add protection against water accumulation resulting from storm-driven rain with heavy wind.

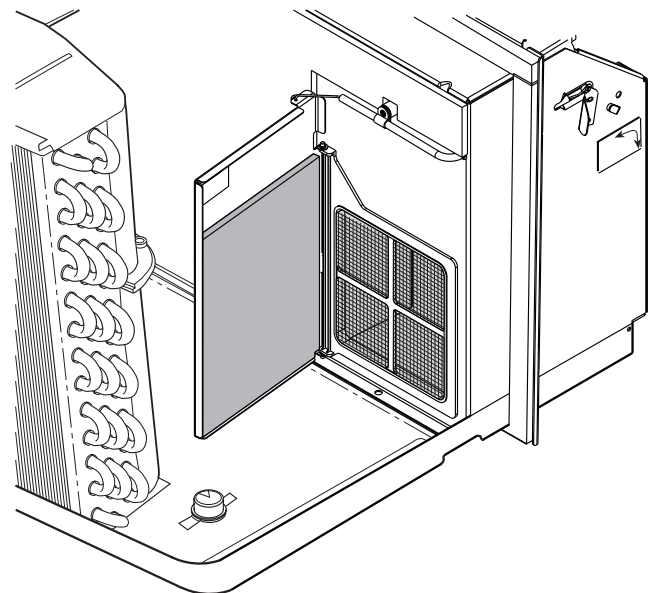
Carrier's deep basepan holds up to 1½ gallons of water without spilling. Closed cell foam insulators are located between the basepan and coils, keeping coils from direct contact with the basepan and providing additional protection against corrosion.



Enhanced Copper Tubing

CONDENSATE DRAIN VALVE

The temperature-activated drain valve opens when the outdoor temperature drops below 45 F to prevent water from freezing in the basepan.

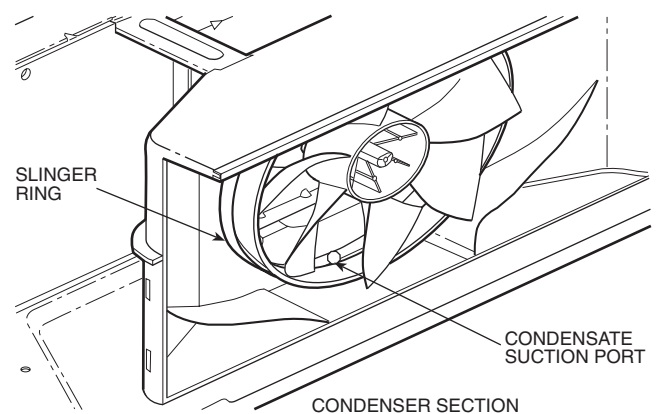


Condensate Drain Valve Prevents Water from Freezing in Basepan

CONDENSATE REMOVAL SYSTEM

Carrier's 52P and 52C Series units have an improved condensate (water) disposal system. In addition to slinger ring technology, Carrier has developed and patented a Condensate Suction Port. The suction port, along with the slinger ring, draws in water which is sprayed up onto the outdoor coil. The water then evaporates, thus providing better disposal of excess condensate, improving unit efficiency.

NOTE: If it is necessary to remove 100% of the condensate, the Carrier Drain Kit (Part No.: DRAIN-KIT-4PK) is recommended.



Condensate Disposal System

PRODUCT FEATURES AND BENEFITS (cont)

HEAT PUMPS PAY THEIR OWN WAY

Heat pump models are available at a nominal additional cost. In many locales, the payback is realized in just a few months. Cost and payback details are provided on the next page.

Special Features

Two-Stage Indoor Thermostat:

The indoor thermostat senses the indoor temperature and automatically turns on the electric heat to warm the room quickly. After the desired temperature conditions have been satisfied, the thermostat automatically switches to heat pump mode. If compressor failure occurs, the thermostat will provide backup electric heat automatically.

Outdoor Thermostat:

During the heating cycle, the outdoor thermostat senses outdoor coil temperature. It switches the unit to electric heat mode when the outdoor coil temperature is 20 F or below (approximately 35 F outdoor-air temperature). The thermostat switches the unit back to heat pump mode when the outdoor coil temperature rises above 40 F, which is enough to provide heat to meet demand. The entire operation is completely automatic.

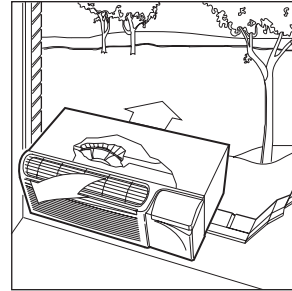
Reversing Valve:

The reversing valve provides quiet refrigerant flow after the unit shuts off. The valve controls the direction of refrigerant flow for both heating and cooling functions and remains energized as long as the controls are in the heat position. When the cooling controls are activated, the valve automatically reverses to the cooling position.

Manual Compressor Override Switch:

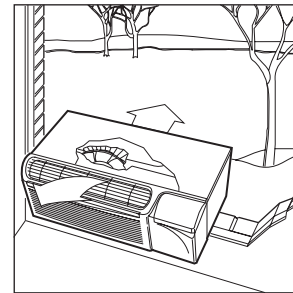
This switch completely locks out the compressor. Note that the compressor and heater do not operate at the same time, thus conserving energy.

How The Heat Pump Works



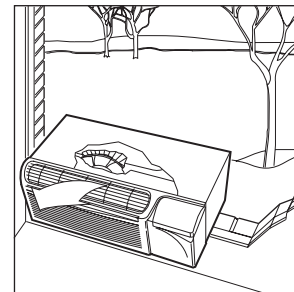
In Hot Weather:

Carrier's PTAC units provide indoor comfort in the same manner as conventional air conditioners, removing heat and humidity from indoor air. The heat and humidity is released to the outdoors. Carrier's high-efficiency design saves energy and reduces cooling costs.



In Cool Weather:

When the outdoor coil temperature is above 20 F (approximately 35 F outdoor-air temperature), the heat pump draws heat from outdoor air and uses it to heat indoor air. Since heat is transferred and not produced, Carrier's heat pump uses less electricity and reduces energy costs significantly.



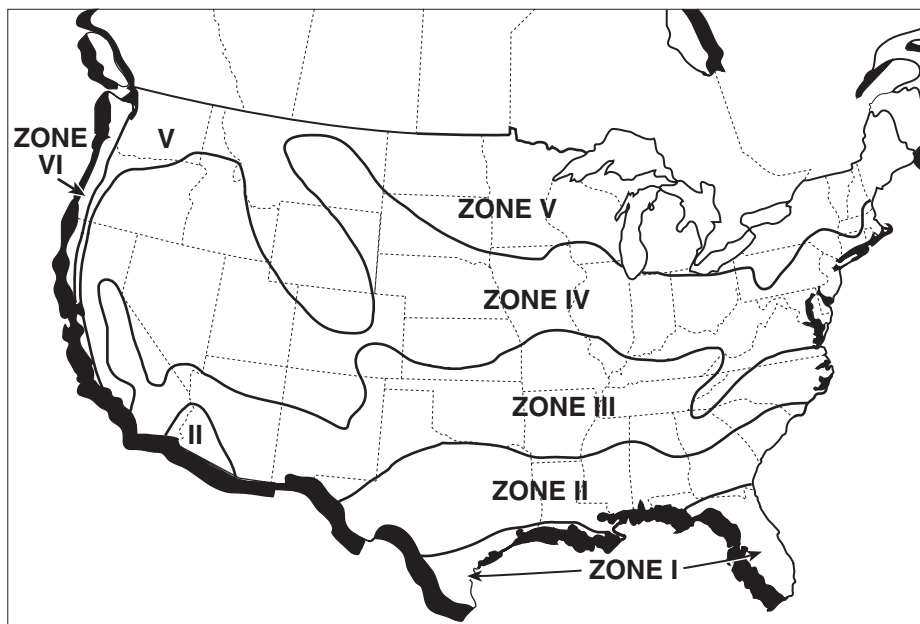
In Sub-Freezing Weather:

When the outdoor coil temperature falls below 20 F (approximately 35 F outdoor-air temperature), the unit automatically switches on a built-in electric heater. The compressor stops and a blower circulates warm air produced by the heater. When the outdoor coil temperature rises above 40 F, heat pump operation resumes automatically.

HEAT PUMP ENERGY SAVINGS

Heat pumps save more on operating costs during the heating cycle than heat/cool models. The table below shows that the higher initial cost of purchasing a heat pump is quickly made up in lower operating costs.

Use the map to identify the climate zone's designated number. Reading down the left-hand column of the table, select the cost/kWh rate in this zone that most closely approximates your local rate. The approximated savings and payback period is found at the intersection of your zone/rate line and the desired Btuh Cooling Capacity column. Exact savings are determined by lifestyle, local electrical rates, and climatic conditions.



CARRIER HEAT PUMP INITIAL COST VERSUS SAVINGS OVER HEAT/COOL MODELS

| ZONE | ELECTRIC COST/kWH | 7000 BTUH ¹ COOLING CAPACITY | \$60 PREMIUM | 9000 BTUH ² COOLING CAPACITY | \$75 PREMIUM | 12000 BTUH ² COOLING CAPACITY | \$90 PREMIUM | 15000 BTUH ³ COOLING CAPACITY | \$110 PREMIUM |
|------|-------------------|---|-------------------|---|-------------------|--|-------------------|--|-------------------|
| | | Annual Savings* | Payback in Months | Annual Savings* | Payback in Months | Annual Savings* | Payback in Months | Annual Savings* | Payback in Months |
| I | \$.06 | \$ 34.26 | 21 | \$ 43.08 | 21 | \$ 58.20 | 19 | \$ 68.34 | 19 |
| | \$.08 | \$ 45.68 | 16 | \$ 57.44 | 16 | \$ 77.60 | 14 | \$ 91.12 | 14 |
| | \$.10 | \$ 57.10 | 13 | \$ 71.80 | 13 | \$ 97.00 | 11 | \$113.90 | 12 |
| II | \$.06 | \$ 57.12 | 13 | \$ 71.76 | 13 | \$ 96.96 | 11 | \$113.64 | 12 |
| | \$.08 | \$ 76.16 | 9 | \$ 95.68 | 9 | \$129.28 | 8 | \$151.52 | 9 |
| | \$.10 | \$ 95.20 | 8 | \$119.60 | 8 | \$161.60 | 7 | \$189.40 | 7 |
| III | \$.06 | \$ 58.02 | 12 | \$ 72.84 | 12 | \$ 98.40 | 11 | \$115.38 | 11 |
| | \$.08 | \$ 77.36 | 9 | \$ 97.12 | 9 | \$131.20 | 8 | \$153.84 | 9 |
| | \$.10 | \$ 96.70 | 7 | \$121.40 | 7 | \$164.00 | 7 | \$192.30 | 7 |
| IV | \$.06 | \$ 82.02 | 9 | \$103.02 | 9 | \$139.14 | 8 | \$163.14 | 8 |
| | \$.08 | \$109.36 | 7 | \$137.36 | 7 | \$185.52 | 6 | \$217.52 | 6 |
| | \$.10 | \$136.70 | 5 | \$171.70 | 5 | \$231.90 | 5 | \$271.90 | 5 |
| | \$.12 | \$164.04 | 4 | \$206.04 | 4 | \$278.28 | 4 | \$326.28 | 4 |
| | \$.14 | \$191.38 | 4 | \$240.38 | 4 | \$324.66 | 3 | \$380.66 | 3 |
| V | \$.06 | \$ 57.36 | 13 | \$ 71.94 | 13 | \$ 97.26 | 11 | \$113.94 | 12 |
| | \$.08 | \$ 76.48 | 9 | \$ 95.92 | 9 | \$129.68 | 8 | \$151.92 | 9 |
| | \$.10 | \$ 95.60 | 8 | \$119.90 | 8 | \$162.10 | 7 | \$189.90 | 7 |
| VI | \$.12 | \$114.72 | 6 | \$143.88 | 6 | \$194.52 | 6 | \$227.88 | 6 |
| | \$.14 | \$133.84 | 5 | \$167.86 | 5 | \$272.33 | 4 | \$265.86 | 5 |
| VI | \$.06 | \$ 93.72 | 8 | \$117.66 | 8 | \$159.00 | 7 | \$186.48 | 7 |
| | \$.08 | \$124.96 | 6 | \$156.88 | 6 | \$212.00 | 5 | \$248.64 | 5 |
| | \$.10 | \$156.20 | 5 | \$196.10 | 5 | \$265.00 | 4 | \$310.80 | 4 |
| | \$.12 | \$187.44 | 4 | \$235.32 | 4 | \$318.00 | 3 | \$372.96 | 4 |

LEGEND

kWH — Kilowatt Hour

*Computer projections based on full cooling load at 95° F. Savings projected for 230 v ratings.

¹Heating load is 5,000 Btuh at winter design point temperature.

²Heating load is 10,000 Btuh at winter design point temperature.

³Heating load is 15,000 Btuh at winter design point temperature.

For precise energy savings in your geographical location, go to www.lodgingAC.com to use Carrier's energy calculator.

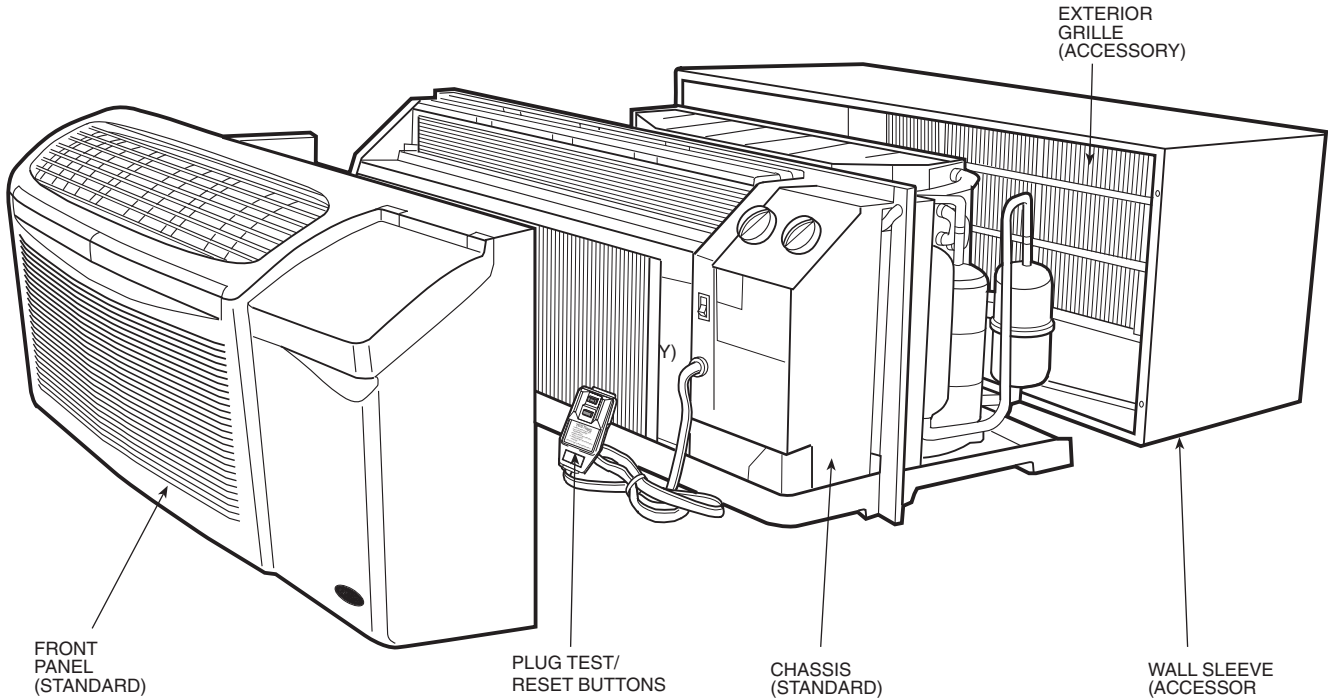
ORDERING DATA (52P AND 52C)

For immediate assistance, call 1-800-827-7435 or contact your local Carrier dealer.

Standard Unit

- Chassis with front panel
- Electro-mechanical controls
- Cord-connected chassis for 230/208-v and 265-v units

Lead-time: Many models are in stock for immediate delivery; call for lead-times.



Standard 52P or 52C Unit

PRODUCT CATALOG NUMBER

52 PE - 3 12 --- 3 -- AA

Series Designation
PTAC (Packaged Terminal Air Conditioner)

Premier Series
PC - Cooling Only
PE - Cooling with Electric Heat
PQ - Heat Pump

Comfort Series
CE - Cooling with Electric Heat
CQ - Heat Pump

Electric Heater Size
0 - No Heater (Cooling Only Units)
2 - 2.3 kW
3 - 3.4 kW
5 - 5.0 kW

Cooling Capacity (nominal)
07 - 7,000 Btuh
09 - 9,000 Btuh
12 - 12,000 Btuh
15 - 15,000 Btuh

Chassis Options
AA - Standard
CP - Corrosion Protection
RC - Wall Thermostat Control (Not available on cooling only units)
RP - Wall Thermostat Control with Corrosion Protection (Not available on cooling only units)

Electrical Data
3 - 230/208-v, 60 Hz
4 - 265-v, 60 Hz

FACTORY-INSTALLED OPTIONS (52P AND 52C)

WALL THERMOSTAT CONTROL (RC,RP)

Carrier's wall thermostat control option includes:

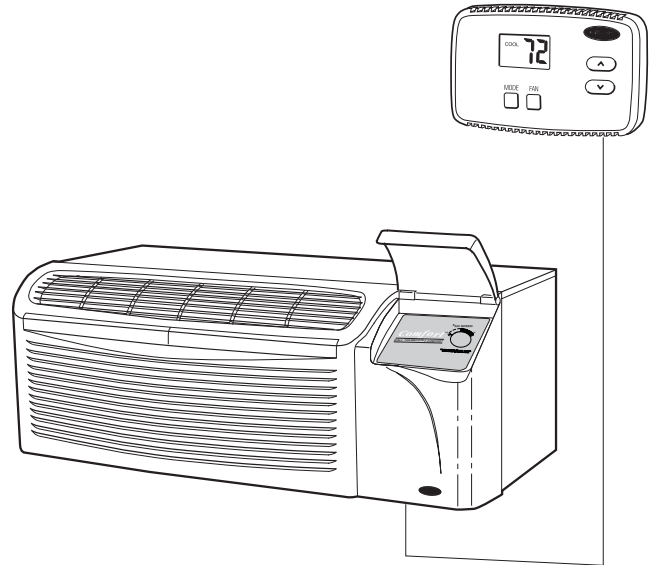
- a standard chassis with front panel
- factory-installed low voltage controls for remote thermostat operation
- indoor coil freeze protection
- user accessible selector switch for high or low fan speed

Wall thermostat and wall thermostat wire must be ordered separately.

See page 50 for a diagram of multiple PTAC units controlled by a single thermostat.

NOTE: Be sure to connect reversing valve wiring to the O connection of the thermostat for heat pump applications.

NOTE: Do not use a power stealing digital thermostat (common must be connected for digital thermostats).



CORROSION PROTECTION (CP,RP)

To protect against the corrosive effects of a seacoast environment, this option includes:

- a standard chassis with front panel
- special protections consisting of:
 - painted control box and unit partitions
 - pre-coated aluminum coils with copper tubing
 - stainless steel tube sheets (outdoor coil)
 - totally enclosed fan motor with moisture-resistant windings

NOTE: All installations within one mile of the sea coast or other corrosive environment must use Corrosion Protection (CP).



FIELD-INSTALLED ACCESSORIES (52P AND 52C)

WALL SLEEVES

Weather Last™ Wall Sleeve

For the best performance and longest life, Carrier recommends genuine Carrier wall sleeves for all installations.

All Carrier wall sleeves are built with a pitch of 1/4 in. per foot; for self-pitching of the unit, the wall sleeve must be installed level (any error should be pitched to the outside). Overflow slots on the outside of the sleeve are in place to divert excess water during severe weather.

Important Sleeve Installation Considerations:

- All Carrier's sleeves are self pitching and must be mounted level in all directions. (Do not use rails to level sleeve.)
- The sleeve should be caulked on all sides, including both inside and outside the building.
- If more than 4 in. of wall sleeve projects into the room, an accessory subbase must be used for support.
- For all applications with an accessory subbase, wall sleeve must extend 3¹/₄ in. minimum into room and must be 3¹/₄ in. minimum to 5¹/₂ in. maximum above floor (including carpeting) to allow for proper fit of subbase.
- For applications where the wall sleeve is mounted flush to the exterior of the building (or recessed in), Carrier recommends a field-supplied drip edge be installed to prevent water infiltration into the building.
- Insulated wall sleeves should be considered for superior sound absorption, to reduce heat loss and to prevent sleeve sweating, a condition that can occur when the outside temperature is cold and the indoor conditions are warm and humid.

Polymer Wall Sleeves

Choose a polymer wall sleeve for maximum protection and appearance.

All Carrier's polymer wall sleeves are made from a molded polymer that is designed for strength and durability. This material has excellent corrosion resistance and a flammability rating of UL94-5V.

The sleeve surface is textured to prevent shine and hide scratches. The rib configuration on the sleeve bottom, allows easy chassis removal and aids in drainage. The locating holes in the side and top panels, allow easy fastening of the sleeve to wall openings. Refer to dimension drawings (pages 28 and 29) for typical wall installation and dimensions.

The sleeve's alpine mist color (a shade of beige) closely matches the front panel and blends in well with any inside or outside decor.

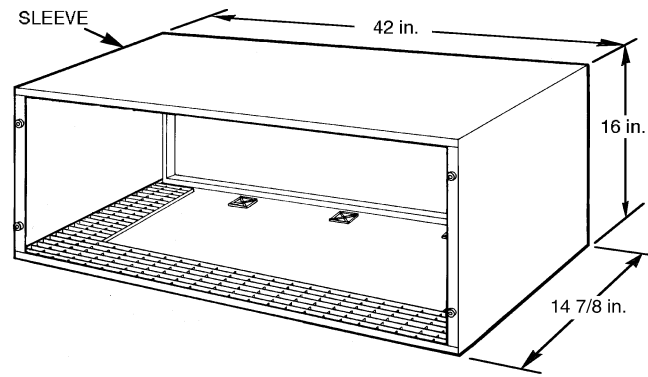
The polymer wall sleeve comes in both insulated (factory installed) or non-insulated, to meet the requirements of every application.

Insulated Polymer Wall Sleeve

Part No.: SLEEVE-INSUL-1PK

Carrier's accessory insulated polymer wall sleeve, with factory-installed insulation, provides superior sound absorption, reduces heat loss and prevents sleeve sweating, a condition that can occur when the outside temperature is cold and the indoor conditions are warm and humid.

IMPORTANT: Insulated Polymer Wall sleeve provides superior sound absorption, reduces heat loss and prevents sleeve sweating.



Corrosion-Protected Polymer Sleeve

Non-Insulated Polymer Wall Sleeve

Part No.: WALL-SLEEVE-1PK

Part No.: WALL-SLEEVE-9PK

Carrier's accessory non-insulated polymer wall sleeve, provides a superior appearance and protection for many applications.

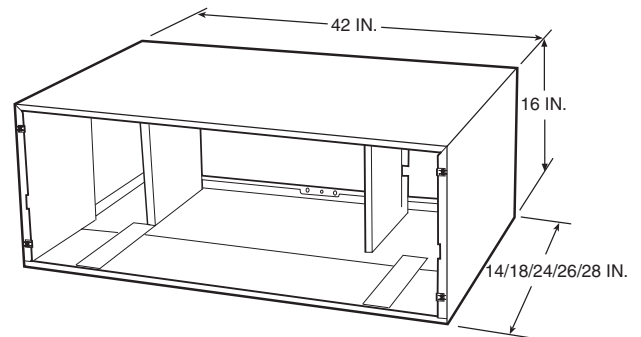
⚠ CAUTION

For applications where weather conditions could influence sleeve sweating, a condition that can occur when the outside temperature is cold and the indoor conditions are warm and humid, the Insulated Polymer Wall sleeve should be considered.

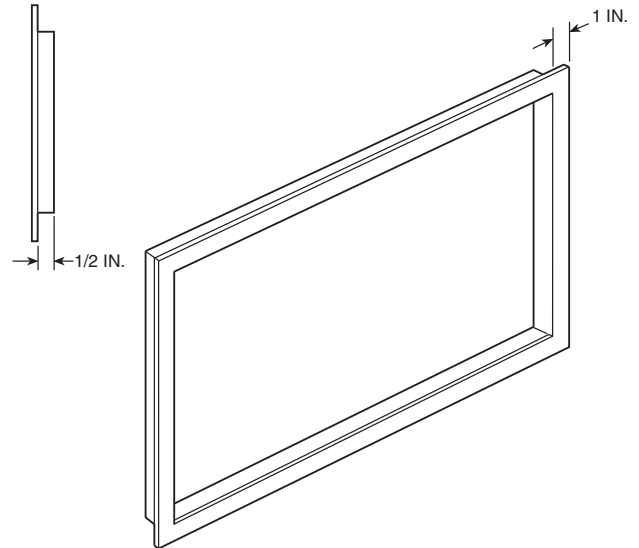
Insulated Metal Wall Sleeves

Part No.: SLEEVE-STEEL-1PK
Part No.: SLEEVE-EXT18-1PK
Part No.: SLEEVE-EXT24-1PK
Part No.: SLEEVE-EXT26-1PK
Part No.: SLEEVE-EXT28-1PK

Carrier's metal wall sleeves are available in a variety of sizes for most applications and difficult installations. Choose from 14 in., 18 in., 24 in., 26 in., or 28 in. standard depth sizes. All metal wall sleeves come with factory-installed insulation, designed to minimize heat loss, reduce outdoor noise transmissions into the room and prevent sleeve sweating. In addition, the metal wall sleeve provides a flammability rating higher than UL94-5V.



Standard and Extended Metal Wall Sleeve

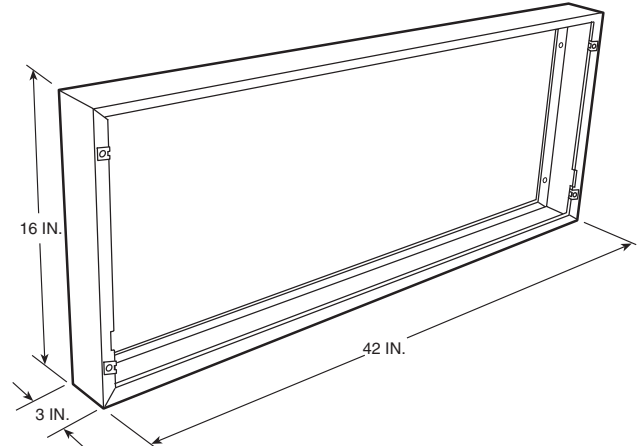


Wall Sleeve Molding Kit

Friedrich (and ZoneAire) Retrofit Wall Sleeve Adapter

Part No.: FR-SLEEVE-EXT

The Friedrich (and ZoneAire) wall sleeve adapter is constructed of sheet metal and is designed to increase the depth of an existing Friedrich T-series or ZoneAire wall sleeve to accommodate Carrier's industry standard PTAC units.

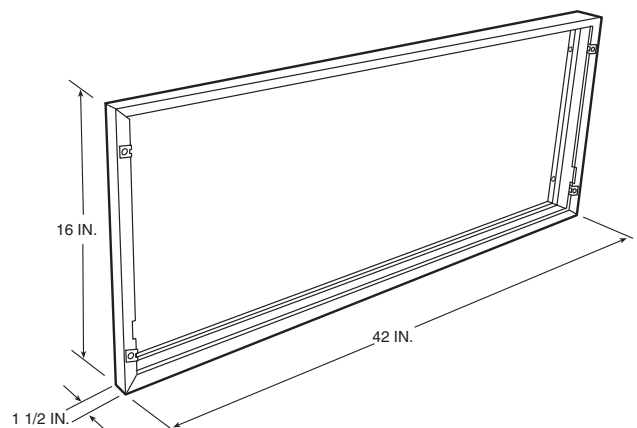


Friedrich Wall Sleeve Adapter Kit

Climate Master Wall Sleeve Adapter

Part No.: CM-SLEEVE-EXT

The Climate Master wall sleeve adapter is constructed of sheet metal and is designed to increase the depth of an existing Climate Master 12 $\frac{1}{2}$ in. wall sleeve to accommodate Carrier's industry standard PTAC units.



Climate Master Wall Sleeve Adapter Kit

FIELD-INSTALLED ACCESSORIES

(52P AND 52C) (cont)

OUTDOOR GRILLES

Carrier recommends only the use of Carrier-supplied grilles for use on the 52P and 52C series units. However, the architectural designs of a building may dictate the use of special or oversized grilles and/or louvers. Special louvers or any special architectural treatment of the building façade that may restrict free circulation of condenser airflow should be referred to Carrier Corporation for evaluation and approval.

Aluminum Architectural Outdoor Grilles (Louvered)

Part No.: GRILLE-ALU-CLEAR (anodized aluminum)

Part No.: GRILLE-ALU-WHITE

Part No.: GRILLE-ALU-BEIGE

Part No.: GRILLE-ALU-ALPIN (color matches Carrier wall sleeve)

Part No.: GRILLE-ALU-BRONZ

Part No.: GRILLE-ALU-MBRNZ

Part No.: GRILLE-ALU-BROWN

Part No.: GRILLE-ALU-LGREY

Part No.: GRILLE-ALU-SGREY

Part No.: GRILLE-ALU-PEACH

Part No.: GRILLE-ALU-MELON

Part No.: GRILLE-ALU-RDBRK

Part No.: GRILLE-ALU-BLUE

Part No.: GRILLE-ALU-GREEN

This premium line of decorative outdoor grilles will enhance the appearance of any building. The grilles are made of strong, durable, extruded, anodized aluminum and are designed to be mounted easily from inside the room. These elegant grilles, available in many standard colors, have baked enamel finishes containing 50% kynar resin, for a superior finish that will withstand the most extreme conditions. See inside of back cover for standard colors and color samples. For more information on custom colors and sizes, contact Reliable Products at 1-800-239-4621.

Standard Outdoor Aluminum Grille

Part No.: GRILLE-ALU-STAMP

This cost-effective, one-piece standard grille is made from durable anodized aluminum. The grille is lightweight, has a clear finish, and is easy to install from inside the room.

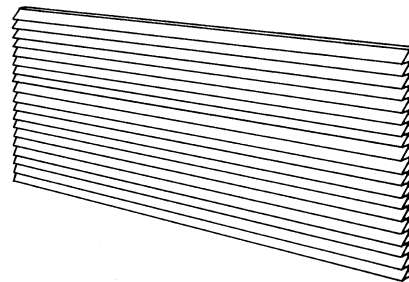
Polymeric Architectural Outdoor Grilles (Louvered)

Part No.: GRILLE-PLA-BROWN

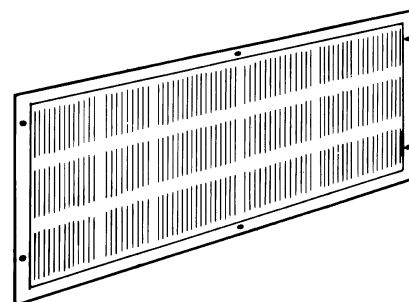
Part No.: GRILLE-PLA-BEIGE

Part No.: GRILLE-PLA-ALPIN (color matches Carrier wall sleeve)

This value line of polymeric architectural outdoor grilles will blend attractively with most building exteriors. Mounted easily from inside the room, the one-piece, molded grille is designed for protection, enhanced appearance, and superior weather-resistance. The grille is made of durable polymer and has a color-fast, lightly textured finish that blends well with most exterior finishes.



Architectural Grille in Aluminum or Polymeric



Standard Grille

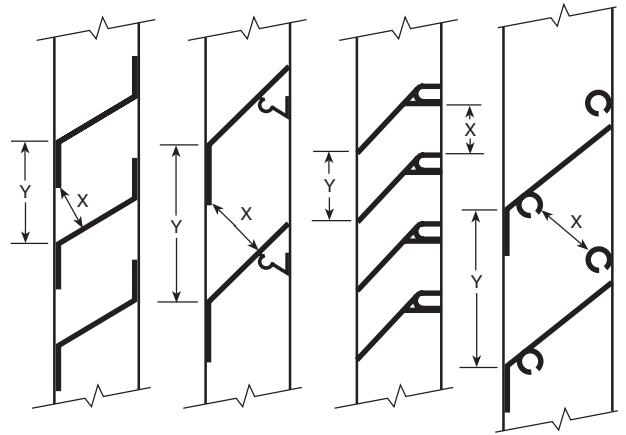
Outdoor Grille Selection

IMPORTANT: If you wish to use a grille not made by Carrier for your Carrier unit(s), contact the Carrier Application Engineering Group at 1-800-894-6449.

The following guidelines must be followed in the initial selection of any alternate exterior grille or louver:

1. The louver must have a minimum of 65% free area. Free area is the minimum area of the opening in an air inlet or outlet in which air can pass. Free Area (%) = X/Y.
2. The louver should be attached to the wall sleeve in a manner that will prevent recirculation of condenser discharge air into the inlet. In most applications, baffles, splitters, and/or gasket will be required between the chassis tube end sheets and the louver to prevent air recirculation.

The above criteria must be followed, since a louver that is restrictive or allows recirculation will result in a reduction of the unit's capacity and efficiency and will ultimately shorten the compressor life.



Louver Dimensional Reference

Sample Calculations

$$\text{Free Area (\%)} = \frac{x}{y} \times 100$$

$$x = 1''$$

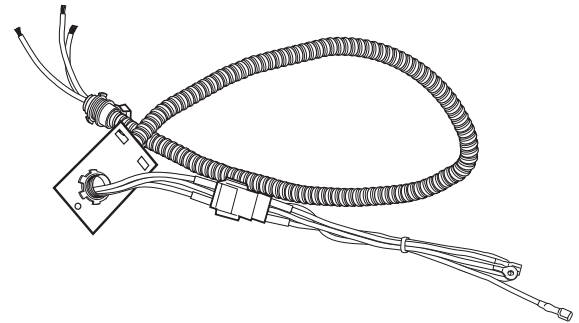
$$y = 1.5''$$

$$\text{F.A. (\%)} = \frac{1}{1.5} \times 100 = 66.7\%$$

Hardwire Kit

Part No.: HARDWIRE-KIT-1PK

This accessory hardwire kit provides a permanent connection to the unit. Electrical hard wiring is required when NEC (National Electrical Code) or local codes restrict the use of power cord and plug connections. The hardwire kit mounts on the front right side of the unit and comes with 36 inches of flexible steel conduit and a Molex connector for easy connect/disconnect.

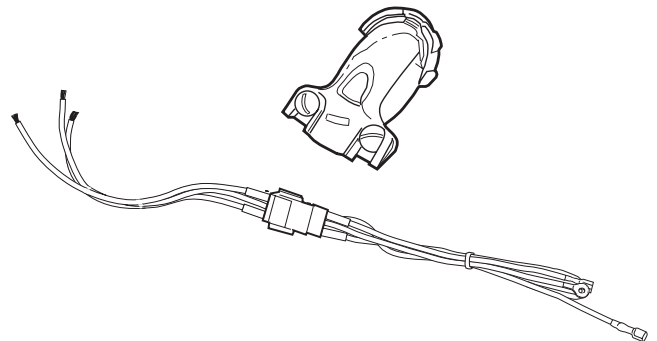


Hardwire Kit

Conduit Interface Kit

Part No.: CONDUIT-INTF-4PK

The conduit interface accessory kit provides the wire connection to the unit to interface to field-supplied conduit.



Conduit Interface Kit

FIELD-INSTALLED ACCESSORIES

(52P AND 52C) (cont)

SUBBASE

Part No.: SUBBASE-NON-ELEC

Part No.: SUBBASE-230V-15A

Part No.: SUBBASE-230V-20A

Part No.: SUBBASE-230V-30A

Part No.: SUBBASE-265V-15A

Part No.: SUBBASE-265V-20A

Part No.: SUBBASE-265V-30A

Part No.: SUBBASE-HARDWIRE

Part No.: LEVELING-LEGS

This decorative subbase supports the unit and is available in three basic models: non-electrical, electrical, and hardwired.

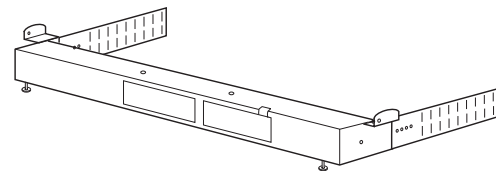
A subbase (or leveling legs) is required for installations where the wall sleeve extends 4 or more inches into the room or the wall is less than 2 in. thick. The minimum clearance between the bottom of the sleeve and the floor is $3\frac{1}{4}$ in., and the maximum clearance is $5\frac{1}{2}$ inches.

IMPORTANT: All standard cord-connected 265-v PTAC units will require a field-installed electrical subbase accessory per UL and NEC electrical codes.

All subbase models are pre-assembled, mount to the wall sleeve, and come with adjustable legs and side skirting to provide a finished appearance.

Non-electrical subbase

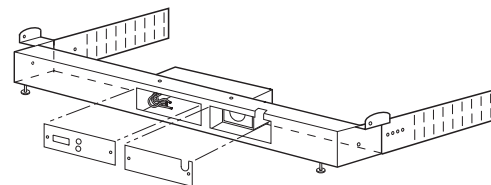
The easy to install, non-electrical subbase provides mechanical support and requires no wiring.



Non-Electrical Subbase Assembly

Electrical subbase

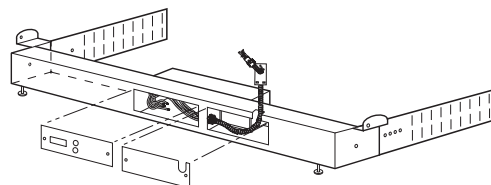
The electrical subbase has a factory-installed electrical junction box containing a receptacle for corded packaged terminal air conditioner (PTAC) units. The electrical subbase series offers models from 230-v, 15 amp up to 265-v, 30 amp. Knockouts are provided for power source connections.



Electrical Subbase Assembly

Hardwired subbase

The hardwired electrical subbase has a factory-installed junction box containing 19 in. of flexible conduit (for a perfect fit to the PTAC unit) and all mating connections for easy assembly to PTAC units. Knockouts are provided for power source connections.

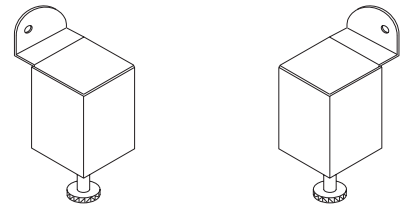


Hardwired Subbase Assembly

Leveling legs

Part No.: LEVELING-LEGS

Leveling legs attach easily to Carrier's wall sleeve and offer accurate leveling and support for units without a subbase. Leveling legs are adjustable from 3¹/₄ in. to 5¹/₂ in.



Leveling-Legs

Subbase Fuse Kit

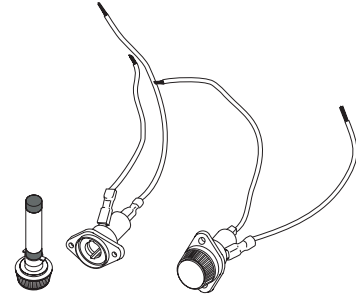
Part No.: SUBBASE-FUSE-15A

Part No.: SUBBASE-FUSE-20A

Part No.: SUBBASE-FUSE-30A

The fuse kit provides in-line overcurrent protection at the unit when required by NEC (National Electric Code) or local codes.

IMPORTANT: The Fuse Kit can only be used with the electrical or hardwired subbase.



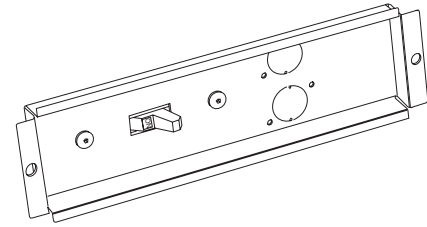
Subbase Fuse Kit

Subbase Power Disconnect Switch

Part No.: SUBBASE-SWITCH

The subbase power disconnect 2-pole switch provides a recessed power disconnect for the PTAC unit when required by NEC or local codes.

IMPORTANT: This accessory can only be used with the electrical or hardwired subbase.



Power Disconnect Switch Assembly

FIELD-INSTALLED ACCESSORIES

(52P AND 52C) (cont)

THERMOSTATS

Carrier's full line of wall thermostats are designed to enhance every PTAC application. Wall thermostats are simple and easy to use. Wall thermostats provide better temperature and humidity control as they can be placed in an optimal position in the room.

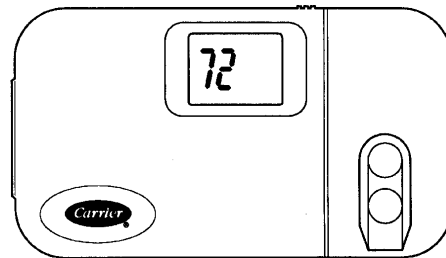
NOTE: See page 50 for a wiring diagram of multiple PTAC units controlled by one thermostat.

Digital Programmable Thermostat

Part No.: TSTATCCPAC01-B (for heat/cool models)

Part No.: TSTATCCPHP01-B (for heat pump models)

This microcomputer-controlled, 7-day programmable wall thermostat has enhanced features that provide automatic control for both heat pumps and heating/cooling units. It is used only on wall thermostat control (RC,RP) models.



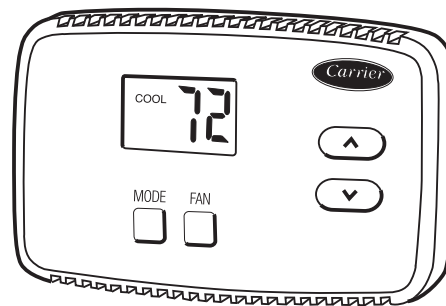
Programmable Thermostat

Non-Programmable Thermostat

Part No.: TSTATCCBPC01-B (for heat/cool models)

Part No.: TSTATCCBPH01-B (for heat pump models)

This low-voltage, easy-to-use non-programmable thermostat provides maximum guest comfort. This thermostat can only be used on wall thermostat control (RC,RP) models.

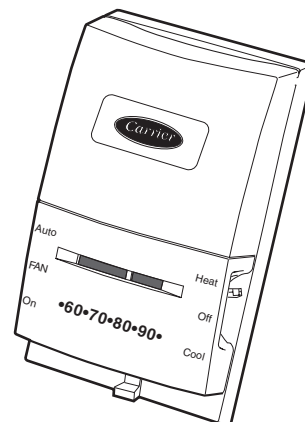


Non-Programmable Thermostat

Manual Changeover Wall Thermostat

Part No.: HH01AD045 (for heat/cool and heat pump models)

This manual changeover wall thermostat provides a reliable and consistent level of occupant temperature control for both heat pumps and heating/cooling units. The thermostat consists of a conventional vented cover and a coiled bimetal element. It is used only on wall thermostat control (RC,RP) models.



Manual Thermostat

Wall Thermostat Interface Retrofit Kit

Part No.: RC-FIELDKIT230HC

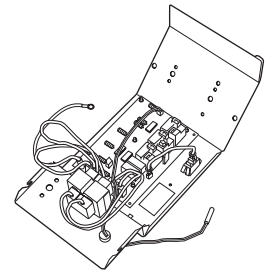
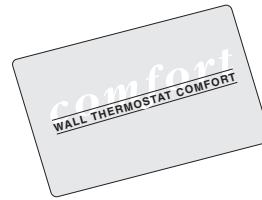
Part No.: RC-FIELDKIT230HP

Part No.: RC-FIELDKIT265HC

Part No.: RC-FIELDKIT265HP

The Wall Thermostat Interface Retrofit Kit allows PTAC units with standard unit-mounted controls to be field converted for use with wall thermostat controls.

NOTE: To obtain retrofit kits for previous 52S Carrier models, contact your Carrier sales representative.



Wall Thermostat Interface Retrofit Kit

2-Speed Fan Control from Wall Thermostat

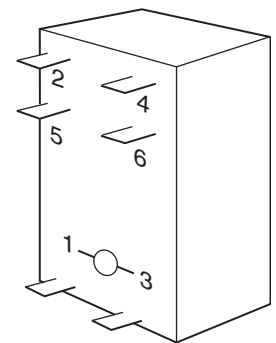
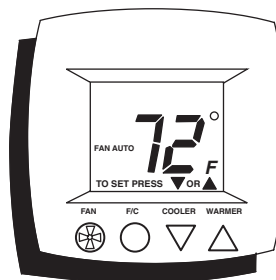
Part No.: 2SPEED-TSTAT-KIT

This kit includes an automatic heat/cool changeover thermostat and relay logic for allowing multiple fan speed control from the wall thermostat. The thermostat is simple to operate and install, and provides features designed for the lodging industry, such as, Hi and Low fan speed control, freeze guard, set point limits and large, easy to read display.

Part No.: 2SPEED-RCFAN-KIT

This kit only contains the relay logic for allowing multiple fan speed control from a wall thermostat.

NOTE: When selecting a thermostat, ensure that the thermostat is capable of 2-fan speed control.



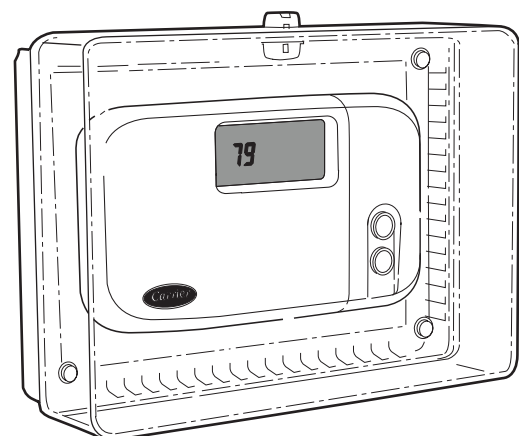
Auto Changeover Thermostat and Speed Control Relay

Thermostat Locking Cover

Part No.: TSTAT-COVER-6X7

Part No.: TSTAT-COVER-7X10

The thermostat locking cover prevents unauthorized access to the thermostat.



Thermostat Locking Cover

FIELD-INSTALLED ACCESSORIES

(52P AND 52C) (cont)

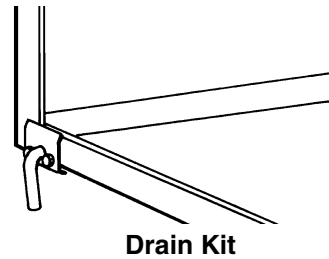
Condensate Drain Kit

Part No.: DRAIN-KIT-4PK

This universal drain kit may be used internally or externally to route condensate to a drainage system. It can be field-installed on any Carrier wall sleeve.

Although Carrier's units are designed to dissipate all the condensate generated during normal cooling, there may be times when abnormal conditions cause more condensate than the unit can dissipate. If condensate that drips from the wall sleeve is objectionable, this internal/external drain kit should be installed.

The drain kit may be attached to the exterior right or left side of the wall sleeve for external draining or may be mounted to the room side of the wall sleeve for internal draining.



IMPORTANT: For internal drains installed in the plastic wall sleeve, the drain must be installed on the flat area of the sleeve. It cannot be installed in the wafer area.

Lateral Duct Kit

Part No.: LATERAL-DUCT (Adapter Plenum and Extension)

The accessory lateral duct kit allows one unit to heat or cool two rooms. The kit provides substantial savings for apartments, hotel suites, and office suites by eliminating the need for separate units for every room. The amount of air that can be diverted to an adjoining room is adjustable from 20 to 30 percent.

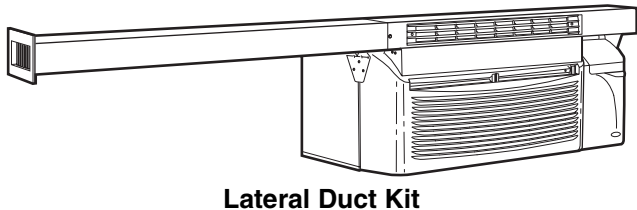
The lateral duct kit consists of two main components, the plenum and the extension duct. The kit mounts to the wall sleeve and allows either right or left side ducting. Consider the following when designing a ducted application.

- The maximum extension of the duct length is 4 feet.
- The duct run must be straight and horizontal; no bends or turns.
- The minimum recommended clearance between the unit and the adjoining room wall is 6 inches.
- You must provide for return air from the adjoining room.
- Carrier 52P and 52C units are not qualified for use with any other ducting scheme.

See page 31 for more information.

NOTES:

1. Lateral Duct Kit includes wall register for duct extension and a molding kit to trim the wall opening.
2. The sleeve should extend a minimum of 3-in. into the room to install mounting brackets.
3. The Lateral Duct Kit is not compatible with previous PTAC models.

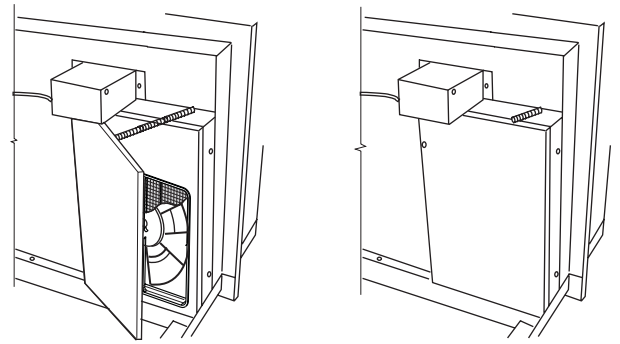


Power Vent with Power Door Kit

Part No.: PWR-VENT-DOOR230

Part No.: PWR-VENT-DOOR265

Carrier's power vent kit, utilizing a specially designed fan, when installed in the unit's fresh air vent, will supply up to 95 cfm of outside air into the room. The power vent will only operate when the unit fan runs, and the unit will automatically open or close the vent door, depending on the operation of the fan. The kit comes pre-assembled from the factory and is very easy to install.



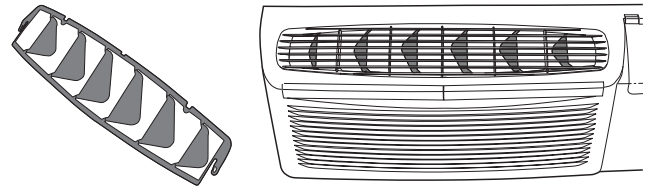
Power Vent with Door Kit

Lateral Air Deflector

Part No.: DEFLECTOR-1PK

Carrier's exclusive lateral air deflector allows discharge air to be directed right or left in a room. This field-installed accessory is equipped with independently adjustable louvers to enhance air circulation. Lateral air deflectors are recommended for units mounted in a corner or off-center in a room.

NOTE: The lateral air deflector is not compatible with previous PTAC models.

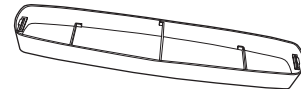
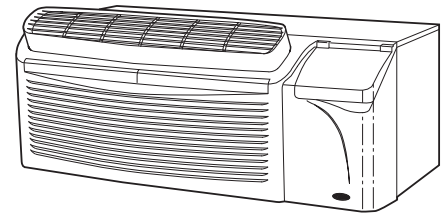


Accessory Air Deflector

Curtain Deflector

Part No.: CURTDFL-52CP-1PK

The curtain deflector is used to prevent curtains from being blown into the discharge air.

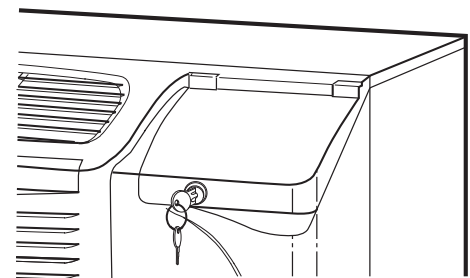


Curtain Deflector Kit

Security Door Kit

Part No.: SECURITY-DOOR

This key-locking security door kit prevents unauthorized access to the unit's heating and cooling controls and prevents tampering with units in public locations and institutions. This field-installed accessory includes two matching keys and fits all Carrier 52P and 52C models. Keys are common to all Security Door kits.



Security Door Kit

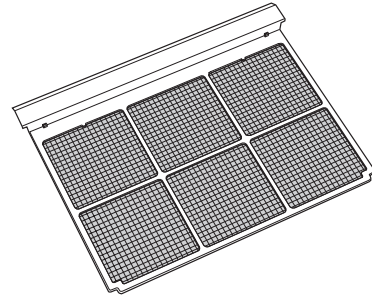
FIELD-INSTALLED ACCESSORIES

(52P AND 52C) (cont)

Replacement Filters

Part No.: AIR-FILTER-10PK

The Carrier 52P and 52C model replacement air filters come in packages of 10. The filters save energy by preventing the evaporator coils from being plugged with dirt and lint. These economical and sturdy filters are interchangeable and may be washed, vacuumed, and reused.



Easily Replaceable Filters

Energy Management Kit

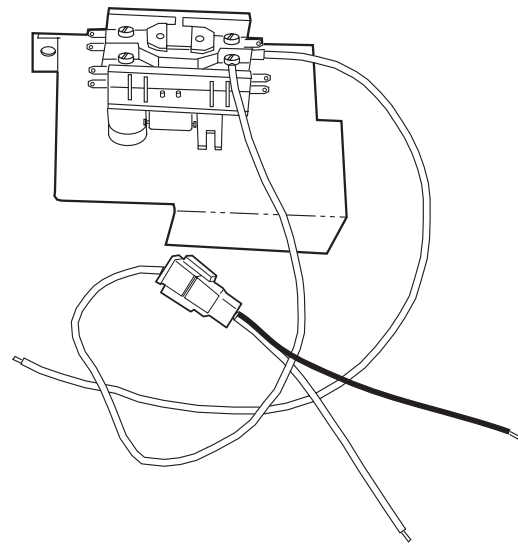
Part No.: EM-KIT

This field-installed accessory kit allows individual units to be turned on and off from a remote location.

The kit incorporates Carrier's Freeze Guard protection that prevents rooms from freezing during extreme or extended cold periods. Under these conditions, the Freeze Guard automatically disables front desk control and allows the unit to maintain a temperature of at least 50 F in the room. When the room reaches 65 F, the Freeze Guard feature returns the unit control to the front desk.

This kit interfaces to most energy management systems. When installed in locations other than the front desk, the kit can control unit operation by receiving signals from field-supplied devices such as motion sensors or heat sensing detectors.

Control devices connected to the Energy Management Kit must have normally open sets of contacts (when the switch is open, the unit operates). A 24-volt transformer must be field supplied and connected to the Energy Management Kit. (See typical wiring diagram on page 49.)



Energy Management Kit

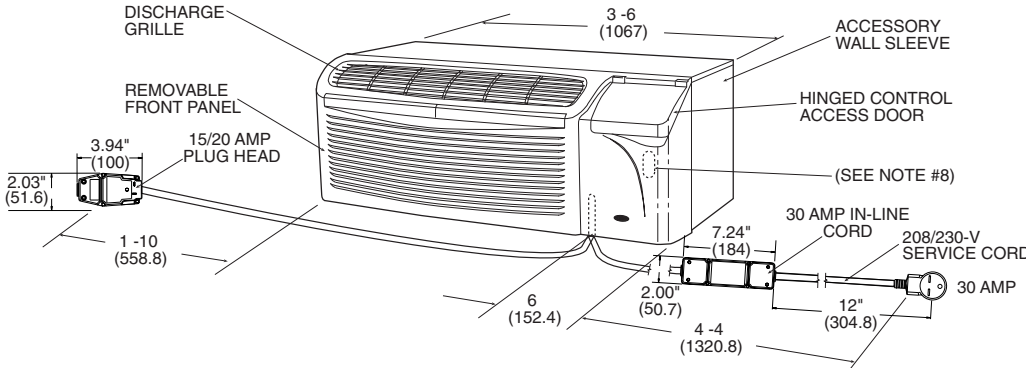
DIMENSION DRAWINGS AND INSTALLATION DATA — NEW CONSTRUCTION

TYPICAL WALL INSTALLATION

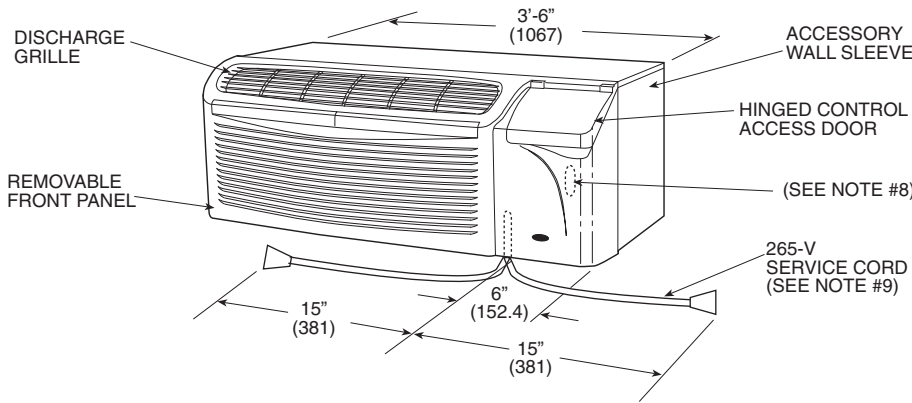
Proper building practices must be used when constructing a wall opening to support a PTAC wall sleeve and chassis.

If practices are unknown, consult your local architect or building contractor.

Installed wall sleeve must be level from side to side and front to back.



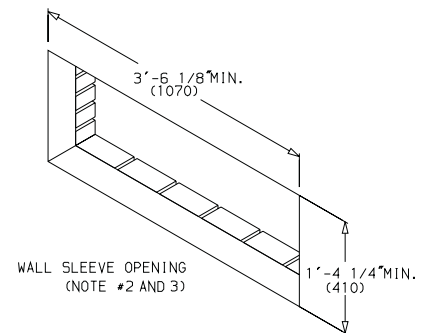
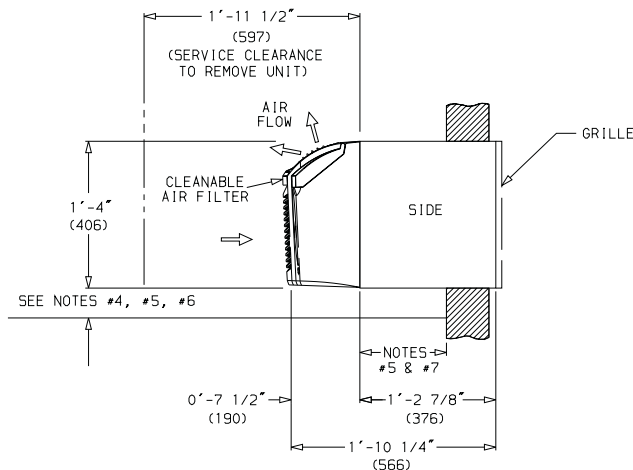
208/230-V UNITS



265-V UNITS

NOTES:

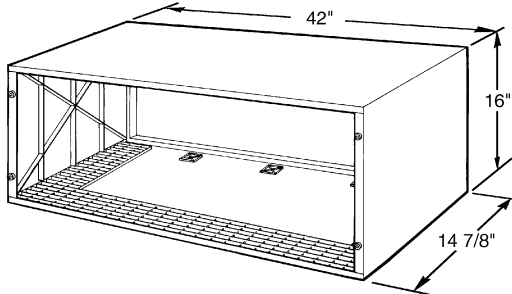
1. Dimensions in parenthesis are in millimeters.
2. Minimum opening sizes apply to all wall openings.
3. Proper building practices must be used when constructing a wall opening to support a PTAC wall sleeve and chassis. If practices are unknown consult your local architect or building contractor.
4. Installed wall sleeve must be level from side to side and front to back (do not use rails to level sleeve).
5. If wall sleeve extends into the room more than 4-in., an accessory subbase or field fabricated front support should be used to prevent wall sleeve from tipping forward.
6. For all applications with an accessory subbase, wall sleeve must extend into room 3¹/₄-in. (83 mm) minimum and 3¹/₄-in. (83 mm) minimum from floor.
7. For all applications with an accessory lateral duct, sleeve must extend into the room 3-in. (76.2 mm) minimum. In applications where the sleeve will not extend a minimum 3-in., the lateral duct mounting brackets must be mounted on the wall sleeve prior to wall sleeve installation.
8. Remote control models, "RC" and "RP" units, use low voltage connections (24 volt AC).
9. 265 volt cord connected units must plug into a 265 volt electrical subbase per UL requirement (or hardwire can be used).
10. The 265 volt electrical cord is approximately 15-in. long from where it exits the front panel.



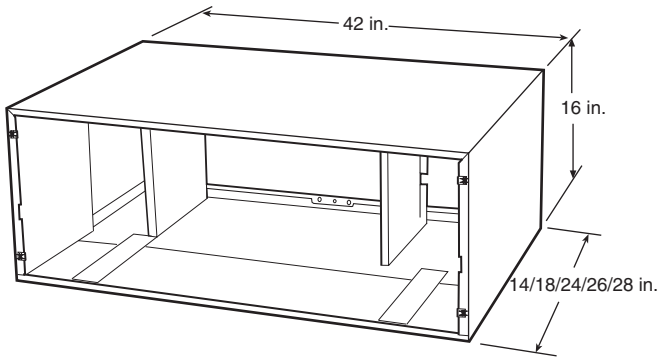
52P and 52C Dimension Drawing

DIMENSION DRAWINGS AND INSTALLATION DATA — NEW CONSTRUCTION (cont)

WALL SLEEVE MOUNTING DIMENSIONS FOR STANDARD AND ACCESSORY GRILLES



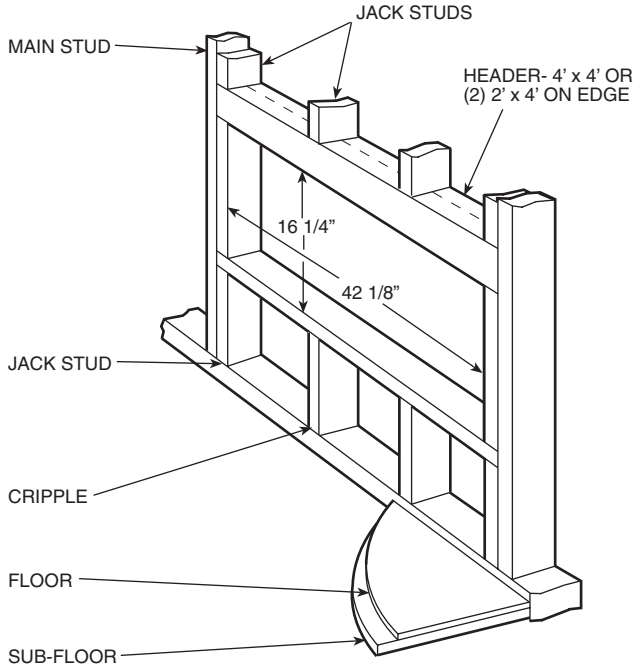
**Standard Polymer Non-Insulated Wall Sleeve
Standard Polymer Insulated Wall Sleeve**



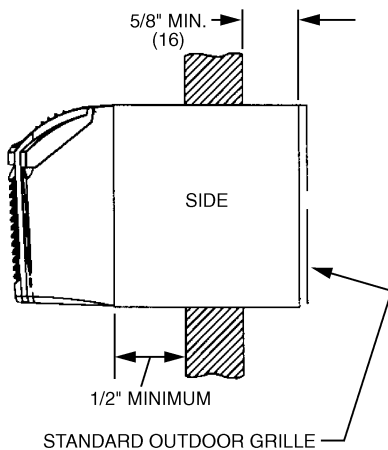
Standard and Extended Metal Insulated Wall Sleeve

NOTES (ALL SLEEVES):

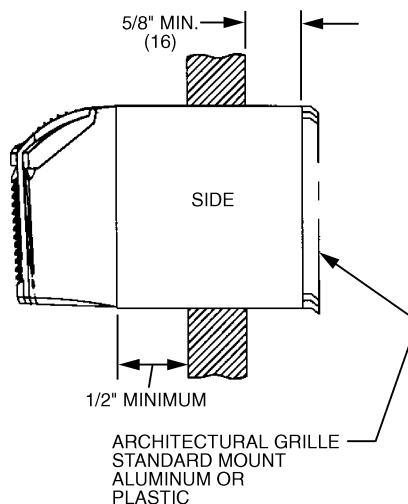
1. Never install fasteners through bottom of sleeve.
2. Never use rails to level sleeve.



Framing and Minimum Wall Sleeve Opening



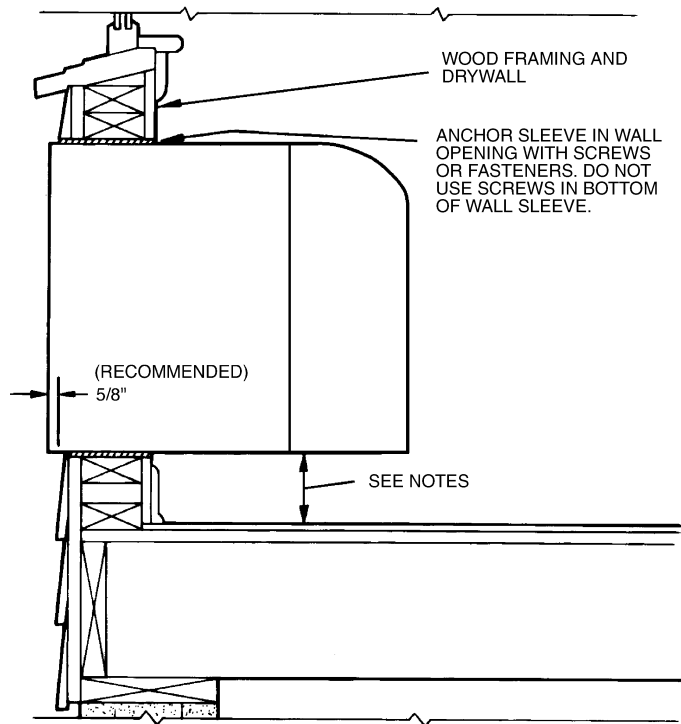
STANDARD OUTDOOR GRILLE



**ARCHITECTURAL GRILLE
STANDARD MOUNT
ALUMINUM OR
PLASTIC**

Wall Sleeve Mounting (All Models)

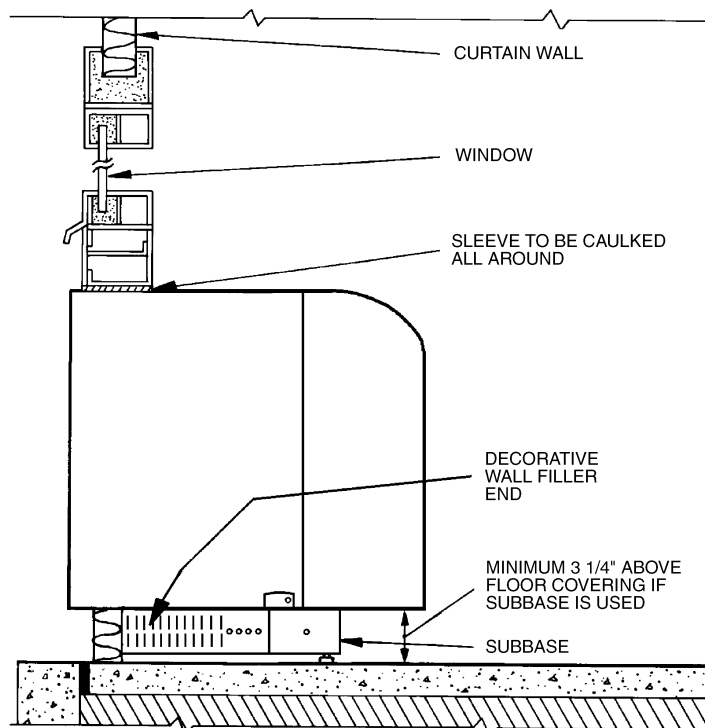
TYPICAL WALL INSTALLATION



NOTES:

1. Sleeve may be flush mounted to floor, but front panel may have to be notched to accommodate service cord.
2. If more than 4 in. of sleeve projects into room, an accessory subbase must be used for support.
3. For walls 2 in. thick or less, an accessory subbase must be used for support.
4. Caulk around sleeve on both indoor and outdoor sides.

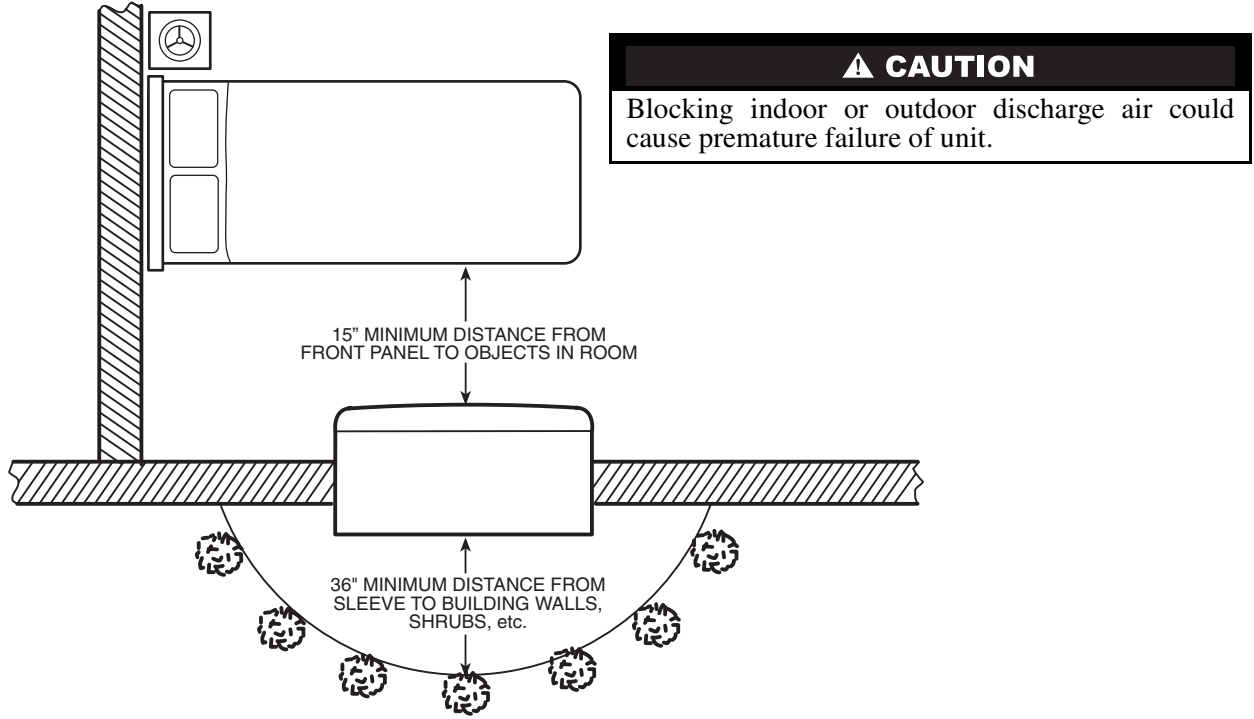
Typical Wall Sleeve Installation



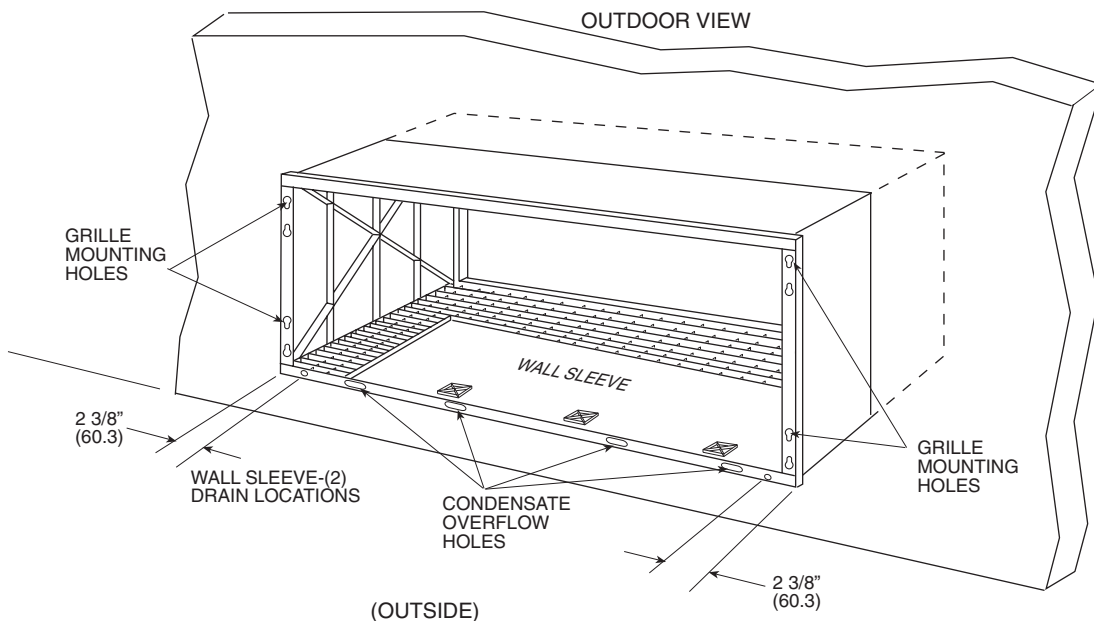
Typical Curtain Wall Installation (All Models)

DIMENSION DRAWINGS AND INSTALLATION DATA — NEW CONSTRUCTION (cont)

MINIMUM CLEARANCE FOR INDOOR AND OUTDOOR DISCHARGE AIR

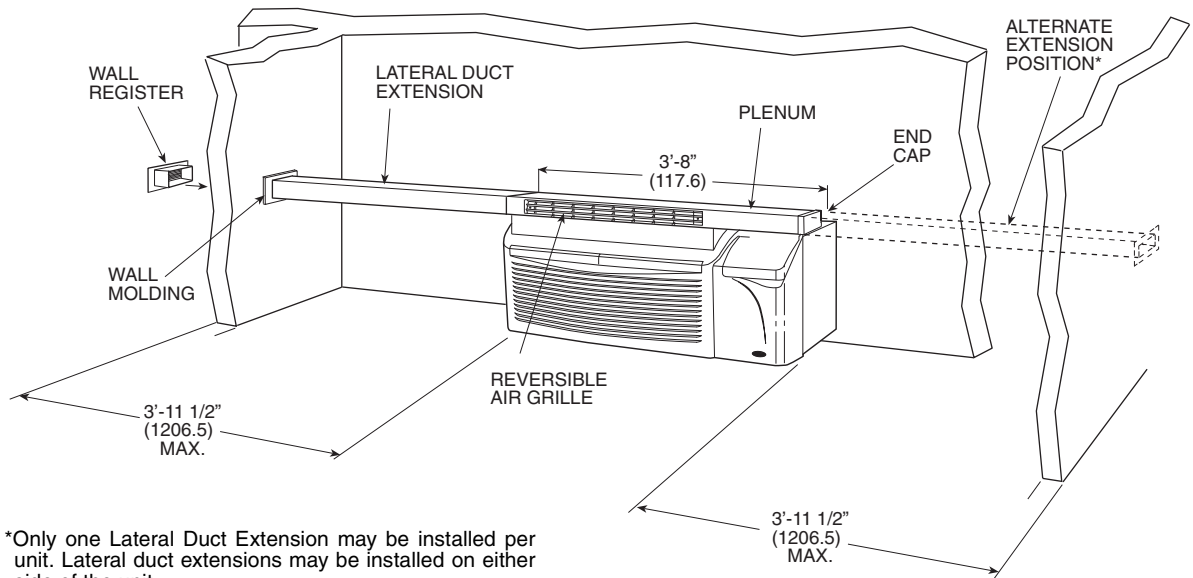


52P and 52C Indoor and Outdoor Discharge Air Circulation

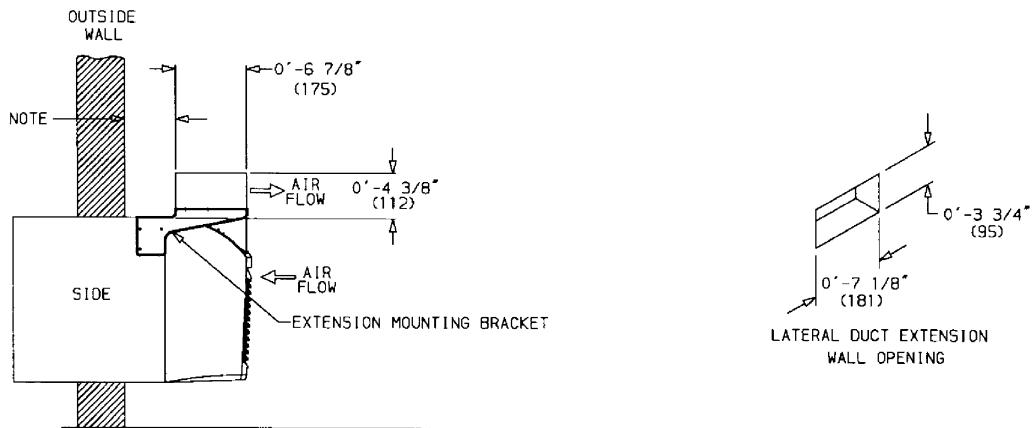


Back of Polymer Wall Sleeve

TYPICAL LATERAL DUCT INSTALLATION



*Only one Lateral Duct Extension may be installed per unit. Lateral duct extensions may be installed on either side of the unit.

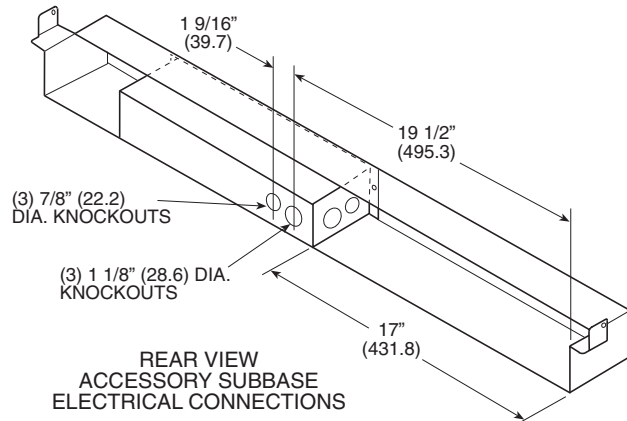
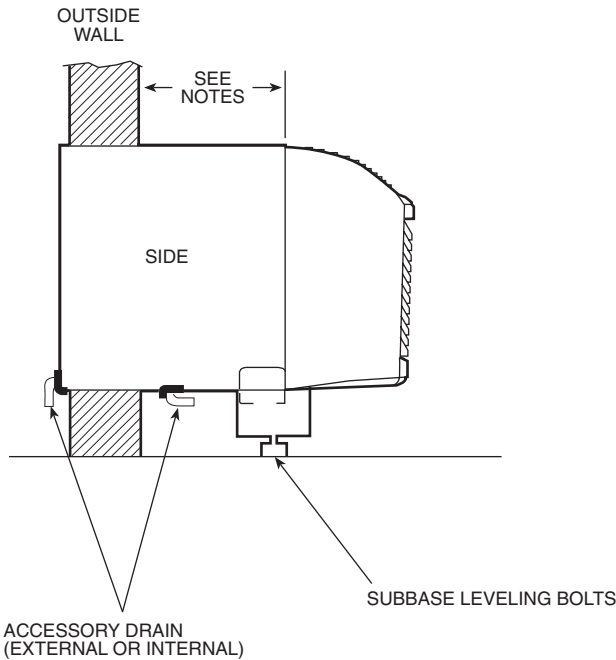
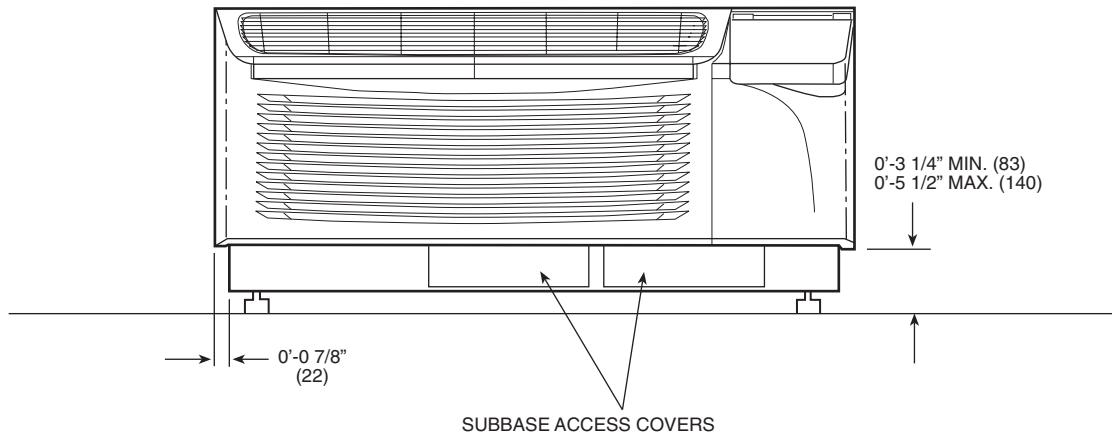


NOTE: For all applications with an accessory lateral duct, sleeve must extend into the room a minimum of 3 inches. In applications where the sleeve will not extend a minimum of 3 in., the lateral duct mounting brackets will need to be mounted on the sleeve prior to installation to the wall.

52P and 52C Lateral Duct

DIMENSION DRAWINGS AND INSTALLATION DATA — NEW CONSTRUCTION (cont)

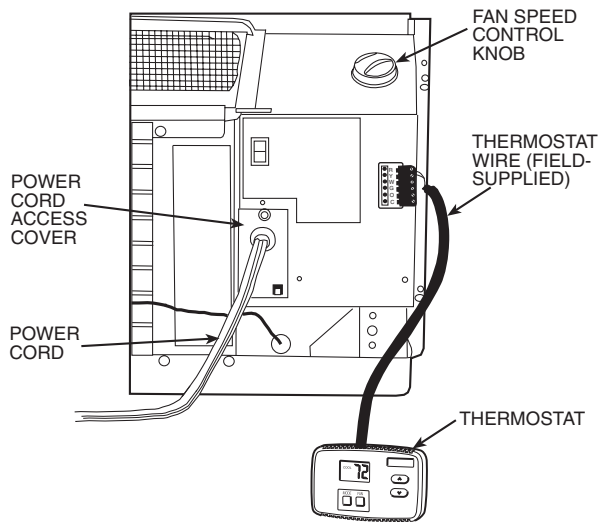
52P AND 52C WITH SUBBASE



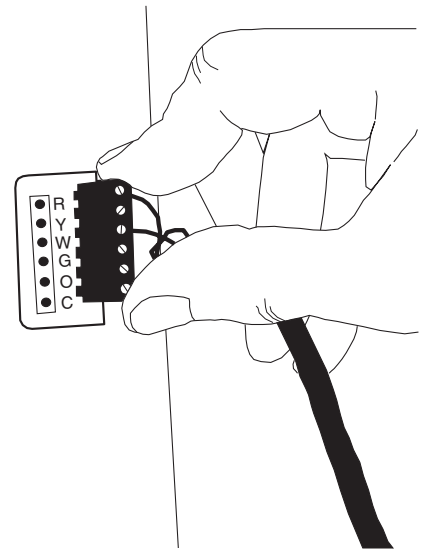
NOTES:

1. Accessory subbase is required for applications where:
 - Wall sleeve extends 4 or more inches into the room.
 - Wall thickness is less than 2 inches.
 - All 265-v cord-connected applications.
2. For all applications with an accessory subbase:
 - Wall sleeve must extend 4 in. minimum into the room and 3 1/4 in. minimum above the floor.
 - Subbase height is adjustable from 3 1/4 in. minimum to 5 1/2 in. maximum above floor (including carpeting). Refer to wall sleeve installation instructions.

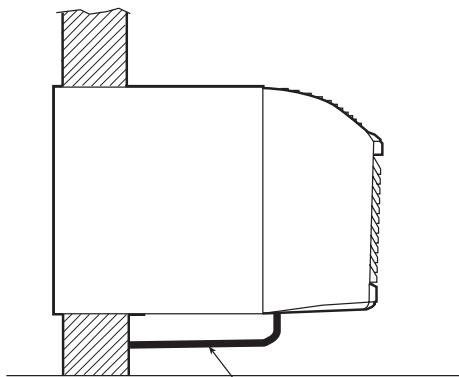
WALL THERMOSTAT CONNECTIONS



Control Box Wire Terminal for Wall Thermostat Models



Terminal Connector Removal and Replacement



THERMOSTAT WIRE ROUTING (UNDER SLEEVE, BEHIND FRONT PANEL)

Terminal Wire Routing

NOTE: Thermostat wire is field supplied. Recommended wire gage is 18 to 20 gage solid thermostat wire. Thermostat wire should always be routed around or under, NEVER through, the wall sleeve. The wire should then be routed behind the front panel to the easily accessible terminal connector.

PRODUCT DATA (52P)

PERFORMANCE AND ELECTRICAL DATA

MODEL 52PQ (230/208-1-60)

| MODEL NUMBER 52PQ | CAPACITY* (Btuh) | | | | HEATER kW | EER | COP† | VOLTAGE RANGE (Volts) | AMPS | | WATTS | |
|----------------------|------------------|---------------|---------------|---------|--------------|---------|---------|-----------------------------|-----------|-----------|-----------|--|
| | Cooling | Heating | | Cooling | | | | | Heating** | Cooling | Heating | |
| | | Rev. Cyc. | Electric | | | | | | | | | |
| 207---3 | 7,200/ 7,100 | 6,300/ 6,300 | 7,800/ 6,400 | 2.3 | 12.7/12.7 | 3.4/3.4 | 187-253 | 2.7/2.9 | 10.4/ 9.5 | 567/ 559 | 2393/1985 | |
| 307---3 | 7,200/ 7,100 | 6,300/ 6,300 | 11,600/ 9,700 | 3.4 | 12.7/12.7 | 3.4/3.4 | | 2.7/2.9 | 15.2/14.1 | 567/ 559 | 3493/2935 | |
| 209---3 | 9,100/ 9,000 | 7,900/ 7,900 | 7,800/ 6,400 | 2.3 | 11.5/11.5 | 3.2/3.2 | | 3.7/3.8 | 10.4/ 9.5 | 791/ 783 | 2393/1985 | |
| 309---3 | 9,100/ 9,000 | 7,900/ 7,900 | 11,600/ 9,700 | 3.4 | 11.5/11.5 | 3.2/3.2 | | 3.7/3.8 | 15.2/14.1 | 791/ 783 | 3493/2935 | |
| 212---3 | 12,100/12,000 | 11,000/11,000 | 7,800/ 6,400 | 2.3 | 11.1/10.7 | 3.2/3.2 | | 4.8/5.3 | 10.8/ 9.9 | 1090/1122 | 2470/2047 | |
| 312---3 | 12,100/12,000 | 11,000/11,000 | 11,600/ 9,700 | 3.4 | 11.1/10.7 | 3.2/3.2 | | 4.8/5.3 | 15.6/14.5 | 1090/1122 | 3570/2997 | |
| 512---3 | 12,100/12,000 | 11,000/11,000 | 17,000/13,600 | 5.0 | 11.1/10.7 | 3.2/3.2 | | 4.8/5.3 | 22.5/20.0 | 1090/1122 | 5170/4147 | |
| 215---3 | 14,800/14,300 | 14,100/13,500 | 7,800/ 6,400 | 2.3 | 9.7/ 9.5 | 3.0/3.0 | | 6.5/7.1 | 10.8/ 9.9 | 1526/1505 | 2470/2047 | |
| 315---3 | 14,800/14,300 | 14,100/13,500 | 11,600/ 9,700 | 3.4 | 9.7/ 9.5 | 3.0/3.0 | | 6.5/7.1 | 15.6/14.5 | 1526/1505 | 3570/2997 | |
| 515---3 | 14,800/14,300 | 14,100/13,500 | 17,000/13,600 | 5.0 | 9.7/ 9.5 | 3.0/3.0 | | 6.5/7.1 | 22.5/20.0 | 1526/1505 | 5170/4147 | |

| MODEL NUMBER 52PQ | POWER FACTOR (%) | FAN MOTOR | | | MAX FUSE SIZE (Amps) | MIN. CIRCUIT AMPS | RECEPTACLE TYPE | R-22 CHARGE (oz) | DEHUMIDIFICATION (Pints/Hr) | SENSIBLE HEAT FACTOR | APPROX. CHASSIS SHIP WT. (lb) |
|----------------------|------------------|------------|----------------|--------------------|----------------------|-------------------|-----------------|------------------|-----------------------------|----------------------|-------------------------------|
| | | Horsepower | Full Load Amps | Indoor CFM LO/HI†† | | | | | | | |
| 207---3 | 100 | 0.075 | 0.44 | 220/260 | 15 | 13.0 | A | 24 | 1.5 | 0.78 | 125 |
| 307---3 | | | | | 20 | 19.0 | B | | | | |
| 209---3 | 99 | 0.075 | 0.44 | 220/260 | 15 | 13.0 | A | 24 | 2.4 | 0.73 | 125 |
| 309---3 | | | | | 20 | 19.0 | B | | | | |
| 212---3 | 99 | 0.125 | 0.75 | 270/350 | 15 | 13.3 | A | 34 | 3.4 | 0.71 | 140 |
| 312---3 | | | | | 20 | 19.3 | B | | | | |
| 512---3 | | | | | 30 | 27.9 | C | | | | |
| 215---3 | 99 | 0.125 | 0.75 | 250/320 | 15 | 13.3 | A | 32 | 4.6 | 0.67 | 150 |
| 315---3 | | | | | 20 | 19.3 | B | | | | |
| 515---3 | | | | | 30 | 27.9 | C | | | | |

LEGEND

EER — Energy Efficiency Ratio

*Rated in accordance with ARI Standard 380-93.

†Coefficient of Performance (COP) at 47 F outdoor ambient temperature.




**Electric resistance heater power and fan motor power.

††Fan motor indoor CFM (LO/HI) shown for 230-1-60 units.



New York City Department of Buildings, Material and Equipment Acceptance — MEA #242-04-E

RECEPTACLES AND FUSE TYPES

| UNIT NAMEPLATE VOLTAGE | 230/208 | | |
|--|---|---|---|
| | 250/15 | 250/20 | 250/30 |
| OUTLET RATED VOLTS/AMPS | 250/15 | 250/20 | 250/30 |
| OUTLET BLADE CONFIGURATION |  A |  B |  C |
| NEMA CONFIGURATION | 6-15R | 6-20R | 6-30R |
| TIME DELAY FUSE OR HACR CIRCUIT BREAKER (AMPS) | 15 | 20* | 30 |
| HEATER (KILOWATTS) | 2.3 | 3.4 | 5.0 |

LEGEND

HACR — Heating, Air Conditioning, and Refrigeration
NEMA — National Electrical Manufacturers Association

*May be used for 15-amp applications if fused for 15 amps.

PERFORMANCE AND ELECTRICAL DATA

MODEL 52PQ (265-1-60)

| MODEL NUMBER 52PQ | CAPACITY* (Btuh) | | | HEATER kW | EER | COP† | VOLTAGE RANGE | AMPS | | WATTS | |
|----------------------|------------------|------------|----------|-----------|------|------|---------------|---------|-----------|---------|---------|
| | Cooling | Heating | | | | | | Cooling | Heating** | Cooling | Heating |
| | | Rev. Cycle | Electric | | | | | | | | |
| 207---4 | 7,200 | 6,300 | 7,800 | 2.3 | 12.3 | 3.4 | 239-292 | 2.4 | 9.2 | 585 | 2396 |
| 307---4 | 7,200 | 6,300 | 11,600 | 3.4 | 12.3 | 3.4 | | 2.4 | 13.3 | 585 | 3496 |
| 209---4 | 9,100 | 7,700 | 7,800 | 2.3 | 11.5 | 3.2 | | 3.1 | 9.2 | 791 | 2396 |
| 309---4 | 9,100 | 7,700 | 11,600 | 3.4 | 11.5 | 3.2 | | 3.1 | 13.3 | 791 | 3496 |
| 212---4 | 12,100 | 10,800 | 7,800 | 2.3 | 11.1 | 3.2 | | 4.2 | 9.4 | 1090 | 2470 |
| 312---4 | 12,100 | 10,800 | 11,600 | 3.4 | 11.1 | 3.2 | | 4.2 | 13.5 | 1090 | 3570 |
| 512---4 | 12,100 | 10,800 | 17,000 | 5.0 | 11.1 | 3.2 | | 4.2 | 19.6 | 1090 | 5170 |
| 215---4 | 14,700 | 14,100 | 7,800 | 2.3 | 9.7 | 3.0 | | 5.7 | 9.4 | 1515 | 2470 |
| 315---4 | 14,700 | 14,100 | 11,600 | 3.4 | 9.7 | 3.0 | | 5.7 | 13.5 | 1515 | 3570 |
| 515---4 | 14,700 | 14,100 | 17,000 | 5.0 | 9.7 | 3.0 | | 5.7 | 19.6 | 1515 | 5170 |

| MODEL NUMBER 52PQ | POWER FACTOR % | FAN MOTOR | | | MAX. FUSE SIZE (Amps) | MIN. CIRCUIT AMPS | RECEPTACLE TYPE†† | R-22 CHARGE (oz) | DEHUMIDIFICATION (Pints/Hr) | SENSIBLE HEAT FACTOR | APPROX. CHASSIS SHIP WT (lb) |
|----------------------|----------------|------------|----------------|------------------|-----------------------|-------------------|-------------------|------------------|-----------------------------|----------------------|------------------------------|
| | | Horsepower | Full Load Amps | Indoor CFM LO/HI | | | | | | | |
| 207---4 | 97 | 0.075 | 0.46 | 220/260 | 15 | 11.3 | A | 26 | 1.5 | 0.78 | 125 |
| 307---4 | | | | | 20 | 16.5 | B | | | | |
| 209---4 | 97 | 0.075 | 0.46 | 220/260 | 15 | 11.3 | A | 24 | 2.4 | 0.73 | 125 |
| 309---4 | | | | | 20 | 16.5 | B | | | | |
| 212---4 | 99 | 0.125 | 0.71 | 270/340 | 15 | 11.6 | A | 34 | 3.4 | 0.71 | 140 |
| 312---4 | | | | | 20 | 16.7 | B | | | | |
| 512---4 | | | | | 25 | 24.3 | C | | | | |
| 215---4 | 96 | 0.125 | 0.71 | 250/320 | 15 | 11.6 | A | 33 | 4.6 | 0.67 | 150 |
| 315---4 | | | | | 20 | 16.7 | B | | | | |
| 515---4 | | | | | 25 | 24.3 | C | | | | |

LEGEND

EER — Energy Efficiency Ratio

*Rated in accordance with ARI Standard 380-93.

†Coefficient of Performance (COP) at 47 F outdoor ambient temperature.




**Electric resistance heater power and fan motor power.

††All 265-v units require an electrical subbase (receptacle or hard-wire model).



New York City Department of Buildings, Material and Equipment Acceptance — MEA #242-04-E

RECEPTACLES AND FUSE TYPES

| UNIT NAMEPLATE VOLTAGE | 265 | | |
|--|---|---|---|
| OUTLET RATED VOLTS/AMPS | 277/15 | 277/20 | 277/30 |
| OUTLET BLADE CONFIGURATION |  A |  B |  C |
| NEMA CONFIGURATION | 7-15R | 7-20R | 7-30R |
| TIME DELAY FUSE OR HACR CIRCUIT BREAKER (AMPS) | 15 | 20 | 30 |
| HEATER (KILOWATTS) | 2.3 | 3.4 | 5.0 |

LEGEND

HACR — Heating, Air Conditioning, and Refrigeration
NEMA — National Electrical Manufacturers Association

PRODUCT DATA (52P) (cont)

PERFORMANCE AND ELECTRICAL DATA

MODEL 52PC AND PE (230/208-1-60)

52PC performance and electrical data is the same as 52PE without electric heat.

| MODEL NUMBER 52PE | CAPACITY* (Btuh) | | HEATER kW | EER | VOLTAGE RANGE (Volts) | AMPS | | WATTS | |
|----------------------|------------------|---------------|--------------|-----------|-----------------------------|---------|-----------|-----------|-----------|
| | Cooling | Heating | | | | Cooling | Heating† | Cooling | Heating |
| 007---3 | 7,200/ 7,100 | — | — | 12.7/12.7 | 187-253 | 2.7/2.9 | — | 567/ 559 | — |
| 207---3 | 7,200/ 7,100 | 7,800/ 6,400 | 2.3 | 12.7/12.7 | | 2.7/2.9 | 10.4/ 9.5 | 567/ 559 | 2393/1985 |
| 307---3 | 7,200/ 7,100 | 11,600/ 9,700 | 3.4 | 12.7/12.7 | | 2.7/2.9 | 15.2/14.1 | 567/ 559 | 3493/2935 |
| 009---3 | 9,100/ 9,000 | — | — | 11.7/11.9 | | 3.0/3.1 | — | 778/ 756 | — |
| 209---3 | 9,100/ 9,000 | 7,800/ 6,400 | 2.3 | 11.7/11.9 | | 3.0/3.1 | 10.4/ 9.5 | 778/ 756 | 2393/1985 |
| 309---3 | 9,100/ 9,000 | 11,600/ 9,700 | 3.4 | 11.7/11.9 | | 3.0/3.1 | 15.2/14.1 | 778/ 756 | 3493/2935 |
| 012---3 | 12,100/12,000 | — | — | 11.1/10.7 | | 4.8/5.3 | — | 1090/1122 | — |
| 212---3 | 12,100/12,000 | 7,800/ 6,400 | 2.3 | 11.1/10.7 | | 4.8/5.3 | 10.8/ 9.9 | 1090/1122 | 2470/2047 |
| 312---3 | 12,100/12,000 | 11,600/ 9,700 | 3.4 | 11.1/10.7 | | 4.8/5.3 | 15.6/14.5 | 1090/1122 | 3570/2997 |
| 512---3 | 12,100/12,000 | 17,000/13,600 | 5.0 | 11.1/10.7 | | 4.8/5.3 | 22.5/20.0 | 1090/1122 | 5170/4147 |
| 015---3 | 15,000/14,700 | — | — | 9.8/ 9.8 | | 6.4/7.1 | — | 1531/1500 | — |
| 215---3 | 15,000/14,700 | 7,800/ 6,400 | 2.3 | 9.8/ 9.8 | | 6.4/7.1 | 10.8/ 9.8 | 1531/1500 | 2470/2047 |
| 315---3 | 15,000/14,700 | 11,600/ 9,700 | 3.4 | 9.8/ 9.8 | | 6.4/7.1 | 15.6/14.5 | 1531/1500 | 3570/2997 |
| 515---3 | 15,000/14,700 | 17,000/13,600 | 5.0 | 9.8/ 9.8 | | 6.4/7.1 | 22.5/20.0 | 1531/1500 | 5170/4147 |

| MODEL NUMBER 52PE | POWER FACTOR (%) | FAN MOTOR | | | MAX. FUSE SIZE (Amps) | MIN. CIRCUIT AMPS | RECEPTACLE TYPE | R-22 CHARGE (oz) | DEHUMIDIFICATION (Pints/Hr) | SENSIBLE HEAT FACTOR | APPROX. SHIP WT. (lb) |
|----------------------|------------------|------------|----------------|--------------------|-----------------------|-------------------|-----------------|------------------|-----------------------------|----------------------|-----------------------|
| | | Horsepower | Full Load Amps | Indoor CFM LO/HI** | | | | | | | |
| 007---3 | 100 | 0.075 | 0.44 | 220/260 | 15 | 4.8 | A | 24 | 1.5 | 0.78 | 125 |
| 207---3 | | | | | 15 | 13.0 | A | | | | |
| 307---3 | | | | | 20 | 19.0 | B | | | | |
| 009---3 | 99 | 0.075 | 0.44 | 220/260 | 15 | 5.4 | A | 23 | 2.4 | 0.73 | 125 |
| 209---3 | | | | | 15 | 13.0 | A | | | | |
| 309---3 | | | | | 20 | 19.0 | B | | | | |
| 012---3 | 99 | 0.125 | 0.75 | 270/350 | 15 | 8.4 | A | 34 | 3.4 | 0.71 | 140 |
| 212---3 | | | | | 15 | 13.3 | A | | | | |
| 312---3 | | | | | 20 | 19.3 | B | | | | |
| 512---3 | | | | | 30 | 27.9 | C | | | | |
| 015---3 | 95 | 0.125 | 0.75 | 250/320 | 15 | 11.1 | A | 32 | 4.8 | 0.66 | 150 |
| 215---3 | | | | | 15 | 13.3 | A | | | | |
| 315---3 | | | | | 20 | 19.3 | B | | | | |
| 515---3 | | | | | 30 | 27.9 | C | | | | |

LEGEND

EER — Energy Efficiency Ratio

*Rated in accordance with ARI Standard 310-93.

†Electric resistance heater power and fan motor power.

**Fan motor indoor CFM (LO/HI) shown for 230-1-60 units.



New York City Department of Buildings, Material and Equipment Acceptance — MEA #242-04-E

RECEPTACLES AND FUSE TYPES

| UNIT NAMEPLATE VOLTAGE | 230/208 | | |
|--|---------|--------|--------|
| | 250/15 | 250/20 | 250/30 |
| OUTLET RATED VOLTS/AMPS | 250/15 | 250/20 | 250/30 |
| OUTLET BLADE CONFIGURATION | A | B | C |
| TIME DELAY FUSE OR HACR CIRCUIT BREAKER (AMPS) | 15 | 20* | 30 |
| HEATER (KILOWATTS) | 2.3 | 3.4 | 5.0 |

LEGEND

HACR — Heating, Air Conditioning, and Refrigeration

NEMA — National Electrical Manufacturers Association

*May be used for 15-amp applications if fused for 15 amps.

PERFORMANCE AND ELECTRICAL DATA

MODEL 52PC AND PE (265-1-60)

52PC performance and electrical data is the same as 52PE without electric heat.

| MODEL NUMBER 52PE | CAPACITY* (Btuh) | | HEATER kW | EER | VOLTAGE RANGE (Volts) | AMPS | | WATTS | |
|----------------------|------------------|---------|--------------|------|-----------------------------|---------|----------|---------|---------|
| | Cooling | Heating | | | | Cooling | Heating† | Cooling | Heating |
| 007---4 | 7,200 | — | — | 12.7 | 239-292 | 2.4 | — | 567 | — |
| 207---4 | 7,200 | 7,800 | 2.3 | 12.7 | | 2.4 | 9.2 | 567 | 2396 |
| 307---4 | 7,200 | 11,600 | 3.4 | 12.7 | | 2.4 | 13.3 | 567 | 3496 |
| 009---4 | 9,100 | — | — | 11.7 | | 3.0 | — | 778 | — |
| 209---4 | 9,100 | 7,800 | 2.3 | 11.7 | | 3.0 | 9.2 | 778 | 2396 |
| 309---4 | 9,100 | 11,600 | 3.4 | 11.7 | | 3.0 | 13.3 | 778 | 3496 |
| 012---4 | 12,100 | — | — | 11.1 | | 4.2 | — | 1090 | — |
| 212---4 | 12,100 | 7,800 | 2.3 | 11.1 | | 4.2 | 9.4 | 1090 | 2470 |
| 312---4 | 12,100 | 11,600 | 3.4 | 11.1 | | 4.2 | 13.5 | 1090 | 3570 |
| 512---4 | 12,100 | 17,000 | 5.0 | 11.1 | | 4.2 | 19.6 | 1090 | 5170 |
| 015---4 | 15,100 | — | — | 10.0 | | 5.7 | — | 1510 | — |
| 215---4 | 15,100 | 7,800 | 2.3 | 10.0 | | 5.7 | 9.4 | 1510 | 2470 |
| 315---4 | 15,100 | 11,600 | 3.4 | 10.0 | | 5.7 | 13.5 | 1510 | 3570 |
| 515---4 | 15,100 | 17,000 | 5.0 | 10.0 | | 5.7 | 19.6 | 1510 | 5170 |

| MODEL NUMBER 52PE | POWER FACTOR % | FAN MOTOR | | | MAX. FUSE SIZE (Amps) | MIN. CIRCUIT AMPS | RECEPTACLE TYPE** | R-22 CHARGE (oz) | DEHUMIDIFICATION (Pints/Hr) | SENSIBLE HEAT FACTOR | APPROX. CHASSIS SHIP WT. (lb) |
|----------------------|-------------------|------------|----------------|------------------|--------------------------|-------------------|-------------------|------------------|-----------------------------|----------------------|-------------------------------|
| | | Horsepower | Full Load Amps | Indoor CFM LO/HI | | | | | | | |
| 007---4 | 97 | 0.075 | 0.46 | 220/260 | 15 | 3.7 | A | 26 | 1.5 | 0.78 | 125 |
| 207---4 | | | | | 15 | 11.3 | A | | | | |
| 307---4 | | | | | 20 | 16.5 | B | | | | |
| 009---4 | 97 | 0.075 | 0.46 | 220/260 | 15 | 4.7 | A | 24 | 2.4 | 0.73 | 125 |
| 209---4 | | | | | 15 | 11.3 | A | | | | |
| 309---4 | | | | | 20 | 16.5 | B | | | | |
| 012---4 | 99 | 0.125 | 0.71 | 270/340 | 15 | 6.7 | A | 34 | 3.4 | 0.71 | 140 |
| 212---4 | | | | | 15 | 11.6 | A | | | | |
| 312---4 | | | | | 20 | 16.7 | B | | | | |
| 512---4 | | | | | 25 | 24.3 | C | | | | |
| 015---4 | 100 | 0.125 | 0.71 | 250/320 | 15 | 8.7 | A | 32 | 5.0 | 0.66 | 150 |
| 215---4 | | | | | 15 | 11.6 | A | | | | |
| 315---4 | | | | | 20 | 16.7 | B | | | | |
| 515---4 | | | | | 25 | 24.3 | C | | | | |

LEGEND

EER — Energy Efficiency Ratio

*Rated in accordance with ARI Standard 310-93.




†Electric resistance heater power and fan motor power.

**All 265-v units require an electrical subbase (receptacle or hard-wire model).



New York City Department of Buildings, Material and Equipment
Acceptance — MEA #242-04-E

RECEPTACLES AND FUSE TYPES

| UNIT NAMEPLATE VOLTAGE | 265 | | |
|--|---|---|---|
| | 277/15 | 277/20 | 277/30 |
| OUTLET RATED VOLTS/AMPS | | | |
| OUTLET BLADE CONFIGURATION |  A |  B |  C |
| NEMA CONFIGURATION | 7-15R | 7-20R | 7-30R |
| TIME DELAY FUSE OR HACR CIRCUIT BREAKER (AMPS) | 15 | 20 | 30 |
| HEATER (KILOWATTS) | 2.3 | 3.4 | 5.0 |

LEGEND

HACR — Heating, Air Conditioning, and Refrigeration

NEMA — National Electrical Manufacturers Association

PRODUCT DATA (52C)

PERFORMANCE AND ELECTRICAL DATA

MODEL 52CQ (230/208-1-60)

| MODEL NUMBER 52CQ | CAPACITY* (Btuh) | | | HEATER kW | EER | COP† | VOLTAGE RANGE (Volts) | AMPS | | WATTS | |
|----------------------|------------------|---------------|---------------|--------------|-----------|---------|-----------------------------|---------|-----------|-----------|-----------|
| | Cooling | Heating | | | | | | Cooling | Heating** | Cooling | Heating |
| | | Rev. Cyc. | Electric | | | | | | | | |
| 207---3 | 7,000/ 6,900 | 6,100/ 6,000 | 7,800/ 6,400 | 2.3 | 11.1/11.1 | 3.1/3.1 | 187-253 | 3.0/3.2 | 10.4/ 9.5 | 631/ 622 | 2393/1985 |
| 307---3 | 7,000/ 6,900 | 6,100/ 6,000 | 11,600/ 9,700 | 3.4 | 11.1/11.1 | 3.1/3.1 | | 3.0/3.2 | 15.2/14.1 | 631/ 622 | 3493/2935 |
| 209---3 | 9,000/ 8,900 | 7,900/ 7,800 | 7,800/ 6,400 | 2.3 | 10.7/10.7 | 3.1/3.1 | | 4.3/4.7 | 10.4/ 9.5 | 841/ 832 | 2393/1985 |
| 309---3 | 9,000/ 8,900 | 7,900/ 7,800 | 11,600/ 9,700 | 3.4 | 10.7/10.7 | 3.1/3.1 | | 4.3/4.7 | 15.2/14.1 | 841/ 832 | 3493/2935 |
| 212---3 | 12,000/11,900 | 10,800/10,700 | 7,800/ 6,400 | 2.3 | 10.1/10.1 | 3.0/3.0 | | 5.1/5.5 | 10.8/ 9.9 | 1188/1178 | 2470/2047 |
| 312---3 | 12,000/11,900 | 10,800/10,700 | 11,600/ 9,700 | 3.4 | 10.1/10.1 | 3.0/3.0 | | 5.1/5.5 | 15.6/14.5 | 1188/1178 | 3570/2997 |
| 512---3 | 12,000/11,900 | 10,800/10,700 | 17,000/13,600 | 5.0 | 10.1/10.1 | 3.0/3.0 | | 5.1/5.5 | 22.5/20.0 | 1188/1178 | 5170/4147 |
| 215---3 | 14,600/14,300 | 14,100/13,500 | 7,800/ 6,400 | 2.3 | 9.5/ 9.5 | 3.0/3.0 | | 6.5/7.1 | 10.8/ 9.9 | 1537/1505 | 2470/2047 |
| 315---3 | 14,600/14,300 | 14,100/13,500 | 11,600/ 9,700 | 3.4 | 9.5/ 9.5 | 3.0/3.0 | | 6.5/7.1 | 15.6/14.5 | 1537/1505 | 3570/2997 |
| 515---3 | 14,600/14,300 | 14,100/13,500 | 17,000/13,600 | 5.0 | 9.5/ 9.5 | 3.0/3.0 | | 6.5/7.1 | 22.5/20.0 | 1537/1505 | 5170/4147 |

| MODEL NUMBER 52CQ | POWER FACTOR (%) | FAN MOTOR | | | MAX FUSE SIZE (Amps) | MIN. CIRCUIT AMPS | RECEPTACLE TYPE | R-22 CHARGE (oz) | DEHUMIDIFICATION (Pints/Hr) | SENSIBLE HEAT FACTOR | APPROX. CHASSIS SHIP WT. (lb) |
|----------------------|------------------|------------|----------------|--------------------|----------------------|-------------------|-----------------|------------------|-----------------------------|----------------------|-------------------------------|
| | | Horsepower | Full Load Amps | Indoor CFM LO/HI†† | | | | | | | |
| 207---3 | 100 | 0.075 | 0.44 | 220/260 | 15 | 13.0 | A | 26 | 1.5 | 0.78 | 125 |
| 307---3 | | | | | 20 | 19.0 | B | | | | |
| 209---3 | 99 | 0.075 | 0.44 | 220/260 | 15 | 13.0 | A | 28 | 2.4 | 0.73 | 125 |
| 309---3 | | | | | 20 | 19.0 | B | | | | |
| 212---3 | 99 | 0.125 | 0.75 | 270/350 | 15 | 13.3 | A | 28 | 3.4 | 0.71 | 140 |
| 312---3 | | | | | 20 | 19.3 | B | | | | |
| 512---3 | | | | | 30 | 27.9 | C | | | | |
| 215---3 | 99 | 0.125 | 0.75 | 250/320 | 15 | 13.3 | A | 32 | 4.6 | 0.67 | 150 |
| 315---3 | | | | | 20 | 19.3 | B | | | | |
| 515---3 | | | | | 30 | 27.9 | C | | | | |

LEGEND

EER — Energy Efficiency Ratio

*Rated in accordance with ARI Standard 380-93.

†Coefficient of Performance (COP) at 47 F outdoor ambient temperature.




**Electric resistance heater power and fan motor power.

††Fan motor indoor CFM (LO/HI) shown for 230-1-60 units.



New York City Department of Buildings, Material and Equipment Acceptance — MEA #242-04-E

RECEPTACLES AND FUSE TYPES

| UNIT NAMEPLATE VOLTAGE | 230/208 | | |
|--|---|---|---|
| | 250/15 | 250/20 | 250/30 |
| OUTLET RATED VOLTS/AMPS | | | |
| OUTLET BLADE CONFIGURATION |  A |  B |  C |
| NEMA CONFIGURATION | 6-15R | 6-20R | 6-30R |
| TIME DELAY FUSE OR HACR CIRCUIT BREAKER (AMPS) | 15 | 20* | 30 |
| HEATER (KILOWATTS) | 2.3 | 3.4 | 5.0 |

LEGEND

HACR — Heating, Air Conditioning, and Refrigeration
NEMA — National Electrical Manufacturers Association

*May be used for 15-amp applications if fused for 15 amps.

PERFORMANCE AND ELECTRICAL DATA

MODEL 52CQ (265-1-60)

| MODEL NUMBER 52CQ | CAPACITY* (Btuh) | | | HEATER kW | EER | COP† | VOLTAGE RANGE | AMPS | | WATTS | |
|----------------------|------------------|------------|----------|--------------|------|------|------------------|---------|-----------|---------|---------|
| | Cooling | Heating | | | | | | Cooling | Heating** | Cooling | Heating |
| | | Rev. Cycle | Electric | | | | | | | | |
| 207---4 | 7,000 | 6,100 | 7,800 | 2.3 | 11.1 | 3.1 | 239-292 | 2.6 | 9.2 | 631 | 2396 |
| 307---4 | 7,000 | 6,100 | 11,600 | 3.4 | 11.1 | 3.1 | | 2.6 | 13.3 | 631 | 3496 |
| 209---4 | 8,900 | 7,700 | 7,800 | 2.3 | 10.7 | 3.1 | | 3.6 | 9.2 | 832 | 2396 |
| 309---4 | 8,900 | 7,700 | 11,600 | 3.4 | 10.7 | 3.1 | | 3.6 | 13.3 | 832 | 3496 |
| 212---4 | 12,000 | 10,800 | 7,800 | 2.3 | 10.1 | 3.0 | | 4.7 | 9.4 | 1188 | 2470 |
| 312---4 | 12,000 | 10,800 | 11,600 | 3.4 | 10.1 | 3.0 | | 4.7 | 13.5 | 1188 | 3570 |
| 512---4 | 12,000 | 10,800 | 17,000 | 5.0 | 10.1 | 3.0 | | 4.7 | 19.6 | 1188 | 5170 |
| 215---4 | 14,600 | 14,100 | 7,800 | 2.3 | 9.5 | 3.0 | | 5.7 | 9.4 | 1537 | 2470 |
| 315---4 | 14,600 | 14,100 | 11,600 | 3.4 | 9.5 | 3.0 | | 5.7 | 13.5 | 1537 | 3570 |
| 515---4 | 14,600 | 14,100 | 17,000 | 5.0 | 9.5 | 3.0 | | 5.7 | 19.6 | 1537 | 5170 |

| MODEL NUMBER 52CQ | POWER FACTOR % | FAN MOTOR | | | MAX. FUSE SIZE (Amps) | MIN. CIRCUIT AMPS | RECEP-TACLE TYPE†† | R-22 CHARGE (oz) | DEHUMIDI-FICATION (Pints/Hr) | SENSIBLE HEAT FACTOR | APPROX. CHASSIS SHIP WT. (lb) |
|----------------------|-------------------|------------|----------------|------------------|--------------------------|-------------------|--------------------|------------------|------------------------------|----------------------|-------------------------------|
| | | Horsepower | Full Load Amps | Indoor CFM LO/HI | | | | | | | |
| 207---4 | 97 | 0.075 | 0.46 | 220/260 | 15 | 11.3 | A | 26 | 1.5 | 0.78 | 125 |
| 307---4 | | | | | 20 | 16.5 | B | | | | |
| 209---4 | 97 | 0.075 | 0.46 | 220/260 | 15 | 11.3 | A | 28 | 2.4 | 0.73 | 125 |
| 309---4 | | | | | 20 | 16.5 | B | | | | |
| 212---4 | 99 | 0.125 | 0.71 | 270/340 | 15 | 11.6 | A | 29 | 3.4 | 0.71 | 140 |
| 312---4 | | | | | 20 | 16.7 | B | | | | |
| 512---4 | | | | | 25 | 24.3 | C | | | | |
| 215---4 | 96 | 0.125 | 0.71 | 250/320 | 15 | 11.6 | A | 33 | 4.6 | 0.67 | 150 |
| 315---4 | | | | | 20 | 16.7 | B | | | | |
| 515---4 | | | | | 25 | 24.3 | C | | | | |

LEGEND

EER — Energy Efficiency Ratio

*Rated in accordance with ARI Standard 380-93.

†Coefficient of Performance (COP) at 47 F outdoor ambient temperature.




**Electric resistance heater power and fan motor power.

††All 265-v units require an electrical subbase (receptacle or hard-wire model).



New York City Department of Buildings, Material and Equipment Acceptance — MEA #242-04-E

RECEPTACLES AND FUSE TYPES

| UNIT NAMEPLATE VOLTAGE | 265 | | |
|--|---|---|---|
| OUTLET RATED VOLTS/AMPS | 277/15 | 277/20 | 277/30 |
| OUTLET BLADE CONFIGURATION |  A |  B |  C |
| NEMA CONFIGURATION | 7-15R | 7-20R | 7-30R |
| TIME DELAY FUSE OR HACR CIRCUIT BREAKER (AMPS) | 15 | 20 | 30 |
| HEATER (KILOWATTS) | 2.3 | 3.4 | 5.0 |

LEGEND

HACR — Heating, Air Conditioning, and Refrigeration
NEMA — National Electrical Manufacturers Association

PRODUCT DATA (52C) (cont)

PERFORMANCE AND ELECTRICAL DATA

MODEL 52CE (230/208-1-60)

| MODEL NUMBER 52CE | CAPACITY* (Btuh) | | HEATER kW | EER | VOLTAGE RANGE (Volts) | AMPS | | WATTS | |
|----------------------|------------------|---------------|--------------|-----------|-----------------------------|---------|-----------|-----------|-----------|
| | Cooling | Heating | | | | Cooling | Heating† | Cooling | Heating |
| 207---3 | 7,000/ 6,900 | 7,800/ 6,400 | 2.3 | 11.1/11.1 | 187-253 | 3.0/3.2 | 10.4/ 9.5 | 631/ 622 | 2393/1985 |
| 307---3 | 7,000/ 6,900 | 11,600/ 9,700 | 3.4 | 11.1/11.1 | | 3.0/3.2 | 15.2/14.1 | 631/ 622 | 3493/2935 |
| 209---3 | 9,000/ 8,900 | 7,800/ 6,400 | 2.3 | 10.7/10.7 | | 4.0/4.3 | 10.4/ 9.5 | 841/ 832 | 2393/1985 |
| 309---3 | 9,000/ 8,900 | 11,600/ 9,700 | 3.4 | 10.7/10.7 | | 4.0/4.3 | 15.2/14.1 | 841/ 832 | 3493/2935 |
| 212---3 | 12,000/11,900 | 7,800/ 6,400 | 2.3 | 10.1/10.1 | | 5.4/5.8 | 10.8/ 9.9 | 1188/1178 | 2470/2047 |
| 312---3 | 12,000/11,900 | 11,600/ 9,700 | 3.4 | 10.1/10.1 | | 5.4/5.8 | 15.6/14.5 | 1188/1178 | 3570/2997 |
| 512---3 | 12,000/11,900 | 17,000/13,600 | 5.0 | 10.1/10.1 | | 5.4/5.8 | 22.5/20.0 | 1188/1178 | 5170/4147 |
| 215---3 | 14,600/14,300 | 7,800/ 6,400 | 2.3 | 9.5/ 9.5 | | 6.4/7.1 | 10.8/ 9.9 | 1537/1505 | 2470/2047 |
| 315---3 | 14,600/14,300 | 11,600/ 9,700 | 3.4 | 9.5/ 9.5 | | 6.4/7.1 | 15.6/14.5 | 1537/1505 | 3570/2997 |
| 515---3 | 14,600/14,300 | 17,000/13,600 | 5.0 | 9.5/ 9.5 | | 6.4/7.1 | 22.5/20.0 | 1537/1505 | 5170/4147 |

| MODEL NUMBER 52CE | POWER FACTOR (%) | FAN MOTOR | | | MAX. FUSE SIZE (Amps) | MIN. CIRCUIT AMPS | RECEP- TACLE TYPE | R-22 CHARGE (oz) | DEHUMIDIFI- CATION (Pints/Hr) | SENSIBLE HEAT FACTOR | APPROX. SHIP WT. (lb) |
|----------------------|------------------------|------------|----------------------|--------------------------|--------------------------------|-------------------------|-------------------------|------------------------|-------------------------------------|----------------------------|-----------------------------|
| | | Horsepower | Full Load Amps | Indoor CFM LO/HI** | | | | | | | |
| 207---3 | 100 | 0.075 | 0.44 | 220/260 | 15 | 13.0 | A | 21 | 1.5 | 0.78 | 125 |
| 307---3 | | | | | 20 | 19.0 | B | | | | |
| 209---3 | 99 | 0.075 | 0.44 | 220/260 | 15 | 13.0 | A | 28 | 2.4 | 0.73 | 125 |
| 309---3 | | | | | 20 | 19.0 | B | | | | |
| 212---3 | 99 | 0.125 | 0.75 | 270/350 | 15 | 13.3 | A | 29 | 3.4 | 0.71 | 140 |
| 312---3 | | | | | 20 | 19.3 | B | | | | |
| 512---3 | | | | | 30 | 27.9 | C | | | | |
| 215---3 | 95 | 0.125 | 0.75 | 250/320 | 15 | 13.3 | A | 32 | 4.8 | 0.66 | 150 |
| 315---3 | | | | | 20 | 19.3 | B | | | | |
| 515---3 | | | | | 30 | 27.9 | C | | | | |

LEGEND

EER — Energy Efficiency Ratio

*Rated in accordance with ARI Standard 310-93.




†Electric resistance heater power and fan motor power.

**Fan motor indoor CFM (LO/HI) shown for 230-1-60 units.



New York City Department of Buildings, Material and Equipment
Acceptance — MEA #242-04-E

RECEPTACLES AND FUSE TYPES

| UNIT NAMEPLATE VOLTAGE | 230/208 | | |
|---|---|---|---|
| | 250/15 | 250/20 | 250/30 |
| OUTLET RATED VOLTS/AMPS | | | |
| OUTLET BLADE CONFIGURATION |  A |  B |  C |
| TIME DELAY FUSE OR HACR CIRCUIT BREAKER (AMPS) | 15 | 20* | 30 |
| HEATER (KILOWATTS) | 2.3 | 3.4 | 5.0 |

LEGEND

HACR — Heating, Air Conditioning, and Refrigeration
NEMA — National Electrical Manufacturers Association

*May be used for 15-amp applications if fused for 15 amps.

PERFORMANCE AND ELECTRICAL DATA

MODEL 52CE (265-1-60)

| MODEL NUMBER 52CE | CAPACITY* (Btuh) | | HEATER kW | EER | VOLTAGE RANGE (Volts) | AMPS | | WATTS | |
|----------------------|------------------|---------|--------------|------|-----------------------------|---------|----------|---------|---------|
| | Cooling | Heating | | | | Cooling | Heating† | Cooling | Heating |
| 207---4 | 7,000 | 7,800 | 2.3 | 11.1 | 239-292 | 2.7 | 9.2 | 631 | 2396 |
| 307---4 | 7,000 | 11,600 | 3.4 | 11.1 | | 2.7 | 13.3 | 631 | 3496 |
| 209---4 | 8,900 | 7,800 | 2.3 | 10.7 | | 3.4 | 9.2 | 832 | 2396 |
| 309---4 | 8,900 | 11,600 | 3.4 | 10.7 | | 3.4 | 13.3 | 832 | 3496 |
| 212---4 | 12,000 | 7,800 | 2.3 | 10.1 | | 4.7 | 9.4 | 1188 | 2470 |
| 312---4 | 12,000 | 11,600 | 3.4 | 10.1 | | 4.7 | 13.5 | 1188 | 3570 |
| 512---4 | 12,000 | 17,000 | 5.0 | 10.1 | | 4.7 | 19.6 | 1188 | 5170 |
| 215---4 | 14,600 | 7,800 | 2.3 | 9.5 | | 5.7 | 9.4 | 1537 | 2470 |
| 315---4 | 14,600 | 11,600 | 3.4 | 9.5 | | 5.7 | 13.5 | 1537 | 3570 |
| 515---4 | 14,600 | 17,000 | 5.0 | 9.5 | | 5.7 | 19.6 | 1537 | 5170 |

| MODEL NUMBER 52CE | POWER FACTOR % | FAN MOTOR | | | MAX. FUSE SIZE (Amps) | MIN. CIRCUIT AMPS | RECEPTACLE TYPE** | R-22 CHARGE (oz) | DEHUMIDIFICATION (Pints/Hr) | SENSIBLE HEAT FACTOR | APPROX. CHASSIS SHIP WT (lb) |
|----------------------|-------------------|------------|----------------|------------------|--------------------------|-------------------|-------------------|------------------|-----------------------------|----------------------|------------------------------|
| | | Horsepower | Full Load Amps | Indoor CFM LO/Hi | | | | | | | |
| 207---4 | 97 | 0.075 | 0.46 | 220/260 | 15 | 11.3 | A | 22 | 1.5 | 0.78 | 125 |
| 307---4 | | | | | 20 | 16.5 | B | | | | |
| 209---4 | 97 | 0.075 | 0.46 | 220/260 | 15 | 11.3 | A | 29 | 2.4 | 0.73 | 125 |
| 309---4 | | | | | 20 | 16.5 | B | | | | |
| 212---4 | 99 | 0.125 | 0.71 | 270/340 | 15 | 11.6 | A | 28 | 3.4 | 0.71 | 140 |
| 312---4 | | | | | 20 | 16.7 | B | | | | |
| 512---4 | | | | | 25 | 24.3 | C | | | | |
| 215---4 | 100 | 0.125 | 0.71 | 250/320 | 15 | 11.6 | A | 32 | 5.0 | 0.66 | 150 |
| 315---4 | | | | | 20 | 16.7 | B | | | | |
| 515---4 | | | | | 25 | 24.3 | C | | | | |

LEGEND

EER — Energy Efficiency Ratio

*Rated in accordance with ARI Standard 310-93.




†Electric resistance heater power and fan motor power.

**All 265-v units require an electrical subbase (receptacle or hard-wire model).



New York City Department of Buildings, Material and Equipment
Acceptance — MEA #242-04-E

RECEPTACLES AND FUSE TYPES

| UNIT NAMEPLATE VOLTAGE | 265 | | |
|--|---|---|---|
| | 277/15 | 277/20 | 277/30 |
| OUTLET RATED VOLTS/AMPS | | | |
| OUTLET BLADE CONFIGURATION |  A |  B |  C |
| NEMA CONFIGURATION | 7-15R | 7-20R | 7-30R |
| TIME DELAY FUSE OR HACR CIRCUIT BREAKER (AMPS) | 15 | 20 | 30 |
| HEATER (KILOWATTS) | 2.3 | 3.4 | 5.0 |

LEGEND

HACR — Heating, Air Conditioning, and Refrigeration
NEMA — National Electrical Manufacturers Association

EXPANDED RATINGS DATA (52P AND 52C)

COOLING PERFORMANCE

ALL 7000 NOMINAL BTUH MODELS

Evaporator entering air temp. — 80 F Evap. air — 260 CFM

| TEMP (F) AIR ENT. COND (40% RH) | | EVAP AIR — EWB (F) | | | |
|---------------------------------|-------|--------------------|-------|-------|-------|
| | | 57.00 | 62.00 | 67.00 | 72.00 |
| 80 | MBtuh | 7.05 | 7.23 | 8.04 | 8.85 |
| | kW | 0.54 | 0.54 | 0.55 | 0.55 |
| | I | 2.35 | 2.36 | 2.37 | 2.39 |
| 85 | MBtuh | 6.93 | 7.08 | 7.90 | 8.71 |
| | kW | 0.56 | 0.57 | 0.57 | 0.57 |
| | I | 2.45 | 2.46 | 2.48 | 2.49 |
| 90 | MBtuh | 6.85 | 6.95 | 7.72 | 8.54 |
| | kW | 0.59 | 0.59 | 0.59 | 0.60 |
| | I | 2.56 | 2.56 | 2.58 | 2.59 |
| 95 | MBtuh | 6.76 | 6.81 | 7.54 | 8.35 |
| | kW | 0.61 | 0.61 | 0.62 | 0.62 |
| | I | 2.67 | 2.67 | 2.68 | 2.89 |
| 100 | MBtuh | 6.70 | 6.70 | 7.36 | 8.17 |
| | kW | 0.64 | 0.64 | 0.64 | 0.64 |
| | I | 2.79 | 2.79 | 2.79 | 2.80 |
| 105 | MBtuh | 6.57 | 6.59 | 7.17 | 7.98 |
| | kW | 0.67 | 0.67 | 0.67 | 0.67 |
| | I | 2.91 | 2.91 | 2.91 | 2.92 |
| 110 | MBtuh | 6.42 | 6.41 | 6.97 | 7.79 |
| | kW | 0.70 | 0.70 | 0.70 | 0.70 |
| | I | 3.03 | 3.04 | 3.03 | 3.03 |
| 115 | MBtuh | 6.28 | 6.27 | 6.76 | 7.59 |
| | kW | 0.73 | 0.73 | 0.72 | 0.73 |
| | I | 3.17 | 3.17 | 3.17 | 3.16 |

LEGEND

EWB — Entering Wet Bulb
I — Compressor Current Amps
kW — Total Power
MBtuh — Total Cooling Capacity (Btuh in thousands)
RH — Relative Humidity

NOTES:

- Total current (I) based on 230-volt system.
- Evaporator entering dry bulb air temperature is 80 F.

ALL 9000 NOMINAL BTUH MODELS

Evaporator entering air temp. — 80 F Evap. air — 260 CFM

| TEMP (F) AIR ENT. COND (40% RH) | | EVAP AIR — EWB (F) | | | |
|---------------------------------|-------|--------------------|-------|-------|-------|
| | | 57.00 | 62.00 | 67.00 | 72.00 |
| 80 | MBtuh | 8.58 | 8.91 | 9.71 | 10.46 |
| | kW | 0.71 | 0.72 | 0.71 | 0.71 |
| | I | 3.14 | 3.14 | 3.13 | 3.12 |
| 85 | MBtuh | 8.44 | 8.72 | 9.56 | 10.48 |
| | kW | 0.75 | 0.75 | 0.74 | 0.74 |
| | I | 3.28 | 3.28 | 3.27 | 3.27 |
| 90 | MBtuh | 8.29 | 8.52 | 9.47 | 10.39 |
| | kW | 0.78 | 0.78 | 0.78 | 0.78 |
| | I | 3.44 | 3.44 | 3.42 | 3.41 |
| 95 | MBtuh | 8.12 | 8.30 | 9.29 | 10.26 |
| | kW | 0.82 | 0.82 | 0.81 | 0.81 |
| | I | 3.59 | 3.60 | 3.58 | 3.56 |
| 100 | MBtuh | 7.94 | 8.07 | 9.06 | 10.07 |
| | kW | 0.85 | 0.85 | 0.85 | 0.85 |
| | I | 3.74 | 3.74 | 3.74 | 3.72 |
| 105 | MBtuh | 7.75 | 7.84 | 8.83 | 9.80 |
| | kW | 0.89 | 0.89 | 0.89 | 0.88 |
| | I | 3.89 | 3.90 | 3.92 | 3.89 |
| 110 | MBtuh | 7.57 | 7.60 | 8.59 | 9.67 |
| | kW | 0.92 | 0.93 | 0.93 | 0.92 |
| | I | 4.06 | 4.07 | 4.10 | 4.06 |
| 115 | MBtuh | 7.38 | 7.38 | 8.32 | 9.41 |
| | kW | 0.96 | 0.97 | 0.97 | 0.97 |
| | I | 4.24 | 4.24 | 4.27 | 4.24 |

LEGEND

EWB — Entering Wet Bulb
I — Compressor Current Amps
kW — Total Power
MBtuh — Total Cooling Capacity (Btuh in thousands)
RH — Relative Humidity

NOTES:

- Total current (I) based on 230-volt system.
- Evaporator entering dry bulb air temperature is 80 F.

52CQ 12,000 NOMINAL BTUH MODELS

Evaporator entering air temp. — 80 F Evap. air — 350 CFM

| TEMP (F) AIR ENT. COND (40% RH) | | EVAP AIR — EWB (F) | | | |
|---------------------------------|-------|--------------------|-------|-------|-------|
| | | 57.00 | 62.00 | 67.00 | 72.00 |
| 80 | MBtuh | 12.44 | 12.74 | 13.61 | 13.84 |
| | kW | 1.06 | 1.06 | 1.05 | 1.02 |
| | I | 4.65 | 4.65 | 4.59 | 4.48 |
| 85 | MBtuh | 12.29 | 12.51 | 13.52 | 13.90 |
| | kW | 1.10 | 1.10 | 1.09 | 1.07 |
| | I | 4.85 | 4.84 | 4.80 | 4.69 |
| 90 | MBtuh | 12.10 | 12.29 | 13.20 | 13.84 |
| | kW | 1.15 | 1.15 | 1.13 | 1.11 |
| | I | 5.05 | 5.05 | 4.98 | 4.91 |
| 95 | MBtuh | 11.89 | 12.01 | 12.97 | 13.70 |
| | kW | 1.20 | 1.20 | 1.18 | 1.17 |
| | I | 5.26 | 5.26 | 5.18 | 5.12 |
| 100 | MBtuh | 11.66 | 11.73 | 12.72 | 13.34 |
| | kW | 1.25 | 1.25 | 1.23 | 1.21 |
| | I | 5.48 | 5.48 | 5.40 | 5.31 |
| 105 | MBtuh | 11.43 | 11.48 | 12.40 | 13.12 |
| | kW | 1.30 | 1.30 | 1.28 | 1.26 |
| | I | 5.70 | 5.70 | 5.62 | 5.52 |
| 110 | MBtuh | 11.19 | 11.23 | 12.20 | 12.98 |
| | kW | 1.35 | 1.35 | 1.33 | 1.31 |
| | I | 5.94 | 5.94 | 5.86 | 5.76 |
| 115 | MBtuh | 10.94 | 10.98 | 11.91 | 12.73 |
| | kW | 1.41 | 1.41 | 1.39 | 1.37 |
| | I | 6.18 | 6.18 | 6.10 | 6.00 |

LEGEND

EWB — Entering Wet Bulb
I — Compressor Current Amps
kW — Total Power
MBtuh — Total Cooling Capacity (Btuh in thousands)
RH — Relative Humidity

NOTES:

- Total current (I) based on 230-volt system.
- Evaporator entering dry bulb air temperature is 80 F.

52PC,PE,CE 12,000 NOMINAL BTUH MODELS

Evaporator entering air temp. — 80 F Evap. air — 350 CFM

| TEMP (F) AIR ENT. COND (40% RH) | | EVAP AIR — EWB (F) | | | |
|---------------------------------|-------|--------------------|-------|-------|-------|
| | | 57.00 | 62.00 | 67.00 | 72.00 |
| 80 | MBtuh | 12.17 | 12.50 | 12.83 | 13.23 |
| | kW | 1.07 | 1.07 | 1.05 | 1.03 |
| | I | 4.73 | 4.74 | 4.65 | 4.57 |
| 85 | MBtuh | 11.95 | 12.35 | 12.72 | 13.19 |
| | kW | 1.11 | 1.11 | 1.10 | 1.08 |
| | I | 4.93 | 4.95 | 4.86 | 4.79 |
| 90 | MBtuh | 11.74 | 12.10 | 12.62 | 13.06 |
| | kW | 1.16 | 1.16 | 1.15 | 1.13 |
| | I | 5.14 | 5.16 | 5.08 | 5.00 |
| 95 | MBtuh | 11.54 | 11.90 | 12.50 | 12.95 |
| | kW | 1.21 | 1.21 | 1.20 | 1.17 |
| | I | 5.36 | 5.38 | 5.31 | 5.21 |
| 100 | MBtuh | 11.37 | 11.68 | 12.35 | 12.80 |
| | kW | 1.26 | 1.26 | 1.25 | 1.23 |
| | I | 5.58 | 5.60 | 5.54 | 5.45 |
| 105 | MBtuh | 11.19 | 11.47 | 12.17 | 12.63 |
| | kW | 1.31 | 1.31 | 1.30 | 1.28 |
| | I | 5.81 | 5.83 | 5.78 | 5.68 |
| 110 | MBtuh | 11.04 | 11.28 | 11.93 | 12.44 |
| | kW | 1.37 | 1.37 | 1.35 | 1.33 |
| | I | 6.06 | 6.07 | 6.01 | 5.92 |
| 115 | MBtuh | 10.86 | 11.02 | 11.59 | 12.19 |
| | kW | 1.42 | 1.42 | 1.41 | 1.39 |
| | I | 6.31 | 6.31 | 6.25 | 6.17 |

LEGEND

EWB — Entering Wet Bulb
I — Compressor Current Amps
kW — Total Power
MBtuh — Total Cooling Capacity (Btuh in thousands)
RH — Relative Humidity

NOTES:

- Total current (I) based on 230-volt system.
- Evaporator entering dry bulb air temperature is 80 F.

COOLING PERFORMANCE (cont)

52PQ 12,000 NOMINAL BTUH MODELS

Evaporator entering air temp. — 80 F Evap. air — 350 CFM

| TEMP (F) | AIR ENT. COND (40% RH) | EVAP AIR — EWB (F) | | | |
|----------|------------------------|--------------------|-------|-------|-------|
| | | 57.00 | 62.00 | 67.00 | 72.00 |
| 80 | MBtuh | 11.79 | 11.95 | 12.65 | 13.17 |
| | kW | 0.97 | 0.97 | 0.95 | 0.93 |
| | I | 4.29 | 4.27 | 4.17 | 4.08 |
| 85 | MBtuh | 11.60 | 11.74 | 12.48 | 12.97 |
| | kW | 1.02 | 1.02 | 1.00 | 0.97 |
| | I | 4.49 | 4.48 | 4.38 | 4.27 |
| 90 | MBtuh | 11.39 | 11.49 | 12.28 | 12.79 |
| | kW | 1.07 | 1.07 | 1.04 | 1.02 |
| | I | 4.69 | 4.68 | 4.59 | 4.48 |
| 95 | MBtuh | 11.17 | 11.24 | 12.05 | 12.58 |
| | kW | 1.12 | 1.12 | 1.09 | 1.07 |
| | I | 4.90 | 4.90 | 4.80 | 4.69 |
| 100 | MBtuh | 11.66 | 10.97 | 11.78 | 12.33 |
| | kW | 1.17 | 1.17 | 1.14 | 1.12 |
| | I | 5.12 | 5.12 | 5.02 | 4.91 |
| 105 | MBtuh | 12.16 | 10.70 | 11.50 | 12.04 |
| | kW | 1.22 | 1.22 | 1.20 | 1.17 |
| | I | 5.34 | 5.34 | 5.25 | 5.13 |
| 110 | MBtuh | 12.69 | 10.45 | 11.17 | 11.75 |
| | kW | 1.27 | 1.27 | 1.25 | 1.22 |
| | I | 5.57 | 5.57 | 5.48 | 5.36 |
| 115 | MBtuh | 13.23 | 10.19 | 10.83 | 11.39 |
| | kW | 1.32 | 1.32 | 1.30 | 1.27 |
| | I | 5.81 | 5.81 | 5.72 | 5.59 |

LEGEND

EWB — Entering Wet Bulb
I — Compressor Current Amps
kW — Total Power
MBtuh — Total Cooling Capacity (Btuh in thousands)
RH — Relative Humidity

NOTES:

- Total current (I) based on 230-volt system.
- Evaporator entering dry bulb air temperature is 80 F.

ALL 15,000 NOMINAL BTUH MODELS

Evaporator entering air temp. — 80 F Evap. air — 320 CFM

| TEMP (F) | AIR ENT. COND (40% RH) | EVAP AIR — EWB (F) | | | |
|----------|------------------------|--------------------|-------|-------|-------|
| | | 57.00 | 62.00 | 67.00 | 72.00 |
| 80 | MBtuh | — | 14.77 | 15.82 | 16.74 |
| | kW | — | 1.39 | 1.36 | 1.33 |
| | I | — | 6.09 | 6.00 | 5.85 |
| 85 | MBtuh | — | 14.55 | 15.63 | 16.59 |
| | kW | — | 1.45 | 1.43 | 1.40 |
| | I | — | 6.38 | 6.27 | 6.14 |
| 90 | MBtuh | — | 14.20 | 15.39 | 16.39 |
| | kW | — | 1.53 | 1.49 | 1.46 |
| | I | — | 6.72 | 6.56 | 6.43 |
| 95 | MBtuh | 12.98 | 13.85 | 15.08 | 16.15 |
| | kW | 1.67 | 1.61 | 1.56 | 1.53 |
| | I | 7.32 | 7.05 | 6.85 | 6.73 |
| 100 | MBtuh | 12.78 | 13.51 | 14.79 | 15.85 |
| | kW | 1.74 | 1.68 | 1.63 | 1.60 |
| | I | 7.63 | 7.37 | 7.16 | 7.03 |
| 105 | MBtuh | 12.51 | 13.03 | 14.39 | 15.48 |
| | kW | 1.81 | 1.75 | 1.70 | 1.67 |
| | I | 7.95 | 7.68 | 7.48 | 7.35 |
| 110 | MBtuh | 12.24 | 12.54 | 13.91 | 15.04 |
| | kW | 1.88 | 1.82 | 1.78 | 1.75 |
| | I | 8.27 | 8.00 | 7.80 | 7.67 |
| 115 | MBtuh | 11.95 | 12.05 | 13.54 | 14.53 |
| | kW | 1.96 | 1.89 | 1.85 | 1.82 |
| | I | 8.62 | 8.32 | 8.14 | 8.00 |

LEGEND

EWB — Entering Wet Bulb
I — Compressor Current Amps
kW — Total Power
MBtuh — Total Cooling Capacity (Btuh in thousands)
RH — Relative Humidity

NOTES:

- Total current (I) based on 230-volt system.
- Evaporator entering dry bulb air temperature is 80 F.

COOLING SENSIBLE HEAT FACTORS (SHF) AT 80 F INDOOR DB

| MODEL 52PC,PE,PQ,CE,CQ | INDOOR WB (F) | OUTDOOR AMBIENT DB TEMPERATURE (F) | | | | | | | |
|---|---------------|------------------------------------|------|------|------|------|------|------|------|
| | | 80 | 85 | 90 | 95 | 100 | 105 | 110 | 115 |
| All 7,000 Nominal Btuh Models | 57 | 0.91 | 0.91 | 0.91 | 0.91 | 0.91 | 0.90 | 0.90 | 0.90 |
| | 62 | 0.89 | 0.90 | 0.91 | 0.91 | 0.92 | 0.92 | 0.91 | 0.91 |
| | 67 | 0.71 | 0.72 | 0.72 | 0.74 | 0.74 | 0.75 | 0.76 | 0.77 |
| | 72 | 0.53 | 0.53 | 0.54 | 0.54 | 0.54 | 0.55 | 0.55 | 0.56 |
| All 9,000 Nominal Btuh Models | 57 | 0.93 | 0.93 | 0.93 | 0.93 | 0.92 | 0.92 | 0.92 | 0.92 |
| | 62 | 0.86 | 0.87 | 0.88 | 0.89 | 0.90 | 0.91 | 0.92 | 0.92 |
| | 67 | 0.67 | 0.67 | 0.68 | 0.70 | 0.70 | 0.70 | 0.71 | 0.72 |
| | 72 | 0.51 | 0.51 | 0.51 | 0.51 | 0.52 | 0.52 | 0.52 | 0.53 |
| 52CQ 12,000 Nominal Btuh Models | 57 | 0.94 | 0.94 | 0.94 | 0.94 | 0.94 | 0.94 | 0.94 | 0.94 |
| | 52 | 0.88 | 0.89 | 0.91 | 0.92 | 0.93 | 0.93 | 0.93 | 0.93 |
| | 67 | 0.69 | 0.69 | 0.70 | 0.70 | 0.71 | 0.72 | 0.73 | 0.74 |
| | 72 | 0.50 | 0.51 | 0.52 | 0.52 | 0.53 | 0.53 | 0.54 | 0.54 |
| 52CE,PC,PE 12,000 Nominal Btuh Models | 57 | 0.92 | 0.91 | 0.90 | 0.90 | 0.90 | 0.90 | 0.90 | 0.90 |
| | 62 | 0.89 | 0.89 | 0.90 | 0.90 | 0.91 | 0.92 | 0.92 | 0.92 |
| | 67 | 0.68 | 0.69 | 0.70 | 0.72 | 0.72 | 0.73 | 0.74 | 0.75 |
| | 72 | 0.51 | 0.51 | 0.51 | 0.51 | 0.52 | 0.53 | 0.53 | 0.54 |
| 52PQ 12,000 Nominal Btuh Models | 57 | 0.93 | 0.93 | 0.93 | 0.93 | 0.93 | 0.93 | 0.93 | 0.93 |
| | 62 | 0.89 | 0.90 | 0.91 | 0.92 | 0.93 | 0.93 | 0.93 | 0.93 |
| | 67 | 0.69 | 0.70 | 0.71 | 0.71 | 0.72 | 0.73 | 0.74 | 0.75 |
| | 72 | 0.51 | 0.51 | 0.52 | 0.52 | 0.53 | 0.53 | 0.53 | 0.54 |
| All 15,000 Nominal Btuh Models | 57 | — | — | — | 0.91 | 0.91 | 0.91 | 0.91 | 0.90 |
| | 62 | 0.86 | 0.86 | 0.86 | 0.87 | 0.88 | 0.89 | 0.90 | 0.91 |
| | 67 | 0.67 | 0.67 | 0.68 | 0.68 | 0.69 | 0.70 | 0.71 | 0.71 |
| | 72 | 0.50 | 0.50 | 0.51 | 0.51 | 0.51 | 0.52 | 0.52 | 0.53 |

LEGEND

DB — Dry Bulb
WB — Wet Bulb

SOUND DATA (52P AND 52C)

INDOOR SOUND DATA (52P AND 52C)

The tables below indicate the approximate indoor and outdoor sound levels. Tests were conducted in the Carrier Sound Testing Laboratory according to ARI (Air Conditioning and Refrigeration Institute) Noise Rating Standard 300 for non-ducted indoor air-conditioning equipment.

INDOOR SOUND ESTIMATING TABLE

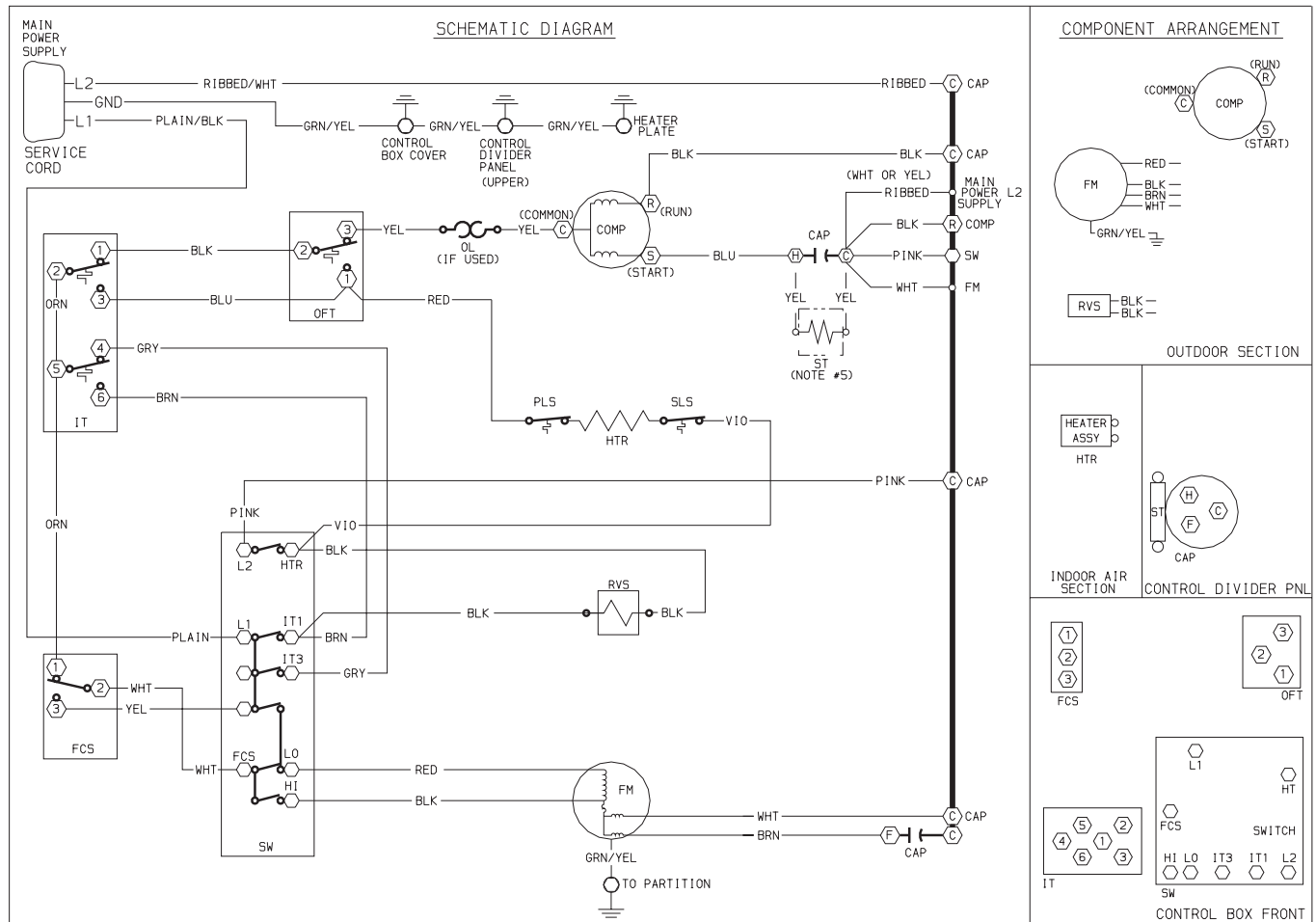
| OPERATING MODE | VOLTS | INDOOR SOUND ESTIMATING TABLE (dBA) | | | | | | | | INDOOR SOUND ESTIMATING TABLE (BELS) | | | | | | | |
|----------------|-------|-------------------------------------|------|-------|-------|-------------------|------|-------|-------|--------------------------------------|------|-------|-------|-------------------|------|-------|-------|
| | | Nominal Sizes (Btuh) | | | | | | | | Nominal Sizes (Btuh) | | | | | | | |
| | | 52PQ and 52CQ | | | | 52PC, PE and 52CE | | | | 52PQ and 52CQ | | | | 52PC, PE and 52CE | | | |
| | | 7000 | 9000 | 12000 | 15000 | 7000 | 9000 | 12000 | 15000 | 7000 | 9000 | 12000 | 15000 | 7000 | 9000 | 12000 | 15000 |
| LOW COOL | 208 | 52.6 | 51.2 | 55.2 | 59.3 | 51.4 | 54.4 | 55.4 | 59.3 | 5.3 | 5.1 | 5.5 | 5.9 | 5.1 | 5.4 | 5.5 | 5.9 |
| | 230 | 54.5 | 54.2 | 57.6 | 59.3 | 54.4 | 56.5 | 57.4 | 59.3 | 5.5 | 5.4 | 5.8 | 5.9 | 5.4 | 5.7 | 5.7 | 5.9 |
| | 265 | 54.5 | 53.9 | 57.6 | 59.3 | 54.4 | 55.4 | 57.4 | 59.3 | 5.5 | 5.4 | 5.8 | 5.9 | 5.4 | 5.5 | 5.7 | 5.9 |
| HIGH COOL | 208 | 57.1 | 57.1 | 61.4 | 63.7 | 56.9 | 58.9 | 61.8 | 63.7 | 5.7 | 5.7 | 6.1 | 6.4 | 5.7 | 5.9 | 6.2 | 6.4 |
| | 230 | 57.9 | 57.8 | 63.0 | 63.7 | 57.9 | 58.8 | 63.0 | 63.7 | 5.8 | 5.8 | 6.3 | 6.4 | 5.8 | 5.9 | 6.3 | 6.4 |
| | 265 | 57.9 | 58.9 | 63.0 | 63.7 | 57.9 | 58.3 | 63.0 | 63.7 | 5.8 | 5.9 | 6.3 | 6.4 | 5.8 | 5.8 | 6.3 | 6.4 |
| FAN | 208 | 56.3 | 57.1 | 61.1 | 63.7 | 56.3 | 57.1 | 61.1 | 63.7 | 5.6 | 5.7 | 6.1 | 6.4 | 5.6 | 5.7 | 6.1 | 6.4 |
| | 230 | 57.2 | 57.7 | 62.4 | 63.7 | 57.2 | 57.7 | 62.4 | 63.7 | 5.7 | 5.8 | 6.2 | 6.4 | 5.7 | 5.8 | 6.2 | 6.4 |
| | 265 | 57.2 | 57.1 | 62.4 | 63.7 | 57.2 | 57.1 | 62.4 | 63.7 | 5.7 | 5.7 | 6.2 | 6.4 | 5.7 | 5.7 | 6.2 | 6.4 |
| LOW HEAT | 208 | 50.7 | 53.7 | 55.4 | 59.5 | 50.8 | 50.8 | 54.5 | 58.8 | 5.1 | 5.4 | 5.5 | 6.0 | 5.1 | 5.1 | 5.5 | 5.9 |
| | 230 | 53.9 | 53.8 | 59.5 | 59.5 | 54.1 | 54.1 | 57.7 | 58.8 | 5.4 | 5.4 | 6.0 | 6.0 | 5.4 | 5.4 | 5.8 | 5.9 |
| | 265 | 53.9 | 53.8 | 59.5 | 59.5 | 54.1 | 53.6 | 57.7 | 58.8 | 5.4 | 5.4 | 6.0 | 6.0 | 5.4 | 5.4 | 5.8 | 5.9 |
| HIGH HEAT | 208 | 56.5 | 56.2 | 61.9 | 65.0 | 56.3 | 57.1 | 61.1 | 63.7 | 5.7 | 5.6 | 6.2 | 6.5 | 5.6 | 5.7 | 6.1 | 6.4 |
| | 230 | 57.2 | 57.8 | 63.0 | 65.0 | 57.2 | 57.7 | 62.4 | 63.7 | 5.7 | 5.8 | 6.3 | 6.5 | 5.7 | 5.8 | 6.2 | 6.4 |
| | 265 | 57.2 | 57.8 | 63.0 | 65.0 | 57.2 | 57.1 | 62.4 | 63.7 | 5.7 | 5.8 | 6.3 | 6.5 | 5.7 | 5.7 | 6.2 | 6.4 |

OUTDOOR SOUND ESTIMATING TABLE

| OPERATING MODE | VOLTS | OUTDOOR SOUND ESTIMATING TABLE (dBA) | | | | | | | | OUTDOOR SOUND ESTIMATING TABLE (BELS) | | | | | | | |
|----------------|-------|--------------------------------------|------|-------|-------|-------------------|------|-------|-------|---------------------------------------|------|-------|-------|-------------------|------|-------|-------|
| | | Nominal Sizes (Btuh) | | | | | | | | Nominal Sizes (Btuh) | | | | | | | |
| | | 52PQ and 52CQ | | | | 52PC, PE and 52CE | | | | 52PQ and 52CQ | | | | 52PC, PE and 52CE | | | |
| | | 7000 | 9000 | 12000 | 15000 | 7000 | 9000 | 12000 | 15000 | 7000 | 9000 | 12000 | 15000 | 7000 | 9000 | 12000 | 15000 |
| LOW COOL | 208 | 53.9 | 52.6 | 54.9 | 61.1 | 51.0 | 53.1 | 55.5 | 61.1 | 5.4 | 5.3 | 5.5 | 6.1 | 5.1 | 5.3 | 5.6 | 6.1 |
| | 230 | 55.3 | 55.0 | 57.7 | 61.1 | 54.2 | 56.3 | 57.7 | 61.1 | 5.5 | 5.5 | 5.8 | 6.1 | 5.4 | 5.6 | 5.8 | 6.1 |
| | 265 | 55.3 | 55.0 | 57.7 | 61.1 | 54.2 | 55.2 | 57.7 | 61.1 | 5.5 | 5.5 | 5.8 | 6.1 | 5.4 | 5.5 | 5.8 | 6.1 |
| HIGH COOL | 208 | 56.7 | 57.7 | 60.1 | 64.4 | 56.2 | 57.6 | 60.2 | 64.4 | 5.7 | 5.8 | 6.0 | 6.4 | 5.6 | 5.8 | 6.0 | 6.4 |
| | 230 | 58.9 | 58.9 | 62.2 | 64.4 | 57.2 | 58.7 | 62.6 | 64.4 | 5.9 | 5.9 | 6.2 | 6.4 | 5.7 | 5.9 | 6.3 | 6.4 |
| | 265 | 58.9 | 58.1 | 62.2 | 64.4 | 57.2 | 58.8 | 62.6 | 64.4 | 5.9 | 5.8 | 6.2 | 6.4 | 5.7 | 5.9 | 6.3 | 6.4 |
| FAN | 208 | 55.5 | 57.7 | 61.3 | 64.0 | 55.5 | 57.7 | 61.3 | 64.0 | 5.6 | 5.8 | 6.1 | 6.4 | 5.6 | 5.8 | 6.1 | 6.4 |
| | 230 | 56.4 | 58.7 | 63.0 | 64.0 | 56.4 | 58.7 | 63.0 | 64.0 | 5.6 | 5.9 | 6.3 | 6.4 | 5.6 | 5.9 | 6.3 | 6.4 |
| | 265 | 56.4 | 58.7 | 63.0 | 64.0 | 56.4 | 58.8 | 63.0 | 64.0 | 5.6 | 5.9 | 6.3 | 6.4 | 5.6 | 5.9 | 6.3 | 6.4 |
| LOW HEAT | 208 | 54.7 | 54.3 | 57.8 | 63.9 | 51.2 | 51.2 | 55.0 | 58.7 | 5.5 | 5.4 | 5.8 | 6.4 | 5.1 | 5.1 | 5.5 | 5.9 |
| | 230 | 57.6 | 57.3 | 59.7 | 63.9 | 54.8 | 54.8 | 57.9 | 58.7 | 5.8 | 5.7 | 6.0 | 6.4 | 5.5 | 5.5 | 5.8 | 5.9 |
| | 265 | 57.6 | 56.6 | 59.7 | 63.9 | 54.8 | 54.9 | 57.9 | 58.7 | 5.8 | 5.7 | 6.0 | 6.4 | 5.5 | 5.5 | 5.8 | 5.9 |
| HIGH HEAT | 208 | 58.2 | 59.6 | 62.2 | 66.5 | 55.5 | 57.9 | 61.3 | 64.0 | 5.8 | 6.0 | 6.2 | 6.7 | 5.6 | 5.8 | 6.1 | 6.4 |
| | 230 | 59.9 | 60.4 | 63.8 | 66.5 | 56.4 | 58.7 | 63.0 | 64.0 | 6.0 | 6.0 | 6.4 | 6.7 | 5.6 | 5.9 | 6.3 | 6.4 |
| | 265 | 59.9 | 57.8 | 63.8 | 66.5 | 56.4 | 58.8 | 63.0 | 64.0 | 6.0 | 5.8 | 6.4 | 6.7 | 5.6 | 5.9 | 6.3 | 6.4 |

SOUND TRANSMISSION CLASS (STC) = 25

WIRING DIAGRAMS (52P AND 52C)



COMPONENT LEGEND

| | |
|-------------|--|
| | Component Connection (Marked) |
| | Component Connection (Unmarked) |
| | Accessory or Optional Wiring To Indicate Common Potential Only Not To Represent Wire |
| | |
| CAP | Capacitor |
| COMP | Compressor |
| FM | Fan Motor |
| FCS | Fan Cycle Switch |
| HTR | Heater |
| IT | Indoor Thermostat |
| OFT | Outdoor Frost Thermostat |
| OL | Overload |
| PLS | Primary Limit Switch |
| RVS | Reversing Valve Solenoid |
| SLS | Secondary Limit Switch |
| ST | Start Thermistor |
| SW | Switch |

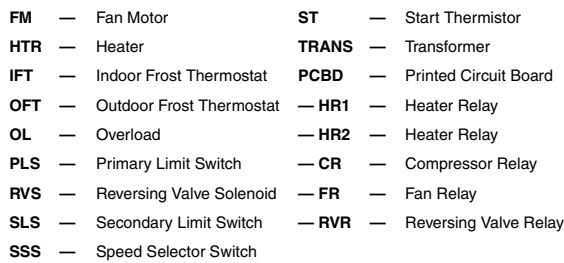
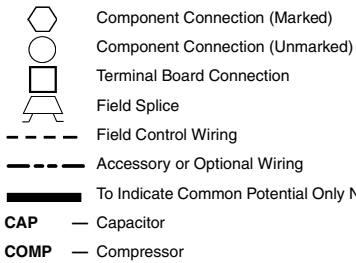
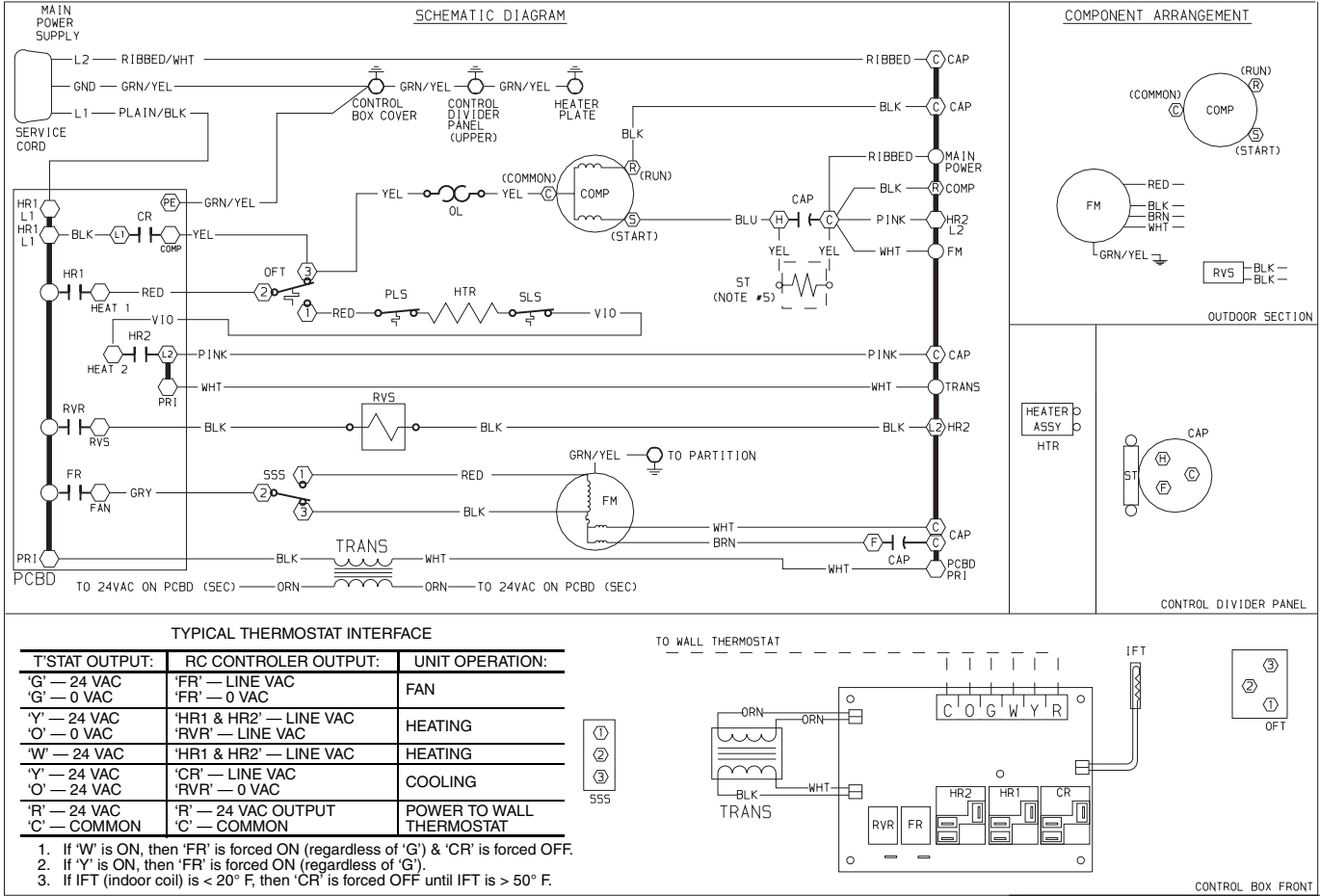
NOTES:

1. Recommended for use on grounded power supply only.
2. Compressor and fan motor thermally protected. Use copper conductors only.
3. All wiring must conform with N.E.C. and local codes.
4. Dashed lines indicate components when used.
5. OFT determines whether to bring on compressor heat or electric heat.

| POSITION | CONTACTS MADE |
|------------------|---------------------------------|
| SELECTOR SWITCH | |
| OFF | NONE |
| FAN | L1 TO L0 |
| L0 HEAT | L1 TO IT1, FCS TO L0, L2 TO HTR |
| HI HEAT | L1 TO IT1, FCS TO HI, L2 TO HTR |
| L0 COOL | L1 TO IT3, FCS TO L0 |
| HI COOL | L1 TO IT3, FCS TO HI |
| FAN CYCLE SWITCH | |
| CYCLE | 1 TO 2 |
| CONSTANT | 3 TO 2 |

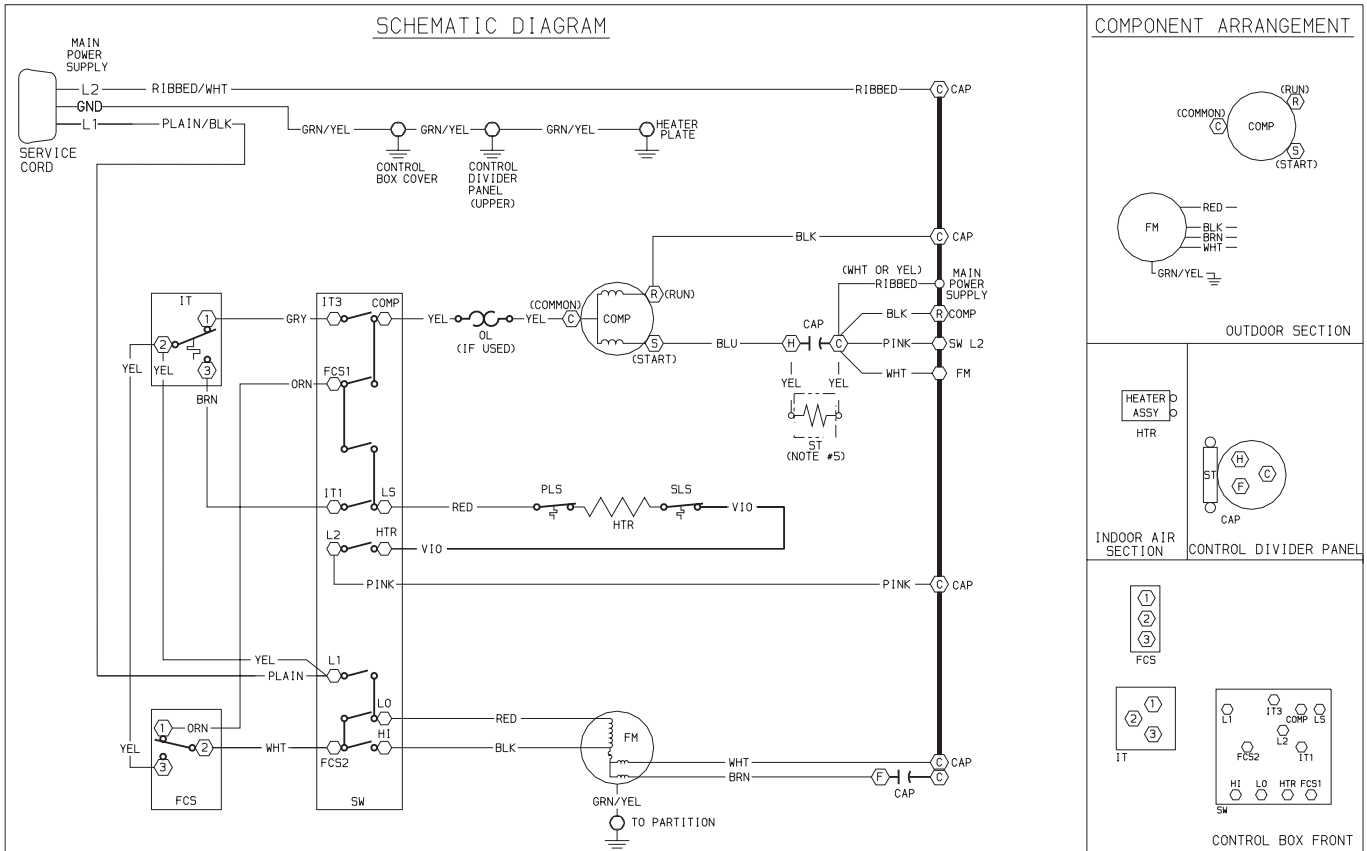
52PQ and 52CQ — Typical Wiring Schematic for Standard Heat Pump Units

WIRING DIAGRAMS (52P AND 52C) (cont)



- NOTES:**
1. Recommended for use on grounded power supply only.
 2. Compressor and fan motor thermally protected.
 3. Use copper conductors only.
 4. All wiring must conform with N.E.C. and local codes.
 5. Dashed lines indicate components when used.
 6. Field control wire suitable for N.E.C. class 2 control circuit, at 24 volts.
 7. OFT determines whether to bring on compressor heat or electric heat.

52PQ and 52CQ — Typical Wiring Schematic for Wall Thermostat Control Heat Pump Units



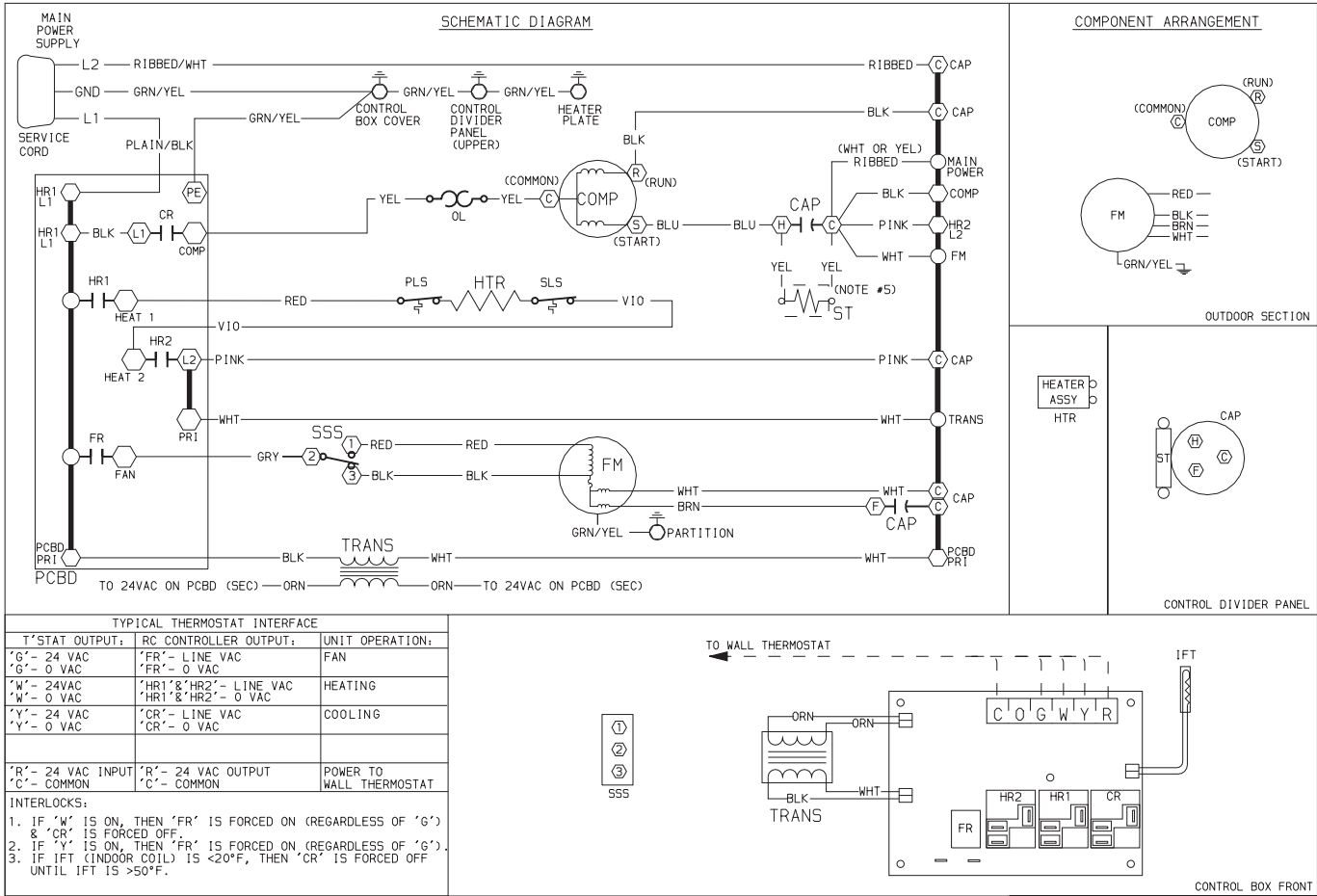
- #### COMPONENT LEGEND
- COMPONENT CONNECTION (MARKED)
 - COMPONENT CONNECTION (UNMARKED)
 - - - ACCESSORY OR OPTIONAL WIRING
 - TO INDICATE COMMON POTENTIAL ONLY
NOT TO REPRESENT WIRE
 - CAP CAPACITOR
 - COMP COMPRESSOR
 - FM FAN MOTOR
 - FCS FAN CYCLE SWITCH
 - HTR HEATER
 - IT INDOOR THERMOSTAT
 - OL OVERLOAD
 - PLS PRIMARY LIMIT SWITCH
 - SLS SECONDARY LIMIT SWITCH
 - ST START THERMISTOR
 - SW SWITCH

- #### NOTES:
1. RECOMMENDED FOR USE ON GROUNDED POWER SUPPLY ONLY.
 2. COMPRESSOR AND FAN MOTOR THERMALLY PROTECTED.
 3. USE COPPER CONDUCTORS ONLY.
 4. ALL WIRING MUST CONFORM WITH N.E.C. AND LOCAL CODES.
 5. DASHED LINES INDICATE COMPONENTS WHEN USED.

| POSITION | CONTACTS MADE |
|------------------|--|
| SELECTOR SWITCH | |
| OFF | NONE |
| FAN | L1 TO H1, FCS1 TO LS |
| LO HEAT | FCS2 TO LO, IT1 TO LS, L2 TO HTR, FCS1 TO LS |
| HI HEAT | FCS2 TO H1, IT1 TO LS, L2 TO HTR, FCS1 TO LS |
| LO COOL | FCS2 TO LO, COMP TO FCS1, COMP TO IT3 |
| HI COOL | FCS2 TO H1, COMP TO FCS1, COMP TO IT3 |
| FAN CYCLE SWITCH | |
| CYCLE | 1 TO 2 |
| CONTINUOUS | 3 TO 2 |

52PE and 52CE — Typical Wiring Schematic for Standard Heat/Cool Units

WIRING DIAGRAMS (52P AND 52C) (cont)



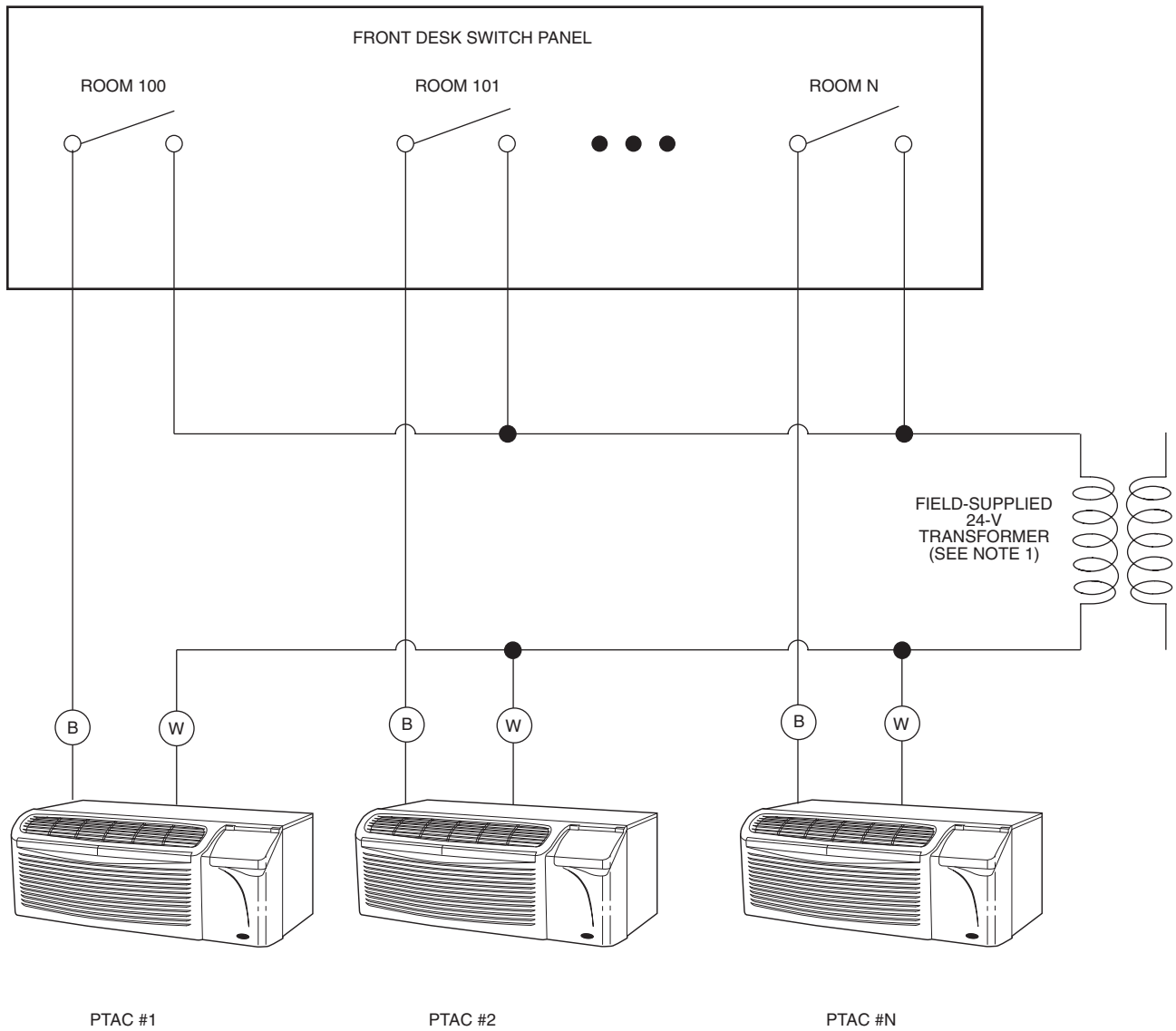
COMPONENT LEGEND

| | | | | | |
|-----|-----------------------------------|------|-------------------------|-------|-----------------------|
| ○ | COMPONENT CONNECTION (MARKED) | CAP | CAPACITOR | TRANS | TRANSFORMER |
| ○ | COMPONENT CONNECTION (UNMARKED) | COMP | COMPRESSOR | PCBD | PRINTED CIRCUIT BOARD |
| □ | TERMINAL BOARD CONNECTION | FM | FAN MOTOR | - HR1 | HEATER RELAY |
| ⊕ | FIELD SPLICE | HTR | HEATER | - HR2 | HEATER RELAY |
| — | FIELD CONTROL WIRING | IFT | INDOOR FROST THERMISTOR | - CR | COMPRESSOR RELAY |
| --- | ACCESSORY OR OPTIONAL WIRING | OL | OVERLOAD | - FR | FAN RELAY |
| — | TO INDICATE COMMON POTENTIAL ONLY | PLS | PRIMARY LIMIT SWITCH | | |
| --- | NOT TO REPRESENT WIRE | SLS | SECONDARY LIMIT SWITCH | | |
| | | SSS | SPEED SELECTOR SWITCH | | |
| | | ST | START THERMISTOR | | |

NOTES:

- RECOMMENDED FOR USE ON GROUNDING POWER SUPPLY ONLY.
- COMPRESSOR AND FAN MOTOR THERMALLY PROTECTED.
- USE COPPER CONDUCTORS ONLY.
- ALL WIRING MUST CONFORM WITH N.E.C. AND LOCAL CODES.
- DASHED LINES INDICATE COMPONENT WHEN USED.
- FIELD CONTROL WIRE SUITABLE FOR N.E.C. CLASS 2 CONTROL CIRCUIT, AT 24 VOLTS.

52PE and 52CE — Typical Wiring Schematic for Wall Thermostat Control Heat/Cool Units



LEGEND

- AWG** — American Wire Gage
- B** — Black
- PTAC** — Packaged Terminal Air Conditioner
- W** — White

NOTES:

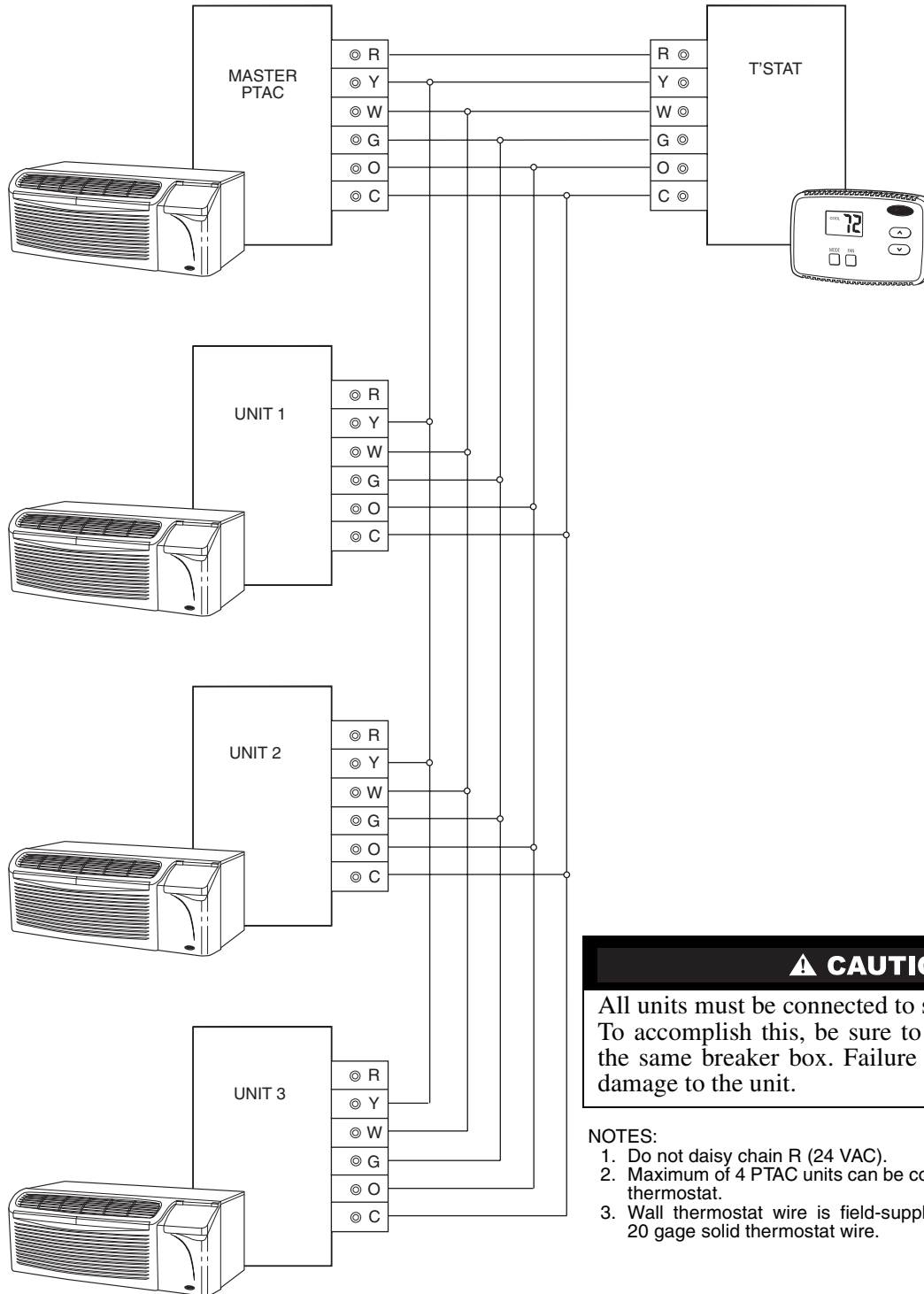
1. To size transformer, use the following equation:
Quantity of PTAC units x 12 va = Transformer Size (va)
Example: 110 PTAC Units x 12 va = 1320 va Transformer

2. Following are recommended wire sizes:

| AWG WIRE SIZE NO. | MAXIMUM LENGTH (ft) |
|-------------------|---------------------|
| 24 | 400 |
| 22 | 600 |
| 20 | 900 |
| 18 | 1500 |
| 16 | 2000 |

Typical Wiring Schematic for Energy Management Kit

WIRING DIAGRAMS (52P AND 52C) (cont)



Typical Wiring for Multiple PTAC Units Connected to a Single Wall Thermostat

GUIDE SPECIFICATIONS

PACKAGED TERMINAL COOLING UNIT WITH HEAT PUMP OR ELECTRIC HEATING

HVAC Guide Specifications

Size Range: Cooling: 6,900 to 15,100 Btuh
Heating: 6,000 to 14,100 Btuh Heat Pump
6,400 to 17,000 Btuh Electric

Carrier Model Numbers:

52PC Premier Series, Cooling Only

52PE Premier Series, Cooling with Electric Heat

52PQ Premier Series, Heat Pump with Electric Heat

52CE Comfort Series, Cooling with Electric Heat

52CQ Comfort Series, Heat Pump with Electric Heat

Part 1 — General

1.01 SYSTEM DESCRIPTION

Single piece, thru-the-wall electrically controlled unit using hermetic rotary compressor for cooling and heat pump or electric resistance heat, as shown on the contract drawings.

A. Insulated Polymer Wall Sleeve:

Wall sleeve shall provide excellent thermal insulation, be textured to hide scratches and prevent shine, will have superior outdoor noise absorption and shall be corrosion free for the life of the product. The Wall Sleeve must have dimensions of 42 in. width x 16 in. height x $14\frac{7}{8}$ in. depth and be shipped with a rear weather barrier installed.

B. Wall Sleeve Molding:

Molding shall trim the wall sleeve to the existing wall, to hide wall imperfections and irregularities in the wall opening.

C. Outdoor Polymer Louvered Grille:

Outdoor grille shall resist corrosion, breakage and match the color specified on drawing schedule and specifications.

D. Subbase:

Subbase will support the wall sleeve when it extends into the room more than 4 inches. Subbase must come from the factory pre-assembled, with a built in receptacle (size as specified on drawing schedule and specifications) or with factory-installed hardwire, pre-sized for an exact fit to the unit.

1.02 QUALITY ASSURANCE

System shall be approved and certified by UL and UL, Canada. Chassis capacity and efficiency performance shall be certified in accordance with ARI standard 310/380. Chassis shall meet ASHRAE Standard 90.1 for minimum energy efficiency.

Chassis shall meet the New York City Department of Building, Material and Equipment acceptance requirement (MEA).

1.03 DELIVERY, STORAGE, AND HANDLING

- A. The packaging of the chassis shall be sufficient to protect the chassis from damage during shipment via an enclosed truck. Chassis must also be able to withstand an impact force of 10 g's and a random continuous force of 1g, during shipping.
- B. Chassis, wall sleeves, and grilles shall be shipped in separate cartons. Universal handling instructions shall be defined and visible on the carton, from front, back and sides.
- C. Chassis shall be capable of withstanding temperatures from -40 F to 155 F, at 5 to 95 percent RH, non-condensing, during shipment and storage, without component failure.
- D. Unit shall be stored and handled per manufacturer's recommendations.

Part 2 — Products

2.01 EQUIPMENT

A. General:

Factory-assembled, single-piece heating and/or cooling unit. Contained within the unit enclosure shall be compressor, coils, fans and fan motor, heating means, controls, all wiring and piping, and a full refrigerant charge (R-22).

Packaged Terminal Air Conditioners shall be of the sizes and capacities as shown on the contract drawing schedule and in the specifications.

B. Chassis:

The chassis shall be a factory-assembled, single-piece heating and/or cooling unit, that is simple to install and operate. Just slide the chassis into a wall sleeve, plug it into an outlet, and operate after installation. The chassis dimensions shall not exceed 42 in. wide and 16 in. high with room cabinet in place. The chassis shall consist of the following functional sections and components:

1. Operating Characteristics:

Chassis shall be capable of starting and running at 115 F ambient outdoor temperature per maximum load criteria of ARI Standard 310/380.

2. Electrical:

Chassis shall be equipped with a 58 in. power cord for 208/230 v models or a 15 in. power cord for 265 v models. The chassis current draw shall be specified on the chassis nameplate and match electrical requirements specified on the Contract drawing schedule and specifications. The power cord plug configuration shall conform to NEMA standards and the rating shall support the current draw of the electric resistance heater.

For 265 v installations, UL codes require the use of an electrical equipped subbase for power cord usage or hardwire conduit for non-corded installations.

C. Airflow System:

The airflow system shall consist of one permanent split-capacitor, direct-drive permanently lubricated, two-speed fan motor for the indoor and outdoor fans. The outdoor fan shall be a dynamically balanced, corrosion-resistant polymer multi-blade

GUIDE SPECIFICATIONS (cont)

axial flow design, with integrated slinger ring. The indoor fan shall be a dynamically balanced, polymer, reverse curve blower wheel, to assure uniform air distribution. The Fan Motor shall be of an enclosed design to reduce the effects of moisture and corrosion.

D. Compressor and Refrigerant:

The rotary-type Compressor shall be fully hermetic with internal and external vibration isolation. The refrigeration system will be sealed and contain a full refrigerant charge (R-22).

E. Coils:

Condenser and evaporator coils to be constructed of high-efficiency, 11 element lance sine wave enhanced aluminum fins and $\frac{3}{8}$ -in. seamless axial grooved copper tubing, necessary to achieve EER and COP rating, as specified on the chassis nameplate.

F. Factory-Installed Electric Heater:

The factory-installed, open coil type, electric heater is standard in heat/cool and heat pump chassis. The electric heater shall contain both an automatic reset and a one-shot overtemperature protection device. The heating capacity of the electric heater shall be as identified on the Contract drawing schedule and in the specifications.

G. Controls:

All standard models shall be equipped with electro-mechanical controls to simplify the serviceability of the unit.

1. The chassis shall have standard controls, accessible and covered by a hinged door. The mode selection control shall consist of a mechanical rotary selector switch, which provides OFF, FAN ONLY, HEAT or COOL operations. The temperature selection control shall be an adjustable thermostat with upper and lower limits.
2. All standard models shall have a continuous/fan cycle selector switch located behind the front panel. It shall allow the selection of continuous fan operation for maximum comfort or cycle operation (fan only runs with cooling or heating operation) for maximum energy savings.
3. All standard models shall have a Temperature Limiter control located behind the front panel. The temperature limiter allows a room temperature range to be set, to avoid extreme temperature settings, to maximize energy savings.
4. Emergency Heat Switch (Heat Pump Models Only) shall disable the compressor in heating mode and only allow the use of electric heat during heating cycles. The Emergency Heat switch is active at all outdoor ambient temperatures.
5. Wall thermostat chassis (RC and RP models) shall come from the factory ready for wall thermostat installation, including a blank out plate in place of the control knobs. No field-installed kits or wire harnesses shall be required.
6. Wall thermostat chassis (RC and RP models) shall have a user selectable fan speed control

switch, on the control panel, to optimize fan speed for maximum comfort.

H. Safeties:

Compressor shall have automatic reset, overtemperature and overcurrent protection. The fan motor shall have an inherent, automatic reset overtemperature protection. The electric heater shall have two overtemperature protectors.

I. Front Panel (supplied with chassis):

Front panel shall be constructed of a polymer material to resist breakage and corrosion. It shall have a front louvered surface with integrated control door and air filters. The air filters shall be easily accessible without removing the front panel from the chassis.

J. Anti-Theft Control Knobs:

All chassis knobs shall resist breakage and corrosion. They shall be mounted on to the control box section and captured behind the front panel, to prevent unauthorized removal.

K. Bi-Directional Discharge Grille:

Bi-directional polymer discharge grille shall resist corrosion and breakage. It shall be easily set to direct air at 40 degrees from horizontal or 80 degrees from horizontal. This non-metallic discharge grille shall be cool to the touch during the heating cycle.

L. Ventilation:

The chassis shall have a manual adjustable fresh air vent with a concealed manual control. The vent control shall allow a maximum of 50 cfm of fresh air to be drawn into the room when the indoor fan is operating and the door is open. The ventilation air can be increased to approximately 95 cfm by adding the Booster Ventilation accessory kit (see section Q.13)

M. High-Efficiency Condensate Removal System:

The chassis shall have a condensate removal system consisting of a condensate suction port, to draw and atomize condensate, and a slinger ring integrated in the outdoor fan, to disperse condensate onto the condenser coil to be evaporated.

N. Snow Baffle:

The chassis shall contain a snow baffle to prevent melting snow from freezing and potentially damaging the outdoor fan.

O. Corrosion Protection (CP and RP Models Only):

Chassis with Corrosion Protection (CP,RP) shall be used for coastal or corrosive environments, to prolong the life of the product. Minimum requirements are:

1. All outdoor-exposed sheet metal parts shall be coated with a polyester powder coat paint.
2. Compressor and outdoor-fan motor finish shall be capable of withstanding 500 hours of salt spray testing per ASTM B-117.
3. Compressor mounting screws shall be SermaGuard™ coated.
4. Outdoor coil fin stock shall be coated and able to withstand 1000 hours of salt spray testing per ASTM B-117.
5. Outdoor coil tube sheets shall be made of 316L stainless steel.

P. Lateral Duct System (optional):

The lateral duct system shall allow one system to heat or cool two adjacent rooms, with up to a maximum of 30% of the discharge air being diverted to the adjoining room (a return air path must be provided from the adjoining room). The lateral duct kit consists of two main components, the plenum and the extension duct. In addition, the kit includes an adjustable chassis discharge air grille, adjustable wall register and decorative wall molding for duct extension.

The Lateral Duct system shall be adaptable for either right or left side ducting, with a maximum duct extension of 4 feet. The duct run must be straight and horizontal; no bends or turns.

Q. Accessories:

1. Insulated Polymer Wall Sleeve (P/N: SLEEVE-INSUL-1PK) shall be made from a molded polymer, with factory-installed Styrofoam insulation and a minimum flammability rating of UL94-5V. The sleeve surface shall be textured to prevent shine and hide scratches.
2. Deep Wall Metal Wall Sleeve (up to 28-in.) (P/N: SLEEVE-EXTxx-1PK) shall be a one-piece, extended wall sleeve, with factory installed insulation and deep wall baffles integrated.
3. Sleeve Molding (P/N: SLEEVE-MOLDING) shall trim the wall sleeve to the existing wall to hide wall joints and irregularities due to the sleeve opening.
4. Architectural Grille (P/N: GRILLE-PLA-xxxxx or GRILLE-ALU-xxxxx) shall be polymeric for long durable life or painted aluminum for a superior color match to the building.
5. Subbase (P/N: SUBBASE-xxxV-xxA) shall be pre-assembled from the factory and UL listed. Subbase options include:
Non-electrical subbase: The non-electrical subbase shall be pre-assembled and provides mechanical support and requires no wiring.
Electrical subbase: The electrical subbase shall be pre-assembled with factory-installed electrical junction box containing a receptacle for corded units.
Hardwired subbase: The hardwired electrical subbase shall be pre-assembled with factory installed electrical junction box containing 19 in. of flexible conduit (for a perfect fit to the unit) and all mating connections.
6. Leveling Legs (P/N: LEVELING-LEGS) shall attach easily to Carrier's wall sleeve to provide accurate, adjustable leveling and support to units without a subbase.
7. Hardwire Kit (P/N: HARDWIRE-KIT) shall provide a permanent connection to the unit.

The hardwire kit mounts on the front right side of the unit and shall have 36 in. of flexible steel conduit and a Molex connector for easy connect/disconnect.

8. Conduit Interface Kit (P/N: CONDUIT-INTF-4PK) shall provide wire connection to the unit to interface with field-supplied conduit.
9. Condensate Drain (P/N: DRAIN-KIT-4PK) kit shall be used internally or externally to route excess condensate to a drainage system. It can be field-installed on any Carrier wall sleeve. The drain kit shall be attached to the exterior right or left side of the wall sleeve for external draining or may be mounted to the bottom of the wall sleeve for internal draining.
10. Lateral Duct (P/N: LATERAL-DUCT) kit shall include an adapter plenum, extension duct, wall register and wall molding. The lateral duct system allows one system to heat or cool two adjacent rooms, by directing up to 30% of the airflow to the adjacent room. See section 4.0 for detailed specification.
11. Energy Management (P/N: EM-KIT) shall allow individual units to be turned on and off from a remote location or by a motion sensing device. This kit interfaces to most energy management systems.
12. Lateral Air Deflector (P/N: DEFLECTOR-1PK) shall allow right or left air distribution from the chassis. Lateral air deflectors are recommended for units mounted in a corner or off-center in a room.
13. Curtain Deflector (P/N: CURTDEL-52CP-1PK) shall prevent curtains from being blown into the discharge air.
14. Security door (P/N: SECURITY-DOOR) kit shall prevent unauthorized access to the unit's heating and cooling controls and prevents tampering with units in public locations and institutions. The security door shall include two matching keys and keys shall be common to all Carrier Security Door kits.
15. Wall Thermostats (P/N: TSTATCCBxx01-B) shall operate with 24 VAC, be digital and non-programmable, easy-to-use and provide maximum guest comfort.
16. Sleeve Molding (P/N: SLEEVE-MOLDING) shall trim the wall sleeve to the existing wall to hide wall joints and irregularities due to the sleeve opening.
17. Power Fresh Air Vent (P/N: PWR-VENT-DOORxxx) kit shall provide approximately 95 cfm of outdoor air for ventilation into the room. The kit shall have an automatically door that opens when the fan is on and closes when the fan is off.

TYPICAL WARRANTY

Carrier Packaged Terminal Air Conditioner Warranty

FULL ONE-YEAR WARRANTY — During the first year after purchase, CARRIER will, through its authorized independent servicing dealers or service stations*, and free of charge to the user or subsequent users, repair or replace any parts which are defective in material or workmanship. The replacement part can be a new or remanufactured part as provided at CARRIER'S sole option.

FULL EXTENDED FOUR-YEAR WARRANTY ON SEALED REFRIGERATION SYSTEM ONLY — During the second through fifth years after date of original purchase, CARRIER will, through its authorized servicing dealers and service stations* and free of charge to the end user or subsequent users, repair or replace the compressor, condenser, evaporator or connecting tubing if defective in material or workmanship. This includes system refrigeration charge. The replacement part can be new or a remanufactured part as provided at CARRIER'S sole option.

LIMITED EXTENDED FOUR-YEAR WARRANTY ON NON-SEALED REFRIGERATION SYSTEM ONLY — During the second through fifth years after date of original purchase, Carrier will, through its authorized servicing dealers and service stations and free of charge to the end user or subsequent users, repair or replace any non-sealed system part (motor, solenoid, thermostat, relay, switch, capacitor, overload, drain valve, bulb heater, fan, stator) if defective in material or workmanship. The replacement part can be new or a remanufactured part at CARRIER'S sole option. THIS LIMITED WARRANTY DOES NOT INCLUDE LABOR, user is responsible for labor, including cost of diagnosis of problem, removal and transportation of the air conditioner to and from the service center, and reinstallation charges necessary to accomplish repair.

LIMITATION OF WARRANTIES — ALL IMPLIED WARRANTIES (INCLUDING IMPLIED WARRANTIES OF MERCHANTABILITY) ARE HEREBY LIMITED IN DURATION TO THE PERIOD FOR WHICH EACH LIMITED WARRANTY IS GIVEN AND APPLIES. SOME STATES DO NOT ALLOW LIMITATIONS ON HOW LONG AN IMPLIED WARRANTY LASTS, SO THE ABOVE LIMITATION MAY NOT APPLY TO YOU. THE EXPRESSED WARRANTIES MADE IN THIS WARRANTY ARE EXCLUSIVE AND MAY NOT BE ALTERED, ENLARGED, OR CHANGED BY ANY DISTRIBUTOR, DEALER, OR OTHER PERSON WHATSOEVER.

ALL WORK UNDER THE TERMS OF THIS WARRANTY SHALL BE PERFORMED DURING NORMAL WORKING HOURS. ALL REPLACEMENT PARTS, WHETHER NEW OR REMANUFACTURED, ASSUME AS THEIR WARRANTY PERIOD ONLY THE REMAINING TIME PERIOD OF THIS WARRANTY.

CARRIER WILL NOT BE RESPONSIBLE FOR:

1. **CLEANING REQUIRED PRIOR TO WARRANTY REPAIR.**
2. Standard maintenance, cleaning or damage resulting from failure to perform normal maintenance as outlined in the owner's manual.
3. Instruction on methods of control and use of air conditioning unit after initial installation.
4. Damage or repairs needed as a consequence of faulty installation or application. This is the responsibility of the installer.
5. Failure to start due to voltage conditions, blown fuses, open circuit breakers or any other damages due to the inadequacy or interruption of electrical services.
6. Damage or repairs needed as a consequence of any misapplication, abuse, unauthorized alteration, improper servicing or operation.
7. Damage as a result of floods, winds, fires, lightning, accidents, corrosive environment, or other conditions beyond the control of CARRIER.
EXCEPTION TO CORROSIVE ENVIRONMENT IN ABOVE PARAGRAPH — Packaged terminal units (52 Series) built with corrosion protection are exempt from the exclusion — "Corrosive Environment." The unit model number is identified on the nameplate with a CP suffix.
8. Reimbursement for replacement parts or repair services which are not supplied or designated by CARRIER and which are specifically covered under this warranty.
9. CARRIER products installed outside the continental U.S.A., Alaska, Hawaii and Canada.
10. Shipping damage or damage as a result of transporting the unit. This is the responsibility of the selling dealer or the authorized Room Air Conditioner service station.
11. **ANY SPECIAL, INDIRECT OR CONSEQUENTIAL PROPERTY OR COMMERCIAL DAMAGE OF ANY NATURE WHATSOEVER.** Some states do not allow the exclusion or limitation of incidental or consequential damages, so the above limitation or exclusion may not apply to you.
12. Warranty coverage of accessory items (wall thermostats, wall sleeves, etc.).

NOTE: Service and Maintenance items excluded in this warranty may be covered by a separate service agreement through the seller at time of purchase.

*Authorized independent dealers or service stations are registered with Carrier Air Conditioning through its distributor organization.

This warranty gives you specific legal rights, and you may also have other rights which vary from state to state.

Catalog No. 530-122 (Rev. 3/02)

Carrier Corporation

IF YOUR AIR CONDITIONER DOES NOT WORK, FOLLOW THESE STEPS IN ORDER:

1. CHECK THE THINGS YOU CAN DO YOURSELF. These include being sure the air conditioner is plugged in firmly in an appropriate receptacle, checking the fuse or circuit breaker and ensuring its replacement or resetting, if necessary, and rereading the instruction book to ensure that all controls are set properly. By doing this you can save money. Many unnecessary service calls result in the serviceman doing what the owner can do for him or herself.
2. CONTACT YOUR DEALER OR THE RECOMMENDED CARRIER AUTHORIZED SERVICE CENTER. They have been set up to handle the great majority of all possible service problems. The quickest, surest and best way to get your air conditioner back in service is to use this step before proceeding further.
3. CONTACT THE CARRIER DISTRIBUTOR SERVING YOUR AREA. Your dealer can provide the distributor's name or you can consult your yellow pages.
4. CONTACT CARRIER IF A SATISFACTORY SOLUTION IS NOT REACHED IN STEPS 2 AND 3.
Carrier Air Conditioning
Consumer Relations Department
Carrier Parkway, P.O. Box 4808
Syracuse, New York 13221
Telephone: 1-800-894-6449

ACCESSORY LIST

| ACCESSORY | FORM NUMBER | PART NUMBER | DESCRIPTION | |
|--|------------------------------|---|--|--|
| Wall Sleeves | 52S-48SI | WALL-SLEEVE-1PK WALL-SLEEVE-9PK SLEEVE-INSUL-1PK | Non-Insulated Polymer Wall Sleeve, 1 per pack Non-Insulated Polymer Wall Sleeve, 9 per pack Insulated Polymer Wall Sleeve, 1 per pack | |
| | 52S-50SI | SLEEVE-STEEL-1PK | Insulated Metal Wall Sleeve, 1 per pack | |
| | 52S-49SI | SLEEVE-EXT18-1PK SLEEVE-EXT24-1PK SLEEVE-EXT26-1PK SLEEVE-EXT28-1PK | Extended Metal Wall Sleeve for Deep Wall Applications (18 in. deep), 1 per pack Extended Metal Wall Sleeve for Deep Wall Applications (24 in. deep), 1 per pack Extended Metal Wall Sleeve for Deep Wall Applications (26 in. deep), 1 per pack Extended Metal Wall Sleeve for Deep Wall Applications (28 in. deep), 1 per pack | |
| | N/A | SLEEVE-MOLDING | Molding kit to trim the wall sleeve to the wall | |
| | 52C,P-26SI | FR-SLEEVE-EXT | Friedrich wall sleeve extension to retrofit Carrier PTAC unit into Friedrich 11 ¹ / ₂ " deep (T Series) wall sleeve. 1 per pack | |
| | 52C,P-28SI | CM-SLEEVE-EXT | Climate Master Wall Sleeve extension to retrofit Carrier PTAC unit into Climate Master 12 ¹ / ₂ " deep wall sleeve. 1 per pack | |
| Exterior Grilles* | 52S-59SI | GRILLE-ALU-STAMP | Stamped Aluminum Exterior Grille, Clear Finish | |
| | 52S-65SI | GRILLE-PLA-BROWN GRILLE-PLA-BEIGE GRILLE-PLA-ALPIN | Polymer Architectural Rear Grille, Brown Polymer Architectural Rear Grille, Beige Polymer Architectural Rear Grille, Alpine (matches Carrier Wall Sleeve) | |
| | 52S-60SI | GRILLE-ALU-CLEAR GRILLE-ALU-WHITE GRILLE-ALU-BRONZ GRILLE-ALU-MBRNZ GRILLE-ALU-BROWN GRILLE-ALU-BEIGE GRILLE-ALU-ALPIN GRILLE-ALU-PEACH GRILLE-ALU-MELON GRILLE-ALU-LGREY GRILLE-ALU-SGREY GRILLE-ALU-RDBRK GRILLE-ALU-BLUE GRILLE-ALU-GREEN | Aluminum Architectural Exterior Grille, Clear Finish Aluminum Architectural Exterior Grille, White Aluminum Architectural Exterior Grille, Light Bronze Aluminum Architectural Exterior Grille, Medium Bronze Aluminum Architectural Exterior Grille, Brown (Dark Bronze) Aluminum Architectural Exterior Grille, Beige Aluminum Architectural Exterior Grille, Alpine (matches Carrier Wall Sleeve) Aluminum Architectural Exterior Grille, Peach Aluminum Architectural Exterior Grille, Melon Aluminum Architectural Exterior Grille, Light Grey Aluminum Architectural Exterior Grille, Slate Gray Aluminum Architectural Exterior Grille, Red Brick Aluminum Architectural Exterior Grille, Blue Aluminum Architectural Exterior Grille, Green | |
| | 52C,P-31SI | BAFFLE-KIT-1PK | Ensures good air seal and prevents air recirculation when Carrier sleeve is used with a non-Carrier grille. | |
| | 52C,P-1SI | SUBBASE-NON-ELEC | Non-electrical Subbase | |
| | 52C,P-2SI | SUBBASE-230V-15A SUBBASE-230V-20A SUBBASE-230V-30A | Electrical subbase with factory-installed 208/230V, 15 amp receptacle Electrical subbase with factory-installed 208/230V, 20 amp receptacle Electrical subbase with factory-installed 208/230V, 30 amp receptacle | |
| | 52C,P-17SI | SUBBASE-265V-15A SUBBASE-265V-20A SUBBASE-265V-30A | Electrical subbase with factory-installed 265V, 15 amp receptacle Electrical subbase with factory-installed 265V, 20 amp receptacle Electrical subbase with factory-installed 265V, 30 amp receptacle | |
| | 52C,P-3SI | SUBBASE-HARDWIRE | Electrical subbase with factory-installed hardwire kit (230/208V and 265V) | |
| | Subbase Field-Installed Kits | 52C,P-4SI | SUBBASE-SWITCH | Field-Installable Switch kit for an electrical subbase |
| | | 52C,P-5SI | SUBBASE-FUSE-15A SUBBASE-FUSE-20A SUBBASE-FUSE-30A | Field-Installed Fuse Kit (15 amp) for electrical subbase Field-Installed Fuse Kit (20 amp) for electrical subbase Field-Installed Fuse Kit (30 amp) for electrical subbase |
| | | 52C,P-29SI | LEVELING-LEGS | Attaches to wall sleeve for accurate and adjustable leveling and support for units without a subbase |
| | Electrical Connections | 52C,P-11SI | HARDWIRE-KIT-1PK | Permanent power connection to the unit (includes 36" of flexible conduit and unit-mounted connector, 230/208V and 265V) 1 per pack |
| | | 52C,P-19SI | CONDUIT-INTF-4PK | Interface kit for field-supplied conduit to provide permanent power connection (230/208V and 265V) to the unit. Kit includes Molex connector for easy connect/disconnect. 4 per pack |
| Condensate Drain Kit | 52S-53SI | DRAIN-KIT-4PK | Attaches to wall sleeve for controlled internal or external disposal of condensate-4 per pack | |
| Wall Thermostats | N/A | HH01AD045 TSTATCCBPC01-B TSTATCCBPH01-B TSTATCCPAC01-B TSTATCCHP01-B | Electro-mechanical Wall Thermostat (Heat/Cool and Heat Pump) Value Series Electronic Thermostat w/Digital display (Heat/Cool Models) Value Series Electronic Thermostat w/Digital display (Heat Pump Models) 7-Day Programmable Electronic Thermostat (Heat/Cool Models) 7-Day Programmable Electronic Thermostat (Heat Pump Models) | |
| Wall Thermostat Interface Retrofit Kit | 52C,P-30SI | RC-FIELDKIT230HC RC-FIELDKIT230HP RC-FIELDKIT265HC RC-FIELDKIT265HP | Field-installed wall thermostat retrofit kit to convert a standard 230V Heat/Cool unit to an RC unit. Wall thermostat sold separately (can be used to convert a cool only unit to RC). Field-installed wall thermostat retrofit kit to convert a standard 230V Heat Pump unit to an RC unit. Wall thermostat sold separately. Field-installed wall thermostat retrofit kit to convert a standard 265V Heat/Cool unit to an RC unit. Wall thermostat sold separately (can be used to convert a cool only unit to RC). Field-installed wall thermostat retrofit kit to convert a standard 265V Heat Pump unit to a RC unit. Wall thermostat sold separately. | |
| | 52C,P-34SI | 2SPEED-TSTAT-KIT 2SPEED-RCFAN-KIT | Field-installed automatic heat/cool changeover thermostat with 2-speed fan control at thermostat. Multiple fan speed control relay only. Thermostat is not included. | |
| | N/A | TSTAT-COVER-6X7 | Clear plastic locking thermostat cover prevents unauthorized access to thermostat. Cover for use with non-programmable and electro-mechanical thermostats. Outside dimensions: 6 ¹ / ₂ " x 7 ¹ / ₂ " x 2 ¹⁵ / ₁₆ ". 1 per pack | |
| | N/A | TSTAT-COVER-7X10 | Clear plastic locking thermostat cover prevents unauthorized access to thermostat. Cover for use with programmable thermostats. Outside dimensions: 7 ¹ / ₄ " x 9 ³ / ₄ " x 3 ³ / ₈ ". 1 per pack | |
| | Replacement Filters | N/A | AIR-FILTER-10PK | Replacement air filters in package of 10 |
| Energy Management | 52C,P-24SI | EM-KIT | Allows unit to be turned on and off from a remote location (includes freeze guard protection) | |
| Locking Security Control Door | 52C,P-23SI | SECURITY-DOOR | Key-locking security door to prevent access to heating and cooling controls | |
| Lateral Duct Kit | 52C,P-25SI | LATERAL-DUCT | Ductwork to allow one unit to heat and cool two rooms (plenum plus extension duct and registers) | |
| Power Vent Retrofit Kit | 52C,P-32SI | PWR-VENT-DOOR230 PWR-VENT-DOOR265 | Power vent with automatic door that opens and closes when the fan turns on and off (230V). Power vent with automatic door that opens and closes when the fan turns on and off (265V). | |
| Air/Curtain Deflector | 52C,P-9SI | DEFLECTOR-1PK | Lateral air deflector, with individually adjustable louvers, to enhance air circulation, 1 per pack | |
| | 52C,P-21SI | CURTDFL-52CP-1PK | Curtain deflector for 52C and 52P models — prevents curtains from blowing into discharge air stream. 1 per pack. NOTE: Curtain deflector for previous models are also available. Contact Carrier Representative. | |
| Touch-Up Paint | N/A | CARRIER-TOUCH-UP | Touch up paint for repainting scratches or chips. | |

*Custom colors are also available.

Free Manuals Download Website

<http://myh66.com>

<http://usermanuals.us>

<http://www.somanuals.com>

<http://www.4manuals.cc>

<http://www.manual-lib.com>

<http://www.404manual.com>

<http://www.luxmanual.com>

<http://aubethermostatmanual.com>

Golf course search by state

<http://golfingnear.com>

Email search by domain

<http://emailbydomain.com>

Auto manuals search

<http://auto.somanuals.com>

TV manuals search

<http://tv.somanuals.com>