

**|C|D|A|**

**Integrated  
Dishwasher  
CW493 BL/WH/SS**

**Users Operating Instructions**

**Before operating this appliance,  
please read these instructions carefully**



# Guarantee

CDA appliance carry a five-year parts and one-year labour guarantee.

CDA will repair or replace any defect or part attributable to faulty material or workmanship. Within the first year this will be free of both labour and parts charges. After the first year and within five years, the parts will be supplied free of charge provided that the repair is carried out by an agent authorised by CDA and the labour will be charged at the commercial rate applicable at the time of repair.

The appliance must have been installed by a suitably qualified person and in accordance with the manufacturers instructions and current legislation. The guarantee does not cover faults caused by the incorrect fitting of the appliance.


## Limit of Cover

- The guarantee does not cover cosmetic damages e.g. discolouration or oxidation.
- Proof of purchase or installation date must be produced before a service call will be booked.
- The appliance must be used for domestic purposes only. Appliances used for commercial or professional purposes are not covered by this guarantee.
- The appliance must not be modified or tampered with or repair attempted by any unauthorised person.
- The guarantee does not cover damage caused by transit or by misuse, accident, abuse or neglect.
- The guarantee does not cover routine maintenance.
- Use of parts not supplied or recommended by CDA will invalidate the warranty.
- Rubber seals, filters, removable glass parts, control knobs and buttons, fuses and light bulbs which need replacing periodically are not covered by the guarantee.
- Second hand or reconditioned appliances are not covered by the guarantee.

The conditions under which this guarantee is offered are in addition to the statutory rights of the domestic purchaser and these rights are not affected by this guarantee.

CDA reserve the right to change specification without prior notice.



The symbol  on the product or on its packaging indicates that this product may not be treated as household waste. Instead it shall be handed over to the applicable collection point for the recycling of electrical and electronic equipment. By ensuring this product is disposed of correctly, you will help prevent potential negative consequences for the environment and human health, which could otherwise be caused by inappropriate waste handling of this product.

For more detailed information about recycling of this product, please contact your local city office, your household waste disposal service or the shop where you purchased the product.

## IMPORTANT

Carefully read the instructions contained in this manual, as it provides information that is essential to safe and proper installation, use and maintenance of this appliance.

**CE** This appliance complies with following EEC directives:

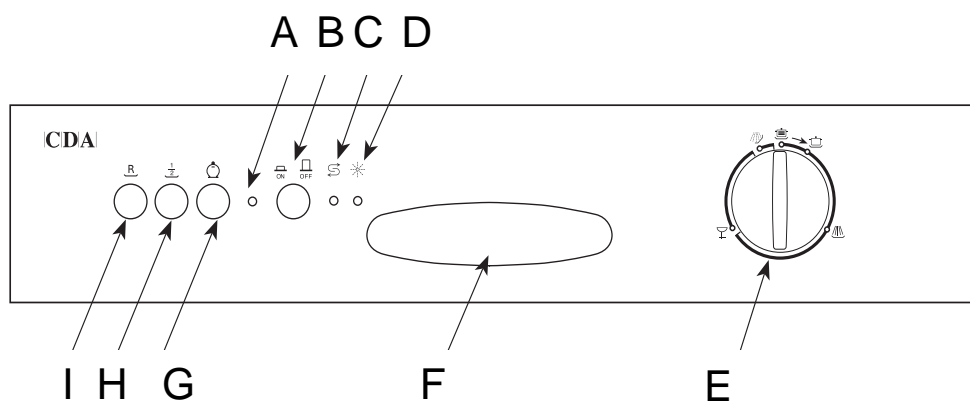
**-73/23/EEC of 19/02/73 (Low Voltage) and subsequent modifications;**

**- 89/336/EEC of 03/05/89 (Electromagnetic Compatibility) and subsequent modifications.**

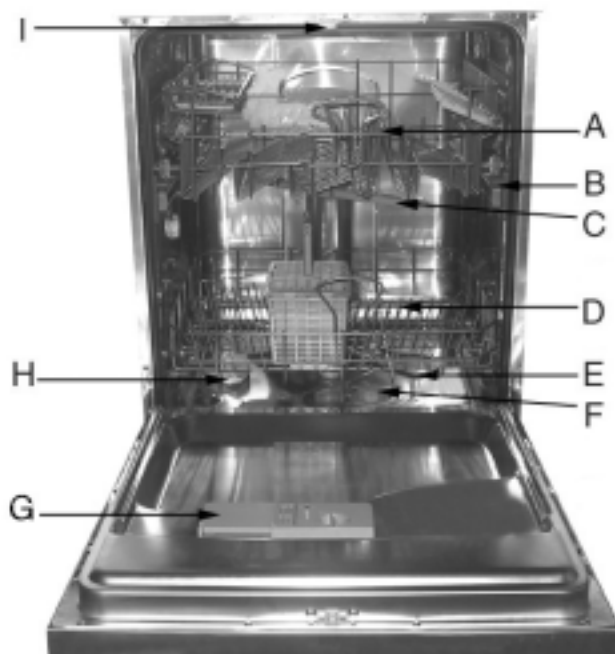
- Carefully dispose of the packing material.
- After removing the packing, check to make sure that the appliance is not damaged. If in doubt, contact a qualified professional.
- The dishwasher must only be used by adults for the washing of household dishes and cooking utensils.
- Fundamental rules to follow when using the appliance:
  - \* Never touch the dishwasher with wet hands;
  - \* We discourage the use of extension cords and multiple sockets;
  - \* During installation, the power supply cord must not be excessively or dangerously bent or flattened;

- \* If the appliance is not operating properly or, requires maintenance, disconnect the appliance from the power supply.
- Keep detergents out of the reach of children. Also keep children away from the dishwasher when it is open to reduce the risk of injury.
- This appliance cannot be installed outdoors, not even if the area in which it is installed is covered by a roof. It is also very dangerous to leave it exposed to the rain and elements.
- Do not touch the heating element during or after a wash cycle.
- Do not lean or sit on the door when it is open, as this could overturn the dishwasher.
- If the appliance malfunctions, turn off water supply to the appliance and disconnect the plug from the wall socket. Then, consult the section entitled, "Troubleshooting." If you cannot resolve the problem, contact a service centre.
- Only specialised personnel are authorised to make repairs.
- Appliances which are being discarded must be made inoperable by cutting the power supply cord and removing the door lock.
- The appliance must be positioned so that the plug is accessible.
- If installing this dishwasher on a carpeted floor, ensure the carpet does not obstruct the opening.
- If the supply cord is damaged, it must be replaced by the manufacturer or an authorised service agent.

## Close-up View (Control Panel)



- |   |                               |   |                         |
|---|-------------------------------|---|-------------------------|
| A | ON-OFF Light                  | F | Handle For Opening Door |
| B | ON-OFF Button                 | G | "Eco" Button            |
| C | Low Salt Indicator Light      | H | "HALF LOAD" Button      |
| D | Low Rinse Aid Indicator Light | I | "RAPID" Button          |
| E | Knob For Selecting Cycle      |   |                         |



- |          |                      |          |                                   |
|----------|----------------------|----------|-----------------------------------|
| <b>A</b> | Upper Rack           | <b>E</b> | Bottom Spray Arm                  |
| <b>B</b> | Rack Height Adjustor | <b>F</b> | Washing Filter                    |
| <b>C</b> | Top Spray Arm        | <b>G</b> | Detergent and Rinse Aid Dispenser |
| <b>D</b> | Lower Rack           | <b>H</b> | Salt Container Cap                |
|          |                      | <b>I</b> | Third Sprayer                     |

## Technical Characteristics

Width	60 cm
Depth	58 cm
Height	82 cm
Capacity	12 standard place settings
Mains water pressure	0.03-0.6 MPa
Power voltage	220-240V~ 50Hz
Total absorber power	2150W

## Salt

The hardness of the water varies from place to place. If hard water is used in the dishwasher, deposits will form on the dishes and utensils.

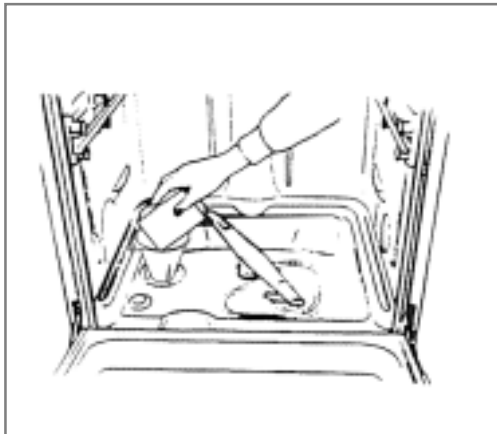
The appliance is equipped with a special softener that uses a salt specifically designed to eliminate lime and minerals from the water.

### Loading the Salt into the Softener

Always use salt intended for use with dishwashers.

The salt container is located beneath the lower rack and should be filled as follows:

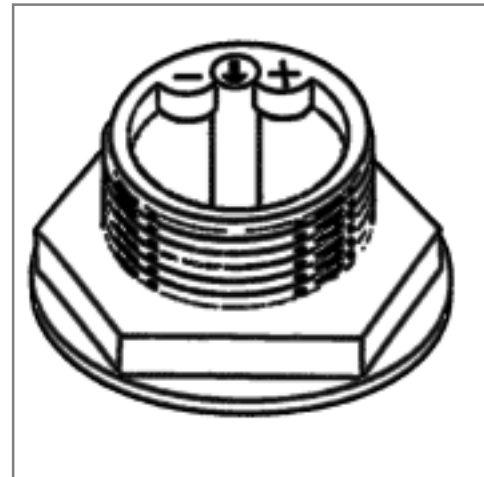
- Remove the lower rack and then unscrew and remove the cap from the salt container;
- If you are filling the container for the first time, fill it with water;
- Place the end of the funnel (supplied) into the hole and introduce about 2 kg of salt. It is normal for a small amount of water to come out of the salt container.
- Carefully screw the cap back on.



### Adjusting Salt Consumption

The dishwasher is designed to allow for adjusting the amount of salt consumed based on the hardness of the water used. This is intended to optimise and customise the level of salt consumption so that it remains at a minimum.

To adjust salt consumption, proceed as follows:



- Unscrew the cap from the salt container;
- There is a ring on the container with an arrow on it (see figure to the side).
- If necessary, rotate the ring in the anticlockwise direction from the "-" setting towards the "+" sign, based on the hardness of the water being used.

It is recommended that adjustments be made in accordance with the following scheme:

The salt container must be filled when the "low salt" indicator light appears on the control panel.

*To prevent the formation of rust, load the salt just before beginning a wash cycle.*

Water Hardness						
Level	Clarke degrees	°dH	mmol/l	Selector position	Salt consumption (Grams/cycle)	Autonomy (cycles/2kg)
1	0 ÷ 14	0 ÷ 17	0 ÷ 1,7	/	0	/
2	14 ÷ 36	18 ÷ 44	1,8 ÷ 4,4	"-"	20	60
3	36 ÷ 71	45 ÷ 89	4,5 ÷ 8,9	MED	40	40
4	>71	>89	>8,9	"+"	60	25

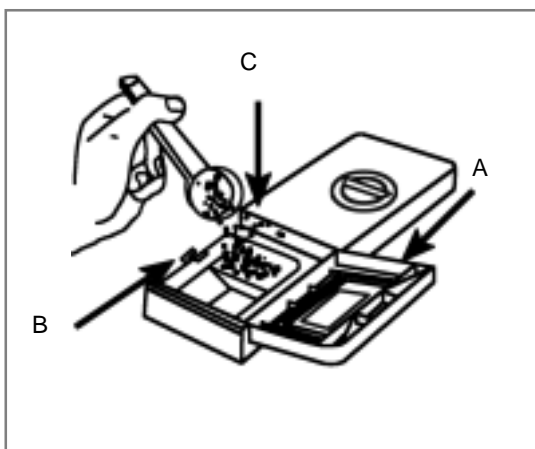
## Detergent

Detergent specifically intended for use with dishwashers must be used. The dispenser must be refilled before the start of each wash cycle following the instructions provided in the "Wash Cycle Table." The detergent dispenser is located on the inside panel the door.

## Loading the detergent

To open the "A" cover on the dispenser, press the "B" button. The detergent for the wash cycle should be poured into the "C" compartment.

After the detergent has been placed in the dispenser, close the cover and press down until it clicks in place.



**NOTE:** To facilitate closing the cover, remove any excess detergent on the edges of the dispenser.

## Rinse Aid

This product makes dishes sparkle and helps them to dry without spotting. The dispenser is located on the inside panel of the door and should be filled after every 80 wash cycle (or when the rinse aid indicator light comes on for models with this feature).

## Loading the Rinse Aid

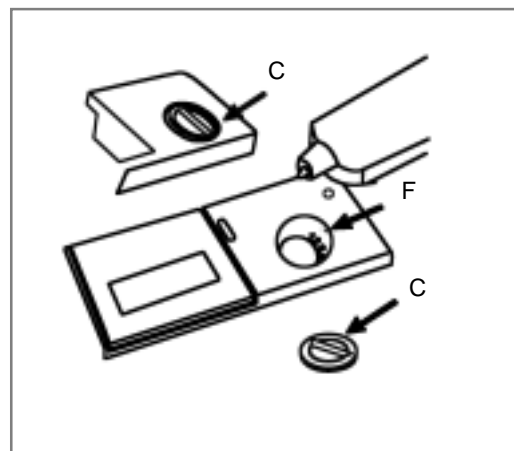
To open the dispenser, turn the "C" cap in an anti-clockwise direction and then pour in the rinse aid, making sure not to overfill. The amount of rinse aid used for each cycle can be regulated by turning the "F" dosage adjuster, located beneath the "C" cap, with a screwdriver. There are 6 different settings; the normal dosage setting is 3.

## Important

*Proper dosage of the rinse aid improves drying.*

*If drops of water remain on the dishes or spotting occurs, the dosage adjuster should be turned to a higher setting.*

*If the dishes have white streaks, turn the dosage adjuster to a lower setting.*



Before placing the dishes in the dishwasher, remove larger food particles to prevent the filter from becoming clogged, which results in reduced performance.

If the pots and pans have baked-on food that is extremely hard to remove, we recommend that they are soaked before washed. This will eliminate the need for extra wash cycles.

Pull out the rack to load the dishwasher.

## How to use the lower rack

We recommend that you place the most difficult to clean items on the bottom rack: pots, pans, lids, serving dishes and bowls, as shown in the figure to the right.

It is preferable to place serving dishes and lids on the sides of the racks in order to avoid blocking the rotation of the top spray arm.

- Pots, serving bowls, etc. must always be placed face down.
- Deep pots should be slanted to allow the water to flow out.
- The silverware basket can be doubled (see fig.A) so that only one section may be used when the silverware load is light. This also makes space for additional pots and pans and it can also be placed in the upper rack.
- Silverware should be placed in the silverware basket with the handles at the bottom; if the rack has side baskets, the spoons should be located individually into the appropriate slots. Especially long utensils should be placed in the horizontal position at the front of the upper rack.

## How to use the upper rack

The upper rack is designed to hold more delicate and lighter dishware, such as glasses, cups and saucers, plates, small bowls and shallow pans (as long as they are not too dirty).

- Position the dishes and cookware so that they do not get moved by the spray of water.

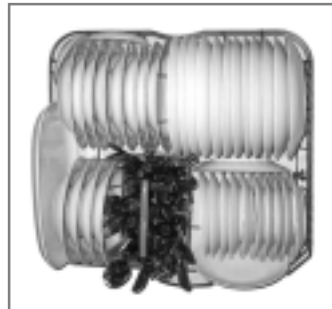
The upper rack can be adjusted for height by using the knobs located on the sides of the rack itself (see fig.B).

## Shelf

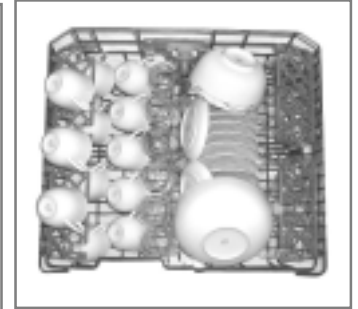
Lean tall glasses and those with long stems against the shelf-not against other items to be washed (see fig.C).

Long items, serving cutlery, salad, servers or knives should be placed on the shelf so that they do not obstruct the rotation of the spray arms. The shelf can be folded back when not required for use.

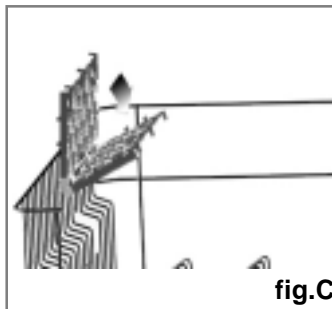
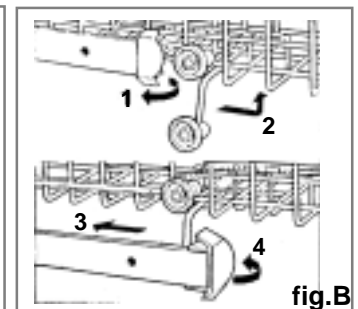
Lower Rack



Upper Rack



Load for 12 Standard Settings

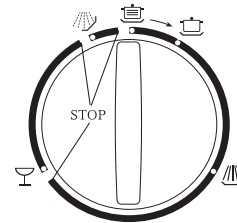




## Starting a wash cycle...

- Make sure that the plug for the appliance is inserted into the wall socket.
- Make sure that the water supply is turned on to full pressure.
- Load the dishwasher (see the section entitled, "Loading the Dishwasher" on page 5).
- Pour in the detergent (see the section entitled, "Salt, Detergent and Rinse Aid" on page 3 and 4).
- Turn the knob located on the right of the control panel in clockwise direction until the number or symbol for the cycle setting is aligned with the reference mark (see the section entitled, "Wash Cycle Table" on page 8).
- Press the ON-OFF button, and the ON-OFF light will turn on. At this point, the wash cycle will begin.

Wait a few minutes before unloading the dishwasher to avoid handling the dishes and utensils while they are still hot and more susceptible to breakage. They will also dry better.



## Canceling or modifying a wash cycle setting...

A cycle that is underway can only be modified if it has been running for a short time. Otherwise, the detergent may have already been used, and the appliance may have already drained the wash water. If this is the case, the detergent dispenser must be refilled (see the paragraph entitled, "Loading the Detergent" on page 4).

Press the ON-OFF button, and the ON light will turn off. Rotate the knob in clockwise direction to the desired cycle setting (see the section entitled: Starting a wash cycle..."). Then, turn the dishwasher back on using the ON-OFF button.

## If you forget to load some of the dishes...

The wash cycle can be interrupted by pressing the ON-OFF button. You can then load additional dishes and turn the appliance back on. The cycle will start where it left off.

## At the end of the wash cycle...

When the knob stops turning and is aligned with a STOP mark (see figure), the cycle has finished. Turn off the appliance using the ON-OFF button, turn off the water supply and open the door of the dishwasher.

# Wash Cycle Adjustment Buttons

## Button

This button (see "close-up View - Control Panel" on page 1, letter "G") is used for normal dirty dishes, pots and pans. It is a standard daily cycle.

It can be used before setting any of the wash cycles, except for the intensive cycles (if included in the wash cycle table). Please keep in mind that the amount of detergent should also be cut in half.

## 1/2 load Button

This button (see "close-up View - Control Panel" on page 1, letter "H") makes it possible to wash dishes using only the upper rack if there are not enough dishes for a full load. This will allow you to save on water and electricity.

## Rapid

This button (see "close-up View - Control Panel" on page 1, letter "I"), when pressed with wash cycle 4 (glassware) make it possible to run the wash cycle at a lower temperature (50°C) and eliminates the drying phase.

- It is important to try and run the dishwasher when it is fully loaded to save on energy. In order to prevent odors from forming and food from caking onto the dishes, you can run the soak cycle.
- Choose the right wash cycle: the choice of cycle depends on the type of dishware, cookware and utensils being washed and how dirty they are.
- Use the right amount of detergent: if you use too much detergent, the result will not be cleaner dishes, but, rather, a greater negative impact on the environment.

## How to Keep Your Dishwasher in Shape

### After Every Wash

After every wash, turn off the water supply to the appliance and leave the door slightly ajar so that moisture and odors are not trapped inside.

### Remove the Plug

Before cleaning or performing maintenance, always remove the plug from the socket.

### No Solvents or Abrasive Cleaning Products

To clean the exterior and rubber parts of the dishwasher, do not use solvents or abrasive cleaning products. Use only a cloth and warm soapy water.

To remove spots or stains from the surface of the interior, use a cloth dampened with water and a little white vinegar, or a cleaning product made specifically for dishwasher.

### Moving the Appliance

If the appliance must be moved, try to keep it in the vertical position. If absolutely necessary, it can be positioned on its back.

### Seals










One of the factors that cause odors to form in the dishwasher is food that remains trapped in the seals. Periodic cleaning with a sponge will prevent this from occurring.

### When You Go on Holiday

When you go on holiday, it is recommended that you run a wash cycle with the dishwasher empty and then remove the plug from the socket, turn off the water supply and leave the door of the appliance slightly ajar. This will help the seals last longer and prevent odors from forming within the appliance.

# Wash Cycle Table

GB

Cycle	Eco Button	Rapid Button	Cycle Selection Information	Description of Cycle	Deter-gent	Rinse Aid
 Intensive Wash			Very dirty dishes, pots and pans (not to be used with delicate items).	Pre-wash with hot water. Rinse with cold water. Extended wash at 60°C. Rinse with hot water at 70°C. Drying.	<b>30g</b>	★
 Intensive Wash	★		Very dirty dishes, pots and pans. (not to be used with delicate items)	Pre-wash with hot water. Rinse with cold water. Extended wash at 50°C. Rinse with hot water at 60°C. Drying.	<b>30g</b>	★
 Normal Wash			Normally dirty dishes, pots and pans. Standard daily cycle.	Rinse with cold water. Extended wash at 60°C. Rinse with hot water at 70°C. Drying.	<b>25g</b>	★
 Normal Wash (IEC-EN50242)	★		Normally dirty dishes, pots and pans. Standard daily cycle.	Rinse with cold water. Extended wash at 50°C. Rinse with hot water at 60°C. Drying.	<b>25g</b>	★
 Rinse			For dishes that need to be rinsed and dried only.	Extended wash at 50°C. Rinse with hot water at 70°C. Drying.		★
 Rinse	★		For dishes that need to be rinsed and dried only.	Extended wash at 50°C. Rinse with hot water at 60°C. Drying.		★
 Glassware	★		Economic, fast cycle to be used for items which are sensitive. Run immediately after dishes are used.	Wash at 50°C. Hot Rinse at 55°C. Drying.	<b>15g</b>	★
 Glassware	★	★	Economic, fast cycle to be used for items which are sensitive. Run immediately after dishes are used.	Wash at 50°C. Rinse with cold water.	<b>15g</b>	
 Soak			Pre-wash of dishes, pots and pans while waiting for the load to be completed after the subsequent meal.	Short cold wash to prevent food residue from drying on the dishes.		

## Filter Assembly

For best performance and results, the filter assembly must be cleaned.

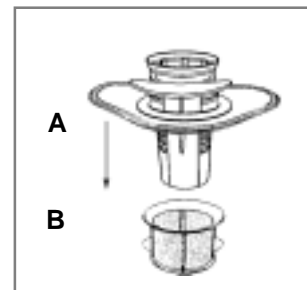
The filter efficiently removes food particles from the wash water, allowing it to be recirculated during the cycle. For this reason, it is a good idea to remove the larger food particles trapped in the filter after each wash cycle by rinsing the "A" semi-circular filter and cup under running water. To remove the filter assembly, pull on the cup handle in an upward direction. The entire filter assembly (made up of the "A" semicircular filter and the "B" fine filter) should be cleaned at least once a month. To clean the filter and the fine filter, use a cleaning brush. Then, reassemble the filter parts as shown in the figures below and inset the entire assembly in the dishwasher, positioning in its seat and pressing downward.

The dishwasher must never be used without the filters. Improper replacement of the filters may reduce performance of the appliance and damage dishes and utensils.



## Cleaning the Spray Arms

It may happen that food particles become encrusted on the sprayer arms and block the hole (see "Close up view [interior]" on page 1, letters C-F). Check the sprayer arms periodically and clean them when needed.



# Troubleshooting

It may occur that the dishwasher does not function properly or at all. Before calling for assistance, let us see what can be done first: Have you forgotten to press one of the buttons or to perform an essential operation?

## The Dishwasher Does Not Start

Have you checked whether:

- the plug is pushed into the socket correctly;
- the power is on in the house;
- the door is closed properly;
- the ON-OFF switch is on "ON";
- the water supply is turned on.

## The Dishwasher Does Not Load Water

Have you checked whether:

- the water is turned on and the hose is connected properly;
- the water supply to the houses on and has sufficient pressure;
- the water supply hose is crimped or bend;
- the filter for the water supply hose is clogged.

## The Dishwasher Does Not Drain

Have you checked whether:

- the drain hose is crimped or bend.

## Lime Deposits or a White Film Form on the Dishes

Have you checked whether:

- the lid to the salt container is closed properly;
- the rinse aid dosage is correct.

If, despite all these checks, the dishwasher still does not function and/or the problem persists, contact the nearest authorised service agent and provide them with the following information:

- the nature of the problem;
- the model type number (Mod...) and the serial number (S/N...), which are indicated on the plate located on the side of the inner part of the door.

**Never call on unauthorised technicians and refuse to allow parts to be installed that are not original spare parts.**

## Positioning the Appliance

Position the appliance in the desired location. The back should rest against the wall behind it, and the sides, along the adjacent cabinets or wall. The dishwasher is equipped with water supply and drain hoses that can be positioned to the right or the left to ensure correct installation.

## Levelling the Appliance

Once the appliance is positioned, adjust the feet (screwing them in or out) to adjust the dishwasher, making it level. The appliance should not be inclined more than 2°. If the appliance is level, it will help ensure proper performance.

## Cold Water Connection

Connect the cold water supply hose to a threaded 3/4 (gas) connector and make sure that it is fastened tightly in place (see fig.1).

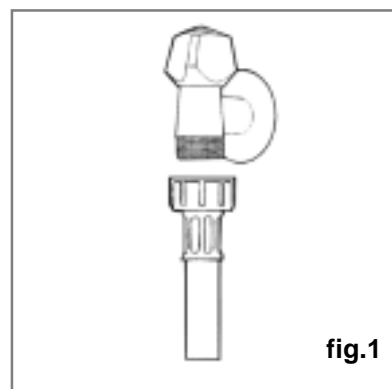
If the water pipes are new or have not been used for an extended period of time, let the water run to make sure that the water is clear and free of impurities. If this precaution is not taken, there is a risk that the water inlet can get blocked and damage the appliance.

## Hot Water Connection

The water supply to the appliance can also be connected to the house's hot water line (centralised system, heating system), as long as it does not exceed a temperature of 60°C.

In this case, the wash cycle time will be shortened by about 15 minutes and the wash efficiency slightly reduced.

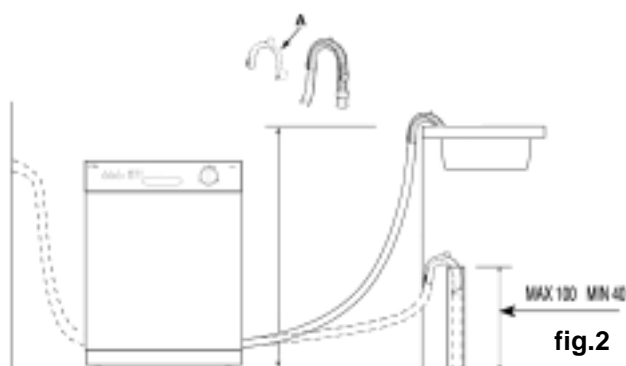
The connection must be made to the hot water line following the same procedures as those for the connection to the cold water line.



# Installation

## Drain Hose Connection

Insert the drain hose into a drain pipe with a minimum diameter of 4cm, or let it run into the sink, making sure to avoid bending or crimping it. Use the special plastic support that comes with the appliance (see fig.2). The free end of the hose must be at a height between 40 and 100 cm and must not be immersed in water.



## Attention:

*The special plastic hose support must be solidly fastened to the wall to prevent the drain hose from moving and allowing water to spill outside the drain.*

## Electrical Connection

After making sure that the voltage and frequency values for the current in the home correspond to those on the rating plate (located on the stainless steel inner door of the appliance) and that the electrical system is sized for the maximum voltage on the rating plate, insert the plug into an electrical socket which is earthed properly (the earthing of the appliance is a safety requirement mandated by law).

If the electrical socket to which the appliance must be connected is not appropriate for the plug, replace the plug, rather than using adaptors or the like as they could cause overheating and burns.

## Technical Information for Installation

The control panel can be easily aligned with the kitchen drawers, using the spacers supplied with the appliance (see Fig.1 and Fig.2). The height of the control panel is 115 mm, while the three spacers each add 7.5 mm in height.

## Adjusting the Height of the Control Panel

If the kitchen decor requires that the height of the panel be modified, it can be increased by adding spacers at the bottom of the control panel itself (see Fig.1 and Fig.2). Each spacer adds 7.5 mm in height.

## Mounting the Wooden Panel onto the Door and Sliding the Dishwasher into the Cabinet

During the preparatory stages for installing the dishwasher into the kitchen cabinet, holes must not be drilled in the sides, or door, in order to avoid compromising the performance or operation of the appliance. Before working on any internal components, the unit must be disconnected from the power supply. The maximum dimensions for the wood panel that can be installed on the door are: Height - 610mm; Width - 598mm; Thickness:20mm. The height dimension of 610 mm must be reduced if the height of the control panel is increased through the use of the spacers. In addition, the base must be trimmed if it interferes with the opening of the door.

## Using the Drilling Template (Fig.3 - integrated with control panel )

Align the top edge of the template (identified with the "A" arrow ) with the top edge of the panel. On both sides of the template (top and bottom ) are written the various dimensions that correspond to the different possible widths for the panel. Align the template with the side of the panel (left or right), making sure that the panel coincides with the appropriate dimensions. Mark the positions for the holes for the screws, using the tip of a drill or a pencil. The three holes closest to the side should be used (B). Repeat this step on the other side of the panel ,using the corresponding side of the template.

## Fastening the Bracket to the Wooden Panel(Fig.4 integrated with control panel)

At the point marked, drill holes 2 mm in diameter . If the panel is made of chip board , only drill through the veneer. If the panel is made of solid wood, the holes can be made deeper. Position the two brackets so that they are lined up with the holes made in the bottom part of the panel. The holes furthest to the outside should be used to fasten the brackets. The small fins should be turned downward. The hooks in the totally built-in version should be screwed into the two holes at the top.

## Mounting the Wood Door Panel onto the Dishwasher

Place the wood panel onto the door of the dishwasher. Then perform the installation steps described below, based on whether the panel is for a totally built-in model or integrated with the control panel.

## Panel Integrated with the Control Panel

Insert the metal fins into the slots located on the dishwasher door, hooking the panel into place by sliding it to the right (see Fig.5).

## Adjustment of Back Feet (Fig.6A)

Insert the appliance in the cutout and then adjust the height of the machine using the screws located at the bottom front .Use a screwdriver to turn the screws in a clockwise direction to raise the dishwasher and in an anticlockwise direction lower it.

## Adjusting the Door Springs (Fig.6B)

The door must be perfectly balanced. In the factory , the tension of the springs is regulated to ensure that the door is perfectly balanced when light wood door panels are mounted on the door. If heavier, solid wood door panels are used, the door can be balanced by simply turning the two screws (both screws must be turned the same amount) located on the top part of the machine.

## Installation of Continuous Base Moulding

Position the washing machine in the cut-out in the kitchen cabinet:

- 1、 Install the continuous base moulding , following the manufacturer's instructions .
- 2、 Slowly open the door of the dishwasher to check to see if the door strikes or rubs against the base moulding.
- 3、 If so, rest the bottom edge of the panel on the base moulding and mark the part to be cut. Leave at least 3mm of the play between the panel and the base moulding to allow for the door to rotate freely (Fig.7).
- 4、 Remove the base moulding and trim it as needed,protecting the surface that has been cut with a paint or similar wood finish (Fig.7)
- 5、 Install the base moulding again (Fig.8).

## How to use water-proof plastic

Firstly take off the water-proof plastic from the sticker with the appliance (see I , Fig.9). Secondly stick it on the bottom of the kitchen board (see II , Fig.9). All of this can avoid humidity in the kitchen.

## Positioning the Unit within the Cutout (Fig.10)

Push the dishwasher into the cutout opening and turn the feet to make it level and to adjust for height so that the crosspiece (A) for fastening it in place located on the top part of the machine (Fig.10) comes into contact with the counter .Align the door panel mounted on the dishwasher with the doors on the adjacent cabinet (2).

## Important:

The dishwasher must absolutely be fastened to the counter top to prevent the machine from tipping when the loaded dish racks are pulled out.

## Notice:

*If power screwdrivers are used to make the adjustment, make the final adjustment manually with a normal screwdriver.*

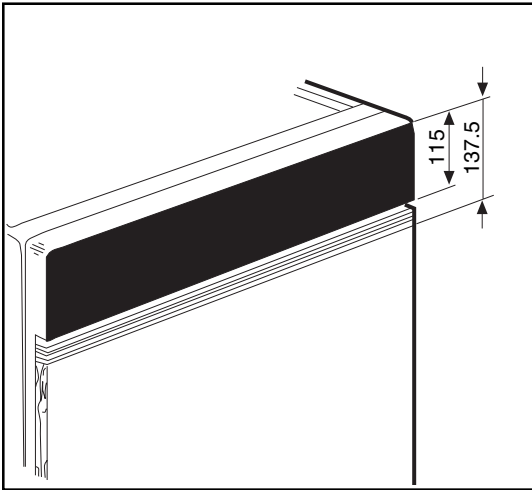


Fig.1

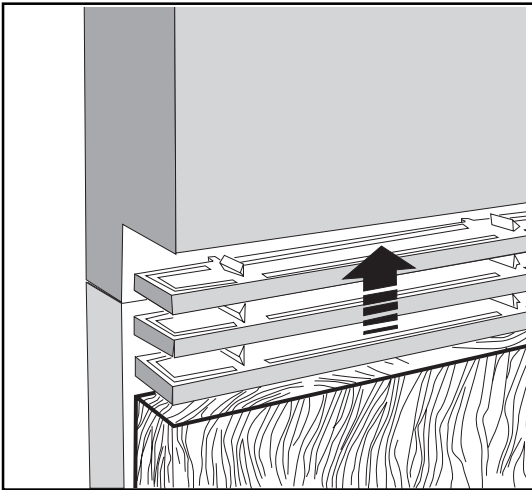


Fig.2

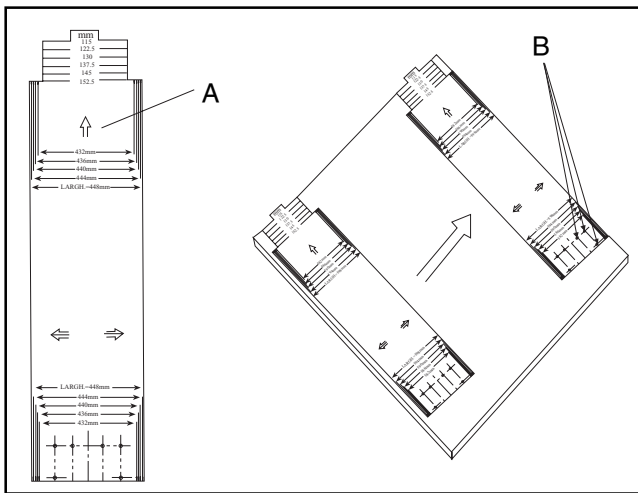


Fig.3

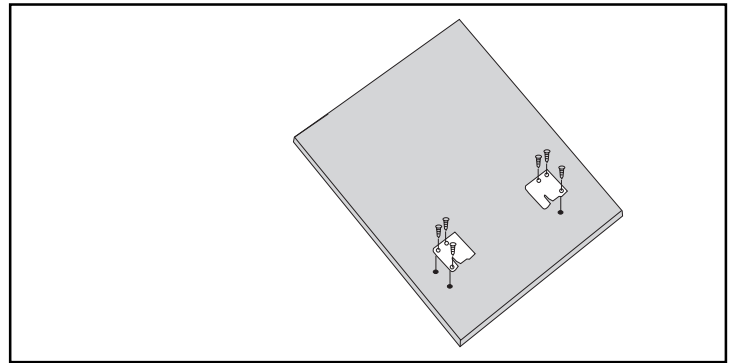


Fig.4

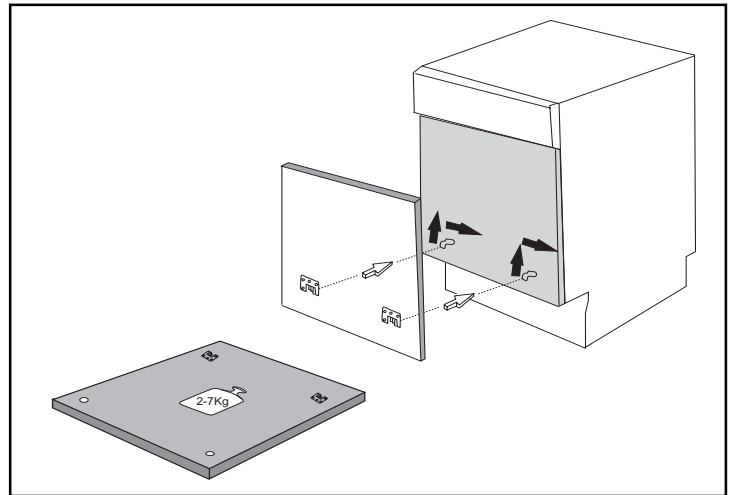


Fig.5

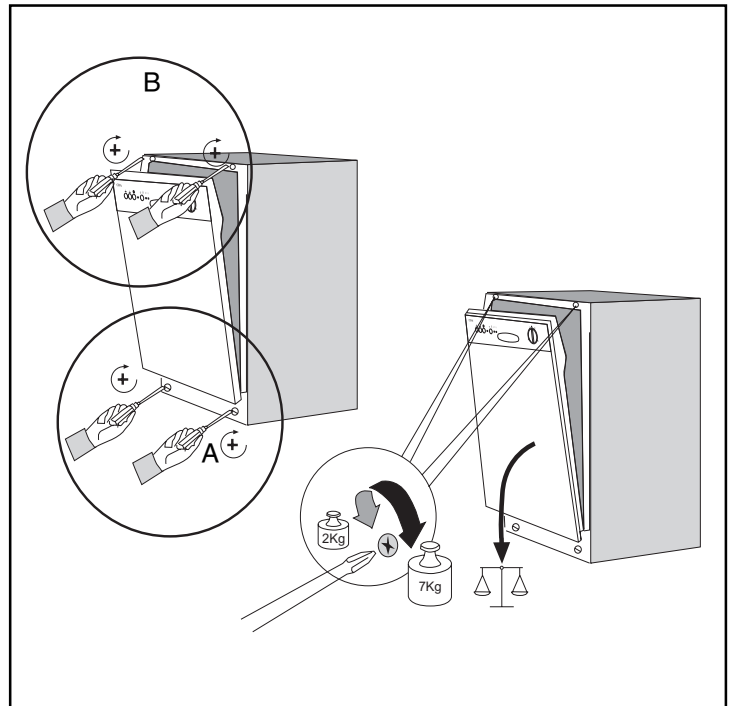


Fig.6



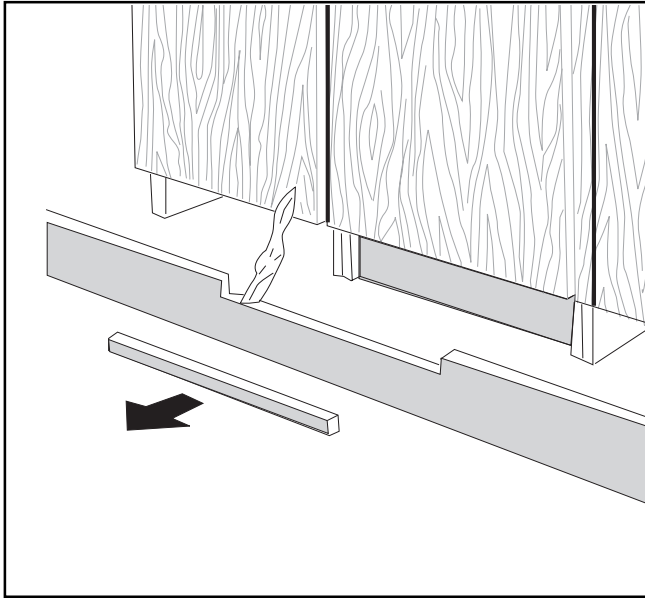


Fig.7

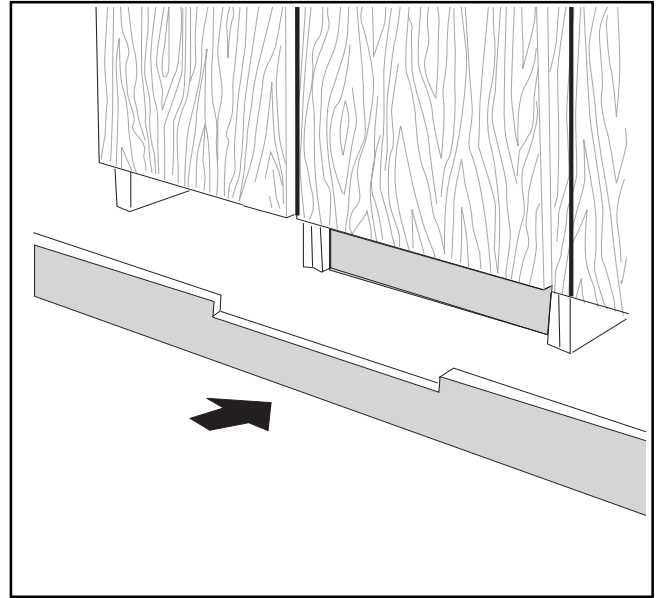


Fig.8

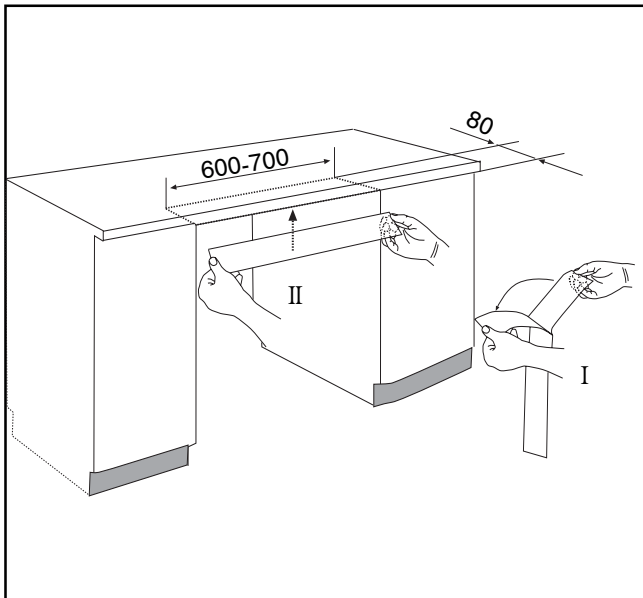


Fig.9

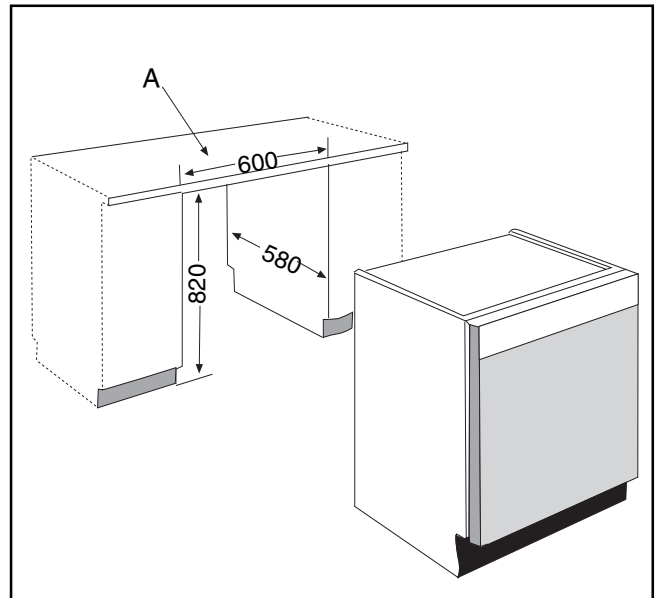
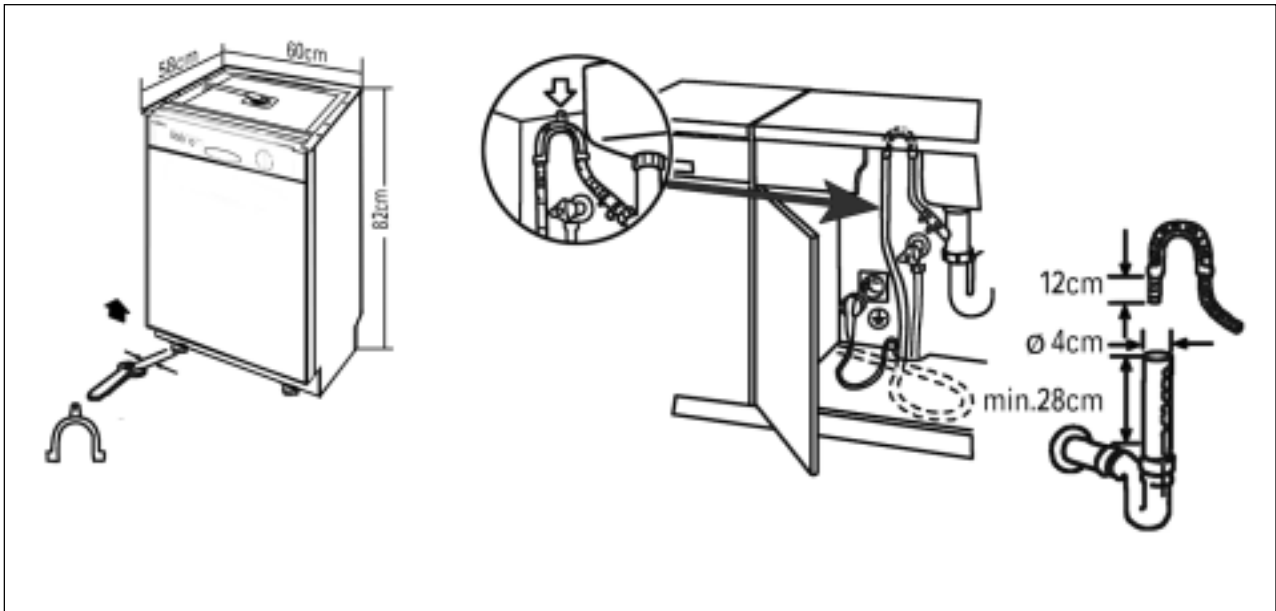
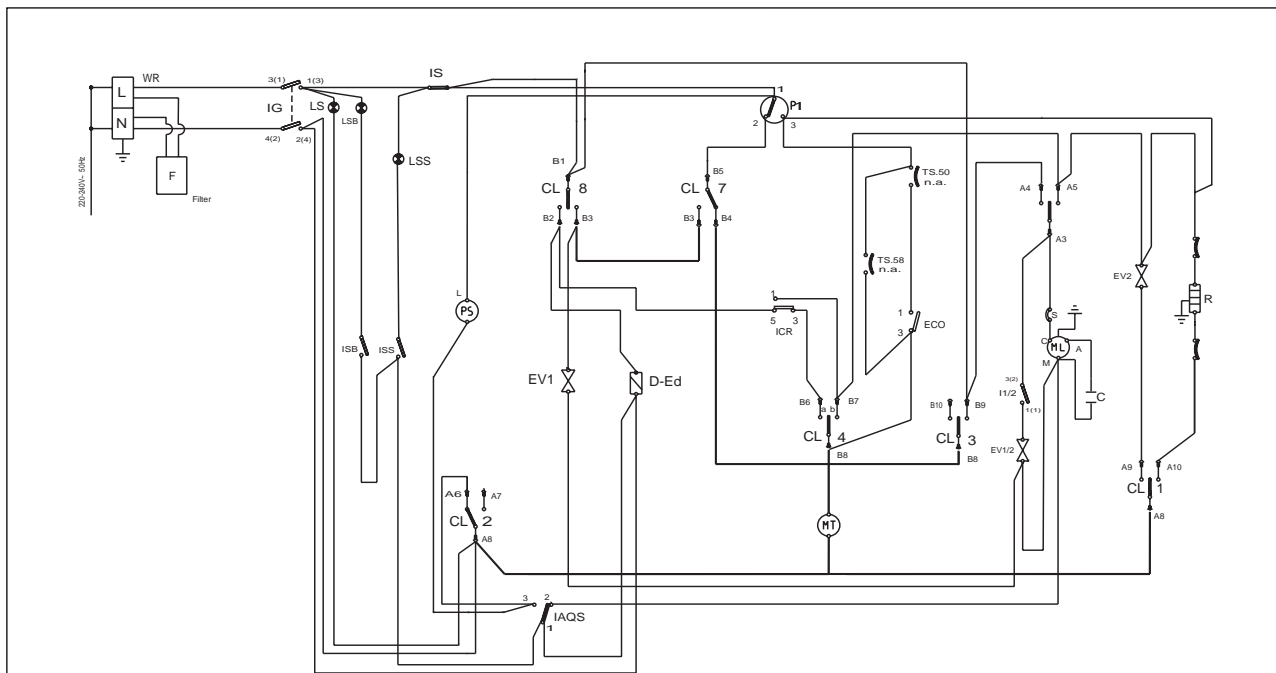


Fig.10



# Diagram



WR: Wiring box    IG: Power switch    IS: Door switch    P1: Water level switch    LS: Power indicator  
 LSS: Salt missing switch    LSB: Rinsing agent missing indicator    ISS: Softener switch  
 ISB: Dispenser switch    PS: Drain pump    EV1: Inlet valve    D-ED: Dispenser    ICR: Rapid wash switch  
 ECO: Economic wash switch    1/2: Half wash switch    TS.58: 58°C temperature controller  
 TS.50: 50°C temperature controller    R: Heater    EV2: Softener valve    EV1/2: Half wash valve  
 ML: Washing motor    MT: Timer motor    IAQS: Overflow switch



# Appliance servicing

CDA provide a quality and effective after-sales service to cover all your servicing needs.

Please attach your receipt to this page for safekeeping.

Please help us to help you by having the following information available when booking a service call.

1. Model type, make and model – see the front of this manual
2. Evidence of installation/purchase date
3. Retailer where the appliance was purchased
4. Clear and concise details of the fault
5. Full address including postcode and any contact phone numbers

## Contact telephone numbers

CDA Customer Care Department  
Harby Road  
Langar  
Nottingham  
NG13 9HY

Telephone: 01949 862000  
Email: [service@cda-europe.com](mailto:service@cda-europe.com)

## CW493 BL/WH/SS Dishwasher

# |C|D|A|

## Free Manuals Download Website

<http://myh66.com>

<http://usermanuals.us>

<http://www.somanuals.com>

<http://www.4manuals.cc>

<http://www.manual-lib.com>

<http://www.404manual.com>

<http://www.luxmanual.com>

<http://aubethermostatmanual.com>

Golf course search by state

<http://golfingnear.com>

Email search by domain

<http://emailbydomain.com>

Auto manuals search

<http://auto.somanuals.com>

TV manuals search

<http://tv.somanuals.com>