

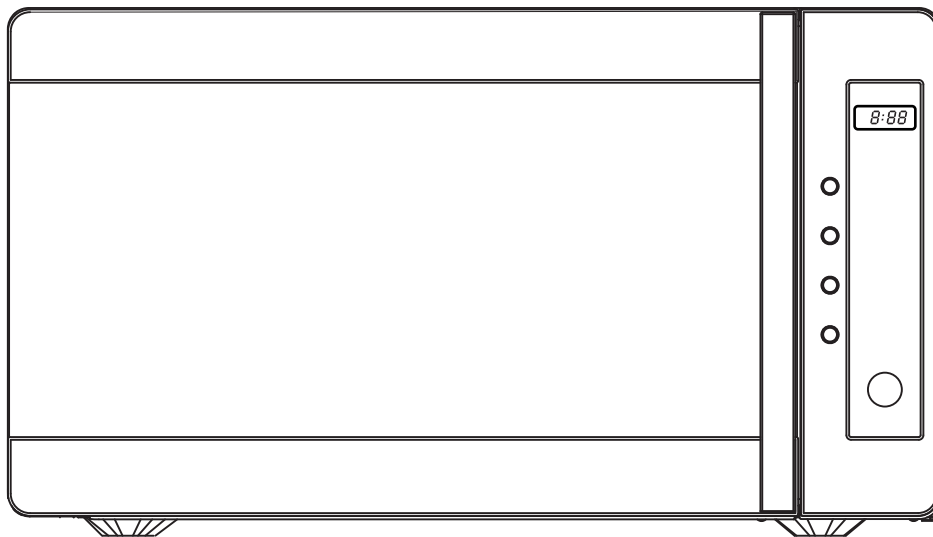
|C|D|A|

28 Litre Electronic Microwave Owner's Instruction Manual

MC41SS

MC41BL

Read the instructions carefully and keep for future reference



SPECIFICATIONS

Power consumption:	230V~240V 50Hz, 1450W
Output:	900W
Grill Heater:	1200W
Convection:	1350W
Operating Frequency:	2,450MHz
Outside Dimensions:	520mm(W) X 530mm(D) X 300mm(H)
Oven Cavity Dimensions:	350mm(W) X 372mm(D) X 232mm(H)
Oven Capacity:	28 litres
Unboxed Weight:	Approx. 20kg

BEFORE YOU CALL FOR SERVICE

1. If the oven will not perform at all, the display does not appear or the display disappears:
 - a) Check to ensure that the oven is plugged in securely. If it is not, remove the plug from the outlet, wait 10 seconds and plug it in again securely.
 - b) Check the premises for a blown circuit fuse or a tripped main circuit breaker. If

- these seem to be operating properly, test the outlet with another appliance.
2. If the microwave power does not function:
 - a) Check to see whether the timer is set.
 - b) Check to make sure that the door is securely closed to engage the safety interlocks. Otherwise, the microwave energy will not flow into the oven.

IF NONE OF THE ABOVE RECTIFIES THE SITUATION, THEN CONTACT CDA CUSTOMER CARE.

Note:

The appliance is for household use for heating food and beverages using electromagnetic energy and for indoor use only

RADIO INTERFERENCE

Microwave oven may cause interference to your radio, TV, or similar equipment. When interference occurs, it may be eliminated or reduced by the following procedures.

- a. Clean the door and sealing surface of the oven.
- b. Place the radio, TV, etc. as far away from your microwave oven as possible.
- c. Use a properly installed antenna for your radio, TV, etc. to get a strong signal reception.

INSTALLATION

1. Make sure all the packing materials are removed from the inside of the door.
2. Inspect the oven after unpacking for any visual damage such as:
Misaligned Door
Damaged Door
Dents or Holes in Door Window and Screen
Dents in Cavity
If any of the above are visible, DO NOT use the oven.

3. This Microwave Oven weighs 20 kg and must be placed on a horizontal surface strong enough to support this weight.
4. The oven must be placed away from high temperature and steam.
5. DO NOT place anything on top of the oven.
6. DO NOT remove the turn-table drive shaft.
7. As with any appliance, close supervision is necessary when used by children.

WARNING-THIS APPLIANCE MUST BE EARTHED.

1. The plug socket should be within easy reach of the power cord
2. This oven requires 1.5 KVA for its input. Consultation with service engineer is suggested when installing the oven.

CAUTION: This oven is protected internally by ac 250V,10 Amp Fuse.

IMPORTANT

The wires in this mains lead are coloured in accordance with the following code:

Green-and-yellow : Earth

Blue : Neutral

Brown : Live

As the colours of the wires in the mains leads of the appliance may not correspond with the coloured markings identifying the terminals in your plug, proceed as follows:

The wire which is coloured green-and-yellow must be connected to the terminal in the plug which is marked with the letter E or by the earth symbol \perp coloured green or green-and-yellow.

The wire which is coloured blue must be connected to the terminal which is marked with the letter N or coloured black.

The wire which is coloured brown must be connected to the terminal which is marked with the letter L or coloured red.

IMPORTANT SAFETY INSTRUCTIONS

- warning: When the appliance is operated in the combination mode, children should only use the oven under adult supervision due to the temperatures generated.
- WARNING: If the door or door seals are damaged, the oven must not be operated until it has been repaired by a competent person;
- WARNING: It is hazardous for anyone other than a competent person to carry out any service or repair operation that involves the removal of a cover which gives protection against exposure to microwave energy;
- WARNING: liquids and other foods must not be heated in sealed containers since they are liable to explode.
- WARNING: Only allow children to use the oven without supervision when adequate instructions have been given so that the child is able to use the oven in a safe way and understands the hazards of improper use;
- The oven must have sufficient air flow. Keep 10 cm space at back; 15 cm at both sides and 30cms from top of the oven when the oven is freestanding.
- Do not remove the oven feet, do not block air vents of the oven.
- Only use utensils that are suitable for use in microwave ovens.
- When heating food in plastic or paper containers, keep an eye on the oven due to the possibility of ignition;
- If smoke is observed, switch off or unplug the appliance and keep the door closed in order to stifle any flames;
- Microwave heating of beverages can result in delayed eruptive boiling, therefore care must be taken when handling the container;
- The contents of feeding bottles and baby food jars shall be stirred or shaken and the temperature checked before consumption, in order to avoid burns;
- Eggs in their shell and whole hard-boiled eggs should not be heated in microwave ovens since they may explode, even after microwave heating has ended;
- When cleaning surfaces of door, door seal, cavity of the oven, use only mild, nonabrasive soaps, or detergents applied with a sponge or soft cloth.
- The oven should be cleaned regularly and any food deposits removed;
- Failure to maintain the oven in a clean condition could lead to deterioration of the surface that could adversely affect the life of the appliance and possibly result in a hazardous situation;
- If the supply cord is damaged, it must be replaced by the manufacturer, its service agent or similarly qualified persons in order to avoid a hazard.

SAFETY INSTRUCTIONS FOR GENERAL USE

Listed below are, as with all appliances, certain rules to follow and safeguards to assure top performance from this oven:

1. Always have the glass tray, roller arms, coupling and roller track in place when operating the oven.
2. Do not use the oven for any reason other than food preparation, such as for drying clothes, paper, or any other nonfood items, or for sterilizing purposes.
3. Do not operate the oven when empty. This could damage the oven.
4. Do not use the oven cavity for any type of storage, such as papers, cookbooks, etc.
5. Do not cook any food surrounded by a membrane, such as egg yolks, potatoes, chicken livers, etc without first being pierced several times with a fork
6. Do not insert any object into the openings on the outer case.
7. Do not at any time remove parts from the oven such as the feet, coupling, screws, etc.
8. Do not cook food directly on the glass tray. Place food in/on proper cooking utensils before placing in the oven.

9. IMPORTANT-COOKWARE NOT TO USE IN YOUR MICROWAVE OVEN

Do not use metal pans or dishes with metal handles.

Do not use anything with metal trim.

Do not use paper covered wire twist-ties on plastic bags.

Do not use melamine dishes as they contain a material which will absorb microwave energy. This may cause the dishes to crack or char and will slow down the cooking speed.

Do not cook in a container with a restricted opening, such as a carbonated drinks bottle or salad oil bottle, as they may explode if heated in a microwave oven.

Do not use conventional meat or candy thermometers.

There are the thermometers available specifically for microwave cooking. These may be used.

10. Microwave utensils should be used only in accordance with manufacturer's instructions.

11. Do not attempt to deep-fry foods in this oven.

12. Please remember that a microwave oven only heats the liquid in a container rather than the container itself. Therefore, even though the lid of a container is not hot to the touch when removed from the oven, please remember that the food/liquid inside will be releasing the same amount of steam and/or spitting when the lid is removed as in conventional cooking.

13. Always test the temperature of cooked food yourself especially if you are heating or cooking food/liquid for babies. It is advisable never to consume food/liquid straight from the oven but allow it to stand for a few minutes and stir food/ liquid to distribute heat evenly.

14. Food containing a mixture of fat and water, e.g.stock, should stand for 30-60 seconds in the oven after it has been turned off. This is to allow the mixture to settle and to prevent bubbling when a spoon is placed in the food/liquid or a stock cube is added.

15. When preparing/cooking food/liquid and remember that there are certain foods, e.g. Christmas puddings, jam and mincemeat, which heat up very quickly. When heating or cooking foods with a high fat or sugar content do not use plastic containers.

16. Cooking utensils may become hot because of heat transferred from the food. This is especially true if plastic wrap has been covering the top and handles of the utensils. oven gloves may be needed to handle the utensils.

17. To reduce the risk of fire in the oven cavity:

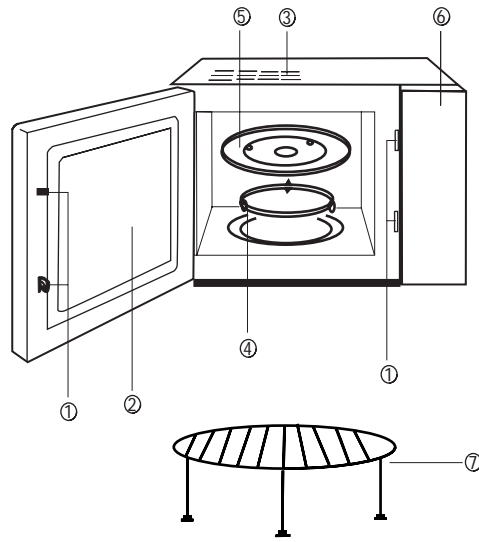
(a) Do not overcook food. Carefully attend microwave oven if paper, plastic, or other combustible materials are placed inside the oven to facilitate cooking.

(b) Remove wire twist-ties from bags before placing bag in oven.

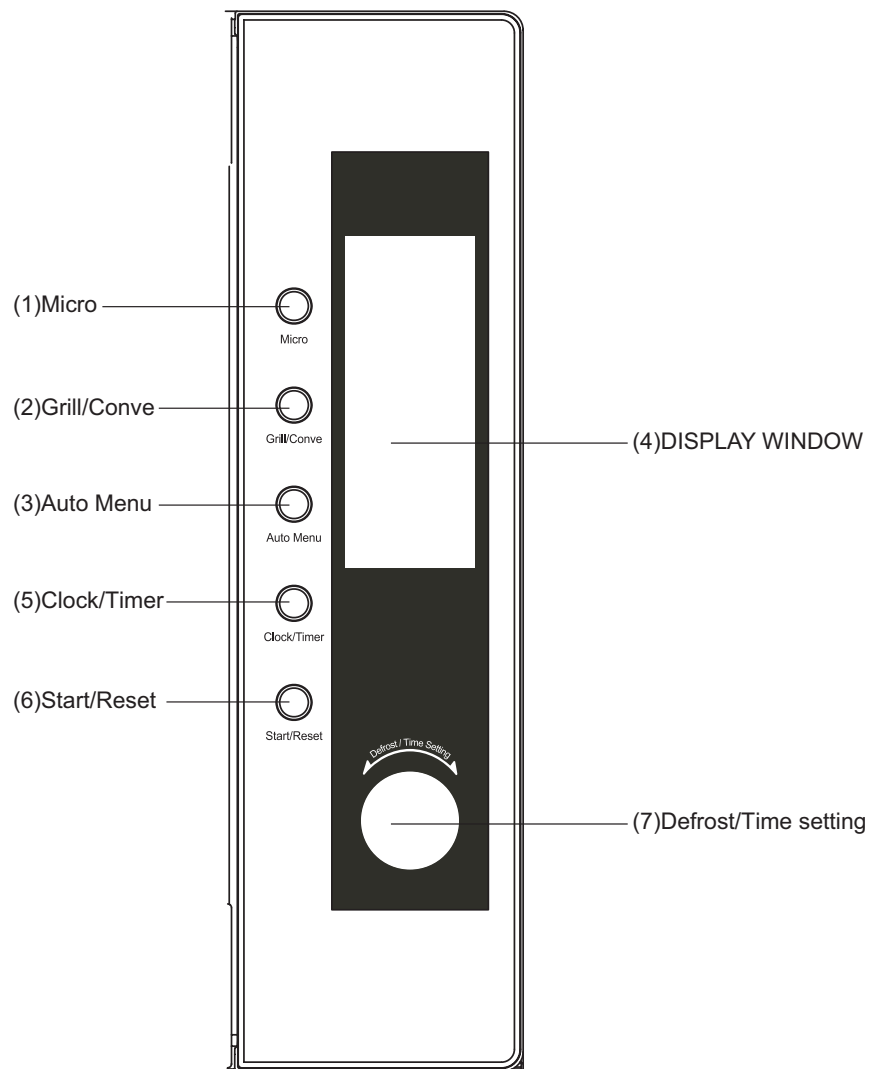
(c) If materials inside the oven should ignite, keep oven door closed, turn the oven off at the wall switch, or shut off power at the fuse or circuit breaker panel.

FEATURE DIAGRAM

- (1) Door Safety Lock System
- (2) Oven Window
- (3) Oven Air Vent
- (4) Roller Ring
- (5) Glass Tray
- (6) Control Panel
- (7) Grill rack



CONTROL PANEL



24 hour Clock

To set the clock

- Press the Clock button. The hours will flash, and can be adjusted by turning the Defrost/Time setting control.
- Press the Clock button. The minutes will flash, and can be adjusted by turning the Defrost/Time setting control.
- To confirm the time, press the Clock button again.

Quick Start

For one touch cooking:

- Press the Start/Reset button to start cooking for one minute on full power.
- At the end of cooking, the microwave will beep five times.
- To stop the programme, press and hold the Start/Reset button for two seconds

Alternatively, to select a more specific cooking time for full power cooking:

- Select the cooking duration by turning the time setting control until it reaches the appropriate time.
- Press the Start/Reset button

Manual Cooking

To select specific cooking times and power levels:

- press the Micro button. Each press of the button reduces the power, as shown in the table.

Display	Microwave power
P100	100%
P70	70%
P50	50%
P30	30%
P10	10%

- Select the cooking duration by turning the Time Setting control until it reaches the appropriate time (up to a maximum of 60 minutes).
- Press the Start/Reset button

Auto Defrost

To auto defrost food in the microwave, select the weight of the food and the microwave will automatically calculate the time required.

- Select the weight of the food by turning the Defrost/Time Setting control anti-clockwise until it reaches the appropriate weight (up to a maximum of 2kg).
- Press the Start/Reset button

Auto Menu

To auto cook food in the microwave, select the type and the weight of the food and the microwave will automatically set the power and the time required.

- Press the Auto Menu button to select the auto cook function
- Select the weight of the food by turning the Defrost/Time Setting anti-clockwise control until it reaches the appropriate weight (dependant on the programme chosen).
- Press the Start/Reset button

Auto-reheat(A1)	Potato (A2)	Pizza (A3)	Meat (A4)	Fish (A5)	Chicken (A6)
0.10	0.20	0.10	0.10	0.10	0.20
0.15	0.30	0.20	0.20	0.20	0.40
0.20	0.40	0.25	0.30	0.30	0.60
0.25	0.50	0.30	0.40	0.40	0.80
0.30	0.60	0.35	0.50	0.50	1.00
0.35	0.70	0.40	0.60	0.60	1.20
0.40	0.90	0.45	0.80	0.70	1.40
0.45	1.10	0.50	1.00	0.80	1.60
0.50	1.30	0.55	1.30	0.90	1.80
0.60	1.50	0.60	1.50	1.00	2.00

Grill

To select specific cooking times and power levels:

- Press the Grill/Conve button so the display shows G-1
- Select the cooking duration by turning the Time Setting control until it reaches the appropriate time
- Press the Start/Reset button

When grilling, the cooking time has two stages. At the end of the first half of cooking, the programme will pause and the microwave will beep twice to indicate the need to turn the food over. Once this has been done, close the door and press the Start/Reset button to restart the programme. If you do not want to turn over the food, the oven will restart after one minute's pause.

Convection Cooking

To cook as a convection oven, the microwave first requires preheating.

- Press the Grill/Conve button to select the required temperature for preheating. Each press of the button cycles through
- Press the Start/Reset button

Once the preheat is complete, the microwave will stop and beep twice to indicate the microwave is ready for the food.

- Press the Grill/Conve button to select the required temperature for cooking. The display will cycle through 230°, 220°, 200°, 180° and 160°
- Select the cooking duration by turning the Time Setting control until it reaches the appropriate time

- Press the Start/Reset button

Combination Cooking

To select specific cooking times and power levels:

- Press the Grill button (press the button three times for C1)

Display	Power	
C-1	230° convection and 40% microwave	For roasting, baking etc.
C-2	50% grill and 230° convection	For fast crisping etc.
C-3	45% grill and 55% microwave	For fast grilling etc

- Select the cooking duration by turning the Time Setting control until it reaches the appropriate time
- Press the Start/Reset button

Child Lock

To set the child lock, press and hold the Auto Menu and Clock/Timer buttons for two seconds simultaneously. This will disable the microwave functions.

To switch off the child lock, press and hold again the Auto Menu and Clock/Timer buttons for two seconds simultaneously.

Timer

To set the timer, the clock must be set. The timer allows selection of a preset start time and programme.

- Press the Clock button. The hours will flash, and can be adjusted by turning the Defrost/Time setting control.
- Press the Clock button. The minutes will flash, and can be adjusted by turning the Defrost/Time setting control.
- Set the programme and duration of cooking as required
- Press the Start/Reset button.

To set the timer without selecting a programme, follow the process without selecting a programme. At the preset time, the microwave will beep 10 times.

Start/Reset Button

To stop a programme already running, press the Start/Reset button.

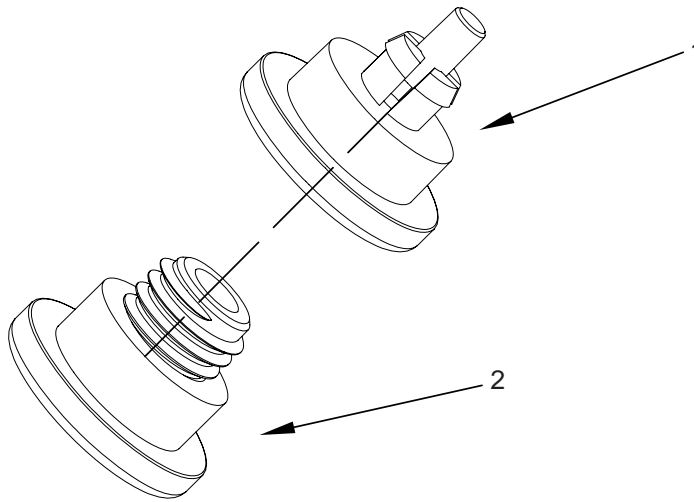
To cancel a programme/setting before it starts running, press the Start/Reset button.

CARE OF YOUR MICROWAVE OVEN

1. Turn the oven off and remove the power plug from the wall socket before cleaning.
2. Keep the inside of the oven clean. When food splatters or spilled liquids adhere to oven walls, wipe with a damp cloth. The use of harsh detergent or abrasives is not recommended.
3. The outside oven surface should be cleaned with a damp cloth. To prevent damage to the operating parts inside the oven, water should not be allowed to seep into the ventilation openings.
4. Do not allow the Control Panel to become wet. Clean with a soft, damp cloth, Do not use detergents, abrasives or spray-on cleaners on the control Panel.
5. If steam accumulates inside or around the outside of the oven door, wipe with a soft cloth. This may occur when the microwave oven is operated under high humidity conditions and in no way indicates malfunction of the unit. Condensation occurs due to the type of food being cooked and is not a fault of the appliance.
6. It is occasionally necessary to remove the glass tray for cleaning. Wash the tray in warm soapy water or in a dishwasher.
7. The roller ring and oven cavity floor should be cleaned regularly to avoid excessive noise. Simply wipe the bottom surface of the oven with mild detergent, water or window cleaner and dry. The roller ring may be washed in mild soapy water or a dishwasher. Cooking vapour collects during repeated use but in no way affects the bottom surface or roller ring wheels. When removing the roller ring from cavity floor for cleaning, be sure to replace it in the proper position.
8. Remove odours from your oven by combining a cup of water with the juice and skin of one lemon in a deep microwaveable bowl. Microwave for 5 minutes, wipe thoroughly and dry with a soft cloth.
9. When it becomes necessary to replace the oven light, please contact CDA Customer Care to have it replaced.

The CDA Group Ltd
Harby Road
Langar
Nottinghamshire
NG13 9HY

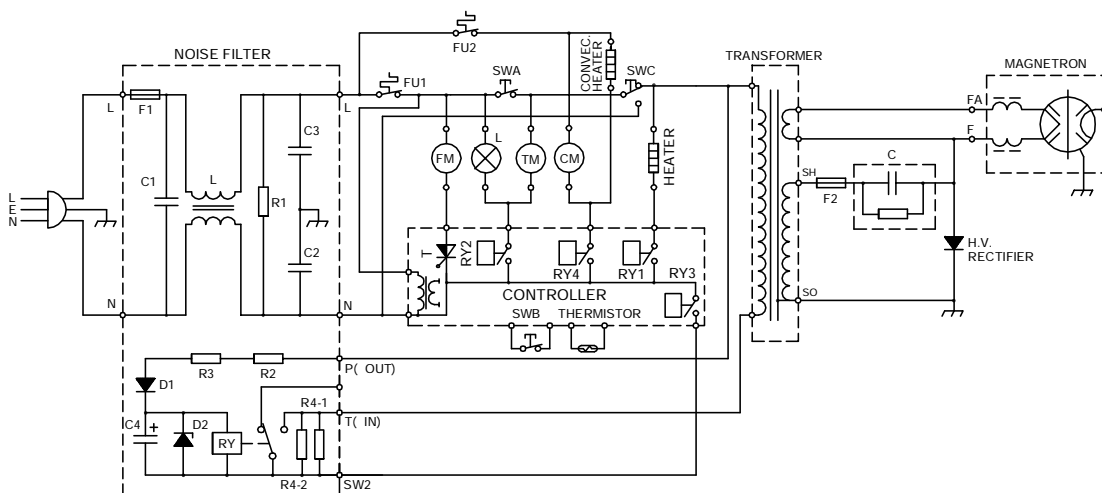
Customer Care
Telephone: 01949 862012
Fax: 01949 862003
Email: service@cda.eu
Website: www.cda.eu



ATTENTION: The following steps are for the Microwave Oven models with the Built-in Trim Kit Frame Only.

1. After taking all the accessories out of the microwave oven, turn the microwave oven over on its back and keep the base of the microwave oven facing towards you.
2. Remove the adjustable feet (Fig. No. 2) from the plastic bag and screw them into the holders (Fig. No. 1), one by one.
3. Once all 4 feet are fitted, turn the microwave oven back over onto its feet to check if the adjustable feet are level. If the microwave oven is unstable, adjust the feet by screwing them up or down accordingly.

SCHEMATIC DIAGRAM
(DOOR CLOSED, COOK OFF CONDITION)



SWA: THE FIRST DOOR SAFTY SWITCH
SWB: THE SECOND DOOR SAFTY SWITCH
SWC: THE THIRD DOOR SAFTY CONTROL SWITCH

L: LAMP
FM: FAN MOTOR
TM: TURNTABLE MOTOR
CM: CONVECTION MOTOR

*CIRCUIT SUBJECT TO CHANGE WITHOUT NOTICE

Free Manuals Download Website

<http://myh66.com>

<http://usermanuals.us>

<http://www.somanuals.com>

<http://www.4manuals.cc>

<http://www.manual-lib.com>

<http://www.404manual.com>

<http://www.luxmanual.com>

<http://aubethermostatmanual.com>

Golf course search by state

<http://golfingnear.com>

Email search by domain

<http://emailbydomain.com>

Auto manuals search

<http://auto.somanuals.com>

TV manuals search

<http://tv.somanuals.com>