



PANEL & FLANGE FANS

*better AIRFLOW
by DESIGN™*



**APK
DIRECT DRIVE
PANEL FANS**

- Airfoil adjustable pitch cast aluminum impeller
- Superior performance and sound characteristics
- Deep drawn steel venturi with baked polyester paint
- GRP [polypropylene] blades available
- Advanced computer selection program
- Custom designs available from 12" to 36"
- Ideal for OEM, replacement, or new construction
- Capacities to 23,000 cfm from stock components



CFM
Better Airflow By Design™

ELTA FAN DATA FOR MODEL 042/255/6/20

Location: Your Customer

Fan Code: 042/255/6/20

Requirements
 Volume: 20000 cfm
 Static Pressure: 1 "WG
 Selection Pressure: 1 "WG at std conditions
 Installation Category: TYPE D
 Temperature: 70 deg F
 Altitude: 0 ft

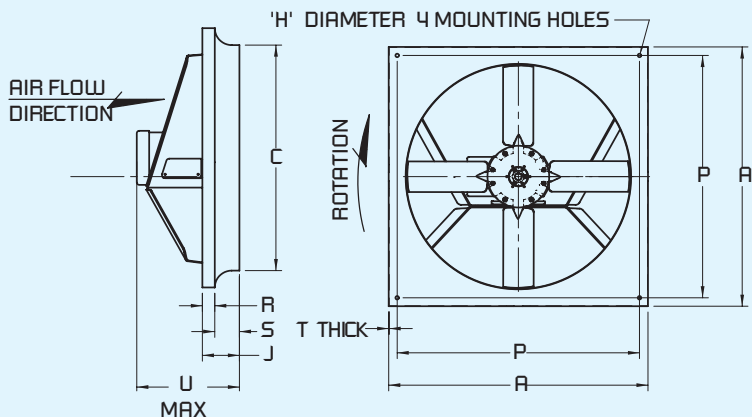
Fan Data (at STP)
 Type: Axial Impeller
 Diameter: 42 in
 Hub: 255 mm
 Impeller Blades: 6
 Pitch: 20 degrees
 Blade Material: Aluminum
 Speed: 1170 RPM
 Absorbed Power: 4.83 hp
 Peak Power: 4.85 hp
 Total Efficiency: 83 %

Motor Data (at STP)
 Motor Type:
 Electrical Supply:
 Motor Frame/Power:
 Current FLC/Start:
 Motor Speed:

Sound Power

Spectrum (Hz)	83	125	250	500	1K	2K	4K	8K	dBW	dBA @ 5ft
Outlet PWL (dB)	94	91	88	88	87	86	82	75	98	78
Inlet PWL (dB)	90	91	89	88	87	83	75	97	97	79

Note: Levels are quoted as in-duct values. dBA values are average spherical free-field for comparative use only.



OPTIONS

- Inlet Guard
- Outlet Guard
- Mounting Boot
- Auto Damper
- Motorized Damper
- Weather Hood
- Filter Cabinet
- Aluminum Construction
- Box Fan
- GRP Impeller

MODEL	DIMENSIONS IN INCHES*									
	A	C	H	J	P	R	S	T	U MAX	MAX MTR FRAME
APK-12	16	12.4	0.5	4.0	13.0	1.5	2.5	0.06	14.8	143/5T
APK-14	18	14.4	0.5	3.5	15.0	1.0	2.5	0.06	14.8	143/5T
APK-16	20	16.4	0.5	4.3	17.0	1.3	3.0	0.06	14.8	143/5T
APK-18	22	18.4	0.5	4.8	19.0	1.3	3.5	0.08	14.8	143/5T
APK-21	25	21.4	0.5	5.5	22.0	1.5	4.0	0.08	14.8	143/5T
APK-24	28	24.4	0.5	5.5	25.0	1.5	4.0	0.08	16.8	182/4T
APK-27	32	27.4	0.5	5.5	29.0	1.5	4.0	0.08	16.8	182/4T
APK-30	36	30.4	0.4	5.5	33.3	2.0	3.5	0.08	20.6	213/5T
APK-36	42	36.4	0.4	6.0	39.3	2.0	4.0	0.08	26.1	213/5T

*DO NOT USE FOR CONSTRUCTION

CONSULT FACTORY FOR CERTIFIED PRINTS



USA www.continentalfan.com

Canada www.aeroflo.com

Continental Fan Manufacturing Inc.
 203 Eggert Road
 Buffalo, New York 14215
 Tel: (800) 779 4021 Fax: (716) 842 0611

Aeroflo Inc.
 12-205 Matheson Blvd. East
 Mississauga, Ontario L4Z 3E3
 Tel: (905) 890 6192 Fax: (905) 890 6193

Free Manuals Download Website

<http://myh66.com>

<http://usermanuals.us>

<http://www.somanuals.com>

<http://www.4manuals.cc>

<http://www.manual-lib.com>

<http://www.404manual.com>

<http://www.luxmanual.com>

<http://aubethermostatmanual.com>

Golf course search by state

<http://golfingnear.com>

Email search by domain

<http://emailbydomain.com>

Auto manuals search

<http://auto.somanuals.com>

TV manuals search

<http://tv.somanuals.com>