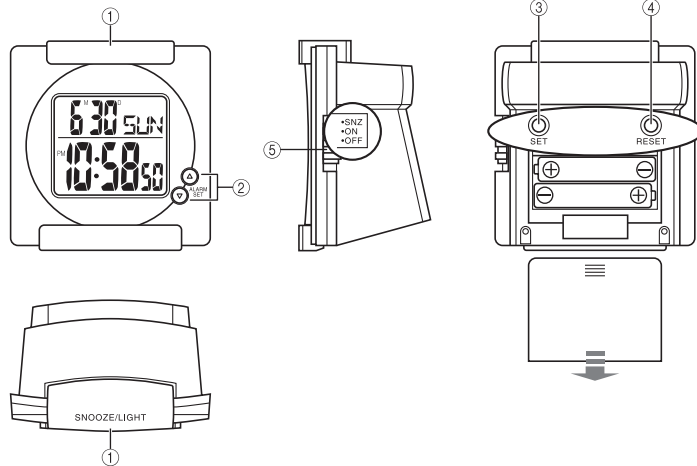
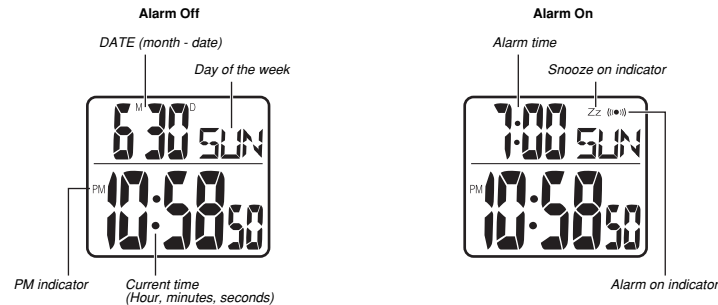


USER'S GUIDE DQ-643

CASIO®



- A sticker is affixed to the display of this clock when you purchase it. Be sure to remove the sticker before using the clock.
- Depending on the clock model, the configuration of your clock may differ somewhat from that shown in the illustration.

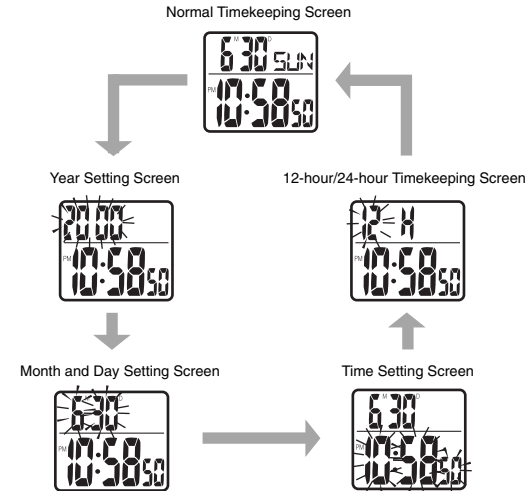


GENERAL GUIDE

- Snooze/Light button**
 - Press to turn on the backlight for three or four seconds.
 - Pressing this button while the alarm is sounding stops the alarm.
- Alarm Time Set buttons**
 - Use these buttons to set the alarm time or current time.
- SET button**
 - Use this button when setting the current time.
- RESET button**
 - Press to reset the clock after replacing batteries.
- Alarm Switch**
 - Use this switch to turn the alarm on and off, and to turn on the snooze alarm.

SETTING THE TIME

- Open the battery compartment cover. Press the **SET button** (3) to cycle through the setting screens as shown below.



- While the screen you want is on the display, use the **Alarm Time Set buttons** (2) to change the digits that are flashing.



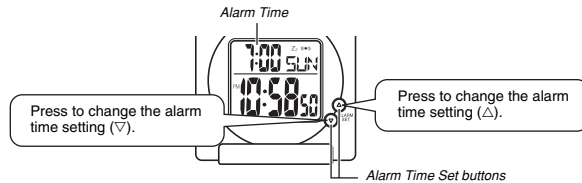
- Holding down ∆ or ∇ changes the flashing digits at high speed.
 - You can set the year in the range of 2000 to 2039. The day of the week is set automatically in accordance with the date setting.
 - Pressing ∆ or ∇ while the Time Setting Screen is on the display causes the seconds count to be reset to 00.
 - Each press of ∆ or ∇ while the 12-hour/24-hour Timekeeping Screen is on the display toggles between 12-hour and 24-hour timekeeping.
- After making the settings you want, use the **SET button** (3) to display the Normal Timekeeping Screen.
 - The clock automatically returns to the Normal Timekeeping Screen if you leave a setting screen on the display for about three minutes without performing any operation.

USING THE ALARM

The alarm sounds and the backlight turns on when the alarm time you set is reached. You can also use the **Alarm Switch** (ⓐ) to select the snooze alarm feature.

Setting the Alarm Time

Use the **Alarm Time Set buttons** (ⓑ) to set the alarm time. Pressing an **Alarm Time Set button** (ⓑ) causes the alarm time to appear in place of the date on the display.



- Holding down Δ or ∇ changes the digits at high speed.

Turning the Alarm On and Off

Use the **Alarm Switch** (ⓐ) on the side of the clock to turn the alarm on and off, and to select the snooze feature.

Alarm Switch Setting	Description
SNZ ON (Zz) (ⓐ)	The alarm sounds at the preset time for one minute, and seven more times every five minutes thereafter. Even if you stop the alarm sound by pressing the Snooze/Light button (ⓓ), the alarm operation is performed again five minutes later. <ul style="list-style-type: none"> • The indicator Zz flashes on the display to indicate that the snooze feature is activated.
ALM ON ((ⓐ))	The alarm sounds at the preset time for one minute.
OFF	The alarm does not sound.

- The alarm time appears in place of the date on the display whenever the alarm switch is set to ON or SNZ.
- The backlight also turns on for the first four seconds that the alarm sounds.
- The alarm sound changes over five levels as it sounds.

Stopping the Alarm

- When alarm is sounding, press the **Snooze/Light button** (ⓓ) to stop it. When the snooze feature is turned on, the alarm will sound again in about five minutes.
- To turn off the snooze feature, slide the **Alarm Switch** (ⓐ) to OFF.

USING THE LIGHT

Pressing the **Snooze/Light button** (ⓓ) turns on the light and illuminates the display for easy reading in the dark.

Important!

- Overuse of the light can shorten battery life.

BATTERY REPLACEMENT

Replace batteries whenever the display of the clock becomes dim and difficult to read.

1. Pressing down lightly on the battery compartment cover, slide it downwards and remove it.
2. Remove both old batteries.
3. Load new batteries. Make sure that their positive (+) and negative (-) ends face in the correct directions. If you load batteries incorrectly, they can burst and damage the clock.
4. Replace the battery compartment cover.
5. Press the **RESET button** (ⓔ). Be sure to press the **RESET button** (ⓔ) after replacing batteries.

Battery precautions

- Be sure to load the batteries with their positive (+) and negative (-) ends facing correctly.
- Replace the batteries at least once a year, even if the current batteries are working properly.
- Never charge the batteries that come with the clock.
- Should the batteries ever leak while in the clock, wipe out the fluid with a cloth, taking care not to let any get onto your skin.
- The batteries that come with the clock lose some of their power during transport and storage.
- Never mix old and new batteries, or batteries of different brands.

Free Manuals Download Website

<http://myh66.com>

<http://usermanuals.us>

<http://www.somanuals.com>

<http://www.4manuals.cc>

<http://www.manual-lib.com>

<http://www.404manual.com>

<http://www.luxmanual.com>

<http://aubethermostatmanual.com>

Golf course search by state

<http://golfingnear.com>

Email search by domain

<http://emailbydomain.com>

Auto manuals search

<http://auto.somanuals.com>

TV manuals search

<http://tv.somanuals.com>