

INTRODUCTION

Before using the light, please read this manual and the attached "NiMH Batteries" thoroughly, and keep them for future reference.

Thank you very much for purchasing the CATEYE "SINGLE SHOT HL-EL600RC." This product is a high power rechargeable light unit that integrates a high power LED and a nickel metal-hydride rechargeable battery into a compact body.

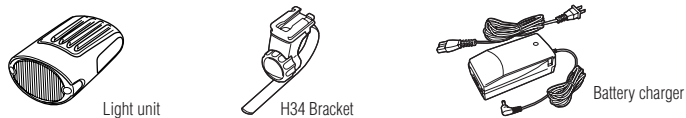
FOR SAFE OPERATION

- Do not place it within children's reach.
- In preparation for unexpected battery shutoff, we recommend you carry a dry-cell battery light unit with you.
- If the light unit or parts become dirty with mud, etc., clean with a soft cloth which is moistened with mild soap. Never apply paint thinner, benzine or alcohol; damage will result.
- Mount the light unit more than 10 cm away from the wireless meter. When it is mounted too close, the transmission may be affected adversely.
- This product has waterproof features that allow you to use it in rain. Do not use it soaked in water.

Before Initial Use

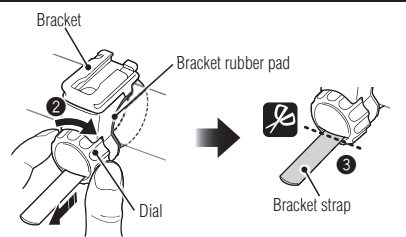
Before shipment, it is charged enough to check the light. Be sure to charge it before use, according to the instructions "How to charge."

COMPONENTS



HOW TO MOUNT

- Wrap the bracket strap around the handlebar, and put it in the dial.
- Securely tighten the strap by turning the dial.
- Cut off the excess bracket strap extending from the dial.
- Insert the light unit to the bracket until it clicks. To remove, pull out while pressing the release button.



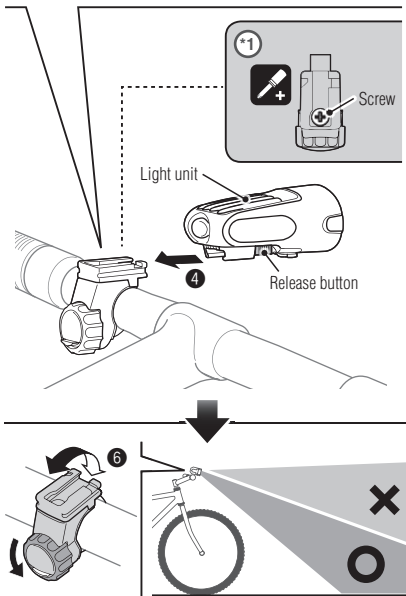
CAUTION!:

- Make sure to tighten the dial by hand. If you tighten it too hard with a tool, the screw threads may be stripped.
- When the angle adjustment on the right and left sides is loose, tighten the screw (*1).
- Round off the cut edge of the bracket strap to prevent injury.

How to Adjust Beam Angle

- Slightly loosen the dial on the bracket.
- Adjust the light unit angle so that the light is not directed to oncoming cars.

* When the dial is too firm to loosen, wash it slightly with water to loosen it.
 * Do not loosen the dial too much, or the bracket strap may come off. Loosen the dial just enough to allow the bracket to move slightly. Securely tighten the dial after adjusting the strap.
 * It can also be adjusted 10 degrees to the left and right.

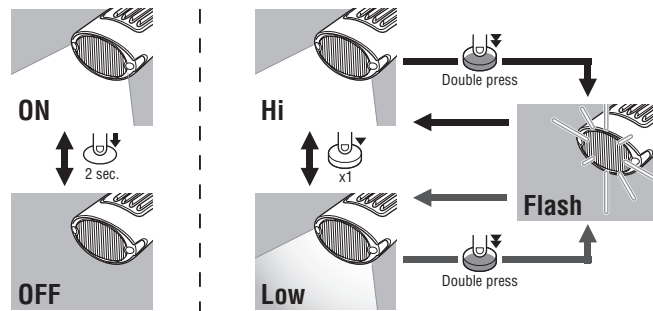
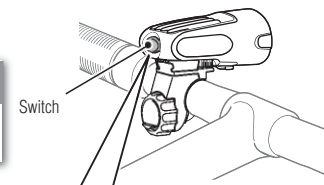


HOW TO USE

1 Lighting (lighting pattern selection)

The lighting pattern is selected using a switch.

Switch	Standard continuous lighting time
ON ↔ OFF : Long press	Hi : About 2 hours
Hi ↔ Low : Single press	Low : About 6 hours
Flash : Quick double press	Flash : About 24 hours



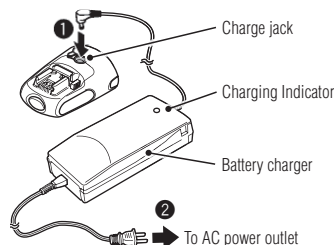
2 Remaining battery capacity

When the battery indicator lights up red, the battery is almost shutoff. Charge the battery as soon as possible.



3 How to charge

- Open the charge jack cover at the back of the light unit to connect the battery charger plug.
- Plug the battery charger to an AC outlet.
- After charging, remove the plug and close the charge jack cover.

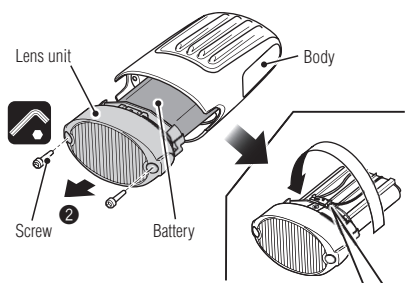


* Be sure to use the special purpose battery charger.
 * Charging and lighting times are approximate values, and will vary by environmental and user conditions.

Charging indicator state	Standard charging time
Blinking red light : Charging	Approx. 5 hours
Green light : Charging is completed	

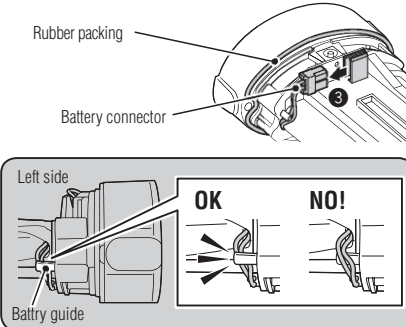
HOW TO REPLACE BATTERY

- Remove 2 screws at the front of the lens using a 2.5 mm Allen wrench.
- Slowly pull out the lens unit from the body.
- Remove the battery connector connected to the board, and replace it with a new battery.
- Place the battery on the tray, and insert it to the body in place, and secure it with 2 screws.



CAUTION!:

- The lens unit is a precision part; therefore, never disassemble it. Otherwise, the optimum light distribution may be lost.
- To maintain its waterproof features, assemble the lens unit with a rubber packing-sheet correctly.
- In order to avoid cable damage, when re-assembling the light, make sure the battery cable is routed inside the battery guide as shown below.



SPARE PARTS

- #533-8827 H34 Bracket
- #534-1859 NiMH 4.8v 780mAh
- UL:#534-1860 UK:#534-1861 EC:#534-1862 AS:#534-1864 CHR-780mAh 4.8v NiMH

SPECIFICATIONS

Light source: High power white LED x 1
 Battery: NiMH 4.8v 780mAh
 Battery charger: CHR-780mAh 4.8v NiMH
 Operating time: Hi : Approx. 2 hours, Low : Approx. 6 hours, Flash : Approx. 24 hours
 Standard charging time: Approx. 5 hours
 Temperature range: Charging : 32°F ~ 104°F (0°C ~ 40°C), Operating : 5°F ~ 113°F (-15°C ~ 45°C)
 Recharge/discharge number of times: About 300 times (until the rated capacity drops to 50%)
 Dimensions/weight: 3-17/64" x 2-23/64" x 1-1/2" (83 x 60 x 38 mm) / 4.09 oz (116 g)
 * The specifications and design are subject to change without notice.

LIMITED WARRANTY

2-year Warranty: Light unit / Battery charger (Deterioration of the battery is excluded.)

CatEye products are warranted to be free of defects from materials and workmanship for a period of 2 years from original purchase. If the product fails to work due to normal use, CatEye will repair or replace the defect at no charge. Service must be performed by CatEye or an authorized retailer. To return the product, pack it carefully and enclose the warranty certificate (proof of purchase) with instruction for repair. Please write or type your name and address clearly on the warranty certificate. Insurance, handling and transportation charges to CatEye shall be borne by person desiring service. For UK and REPUBLIC OF IRELAND consumers, please return to the place of purchase. This does not affect your statutory rights.

CATEYE CO., LTD.

2-8-25, Kuwazu, Higashi Sumiyoshi-ku, Osaka 546-0041 Japan
 Attn: CATEYE Customer Service Section Phone: (06)6719-6863 Fax: (06)6719-6033 E-mail: support@cateye.co.jp URL: http://www.cateye.jp
Service & Research Address for USA
 CATEYE Service and Research Center 1705 14th St. 115 Boulder, CO 80302
 Phone: (303)443-6599 Fax: (303)443-6596 E-mail: service@cateye.com URL: http://www.cateye.com

Free Manuals Download Website

<http://myh66.com>

<http://usermanuals.us>

<http://www.somanuals.com>

<http://www.4manuals.cc>

<http://www.manual-lib.com>

<http://www.404manual.com>

<http://www.luxmanual.com>

<http://aubethermostatmanual.com>

Golf course search by state

<http://golfingnear.com>

Email search by domain

<http://emailbydomain.com>

Auto manuals search

<http://auto.somanuals.com>

TV manuals search

<http://tv.somanuals.com>