

ELECTRIC COUNTER TOP CONVEYOR TOASTER

OPERATION MANUAL



CT-250
CT-500
CT-750

CT-500 Shown



CECILWARE CORPORATION

43-05 20th AVENUE, LONG ISLAND CITY, NEW YORK 11105-1295 ■

718-932-1414 FAX 718-932-7860 www.cecilware.com

NN54A 5/05

TABLE OF CONTENTS

Introduction	page 2
Packaging	page 2
Installation	page 3-4
Operation	page 4-5
Cleaning, Care and Maintenance	page 5
Safety	page 5-6
Trouble shooting	page 6-7
Compliance	page 7
Electrical Diagram	page 7
Explosion View	page 8
Spare Part List	page 9
Specifications	page 10

Introduction

Congratulations on the purchase of your Cecilware Conveyor Toaster. Please take time to carefully read through this manual to ensure the machine is operated and maintained properly. This will enable the best possible performance from this product for many years.

Cecilware will not accept liability for the following if:

- *The instructions in this manual have not been followed correctly.
- *Non-authorized personnel have tampered with the machine.
- *Non-original spare parts are used.
- *The machine has not been handled and cleaned correctly.

Packaging

Cecilware prides itself on quality and service, ensuring that at the time of packing all products is supplied fully functioning and free of damage.

Provided in this package are the following:

- * Conveyor Toaster
- * Crumb Tray
- * Feeder Rack
- * Return Chute
- * Pass through Chute
- * Feet (4)
- * Manual

Should you find any damage that has occurred in transit, please contact your Cecilware dealer immediately?

Installation

Remove the Cecilware Conveyor Toaster from the packaging. Be certain that all protective plastics and residues are thoroughly cleaned from its surface.

Place the Cecilware Conveyor Toaster on a firm level surface.

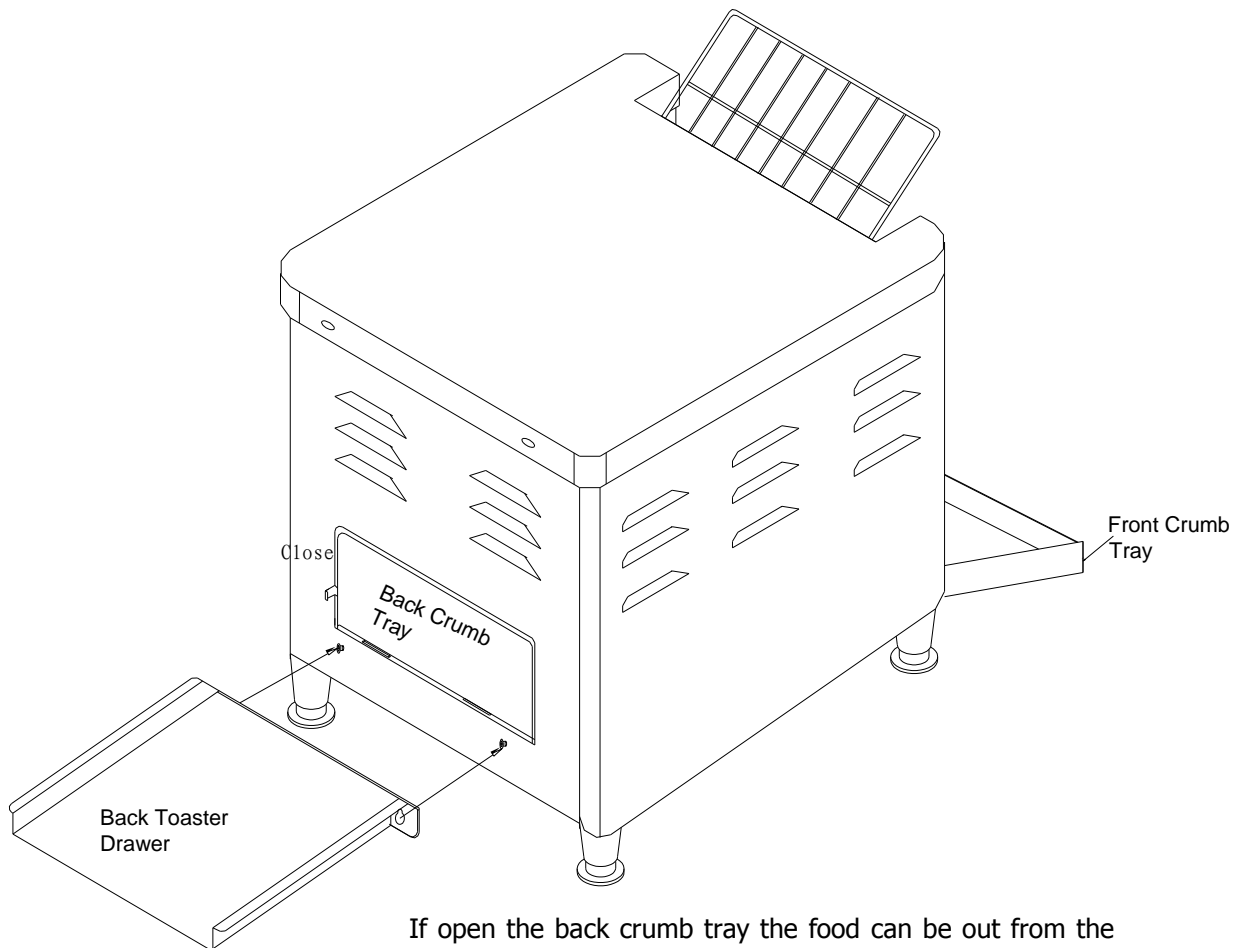
Local standards and regulations should be consulted in order to abide by standards set in relation to positioning, spacing, and ventilation.

Caution:

Do not position and operate near combustible materials/flammable objects. Once the Conveyor Toaster has been placed in position, ensure the front and back stainless steel trays are positioned correctly.

Supply the appropriate power and connect to source. The Conveyor Toaster is now ready to turn on and operate. (For power supply, please see technical specification sheet, page 10).

Your Conveyor Toaster can operate as a pass through operation or return operation. Please see diagrams below and follow the instruction for the appropriate/required method.



If open the back crumb tray the food can be out from the back toaster drawer. If close the back crumb tray the food will be out from the front crumb tray

Fit the Feeder

1. Squeeze the arms of the feeder and slot the arms in to the feeder mounting holes.
2. Rest the legs on the outside of the appliance **[Fig. 1]**.

Return Operation

To set-up the toaster for return operation:

1. Close the back door of the appliance and fix it in the vertical position.
2. Slide the return chute in to the bottom of the appliance and secure it to the two pins located inside the rear of the appliance.

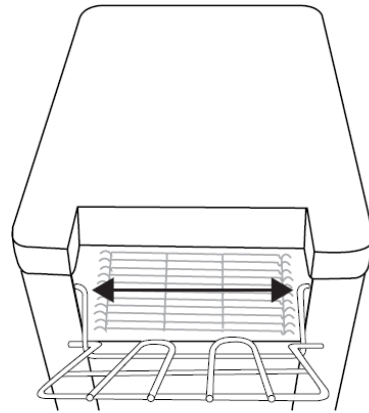


Fig. 1

Pass-through Operation

To set-up the toaster for pass-through operation:

1. Remove the back door of the appliance.
2. Fix it inside the appliance by resting the curved lip of the door on the two pins at the end of the belt **[Fig. 2]**.
3. Attach the Pass-through chute to the hanging screws at the rear of the appliance.

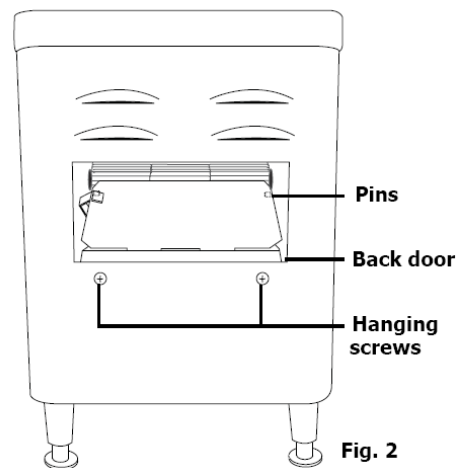


Fig. 2

Operation

The Cecilware Conveyor Toaster has upper and lower elements which can be used together or alternatively; the top element can be used on its own. This can provide flexibility when toasting and grilling.

The Toaster has 3 functions which are controlled by the function dial on the left of the unit. See below for the listed functions

Settings:

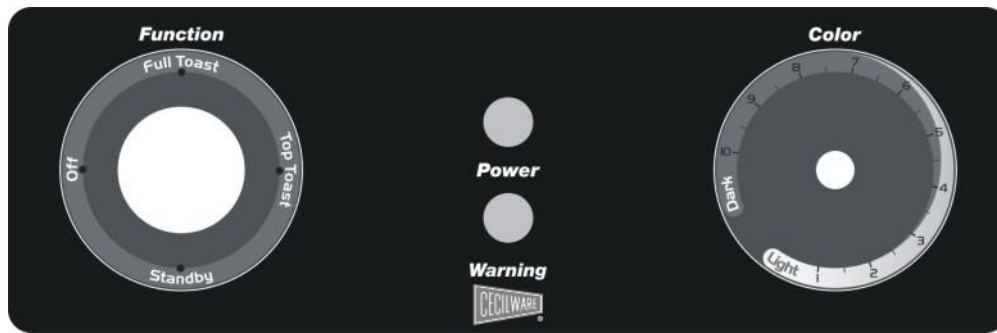
Off: Power Off

Full Toast: Provide Full power to both Upper and Lower elements

Top Toast: Provide full power to the upper element only

Standby: Energy Saver – reduce power to unit to save power whilst not in use, whilst keep the unit warmer for fast heat when required.

Please see diagram below.



Additionally you are able to control the speed of the conveyor rotations which in turn determine the darkness/lightness of you toasted products.

- Adjusting the speed control in a clockwise direction will increase the speed in turn resulting in lighter toasted products.
- Adjusting the speed control in a anti-clockwise direction will slow the conveyor speed in turn resulting in darker toasted products

Please see diagram above.

Important Notice: If the malfunction lights activates, the unit is malfunctioning. Turn off or disconnect the unit from the power supply and refer to a qualified service technician.

***Caution:** When in operation, the Conveyor Toaster will be hot; at the entrance to the conveyor cavity. Please take extreme caution.

Cleaning, Care and Maintenance

Switch off the power and disconnect from the power source.

The Conveyor Toaster should be cleaned after each day's operation; however, the unit may require more frequent cleaning, depending on the volume of production.

Allow the Conveyor Toaster to cool before cleaning. Remove the return chutes, feeder and crumb trays and wipe clean with a damp cloth; be sure to dry before returning them to the unit. For details cleaning these non electrical parts can be submerged and wash thoroughly if needed.

The remainder of the Conveyor Toaster can be cleaned with a damp cloth using hot, soapy water.

Do not immerse completely in water or use hose to clean.

Warm soapy water is recommended for cleaning; prolonged use of cleaning agents may cause damage to stainless steel.

Safety

Cecilware Qualified Service Technician should carry out repairs if necessary. Do not remove any components or service panels on this product.

When cleaning, switch power off and disconnect from the outlet. If the power cord is damaged, it must be replaced by a Cecilware Recommended Qualified Service Technician in order to avoid a hazard.

Allow the Conveyor Toaster to cool down after use before dismantling for cleaning; the unit will still be too hot to handle immediately after use.

Trouble Shooting

If your Cecilware Conveyor Toaster does not operate, please check the following before placing a service call.

Conveyor Toaster	CT-250, CT-500, CT-750	
Problem	Cause	Remedy
The unit does not work; the indicator light is not on.	1. Mains power supply	1. Check mains power supply.
	2. Unit is not switched on	2. Check that the unit is correctly plugged in and turned on; ensure you have read the manual for both for the operations functions.
	3. Dial Control or Timer are faulty	3. Call service agent or qualified technician.
	4. Plug and lead are damaged	4. Call service agent or qualified technician.
	5. Internal wiring fault	5. Call service agent or qualified technician.
The unit is heating but the indicator lights are not on.	1. The indicator light is faulty	1. Call service agent or qualified technician.
Slow heat up or no heat up, power is on.	1. Incorrect operation 2. Warm Up	1. Ensure that you have clearly read the manual, to understand the operating functions. 2. Allow 5 minutes warm up period.
	3. Elements are faulty	3. Call service agent or qualified technician.
	4. Power dial is faulty	4. Call service agent or qualified technician.
Conveyor is not rotating	1. The unit is not on or the function control is not activated. 2. Speed Control Fault 3. Motor Fault 4. Gear/Chain Fault	1. Turn the unit on and adjust function control to required setting. 2. Call service agent or qualified technician. 3. Call service agent or qualified technician. 4. Call service agent or qualified technician.

Please ensure:

- * There is correct power supply.
- * The machine is plugged in correctly and power is switched on.
- * The timer and thermostat are in the correct position.
- * The elements are clear of any food waste.

Note: All Cecilware products are tested prior to packing.

Compliance

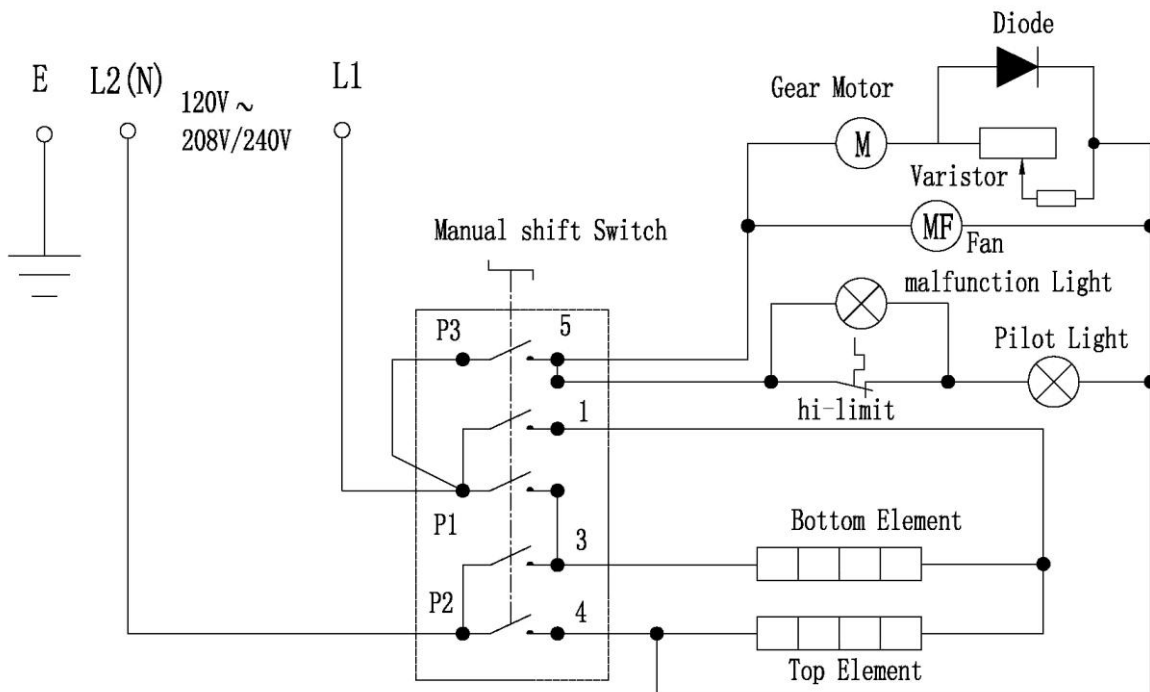
Cecilware products have undergone strict product testing in order to comply with regulatory standards and specifications set by international, independent, and federal authorities.

As testimony to such compliance, Cecilware products carry the following marks/symbols:



Electrical Diagram

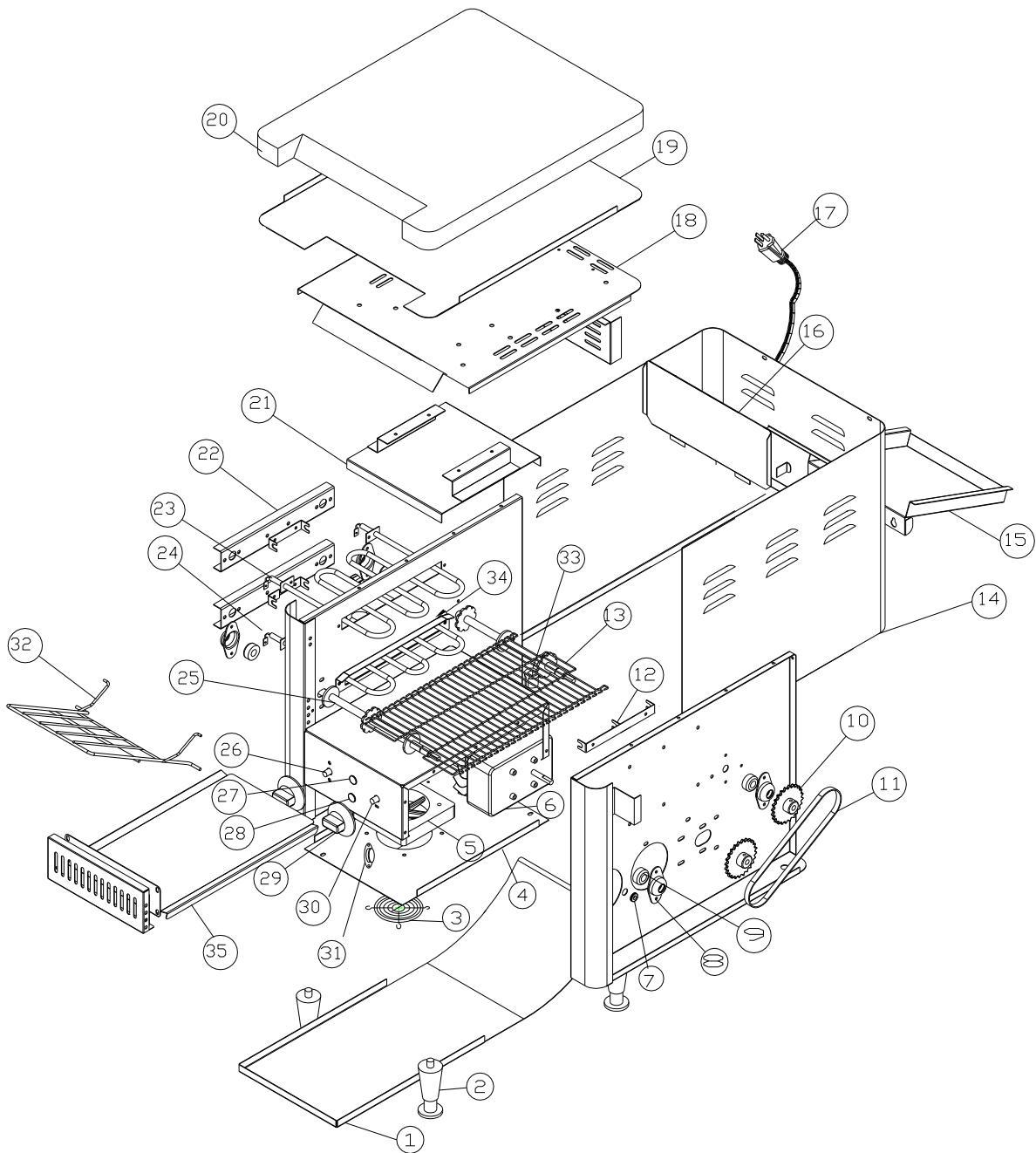
Model: CT-250, CT-500, CT-750



The above circuit diagram has been provided to assist qualified technicians. A Recommended Qualified Service Technician should carry out repairs if needed. Do not remove any components or service panels on this product.

Explosion View

Model: CT-250, CT-500, CT-750



Spare Parts List

Model: CT-250, CT-500, CT-750

No.	Description	CT-250		CT-500		CT-750	
		QTY	Part NO.	QTY	Part NO.	QTY	Part NO.
1	Return Chute	1	NA	1	NA	1	NA
2	Feet	4	08131	4	08131	4	08131
3	Fan Cover	1	08132	1	08133	1	08133
4	Base Plate	1	NA	1	NA	1	NA
5	Fan	1	08134	1	08135	1	08135
6	Motor	1	08136	1	08137	1	08137
7	Nosing	2	08138	2	08138	2	08138
8	Shaft Bracket	4	08139	4	08139	4	08139
9	Shaft Cover	4	08140	4	08140	4	08140
10	Wheel	2	08112	2	08112	2	08112
11	Chain	1	08128	1	08128	1	08128
12	Element Fixing Plate	4	08141	4	08141	4	08141
13	Conveyor Belt	1	08142	1	08143	1	08144
14	Outer Body	1	NA	1	NA	1	NA
15	Pass Through Chute	1	NA	1	NA	5	NA
16	Back Door Chute	1	NA	1	NA	1	NA
17	Plug & Lead	1	08055	1	08047	1	08047
18	Inner Top Panel	1	NA	1	NA	1	NA
19	Inner Insulation Baffle	1	NA	1	NA	1	NA
20	Top Cover	1	NA	1	NA	1	NA
21	Element Cover	1	08145	1	08146	1	08147
22	Element Assembly Plate	2	08154	2	08154	2	08154
23	Upper Element	1	08118	1	08120	1	08122
24	Lower Element	1	08119	1	08121	1	08123
25	Conveyor Drive Shaft	2	08148	2	08149	2	08150
26	Multi Function Control Switch	1	08151	1	08151	1	08151
27	Green Indicator Light	1	08152	1	08153	1	08153
28	Red Indicator Light	1	08032	1	08067	1	08067
29	Dial	2	08109	2	08109	2	08109
30	Variable Speed Controller	1	08155	1	08156	1	08156
31	Thermal Cut Out	1	08157	1	08157	1	08157
32	Feeder	1	08158	1	08159	1	08160
33	Bushing	1	08161	1	08161	1	08161
34	Conveyor Support Runner	1/L 1/R	NA NA	2	NA NA	2	NA NA
35	Crumb tray	1	08106	1	08107	1	08108
*	Resistance	1	NA	1	NA	1	NA

Specifications

MODEL	Volt(V)	POWER (Watts)	Amps(A)	DIMENSIONS (INCHES) L X W X H
CT-250	120	1500	12.5	16.5 x 11.4 x 16.1
CT-500	208/240	2000/2600	9.6/10.8	16.5 x 14.5 x 16.1
CT-750	208/240	2400/3200	11.5/13.3	16.5 x 18.5 x 16.1



CECILWARE CORPORATION

43-05 20th AVENUE, LONG ISLAND CITY, NEW YORK 11105-1295 ■

718-932-1414 FAX 718-932-7860 www.cecilware.com

Free Manuals Download Website

<http://myh66.com>

<http://usermanuals.us>

<http://www.somanuals.com>

<http://www.4manuals.cc>

<http://www.manual-lib.com>

<http://www.404manual.com>

<http://www.luxmanual.com>

<http://aubethermostatmanual.com>

Golf course search by state

<http://golfingnear.com>

Email search by domain

<http://emailbydomain.com>

Auto manuals search

<http://auto.somanuals.com>

TV manuals search

<http://tv.somanuals.com>