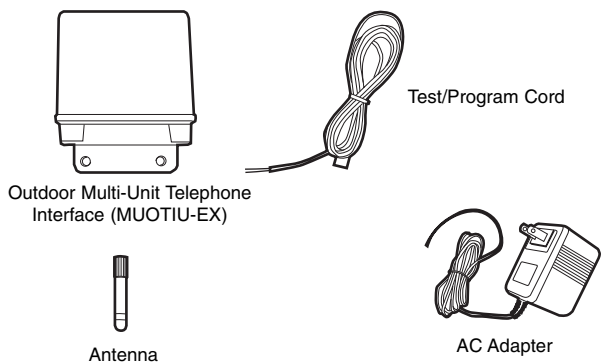


Overview

The Outdoor Multi-Unit Telephone Interface uses a 900 Mhz secure digital radio link that allows secure conversations and gate operator control. The Outdoor Multi-Unit Telephone Interface (MUOTIU-EX) is compatible with various Liftmaster Wireless Products.

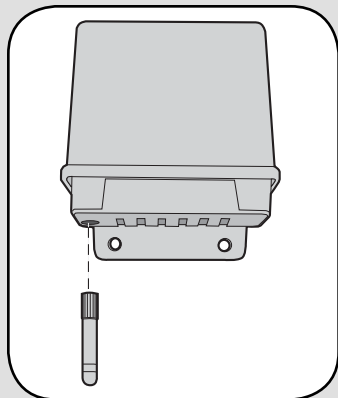
Carton Inventory



Assembly & Installation

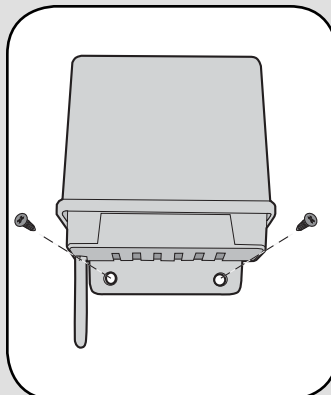
Choose location near the de-mark location.

Step 1



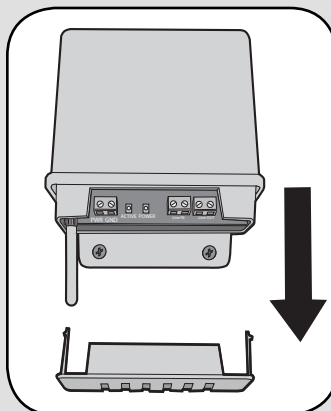
Screw in antenna.

Step 2



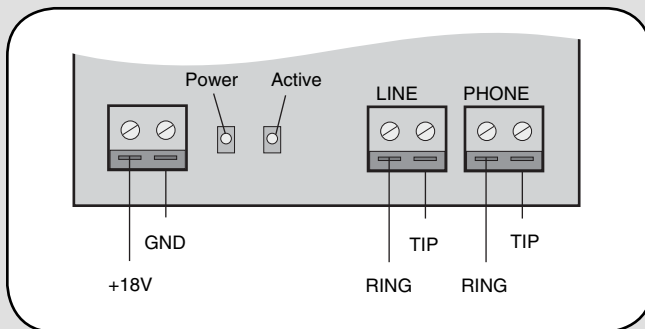
Mount to solid surface.

Wiring to AC Adapter



Remove bottom panel of the MUOTIU-EX.

Connect the Solid Black Wire to the GND Terminal (shown below).
 Connect the Striped Wire to the +18V Terminal (shown below).



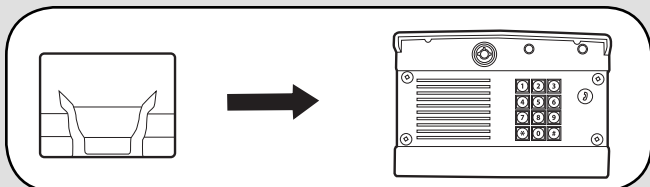
Use the supplied Test/Program Cord for programming and testing before completing connections to phone company's de-mark box.

Program Accessories

With Existing Network

NOTE: If programming into an existing network, ensure the MUOTIU-EX is programmed to the Active unit. The MUOTIU-EX acts as a wireless remote autodialer in a dedicated line system. A conversation cannot be held on the phone connected to the MUOTIU-EX.

Multi-Unit Gate Access Panel (MUGAPLM)



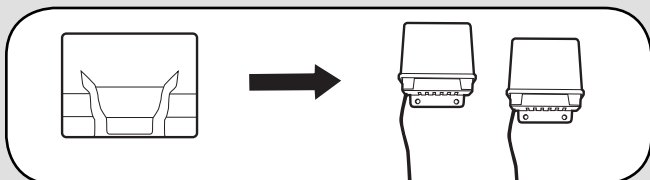
Step 1: On the phone connected to the MUOTIU-EX, press “**07” after hearing the dial tone. Listen for double beep. Hang up and Learn LED will flash for 15 seconds. If an error tone is heard it means that memory will have to be cleared (see *Troubleshooting*).

Step 2: Within 15 seconds enter Master PIN Number on MUGAPLM. A beep will be heard.

Step 3: Press “05”.

Step 4: Press “01” then press the Call button. The MUOTIU-EX will ring the telephone and Caller ID will display “Unit Learned”.

Repeaters



NOTE: Ensure that all devices are not programmed.

Step 1: On **ONE** Repeater, set Dipswitch #1 to ON.

Step 2: Press Learn button on both Repeaters.

Step 3: Enter Master PIN Number on the MUGAPLM followed by “05”.

Step 4: Then press “01” followed by the Call button. The LEDs on the Repeaters will flash 3 times indicating programming is successful.

Step 5: Wait until the MUGAPLM has stopped beeping or press the Cancel button before programming Repeaters to the MUOTIU-EX.

Step 6: On the phone connected to the MUOTIU-EX, press “**07” after hearing the dial tone. Hang up and Learn LED will flash for 15 seconds. If an error tone is heard it means that memory will have to be cleared (see *Troubleshooting*).

Step 7: Within 15 seconds press the Learn button on **ONE** Repeater. The LED will light.

Step 8: The MUOTIU-EX will ring the telephone and Caller ID will display “Unit Learned”.

NOTE: If the Repeaters have not been programmed to anything within an existing network, see Repeater manual for further instructions.

Features & Operation

NOTE: Any features of the MUOTIU-EX do not require extra service from the Telephone Company.

Answering Calls

When visitor presses the number (00-63) then the Call button, the MUOTIU-EX will call the desired resident. If an expandable MUOTIU-EX system is used all phones within the system will ring. When call is answered from the MUOTIU-EX a repeating beep will be heard for up to 10 seconds. To accept the call dial “0”.

To activate the primary gate operator dial “*9” on the phone connected to the MUOTIU-EX.

Program Residential Phone Number

Step 1: On the phone connected to the MUOTIU-EX, dial “*#”. A beep will be heard.

Step 2: Enter a residence number 00 through 63.

Step 3: Enter the telephone number of the desired residence (up to 14 digits).

Step 4: Dial “#”. A beep will be heard.

NOTE: For long distance calls, include proper prefix.

Verify the Residential Phone Number

Step 1: On the phone connected to the MUOTIU-EX, dial “**06#”. A beep will be heard.

Step 2: Enter a residence number 00 through 63.

Step 3: Dial “#”. A beep will be heard. Hang up the telephone.

The telephone will ring and the call forwarding number that has been programmed will be displayed on Caller ID screen (briefly then disappears).

Erase Phone Number

To erase ONE phone number, on the phone connected to the MUOTIU-EX, dial “**03#(00-63)#”.

To erase ALL phone numbers, on the phone connected to the MUOTIU-EX, dial “**01****”.

NOTE: Erasing all phone numbers can take up to 15 seconds.

PIN Number Functions

Number	Function
*#(00-63)#(Phone Number)#	Program number
01**	Erase ALL numbers
**03#(00-63)#	Erase ONE number
**07	Activate the MUOTIU-EX
**06#(00-63)#	Verify Call Forwarding Number
**#8	Clear memory
*9	Activate gate

Canada

NOTE: For use with version 7 and higher.

To enable Canadian Mode press "***13". To disable Canadian Mode press "#*16". The Canadian programming numbers are shown in the table below:

Number	Function
##(00-63)#(Phone Number)#	Program number
#*01****	Erase ALL numbers
#*03#(00-63)#	Erase ONE number
#*07	Activate the MUOTIU-EX
#*06#(00-63)#	Verify Call Forwarding Number
##*8	Clear memory
#9	Activate gate

Troubleshooting

Dial tone is not heard after connecting to the MUOTIU-EX.

Check phone connections. If it is a two-line phone ensure it is on Line 1.

If a dual-tone error tone is heard when trying to open gate, ensure MUOTIU-EX is programmed to the correct MUGAPLM. Check that gate operator has been taught to master unit as well.

If MUOTIU-EX has already been programmed it will need to have memory cleared (see below).

Memory needs to be cleared.

Clearing MUOTIU-EX memory will not clear any MUOTIU-EX settings or programmed phone numbers. To clear memory, dial "***#8" on the telephone connected to the MUOTIU-EX. A beep will be heard.

When dialing numbers a dial tone is heard.

All numbers and symbols must be dialed within 3 seconds of each other, otherwise the MUOTIU-EX times out and returns to dial tone.

MUOTIU-EX is not getting expected transmission range.

When used in buildings with stucco or cement walls, the range is greatly reduced. The Repeaters can be used close to the building to solve this problem.

Keep MUOTIU-EX away from trees, metal objects, masonry, computers, and any other "Radio Noise Source". Radio devices that run on 900 Mhz also affect range. Turn them off and see if reception has improved.

Keep antenna vertical.

After dialing "'9" a beep is heard, then an error tone.

Check batteries in GCU.

Will not accept command after dialing "****".

Check the line and telephone connections.

Telephone does not ring when Call button is pressed.

If the Active LED on MUOTIU-EX flashes after Call button is pressed, check telephone connections and verify that the phone number is correct.

If the Active LED on MUOTIU-EX does not flash after the Call button is pressed, see Programming Accessories to ensure MUOTIU-EX is programmed correctly.

NOTE: If the channels are changed all devices in the network need to be erased and reprogrammed.

There is a buzzing or failed connection when call is answered.

Move MUOTIU-EX away from phone and/or computer. Try changing channel of MUOTIU-EX and/or the channel on the MUGAPLM (see Multi-Unit Gate Access Panel manual).

Only first couple of words from caller are heard.

Lower the MUGAPLM microphone sensitivity (see Multi-Unit Gate Access Panel manual).

FOR TECHNICAL SUPPORT DIAL OUR TOLL FREE NUMBER:

1-800-528-2806

www.liftmaster.com

NOTICE: To comply with FCC and or Industry Canada rules (IC), adjustment or modifications of this receiver and/or transmitter are prohibited, except for changing the code setting or replacing the battery. THERE ARE NO OTHER USER SERVICEABLE PARTS.
Tested to Comply with FCC Standards FOR HOME OR OFFICE USE. Operation is subject to the following two conditions: (1) this device may not cause harmful interference, and (2) this device must accept any interference received, including interference that may cause undesired operation.

Free Manuals Download Website

<http://myh66.com>

<http://usermanuals.us>

<http://www.somanuals.com>

<http://www.4manuals.cc>

<http://www.manual-lib.com>

<http://www.404manual.com>

<http://www.luxmanual.com>

<http://aubethermostatmanual.com>

Golf course search by state

<http://golfingnear.com>

Email search by domain

<http://emailbydomain.com>

Auto manuals search

<http://auto.somanuals.com>

TV manuals search

<http://tv.somanuals.com>