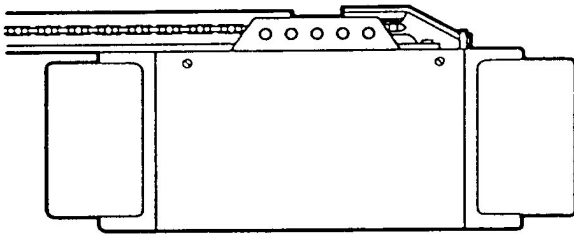


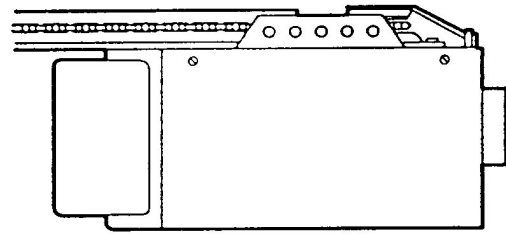
Garage Door Opener

Owner's Manual

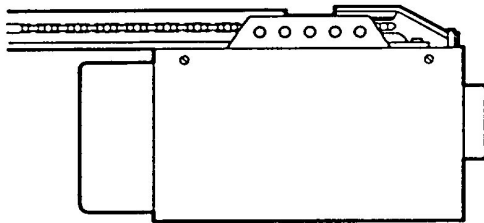
FOR RESIDENTIAL USE ONLY



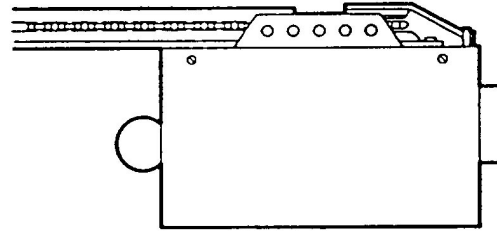
SERIES 5000-1/2HP



SERIES 4000 & 700 WHC -1/2HP



SERIES 2000- 1/3HP



SERIES 1000- 1/4HP

CAUTION! PLEASE READ THIS MANUAL CAREFULLY

The MODEL NUMBER label is located on the front panel of your opener.

THIS DEVICE COMPLIES WITH FCC RULES PART 15. Operation of this device is subject to the following two conditions: 1. This device may not cause harmful interference. 2. This device must accept any interference that may be received, including interference that may Cause undesired operation

CONTENTS	PAGE	CONTENTS	PAGE
Safety Rules.....	2	Force Adjustments	21
Features of Your Opener	3	Safety Reverse Test	22
Specifications	3	The Protector System Accessory	22
Tools You'll Need	3	Setting/Changing Code	23
Completed Installation Illustrations	4	Having A Problem?	24
Operation of Your Opener	5	Carton Contents & Hardware Illustrated	26
Accessories	5	Repair Parts, Rail Assembly	26
Care & Maintenance of Your Opener	6	Repair Parts, Installation.....	26
Assembly Instructions.....	7	Repair Parts, Chassis Assembly	27
Installation Instructions.....	10	How to Order Repair Parts	28
Travel Limit Adjustments	20	Warranty	28

FASTEN THIS MANUAL NEAR THE GARAGE DOOR AFTER INSTALLATION.
 PERIODIC CHECKS OF THE OPENER ARE REQUIRED TO INSURE SATISFACTORY OPERATION.

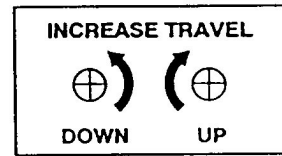
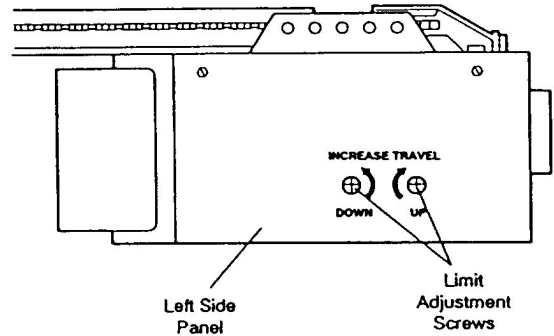
ADJUSTMENT STEP 1

Adjust UP and DOWN Limits

LIMIT ADJUSTMENT settings regulate the points at which the door will stop when moving up or down.

NOTE: Door **STOPS** In the **UP** direction If anything interferes with door travel. Door **REVERSES** in the **DOWN** direction If anything interferes with the door travel (including binding or unbalanced doors).

PROCEDURE: To operate the opener, press the Door Control Button. Run the opener through a **COMPLETE TRAVEL CYCLE**. No limit adjustments are necessary when the door opens and closes completely and doesn't reverse unintentionally when fully closed.



Adjustment Label

The following chart outlines adjustment procedures. Run the opener through a **COMPLETE TRAVEL CYCLE AFTER EACH ADJUSTMENT**.

NOTE: REPEATED OPERATION OF THE OPENER DURING ADJUSTMENT PROCEDURES MAY CAUSE MOTOR TO OVERHEAT AND SHUT OFF. SIMPLY WAIT 15 MINUTES AND TRY AGAIN.

Read the chart carefully before proceeding to Step 2. Use a screwdriver to make limit adjustments.

LIMIT ADJUSTMENT CHART

IF DOOR DOES NOT OPEN COMPLETELY BUT OPENS AT LEAST FIVE FEET

Increase UP travel. Turn the UP LIMIT adjustment screw clockwise. One turn equals 2" of travel.

If door does not open at least 5 feet: adjust UP (OPEN) FORCE as explained in Step 2.

IF DOOR DOES NOT CLOSE COMPLETELY

Increase DOWN travel. Turn down limit adjustment screw counterclockwise. One turn equals 2" of travel.

If the door still will not close completely, the header bracket is positioned too high. See Step 1, page 10.

IF OPENER REVERSES IN FULLY CLOSED POSITION

Decrease DOWN travel. Turn down limit adjustment screw clockwise. One turn equals 2 inches of travel.

IF DOOR REVERSES WHEN CLOSING AND THERE IS NO INTERFERENCE TO TRAVEL CYCLE

Test door for binding: Pull manual release handle. Manually open and close door. If door is binding, call for garage door service. If door is not binding or unbalanced, adjust DOWN (CLOSE) FORCE. See Step 2.

ADJUSTMENT STEP 2

Adjust Force



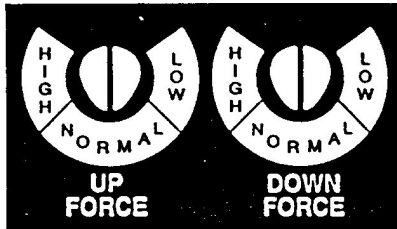
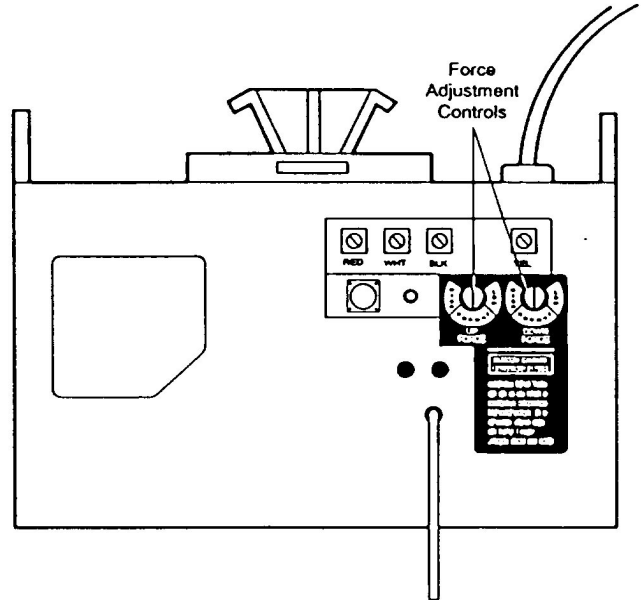
DO NOT USE FORCE ADJUSTMENTS TO COMPENSATE FOR A BINDING OR STICKING GARAGE DOOR. EXCESSIVE FORCE WILL INTERFERE WITH PROPER OPERATION OF SAFETY REVERSE SYSTEM OR DAMAGE GARAGE DOOR.

Force Adjustment Controls are located on rear panel of opener. FORCE ADJUSTMENT settings regulate amount of the power required to open and close door.

NOTE: The door STOPS in the UP direction if anything Interferes with its travel. Door REVERSES In the DOWN direction If anything interferes with Its travel (Including binding or unbalanced doors).

If the force adjustments are set too light, door travel may be interrupted by nuisance reversals in DOWN direction and stops in UP direction. Weather conditions can affect the door movement, occasional adjustment may be needed.

Maximum force adjustment range is 260 degrees, about 3/4 of a complete turn. Do not force controls beyond that point. Turn force adjustment controls with a screwdriver.



Adjustment Label

FORCE ADJUSTMENT CHART

TEST DOWN (CLOSE) FORCE

Grasp the door handle or door bottom when door is about halfway through DOWN (CLOSE) TRAVEL. Door should reverse. If the door is hard to hold or doesn't reverse, decrease DOWN (CLOSE) FORCE by turning the control in a counterclockwise direction. Make 10 degree turn adjustments until door reverses normally. After each adjustment, run opener through a complete cycle.

PROCEED TO STEP 3

IF DOOR DOESN'T OPEN AT LEAST 5 FEET

Increase UP (OPEN) FORCE by turning the control in a clockwise direction. Make 10 degree turn adjustments until door opens completely. Readjust UP LIMIT if necessary. After each adjustment, run opener through a complete travel cycle.

IF DOOR REVERSES DURING DOWN (CLOSE) CYCLE

Increase DOWN (CLOSE) FORCE by turning control clockwise Make 10 degree turn adjustments until door completes close cycle. After each adjustment, run the opener through a complete travel cycle.

ADJUSTMENT STEP 3

Test Safety Reverse System

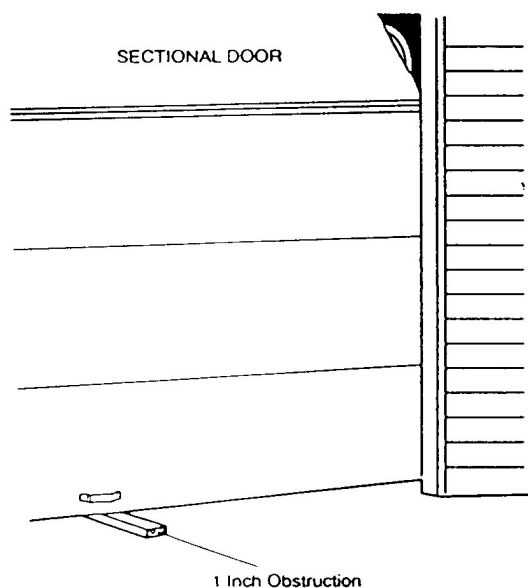
PROCEDURE: Place a one-inch obstacle on the floor under the garage door. Operate door in DOWN direction. The door MUST reverse on the obstruction.

If the door STOPS on the obstruction, it is not traveling far enough in the DOWN direction. Increase the DOWN limit by turning DOWN limit adjustment screw counterclockwise 1/4 turn. REPEAT TEST.

NOTE: Make sure limit adjustments do not force the door arm beyond a straight up and down position. See the Illustration on Page 18/19.

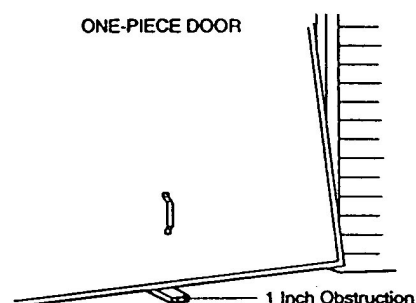
When the door reverses on the one-inch obstacle, remove the obstruction and run the opener through a complete travel cycle

Door MUST NOT reverse in closed position. Repeat Adjustment Steps 1, 2 and 3 if necessary.



THE SAFETY REVERSE SYSTEM TEST IS IMPORTANT. GARAGE DOOR MUST REVERSE ON CONTACT WITH A ONE-INCH

OBSTACLE PLACED ON THE FLOOR. FAILURE TO PROPERLY ADJUST OPENER MAY RESULT IN SERIOUS PERSONAL INJURY FROM A CLOSING GARAGE DOOR. REPEAT TEST ONCE A MONTH AND ADJUST AS NEEDED.



REPEAT ADJUSTMENT STEP 3 AFTER:

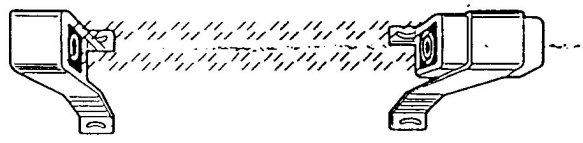
- EACH ADJUSTMENT OF DOOR ARM LENGTH, CLOSE FORCE OR DOWN LIMIT.
- ANY REPAIR OR ADJUSTMENT OF GARAGE DOOR (INCLUDING SPRINGS AND HARDWARE).
- ANY REPAIR OR BUCKLING OF THE GARAGE FLOOR.
- ANY REPAIR OR ADJUSTMENT OF THE GARAGE DOOR OPENER.

THE PROTECTOR SYSTEM™

Installation of Optional Safety Feature

After opener has been installed and adjusted, **THE PROTECTOR SYSTEM** accessory can be installed.

Instructions are included with this optional device.



THE PROTECTOR SYSTEM PROVIDES AN ADDITIONAL MEASURE OF SAFETY AGAINST A SMALL CHILD BEING CAUGHT UNDER A GARAGE DOOR. It uses an Invisible beam which, when broken by an obstruction, causes a closing door to open and prevents an open door from closing. **STRONGLY RECOMMENDED FOR HOMEOWNERS WITH YOUNG CHILDREN.**

Radio Controls

F.C.C. rules prohibit adjustments to or modification of receiver and/or remote control transmitter circuitry except for changing code setting and replacing remote control transmitter battery. NO USER SERVICEABLE PARTS.

Manufactured under 1 or more of the following U.S. patents: RE29,525; 4,037,201; 4,750,118; 4,806,930 Other Patents Pending.



ACTIVATE THE OPENER ONLY WHEN DOOR IS IN FULL VIEW, FREE OF OBSTRUCTION AND PROPERLY ADJUSTED. NO ONE SHOULD ENTER OR LEAVE GARAGE WHILE DOOR IS IN MOTION. DO NOT ALLOW CHILDREN TO OPERATE REMOTES OR DOOR CONTROL BUTTONS. DO NOT ALLOW CHILDREN TO PLAY NEAR THE DOOR.

Your garage door opener receiver and remote control transmitter have been factory set to a matching code. Models having multi-function remote controls will activate when LARGE button on remote is pressed. If you want to CHANGE your code or purchase additional remotes, follow the Instructions below. The code in any NEW remote control must be set to match the code in the original remote control.

MATCH/CHANGE THE CODE IN REMOTE CONTROL(S)

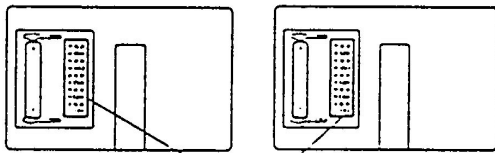
Slide battery compartment cover back to access code switches in your remote control and any new remote. Place remotes side by side as shown. Use a pen or screwdriver to slide the switches to (+, -, 0) positions.

Multi-Function Remotes: Set code switches 2 through 9 in ALL remotes to matching positions. Code switch 1 in a multi-function remote is neutral. It can be set to any position.

Single Function Remotes: Set code switches 1 through 9 to matching positions.

Combination of Single and Multi-Function Remotes: Set code switches 2 through 9 to match. Set single function remote code switch 1 to match position of selected push button on multi-function remote (Figure B).

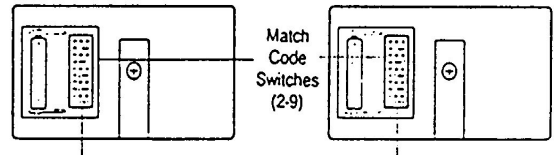
Single-Function Remote Control



Match Code Switches (1-9)

When used with multi-function remote, set single function remote Code Switch #1 to match push button selected on multi-function remote. (See illustration below.)

Multi-Function Remote Control



Code Switches (1-9)

Code Switches (1-9)

Code Switch #1 in a multi-function remote is neutral set it to any position.

MATCH/CHANGE THE CODE IN THE RECEIVER

"SMART" GARAGE DOOR OPENERS

Set all remotes to matching code settings as shown above. Select a push button to operate the door opener.

MULTI-FUNCTION REMOTE CONTROL ONLY:

Select a push button to operate receiver. LARGE button is recommended for garage door opener.

YOU MAY WANT SOMEONE TO HELP AT THIS POINT!

1. Press and HOLD the selected remote control push button.
2. Then press the receiver 'Smart' button on the back panel of the opener. The adjacent indicator light will FLASH and the door will begin to MOVE. Release the remote control push button.

The opener will now operate when either the door control push button or the transmitter push button is pressed.

NOTE: If the transmitter push button is not held down until the receiver indicator light flashes, the receiver will not learn the code.

To use the multi-function remote control with other 'Smart' receivers: Select another remote push button to operate additional garage door opener. All remotes used to operate receiver must be set to same code. Then repeat above procedure.

MULTI-FUNCTION REMOTE CONTROL
Select a remote control push button to operate receiver

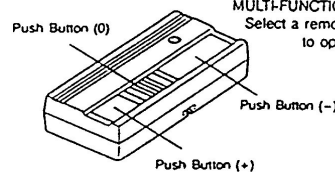
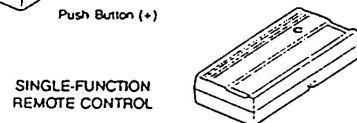
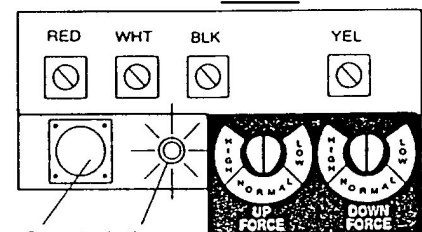


FIG. B



SINGLE-FUNCTION REMOTE CONTROL

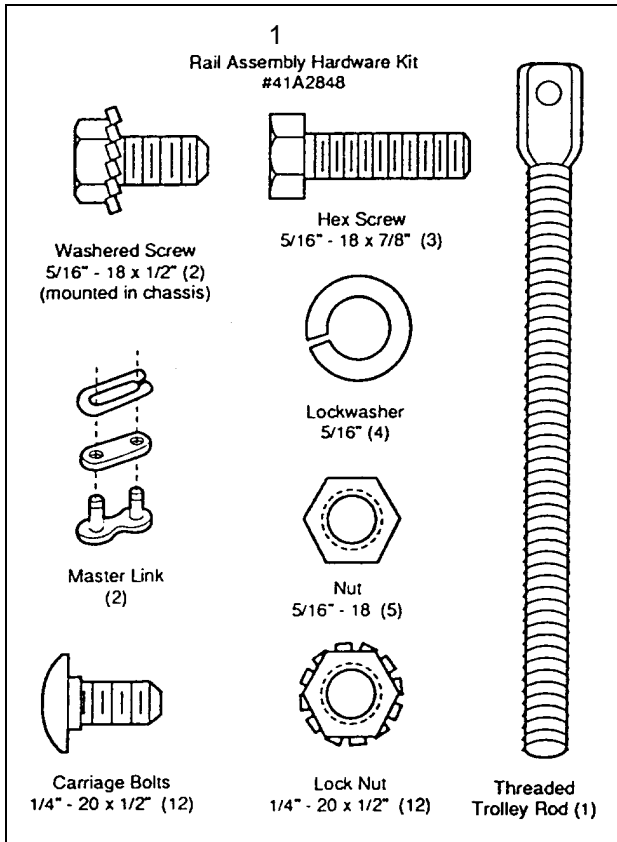


RECEIVER

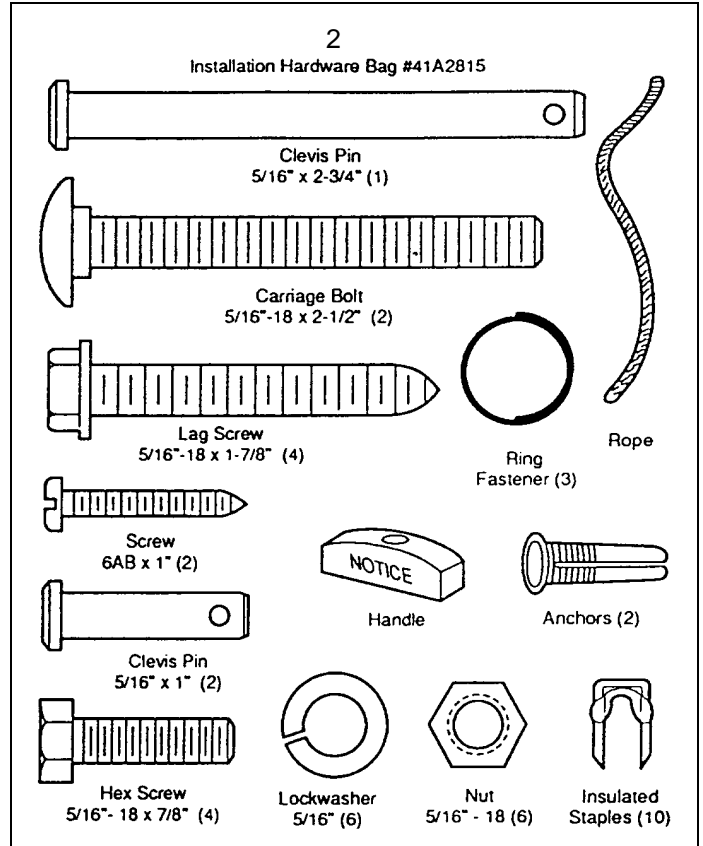
To use the multi-function remote with light products and garage door openers having 'Code Switch' receivers, refer to instructions included with the product.

Repair Parts

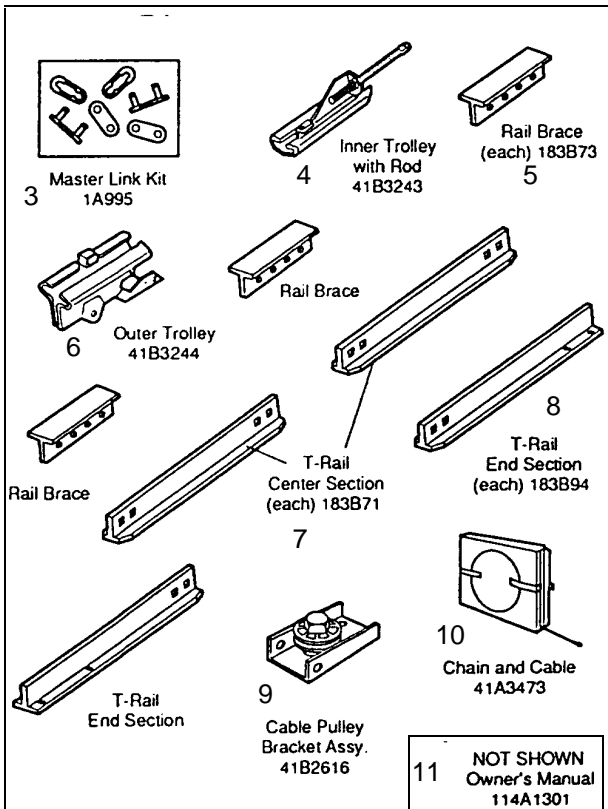
ASSEMBLY HARDWARE



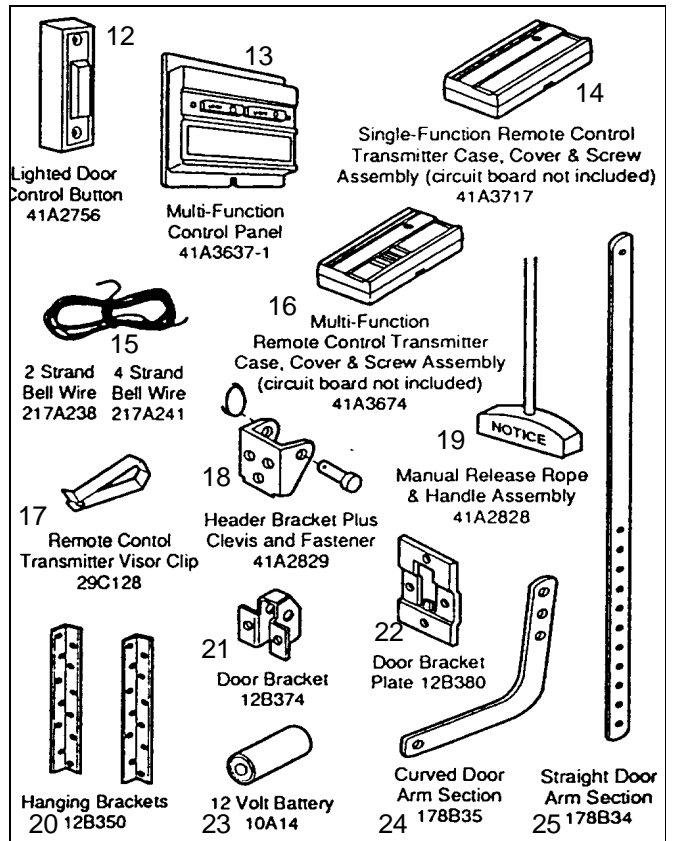
INSTALLATION HARDWARE



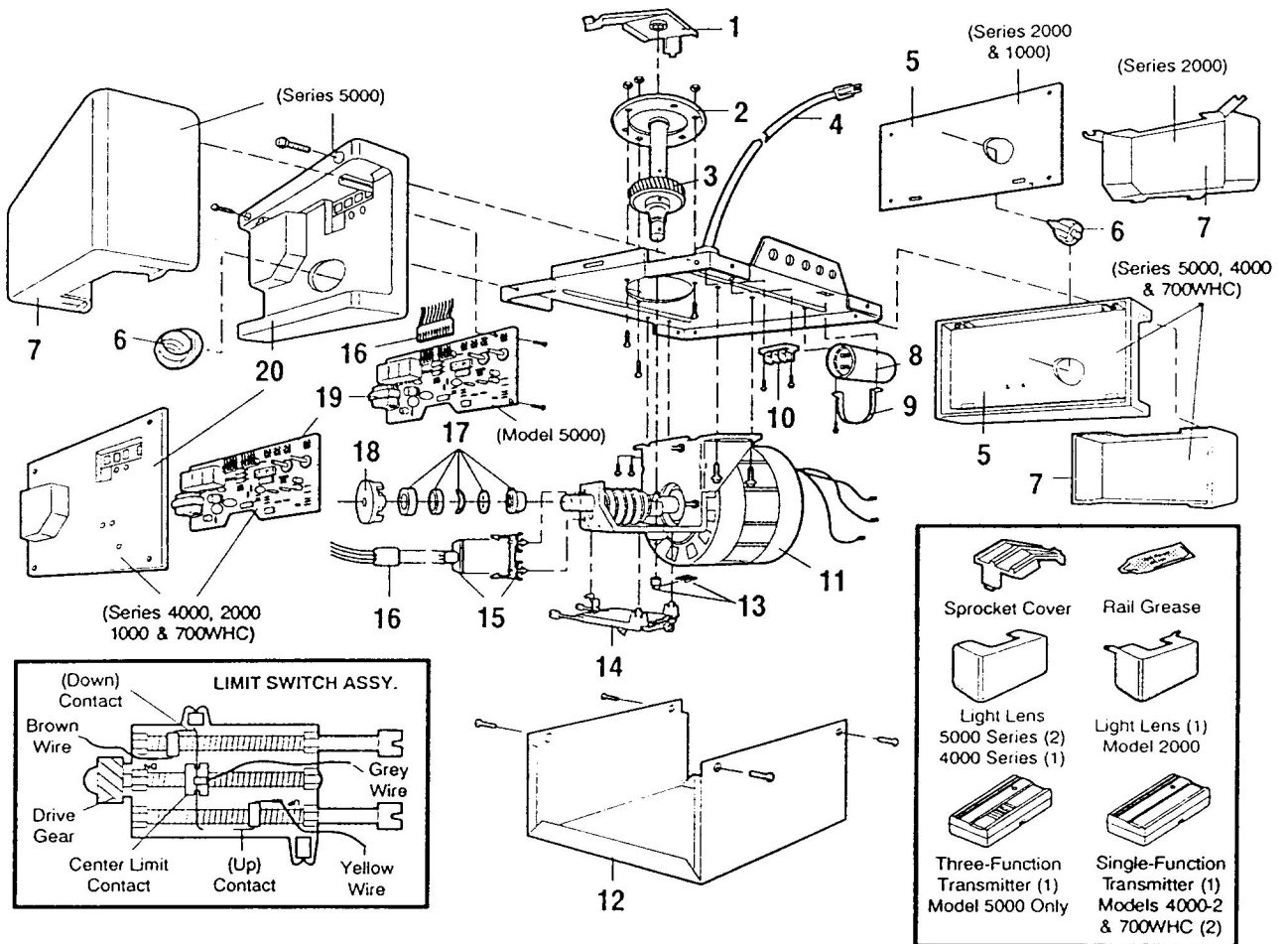
RAIL ASSEMBLY PARTS



INSTALLATION PARTS



Chassis Assembly Parts List



KEY NO.	PART NO.	DESCRIPTION	KEY NO.	PART NO.	DESCRIPTION
1	31C290	Sprocket cover	11	41 D3058	Universal replacement motor /bracket assy. (Includes motor, worm, bracket, bearing assy. and RPM sensor)
2	41A2827	Gear and sprocket assy. Complete with: Spring washer Thrust washer Retaining ring Bearing plate Roll pins (2) Drive gear Worm gear Helical gear w/retainer Grease	12	41A3666	Cover (Model 5000)
3	41A2817	Drive/worm gear kit w/grease Roll pins (2)		41A3666-1	Cover (Models 4000-2, 4000, 700WHC)
4	42B2991	Line cord		41A3666-2	Cover (Model 2000)
5	143D100	End panel (Models 2000 & 1000)		41A3666-3	Cover (Model 1000)
	143D123	End panel (All other models)	13	41A2818	Helical gear & retainer w/grease
6	175B88	Light socket	14	41D3452	Limit switch assembly
7	108D36	Lens (Model 2000)	15	41C3005	RPM sensor assembly
	108D34	Lens (Models 5000, 4000-2, 4000)	16	41C2726	Wire harness assy. w/plug
8	30B363	Capacitor- 1/2HP	17	41A2826	Shaft bearing kit
	30B387	Capacitor- 1/3HP	18	41A2822	Interrupter cup assy.
	30B366	Capacitor- 1/4HP	19	41A3626	Receiver logic board assy. (Model 5000)
9	12A373	Capacitor bracket		41A3627	Receiver logic board assy. (All other models)
10	41A3150	Terminal block w/screws	20	41A3673	End panel w/all labels (Model 5000)
				41A3712	End panel w/all labels (All other models)
					NOT SHOWN
				41A2825	Chassis assy. hdwe. kit (includes screws not designated by number in illustration)

CHAMBERLAIN SERVICE IS ON CALL

OUR LARGE SERVICE ORGANIZATION
SPANS AMERICA

INSTALLATION AND SERVICE INFORMATION IS AS
NEAR AS YOUR TELEPHONE SIX DAYS A WEEK. SIMPLY
DIAL OUR TOLL FREE NUMBER:

1-800-528-9131

HOURS: 7:00 a.m. TO 3:30 p.m.
(Mountain Std. Time)
MONDAY through SATURDAY

For professional installation, parts and service, contact
your local CHAMBERLAIN dealer. Look for him in the Yellow
Pages, or call our Service number for a list of dealers in your
area

HOW TO ORDER REPAIR PARTS

Selling prices will be furnished on request or parts will be
shipped at prevailing prices and you will be billed accordingly.

WHEN ORDERING REPAIR PARTS, ALWAYS GIVE THE
FOLLOWING INFORMATION:

- PART NUMBER
- PART NAME
- MODEL NUMBER

ADDRESS ORDERS TO:
THE CHAMBERLAIN GROUP, INC.
Electronic Parts and Service Department
2106 N. Forbes Boulevard
Tucson, Arizona 85745

SERVICE INFORMATION

TOLL FREE NUMBER:

1-800-528-9131

CHAMBERLAIN GARAGE DOOR OPENER ONE-YEAR Limited WARRANTY

The Chamberlain Group warrants to the first retail purchaser of this product that it will be free from any defect in materials and/or workmanship for a period of twelve full months from the date of purchase. The product must be used in complete accordance with Chamberlain's instructions for installation, operation and care.

I LIMITED WARRANTY ON MOTOR

Model Series 5000: The motor is warranted to be free from any defect in materials and/or workmanship for a period of 60 full months (5 years) from date of purchase.

Model Series 2000: The motor is warranted to be free from any defect in materials and/or workmanship for a period of 24 full months (2 years) from the date of purchase.

This warranty does not cover non-defect damage, damage caused by unreasonable use (including abuse, failure to provide reasonable and necessary maintenance, or any alterations to the product), labor charges for dismantling or re-installing of a repaired or replaced unit or replacement batteries.

If, during the warranty period, the product appears as though it may be defective, CALL OUR TOLL FREE SERVICE NUMBER BEFORE DISMANTLING IT (1-800-528-9131). If the product is then alleged to be defective, please send it pre-paid and insured to our Service Center to obtain warranty repair. You will be advised of shipping instructions when you call the number listed above.

Please be sure to include a brief description of the problem and a dated proof-of-purchase receipt with any product that is returned for warranty repair.

Product under warranty, which upon receipt by Chamberlain is determined to be defective in materials and/or workmanship, will be repaired or replaced (Chamberlain's option) at no cost to you and returned pre-paid. Defective parts will be repaired or replaced with new or factory rebuilt parts at Chamberlain's option.

THE DURATION OF IMPLIED WARRANTIES OF MERCHANTABILITY AND FITNESS FOR A PARTICULAR PURPOSE IS LIMITED TO THE DURATION OF THIS WRITTEN WARRANTY. SOME STATES MAY NOT ALLOW LIMITATIONS ON HOW LONG AN IMPLIED WARRANTY LASTS, SO THE ABOVE LIMITATION MAY NOT APPLY TO YOU.

All claims for consequential or incidental damages for breach of this warranty are excluded and in no event shall manufacturer's liability for breach of warranty, negligence, strict liability or breach of contract exceed the cost of the product covered herein, but the purchaser is entitled to the remedies expressly provided in this policy. Some states do not allow the exclusion or limitation incidental or consequential damages, so the above limitation or exclusion may not apply to you.

No representative or person is authorized to assume for us any other liability in connection with the sale of this product. This warranty gives you specific Legal rights, and you may also have other rights which may vary from state to state.

Free Manuals Download Website

<http://myh66.com>

<http://usermanuals.us>

<http://www.somanuals.com>

<http://www.4manuals.cc>

<http://www.manual-lib.com>

<http://www.404manual.com>

<http://www.luxmanual.com>

<http://aubethermostatmanual.com>

Golf course search by state

<http://golfingnear.com>

Email search by domain

<http://emailbydomain.com>

Auto manuals search

<http://auto.somanuals.com>

TV manuals search

<http://tv.somanuals.com>