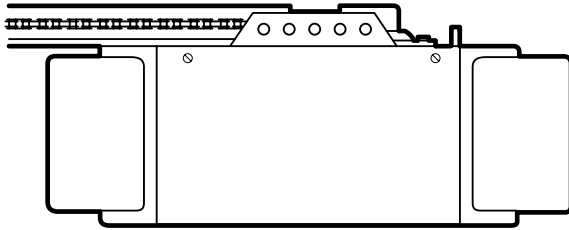
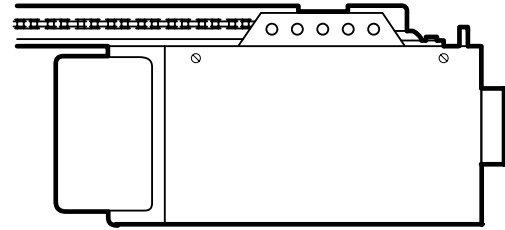


Garage Door Opener Owner's Manual

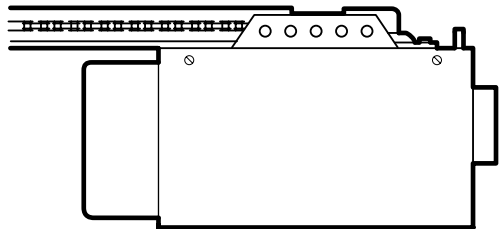
FOR RESIDENTIAL USE ONLY



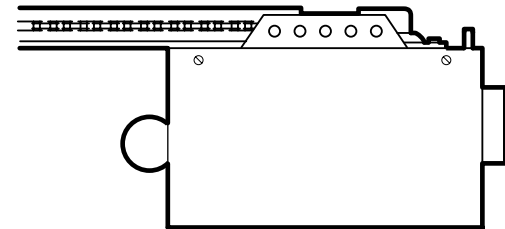
Model Series 5000E - 1/2 HP



Model Series 4000E - 1/2 HP



Model Series 2000E - 1/3 HP



Model Series 1000E - 1/4 HP

CAUTION! PLEASE READ THIS MANUAL CAREFULLY!

The MODEL NUMBER label is located on the front panel of your opener.

CONTENTS	PAGE	CONTENTS	PAGE
Safety Rules	2	Force Adjustments	21
Features of Your Opener.....	3	Safety Reverse Test.....	22
Specifications	3	The Protector System™	22
You'll Need Tools	3	Code Programming Instructions.....	23
Completed Installation Illustration	4	Having a Problem?	24, 25
Operation of Your Opener	5	Carton Contents & Hardware Illustrated.....	26
Accessories	5	Repair Parts, Rail Assembly.....	26
Care & Maintenance of Your Opener	6	Repair Parts, Installation	26
Assembly Instructions	7	Repair Parts, Opener Assembly	27
Installation Instructions.....	10	How To Order Repair Parts.....	28
Travel Limit Adjustments	20	Warranty	28

**FASTEN THIS MANUAL NEAR THE GARAGE DOOR AFTER INSTALLATION.
 PERIODIC CHECKS OF THE OPENER ARE REQUIRED TO INSURE SATISFACTORY OPERATION.**

Start By Reading These Important Safety Rules



THESE SAFETY ALERT SYMBOLS MEAN **CAUTION** - PERSONAL SAFETY, PROPERTY DAMAGE OR DANGER FROM ELECTRIC SHOCK. READ THESE INSTRUCTIONS CAREFULLY.



THIS GARAGE DOOR OPENER IS DESIGNED AND TESTED TO OFFER REASONABLY SAFE SERVICE PROVIDED IT IS INSTALLED AND OPERATED IN STRICT ACCORDANCE WITH THE FOLLOWING SAFETY INSTRUCTIONS.

FAILURE TO COMPLY WITH THE FOLLOWING INSTRUCTIONS MAY RESULT IN SERIOUS PERSONAL INJURY OR PROPERTY DAMAGE.

CAUTION: IF YOUR GARAGE HAS NO SERVICE ENTRANCE DOOR, INSTALL MODEL 1702E EMERGENCY RELEASE KEYLOCK. THIS ACCESSORY ALLOWS MANUAL OPERATION OF GARAGE DOOR FROM OUTSIDE IN CASE OF POWER FAILURE.



KEEP GARAGE DOOR BALANCED. Sticking or binding doors must be repaired. Garage doors, door springs, cables, pulleys, brackets and their hardware are under extreme tension and can cause serious personal injury. **DO NOT ATTEMPT TO LOOSEN, MOVE OR ADJUST THEM.** Call for garage door service.

DO NOT USE THE FORCE ADJUSTMENTS TO COMPENSATE FOR A BINDING OR STICKING GARAGE DOOR. Excessive force will interfere with the proper operation of the safety reverse system or damage the garage door (page 21).



DO NOT WEAR RINGS, WATCHES OR LOOSE CLOTHING while installing or servicing a garage door opener.



Fasten the **CAUTION LABEL** adjacent to the lighted door control as a reminder of safe operating procedures.



To avoid serious personal injury from entanglement, **REMOVE ALL THE ROPES CONNECTED TO GARAGE DOOR** before installing the garage door opener.



DISENGAGE ALL EXISTING GARAGE DOOR LOCKS to avoid damage to garage door.



Installation and wiring must be in compliance with your local building and electrical codes. **CONNECT THE POWER CORD ONLY TO A PROPERLY GROUNDED OUTLET.**



Install lighted door control (or any additional push buttons) **IN A LOCATION WHERE GARAGE DOOR IS VISIBLE, BUT OUT OF THE REACH OF CHILDREN. DO NOT ALLOW CHILDREN TO OPERATE PUSH BUTTON(S) OR REMOTE CONTROL TRANSMITTER.** Serious personal injury from a closing garage door may result from misuse of the opener.



Installation and wiring must be in compliance with your local building and electrical codes. **CONNECT THE POWER CORD ONLY TO A PROPERLY GROUNDED OUTLET.**



CAUTION: Activate opener only when the door is in full view, free of obstructions and opener is properly adjusted. NO ONE SHOULD ENTER OR LEAVE THE GARAGE WHILE DOOR IS IN MOTION. DO NOT ALLOW CHILDREN TO PLAY NEAR THE DOOR.



LIGHTWEIGHT DOORS OF FIBERGLASS, ALUMINUM OR STEEL MUST BE SUBSTANTIALLY REINFORCED TO AVOID DOOR DAMAGE. (See page 17.) The best solution is to check with your garage door manufacturer for an opener installation reinforcement kit.



Use the manual release **ONLY** to disengage the trolley and, if possible, **ONLY** when the door is closed. **DO NOT USE THE RED HANDLE TO PULL DOOR OPEN OR CLOSED.**



THE SAFETY REVERSE SYSTEM TEST IS VERY IMPORTANT (page 22). Your garage door **MUST** reverse on contact with a 25mm obstacle placed on the floor. Failure to properly adjust the opener may result in serious personal injury from a closing garage door. **REPEAT THE TEST ONCE A MONTH AND MAKE ANY NEEDED ADJUSTMENTS.**



DISCONNECT ELECTRIC POWER TO GARAGE DOOR OPENER BEFORE MAKING REPAIRS OR REMOVING COVERS.



Before you begin, please check the contents of the cartons. Illustrations of parts and hardware are shown on pages 26 and 27. Separate the hardware for assembly and installation as shown.

FEATURES OF YOUR OPENER

- Opener Light(s):** Turns on and off automatically with 4-1/2 minute illumination for your safety and convenience. **Model 5000E:** The Light Feature on the Multi-Function Door Control Panel can be activated for constant light. (Optional accessory available for other models.)
- Lock Feature (Standard on Model 5000E. Optional for Other Models):** When the Lock Feature is activated on the Multi-Function Door Control Panel, the opener will not operate from portable remote control transmitters. The door will OPEN from the Door Control Button, Key Switch and Keyless Entry System accessories.
- Manual Disconnect:** Pull cord disconnect permits manual door operation in case of an emergency or power failure.
- Motor:** Permanently lubricated with automatic reset.
- Safety System:** Independent up and down force adjustment. The door **REVERSES** automatically when obstructed in **DOWN** direction. The door **STOPS** when obstructed in **UP** direction.
- Automatic Reconnect:** Trolley halves reconnect for automatic operation when opener is activated after a manual disconnect.
- Easy Limit Adjustment:** Limits of door opening and closing adjusted by turning screws without removing opener cover.

SPECIFICATIONS

MOTOR

Type	Permanent split capacitor
Speed	1500 rpm
Volts	120 Volts AC - 60 Hz. Only
Current	4.5 amperes

DRIVE MECHANISM

Gears.....	16:1 worm gear reduction
Drive	Chain & cable with one-piece trolley on steel T-rail
Length of travel.....	Adjustable to 2.29m
Travel rate	15-20cm per second
Lamp	On when door starts to travel, off 4-1/2 minutes after stop. Model 5000E: Has separate Light Feature.
Door linkage	Adjustable door arm. Pull cord trolley release.

SAFETY

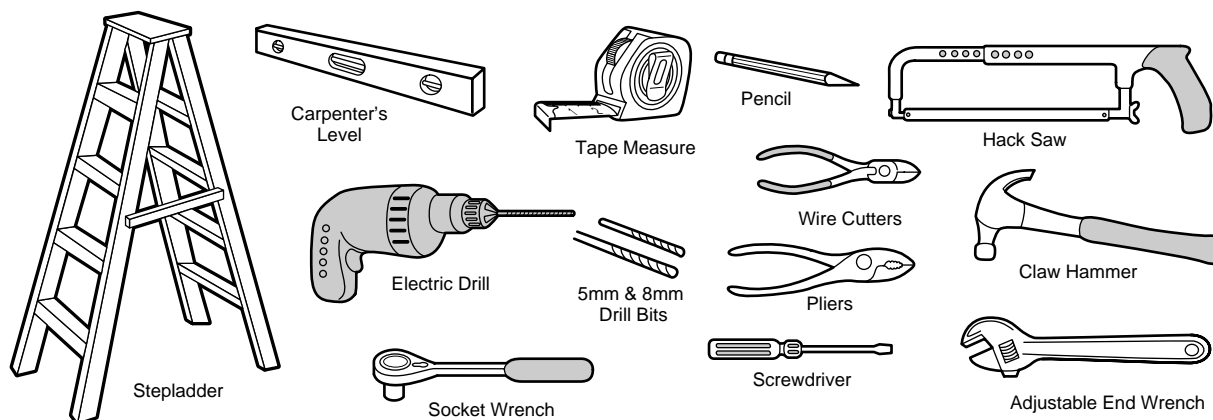
Personal	Push button and automatic reversal in down direction. Push button and automatic stop in UP direction.
Electronic.....	Independent UP and DOWN force adjustment screws.
Electrical	Motor overload protector & low voltage push button wiring.
Limit device	Circuit actuated by limit nut.
Limit adjustment	Screwdriver adjustment on side panel.
Start circuit	Low voltage push button or radio control.

DIMENSIONS

Length (overall)	3.15m 3.25m (Model 5000E)
Headroom required	5cm
Hanging weight	14.5kg

YOU'LL NEED TOOLS

During assembly and installation of your opener, the instructions will call for the use of various hand tools shown below.



BEFORE YOU BEGIN, PLEASE TAKE SOME TIME TO CAREFULLY EXAMINE THE ILLUSTRATIONS OF A TYPICAL GARAGE DOOR OPENER INSTALLATION ON BOTH A SECTIONAL AND A ONE-PIECE DOOR.

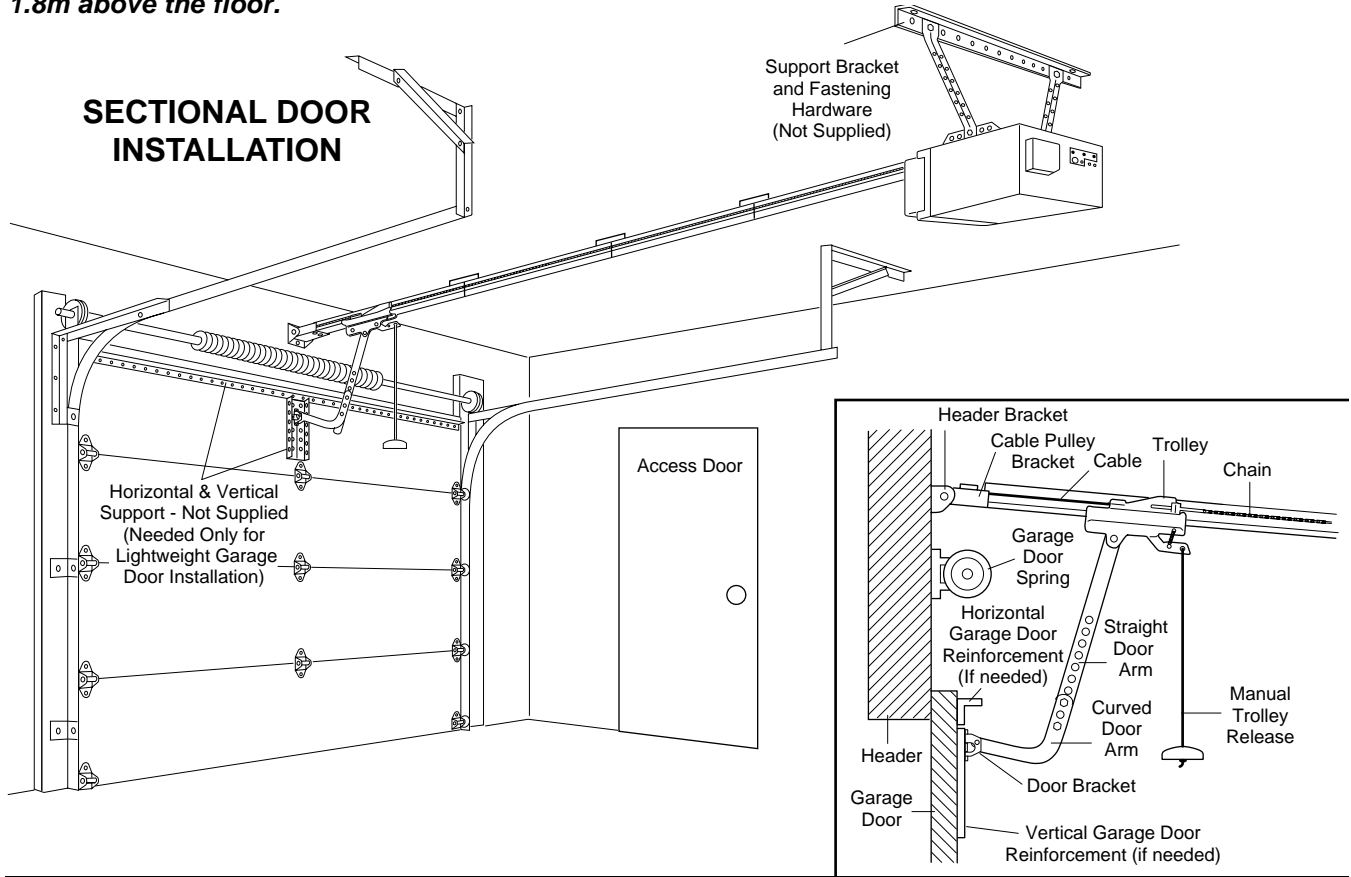
Some installation instructions vary for sectional and one-piece doors. Follow only those instructions which apply to your door type.

Do you have a finished ceiling in your garage? If so, you will need a support bracket and additional fastening hardware. Refer to Step 4, Page 13 for specific requirements.

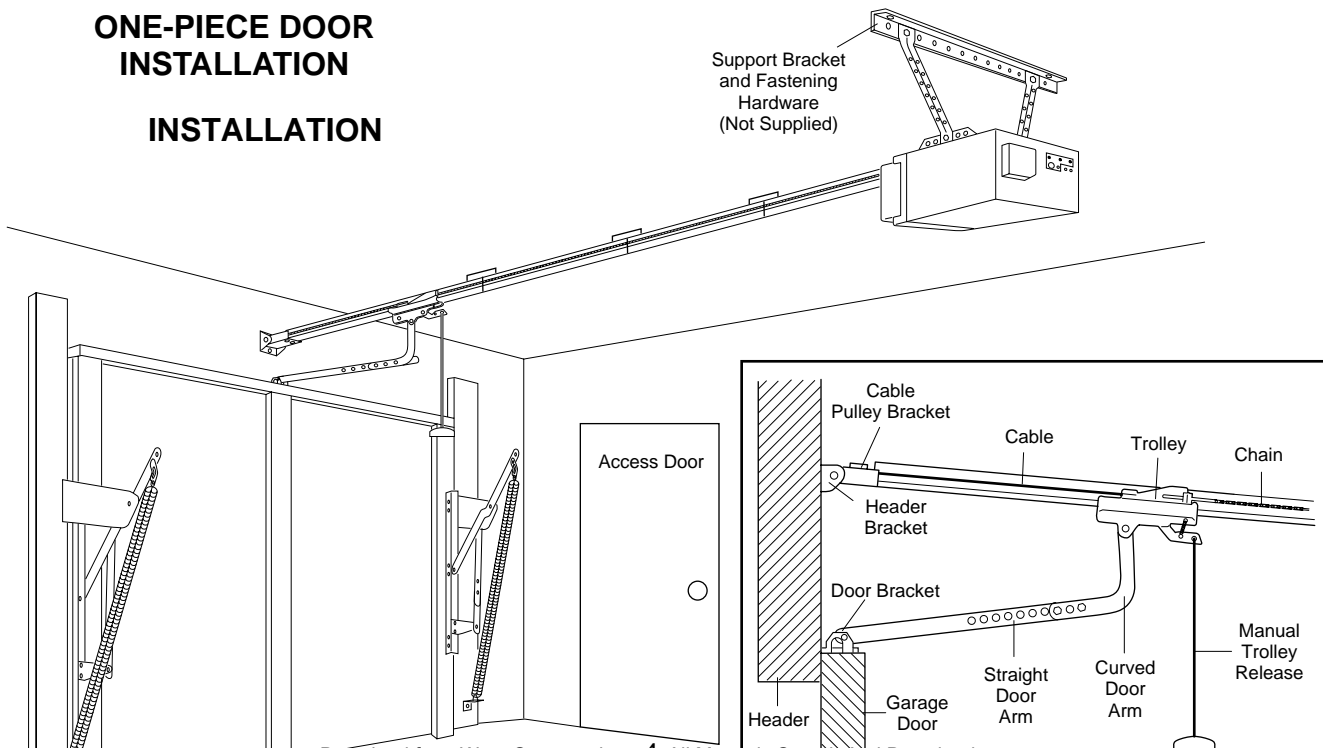
Do you have a lightweight or metal door (or does it have glass panels)? If so, horizontal and vertical reinforcement is required. Refer to Step 8, Page 17.

If possible, install the door opener 2.1m or more above floor with the manual release handle mounted 1.8m above the floor.

**SECTIONAL DOOR
INSTALLATION**



**ONE-PIECE DOOR
INSTALLATION**



Operation of Your Opener

CAUTION

- **BEFORE YOU PROCEED, PLEASE READ SAFETY RULES ON PAGE 2 AND THE OPERATING INSTRUCTIONS ON THIS PAGE CAREFULLY.**
- **DO NOT PERMIT CHILDREN TO PLAY IN THE AREA OF THE DOOR.**

- **TO AVOID DIFFICULTY DURING INSTALLATION, DO NOT RUN OPENER UNTIL INSTRUCTED TO DO SO.**
- **OPERATE ONLY WHEN OPENER IS PROPERLY ADJUSTED AND THE DOOR IS VISIBLE AND UNOBSTRUCTED.**

TO ACTIVATE THE OPENER

Use any of the following devices:

1. **The Remote Control Transmitter.** Hold the push button down until the door starts to move.
2. **The Door Control.** Hold push button down until the door starts to move.
3. **Key Switch or Keyless Entry System** (if you have installed either of these accessories).

HOW TO OPERATE THE DOOR MANUALLY:

DOOR SHOULD BE FULLY CLOSED IF POSSIBLE. WEAK OR BROKEN SPRINGS COULD ALLOW AN OPEN DOOR TO FALL RAPIDLY. PROPERTY DAMAGE OR SERIOUS PERSONAL INJURY COULD RESULT. DO NOT USE MANUAL RELEASE HANDLE TO PULL DOOR OPEN OR CLOSED.

Disconnect door from opener by pulling down sharply on red handle. Lift door manually. To automatically reconnect door to opener, press Door Control button.

OPENER LIGHT will turn on under the following conditions: When the opener is initially plugged in; when the power is interrupted; when the opener is activated. Light turns off automatically after 4-1/2 minutes. Bulb size is 75 watts maximum.

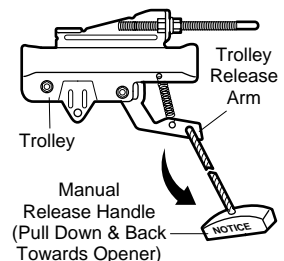
If the Multi-Function Door Control Panel (with the Light Feature) is installed, the light can remain ON or turn OFF before the automatic cycle is completed, if desired.

HOW DOOR MOVES WHEN OPENER ACTIVATES:

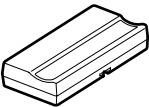
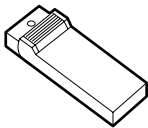

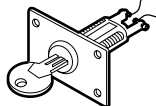
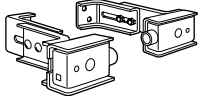
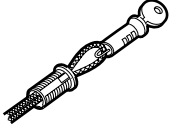
1. If open, door will close. If closed, the door will open.
2. If closing, the door will reverse.
3. If opening, the door will stop (allowing space for entry and exit of pets and for fresh air).
4. If the door has been stopped in a partially open position, it will close.
5. If obstructed while closing, the door will reverse.
6. If obstructed while opening, the door will stop.
7. The optional Protector System™ uses an invisible beam which, when broken by an obstruction, causes a closing door to open and prevents an open door from closing. It is **STRONGLY RECOMMENDED** for homeowners with young children.

LOCKOUT FEATURE:

Prevents trolley from reconnecting automatically. If you need to use this feature, pull manual release handle down and back (toward opener). Trolley will remain "Locked-Out" and door can be raised and lowered manually. To reconnect trolley, pull manual release handle straight down.



ACCESSORIES AVAILABLE FOR YOUR OPENER

<p>Model 850CB</p> 	<p>Single-Function Remote Control Transmitter: with visor clip.</p>	<p>Model 740CB</p> 	<p>Keyless Entry System: Enables the homeowner to operate garage door opener from outside by entering code on specially designed keypad.</p>
<p>Model 845CB</p> 	<p>Multi-Function Door Control Panel: Provides a Lock Feature which prevents operation of garage door opener from remotes, and a Light Switch for constant light.</p>	<p>Model 760E</p> 	<p>Outside Keylock: Opens the garage door automatically from outside with the turn of a key when remote control transmitter is not handy.</p>
<p>Model 770E</p> 	<p>"The Protector System": Provides auxiliary support to the safety features built into your opener. The system's invisible beam, when broken by an obstruction, causes a closing door to open and prevents an open door from closing.</p>	<p>Model 1702E</p> 	<p>Emergency Release Keylock: REQUIRED for a garage with NO service door. Allows manual operation of garage door from outside in case of power failure.</p>

Care of the Opener

When properly installed on a door which is in balance and in good repair, opener will provide high performance with a minimum of maintenance. The opener does not require additional lubrication.

Most complaints of unsatisfactory opener operation can be traced to problems with the door itself. When operated manually, a properly balanced door will stay in any point of travel while being supported entirely by its springs.

THE OPENER IS NOT INTENDED TO CORRECT ANY PROBLEMS THAT ARE CAUSED BY AN UNBALANCED OR BINDING DOOR, BROKEN DOOR SPRINGS OR BY FAULTY DOOR HARDWARE.

LIMIT AND FORCE ADJUSTMENTS: These adjustments must be checked and properly set when opener is installed. Only a screwdriver is required. Pages 20 and 21 refer to the limit and force adjustments. Follow the instructions carefully.

REPEAT THE SAFETY REVERSE TEST AFTER ANY ADJUSTMENT. Weather conditions may cause some minor changes in the door operation, requiring some readjustments, particularly during the first year of operation.

THE SAFETY REVERSE SYSTEM IS IMPORTANT (see page 22). GARAGE DOOR *MUST* REVERSE ON CONTACT WITH A 25MM OBSTACLE PLACED ON THE FLOOR. FAILURE TO PROPERLY ADJUST OPENER MAY RESULT IN SERIOUS PERSONAL INJURY FROM A CLOSING GARAGE DOOR.

CHAIN TENSION ADJUSTMENT: After installation of the opener and adjustment of forces and limits, the chain may appear loose. This is normal.

TO CHECK THE CHAIN TENSION: Disconnect the trolley by pulling the red manual release handle. If the chain returns to the position described and illustrated in Step 4 page 9, **DO NOT** make **ANY** further adjustments.

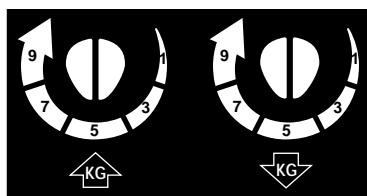
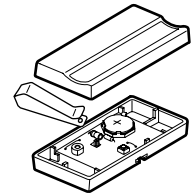
REMOTE CONTROL TRANSMITTER: The portable remote control may be secured to a car sun visor with the clip provided. Additional remote transmitters can be purchased at any time for use in all vehicles using the garage. Refer to Accessories on page 5.

The opener must learn the code of any new remote control. Page 23 explains how to program your garage door opener and how to erase all codes if required. Self service of your receiver and remote control is not recommended. If service is needed, call the toll-free number listed on the back page.

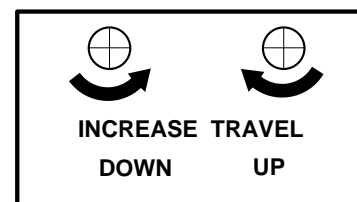
THE REMOTE CONTROL BATTERY

The lithium battery should produce power for up to 5 years. To replace battery, pry open case with visor clip or screwdriver, as shown. Insert battery *positive side up*.

Dispose of old battery properly.



Adjustment Label



Adjustment Label

MAINTENANCE OF YOUR OPENER

ONCE A MONTH

MANUALLY OPERATE DOOR. If it is unbalanced or binding, call professional garage door service.

CHECK TO BE SURE DOOR OPENS AND CLOSES FULLY. Adjusts Limits and/or Force if necessary.

REPEAT SAFETY REVERSE TEST. Make any necessary adjustments. (See page 22.)

TWICE A YEAR

CHECK CHAIN TENSION. Adjust if necessary.

ONCE A YEAR

OIL DOOR ROLLERS, BEARINGS AND HINGES.

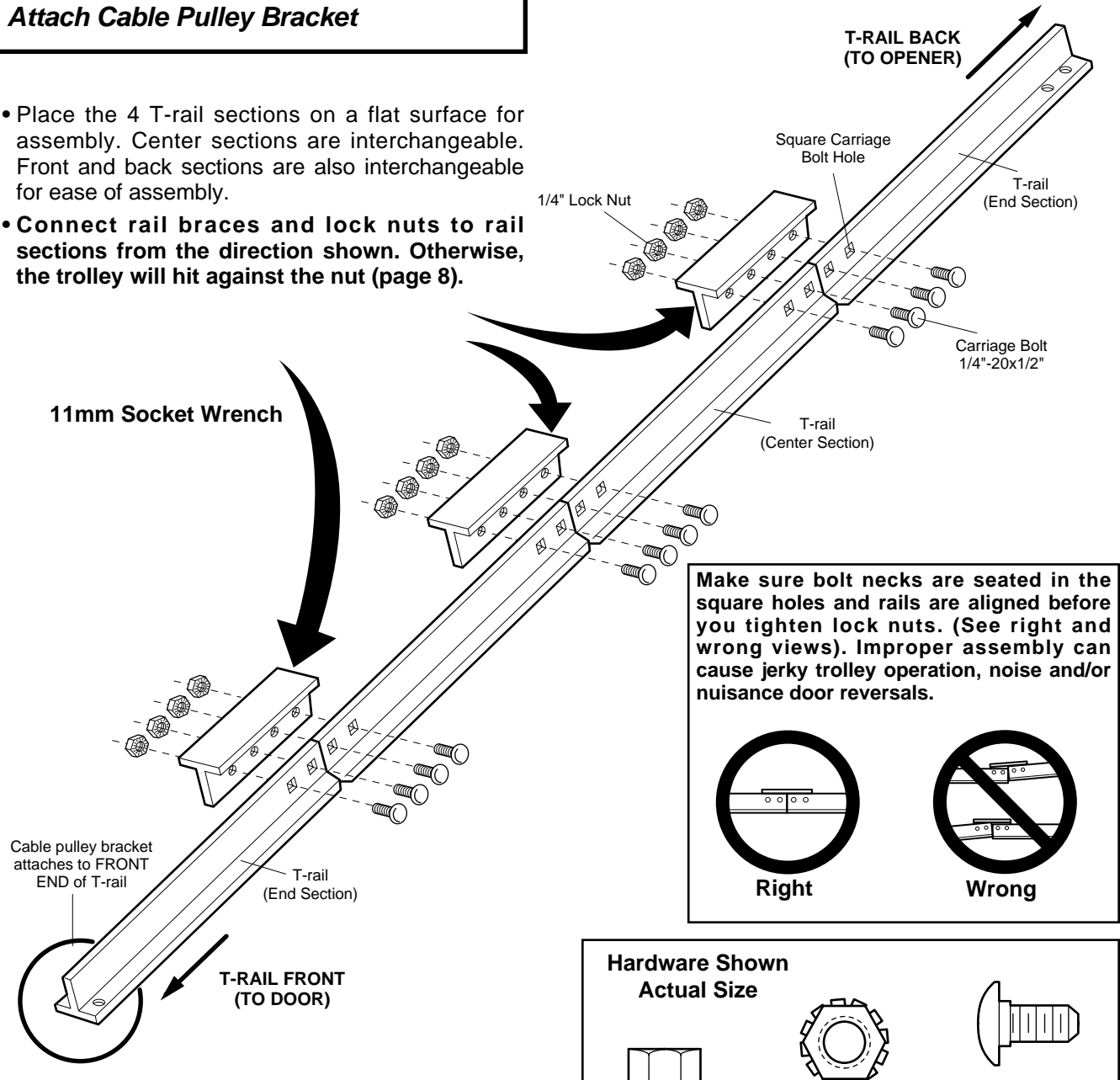
THE OPENER DOES NOT REQUIRE ANY ADDITIONAL LUBRICATION. DO NOT GREASE DOOR TRACKS.

Assembly Step 1

Assemble T-rail and Attach Cable Pulley Bracket

TO AVOID INSTALLATION DIFFICULTIES, DO NOT RUN THE GARAGE DOOR OPENER UNTIL INSTRUCTED TO DO SO.

- Place the 4 T-rail sections on a flat surface for assembly. Center sections are interchangeable. Front and back sections are also interchangeable for ease of assembly.
- Connect rail braces and lock nuts to rail sections from the direction shown. Otherwise, the trolley will hit against the nut (page 8).**



Make sure bolt necks are seated in the square holes and rails are aligned before you tighten lock nuts. (See right and wrong views). Improper assembly can cause jerky trolley operation, noise and/or nuisance door reversals.

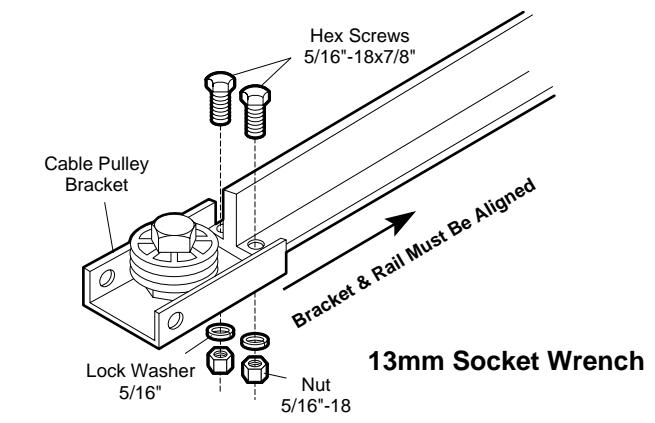
Right

Wrong

Hardware Shown Actual Size

Hex Screw 5/16"-18x7/8" (3)	Nut 5/16"-18 (5)	Lock Washer 5/16" (4)

- Position the cable pulley bracket on the front end of the T-rail as shown. Fasten securely with the hardware shown.



Right

Wrong

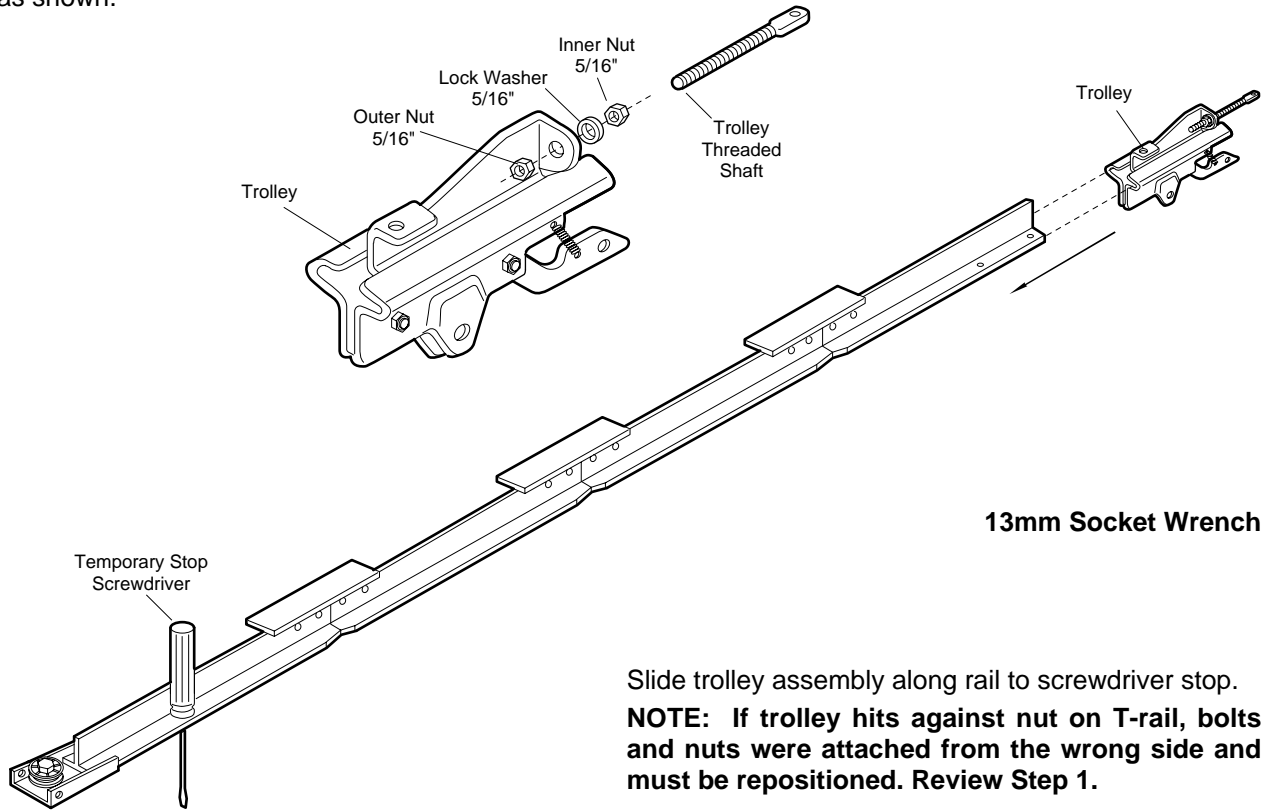
When tightening the screws, be sure to keep bracket parallel to the rail. Otherwise, the rail may bow when the opener is operated.

Assembly Step 2

Assemble and Install Trolley

AS A TEMPORARY STOP, INSERT A SCREWDRIVER INTO HOLE IN FRONT END OF T-RAIL.

Attach threaded shaft to trolley with lock washer and nuts as shown.



13mm Socket Wrench

Slide trolley assembly along rail to screwdriver stop.

NOTE: If trolley hits against nut on T-rail, bolts and nuts were attached from the wrong side and must be repositioned. Review Step 1.

Assembly Step 3

Fasten T-rail to Opener



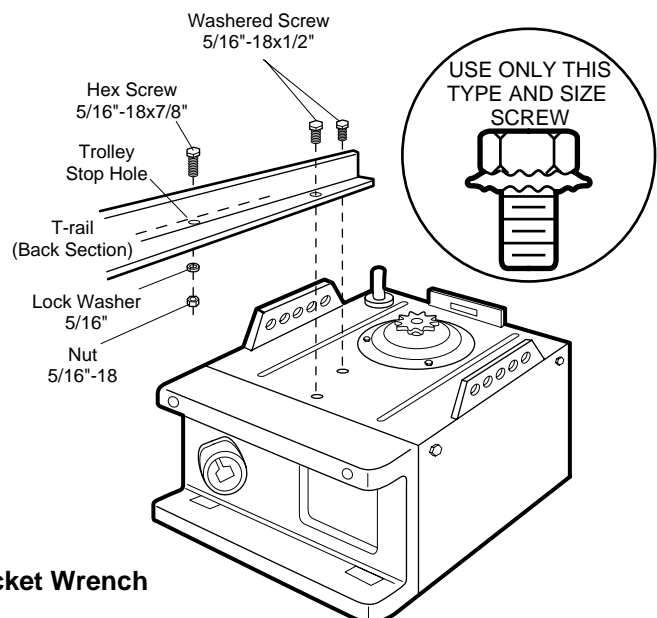
USE ONLY THOSE SCREWS MOUNTED IN TOP OF OPENER. FAILURE TO DO SO WILL CAUSE SERIOUS DAMAGE TO OPENER.

PROCEDURE: Place the opener on packing material to protect the cover. For convenience, place a support under the cable pulley bracket.

Remove the (2) 5/16"-18x1/2" washered screws mounted in the top of the opener. Align holes in back section of T-rail with holes in opener. Fasten the rail with the (2) washered screws previously removed and tighten securely.

CAUTION: USE ONLY THESE SCREWS! Use of any other screws will cause serious damage to door opener.

Insert a 5/16"-18x7/8" hex screw into trolley stop hole in T-rail as shown. Tighten securely with a 5/16" lock washer and nut.



13mm Socket Wrench

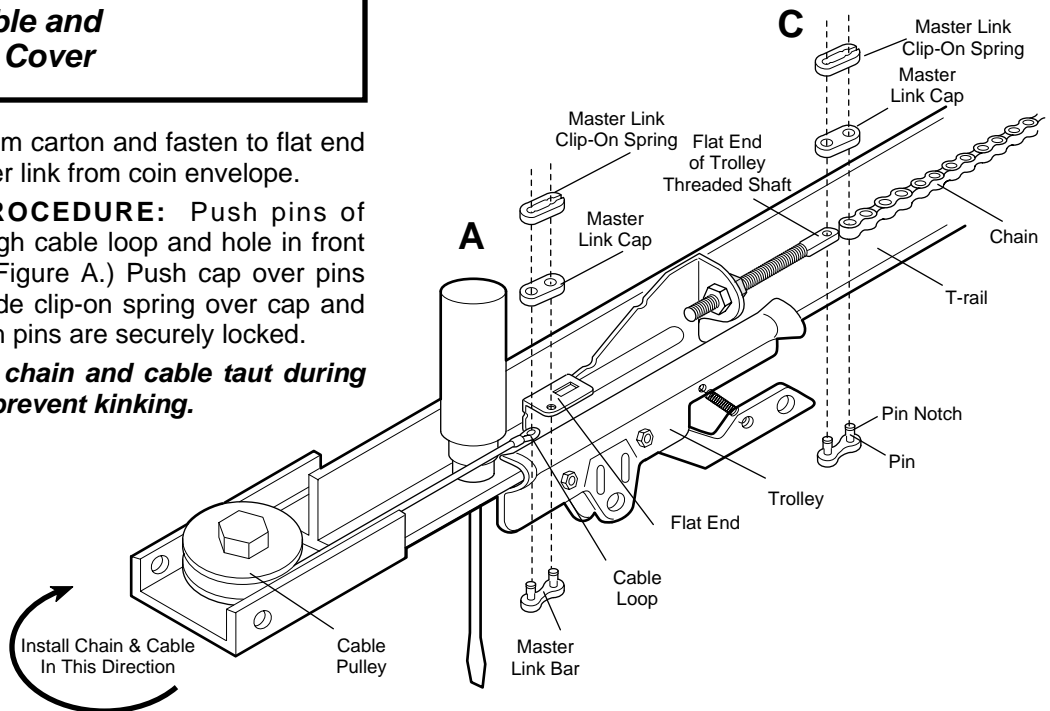
Assembly Step 4

Install Chain/Cable and Attach Sprocket Cover

Detach cable loop from carton and fasten to flat end of trolley with a master link from coin envelope.

MASTER LINK PROCEDURE: Push pins of master link bar through cable loop and hole in front end of trolley. (See Figure A.) Push cap over pins and into notches. Slide clip-on spring over cap and into notches until both pins are securely locked.

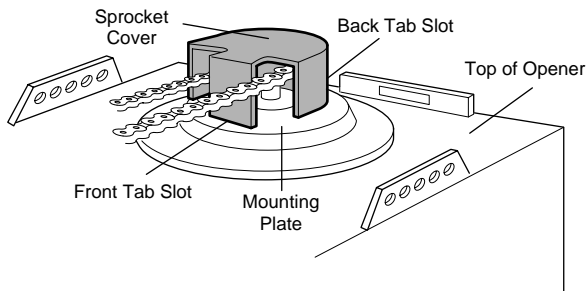
Caution: Keep the chain and cable taut during installation to help prevent kinking.



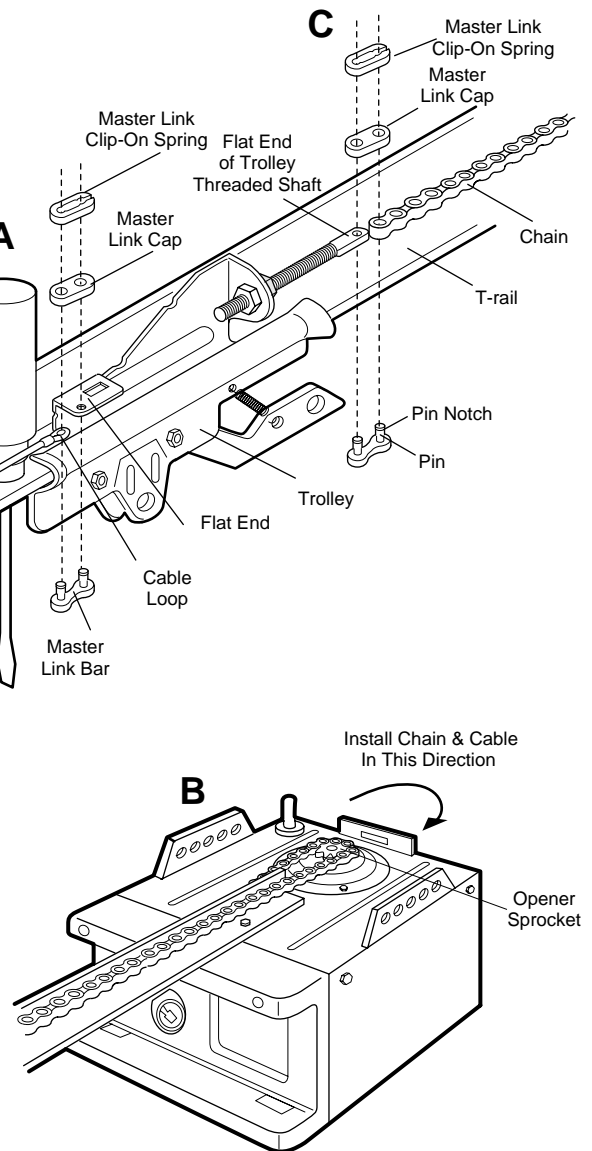
With trolley against screwdriver, dispense cable around pulley. Proceed back around opener sprocket as shown in Figure B (be sure sprocket teeth engage chain) and forward to trolley threaded shaft. (See Figure C.)

Use second master link to connect chain to flat end of shaft. **Check to make sure the chain is not twisted.**

REMOVE THE SCREWDRIVER.



CAUTION: DO NOT REMOVE THE CHAIN/CABLE FROM THE DISPENSER CARTON.



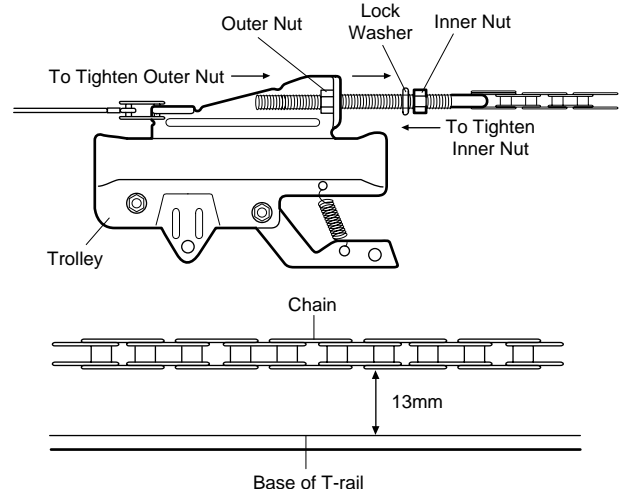
ATTACH SPROCKET COVER TO OPENER: Insert back tab in opener slot. Squeeze cover slightly and insert the front tab in the slot on mounting plate.

TIGHTEN CHAIN/CABLE

- Spin the inner nut and lock washer down the threaded shaft, away from the trolley.
- To tighten the chain, turn outer nut in the direction shown. As you turn the nut, keep the chain from twisting.
- When the chain is approximately 13mm above the base of the T-rail at its midpoint, re-tighten the inner nut to secure the adjustment.

Sprocket noise can result if chain is either too loose or too tight.

When installation is complete, you may notice some chain droop with the door closed. This is normal. If the chain returns to the position shown when the door is open, do not re-adjust the chain.



ASSEMBLY OF YOUR GARAGE DOOR OPENER IS NOW COMPLETE.

Installation Step 1

Determine Header Bracket Location

Installation procedures vary according to garage door types. Follow the instructions which apply to your door.

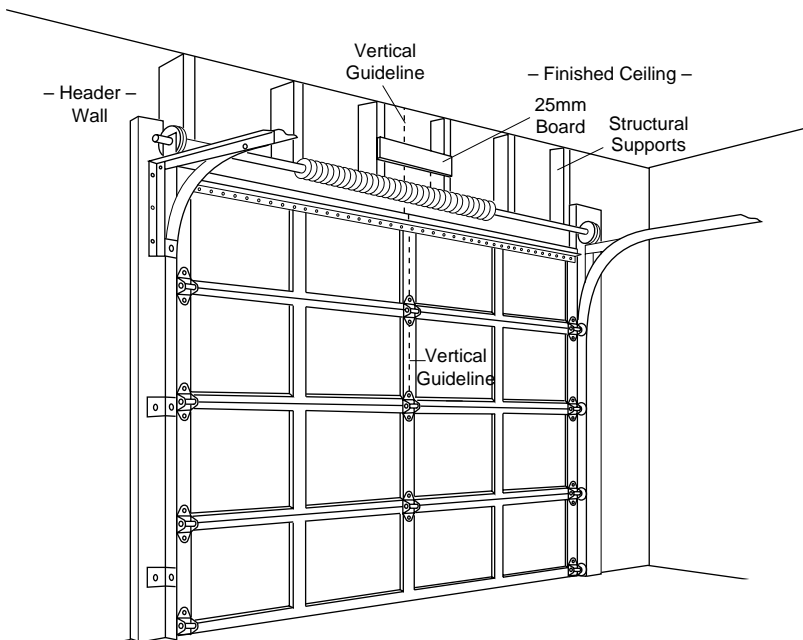
IF YOURS IS A CANOPY OR DUAL-TRACK STYLE GARAGE DOOR, A DOOR ARM CONVERSION KIT IS REQUIRED. FOLLOW THE INSTALLATION INSTRUCTIONS INCLUDED WITH THE REPLACEMENT DOOR ARM.



IF THE HEADER BRACKET IS NOT RIGIDLY FASTENED TO A STRUCTURAL SUPPORT ON THE HEADER WALL OR CEILING, THE SAFETY REVERSE SYSTEM MAY NOT WORK PROPERLY (SEE PAGE 22). THE DOOR MIGHT NOT REVERSE WHEN REQUIRED, AND COULD CAUSE SERIOUS INJURY OR DEATH.

THE GARAGE DOOR SPRINGS, CABLES, PULLEYS, BRACKETS AND THEIR HARDWARE ARE UNDER EXTREME TENSION. DO NOT ATTEMPT TO LOOSEN, MOVE OR ADJUST THEM YOURSELF. SERIOUS PERSONAL INJURY OR DEATH COULD RESULT. CALL FOR GARAGE DOOR SERVICE.

SECTIONAL DOOR AND ONE-PIECE DOOR WITH TRACK(S)

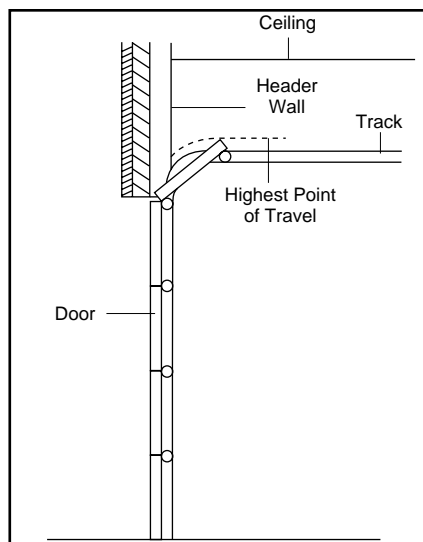


- Close the door and mark the inside vertical centerline of the garage door.
- Extend the line onto the header wall above the door.

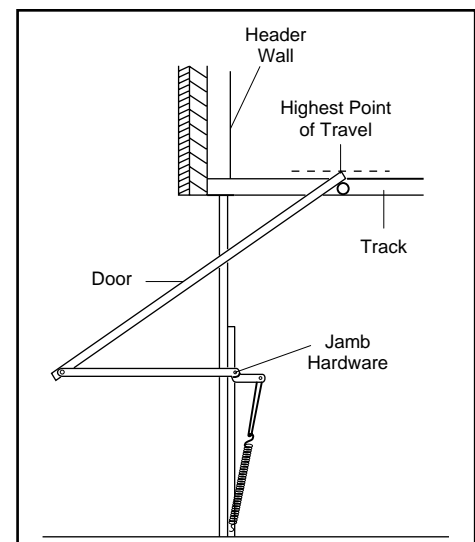
Remember, you can fasten the header bracket within 60cm of the left or right of the door center *only* if a torsion spring or center bearing plate is in the way; or you can attach it to the ceiling (refer to page 12) when clearance is minimal.

If you need to install the header bracket on a 25mm board (on wall or ceiling), use lag screws (not supplied) to securely fasten the 25mm board to structural supports.

- Open your door to the highest point of travel as shown. Draw an intersecting horizontal line on the header wall 5cm above the high point. This height will provide travel clearance for the top edge of the door.



SECTIONAL DOOR WITH CURVED TRACK



ONE-PIECE DOOR WITH HORIZONTAL TRACK & JAMB HARDWARE

Proceed to Step 2, page 12.

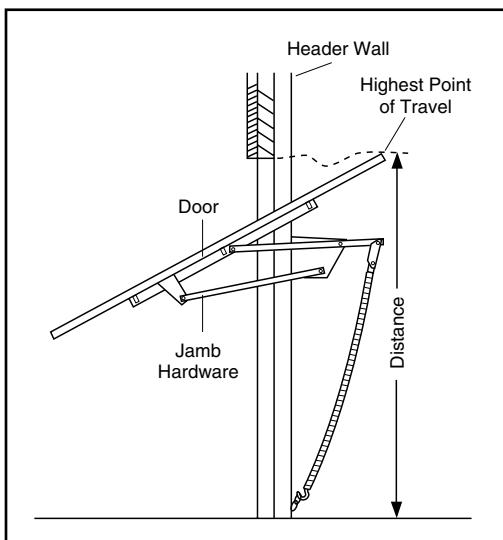
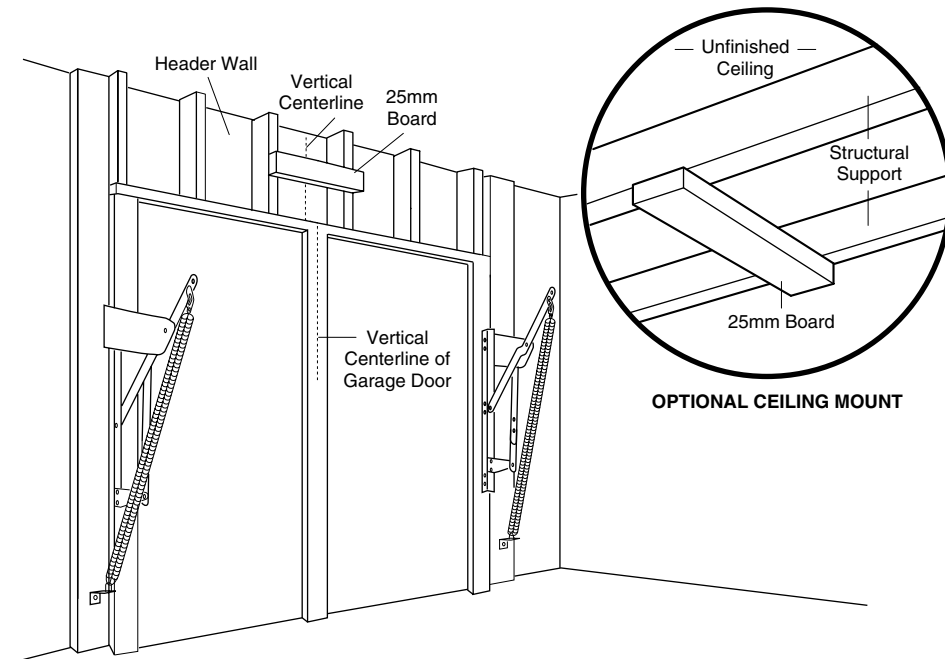
ONE-PIECE DOOR WITHOUT TRACK

Please read and comply with the warnings on page 10. They apply to the installation of the header bracket regardless of door type.

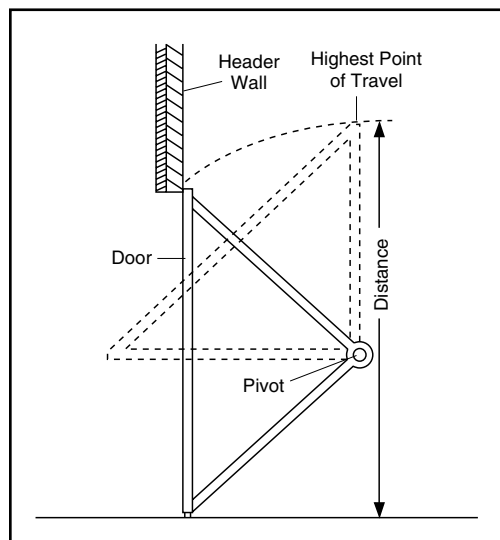
- Close the door and mark the inside vertical centerline of your garage door. Extend the line onto the header wall above door.

If headroom clearance is minimal, you can install the header bracket on the ceiling. See page 12.

- If you need to install the header bracket on a 25mm board (on wall or ceiling), use lag screws (not supplied) to securely fasten the 25mm board to structural supports as shown.



**One-piece door without track
jamb hardware**



**One-piece door without track
pivot hardware**

- Open your door to the highest point of travel as shown. Measure the distance from the top of the door to the floor. Subtract the actual height of the door. Add 20cm to the remainder. (See Example).
- Close the door and draw an intersecting horizontal line on the header wall at the determined height.

NOTE: If the total number of centimeters exceeds the height available in your garage, use the maximum height possible, or refer to page 12 for ceiling installation.

EXAMPLE

Distance from top of door (at highest point of travel) to floor	234cm
Actual height of door	- 224cm
Remainder	10cm
Add	+ 20cm
Bracket height on header wall	= 30cm

(Measure **UP** from top of **CLOSED** door.)

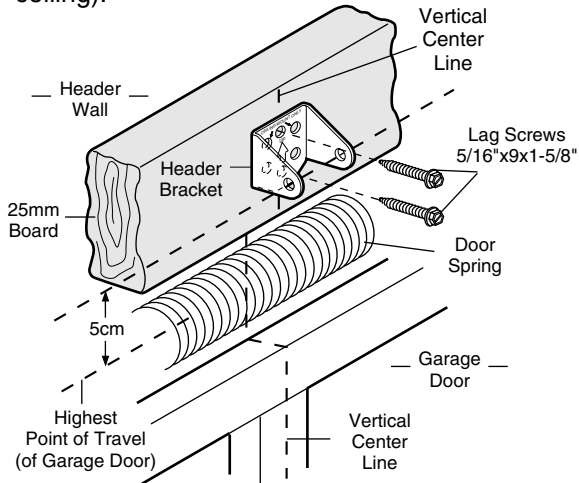
Proceed to Step 2, page 12.

Installation Step 2

Install the Header Bracket & Attach T-rail To Header Bracket (All Door Types)

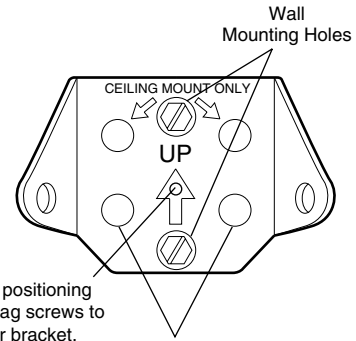
FASTEN THE HEADER BRACKET TO THE WALL

- Center the bracket on the vertical guideline with the bottom edge of the bracket on the horizontal line as shown (with the arrow pointing toward the ceiling).



You can attach the header bracket either to the wall above the garage door, or to the ceiling. Follow the instructions which will work best for your particular requirements.

- Mark either set of bracket holes (do not use the holes designated for ceiling mount). Drill 5mm pilot holes and fasten the bracket securely to a structural support with the hardware provided.

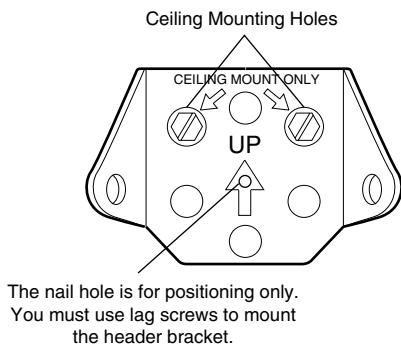


The nail hole is for positioning only. You must use lag screws to mount the header bracket.

13mm Socket Wrench

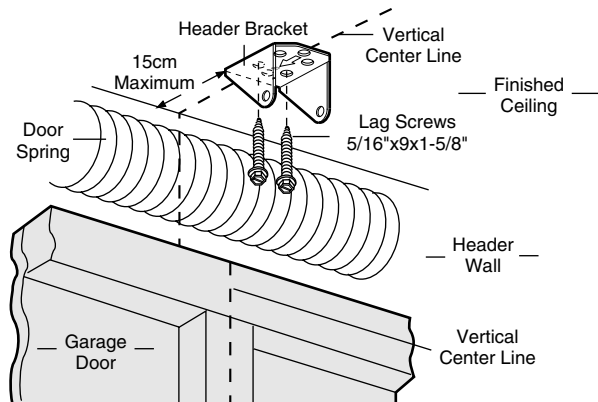
FASTEN THE HEADER BRACKET TO THE CEILING

- Extend the vertical guideline onto the ceiling as shown.
- Center the bracket on the vertical mark no more than 15cm from the wall. Make sure the arrow is pointing toward the wall. The bracket can be mounted flush against the ceiling when clearance is minimal.



The nail hole is for positioning only. You must use lag screws to mount the header bracket.

- Mark holes designated for ceiling mount only. Drill 5mm pilot holes and fasten bracket securely to a structural support with the hardware provided.



ATTACH T-RAIL TO HEADER BRACKET

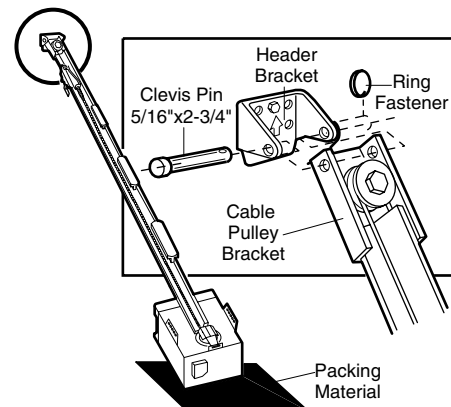
(All Door Types)

PROCEDURE: Position opener on garage floor below header bracket. Use packing material as a protective base.

NOTE: To enable T-rail to clear sectional door springs, it may be necessary to lift opener onto a temporary support.

CAUTION: The opener must either be secured to a support or held firmly in place by another person.

Raise T-rail until pulley and header brackets come together. Align bracket holes and join with clevis pin as shown. Insert ring fastener to secure.



Installation Step 3

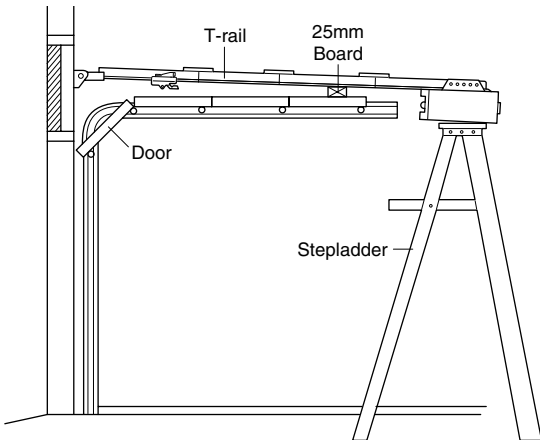
Position the Opener

Follow instructions which apply to your door type as illustrated.

SECTIONAL DOOR & 1-PIECE DOOR WITH TRACK

NOTE: A 25mm board is convenient for setting an ideal door-to-T-rail distance. It is not necessary when headroom is insufficient.

PROCEDURE: Raise the opener onto a stepladder. Open garage door. Place a 25mm board on the top section of door near centerline as shown. Rest T-rail on 25mm board as shown.



If the top panel hits the trolley when you raise the door, pull down the trolley release arm to disconnect the inner and outer sections. The trolley can remain disconnected until Step 9 is completed.

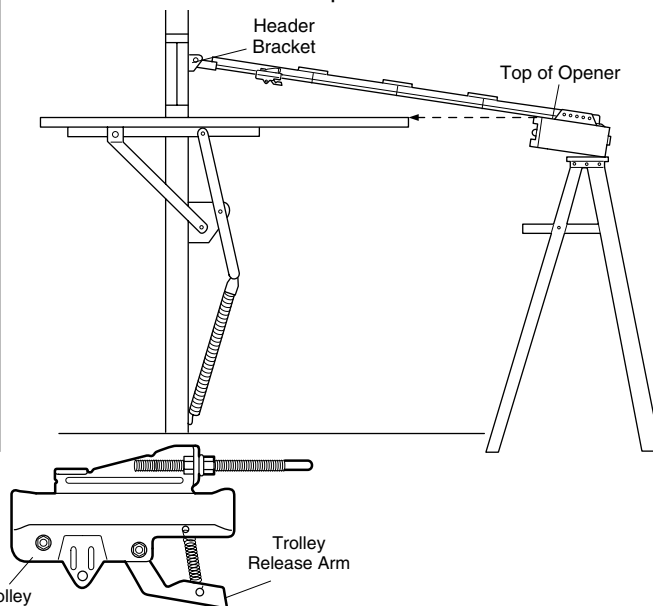


TO PREVENT DAMAGE TO ALL LIGHT-WEIGHT DOORS AND DOORS WITH WINDOWS, DO NOT REST THE OPENER ON THE DOOR.

1-PIECE DOOR WITHOUT TRACK

PROCEDURE: Measure the distance from floor to top of door (in fully open position and parallel to the floor). Using a stepladder as a support, raise opener to the same distance from the floor (it will have a slight angle as shown).

The top of the door should be level with the top of opener. For maximum efficiency, do not position opener more than 5cm above this point.



Installation Step 4

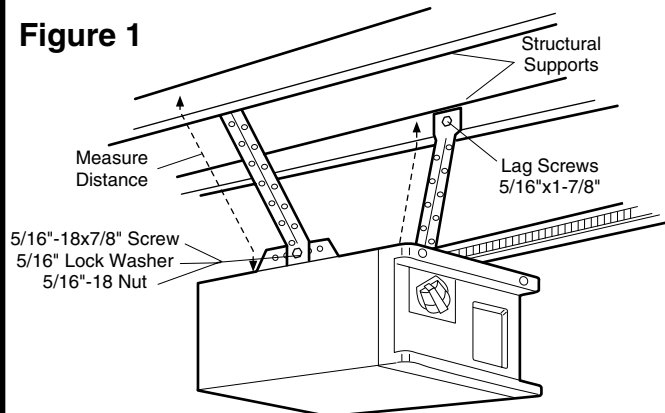
Hang the Opener

Two representative installations are shown. Yours may be different. Hanging brackets should be angled (Figure 1) to provide rigid support. On finished ceilings (Figure 2) attach a sturdy metal bracket (not supplied) to structural supports before installing opener.

PROCEDURE: Measure the distance from **EACH** side of the opener to structural support.

Cut both pieces of the hanging bracket to required lengths. Flatten one end of each bracket and bend or twist to fit the fastening angles. **Do not bend at the brackets holes.** Drill 5mm pilot holes in the structural supports. Attach flattened ends of brackets to supports with 5/16"x1-7/8" lag screws.

Figure 1



THE OPENER MUST BE SECURELY FASTENED TO A STRUCTURAL SUPPORT OF THE GARAGE.

Lift opener and fasten to hanging bracket as shown. **Check to make sure T-rail is centered over door. REMOVE 25MM BOARD.** Operate door manually. **If door hits the rail, raise header bracket.**

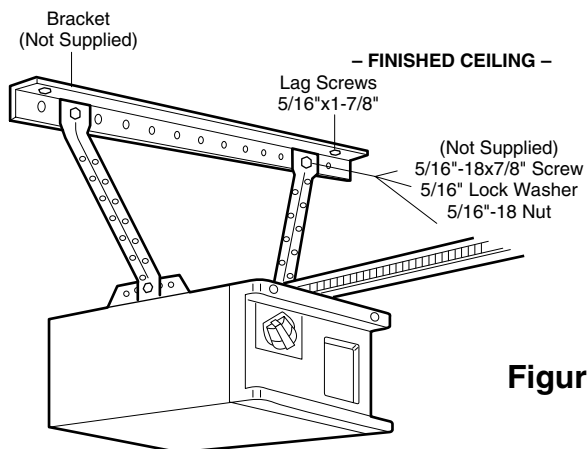


Figure 2

13mm Socket Wrench

LOCATE LIGHTED DOOR CONTROL BUTTON (OR ANY ADDITIONAL PUSH BUTTONS) WHERE THE GARAGE DOOR IS VISIBLE, AWAY FROM DOOR AND DOOR HARDWARE AND OUT OF THE REACH OF CHILDREN.

SERIOUS PERSONAL INJURY FROM A MOVING GARAGE DOOR MAY RESULT FROM MISUSE OF OPENER. DO NOT ALLOW CHILDREN TO OPERATE LIGHTED DOOR CONTROL BUTTON(S) OR REMOTE CONTROL TRANSMITTER.

FASTEN THE CAUTION LABEL ON THE WALL NEAR LIGHTED DOOR CONTROL BUTTON AS A REMINDER OF SAFE OPERATING PROCEDURES.

Installation Step 5

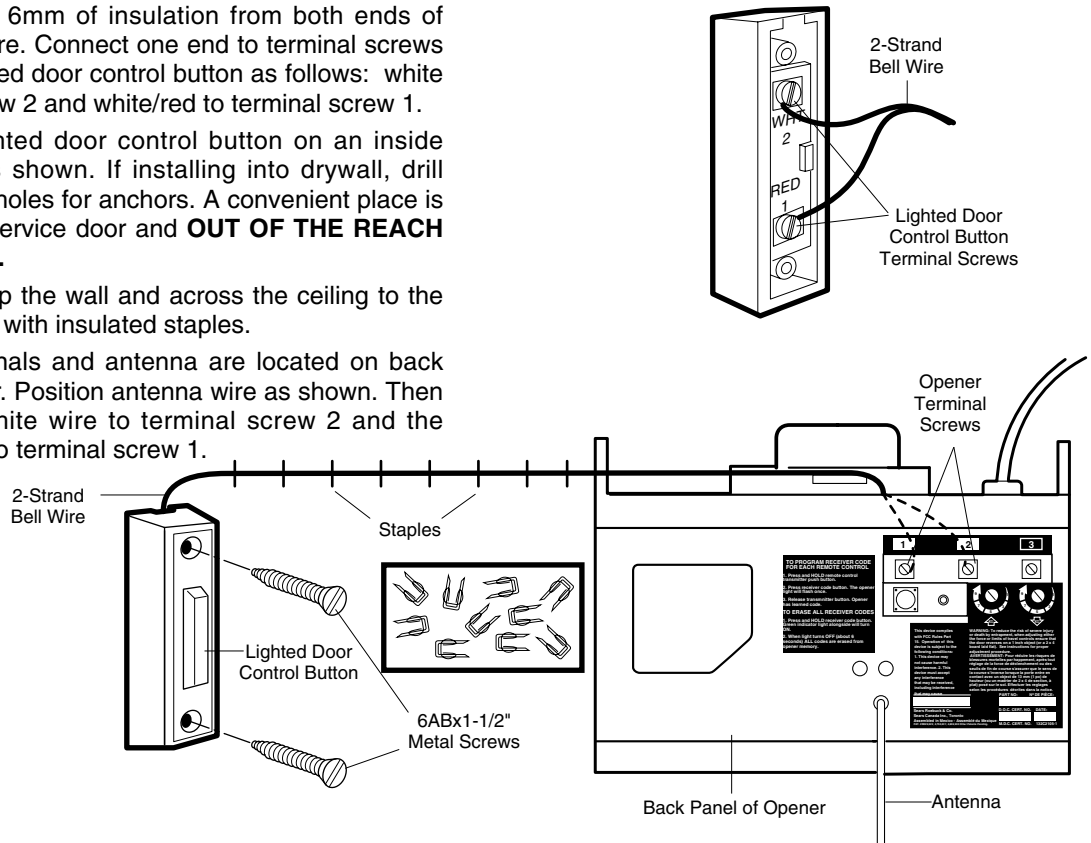
Install Lighted Door Control Button Models 4000E, 2000E & 1000E

Remove about 6mm of insulation from both ends of 2-strand bell wire. Connect one end to terminal screws on back of lighted door control button as follows: white to terminal screw 2 and white/red to terminal screw 1.

Fasten the lighted door control button on an inside garage wall as shown. If installing into drywall, drill 4mm diameter holes for anchors. A convenient place is alongside the service door and **OUT OF THE REACH OF CHILDREN**.

Run bell wire up the wall and across the ceiling to the opener. Secure with insulated staples.

Receiver terminals and antenna are located on back panel of opener. Position antenna wire as shown. Then connect the white wire to terminal screw 2 and the white/red wire to terminal screw 1.



OPERATION OF LIGHTED DOOR CONTROL BUTTON

Press to open or close door.

Press again to **REVERSE** door during the **CLOSING** cycle or to **STOP** door during **OPENING** cycle.

WIRING INSTRUCTIONS FOR ACCESSORIES

The Protector System™

To opener terminal screws:
White to 2 and White/Black to 3

Outside Keylock:

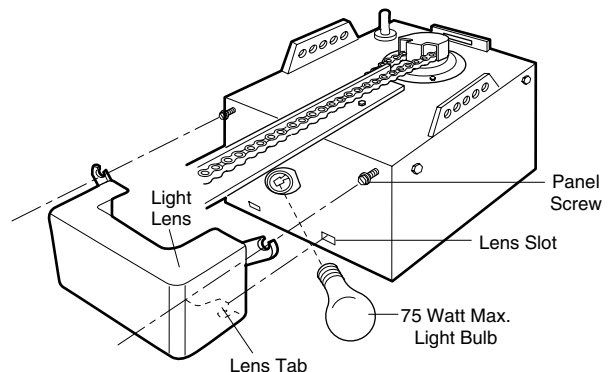
To opener terminal screws:
White/Red to 1 and White to 2

INSTALL LIGHT (Models 4000E, 2000E & 1000E):

Install a 75 watt maximum light bulb in socket as shown. Light will turn on and remain lit for 4-1/2 minutes when power is connected. After 4-1/2 minutes it will turn off.

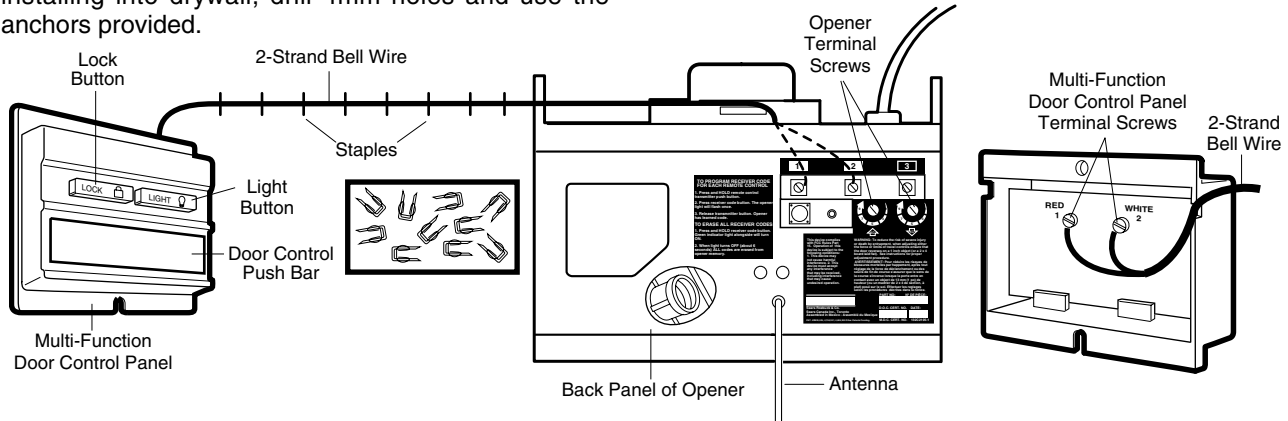
If light bulb burns out prematurely due to vibrations, replace with bulb specifically packaged for "Garage Door Openers".

INSTALL LENS (Model 2000E only): Locate (and loosen approximately 3mm) the two screws near top of opener front panel. Position lens against panel with slotted tabs directly below screws. Slide lens up to seat tabs behind screws. Snap bottom tabs of lens into panel slots. Retighten top panel screws to secure lens.



Install Multi-Function Door Control Panel (Model 5000E Only)

- Remove about 6mm of insulation from both ends of 2-strand bell wire. Connect one end to terminal screws on back of multi-function door control panel as follows: white/red to terminal screw 1 and white to terminal screw 2.
- Locate the Door Control within sight of the door at a minimum height of 3.5m where small children cannot reach, and away from all moving parts of the door and door hardware. Fasten the Multi-Function Door Control Panel securely with 6ABx1" screws. If installing into drywall, drill 4mm holes and use the anchors provided.



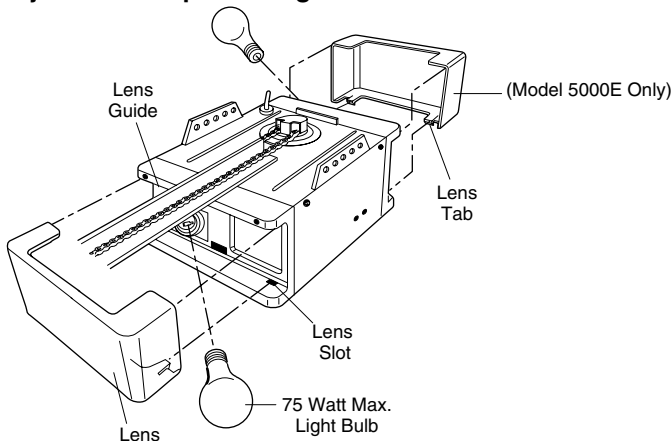
- Run the bell wire up the wall and across the ceiling to the opener. Use insulated staples to secure the wire in several places. Be careful not to pierce the wire with a staple, thereby resulting in a short.
- Receiver terminals and the antenna are located on the back panel of the opener. Position the antenna wire as shown.
- Then connect the bell wire as follows: white/red to terminal screw 1 and white to terminal screw 2.
- Remember to affix the User Safety Instruction label to the wall near the Door Control, and the Maintenance Instruction label in a prominent location on the inside of the garage door.**

If the label adhesive will not adhere to your garage wall surface (or becomes loose with time) use tacks to secure the label alongside the control button.

INSTALL THE LIGHT(S): Install a 75 watt maximum light bulb in each socket. Light will turn ON and remain lit for 4-1/2 minutes when power is connected. After 4-1/2 minutes, they will turn OFF.

If bulb burns out prematurely due to vibration, replace with bulb specifically packaged for garage door openers.

INSTALL LENS (Models 5000E & 4000E): Side lens into guides as shown. Snap bottom tabs into lens slots. **For convenience, lenses may be installed after adjustment Step 3 on Page 22.**



WIRING INSTRUCTIONS FOR ACCESSORIES

The Protector System™

To opener terminal screws:
White to 2 and White/Black to 3

Outside Keylock:

To opener terminal screws:
White/Red to 1 and White to 2

OPERATION OF THE MULTI-FUNCTION DOOR CONTROL PANEL

THE DOOR CONTROL PUSH BAR:

Press to open or close the door. Press again to **REVERSE** the door during the closing cycle or to **STOP** the door while it's opening.

LIGHT FEATURE: Press the Light button. If the opener light is off, it will turn on.

If the opener light is on, (even in the 4-1/2 minute automatic cycle) it will turn off.

But if you use the Light Button to turn the light(s) on and then activate the opener, the light(s) will turn off after 4-1/2 minutes.

The Light Feature will not turn the opener light(s) off when the door is in motion.

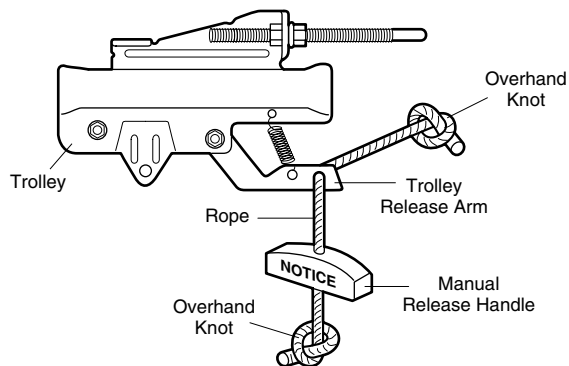
LOCK FEATURE: Designed to prevent operation of the door from portable remote controls. However, the door will open and close from the Door Control push bar and from the Keylock and the Keyless Entry Accessories.

TO ACTIVATE: Press and hold the Lock button for 2 seconds. The push bar light will flash as long as the Lock feature is on.

TO TURN OFF: Press and hold the Lock button again for 2 seconds. The push bar light will stop flashing. Normal operation will resume. The Lock feature will also turn off whenever the "Smart" button on the opener end panel is activated.

Installation Step 6

Attach Manual Release Rope & Handle



USE MANUAL RELEASE ROPE ONLY TO DISENGAGE TROLLEY. DO NOT USE ROPE AND HANDLE TO PULL DOOR OPEN OR CLOSED.

PROCEDURE: Thread one end of rope through hole in top of red handle so "NOTICE" reads right side up as shown. Secure with an overhand knot.

NOTE: Knot should be at least 25mm from the end of the rope to prevent slipping.

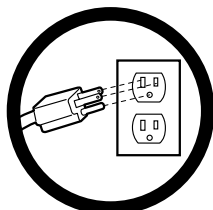
Thread other end of rope through hole in release arm of outer trolley. Adjust rope length so that handle is 1.8m above the floor. Secure with an overhand knot as above.

NOTE: If it is necessary to cut rope, heat seal cut end with a match or lighter to prevent fraying and/or raveling.

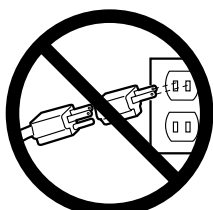
Installation Step 7

Connect Electric Power

Opener **MUST** be permanently wired or plugged into a grounded 3-prong receptacle wired according to local electrical codes. **DO NOT** use a 2-wire adapter. **DO NOT USE** an extension cord.



Right



Wrong



TO AVOID SERIOUS PERSONAL INJURY FROM ENTANGLEMENT, REMOVE ALL ROPES CONNECTED TO THE GARAGE DOOR BEFORE OPERATING OPENER.

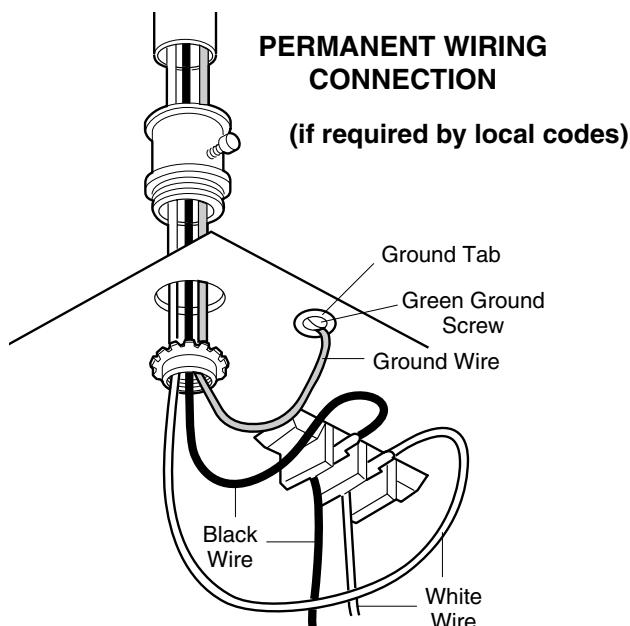


TO AVOID DAMAGE TO GARAGE DOOR AND OPENER, MAKE DOOR LOCKS INOPERATIVE BEFORE CONNECTING ELECTRIC POWER. USE A WOOD SCREW OR NAIL TO HOLD THE LOCKS IN "OPEN" (UNLOCKED) POSITION.

INSTALLATION AND WIRING MUST BE IN COMPLIANCE WITH LOCAL ELECTRICAL AND BUILDING CODES.

OPERATING AT OTHER THAN 120V 60Hz WILL CAUSE OPENER MALFUNCTION AND DAMAGE.

PROCEDURE FOR PERMANENT WIRING



DISCONNECT THE POWER AT THE FUSE BOX BEFORE PROCEEDING.

Refer to illustration. Make connection through the 22mm diameter hole in top of opener.

1. Remove opener cover screws and set cover aside.
2. Remove attached 3-prong cord.
3. Connect black (line) wire to black wire on terminal block; white (neutral) wire to white terminal wire; ground wire to green ground screw.

CAUTION: BE SURE THAT THE UNIT IS GROUNDED ACCORDING TO LOCAL CODE.

IMPORTANT NOTE: TO AVOID INSTALLATION DIFFICULTIES, DO NOT RUN OPENER NOW.

Installation Step 8

Fasten Door Bracket

Follow instructions which apply to your door type as illustrated below.



TO PREVENT DAMAGE TO LIGHTWEIGHT AND METAL GARAGE DOORS (OR ONES WITH GLASS PANELS), ALWAYS REINFORCE THE INSIDE OF DOOR, BOTH VERTICALLY AND HORIZONTALLY, WITH 25MM BOARDS OR ANGLE IRON.

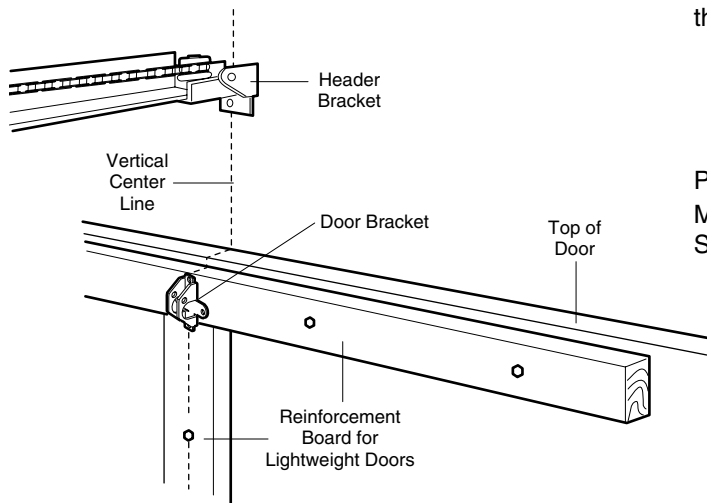
IF YOURS IS A CANOPY OR DUAL-TRACK STYLE GARAGE DOOR, A DOOR ARM CONVERSION KIT IS REQUIRED. FOLLOW THE INSTALLATION INSTRUCTIONS INCLUDED WITH THE REPLACEMENT DOOR ARM.



EXERCISE CARE IN REMOVING AND ASSEMBLING ARM CONVERSION KIT. KEEP FINGERS AWAY FROM THE SLIDING PARTS.

The horizontal brace should be at least 1.8m long. The vertical brace should cover height of top panel. The best solution is to check with your garage door manufacturer for a door reinforcement kit for an opener installation.

SECTIONAL DOOR INSTALLATION PROCEDURE

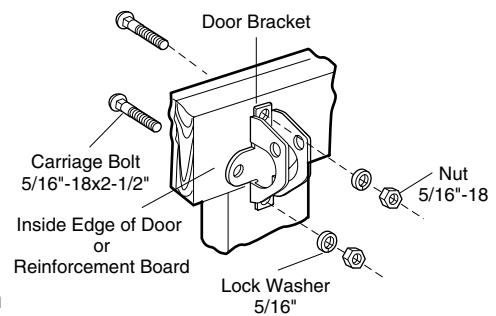


Assemble door bracket as shown. Center bracket on previously marked vertical guideline used for the header bracket installation. Position the bracket assembly on the face of the door within the following limits:

- A. The top edge of the bracket 5-10cm below top edge of door.
- B. Directly below any structural support across top of door.

Placement depends on your particular needs.

Mark and drill 8mm top and bottom fastening holes. Secure bracket as shown.

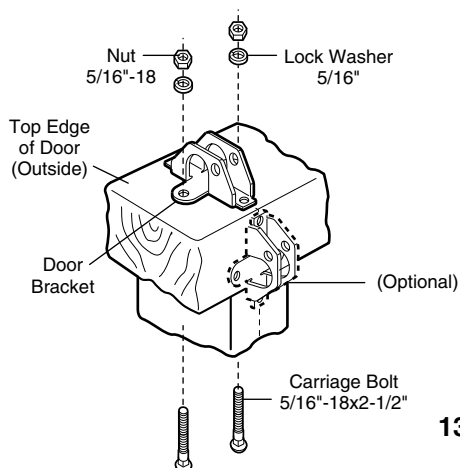


13mm Socket Wrench

ONE-PIECE DOOR INSTALLATION PROCEDURE (WITHOUT VERTICAL TRACK)

Center bracket on top edge of door as shown. Mark holes.

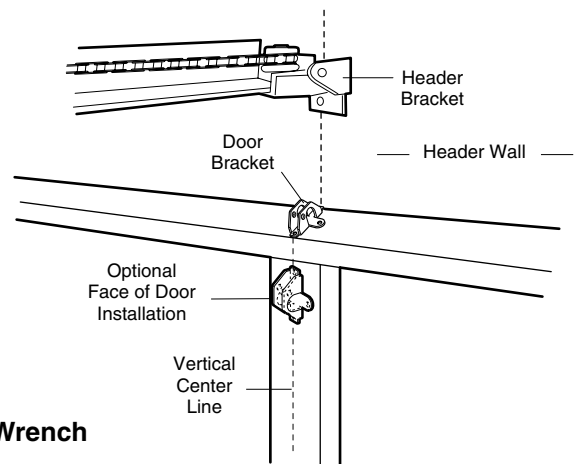
Drill 8mm holes and fasten the door bracket with hardware supplied.



13mm Socket Wrench

NOTE: If the door has no exposed framing, drill 5mm pilot holes and use 5/16"x1-1/2" lag screws (not supplied) to fasten bracket to top of door.

NOTE: The door bracket may be installed on face of door if required for your installation. (Refer to dotted line drawing.) **HOWEVER**, drill 5mm pilot holes and substitute 5/16"x1-1/2" lag screws (not supplied) to fasten the bracket to the door.



Installation Step 9

Connect Door Arm to Trolley

Follow only those instructions which apply to your door type.

SECTIONAL DOORS ONLY

Make sure garage door is closed tight. Pull the manual release handle to disconnect the trolley. Manually move outer trolley back to the center of inner trolley as shown in Figures A, B and C.

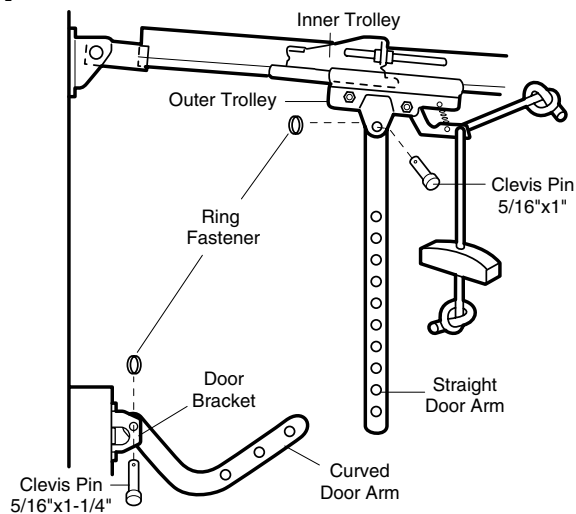
FIGURE A: Fasten straight door arm section to outer trolley with the 5/16"x1" clevis pin. Secure the connection with a ring fastener.

Fasten curved section to the door bracket in the same way, using the 5/16"x1-1/4" clevis pin.

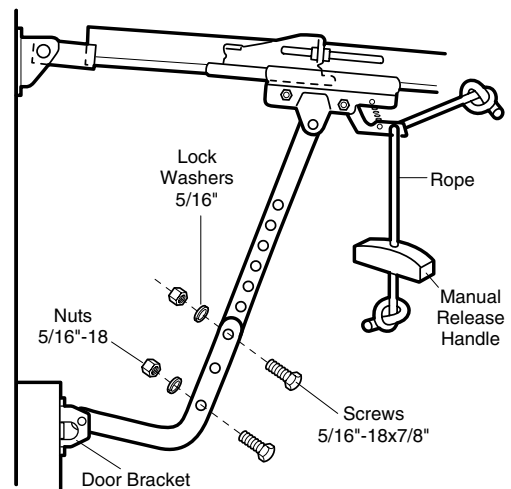
FIGURE B: Bring arm sections together. Find two pairs of holes that line up and join sections.

Select holes as far apart as possible to increase door arm rigidity.

A



B

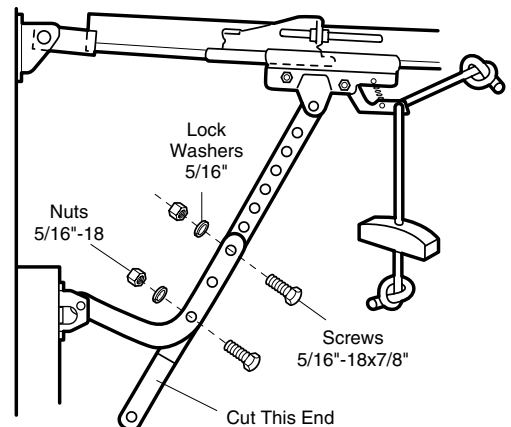


13mm Socket Wrench

FIGURE C: If holes in curved arm are *above* holes in straight arm, disconnect straight arm. Cut about 15cm from the solid end. Reconnect to trolley with *cut end down* as shown.

Bring arm sections together. Find two pairs of holes that line up and join with screws, lock washers and nuts.

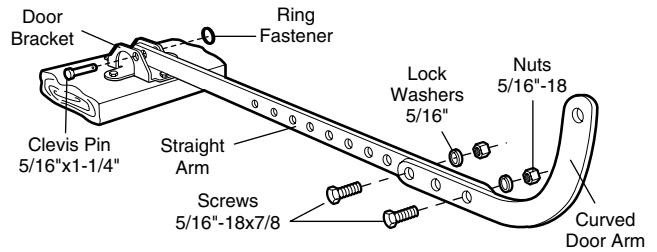
C



Proceed to Step 1, page 20. Trolley will re-engage automatically when opener is operated.

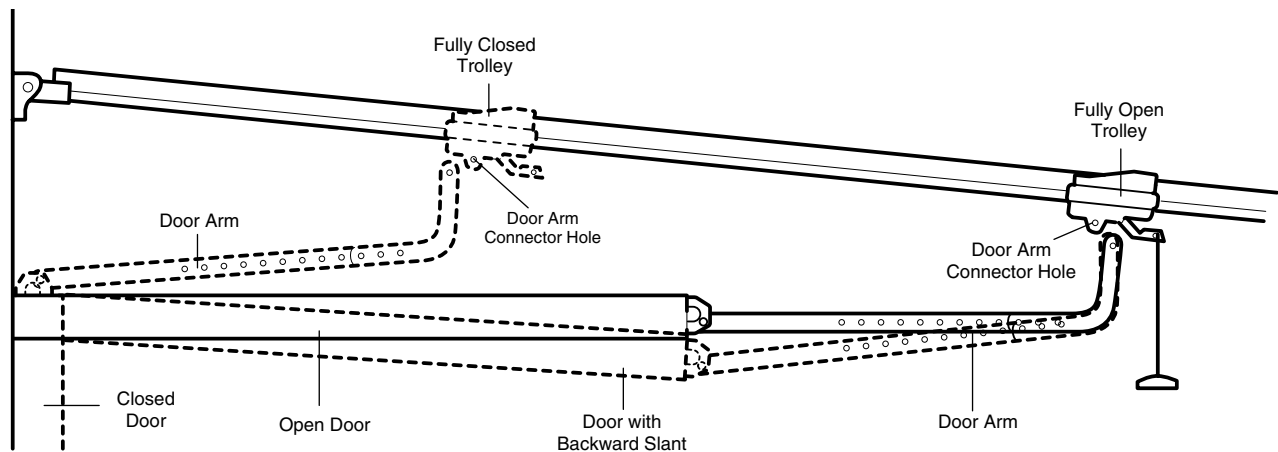
ONE-PIECE DOORS

ASSEMBLE DOOR ARM: Fasten straight and curved door arm sections together to their longest possible length. With door closed, connect straight door arm section to door bracket with the 5/16"x1-1/4" clevis pin. Secure with a ring fastener.



13mm Socket Wrench

Before connecting door arm to trolley, limits of travel must be adjusted on one-piece doors. Limit adjustment screws are located on left side panel as shown in illustration on page 20. Follow procedures below.



ADJUSTMENT PROCEDURES

OPEN DOOR ADJUSTMENT

Decrease UP limit. Turn **UP** limit adjustment screw counterclockwise 5-1/2 turns.

Press door control button. Trolley will travel to full open position.

Manually raise door arm to open position (parallel to floor) and lift door arm to trolley. The arm should touch trolley just in back of door arm connector hole as shown in **solid line** drawing. If arm does not extend far enough, adjust limit further. One full turn equals 5cm of door travel.

CLOSED DOOR ADJUSTMENT

Decrease DOWN limit. Turn **DOWN** limit adjustment screw clockwise 5 complete turns.

Press door control button. Trolley will travel to full closed position.

Manually close door and lift door arm to trolley. The arm should touch trolley just ahead of door arm connector hole as shown in **dotted line** drawing. If arm is behind the connector hole, adjust limit further. One full turn equals 5cm of door travel.

CONNECT DOOR ARM TO TROLLEY: With door closed, join curved arm to connector hole in trolley with remaining clevis pin. Secure with ring fastener. **NOTE: It may be necessary to lift door slightly to make connection.**

Run opener through a complete travel cycle. If door has a slight 'backward' slant in full open position, decrease **UP** limits until door is parallel to floor.

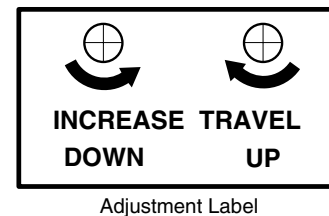
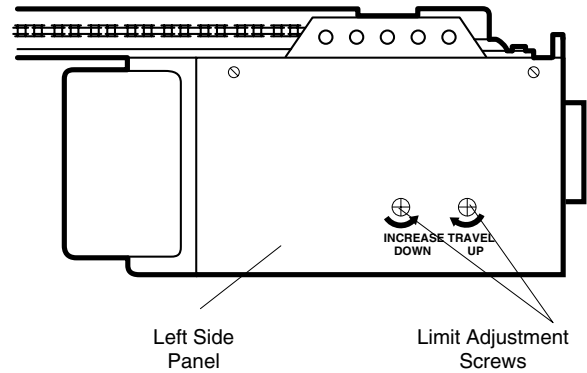
Adjustment Step 1

Adjust UP and DOWN Limits

LIMIT ADJUSTMENT settings regulate the points at which the door will stop when moving up or down.

NOTE: Door **STOPS** in the **UP** direction if anything interferes with door travel. Door **REVERSES** in the **DOWN** direction if anything interferes with the door travel (including binding or unbalanced doors).

PROCEDURE: To operate the opener, press the Door Control Button or transmitter. Run the opener through a **COMPLETE TRAVEL CYCLE**. No limit adjustments are necessary when the door opens and closes completely and doesn't reverse unintentionally when fully closed.



The following chart outlines adjustments procedures. **RUN THE OPENER THROUGH A COMPLETE TRAVEL CYCLE AFTER AFTER EACH ADJUSTMENT.**

NOTE: REPEATED OPERATION OF THE OPENER DURING ADJUSTMENT PROCEDURES MAY CAUSE MOTOR TO OVERHEAT AND SHUT OFF. SIMPLY WAIT 15 MINUTES AND TRY AGAIN.

Read the chart carefully before proceeding to Step 2. Use a screwdriver to make limit adjustments.

LIMIT ADJUSTMENT CHART

IF DOOR DOES NOT OPEN COMPLETELY BUT OPENS AT LEAST 1.5M

Increase **UP** travel. Turn the **UP LIMIT** adjustment screw clockwise. One turn equals 5cm of travel.

If door does not open at least 1.5m: Adjust **UP (OPEN) FORCE** as explained in step 2.

IF DOOR DOES NOT CLOSE COMPLETELY

Increase **DOWN** travel. Turn down limit adjustment screw counterclockwise. One turn equals 5cm of travel.

If the door still will not close completely, the header bracket is positioned too high. See Step 1, page 10.

IF OPENER REVERSES IN FULLY CLOSED POSITION

Decrease **DOWN** travel. Turn down limit adjustment screw clockwise. One turn equals 5cm of travel.

IF DOOR REVERSES WHEN CLOSING AND THERE IS NO INTERFERENCE TO TRAVEL CYCLE

Test door for binding: Pull manual release handle. Manually open and close door. If door is binding, call for garage door service. If door is not binding or unbalanced, adjust **DOWN (CLOSE) FORCE**. See Step 2.

Adjustment Step 2

Adjust Force

Force Adjustment Controls are located on back panel of opener. **FORCE ADJUSTMENT** settings regulate amount of the power required to open and close door.

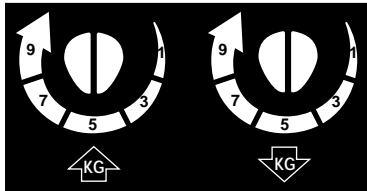
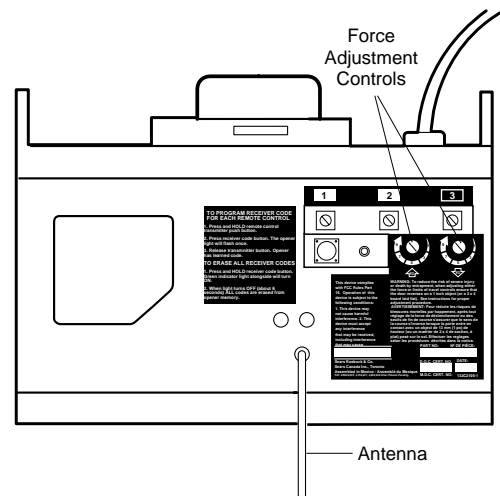
NOTE: The door STOPS in the UP direction if anything interferes with its travel. Door REVERSES in the DOWN direction if anything interferes with its travel (including binding or unbalanced doors).

If the force adjustments are set too light, door travel may be interrupted by nuisances reversals in **DOWN** direction and stops in **UP** direction. Weather conditions can affect the door movement, so occasional adjustment may be needed.

Maximum force adjustment range is 260 degrees, about 3/4 of a complete turn. Do not force controls beyond that point. Turn force adjustment controls with a screwdriver.



DO NOT USE FORCE ADJUSTMENTS TO COMPENSATE FOR A BINDING OR STICKING GARAGE DOOR. EXCESSIVE FORCE WILL INTERFERE WITH PROPER OPERATION OF SAFETY REVERSE SYSTEM OR DAMAGE GARAGE DOOR.



Adjustment Label

FORCE ADJUSTMENT CHART

TEST DOWN (CLOSE) FORCE

Grasp the door handle or door bottom when door is about halfway through **DOWN (CLOSE) TRAVEL**. Door should reverse. If the door is hard to hold or doesn't reverse, decrease **DOWN (CLOSE) FORCE** by turning the control in a counterclockwise direction. Make 10 degree turn adjustments until door reverses normally. After each adjustment, run opener through a complete cycle.

PROCEED TO STEP 3.

IF DOOR DOES NOT OPEN AT LEAST 1.5M

Increase **UP (OPEN) FORCE** by turning the control in a clockwise direction. Make 10 degree turn adjustments until door opens completely. Readjust **UP LIMIT** if necessary. After each adjustment, run opener through a complete travel cycle.

IF DOOR REVERSES DURING DOWN (CLOSE) CYCLE

Increase **DOWN (CLOSE) FORCE** by turning control clockwise. Make 10 degree turn adjustments until door completes close cycle. After each adjustment, run the opener through a complete travel cycle.

Adjustment Step 3

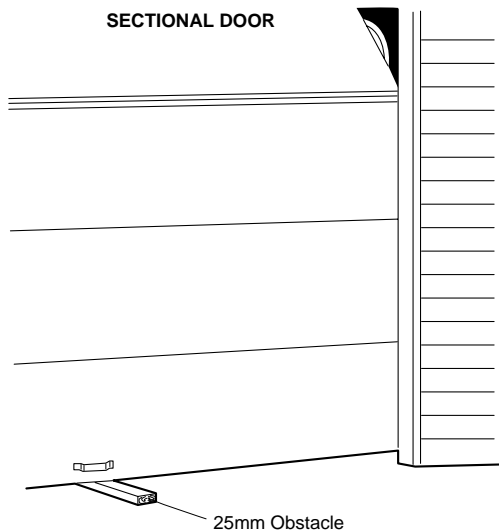
Test Safety Reverse System

PROCEDURE: Place a 25mm obstacle on the floor under the garage door. Operate door in **DOWN** direction. The door **MUST** reverse on the obstruction.

If the door **STOPS** on the obstruction, it is not traveling far enough in the **DOWN** direction. Increase the **DOWN** limit by turning **DOWN** limit adjustment screw counterclockwise 1/4 turn. **REPEAT TEST.**

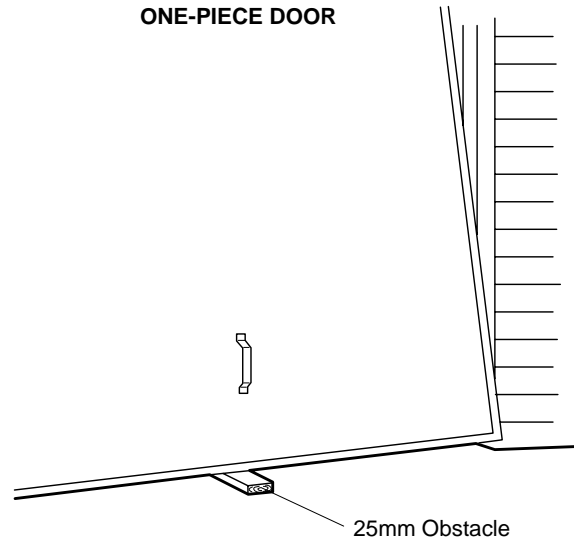
NOTE: Make sure limit adjustments do not force the door arm beyond a straight up and down position. See the illustration on page 18.

When the door reverses on the 25mm obstacle, remove the obstruction and run the opener through 3 or 4 complete travel cycles to test the adjustment. Door **MUST NOT** reverse in closed position. Repeat Adjustment Steps 1, 2 and 3 if necessary.



THE SAFETY REVERSE SYSTEM TEST IS IMPORTANT. GARAGE DOOR MUST REVERSE ON CONTACT WITH A 25MM OBSTACLE PLACED ON THE FLOOR. FAILURE TO PROPERLY ADJUST OPENER MAY RESULT IN SERIOUS PERSONAL INJURY FROM A CLOSING GARAGE DOOR. REPEAT TEST ONCE A MONTH AND ADJUST AS NEEDED.

ONE-PIECE DOOR



REPEAT ADJUSTMENT STEP 3 AFTER:

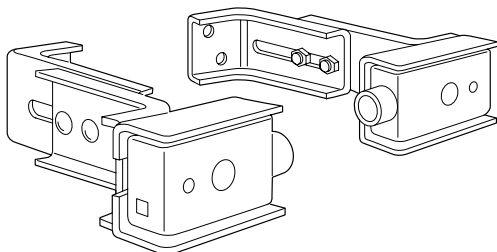
- EACH ADJUSTMENT OF DOOR ARM LENGTH, CLOSE FORCE OR DOWN LIMIT.
- ANY REPAIR OR ADJUSTMENT OF GARAGE DOOR (INCLUDING SPRINGS AND HARDWARE)
- ANY REPAIR OR BUCKLING OF THE GARAGE FLOOR.
- ANY REPAIR OR ADJUSTMENT OF THE GARAGE DOOR OPENER.

The Protector System™

Installation of Optional Safety Feature

After opener has been installed and adjusted, **THE PROTECTOR SYSTEM™** accessory can be installed.

Instructions are included with this optional device.



THE PROTECTOR SYSTEM™ PROVIDES AN ADDITIONAL MEASURE OF SAFETY AGAINST A SMALL CHILD BEING CAUGHT UNDER A GARAGE DOOR. It uses an invisible beam which, when broken by an obstruction, causes a closing door to open and prevents an open door from closing. **STRONGLY RECOMMENDED FOR HOMEOWNERS WITH SMALL CHILDREN.**

Code Programming Instructions

Manufactured under 1 or more of the following U.S. patents: RE29,525; 4,037,201; 4,750,118; 4,806,930. Other Patents Pending



CHILDREN OPERATING OR PLAYING WITH A GARAGE DOOR OPENER CAN INJURE THEMSELVES OR OTHERS. THE GARAGE DOOR COULD CLOSE AND CAUSE SERIOUS INJURY OR DEATH. DO NOT ALLOW CHILDREN TO OPERATE THE DOOR CONTROL(S) OR REMOTE CONTROL TRANSMITTER(S).

A MOVING GARAGE DOOR COULD INJURE OR KILL SOMEONE UNDER IT. ACTIVATE THE OPENER ONLY WHEN YOU CAN SEE THE DOOR CLEARLY, IT IS FREE OF OBSTRUCTIONS, AND IS PROPERLY ADJUSTED.

Your garage door opener receiver and remote control transmitter has been set at the factory to a matching code. The door will open when the button on the remote is pressed.

Below are instructions for programming any additional remotes you may purchase. See available accessories on page 5.

Your "Smart" garage door opener will operate with up to four "Smart" remote control transmitters, (with green indicator lights) a Keyless Entry System and code switch transmitters (with red indicator lights).

To Add A Remote

1. Press and *hold* the remote push button.
2. Then press and release the "Smart" button on the back panel of the opener (Figure 2). The opener light will *flash once*.

Now the opener will operate when the remote control push button is pressed.

If you release the remote control push button before the opener light flashes, the opener has not accepted the code.

To Change the Selected Push Button On the Same Remote

If you purchase a multi-function remote control and decide to use a different remote control button than originally programmed into the opener, you need to erase *all* the learned codes and reprogram each remote used to operate the garage door opener.

To Erase All Remote Control Codes

- Press and hold the "Smart" code button on the opener panel until the indicator light turns off (about 6 seconds). **All the codes the opener has learned will be erased.**
- Repeat Steps 1 and 2 for each remote control in use.

Figure 1

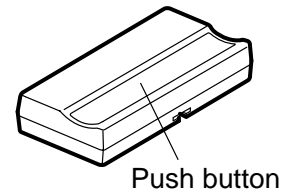
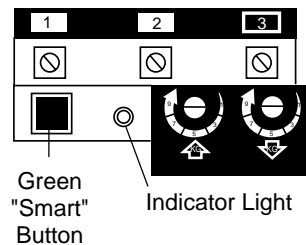


Figure 2

Garage Door Opener
(With Green "SMART" Button)



Code programming instructions are also located on the opener panel.

Having a Problem?

Review Pages 2 and 3 Before Proceeding

Situation

Probable Cause & Solution

OPENER DOESN'T OPERATE FROM EITHER THE REMOTE CONTROL TRANSMITTER OR THE DOOR CONTROL

1. Have you disengaged all door locks? Review Step 7, page 16.
2. Does the opener have electric power? Plug a lamp into the outlet. If it doesn't light, check fuse box or circuit breaker. (Some outlets are controlled by a wall switch.)
3. Repeated operation may have tripped the overload protector in the motor. Wait 15 minutes. Try again.
4. Is there a build-up of ice or snow under door? Door may be frozen to ground. Remove any obstruction.
5. Remove bell wire from opener terminals. Short red and white terminals by touching both terminals at same time with a piece of metal (screwdriver or coin). If opener runs, check for a faulty wire connection at door control button or a short under staples.

OPENER OPERATES FROM REMOTE CONTROL BUT NOT FROM DOOR CONTROL

1. Is door control button lit? If not, refer to No. 5 above.
2. Are wiring connections correct? Review Step 5, pages 14 and 15.

DOOR OPERATES FROM DOOR CONTROL BUT NOT FROM REMOTE CONTROL TRANSMITTER

1. Is the Lock Feature on the Multi-Function Door Control ON? Turn it OFF.
2. Is any door push button flashing? Your opener needs to relearn the code. Follow the instructions located on the opener end panel.
3. Was the receiver programmed to match the transmitter code?
4. Repeat the receiver programming procedure with all transmitters.

REMOTE CONTROL HAS SHORT RANGE

1. Change the location of the remote control in the car. A metal garage door, foil-backed insulation or metal siding will reduce the transmission range.
2. Make sure antenna on the back panel of opener extends fully downward.

THE GARAGE DOOR OPENS AND CLOSES BY ITSELF

1. Make sure that the remote control push button is not stuck in the "on" position.
2. Remove bell wire from opener terminals and operate from remote control only. If this solves the problem, the door control is faulty (replace), or there is a short or broken wire between door control button and opener.

DOOR DOESN'T OPEN COMPLETELY

1. Is something obstructing the door?
2. If door opens at least 1.5m, travel limits may need to be increased. One turn equals 5cm of travel. See page 20.
REPEAT SAFETY REVERSE TEST after the adjustment is complete.
3. If door has been working properly but now doesn't open all the way, increase the **UP FORCE**. See page 21.
REPEAT SAFETY REVERSE TEST after the adjustment is complete.

DOOR DOESN'T CLOSE COMPLETELY

1. Is something obstructing the door?
2. Review the Travel Limits Adjustment Chart on page 20.
REPEAT SAFETY REVERSE TEST after any adjustment of door arm length, close force or down limit.

DOOR WON'T CLOSE

1. Check the Protector System™ (if you have installed this accessory). If the light is blinking, correct alignment.

Having a Problem? (Continued)

Situation

Probable Cause & Solution

DOOR REVERSES FOR NO APPARENT REASON

1. Is something obstructing the door? Pull red manual release handle. Operate door manually. If it is unbalanced or binding, call for professional garage door service.
2. Clear any ice or snow from garage floor area where garage door closes.
3. Review the Force Adjustment Chart on page 21.
REPEAT SAFETY REVERSE TEST after adjustment is complete.
4. If door reverses in **FULLY CLOSED** position, decrease travel limits (Page 20).
REPEAT SAFETY REVERSE TEST after the adjustment is complete. THE NEED FOR OCCASIONAL ADJUSTMENT OF THE FORCE AND LIMIT SETTINGS IS NORMAL. WEATHER CONDITIONS IN PARTICULAR CAN AFFECT DOOR TRAVEL.
5. Check the Protector System™ (if you have installed this accessory). If the light is blinking, correct alignment.

OPENER LIGHT

DOES NOT TURN ON

1. Replace the light bulb (75 watts maximum). Use a "garage door opener bulb" if standard bulb burns out prematurely due to vibration. Vibration may be caused by loose end panel. Retighten screws.

DOES NOT TURN OFF

1. There may be a defective ground at ceiling or wall receptacle.
UNIT MUST BE GROUNDED.
2. Is the Light Feature ON? (Model 5000E) Turn it OFF.

OPENER STRAINS OR MAXIMUM FORCE IS NEEDED TO OPERATE DOOR

1. Door may be out of balance or springs are broken. **Close door** and use manual release rope and handle to disconnect trolley. Open and close door manually. A properly balanced door will stay in any point of travel while being supported entirely by its springs. If it does not, call for professional garage door service.

OPENER MOTOR HUMS BRIEFLY, THEN WON'T WORK

1. Garage door springs are broken. **SEE ABOVE.**
2. The trolley may be jammed into stop bolts. Pull or push on door while motor is humming to release jammed condition. Re-adjust door limits (page 20) to prevent over-travel.
REPEAT SAFETY REVERSE TEST after adjustment is complete.
3. If the problem occurs on first operation of the opener, door is locked. **DISABLE DOOR LOCK.** If chain was removed and reinstalled, motor may be out of phase. Remove chain; cycle motor to the down position. Observe drive sprocket. When it turns in clockwise direction and stops in down position, reinstall chain.
REPEAT SAFETY REVERSE TEST after adjustment is complete.

OPENER WON'T OPERATE DUE TO POWER FAILURE

1. Use manual release rope and handle to disconnect trolley. Door can be opened and closed manually. When the power is restored, press the door control button and trolley will automatically reconnect.
2. The Emergency Release Keylock accessory (for use on garages with no service door) disconnects the trolley from outside the garage in case of power failure.

CHAIN DROOPS OR SAGS

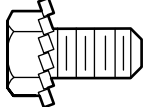
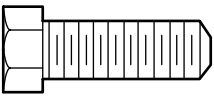
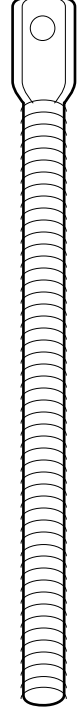
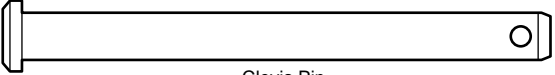
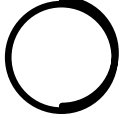

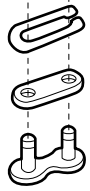
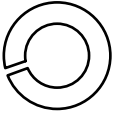
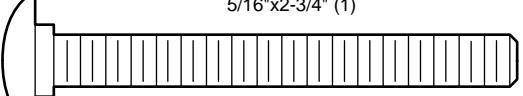
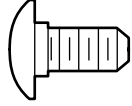


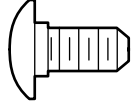
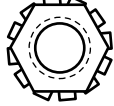
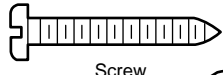

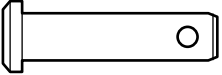
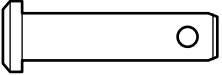
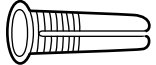
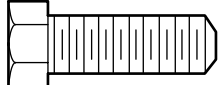
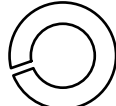

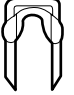
1. It is normal for chain to droop slightly in the closed door position. Use manual release rope and handle to disconnect trolley. If chain returns to normal height when the trolley is disengaged and door reverses on a 25mm obstruction, no adjustments are needed.

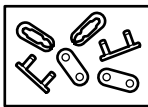
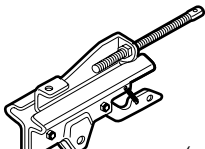
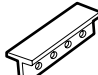
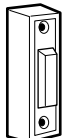
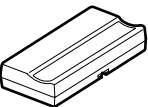
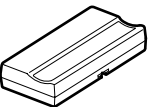
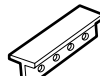
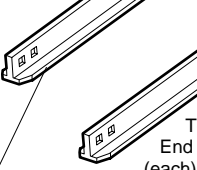

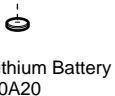
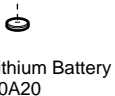
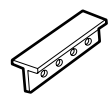
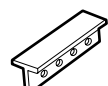
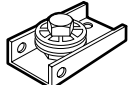
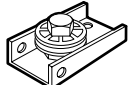
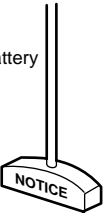
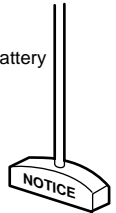

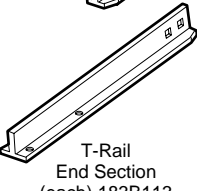
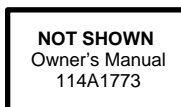
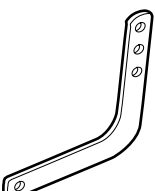
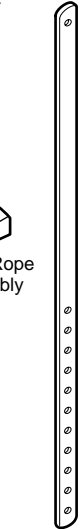
OPENER NOISE IS DISTURBING IN LIVING QUARTERS OF HOME

1. If operational noise is a problem because of proximity of the opener to the living quarters, Vibration Isolator Kit 41A3263 can be installed. This kit was designed to eliminate the "sounding board effect" and is easy to install.

Repair Parts

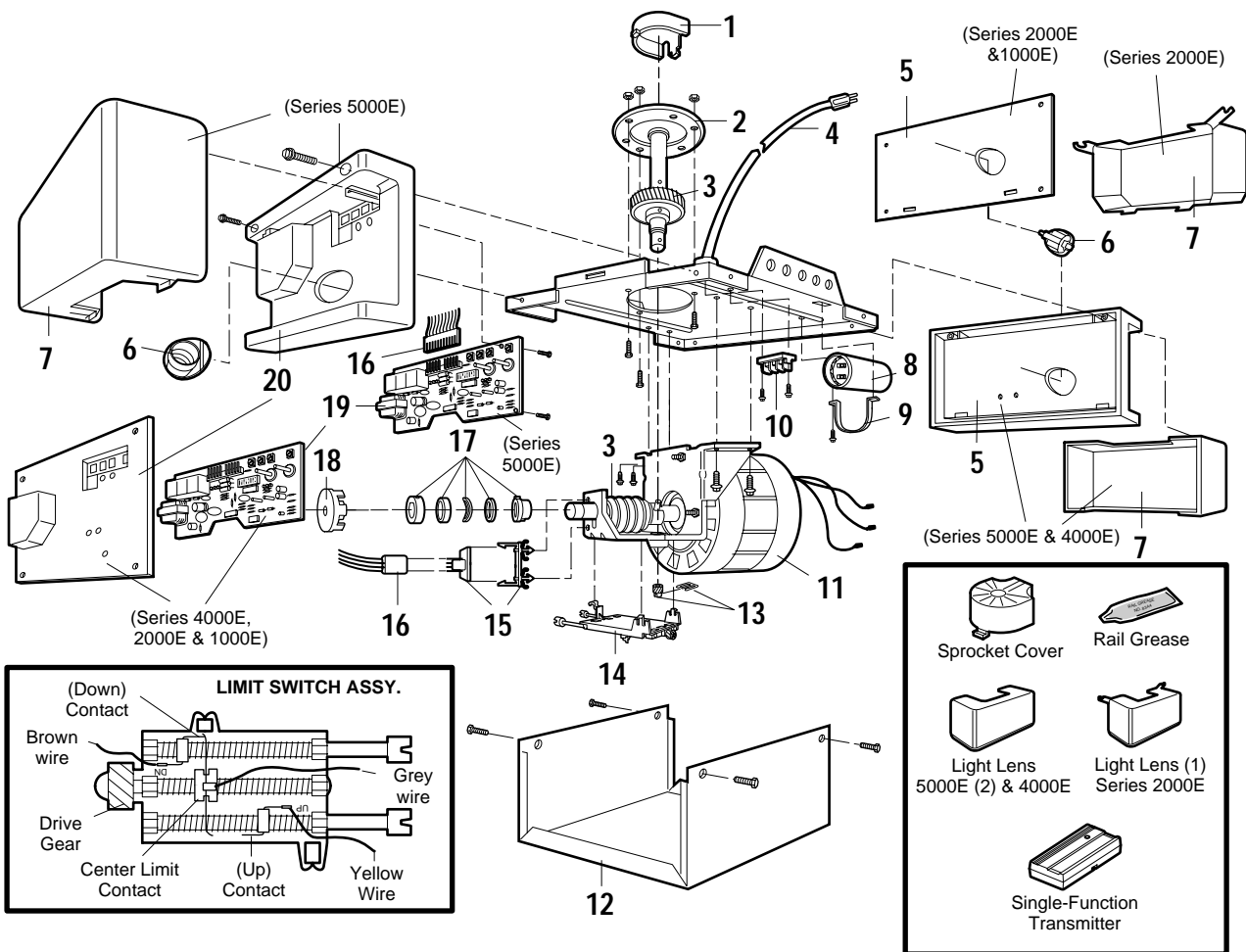
Separate all hardware for assembly and installation procedures as shown below.

ASSEMBLY HARDWARE			INSTALLATION HARDWARE					
Rail Assembly Hardware Kit #41A2848			Installation Hardware Bag #41A3475-5					
 Washed Screw 5/16"-18x1/2" (2) (mounted in opener)	 Hex Screw 5/16"-18x7/8" (3)	 Trolley Threaded Shaft (1)	 Clevis Pin 5/16"x2-3/4" (1)	 Ring Fastener (3)	 Rope			
 Master Link (2)	 Lock Washer 5/16" (4)		 Carriage Bolt 5/16"-18x2-1/2" (2)			 Lag Screw 5/16"-18x1-7/8" (2)	 Screw 6ABx1" (2)	 Handle
 Carriage Bolts 1/4"-20x1/2" (12)	 Nut 5/16"-18 (5)		 Lag Screw 5/16"-9x1-5/8" (2)			 Clevis Pin 5/16"x1-1/4" (1)	 Clevis Pin 5/16"x1" (1)	 Anchors (2)
	 Lock Nut 1/4"-20x7/16" (12)		 Hex Screw 5/16"-18x7/8" (4)			 Lock Washer 5/16" (6)	 Nut 5/16"-18 (6)	 Insulated Staples (10)

RAIL ASSEMBLY PARTS			INSTALLATION PARTS		
 Master Link Kit 1A995	 Trolley 41A3489	 Rail Brace (each) 183B112	 Lighted Door Control Button 41A4166	 Single-Function Remote Control Transmitter Case, Cover & Screw Assembly (circuit board not included) 41A3984-14	
 Rail Brace	 T-Rail End Section (each) 183B113	 T-Rail Center Section (each) 183B111	 2-Strand Bell Wire 217A238	 3V2032 Lithium Battery 10A20	 Header Bracket plus Clevis and Fastener 41A4353
 Rail Brace	 Chain and Cable 41A3473	 Cable Pulley Bracket Assy. 41B2616	 Remote Control Transmitter Visor Clip 29C128	 Manual Release Rope & Handle Assembly 41A2828	 NOT SHOWN Owner's Manual 114A1773
 T-Rail End Section (each) 183B113			 Hanging Brackets 12B350	 Door Bracket plus Clevis and Fastener 41A5047	 Curved Door Arm Section 178B35
					 Straight Door Arm Section 178B34

Repair Parts

OPENER ASSEMBLY PARTS



KEY NO.	PART NO.	DESCRIPTION	KEY NO.	PART NO.	DESCRIPTION
1	31D380	Sprocket cover	12	41A3666	Cover (Series 5000E)
2	41C4220A	Gear and sprocket assembly Complete with: Spring washer, Thrust washer, Retaining ring Bearing plate, Roll pins (2) Drive gear, Worm gear Helical gear w/retainer Grease		41A3666-1	Cover (Series 4000E)
3	41A2817	Drive/worm gear kit w/grease Roll pins (2)		41A3666-2	Cover (Series 2000E)
4	41B4245	Line cord		41A3666-3	Cover (Series 1000E)
5	143D100	End panel (Series 2000E & 1000E)	13	41A2818	Helical gear & retainer w/grease
	143D152	End panel (Other Series)	14	41D3452	Limit switch assembly
6	175B88M	Light socket	15	41C4398A	RPM sensor assembly
7	108D36	Lens (Series 2000E)	16	41C4285	Wire harness assy. w/plug
	108D34	Lens (Series 5000E & 4000E)	17	41A2826	Shaft bearing kit
8	30B363	Capacitor-1/2HP	18	41A2822A	Interrupter cup assembly
	30B387	Capacitor-1/3HP	19	41A4201-2C	Receiver logic board assembly (Series 5000E)
	30B366	Capacitor-1/4HP		41A4201-3C	Receiver logic board assembly (Other Series)
9	12A373	Capacitor bracket			Complete with: Logic board, End panel w/all labels
10	41A3150	Terminal block w/screws	20	41A4447	End panel w/all labels (Series 5000E)
11	41D3058	Universal replacement motor & bracket assembly (Includes motor, worm, bracket, bearing assembly, RPM sensor).		41A4448	End panel w/all labels (Other Series)
					NOT SHOWN
				41A2825	Opener assembly hardware kit (includes screws not designated by number in illustration).

CHAMBERLAIN SERVICE IS ON CALL

OUR LARGE SERVICE ORGANIZATION
SPANS AMERICA

INSTALLATION AND SERVICE INFORMATION IS AS
NEAR AS YOUR TELEPHONE SIX DAYS A WEEK.
SIMPLY DIAL OUR NUMBER:

1-602-792-0511

In Mexico City: 368-5501

Toll Free Outside Mexico City: 01-800-500-9300

HOURS: 7:00 A.M. TO 3:30 P.M.

(Mountain Std. Time)

MONDAY through SATURDAY

For professional installation, parts and service,
contact your local CHAMBERLAIN dealer. Look for him
in the Yellow Pages, or call our Service number for a list
of dealers in your area.

HOW TO ORDER REPAIR PARTS

Selling prices will be furnished on request or parts will
be shipped at prevailing prices and you will be billed
accordingly.

WHEN ORDERING REPAIR PARTS, ALWAYS GIVE
THE FOLLOWING INFORMATION:

- PART NUMBER
- PART NAME
- MODEL NUMBER

OUTSIDE OF MEXICO ADDRESS ORDERS TO:

THE CHAMBERLAIN GROUP, INC.

International Operations

845 Larch Avenue

Elmhurst, IL 60126-1196, USA

IN MEXICO ADDRESS ORDERS TO:

MERIK S.A. DE C.V.

Poniente 152 #929

Col. Industrial Vallejo

México 02300 D.F.

CHAMBERLAIN GARAGE DOOR OPENER ONE-YEAR LIMITED WARRANTY

The Chamberlain Group warrants to the first retail purchaser of this product that it will be free from any defect in materials and/or workmanship for a period of twelve full months from the date of purchase. The product must be used in complete accordance with Chamberlain's instructions for installation, operation and care.

LIMITED WARRANTY ON MOTOR

Model Series 5000E: The motor is warranted to be free from any defect in materials and/or workmanship for a period of 60 full months (5 years) from the date of purchase.

Model Series 4000E: The motor is warranted to be free from any defect in materials and/or workmanship for a period of 72 full months (6 years) from the date of purchase.

Model Series 2000E: The motor is warranted to be free from any defect in materials and/or workmanship for a period of 48 full months (4 years) from the date of purchase.

Model Series 1000E: The motor is warranted to be free from any defect in materials and/or workmanship for a period of 12 full months (1 years) from the date of purchase.

This warranty does not cover non-defect damage, damage caused by unreasonable use (including abuse, failure to provide reasonable and necessary maintenance, or any alterations to the product), labor charges for dismantling or reinstalling of a repaired or replaced unit or replacement batteries.

If, during the warranty period, the product appears as though it may be defective, **CALL OUR SERVICE NUMBER BEFORE DISMANTLING IT (1-602-792-0511/368-5501/01-800-500-9300)**. If the product is then alleged to be defective, please send it pre-paid and insured to our Service Center to obtain warranty repair. You will be advised of shipping instructions when you call the number listed above.

Please be sure to include a brief description of the problem and a dated proof-of-purchase receipt with any product that is returned for warranty repair.

Product under warranty, which upon receipt by Chamberlain is determined to be defective in materials and/or workmanship, will be repaired or replaced (Chamberlain's option) at no cost to you and returned pre-paid. Defective parts will be repaired or replaced with new or factory rebuild parts at Chamberlain's option.

THE DURATION OF IMPLIED WARRANTIES OF MERCHANTABILITY AND FITNESS FOR A PARTICULAR PURPOSE IS LIMITED TO THE DURATION OF THIS WRITTEN WARRANTY. SOME STATES MAY NOT ALLOW LIMITATIONS ON HOW LONG AN IMPLIED WARRANTY LASTS, SO THE ABOVE LIMITATION MAY NOT APPLY TO YOU.

All claims for consequential or incidental damages for breach of this warranty are excluded and in no event shall manufacturer's liability for breach of warranty, negligence, strict liability or breach of contract exceed the cost of the product covered herein, but the purchaser is entitled to the remedies expressly provided in this policy. Some states do not allow the exclusion or limitation of incidental or consequential damages, so the above limitation or exclusion may not apply to you.

No representative or person is authorized to assume for us any other liability in connection with the sale of this product. This warranty gives you specific legal rights, and you may also have other rights which may vary from state to state.

Free Manuals Download Website

<http://myh66.com>

<http://usermanuals.us>

<http://www.somanuals.com>

<http://www.4manuals.cc>

<http://www.manual-lib.com>

<http://www.404manual.com>

<http://www.luxmanual.com>

<http://aubethermostatmanual.com>

Golf course search by state

<http://golfingnear.com>

Email search by domain

<http://emailbydomain.com>

Auto manuals search

<http://auto.somanuals.com>

TV manuals search

<http://tv.somanuals.com>