

CHAMBERLAIN®

**LiftMaster®**  
**PROFESSIONAL**

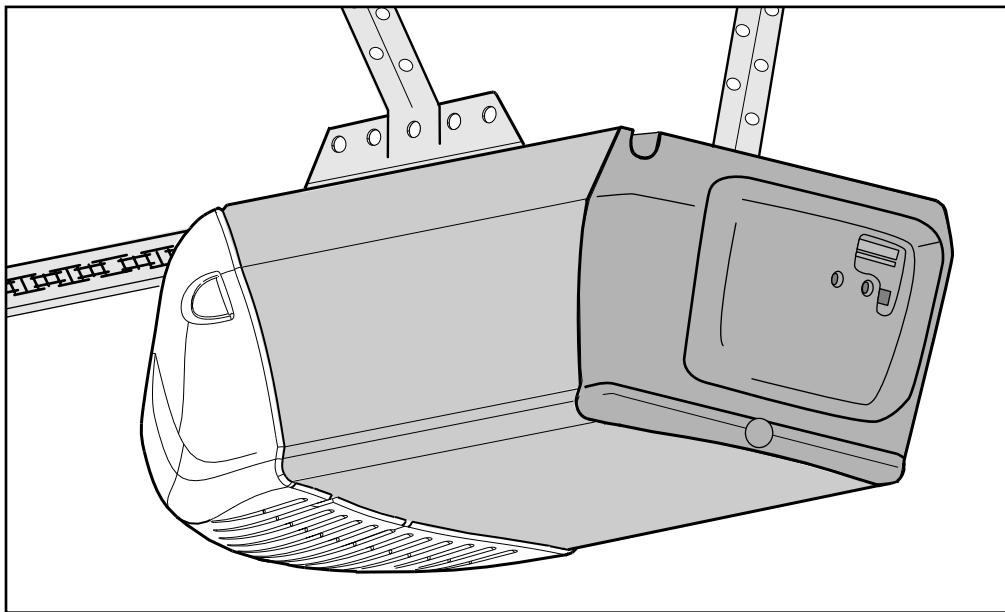
The Chamberlain Group, Inc.  
845 Larch Avenue  
Elmhurst, Illinois 60126-1196  
www.liftmaster.com



## **SECURITY+®** **GARAGE DOOR OPENER**

**Models 2245C 1/3 HP**  
**2255C 1/2 HP**  
**2255-2C 1/2 HP**

*For Residential Use Only*



### ***Owner's Manual***

- Please read this manual and the enclosed safety materials carefully!
- Fasten the manual near the garage door after installation.
- The door **WILL NOT CLOSE** unless the Protector System® is connected and properly aligned.
- Periodic checks of the opener are required to ensure safe operation.
- The model number label is located on the front panel of your opener.

# TABLE OF CONTENTS

<b>Introduction</b>	<b>2-5</b>	<b>Adjustment</b>	<b>23-25</b>
Safety symbol and signal word review .....	2	Adjust the travel limits .....	23
Preparing your garage door .....	3	Adjust the force .....	24
Tools needed .....	3	Test the safety reversal system .....	25
Planning .....	4	Test the Protector System® .....	25
Carton inventory .....	5	<b>Operation</b>	<b>26-30</b>
Hardware inventory .....	5	Operation safety instructions .....	26
<b>Assembly</b>	<b>6-7</b>	Using your garage door opener .....	26
Attach the rail to the motor unit .....	6	Using the wall-mounted door control .....	27
Attach the chain to the sprocket .....	6	To open the door manually .....	27
Tighten the chain .....	7	Care of your garage door opener .....	28
<b>Installation</b>	<b>7-22</b>	Having a problem? .....	29
Installation safety instructions .....	7	Diagnostic chart .....	30
Determine the header bracket location .....	8	<b>Programming</b>	<b>31-32</b>
Install the header bracket .....	9	To add or reprogram a hand-held remote control .....	31
Attach the rail to the header bracket .....	10	To erase all codes .....	31
Position the opener .....	11	3-Button remotes .....	31
Hang the opener .....	12	To add, reprogram or change	
Install the door control .....	13	a Keyless Entry PIN .....	32
Install the light .....	14	<b>Repair Parts</b>	<b>33-34</b>
Attach the emergency release rope and handle .....	14	Rail assembly parts .....	33
Electrical requirements .....	15	Installation parts .....	33
Install the Protector System® .....	16-18	Motor unit assembly parts .....	34
Fasten the door bracket .....	19-20	<b>Accessories</b>	<b>35</b>
Connect the door arm to the trolley .....	21-22	<b>Repair Parts and Service</b>	<b>36</b>
		<b>Warranty</b>	<b>36</b>

## INTRODUCTION

### Safety Symbol and Signal Word Review

This garage door opener has been designed and tested to offer safe service provided it is installed, operated, maintained and tested in strict accordance with the instructions and warnings contained in this manual.

**⚠ WARNING**

**Mechanical**

**⚠ WARNING**

**Electrical**

**CAUTION**

When you see these Safety Symbols and Signal Words on the following pages, they will alert you to the possibility of **serious injury or death** if you do not comply with the warnings that accompany them. The hazard may come from something mechanical or from electric shock. Read the warnings carefully.

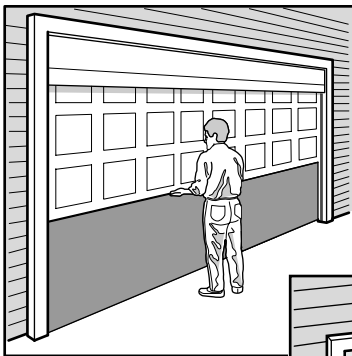
When you see this Signal Word on the following pages, it will alert you to the possibility of damage to your garage door and/or the garage door opener if you do not comply with the cautionary statements that accompany it. Read them carefully.

## Preparing your garage door

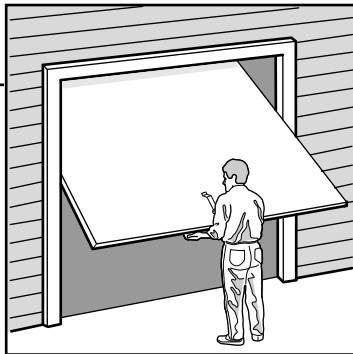
Before you begin:

- Disable locks.
- Remove any ropes connected to garage door.
- **Complete the following test** to make sure your garage door is balanced and is not sticking or binding:
  1. Lift the door about halfway as shown. Release the door. If balanced, it should stay in place, supported entirely by its springs.
  2. Raise and lower the door to see if there is any binding or sticking.

If your door binds, sticks, or is out of balance, call a trained door systems technician.



Sectional Door



One-Piece Door

## ⚠ WARNING

To prevent possible **SERIOUS INJURY OR DEATH**:

- **ALWAYS** call a trained door systems technician if garage door binds, sticks, or is out of balance. An unbalanced garage door may not reverse when required.
- **NEVER** try to loosen, move or adjust garage door, door springs, cables, pulleys, brackets or their hardware, all of which are under **EXTREME** tension.
- Disable **ALL** locks and remove **ALL** ropes connected to garage door **BEFORE** installing and operating garage door opener to avoid entanglement.

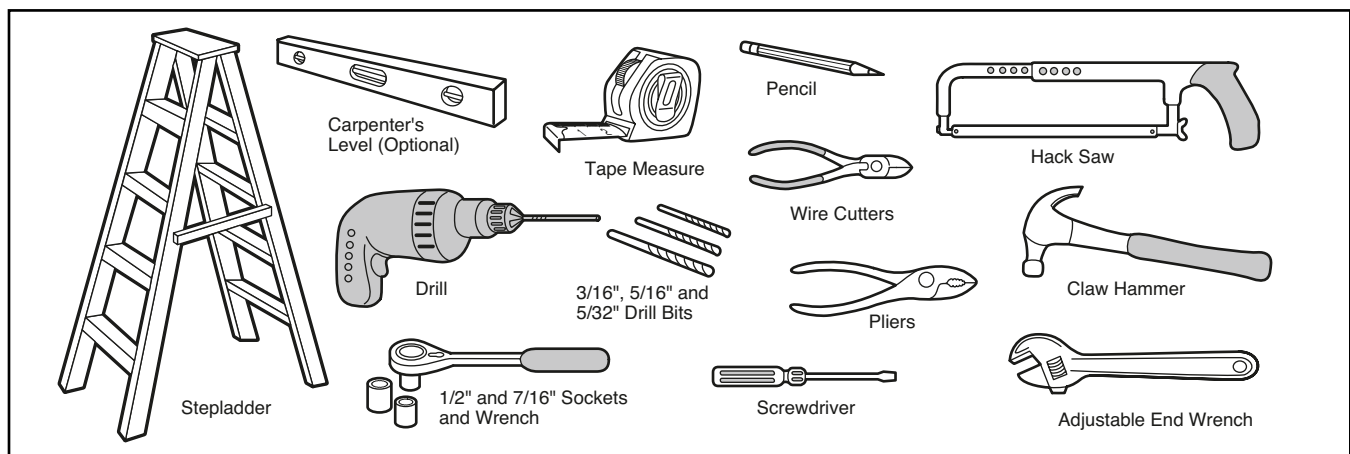
## CAUTION

To prevent damage to garage door and opener:

- **ALWAYS** disable locks **BEFORE** installing and operating the opener.
- **ONLY** operate garage door opener at 120V, 60 Hz to avoid malfunction and damage.

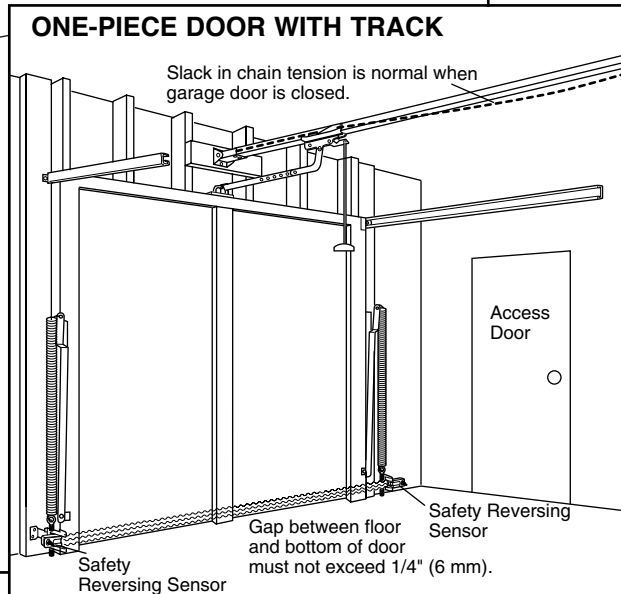
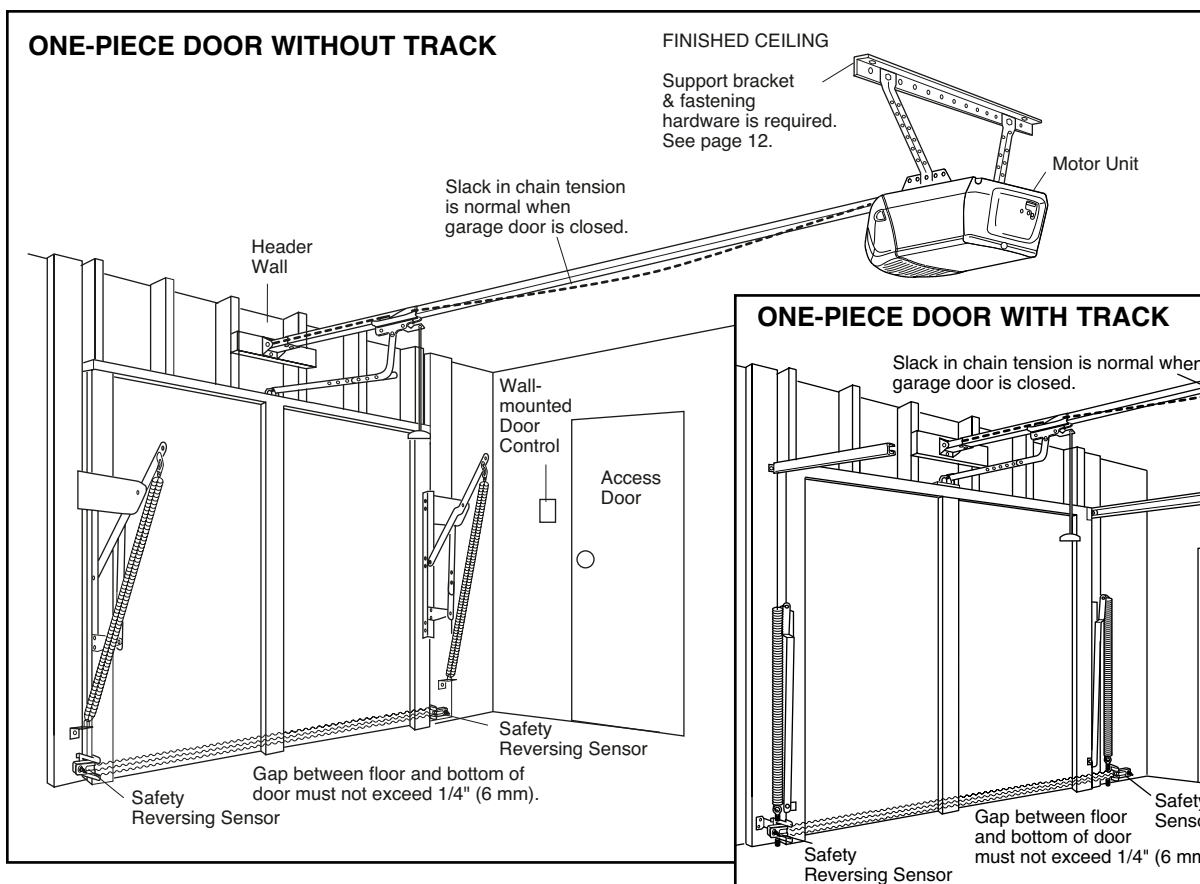
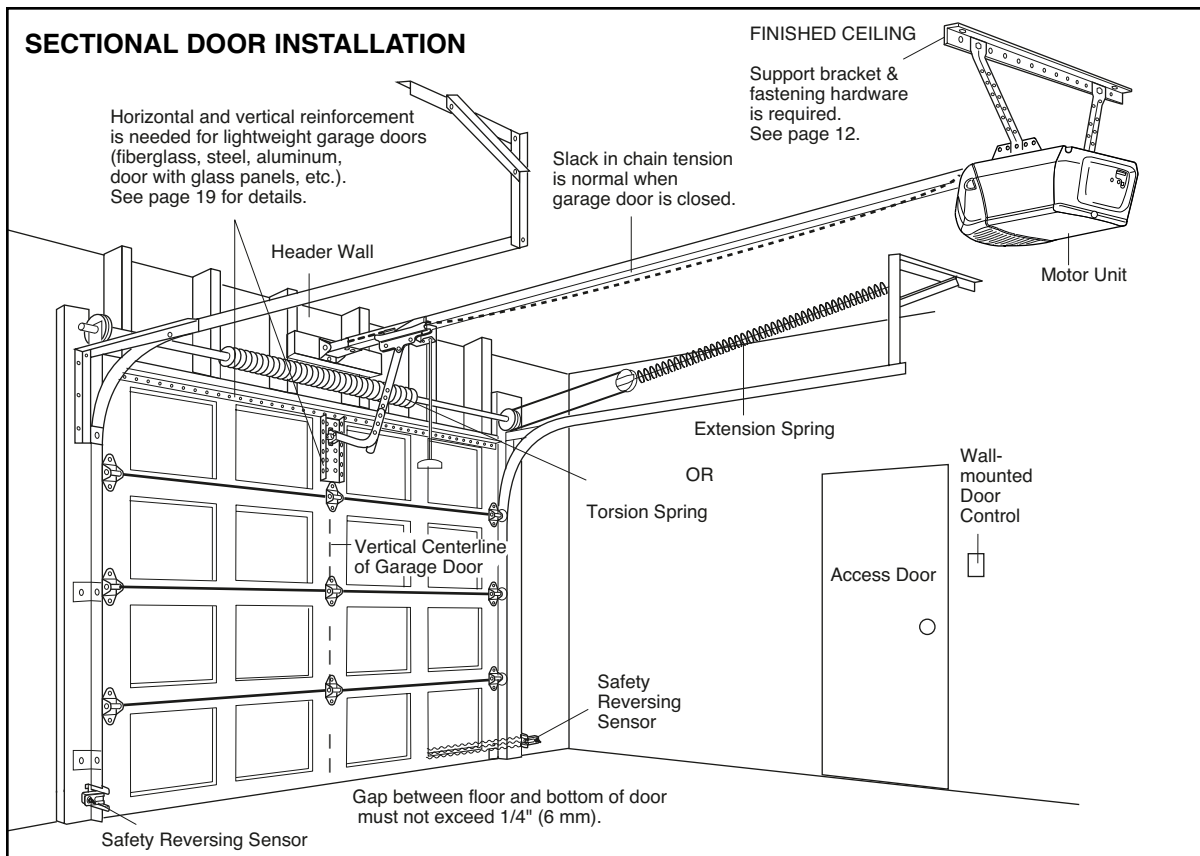
## Tools needed

During assembly, installation and adjustment of the opener, instructions will call for hand tools as illustrated below.



## Planning

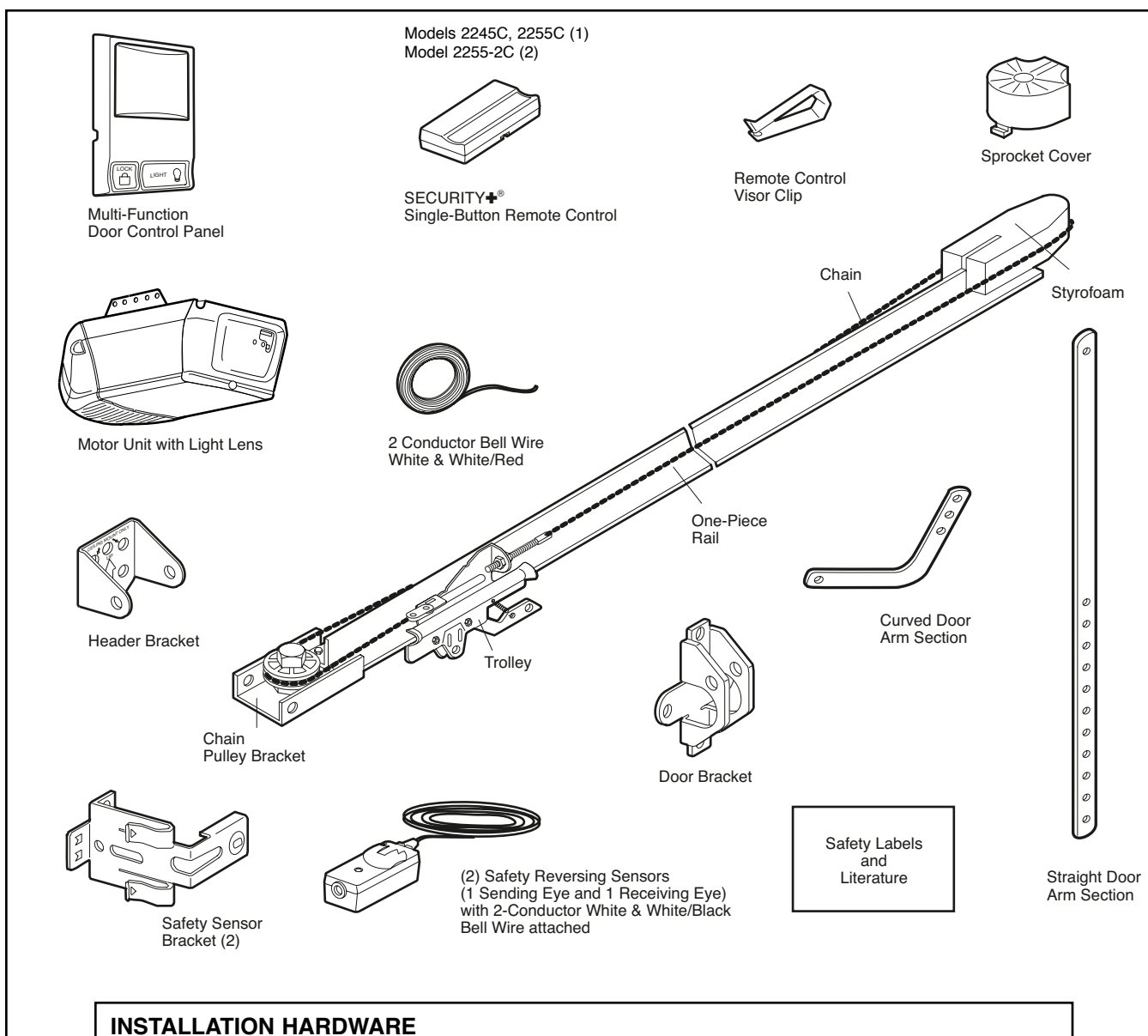
Identify the type and height of your garage door. Survey your garage area to see if any of the conditions below apply to your installation. Additional materials may be required. You may find it helpful to refer back to this page and the accompanying illustrations as you proceed with the installation of your opener.



## Carton Inventory

Your garage door opener is packaged in two cartons which contain the motor unit and all parts illustrated below. Accessories will depend on the model

purchased. If anything is missing, carefully check the packing material. Parts may be stuck in the foam. Hardware for installation is also listed below.



### INSTALLATION HARDWARE

- |                                       |                                |
|---------------------------------------|--------------------------------|
| Hex Bolt 5/16"-18x7/8" (4)            | Insulated Staples (30)         |
| Lag Screw 5/16"-9x1-5/8" (2)          | Ring Fastener (3)              |
| Lag Screw 5/16"-18x1-7/8" (2)         | Drywall Anchors (2)            |
| Clevis Pin 5/16"x2-3/4" (1)           | Rail Grease                    |
| Clevis Pin 5/16"x1-1/4" (1)           | Carriage Bolt 1/4"-20x1/2" (2) |
| Clevis Pin 5/16"x1" (1)               | Wing Nut 1/4"-20 (2)           |
| Nut 5/16"-18 (4)                      | Rope                           |
| Lock Washer 5/16" (4)                 | Handle                         |
| Screw 6ABx1-1/4" (2)                  |                                |
| Screw 6-32x1" (2)                     |                                |
| Self-Threading Screw 1/4"-14x5/8" (2) |                                |

## ASSEMBLY STEP 1

### Attach the Rail to the Motor Unit

To avoid installation difficulties, do not run the garage door opener until instructed to do so.

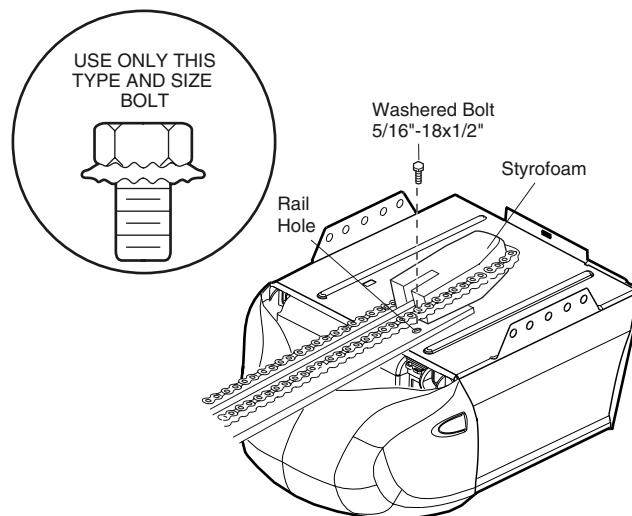
- Remove the two washered bolts mounted in top of motor unit.
- Position rail at a 45° angle to opener so one hole in rail and motor unit line up.
- Thread one of the washered bolts part way in.

**Use only these bolts! Use of any other bolts will cause serious damage to door opener.**

- Align rail and styrofoam over sprocket. Cut tape from rail, chain and styrofoam.
- REMOVE STYROFOAM.

## CAUTION

To avoid SERIOUS damage to garage door opener, use ONLY those bolts/fasteners mounted in the top of the opener.



## ASSEMBLY STEP 2

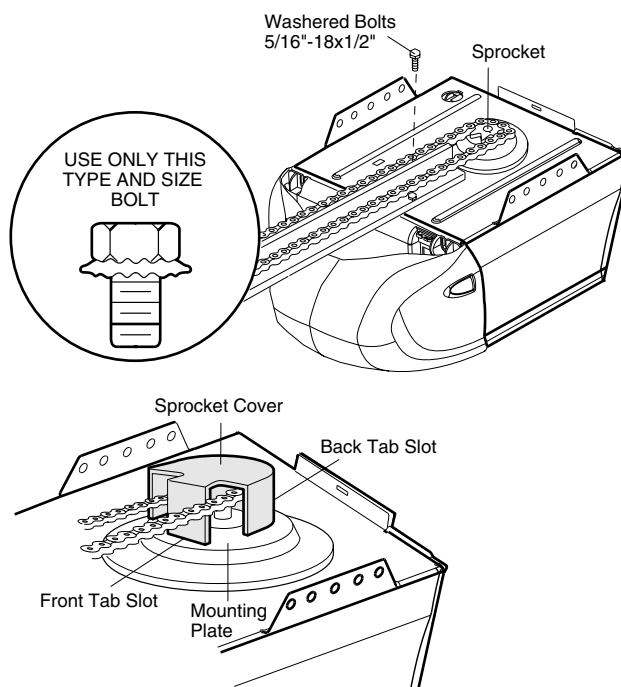
### Attach the Chain to the Sprocket and Install the Sprocket Cover

- Position chain over the sprocket. If necessary, loosen the outer nut on the trolley to obtain more chain slack.
- Insert the second washered bolt. **CAUTION: Use only the bolt previously removed from motor unit!**
- Tighten both bolts securely through the rail into the motor unit as shown.
- Install the sprocket cover: Insert the back tab in the slot. Squeeze the cover slightly and insert the front tab in the slot on the mounting plate.

## WARNING

To avoid possible SERIOUS INJURY to fingers from moving garage door opener:

- ALWAYS keep hand clear of sprocket while operating opener.
- Securely attach sprocket cover BEFORE operating.



## ASSEMBLY STEP 3

### Tighten the Chain

- Spin the inner nut and lock washer down the trolley threaded shaft, away from the trolley.
- To tighten the chain, turn outer nut in the direction shown (Figure 1).
- When the chain is approximately 1/2" (13 mm) above the base of the rail at its midpoint, re-tighten the inner nut to secure the adjustment.

Sprocket noise can result if chain is too loose.

When installation is complete, you may notice some chain droop with the door closed. This is normal. If the chain returns to the position shown in Figure 2 when the door is open, do not re-adjust the chain.

**NOTE:** During future maintenance, ALWAYS pull the emergency release handle to disconnect trolley before adjusting chain.

**NOTE:** You may notice loosening of chain after Adjustment Step 3 (Test the Safety Reversal System). Check for proper tension and readjust chain if necessary. Then repeat Adjustment Step 3.

**You have now finished assembling your garage door opener. Please read the following warnings before proceeding to the installation section.**

Figure 1

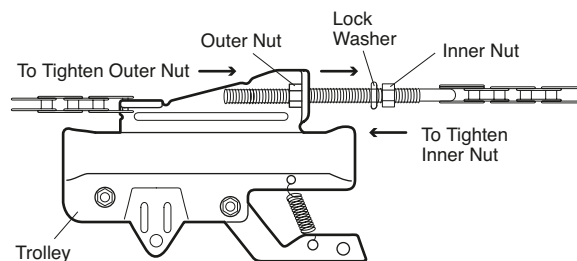
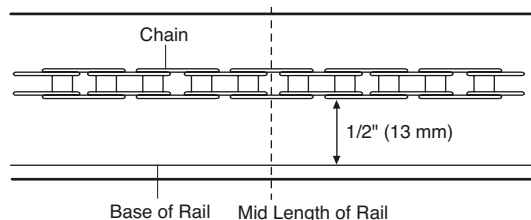


Figure 2



## INSTALLATION

### IMPORTANT INSTALLATION INSTRUCTIONS

#### ⚠️ ⚠️ WARNING

#### To reduce the risk of SEVERE INJURY or DEATH:

1. READ AND FOLLOW ALL INSTALLATION WARNINGS AND INSTRUCTIONS.
2. Install garage door opener only on properly balanced and lubricated garage door. An improperly balanced door may not reverse when required and could result in SEVERE INJURY or DEATH.
3. All repairs to cables, spring assemblies and other hardware MUST be made by a trained door systems technician BEFORE installing opener.
4. Disable all locks and remove all ropes connected to garage door BEFORE installing opener to avoid entanglement.
5. Install garage door opener 7 feet (2.13 m) or more above floor.
6. Mount emergency release handle 6 feet (1.83 m) above floor.
7. NEVER connect garage door opener to power source until instructed to do so.
8. NEVER wear watches, rings or loose clothing while installing or servicing opener. They could be caught in garage door or opener mechanisms.
9. Install wall-mounted garage door control:
  - within sight of the garage door.
  - out of reach of children at minimum height of 5 feet (1.5 m).
  - away from all moving parts of the door.
10. Place entrapment warning label on wall next to garage door control.
11. Place manual release/safety reverse test label in plain view on inside of garage door.
12. Upon completion of installation, test safety reversal system. Door MUST reverse on contact with a 1-1/2" (3.8 cm) high object (or a 2x4 laid flat) on the floor.

# INSTALLATION STEP 1

## Determine the Header Bracket Location

### WARNING

To prevent possible **SERIOUS INJURY** or **DEATH**:

- Header bracket **MUST** be **RIGIDLY** fastened to structural support on header wall or ceiling, otherwise garage door might not reverse when required. **DO NOT** install header bracket over drywall.
- Concrete anchors **MUST** be used if mounting header bracket or 2x4 into masonry.
- **NEVER** try to loosen, move or adjust garage door, springs, cables, pulleys, brackets, or their hardware, all of which are under **EXTREME** tension.
- **ALWAYS** call a trained door systems technician if garage door binds, sticks, or is out of balance. An unbalanced garage door might not reverse when required.

Installation procedures vary according to garage door types. Follow the instructions which apply to your door.

1. Close the door and mark the inside vertical centerline of the garage door.
2. Extend the line onto the header wall above the door.

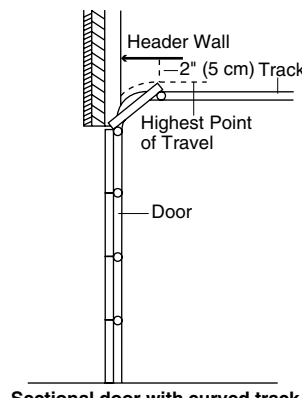
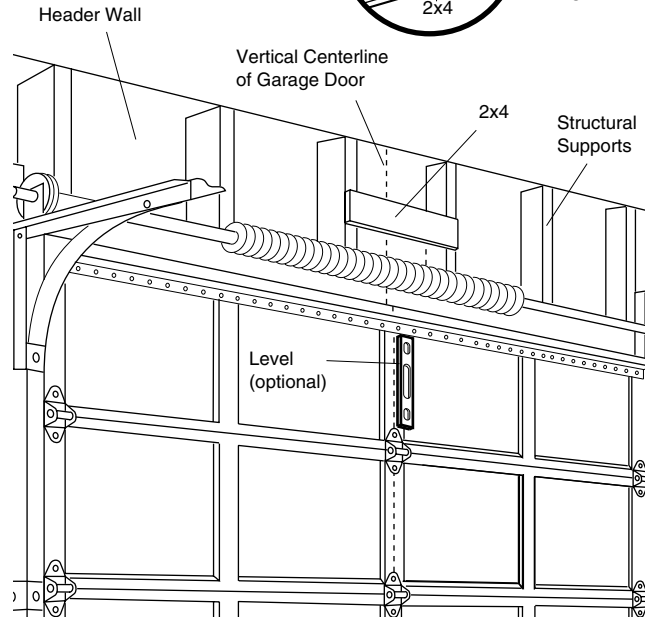
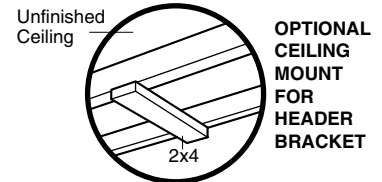
**You can fasten the header bracket within 4 feet (1.22 m) of the left or right of the door center only if a torsion spring or center bearing plate is in the way; or you can attach it to the ceiling (see page 9) when clearance is minimal. (It may be mounted on the wall upside down if necessary, to gain approximately 1/2" (1 cm).**

If you need to install the header bracket on a 2x4 (on wall or ceiling), use lag screws (not provided) to securely fasten the 2x4 to structural supports as shown here and on page 9.

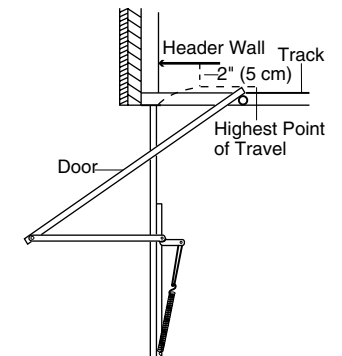
3. Open your door to the highest point of travel as shown. Draw an intersecting horizontal line on the header wall above the high point:
  - 2" (5 cm) above the high point for sectional door and one-piece door with track.
  - 8" (20 cm) above the high point for one-piece door without track.

This height will provide travel clearance for the top edge of the door.

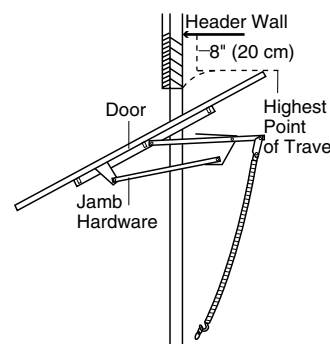
**NOTE:** If the total number of inches exceeds the height available in your garage, use the maximum height possible, or refer to page 9 for ceiling installation.



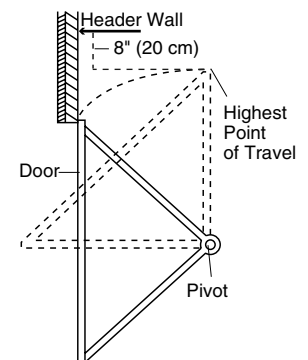
Sectional door with curved track



One-piece door with horizontal track



One-piece door without track: jamb hardware



One-piece door without track: pivot hardware



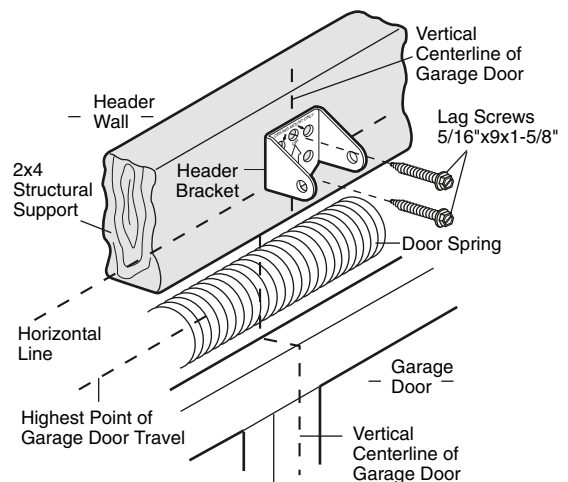
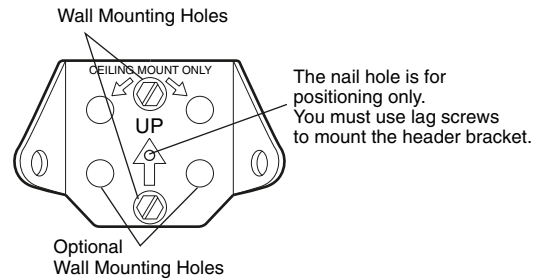
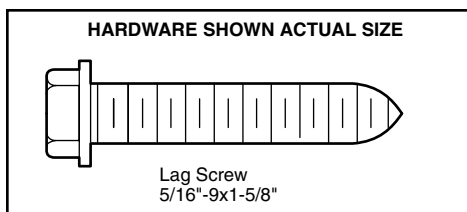
## INSTALLATION STEP 2

### Install the Header Bracket

You can attach the header bracket either to the wall above the garage door, or to the ceiling. Follow the instructions which will work best for your particular requirements. **Do not install the header bracket over drywall. If installing into masonry, use concrete anchors (not provided).**

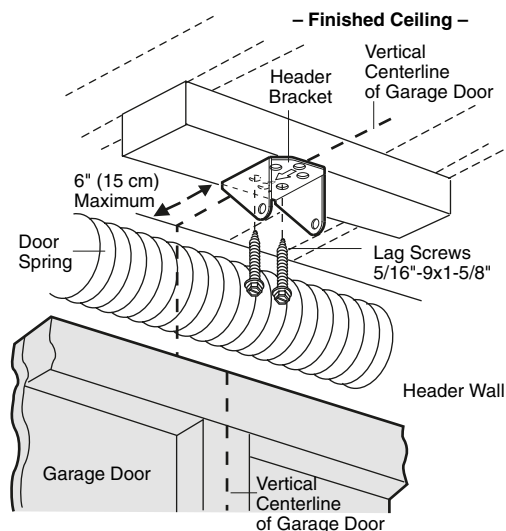
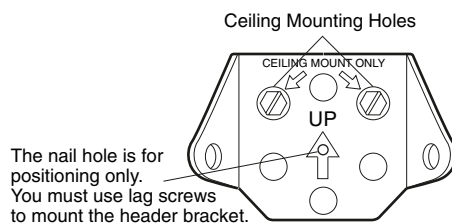
#### WALL HEADER BRACKET INSTALLATION

- Center the bracket on the vertical centerline with the bottom edge of the bracket on the horizontal line as shown (with the arrow pointing toward the ceiling).
- Mark the vertical set of bracket holes (do not use the holes designated for ceiling mount). Drill  $3/16"$  pilot holes and fasten the bracket securely to a structural support with the hardware provided.



#### CEILING HEADER BRACKET INSTALLATION

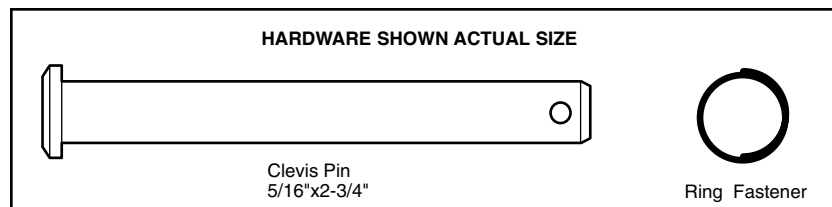
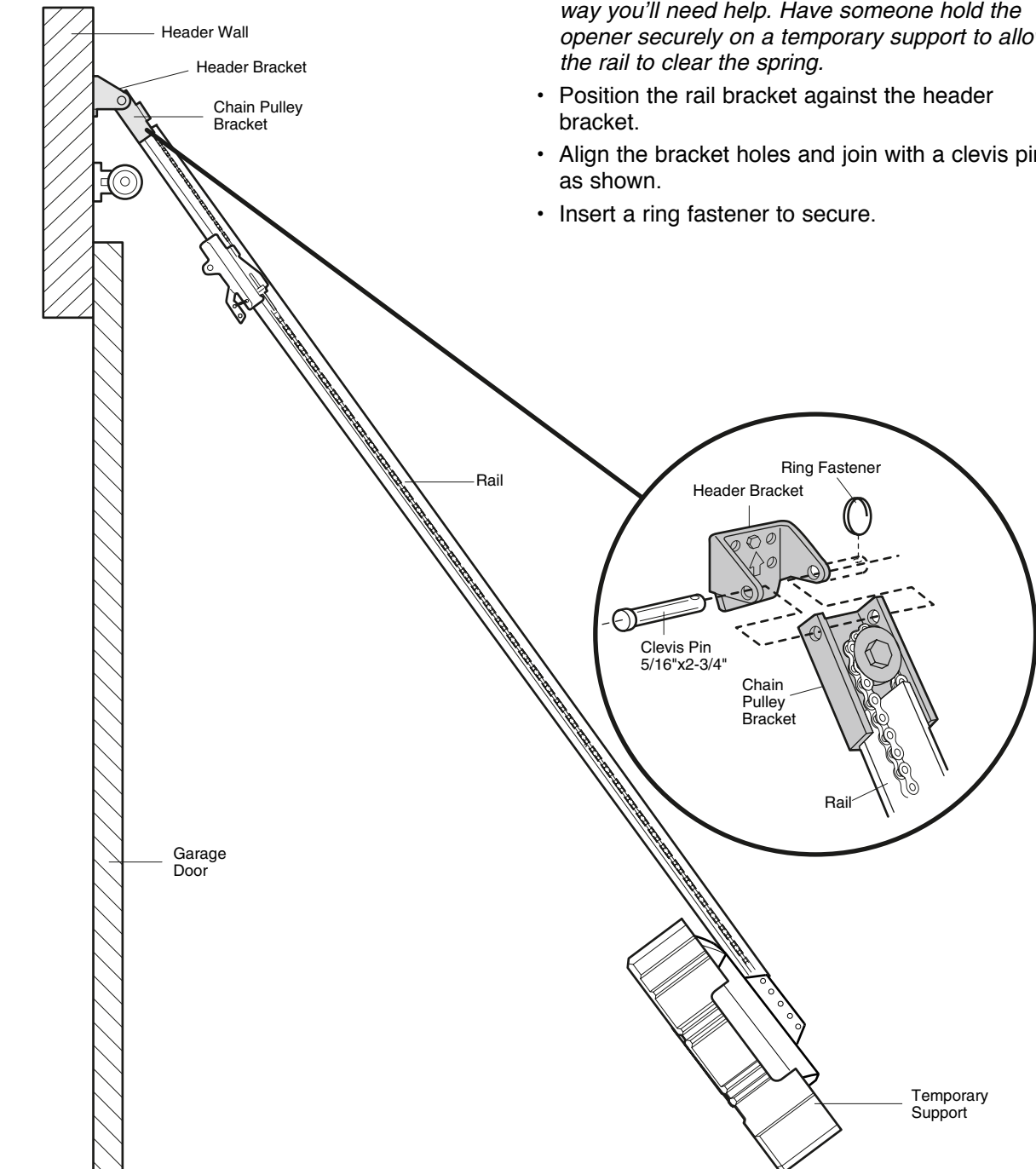
- Extend the vertical centerline onto the ceiling as shown.
- Center the bracket on the vertical mark, no more than 6" (15 cm) from the wall. Make sure the arrow is pointing toward the wall. The bracket can be mounted flush against the ceiling when clearance is minimal.
- Mark the side holes. Drill  $3/16"$  pilot holes and fasten bracket securely to a structural support with the hardware provided.



## INSTALLATION STEP 3

### Attach the Rail to the Header Bracket

- Position the opener on the garage floor below the header bracket. Use packing material as a protective base. **NOTE: If the door spring is in the way you'll need help. Have someone hold the opener securely on a temporary support to allow the rail to clear the spring.**
- Position the rail bracket against the header bracket.
- Align the bracket holes and join with a clevis pin as shown.
- Insert a ring fastener to secure.



## INSTALLATION STEP 4

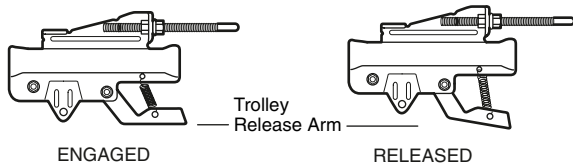
### Position the Opener

Follow instructions which apply to your door type as illustrated.

#### SECTIONAL DOOR OR ONE-PIECE DOOR WITH TRACK

A 2x4 laid flat is convenient for setting an ideal door-to-rail distance.

- Remove foam packaging.
- Raise the opener onto a stepladder. You will need help at this point if the ladder is not tall enough.
- Open the door all the way and place a 2x4 laid flat on the top section beneath the rail.
- If the top section or panel hits the trolley when you raise the door, pull down on the trolley release arm to disconnect inner and outer sections. Slide the outer trolley toward the motor unit. The trolley can remain disconnected until Installation Step 12 is completed.



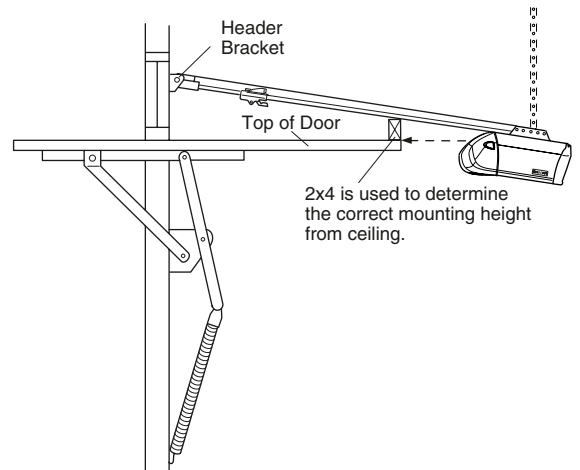
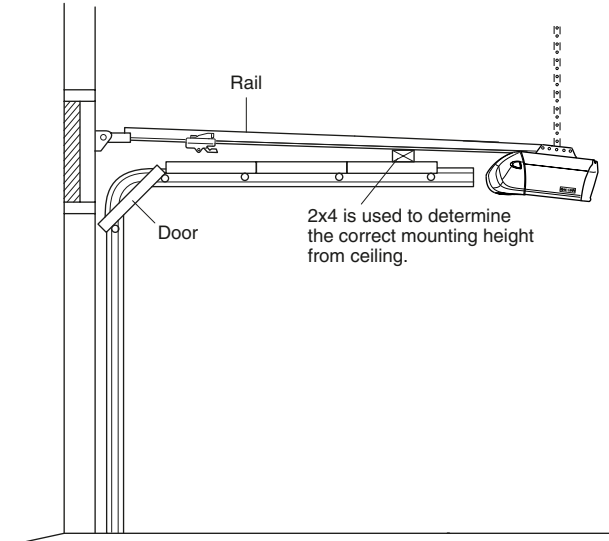
#### ONE-PIECE DOOR WITHOUT TRACK

A 2x4 on its side is convenient for setting an ideal door-to-rail distance.

- Remove foam packaging.
- Raise the opener onto a stepladder. You will need help at this point if the ladder is not tall enough.
- Open the door all the way and place a 2x4 on its side on the top section of the door beneath the rail.
- The top of the door should be level with the top of the motor unit. Do not position the opener more than 4" (10 cm) above this point.

## CAUTION

To prevent damage to garage door, rest garage door opener rail on 2x4 placed on top section of door.



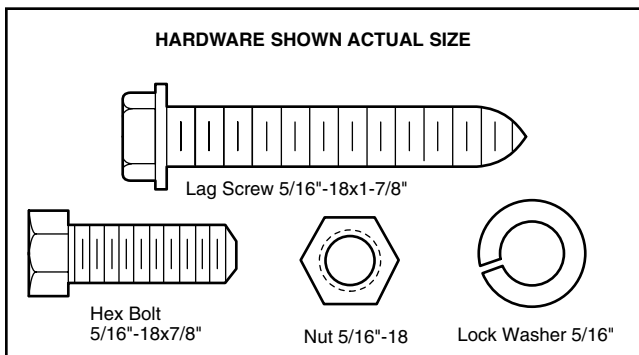
## INSTALLATION STEP 5

### Hang the Opener

Three representative installations are shown. Yours may be different. Hanging brackets should be angled (Figure 1) to provide rigid support. On finished ceilings (Figure 2 and Figure 3), attach a sturdy metal bracket to structural supports before installing the opener. This bracket and fastening hardware are not provided.

1. Measure the distance from each side of the motor unit to the structural support.
2. Cut both pieces of the hanging bracket to required lengths.
3. Drill  $3/16$ " pilot holes in the structural supports.
4. Attach one end of each bracket to a support with  $5/16$ "- $18 \times 1-7/8$ " lag screws.
5. Fasten the opener to the hanging brackets with  $5/16$ "- $18 \times 7/8$ " hex bolts, lock washers and nuts.
6. Check to make sure the rail is centered over the door (or in line with the header bracket if the bracket is not centered above the door).
7. Remove the 2x4. Operate the door manually. If the door hits the rail, raise the header bracket.
8. Grease the top and underside of the rail surface where the trolley slides with rail grease.

**NOTE:** DO NOT connect power to opener at this time.



## ⚠ WARNING

To avoid possible **SERIOUS INJURY** from a falling garage door opener, fasten it **SECURELY** to structural supports of the garage. Concrete anchors **MUST** be used if installing any brackets into masonry.

Figure 1

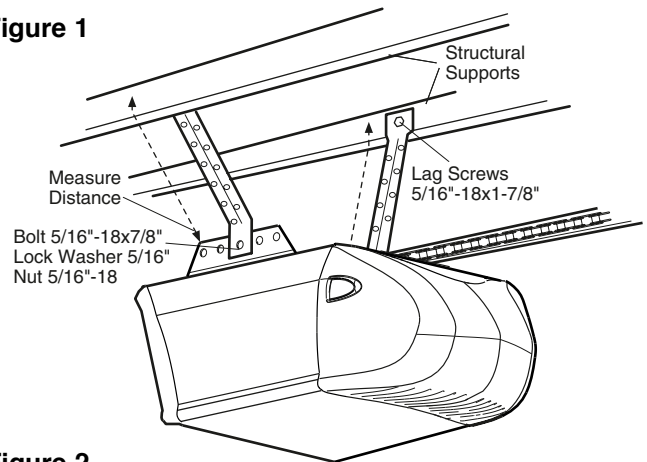


Figure 2

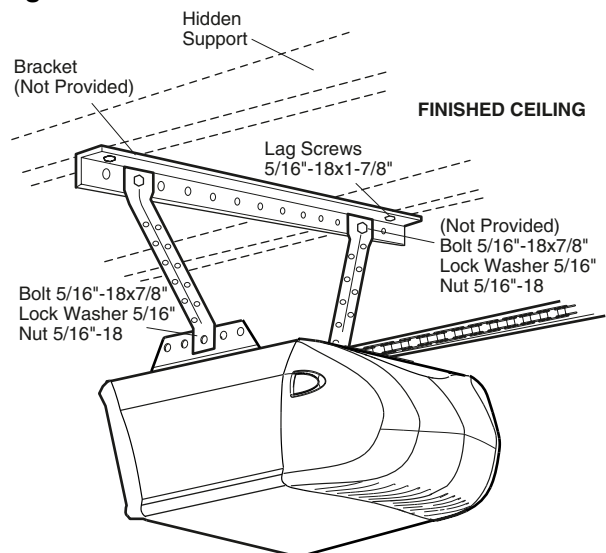
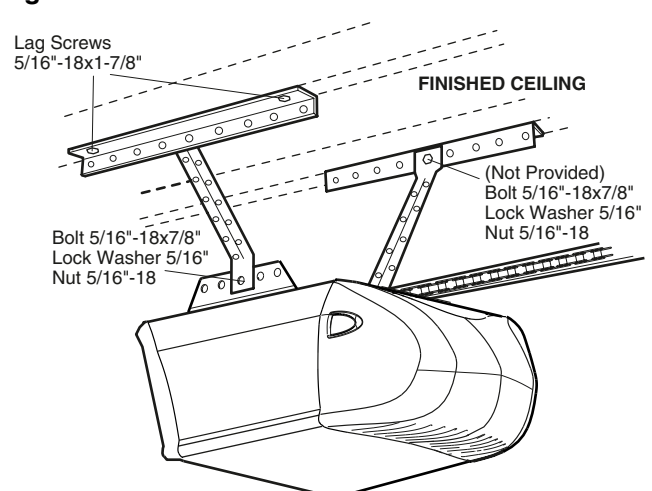


Figure 3



## INSTALLATION STEP 6

### Install the Door Control

Locate door control within sight of door at a minimum height of 5 feet (1.5 m) where small children cannot reach, and away from moving parts of door and door hardware. The installation surface must be smooth and flat. If installing into drywall (Figure 1), drill 5/32" holes and use anchors provided. For pre-wired installations (as in new home construction), it may be mounted to a single gang box (Figure 2).

**NOTE:** After installation, a green or amber indicator light behind the cover will indicate proper connection. If not lit, the Lock and Light features will not function (reverse wires to correct).

1. Strip 7/16" (11 mm) of insulation from one end of bell wire and connect to the two screw terminals on back of door control by color: white wire to WHT and white/red wire to the RED (Figure 3).
2. Remove white cover by gently prying at slot in the top of the cover with a small flat head screwdriver (Figure 4). Fasten with 6ABx1-1/4" self-tapping screws (drywall installation) or 6-32x1" machine screws (into gang box) as follows:

- Drill and install bottom screw, allowing 1/8" (3 mm) to protrude above wall surface.
- Position bottom of door control on screw head and slide down to secure. Adjust screw for snug fit.
- Install top screw with care to avoid cracking plastic housing. **Do not overtighten.**
- Insert bottom tabs and snap on cover.

**NOTE:** The push bar may stick if the door control is not mounted on a smooth surface. If a click is not heard when pressing the push bar, loosen the two mounting screws or relocate the door control to a smoother surface.

3. (**Standard installation only**) Run bell wire up wall and across ceiling to motor unit. Use insulated staples to secure wire in several places. Do not pierce wire with a staple, creating a short or open circuit.
4. Strip 7/16" (11 mm) of insulation from end of bell wire. Connect bell wire to the quick-connect terminals as follows: white to white and white/red to red (Figure 5).

**NOTE:** When connecting multiple door controls to the opener, twist same color wires together. Insert wires into quick-connect holes: white to white and red/white to red.

5. Use tacks or staples to permanently attach entrapment warning label to wall near door control, and manual release/safety reverse test label in a prominent location on inside of garage door.

**NOTE:** DO NOT connect power and operate opener at this time. The trolley will travel to the full open position but will not return to the close position until the sensor beam is connected and properly aligned.

## ⚠️ WARNING

To prevent possible SERIOUS INJURY or DEATH from electrocution:

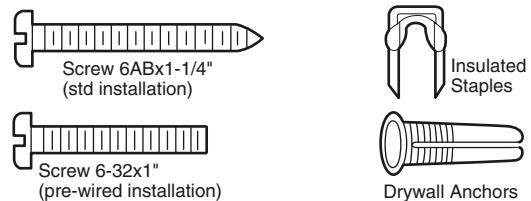
- Be sure power is not connected BEFORE installing door control.

- Connect ONLY to 24 VOLT low voltage wires.

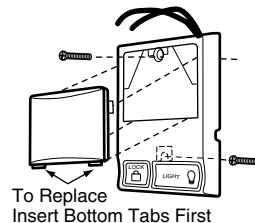
To prevent possible SERIOUS INJURY or DEATH from a closing garage door:

- Install door control within sight of garage door, out of reach of children at a minimum height of 5 feet (1.5 m), and away from all moving parts of door.
- NEVER permit children to operate or play with door control push buttons or remote control transmitters.
- Activate door ONLY when it can be seen clearly, is properly adjusted, and there are no obstructions to door travel.
- ALWAYS keep garage door in sight until completely closed. NEVER permit anyone to cross path of closing garage door.

### HARDWARE SHOWN ACTUAL SIZE

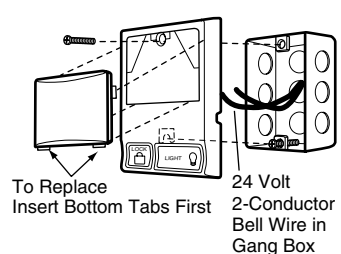


**Figure 1** STANDARD INSTALLATION



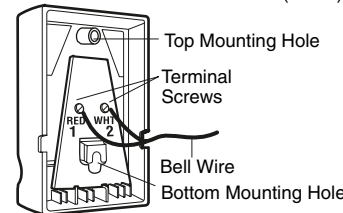
To Replace  
Insert Bottom Tabs First

**Figure 2** PRE-WIRED INSTALLATION

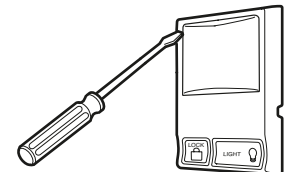


To Replace  
Insert Bottom Tabs First  
24 Volt  
2-Conductor  
Bell Wire in  
Gang Box

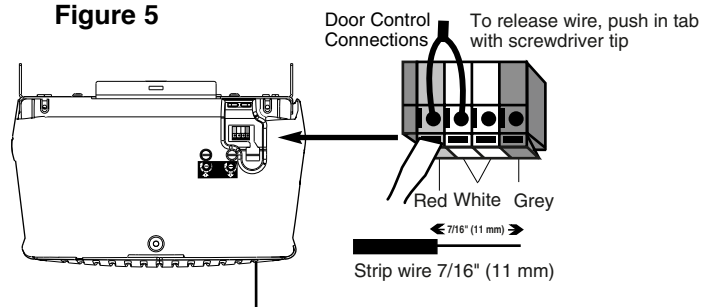
**Figure 3** MULTI-FUNCTION DOOR CONTROL (BACK)



**Figure 4** REMOVE COVER



**Figure 5**



## INSTALLATION STEP 7

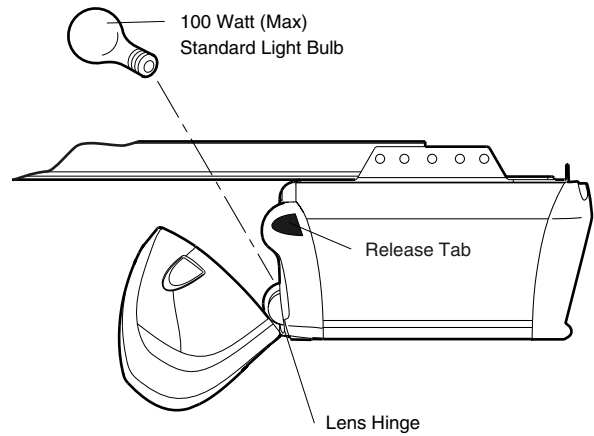
### Install the Light

- Press the release tabs on both sides of lens. Gently rotate lens back and downward until the lens hinge is in the fully open position. Do not remove the lens.
- Install up to a 100 watt maximum light bulb in each socket. The light will turn ON and remain lit for approximately 4-1/2 minutes when power is connected. Then the lights will turn OFF.
- Reverse the procedure to close the lens.
- If the bulbs burn out prematurely due to vibration, replace with a Garage Door Opener bulb.

**NOTE:** Use only standard light bulbs. The use of short neck or speciality light bulbs may overheat the endpanel or light socket.

## CAUTION

- To prevent possible OVERHEATING of the endpanel or light socket,
- DO NOT use short neck or specialty light bulbs.
  - DO NOT use halogen bulbs. Use ONLY incandescent.



## INSTALLATION STEP 8

### Attach the Emergency Release Rope and Handle

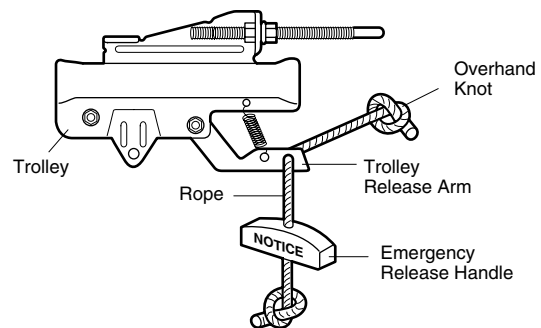
- Thread one end of the rope through the hole in the top of the red handle so "NOTICE" reads right side up as shown. Secure with an overhand knot at least 1" (2.5 cm) from the end of the rope to prevent slipping.
- Thread the other end of the rope through the hole in the release arm of the outer trolley.
- Adjust rope length so the handle is 6 feet (1.83 m) above the floor. Ensure that the rope and handle clear the tops of all vehicles to avoid entanglement. Secure with an overhand knot.

**NOTE:** If it is necessary to cut the rope, heat seal the cut end with a match or lighter to prevent unraveling.

## WARNING

To prevent possible SERIOUS INJURY or DEATH from a falling garage door:

- If possible, use emergency release handle to disengage trolley ONLY when garage door is CLOSED. Weak or broken springs or unbalanced door could result in an open door falling rapidly and/or unexpectedly.
- NEVER use emergency release handle unless garage doorway is clear of persons and obstructions.
- NEVER use handle to pull door open or closed. If rope knot becomes untied, you could fall.

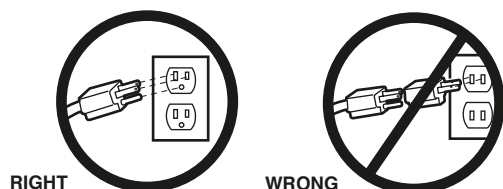


## INSTALLATION STEP 9

### Electrical Requirements

To avoid installation difficulties, do not run the opener at this time.

To reduce the risk of electric shock, your garage door opener has a grounding type plug with a third grounding pin. This plug will only fit into a grounding type outlet. If the plug doesn't fit into the outlet you have, contact a qualified electrician to install the proper outlet.



If permanent wiring is required by your local code, refer to the following procedure.

To make a permanent connection through the 7/8" hole in the top of the motor unit:

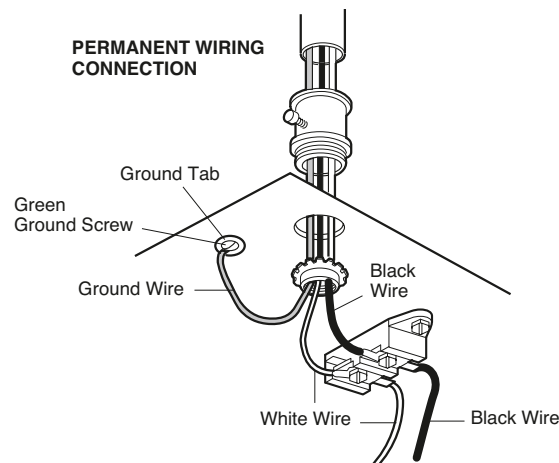
- Remove the motor unit cover screws and set the cover aside.
- Remove the attached 3-prong cord.
- Connect the black (line) wire to the screw on the brass terminal; the white (neutral) wire to the screw on the silver terminal; and the ground wire to the green ground screw. **The opener must be grounded.**
- Reinstall the cover.

To avoid installation difficulties, do not run the opener at this time.

## ⚠ WARNING

To prevent possible SERIOUS INJURY or DEATH from electrocution or fire:

- Be sure power is not connected to the opener, and disconnect power to circuit BEFORE removing cover to establish permanent wiring connection.
- Garage door installation and wiring MUST be in compliance with all local electrical and building codes.
- NEVER use an extension cord, 2-wire adapter, or change plug in ANY way to make it fit outlet. Be sure the opener is grounded.



## INSTALLATION STEP 10

### Install The Protector System®

The safety reversing sensor must be connected and aligned correctly before the garage door opener will move in the down direction.

#### IMPORTANT INFORMATION ABOUT THE SAFETY REVERSING SENSOR

When properly connected and aligned, the sensor will detect an obstacle in the path of its electronic beam. The sending eye (with an amber indicator light) transmits an invisible light beam to the receiving eye (with a green indicator light). If an obstruction breaks the light beam while the door is closing, the door will stop and reverse to full open position, and the opener lights will flash 10 times.

The units must be installed inside the garage so that the sending and receiving eyes face each other across the door, no more than 6" (15 cm) above the floor. Either can be installed on the left or right of the door as long as the sun never shines directly into the receiving eye lens.

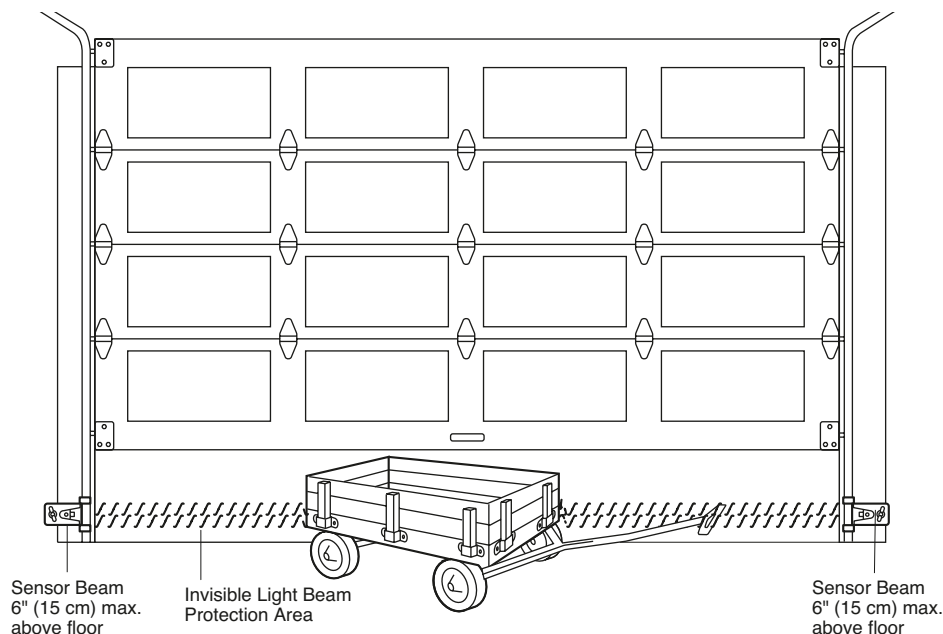
The mounting brackets are designed to clip onto the track of sectional garage doors without additional hardware.

## ⚠ WARNING

- Be sure power is not connected to the garage door opener BEFORE installing the safety reversing sensor.
- To prevent SERIOUS INJURY or DEATH from a closing garage door:
  - Correctly connect and align the safety reversing sensor. This required safety device MUST NOT be disabled.
  - Install the safety reversing sensor so beam is NO HIGHER than 6" (15 cm) above garage floor.

If it is necessary to mount the units on the wall, the brackets must be securely fastened to a solid surface such as the wall framing. Extension brackets (see accessories) are available if needed. If installing in masonry construction, add a piece of wood at each location to avoid drilling extra holes in masonry if repositioning is necessary.

The invisible light beam path must be unobstructed. No part of the garage door (or door tracks, springs, hinges, rollers or other hardware) may interrupt the beam while the door is closing.



Facing the door from inside the garage



## INSTALLING THE BRACKETS

**Be sure power to the opener is disconnected.**

Install and align the brackets so the sensors will face each other across the garage door, with the beam no higher than 6" (15 cm) above the floor. They may be installed in one of three ways, as follows.

### Garage door track installation (preferred):

- Slip the curved arms over the rounded edge of each door track, with the curved arms facing the door. Snap into place against the side of the track. It should lie flush, with the lip hugging the back edge of the track, as shown in Figure 1.

If your door track will not support the bracket securely, wall installation is recommended.

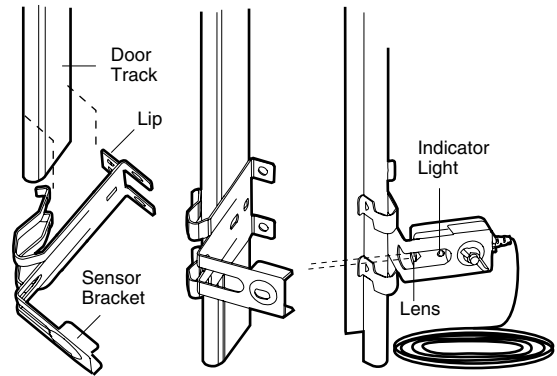
### Wall installation (Figure 2 & 3):

- Place the bracket against the wall with curved arms facing the door. Be sure there is enough clearance for the sensor beam to be unobstructed.
- If additional depth is needed, an extension bracket (See accessories) or wood blocks can be used.
- Use bracket mounting holes as a template to locate and drill (2) 3/16" diameter pilot holes on the wall at each side of the door, no higher than 6" (15 cm) above the floor.
- Attach brackets to wall with lag screws (Not provided).
- If using extension brackets or wood blocks, adjust right and left assemblies to the same distance out from the mounting surface. Make sure all door hardware obstructions are cleared.

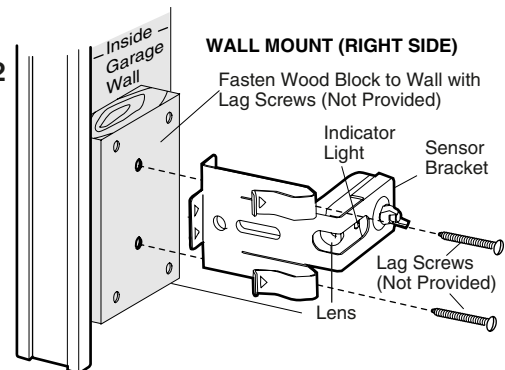
### Floor installation (Figure 4):

- Use wood blocks or extension brackets (see accessories) to elevate sensor brackets so the lenses will be no higher than 6" (15 cm) above the floor.
- Carefully measure and place right and left assemblies at the same distance out from the wall. Be sure all door hardware obstructions are cleared.
- Fasten to the floor with concrete anchors as shown.

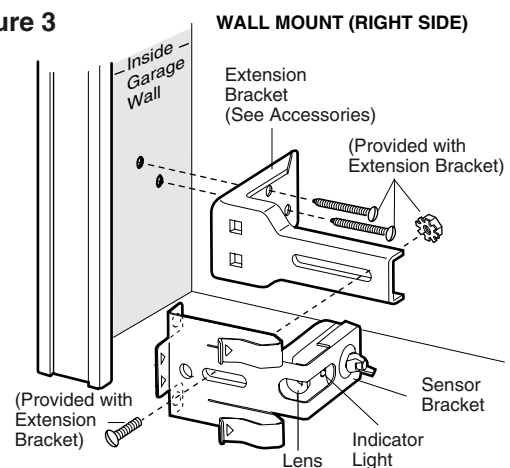
**Figure 1 DOOR TRACK MOUNT (RIGHT SIDE)**



**Figure 2**

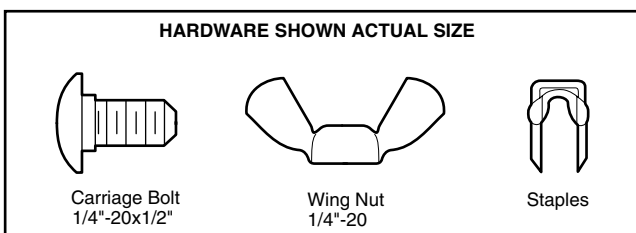
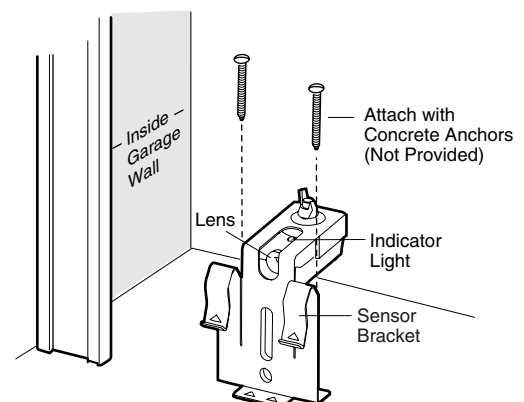


**Figure 3**



**Figure 4**

**FLOOR MOUNT (RIGHT SIDE)**



## MOUNTING AND WIRING THE SAFETY SENSORS

- Slide a 1/4"-20x1/2" carriage bolt head into the slot on each sensor. Use wing nuts to fasten sensors to brackets, with lenses pointing toward each other across the door. Be sure the lens is not obstructed by a bracket extension (Figure 5).
- Finger tighten the wing nuts.
- Run the wires from both sensors to the opener. Use insulated staples to secure wire to wall and ceiling.
- Strip 7/16" (11 mm) of insulation from each set of wires. Separate white and white/black wires sufficiently to connect to the opener quick-connect terminals. Twist like colored wires together. Insert wires into quick-connect holes: white to white and white/black to grey (Figure 6).

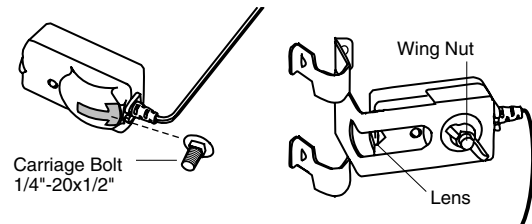
## ALIGNING THE SAFETY SENSORS

- Plug in the opener. The indicator lights in both the *sending* and *receiving eyes* will *glow steadily* if wiring connections and alignment are correct.

The *sending eye* amber indicator light will glow regardless of alignment or obstruction. If the green indicator light in the *receiving eye* is off, dim, or flickering (and the invisible light beam path is not obstructed), alignment is required.

- Loosen the *sending eye* wing nut and readjust, aiming directly at the receiving eye. Lock in place.
- Loosen the *receiving eye* wing nut and adjust sensor until it receives the sender's beam. When the green indicator light *glows steadily*, tighten the wing nut.

Figure 5

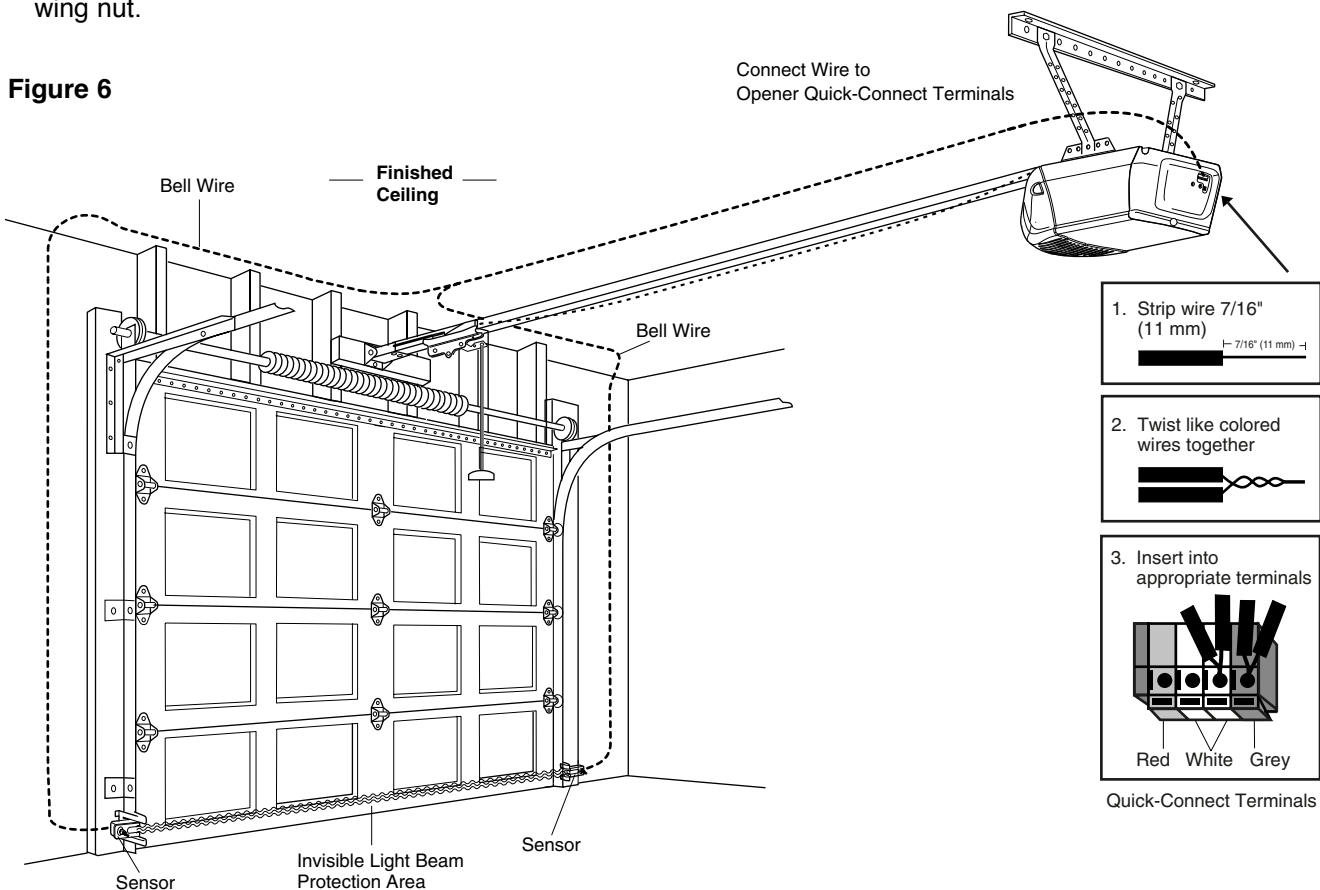


## TROUBLESHOOTING THE SAFETY SENSORS

1. If the *sending eye* indicator light does not *glow steadily* after installation, check for:
  - Electric power to the opener.
  - A short in the white or white/black wires. These can occur at staples, or at opener connections.
  - Incorrect wiring between sensors and opener.
  - A broken wire.
2. If the *sending eye* indicator light *glows* steadily but the *receiving eye* indicator light doesn't:
  - Check alignment.
  - Check for an open wire to the receiving eye.
3. If the *receiving eye* indicator light is dim, realign either sensor.

**NOTE:** When the invisible beam path is obstructed or misaligned while the door is closing, the door will reverse. If the door is already open, it will not close. The opener lights will blink 10 times. See page 16.

Figure 6



## INSTALLATION STEP 11

### Fasten the Door Bracket

Follow instructions which apply to your door type as illustrated below or on the following page.

**A horizontal reinforcement brace should be long enough to be secured to two or three vertical supports. A vertical reinforcement brace should cover the height of the top panel.**

Figure 1 shows one piece of angle iron as the horizontal brace. For the vertical brace, 2 pieces of angle iron are used to create a U-shaped support. The best solution is to check with your garage door manufacturer for an opener installation door reinforcement kit.

**NOTE:** Many door reinforcement kits provide for direct attachment of the clevis pin and door arm. In this case you will not need the door bracket; proceed to Step 12.

### SECTIONAL DOORS

1. Center the door bracket on the previously marked vertical centerline used for the header bracket installation. Note correct UP placement, as stamped inside the bracket.
2. Position the top edge of the bracket 2"-4" (5-10 cm) below the top edge of the door, OR directly below any structural support across the top of the door.
3. Mark, drill holes and install as follows, depending on your door's construction:

**Metal or light weight doors using a vertical angle iron brace between the door panel support and the door bracket:**

- Drill 3/16" fastening holes. Secure the door bracket using the two 1/4"-14x5/8" self-threading screws. (Figure 2A)
- Alternately, use two 5/16" bolts, lock washers and nuts (not provided). (Figure 2B)

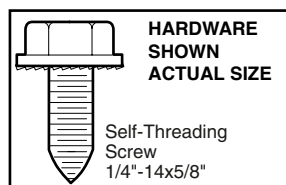
**Metal, insulated or light weight factory reinforced doors:**

- Drill 3/16" fastening holes. Secure the door bracket using the self-threading screws. (Figure 3)

**Wood Doors:**

- Use top and bottom or side to side door bracket holes. Drill 5/16" holes through the door and secure bracket with 5/16"x2" carriage bolts, lock washers and nuts (not provided). (Figure 4)

**NOTE:** The 1/4"-14x5/8" self-threading screws are not intended for use on wood doors.



## CAUTION

Fiberglass, aluminum or lightweight steel garage doors **WILL REQUIRE** reinforcement **BEFORE** installation of door bracket. Contact your door manufacturer for reinforcement kit.

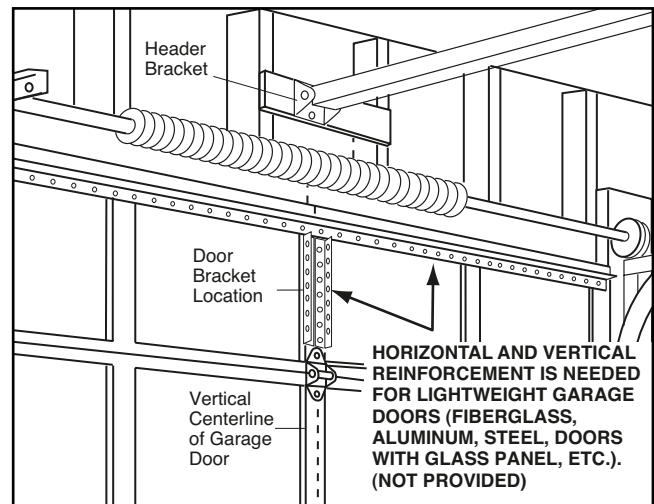


Figure 1

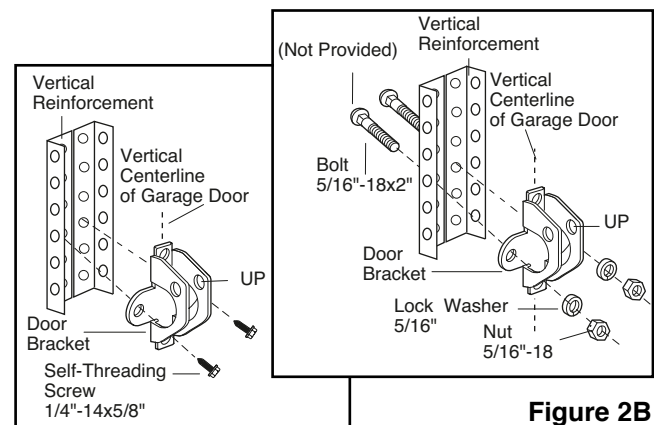


Figure 2A

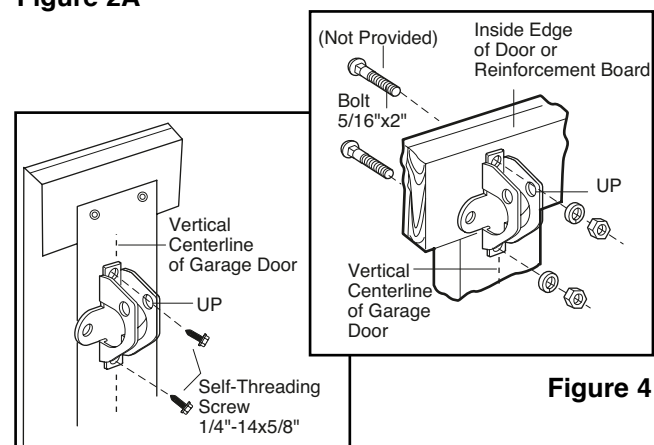


Figure 3

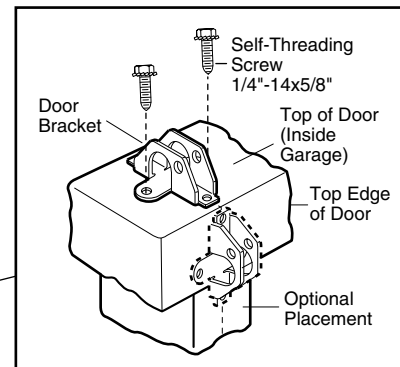
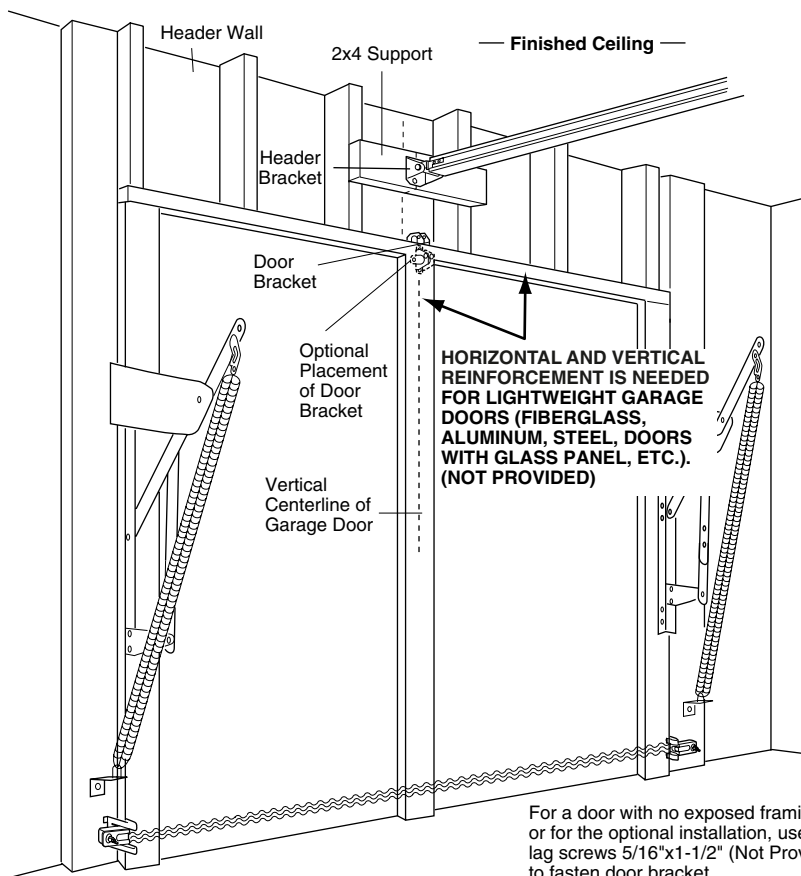
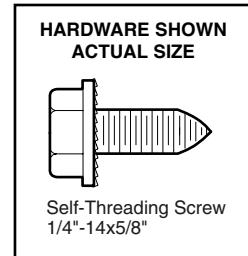
Figure 4

## ONE-PIECE DOORS

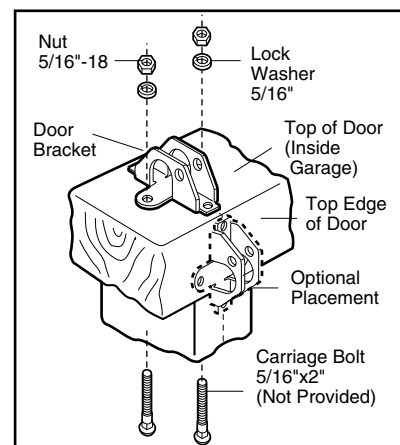
Please read and comply with the warnings and reinforcement instructions on the previous page. They apply to one-piece doors also.

- Center the door bracket on the top of the door, in line with the header bracket as shown. Mark either the left and right, or the top and bottom holes.
- **Metal Doors:** Drill 3/16" pilot holes and fasten the bracket with the 1/4"-14x5/8" self-threading screws provided.
- **Wood Doors:** Drill 5/16" holes and use 5/16"x2" carriage bolts, lock washers and nuts (not provided) or 5/16"x1-1/2" lag screws (not provided) depending on your installation needs.

**NOTE:** The door bracket may be installed on the top edge of the door if required for your installation. (Refer to the dotted line optional placement drawing.)



**METAL DOOR**



**WOOD DOOR**

## INSTALLATION STEP 12

### Connect Door Arm to Trolley

Follow instructions which apply to your door type as illustrated below and on the following page.

#### SECTIONAL DOORS ONLY

- Make sure garage door is fully closed. Pull the emergency release handle to disconnect the outer trolley from the inner trolley. Slide the outer trolley back (away from the door) about 2" (5 cm) as shown in Figures 1, 2 and 3.
- **Figure 1:**
  - Fasten straight door arm section to outer trolley with the 5/16"x1" clevis pin. Secure the connection with a ring fastener.
  - Fasten curved section to the door bracket in the same way, using the 5/16"x1-1/4" clevis pin.
- **Figure 2:**
  - Bring arm sections together. Find two pairs of holes that line up and join sections. Select holes as far apart as possible to increase door arm rigidity.
- **Figure 3, Hole alignment alternative:**
  - If holes in curved arm are above holes in straight arm, disconnect straight arm. Cut about 6" (15 cm) from the solid end. Reconnect to trolley with cut end down as shown.
  - Bring arm sections together.
  - Find two pairs of holes that line up and join with bolts, lock washers and nuts.
- Pull the emergency release handle toward the opener at a 45° angle so that the trolley release arm is horizontal. Proceed to Adjustment Step 1, page 23. Trolley will re-engage automatically when opener is operated.

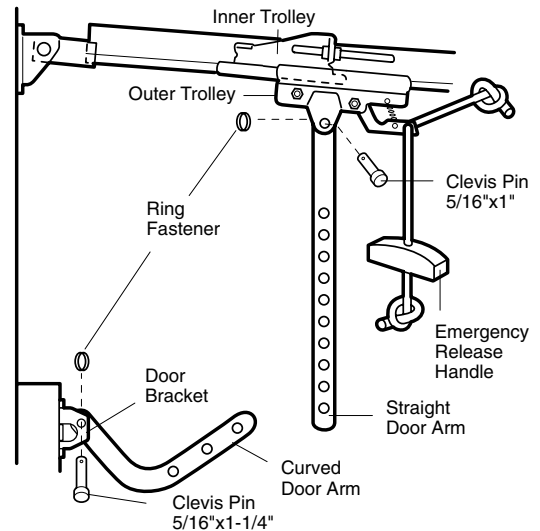


Figure 1

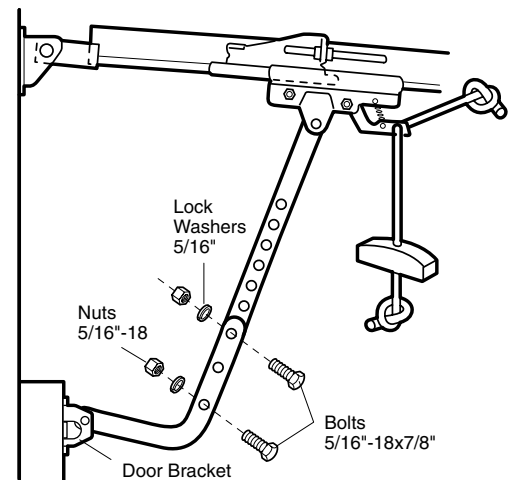


Figure 2

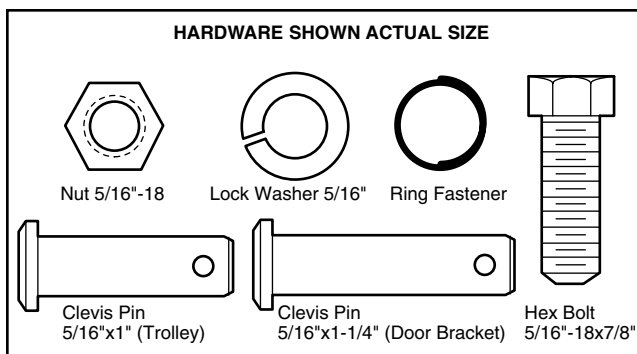


Figure 3



## ALL ONE-PIECE DOORS

### 1. Assemble the door arm, Figure 4:

- Fasten the straight and curved door arm sections together to the longest possible length (with a 2 or 3 hole overlap).
- With the door closed, connect the straight door arm section to the door bracket with the 5/16"x1-1/4" clevis pin.
- Secure with a ring fastener.

### 2. Adjustment procedures, Figure 5:

- On one-piece doors, before connecting the door arm to the trolley, the travel limits must be adjusted. Limit adjustment screws are located on the left side panel as shown on page 23. Follow adjustment procedures below.
- **Open door adjustment: decrease UP travel limit**
  - Turn the UP limit adjustment screw counter-clockwise 4 turns.
  - Press the Door Control push button. The trolley will travel to the fully open position.
  - Manually raise the door to the open position (parallel to the floor), and lift the door arm to the trolley. The arm should touch the trolley just in back of the door arm connector hole. Refer to the fully open trolley/door arm positions in the illustration. If the arm does not extend far enough, adjust the limit further. One full turn equals 2" (5 cm) of trolley travel.
- **Closed door adjustment: decrease DOWN travel limit**
  - Turn the DOWN limit adjustment screw clockwise 4 complete turns.

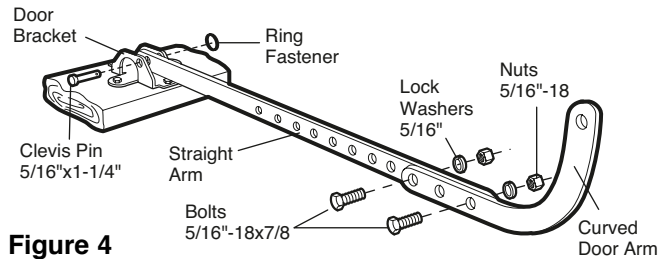


Figure 4

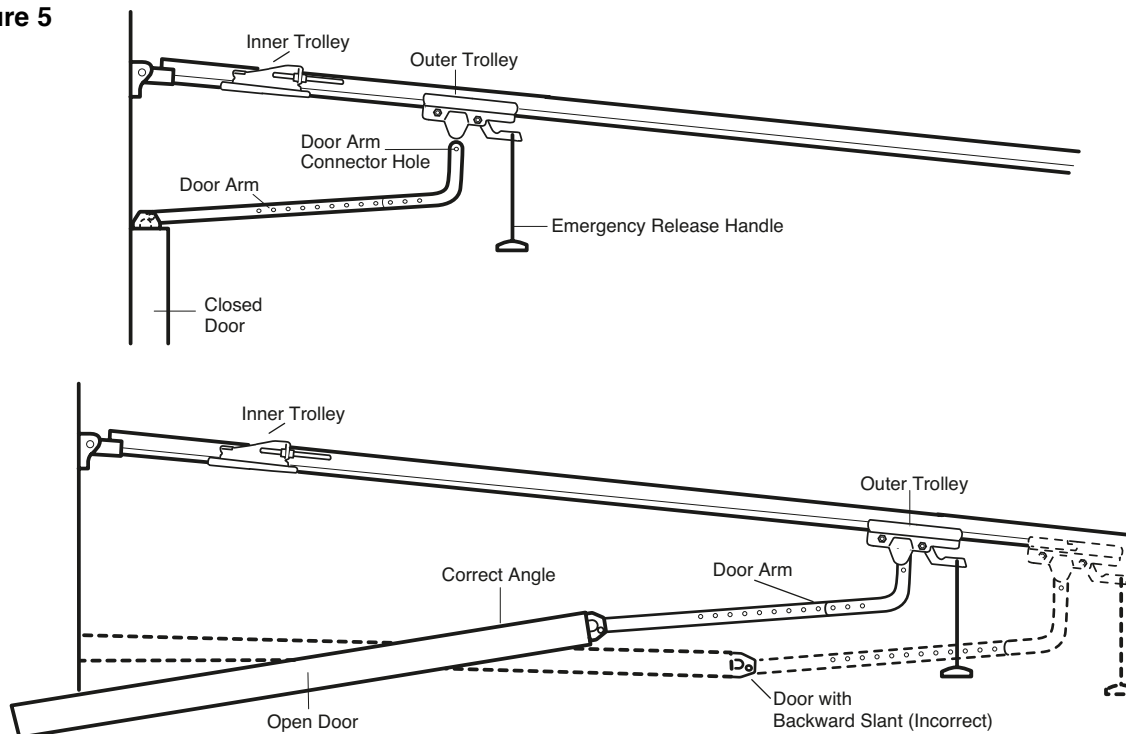
- Press the Door Control push button. The trolley will travel to the fully closed position.
- Manually close the door and lift the door arm to the trolley. The arm should touch the trolley just ahead of the door arm connector hole. Refer to the fully closed trolley/door arm positions in the illustration. If the arm is behind the connector hole, adjust the limit further. One full turn equals 2" (5 cm) of trolley travel.

### 3. Connect the door arm to the trolley:

- Close the door and join the curved arm to the connector hole in the trolley with the remaining clevis pin. It may be necessary to lift the door slightly to make the connection.
- Secure with a ring fastener.
- Run the opener through a complete travel cycle. If the door has a slight "backward" slant in full open position as shown in the illustration, decrease the UP limit until the door is parallel to the floor.

**NOTE:** When setting the up limit on the following page, the door should not have a "backward" slant when fully open as illustrated below. A slight backward slant will cause unnecessary bucking and/or jerking operation as the door is being opened or closed from the fully open position.

Figure 5



## ADJUSTMENT STEP 1

### Adjust the UP and DOWN Travel Limits

Limit adjustment settings regulate the points at which the door will stop when moving up or down.

To operate the opener, press the Door Control push bar. Run the opener through a complete travel cycle.

- Does the door open and close completely?
- Does the door stay closed and not reverse unintentionally when fully closed?

If your door passes both of these tests, no limit adjustments are necessary unless the reversing test fails (Adjustment Step 3, page 25).

Adjustment procedures are outlined below. Read the procedures carefully before proceeding to Adjustment Step 2. Use a screwdriver to make limit adjustments. **Run the opener through a complete travel cycle after each adjustment.**

**NOTE:** Repeated operation of the opener during adjustment procedures may cause the motor to overheat and shut off. Simply wait 15 minutes and try again.

**NOTE:** If anything interferes with the door's upward travel, it will stop. If anything interferes with the door's downward travel (including binding or unbalanced doors), it will reverse.

#### HOW AND WHEN TO ADJUST THE LIMITS

- **If the door does not open completely but opens at least five feet (1.5 m):**

Increase up travel. Turn the UP limit adjustment screw clockwise. One turn equals 2" (5 cm) of travel.

**NOTE:** To prevent the trolley from hitting the cover protection bolt, keep a minimum distance of 2-4" (5 cm - 10 cm) between the trolley and the bolt.

- **If door does not open at least 5 feet (1.5 m):**

Adjust the UP (open) force as explained in Adjustment Step 2.

- **If the door does not close completely:**

Increase down travel. Turn the down limit adjustment screw counterclockwise. One turn equals 2" (5 cm) of travel.

If door still won't close completely and the trolley bumps into the pulley bracket (page 4), try lengthening the door arm (page 21) and decreasing the down limit.

- **If the opener reverses in fully closed position:**

Decrease down travel. Turn the down limit adjustment screw clockwise. One turn equals 2" (5 cm) of travel.

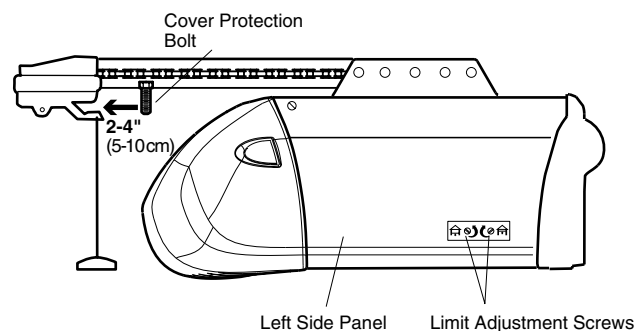
## WARNING

Without a properly installed safety reversal system, persons (particularly small children) could be SERIOUSLY INJURED or KILLED by a closing garage door.

- Incorrect adjustment of garage door travel limits will interfere with proper operation of safety reversal system.
- If one control (force or travel limits) is adjusted, the other control may also need adjustment.
- After ANY adjustments are made, the safety reversal system MUST be tested. Door MUST reverse on contact with 1-1/2" high (3.8 cm) object (or 2x4 laid flat) on floor.

## CAUTION

To prevent damage to vehicles, be sure fully open door provides adequate clearance.



- **If the door reverses when closing and there is no visible interference to travel cycle:**

If the opener lights are flashing, the Safety Reversing Sensors are either not installed, misaligned, or obstructed. See Troubleshooting, page 18.

Test the door for binding: Pull the emergency release handle. Manually open and close the door. If the door is binding or unbalanced, call for a trained door systems technician. If the door is balanced and not binding, adjust the DOWN (close) force. See Adjustment Step 2.

## ADJUSTMENT STEP 2

### Adjust the Force

Force adjustment controls are located on the back panel of the motor unit. Force adjustment settings regulate the amount of power required to open and close the door.

If the forces are set too light, door travel may be interrupted by nuisance reversals in the down direction and stops in the up direction. Weather conditions can affect the door movement, so occasional adjustment may be needed.

**The maximum force adjustment range is about 3/4 of a complete turn. Do not force controls beyond that point.** Turn force adjustment controls with a screwdriver.

**NOTE:** If anything interferes with the door's upward travel, it will stop. If anything interferes with the door's downward travel (including binding or unbalanced doors), it will reverse.

### HOW AND WHEN TO ADJUST THE FORCES

#### 1. Test the DOWN (close) force

- Grasp the door bottom when the door is about halfway through DOWN (close) travel. The door should reverse. *Reversal halfway through down travel does not guarantee reversal on a 1-1/2" (3.8 cm) obstruction. See Adjustment Step 3, page 25. If the door is hard to hold or doesn't reverse, DECREASE the DOWN (close) force by turning the control counterclockwise.* Make small adjustments until the door reverses normally. After each adjustment, run the opener through a complete cycle.
- If the door reverses during the down (close) cycle and the opener lights aren't flashing, INCREASE DOWN (close) force by turning the control clockwise.** Make small adjustments until the door completes a close cycle. After each adjustment, run the opener through a complete travel cycle. *Do not increase the force beyond the minimum amount required to close the door.*

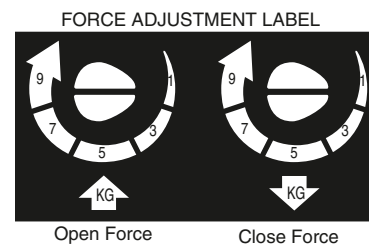
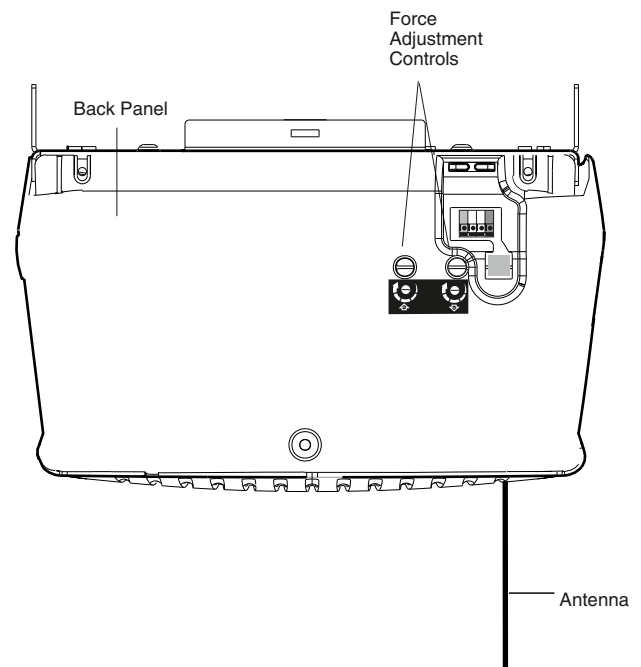
#### 2. Test the UP (open) force

- Grasp the door bottom when the door is about halfway through UP (open) travel. The door should stop. **If the door is hard to hold or doesn't stop, DECREASE UP (open) force by turning the control counterclockwise.** Make small adjustments until the door stops easily and opens fully. After each adjustment, run the opener through a complete travel cycle.
- If the door doesn't open at least 5 feet (1.5 m), INCREASE UP (open) force by turning the control clockwise.** Make small adjustments until door opens completely. Readjust the UP limit if necessary. After each adjustment, run the opener through a complete travel cycle.

## ⚠ WARNING

Without a properly installed safety reversal system, persons (particularly small children) could be **SERIOUSLY INJURED** or **KILLED** by a closing garage door.

- Too much force on garage door will interfere with proper operation of safety reversal system.
- NEVER** increase force beyond minimum amount required to close garage door.
- NEVER** use force adjustments to compensate for a binding or sticking garage door.
- If one control (force or travel limits) is adjusted, the other control may also need adjustment.
- After **ANY** adjustments are made, the safety reversal system **MUST** be tested. Door **MUST** reverse on contact with 1-1/2" high (3.8 cm) object (or 2x4 laid flat) on floor.





## ADJUSTMENT STEP 3

### Test the Safety Reversal System

#### TEST

- With the door fully open, place a 1-1/2" (3.8 cm) board (or a 2x4 laid flat) on the floor, centered under the garage door.
- Operate the door in the down direction. The door **must** reverse on striking the obstruction.

#### ADJUST

- If the door stops on the obstruction, it is not traveling far enough in the down direction. Increase the DOWN limit by turning the DOWN limit adjustment screw counterclockwise 1/4 turn.

**NOTE:** On a sectional door, make sure limit adjustments do not force the door arm beyond a straight up and down position. See the illustration on page 21.

- Repeat the test.
- When the door reverses on the 1-1/2" (3.8 cm) board, remove the obstruction and run the opener through 3 or 4 complete travel cycles to test adjustment.
- If the unit continues to fail the Safety Reverse Test, call for a trained door systems technician.

#### IMPORTANT SAFETY CHECK:

Test the Safety Reverse System after:

- Each adjustment of door arm length, limits, or force controls.
- Any repair to or adjustment of the garage door (including springs and hardware).
- Any repair to or buckling of the garage floor.
- Any repair to or adjustment of the opener.

## ADJUSTMENT STEP 4

### Test The Protector System®

- Press the remote control push button to open the door.
- Place the opener carton in the path of the door.
- Press the remote control push button to close the door. The door will not move more than an inch (2.5 cm), and the opener lights will flash.

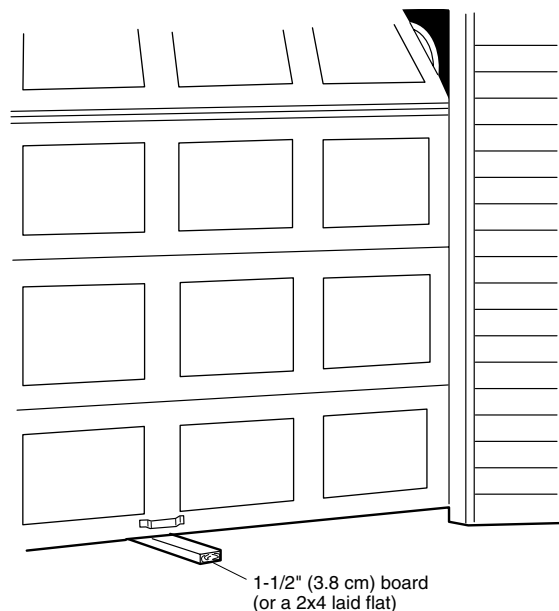
The garage door opener will not close from a remote if the indicator light in either sensor is off (alerting you to the fact that the sensor is misaligned or obstructed).

**If the opener closes the door when the safety reversing sensor is obstructed (and the sensors are no more than 6" (15 cm) above the floor), call for a trained door systems technician.**

## ⚠ WARNING

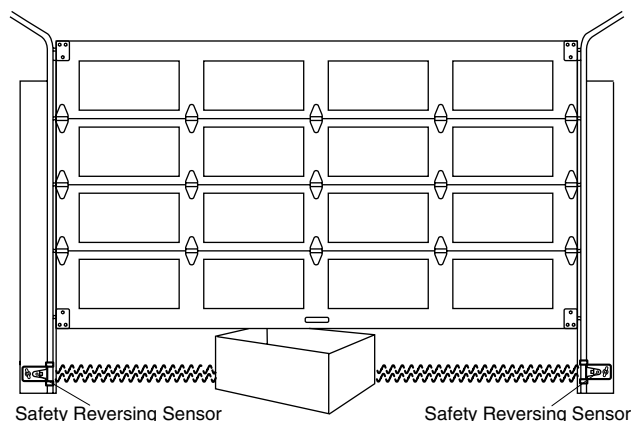
Without a properly installed safety reversal system, persons (particularly small children) could be **SERIOUSLY INJURED** or **KILLED** by a closing garage door.

- Safety reversal system **MUST** be tested every month.
- If one control (force or travel limits) is adjusted, the other control may also need adjustment.
- After **ANY** adjustments are made, the safety reversal system **MUST** be tested. Door **MUST** reverse on contact with 1-1/2" high (3.8 cm) object (or 2x4 laid flat) on the floor.



## ⚠ WARNING

Without a properly installed safety reversing sensor, persons (particularly small children) could be **SERIOUSLY INJURED** or **KILLED** by a closing garage door.



## OPERATION

# IMPORTANT SAFETY INSTRUCTIONS

## WARNING

### To reduce the risk of SEVERE INJURY or DEATH:

1. READ AND FOLLOW ALL WARNINGS AND INSTRUCTIONS.
2. ALWAYS keep remote controls out of reach of children. NEVER permit children to operate or play with garage door control push buttons or remote controls.
3. ONLY activate garage door when it can be seen clearly, it is properly adjusted, and there are no obstructions to door travel.
4. ALWAYS keep garage door in sight until completely closed. NO ONE SHOULD CROSS THE PATH OF THE MOVING DOOR.
5. NO ONE SHOULD GO UNDER A STOPPED, PARTIALLY OPEN DOOR.
6. If possible, use emergency release handle to disengage trolley ONLY when garage door is CLOSED. Weak or broken springs or unbalanced door could result in an open door falling rapidly and/or unexpectedly.
7. NEVER use emergency release handle unless garage doorway is clear of persons and obstructions.
8. NEVER use handle to pull garage door open or closed. If rope knot becomes untied, you could fall.
9. If one control (force or travel limits) is adjusted, the other control may also need adjustment.
10. After ANY adjustments are made, the safety reversal system MUST be tested.
11. Safety reversal system MUST be tested every month. Garage door MUST reverse on contact with 1-1/2" high (3.8 cm) high object (or a 2x4 laid flat) on the floor.
12. ALWAYS KEEP GARAGE DOOR PROPERLY BALANCED (see page 3). An improperly balanced door may not reverse when required and could result in SEVERE INJURY or DEATH.
13. All repairs to cables, spring assemblies and other hardware, all of which are under EXTREME tension, MUST be made by a trained door systems technician.
14. ALWAYS disconnect electric power to garage door opener BEFORE making any repairs or removing covers.
15. **SAVE THESE INSTRUCTIONS.**

### Using Your Garage Door Opener

Your Security+® opener and hand-held remote control have been factory-set to a matching code which changes with each use, randomly accessing over 100 billion new codes. Your opener will operate with up to eight Security+® remote controls and one Security+® Keyless Entry System. If you purchase a new remote, or if you wish to deactivate any remote, follow the instructions in the *Programming* section.

#### Activate your opener with any of the following:

- *The hand-held Remote Control:* Hold the large push button down until the door starts to move.
- *The wall-mounted Door Control:* Hold the push button or bar down until the door starts to move.
- *The Keyless Entry (See Accessories):* If provided with your garage door opener, it must be programmed before use. See *Programming*.

#### When the opener is activated (with the safety reversing sensor correctly installed and aligned)

1. If open, the door will close. If closed, it will open.
2. If closing, the door will reverse.
3. If opening, the door will stop.
4. If the door has been stopped in a partially open position, it will close.
5. If obstructed while closing, the door will reverse. If the obstruction interrupts the sensor beam, the opener lights will blink for five seconds.

6. If obstructed while opening, the door will stop.
7. If fully open, the door will not close when the beam is broken. The sensor has no effect in the opening cycle.

If the sensor is not installed, or is misaligned, the door won't close from a hand-held remote. However, you can close the door with the Door Control, the Outside Keylock, or Keyless Entry, *if you activate them until down travel is complete*. If you release them too soon, the door will reverse.

**The opener lights** will turn on under the following conditions: when the opener is initially plugged in; when power is restored after interruption; when the opener is activated.

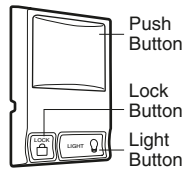
They will turn off automatically after 4-1/2 minutes or provide constant light when the Light feature on the Multi-Function Door Control is activated. Bulb size is 100 watts maximum.

**Security+® light feature:** Lights will also turn on when someone walks through the open garage door. With a Multi-Function Door Control, this feature may be turned off as follows: With the opener lights off, press and hold the light button for 10 seconds, until the light goes on, then off again. To restore this feature, start with the opener lights on, then press and hold the light button for 10 seconds until the light goes off, then on again.

## Using the Wall-Mounted Door Control

### THE MULTI-FUNCTION DOOR CONTROL

Press the push button to open or close the door. Press again to reverse the door during the closing cycle or to stop the door while it's opening.



#### Light feature

Press the Light button to turn the opener light on or off. It will not control the opener lights when the door is in motion. If you turn it on and then activate the opener, the light will remain on for 4-1/2 minutes. Press again to turn it off sooner. The 4-1/2 minute interval can be changed to 1-1/2, 2-1/2, or 3-1/2 minutes as follows: Press and hold the Lock button until the light blinks (about 10 seconds). A single blink indicates that the timer is reset to 1-1/2 minutes. Repeat the procedure and the light will blink twice, resetting the timer to 2-1/2 minutes. Repeat again for a 3-1/2 minute interval, etc., up to a maximum of four blinks and 4-1/2 minutes.

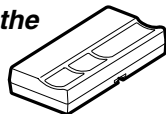
#### Lock feature

Designed to prevent operation of the door from hand-held remote controls. However, the door will open and close from the Door Control, the Outside Keylock and the Keyless Entry Accessories.

To activate, press and hold the Lock button for 2 seconds. The push bar light will flash as long as the Lock feature is on.

To turn off, press and hold the Lock button again for 2 seconds. The push bar light will stop flashing. The Lock feature will also turn off whenever the "learn" button on the motor unit panel is activated.

#### Additional features when used with the 3-Button hand-held remote



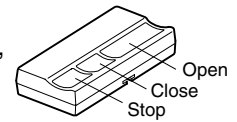
##### A) To control the opener lights:

In addition to operating the door, you may program the remote to operate the lights.

1. With the door closed, press and hold a small remote button that you want to control the light.
2. Press and hold the Light button on the Multi-Function door control.
3. While holding the Light button, press and hold the Lock button on the door control.
4. After the opener lights flash, release all buttons.

B) To operate one door using all three buttons on the hand-held remote:

You may program the remote to open the door with the large button, close it with the middle button, and stop the door's movement with the third button.



**NOTE:** If remote is already programmed, you must first erase all codes. See Programming.

1. With the door closed, press and hold the large remote push button.
2. Press and hold the Lock button on the door control.
3. Press and hold the door control push bar.
4. After the opener lights flash, release all buttons.

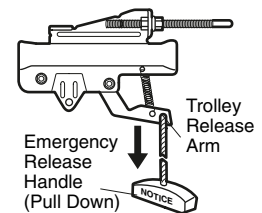
### To Open the Door Manually

#### ⚠ WARNING

To prevent possible SERIOUS INJURY or DEATH from a falling garage door:

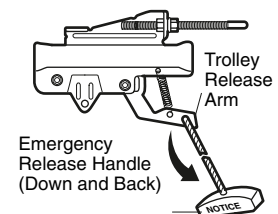
- If possible, use emergency release handle to disengage trolley ONLY when garage door is CLOSED. Weak or broken springs or unbalanced door could result in an open door falling rapidly and/or unexpectedly.
- NEVER use emergency release handle unless garage doorway is clear of persons and obstructions.
- NEVER use handle to pull door open or closed. If rope knot becomes untied, you could fall.

The door should be fully closed if possible. Pull down on the emergency release handle and lift the door manually. To reconnect the door to the opener, press the door control push bar.



MANUAL DISCONNECT POSITION

The *lockout feature* prevents the trolley from reconnecting automatically. Pull the emergency release handle down and back (toward the opener). The door can then be raised and lowered manually as often as necessary. To disengage the lockout feature, pull the handle straight down. The trolley will reconnect on the next UP or DOWN operation, either manually or by using the door control or remote.



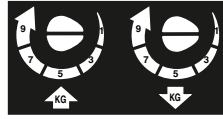
LOCKOUT POSITION

## CARE OF YOUR OPENER

### LIMIT AND FORCE ADJUSTMENTS:

Weather conditions may cause some minor changes in door operation requiring some re-adjustments, particularly during the first year of operation.

FORCE CONTROLS



Pages 23 and 24 refer to the limit and force adjustments. Only a screwdriver is required. Follow the instructions carefully.

LIMIT CONTROLS



**Repeat the safety reverse test (Adjustment Step 3, page 25) after any adjustment of limits or force.**

### MAINTENANCE SCHEDULE

#### Once a Month

- Manually operate door. If it is unbalanced or binding, call a trained door systems technician.
- Check to be sure door opens and closes fully. Adjust limits and/or force if necessary. (See pages 23 and 24.)
- Repeat the safety reverse test. Make any necessary adjustments. (See Adjustment Step 3.)

#### Twice a Year

- Check chain tension. Disconnect trolley first. Adjust if necessary (See page 7).

#### Once a Year

- Oil door rollers, bearings and hinges. The opener does not require additional lubrication. Do not grease the door tracks.

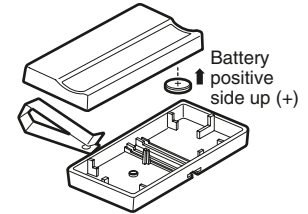
## THE REMOTE CONTROL BATTERY

### WARNING

To prevent possible **SERIOUS INJURY** or **DEATH**:

- NEVER allow small children near batteries.
- If battery is swallowed, immediately notify doctor.

The lithium battery should produce power for up to 5 years. To replace battery, use the visor clip or screwdriver blade to pry open the case as shown. Insert battery positive side up (+).



Dispose of old battery properly.

NOTICE: To comply with FCC and or Industry Canada (IC) rules, adjustment or modifications of this receiver and/or transmitter are prohibited, except for changing the code setting or replacing the battery. THERE ARE NO OTHER USER SERVICEABLE PARTS.

Tested to Comply with FCC Standards FOR HOME OR OFFICE USE. Operation is subject to the following two conditions: (1) this device may not cause harmful interference, and (2) this device must accept any interference received, including interference that may cause undesired operation.

## HAVING A PROBLEM?

**1. My door will not close and the light bulbs blink on my motor unit:** The safety reversing sensor must be connected and aligned correctly before the garage door opener will move in the down direction.

- Verify the safety sensors are properly installed, aligned and free of any obstructions. Refer to *Installation Step 10: Install The Protector System®*.
- Check diagnostic LED for flashes on the motor unit then refer to the *Diagnostic Chart* on the following page.

**2. My remotes will not activate the door:**

- Verify your door control is not blinking. If it is blinking, deactivate the Lock Mode following the instructions for *Using the Wall-Mounted Door Control*.
- Reprogram remotes following the programming instructions. Refer to *Programming*.
- If remote will still not activate your door, check diagnostic LED for flashes on motor unit then refer to *Diagnostic Chart* on the following page.

**3. My door reverses for no apparent reason:**

Repeat safety reverse test after adjustments to force or travel limits. The need for occasional adjustment for the force and limit settings is normal. Weather conditions in particular can affect door travel.

- Manually check door for balance or any binding problems.
- Refer to *Adjustment Step 2, Adjust the Force*.

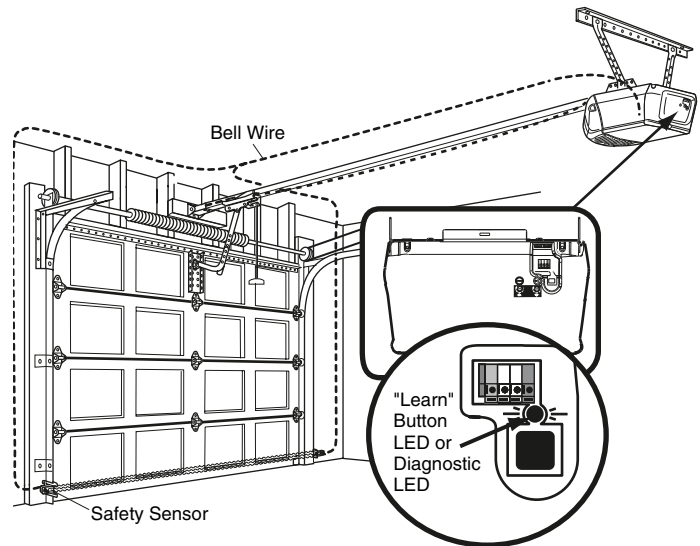
**4. My door reverses for no apparent reason after fully closing and touching the floor:**

Repeat safety reverse test after adjustments to force or travel limits. The need for occasional adjustment for the force and limit settings is normal. Weather conditions in particular can affect door travel.

- Refer to *Adjustment Step 1, Adjust the UP and DOWN Travel Limits*. Decrease down travel by turning down limit adjustment screw clockwise.

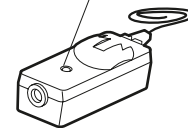
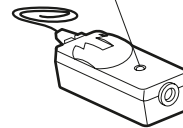
**5. My lights will not turn off when door is open:**

- The garage door opener is equipped with a security light feature. This feature activates the light on when the safety sensor beam has been obstructed. Refer to Operation section; Using the *Wall Mounted Door Control, Light Feature*.



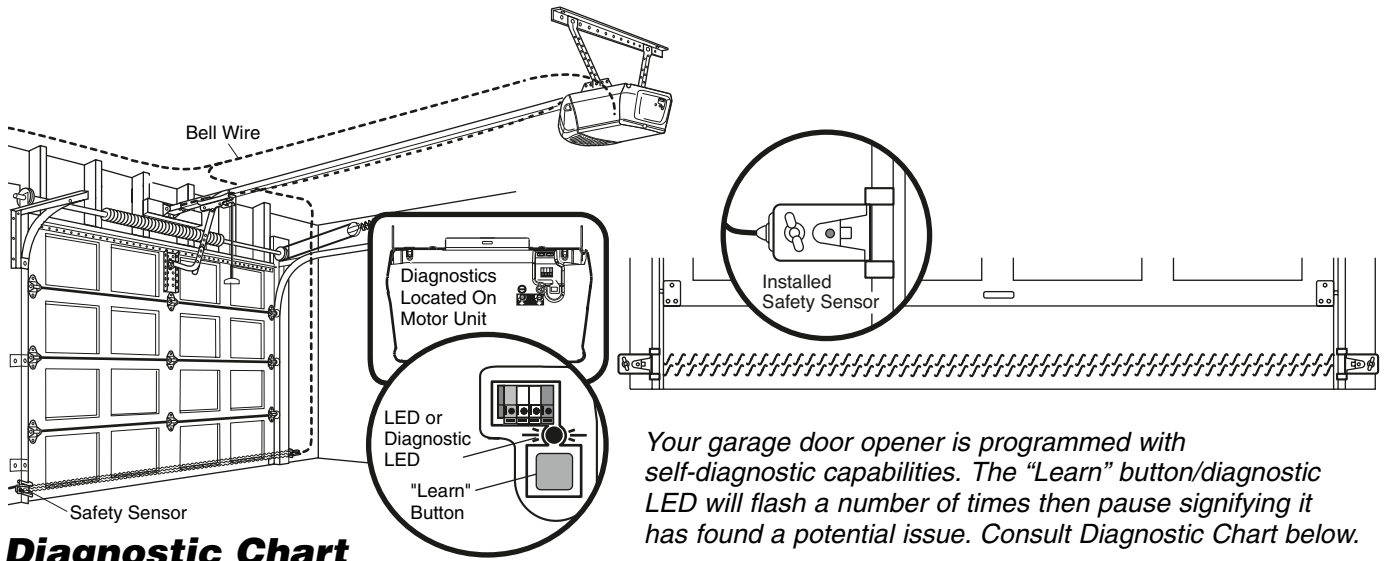
Sending Eye Safety Sensor  
(Amber Indicator Light)

Receiving Eye Safety Sensor  
(Green Indicator Light)



**6. My motor unit hums briefly:**

- First verify that the trolley is against the stop bolt.
- Release the door from the opener by pulling the Emergency Release Rope.
- Manually bring the door to a closed position.
- Loosen the chain by adjusting the *outer nut* 4 to 5 turns. This relieves the tension.
- Run the motor unit from the remote control or door control. The trolley should travel towards the door and stop. If the trolley re-engages with the door, pull the Emergency Release Rope to disengage.
- Decrease the UP travel by turning the UP Travel adjustment screw 2 full turns *away* from the arrow.
- Re-tighten the outer nut so the chain is a 1/2" (13 mm) above the base of the rail. (When the door is reconnected and closed, the chain will sag. This is normal.)
- If the trolley does not move away from the bolt, repeat the steps above.



## Diagnostic Chart

### 1 FLASH

Safety sensors wire open (broken or disconnected).

OR

### 2 FLASHES

Safety sensors wire shorted or black/white wire reversed.

### 3 FLASHES

Door control or wire shorted.

### 4 FLASHES

Safety Sensors slightly misaligned (dim or flashing LED).

### 5 FLASHES

Motor overheated or possible RPM sensor failure. Unplug to reset.

### 6 FLASHES

Motor Circuit Failure. Replace Receiver Logic Board.

- **Symptom: One or both of the Indicator lights on the safety sensors do not glow steady.**
  - Inspect sensor wires for a short (staple in wire), correct wiring polarity (black/white wires reversed), broken or disconnected wires, replace/attach as needed.
  - Disconnect all wires from back of motor unit.
  - Remove sensors from brackets and shorten sensor wires to 1-2 ft. (30-60 cm) from back each of sensor.
  - Reattach sending eye to motor unit using shortened wires. If sending eye indicator light glows steadily, attach the receiving eye.
  - Align sensors, if the indicator lights glow replace the wires for the sensors. If the sensor indicator lights do not light, replace the safety sensors.
- **Symptom: LED is not lit on door control.**
  - Inspect door control/wires for a short (staple in wire), replace as needed.
  - Disconnect wires at door control, touch wires together. If motor unit activates, replace door control.
  - If motor unit does not activate, disconnect door control wires from motor unit. Momentarily short across red and white terminals with jumper wire. If motor unit activates, replace door control wires.
- **Symptom: Sending indicator light glows steadily, receiving indicator light is dim or flashing.**
  - Realign receiving eye sensor, clean lens and secure brackets.
  - Verify door track is firmly secured to wall and does not move.
- **Symptom: Motor has over heated; the motor unit does not operate or trolley is stuck on stop bolt = Motor unit hums briefly; RPM Sensor = Short travel 6-8" (15-20 cm).**
  - Unplug unit to reset. Try to operate motor unit, check diagnostic code.
  - If it is still flashing 5 times and motor unit moves 6-8" (15-20 cm), replace RPM sensor.
  - If motor unit doesn't operate, motor unit is overheated. Wait 30 minutes and retry. If motor unit still will not operate replace logic board.
- **Symptom: Motor unit doesn't operate.**
  - Replace logic board because motor rarely fails.

# PROGRAMMING

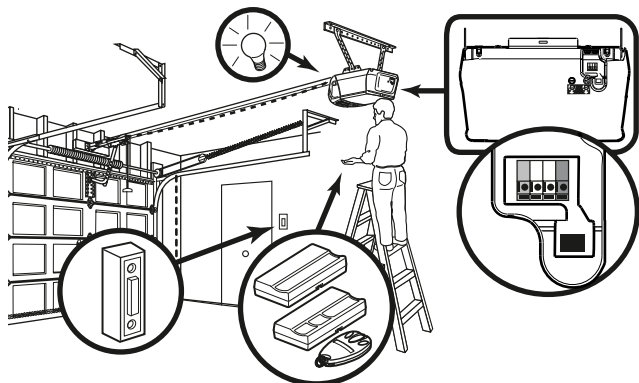
**NOTICE:** If this Security+® garage door opener is operated with a non-rolling code transmitter, the technical measure in the receiver of the garage door opener, which provides security against code-theft devices, will be circumvented. The owner of the copyright in the garage door opener does not authorize the purchaser or supplier of the non-rolling code transmitter to circumvent that technical measure.

Your garage door opener has already been programmed at the factory to operate with your hand-held remote control. The door will open and close when you press the large push button.

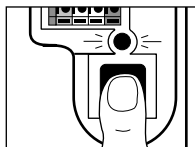
Below are instructions for programming your opener to operate with additional Security+® remote controls.

## To Add or Reprogram a Hand-held Remote Control

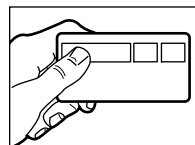
### USING THE “LEARN” BUTTON



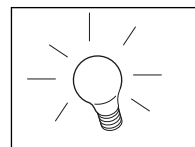
1. Press and release the “learn” button on the motor unit. The learn indicator light will glow steadily for 30 seconds.



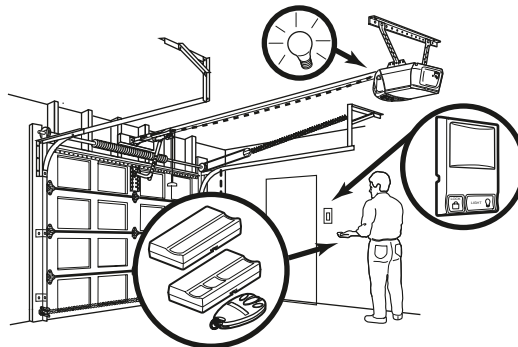
2. Within 30 seconds, press and hold the button on the hand-held remote\* that you wish to operate your garage door.



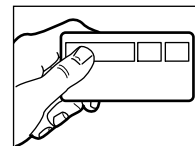
3. Release the button when the motor unit lights blink. It has learned the code. If light bulbs are not installed, two clicks will be heard.



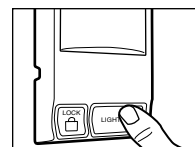
### USING THE MULTI-FUNCTION DOOR CONTROL



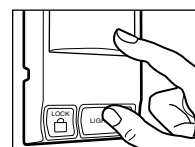
1. Press and hold the button on the hand-held remote\* that you wish to operate your garage door.



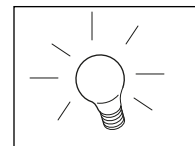
2. While holding the ENTER button, press and hold the LIGHT button on the Multi-Function Door Control.



3. Continue holding the ENTER and LIGHT buttons while you press the push bar on the Multi-Function Door Control (all three buttons are held).



4. Release buttons when the motor unit lights blink. It has learned the code. If light bulbs are not installed, two clicks will be heard.



### To Erase All Codes From Motor Unit Memory

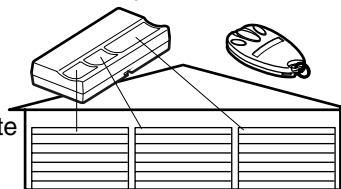
To deactivate any unwanted remote, first erase all codes:

Press and hold the “learn” button on motor unit until the learn indicator light goes out (approximately 6 seconds). All previous codes are now erased. Reprogram each remote or keyless entry you wish to use.



### \*3-Button Remotes

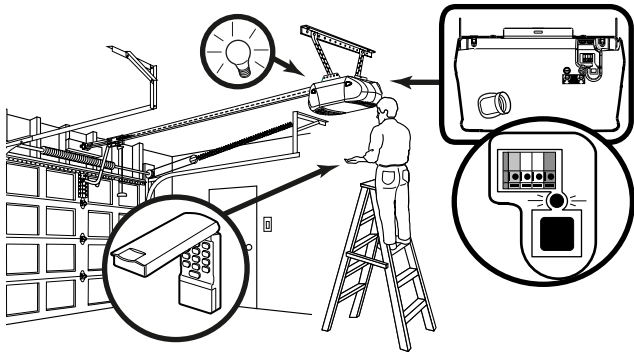
If provided with your garage door opener, the large button is factory programmed to operate it. Additional buttons on any Security+® 3-Button remote or compact remote can be programmed to operate other Security+® garage door openers.



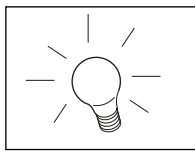
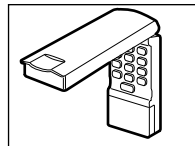
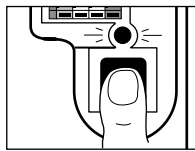
## To Add, Reprogram or Change a Keyless Entry PIN

**NOTE:** Your new Keyless Entry must be programmed to operate your garage door opener.

### USING THE "LEARN" BUTTON



1. Press and release the "learn" button on motor unit. The learn indicator light will glow steadily for 30 seconds.
2. Within 30 seconds, enter a four digit personal identification number (PIN) of your choice on the keypad. Then press and hold the ENTER button.
3. Release the button when the motor unit lights blink. It has learned the code. If light bulbs are not installed, two clicks will be heard.



### To change an existing, known PIN

If the existing PIN is known, it may be changed by one person without using a ladder.

1. Press the four buttons for the present PIN, then press and hold the # button.  
The opener light will blink twice. Release the # button.

2. Press the new 4-digit PIN you have chosen, then press Enter.

The motor unit lights will blink once when the PIN has been learned.

Test by pressing the new PIN, then press Enter. The door should move.

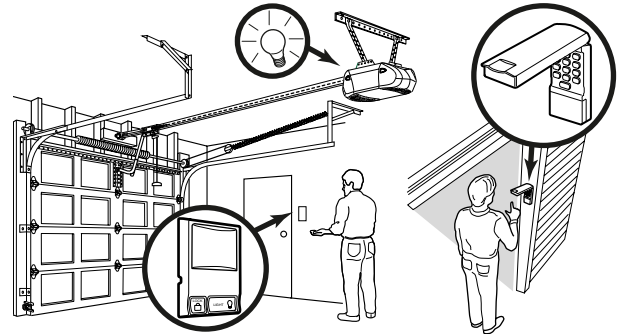
### To set a temporary PIN

You may authorize access by visitors or service people with a temporary 4-digit PIN. After a programmed number of hours or number of accesses, this temporary PIN expires and will no longer open the door. It can be used to *close* the door even after it has expired. To set a temporary PIN:

1. Press the four buttons for your personal entry PIN (not the last temporary PIN), then press and hold the \* button.

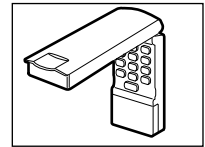
The opener light will blink three times. Release the button.

### USING THE MULTI-FUNCTION DOOR CONTROL

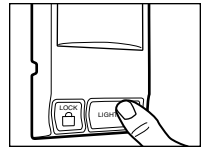


**NOTE:** This method requires two people if the Keyless Entry is already mounted outside the garage.

1. Enter a four digit personal identification number (PIN) of your choice on the keypad. Then press and hold ENTER.



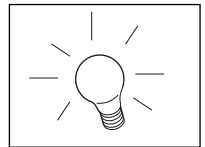
2. While holding the ENTER button, press and hold the LIGHT button on the Multi-Function Door Control.



3. Continue holding the ENTER and LIGHT buttons while you press the push bar on the Multi-Function Door Control (all three buttons are held).



4. Release buttons when the motor unit lights blink. It has learned the code. If light bulbs are not installed, two clicks will be heard.



2. Press the temporary 4-digit PIN you have chosen, then press Enter.

The opener light will blink four times.

3. To set the number of **hours** this temporary PIN will work, press the number of hours (up to 255), then press \*.

**OR**

3. To set the number of **times** this temporary PIN will work, press the number of times (up to 255), then press #.

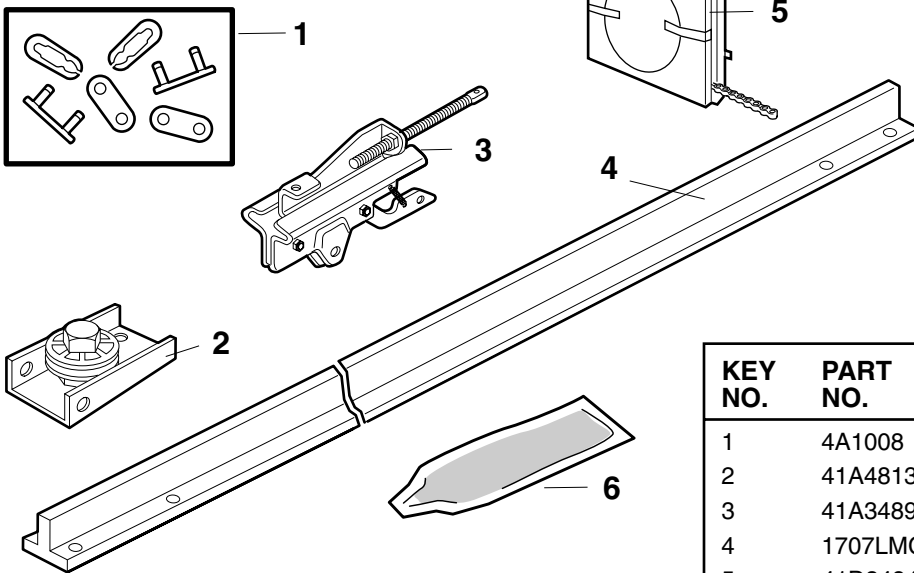
The opener light will blink once when the temporary PIN has been learned.

Test by pressing the four buttons for the temporary PIN, then press Enter. The door should move. If the temporary PIN was set to a certain number of openings, remember that the test has used up one opening. To clear the temporary password, repeat steps 1-3, setting the number of hours or times to 0 in step 3.



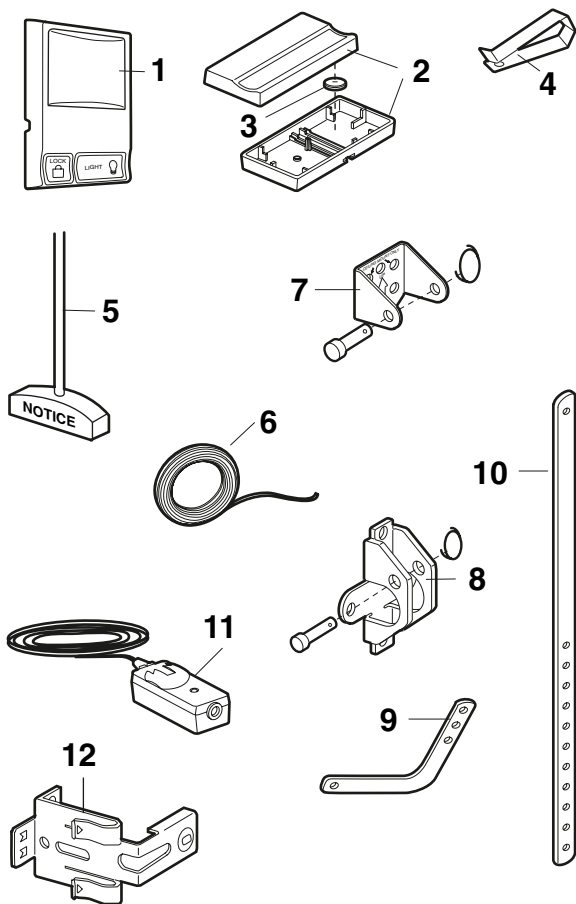
# REPAIR PARTS

## Rail Assembly Parts



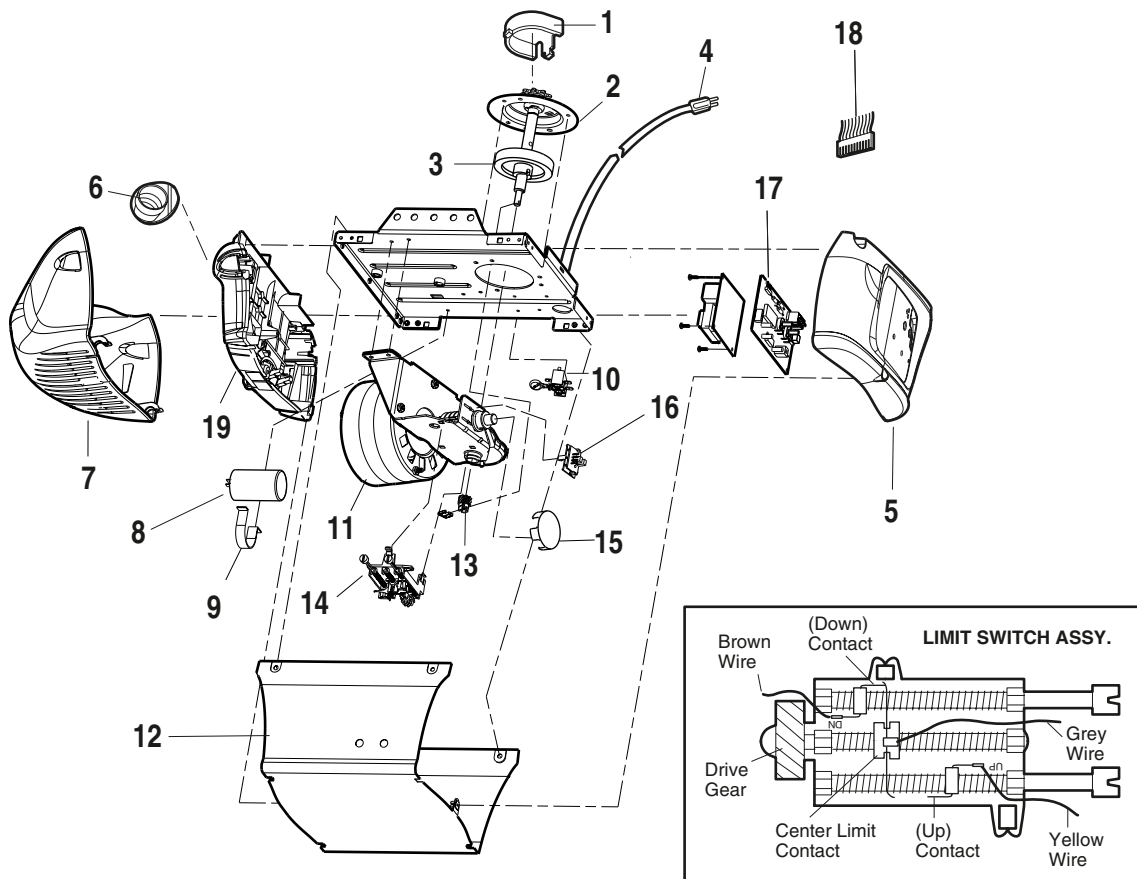
KEY NO.	PART NO.	DESCRIPTION
1	4A1008	Master link kit
2	41A4813	Chain pulley bracket
3	41A3489	Complete trolley assembly
4	1707LMC	One-piece rail
5	41D3484	Full chain assembly
6	83A11-2	Rail grease

## Installation Parts



KEY NO.	PART NO.	DESCRIPTION
1	41A5273-1	Multi-function door control panel
2	971LMC	Single-button remote control
3	10A20	3V2032 Lithium battery
4	29B137	Remote control visor clip
5	41A2828	Emergency release rope & handle assembly
6	41B4494-1	2-Conductor bell wire, white & white/red
7	41A4353	Header bracket w clevis pin & fastener
8	41A5047	Door bracket w/clevis pin & fastener
9	178B35	Curved door arm section
10	178B34	Straight door arm section
11	41A5034	Safety sensor kit (receiving and sending eyes) with 3' 2-conductor bell wire
12	41A5266-1	Safety sensor brackets (2)
		<b>NOT SHOWN</b>
	41A2770-6	Installation hardware bag (includes hardware listed on page 5).
	114A2684	Owner's manual

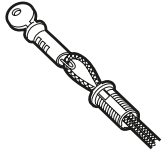
## Motor Unit Assembly Parts



KEY NO.	PART NO.	DESCRIPTION	KEY NO.	PART NO.	DESCRIPTION
1	31D380	Sprocket cover	12	41A5525-1	Cover
2	41C4220A	Gear and sprocket assembly <b>Complete with:</b> Spring washer, thrust washer, retaining ring, bearing plate, roll pins (2), drive gear and worm gear, helical gear w/retainer and grease	13	41A2818	Limit switch drive & retainer
3	41A2817	Drive/worm gear kit w/grease, roll pins (2)	14	41D3452	Limit switch assembly
4	41B4245	Line cord	15	41A2822-1	Interrupter cup assembly
5	41A5484-1	End panel w/all labels	16	41C4398A	RPM sensor assembly
6	4A1344	Light socket	17	41A5483-1B	Receiver logic board assy. <b>Complete with:</b> Logic board, end panel w/all labels, light socket
7	108D68	Lens	18	41C5498	Low voltage wire harness assy.
8	30B532	Capacitor - 1/2 HP		41C5497	High voltage wire harness assy.
9	12A373	Capacitor bracket	19	41D180-1	End panel w/all labels
10	41A3150	Terminal block w/screws			<b>NOT SHOWN</b>
11	41D3058	Universal replacement motor & bracket assembly <b>Complete with:</b> Motor, worm, bracket, bearing assembly, RPM sensor		41A2826	Motor shaft bearing kit
				41A2825	Opener assembly hardware kit (includes screws not designated by a number in illustration)

## ACCESSORIES

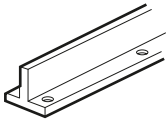
1702LMC



### Outside Quick Release:

Required for a garage with NO access door. Enables homeowner to open garage door manually from outside by disengaging trolley.

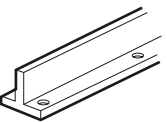
1708LMC



### 8 (2.4 m) Foot Complete Rail:

To allow an 8 foot (2.4 m) door to open fully.

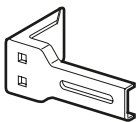
1710LMC



### 10 (3 m) Foot Complete Rail:

To allow a 10 foot (3 m) door to open fully.

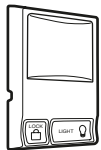
41A5281



### Extension Brackets:

(Optional) For safety sensor installation onto the wall or floor.

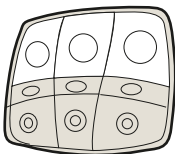
78LMC



### Multi-Function Door Control Panel:

Provides a Lock Feature which prevents operation of garage door opener from portable remotes and a Light Feature for constant light.

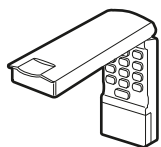
902LM/903LMC



### 2 & 3 Door Multi-Function Wall Control:

Ideal for homes with up to three garage doors. Combine up to three controls into one wall control panel for a neat compact appearance. Enhanced functions include Lock Feature to lock out outside radio signals while you are away from home and turn opener lights on or off from the control panel.

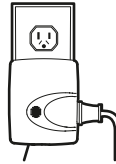
976LMC



### Wireless Keyless Entry with Security+:

Enables homeowner to operate garage door opener from outside by entering a password on a specially designed keyboard. Also can add a temporary password for visitors or service persons. This temporary password can be limited to a programmable number of hours or entries.

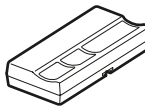
995LMC



### Remote Light Control:

Enables homeowner to turn on a lamp, television or other appliance from their car with their garage door opener remote or from anywhere in their home with an additional LiftMaster Security+® remote.

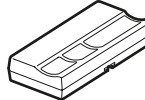
973WC



### Designer Burl Walnut 3-Button Remote Control with Security+:

Includes visor clip.

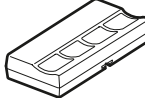
973LMC



### 3-Button Security+ Remote Control:

Includes visor clip.

974LMC



### 4-Button Security+ Remote Control:

Includes visor clip.

970LMC



### 3-Button Mini-Remote Control with Security+:

With key ring and fastening strip.

915LMC



### Garage Door Monitor:

Security for the largest door of your home! Tells you if your garage door is open or closed. Monitors up to 4 garage doors by adding additional sensor modules.

916LMC



### Garage Door Monitor Sensor:

Additional accessory sensor for homes with multiple garage doors.

# LIFTMASTER SERVICE IS ON CALL

**OUR LARGE SERVICE ORGANIZATION  
SPANS AMERICA AND CANADA**

**INSTALLATION AND SERVICE INFORMATION IS AS  
NEAR AS YOUR TELEPHONE SEVEN DAYS A WEEK.  
SIMPLY DIAL OUR TOLL FREE NUMBER:**

**1-800-654-4736**

**HOURS: (Central Std. Time)  
6:00 A.M. TO 7:00 P.M. - Monday through Friday  
8:00 A.M. TO 6:00 P.M. - Saturday  
8:00 A.M. TO 4:30 P.M. - Sunday**

**www.liftmaster.com**

**For professional installation, parts and service,  
contact your local LIFTMASTER/CHAMBERLAIN  
dealer. Look for him in the Yellow Pages, or call our  
Service number for a list of dealers in your area.**

# HOW TO ORDER REPAIR PARTS

Selling prices will be furnished on request or parts will be shipped at prevailing prices and you will be billed accordingly.

**WHEN ORDERING REPAIR PARTS, ALWAYS GIVE  
THE FOLLOWING INFORMATION:**

- PART NUMBER
- PART NAME
- MODEL NUMBER

**ADDRESS ORDERS TO:  
THE CHAMBERLAIN GROUP, INC.  
Technical Support Group  
6020 S. Country Club Road  
Tucson, Arizona 85706**

**SERVICE INFORMATION  
TOLL FREE NUMBER:  
1-800-654-4736**

## LIFTMASTER ONE-YEAR LIMITED WARRANTY FOUR YEAR MOTOR LIMITED WARRANTY

The Chamberlain Group, Inc. ("Seller") warrants to the first retail purchaser of this product, for the residence in which this product is originally installed, that it is free from defect in materials and/or workmanship for a period of one year from the date of purchase and that the motor is free from defect in materials and/or workmanship for a period of four years from the date of purchase. The proper operation of this product is dependent on your compliance with the instructions regarding installation, operation, maintenance and testing. Failure to comply strictly with those instructions will void this warranty in its entirety.

If, during the limited warranty period, this product appears to contain a defect covered by this limited warranty, call 1-800-654-4736, toll free, before dismantling this product. Then send this product, pre-paid and insured, to our service center for warranty repair. You will be advised of shipping instructions when you call. Please include a brief description of the problem and a dated proof-of-purchase receipt with any product returned for warranty repair. Products returned to Seller for warranty repair, which upon receipt by Seller are confirmed to be defective and covered by this limited warranty, will be repaired or replaced (at Seller's sole option) at no cost to you and returned pre-paid. Defective parts will be repaired or replaced with new or factory-rebuilt parts at Seller's sole option.

**THIS LIMITED WARRANTY IS IN LIEU OF ANY OTHER WARRANTIES, EXPRESS OR IMPLIED, INCLUDING ANY IMPLIED WARRANTY OF MERCHANTABILITY OR FITNESS FOR A PARTICULAR PURPOSE OR OTHERWISE, AND OF ANY OTHER OBLIGATIONS OR LIABILITY ON SELLER'S PART. THIS LIMITED WARRANTY DOES NOT COVER NON-DEFECT DAMAGE, DAMAGE CAUSED BY IMPROPER INSTALLATION, OPERATION OR CARE (INCLUDING, BUT NOT LIMITED TO ABUSE, MISUSE, FAILURE TO PROVIDE REASONABLE AND NECESSARY MAINTENANCE, UNAUTHORIZED REPAIRS OR ANY ALTERATIONS TO THIS PRODUCT), LABOR CHARGES FOR REINSTALLING A REPAIRED OR REPLACED UNIT, REPLACEMENT OF BATTERIES AND LIGHT BULBS OR UNITS INSTALLED FOR NON-RESIDENTIAL USE.**

**THIS LIMITED WARRANTY DOES NOT COVER ANY PROBLEMS WITH, OR RELATING TO, THE GARAGE DOOR OR GARAGE DOOR HARDWARE, INCLUDING BUT NOT LIMITED TO THE DOOR SPRINGS, DOOR ROLLERS, DOOR ALIGNMENT OR HINGES. ANY SERVICE CALL THAT DETERMINES THE PROBLEM HAS BEEN CAUSED BY ANY OF THESE ITEMS COULD RESULT IN A FEE TO YOU.**

**UNDER NO CIRCUMSTANCES SHALL SELLER BE LIABLE FOR CONSEQUENTIAL, INCIDENTAL OR SPECIAL DAMAGES ARISING IN CONNECTION WITH USE, OR INABILITY TO USE, THIS PRODUCT. IN NO EVENT SHALL SELLER'S LIABILITY FOR BREACH OF WARRANTY, BREACH OF CONTRACT, NEGLIGENCE OR STRICT LIABILITY EXCEED THE COST OF THE PRODUCT COVERED HEREBY. NO PERSON IS AUTHORIZED TO ASSUME FOR US ANY OTHER LIABILITY IN CONNECTION WITH THE SALE OF THIS PRODUCT.**

Some states do not allow the exclusion or limitation of consequential, incidental or special damages, so the above limitation or exclusion may not apply to you. This limited warranty gives you specific legal rights, and you may also have other rights which vary from province to province.

CHAMBERLAIN®

**LiftMaster®**  
**PROFESSIONAL**

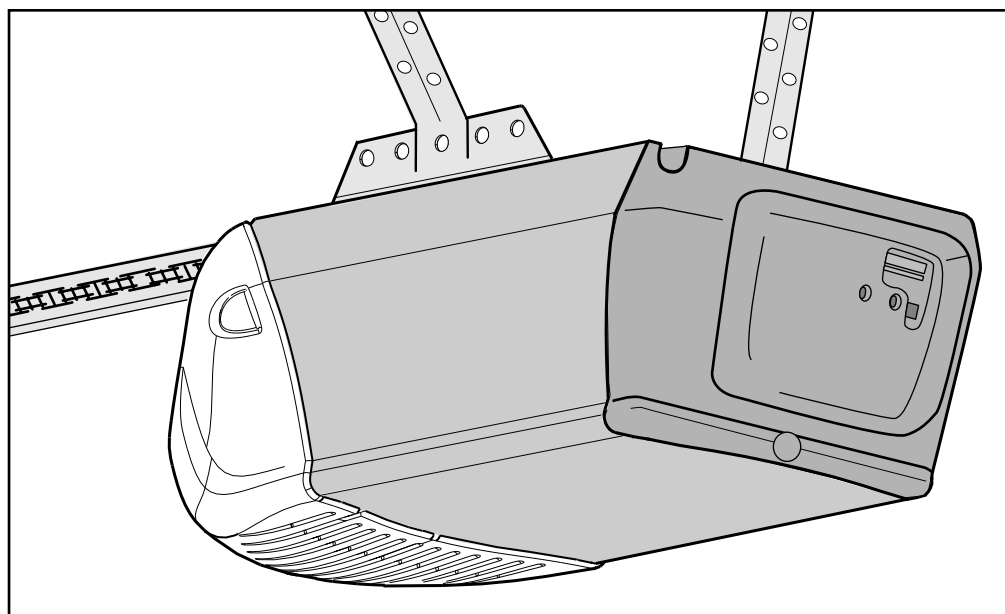
The Chamberlain Group, Inc.  
845 Larch Avenue  
Elmhurst, Illinois 60126-1196  
www.liftmaster.com



## **SECURITY+®** **OUVRE-PORTE DE GARAGE**

**Modèles 2245C 1/3 HP**  
**2255C 1/2 HP**  
**2255-2C 1/2 HP**

*Pour résidences seulement*



### **Manuel d'instructions**

- Lire attentivement ce manuel ainsi que les consignes de sécurité!
- Après la pose, accrocher ce manuel près de la porte de garage pour s'y reporter ultérieurement.
- La porte **NE SE FERMERA PAS** si le Système Protector® n'est pas branché et réglé correctement.
- Pour un bon fonctionnement en toute sécurité de cet ouvre-porte de garage, le vérifier et le régler périodiquement.
- L'étiquette du numéro de modèle est située sur le panneau avant de votre ouvre-porte.

# TABLE DES MATIÈRES

<b>Introduction</b>	<b>2-5</b>	<b>Réglages</b>	<b>23-25</b>
Revue des symboles de sécurité et des mots de signalement	.2	Réglage des courses	.23
Préparation de votre porte de garage	.3	Réglage de la force	.24
Outils nécessaires	.3	Contrôle du système d'inversion de sécurité	.25
Planification	.4	Essai du Système Protector®	.25
Inventaire de la boîte d'emballage	.5	<b>Fonctionnement</b>	<b>26-30</b>
Inventaire des fixations	.5	Instructions de fonctionnement en toute sécurité	.26
<b>Montage</b>	<b>6-7</b>	Utilisation de votre ouvre-porte de garage	.26
Fixation du rail au moteur	.6	Utilisation de la commande de porte murale	.27
Fixation de la chaîne au pignon	.6	Ouverture manuelle de la porte	.27
Tension de la chaîne	.7	Entretien de votre ouvre-porte de garage	.28
<b>Pose</b>	<b>7-22</b>	Défauts de fonctionnement	.29
Instructions pour une pose en toute sécurité	.7	Fiche diagnostique	.30
Déterminer l'emplacement du support de linteau	.8	<b>Programmation</b>	<b>31-32</b>
Pose du support de linteau	.9	Pour ajouter ou reprogrammer une télécommande à main	.31
Fixation du rail sur le support de linteau	.10	Pour effacer tous les codes	.31
Positionnement de l'ouvre-porte	.11	Télécommandes à trois boutons	.31
Accrochage de l'ouvre-porte	.12	Pour ajouter, reprogrammer ou modifier un NIP d'entrée sans clé	.32
Pose de la commande de porte	.13	<b>Pièces de réparation</b>	<b>33-34</b>
Pose de l'ampoule	.14	Pièces d'assemblage du rail	.33
Pose de la corde et de la poignée de déclenchement d'urgence	.14	Pièces pour la pose	.33
Exigences électriques	.15	Pièces d'assemblage du moteur	.34
Pose du Système Protector®	.16-18	<b>Accessoires</b>	<b>35</b>
Fixation du support de la porte	.19-20	<b>Pièces de réparation et service</b>	<b>36</b>
Fixation de la biellette de la porte au chariot	.21-22	<b>Garantie</b>	<b>36</b>

## INTRODUCTION

### Revue des symboles de sécurité et des mots de signalement

Cet ouvre-porte de garage a été conçu et testé dans le but d'offrir un service sûr à condition qu'il soit installé, utilisé, entretenu et testé en stricte conformité avec les instructions et les avertissements contenus dans le présent manuel.

#### **AVERTISSEMENT**

Mécanique

#### **AVERTISSEMENT**

Électrique

#### **ATTENTION**

Lorsque vous verrez ces symboles de sécurité et ces mots de signalement sur les pages suivantes, ils vous aviseront de la possibilité de **blessures graves ou de mort** si vous ne vous conformez pas aux avertissements qui les accompagnent. Le danger peut provenir de source mécanique ou d'un choc électrique. Lisez attentivement les avertissements.

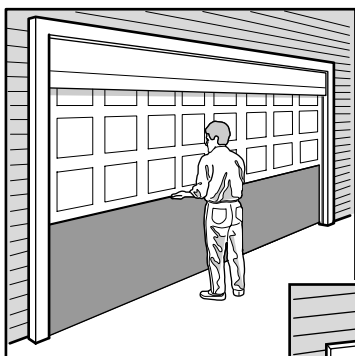
Lorsque vous verrez ce mot de signalement sur les pages suivantes, il vous avisera de la possibilité de dommages à votre porte de garage ou ouvre-porte de garage, ou les deux, si vous ne vous conformez pas aux énoncés de mise en garde qui l'accompagnent. Lisez-les attentivement.

## Préparation de votre porte de garage

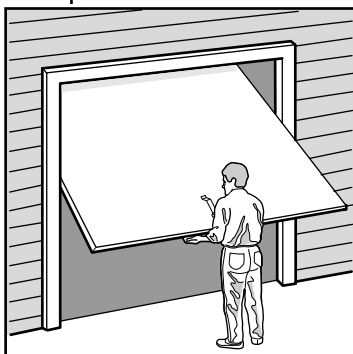
Avant de commencer :

- Désactiver les serrures.
- Retirer toute corde raccordée à la porte de garage.
- **Réaliser le test suivant** pour s'assurer que la porte de garage est équilibrée et qu'elle ne force pas :
  1. Soulever la porte à moitié, comme illustré, puis la relâcher. Si elle est équilibrée, elle devrait rester en place, entièrement supportée par ses ressorts.
  2. Faire monter et descendre la porte pour s'assurer qu'elle ne force pas.

Si votre porte force ou est déséquilibrée, appeler un technicien formé en systèmes de porte.



Porte articulée



Porte rigide

## ⚠ AVERTISSEMENT

Pour prévenir d'éventuelles BLESSURES GRAVES OU LA MORT :

- **TOUJOURS** appeler un technicien formé en systèmes de porte si la porte de garage force ou est déséquilibrée. Une porte de garage déséquilibrée peut ne pas remonter au besoin.
- Ne **JAMAIS** tenter de desserrer, déplacer ou régler la porte de garage ainsi que les ressorts, câbles, poulies, supports de porte ou leurs ferrures de montage, lesquels sont tous sous une tension **EXTRÊME**.
- Désactiver **TOUTES** les serrures et retirer **TOUTES** les cordes raccordées à la porte de garage **AVANT** de poser et d'utiliser l'ouvre-porte de garage afin d'éviter un emmêlement.

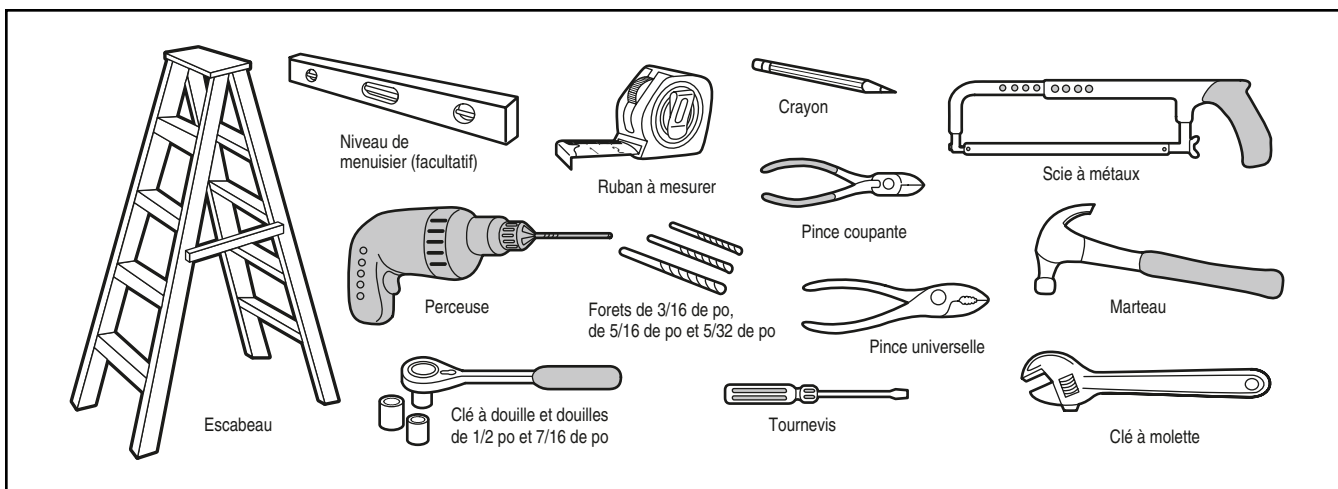
## ATTENTION

Pour prévenir les dommages à la porte de garage et à l'ouvre-porte :

- **TOUJOURS** désactiver les serrures **AVANT** de poser et d'utiliser l'ouvre-porte.
- Faire fonctionner l'ouvre-porte de garage **UNIQUEMENT** à une tension de 120 V, 60 Hz pour éviter les défauts de fonctionnement et les dommages.

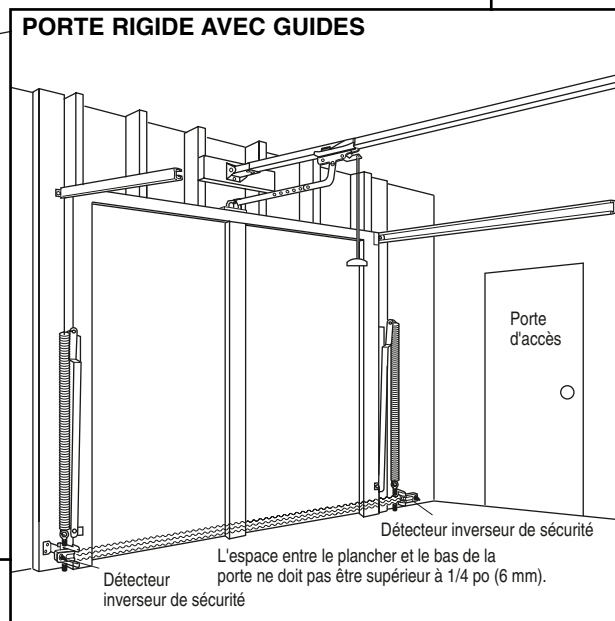
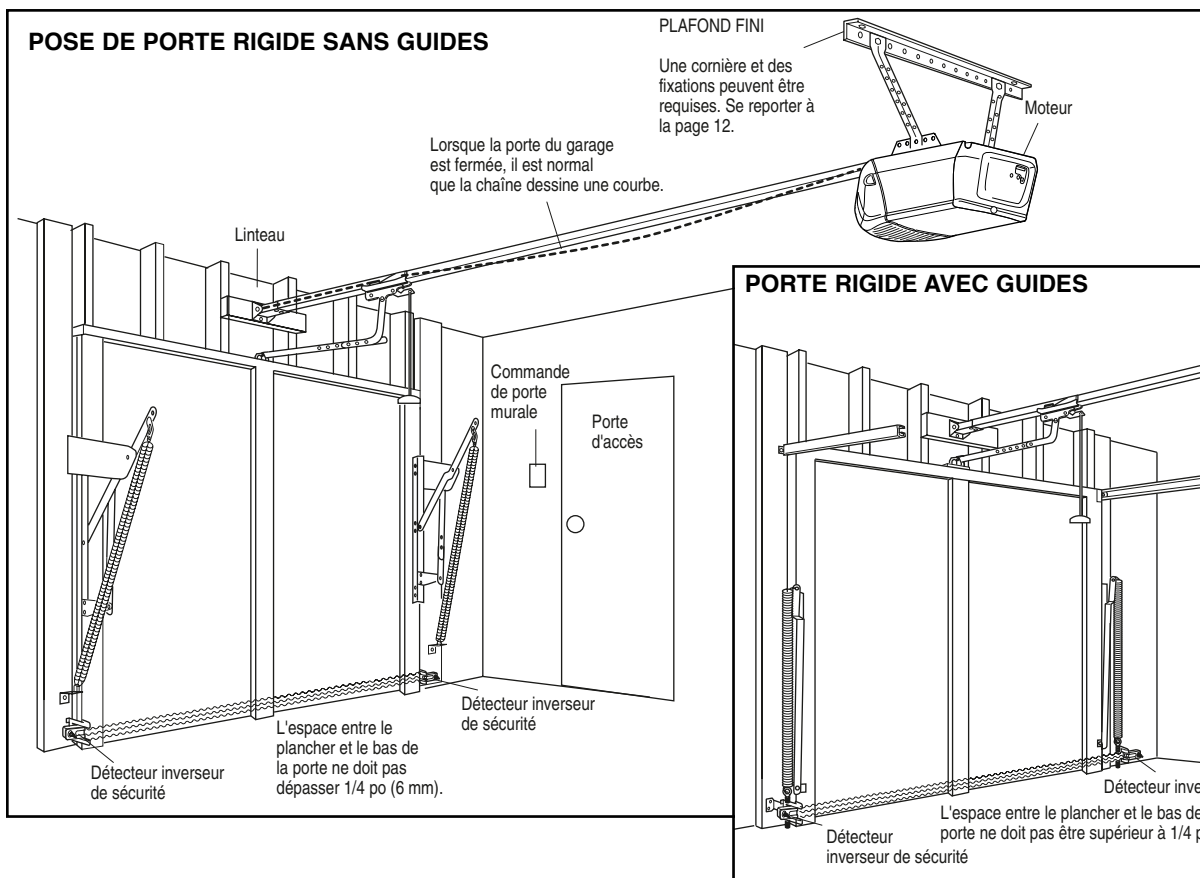
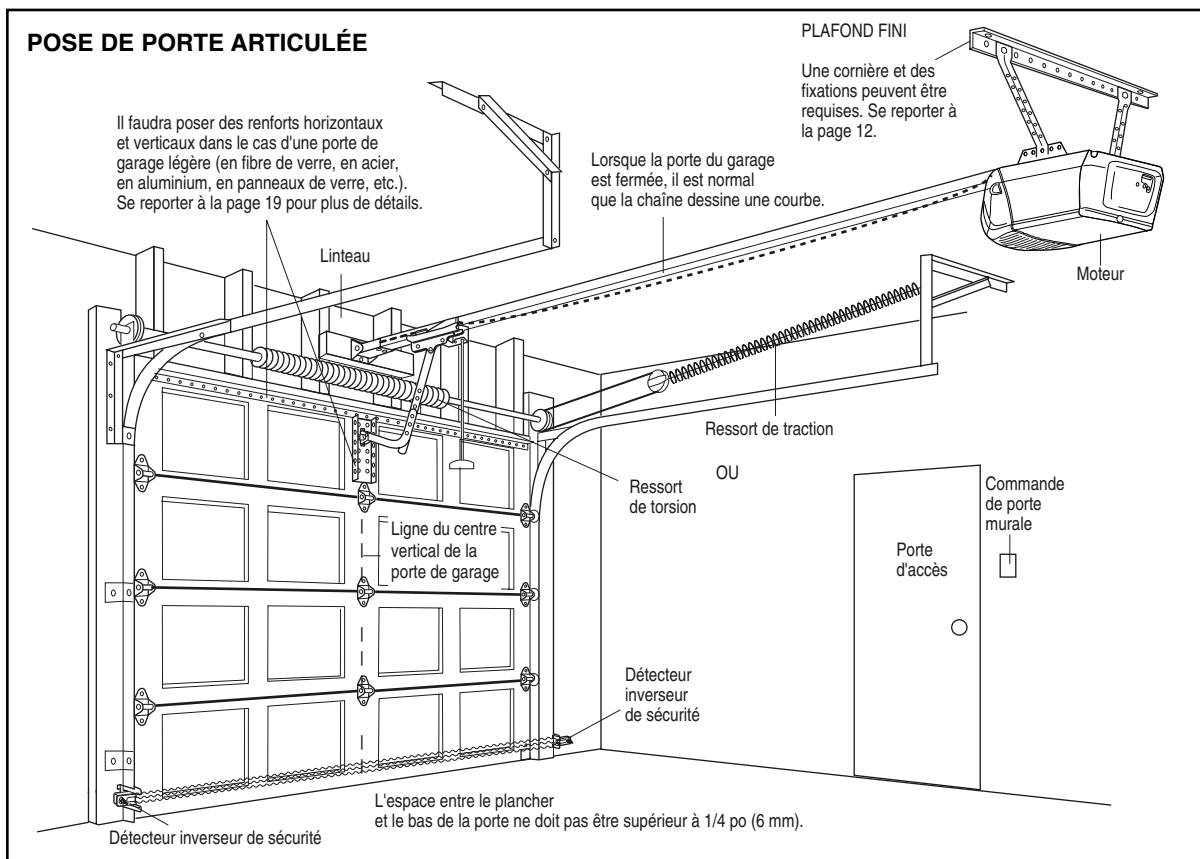
## Outils nécessaires

Lors de l'assemblage, de la pose et du réglage de l'ouvre-porte, les instructions feront appel aux outils à main illustrés ci-après.



## Planification

Identifier le type et la hauteur de votre porte de garage. Examiner la région du garage pour noter si l'une des conditions ci-après s'applique à votre installation. Des matériaux supplémentaires peuvent être nécessaires. Il vous sera peut-être utile de vous reporter à cette page et aux illustrations qui l'accompagnent en procédant à la pose de l'ouvre-porte.

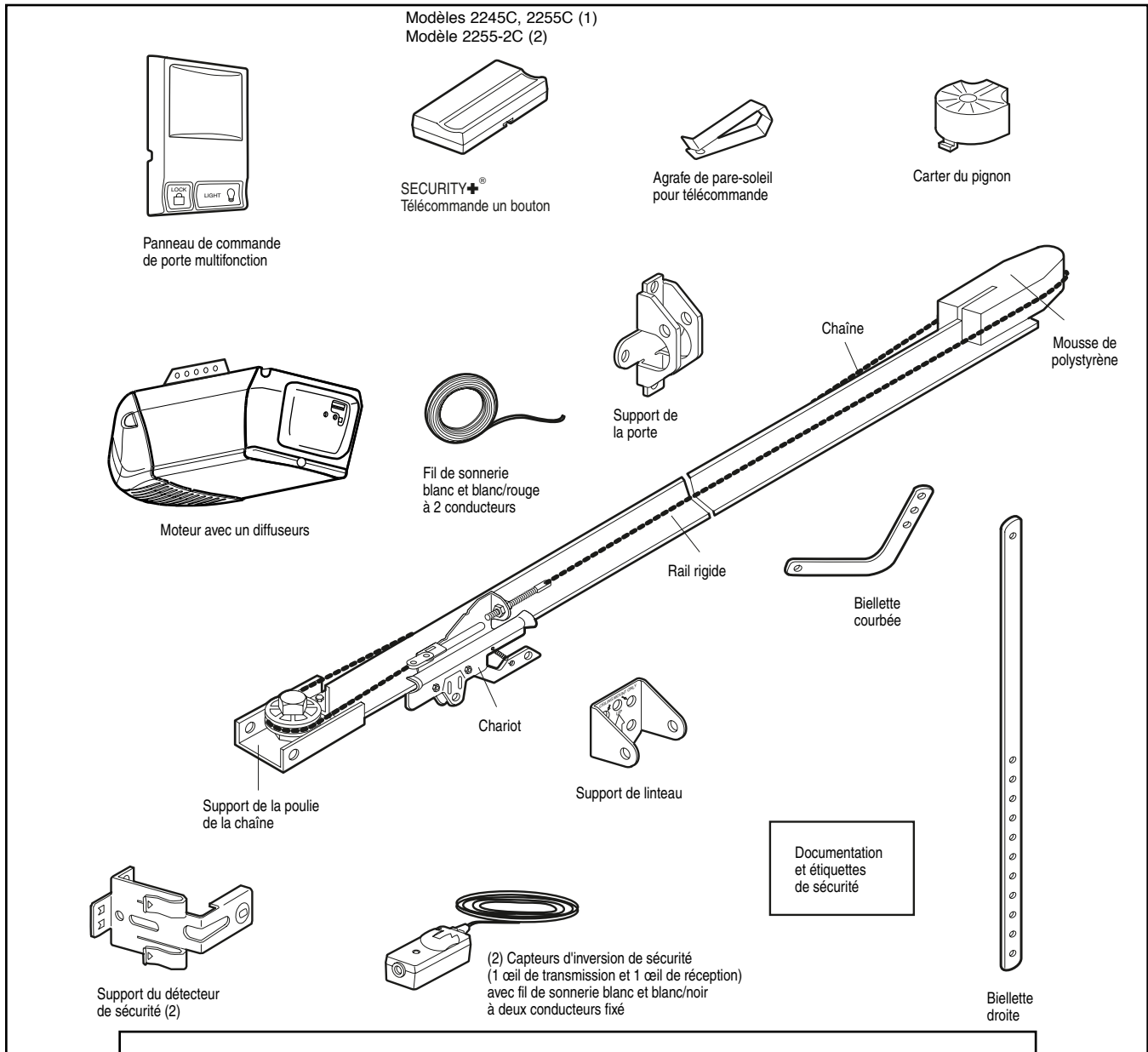




## Inventaire de la boîte d'emballage

Votre ouvre-porte de garage est emballé dans deux boîtes qui contiennent le moteur et toutes les pièces illustrées ci-après. Les accessoires dépendront du modèle acheté. S'il manque quoi que ce soit, vérifier soigneusement le

matériel d'emballage. Les pièces peuvent être coincées dans la mousse. Les ferrures de montage sont également indiquées ci-après.



### FIXATIONS DE POSE

Boulon hexagonal de 5/16 po-18 x 7/8 po (4)  
Tire-fond de 5/16 po -9 x 1-5/8 po (2)  
Tire-fond de 5/16 po -18 x 1-7/8 po (2)  
Axe de chape de 5/16 po x 2-3/4 po (1)  
Axe de chape de 5/16 po x 1-1/4 po (1)  
Axe de chape de 5/16 po x 1 po (1)  
Écrou de 5/16 po -18 (4)  
Rondelle-frein de 5/16 po (4)  
Vis 6AB x 1-1/4 po (2)  
Vis 6-32 x 1 po (2)  
Vis autotaraudeuse 1/4 po -14 x 5/8 po (2)

Agrafes isolées (30)  
Anneau d'arrêt (3)  
Chevilles pour murs secs (2)  
Graisse à rail  
Boulon à tête bombée et à collet carré 1/4 po-20 x 1/2 po (2)  
Écrou à oreilles de 1/4 po-20 (2)  
Corde  
Poignée

## MONTAGE - 1<sup>re</sup> OPÉRATION

### Fixation du rail au moteur

Pour éviter les difficultés pendant la pose, ne faire fonctionner l'ouvre-porte de garage que lorsque cela est expressément indiqué.

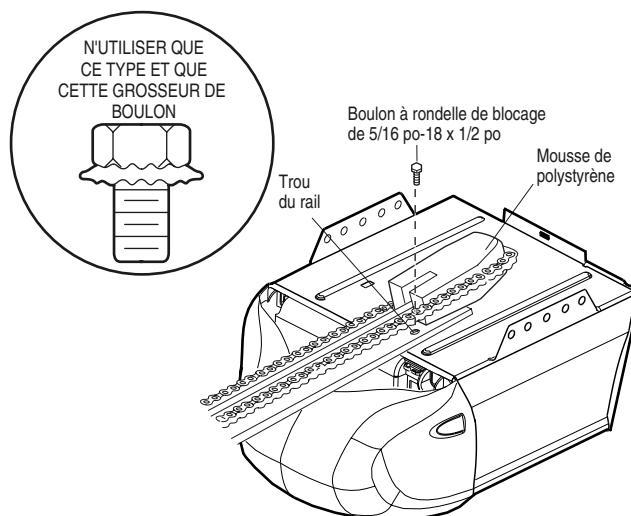
- Enlever les deux boulons à rondelles montés sur le dessus du moteur.
- Placer le rail à un angle de 45° de l'ouvre-porte de façon à ce qu'un des trous du rail soit aligné sur un des trous du moteur.
- Visser partiellement l'une des boulons à rondelles.

**Il importe de n'utiliser que ces boulons! Tout autre boulon causera des dommages considérables à l'ouvre-porte.**

- Aligner le rail et la mousse de polystyrène par-dessus le pignon. Couper le ruban adhésif du rail, de la chaîne et de la mousse.
- ENLEVER LA MOUSSE DE POLYSTYRÈNE.

## ATTENTION

Afin d'éviter d'endommager SÉRIEUSEMENT l'ouvre-porte de garage, utiliser UNIQUEMENT les boulons et les fixations montés sur le dessus de l'ouvre-porte.



## MONTAGE - 2<sup>e</sup> OPÉRATION

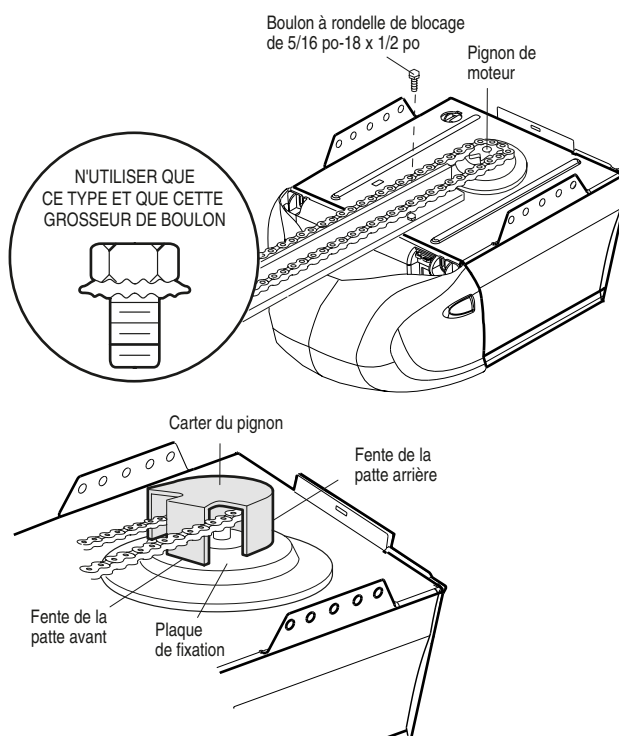
### Montage de la chaîne au pignon et installation du carter du pignon

- Placer la chaîne par-dessus le pignon. Si nécessaire, desserrer l'écrou externe du chariot afin de donner plus de jeu à la chaîne.
- Insérer le deuxième boulon à rondelle.  
**ATTENTION : N'utiliser que les boulons auparavant démontés du moteur!**
- Serrer les deux boulons fortement à travers le rail et dans le moteur, comme illustré.
- Pour fixer le carter du pignon : Introduire la patte arrière dans la fente. Serrer légèrement le carter et introduire la patte avant dans la fente de la plaque de fixation.

## ⚠ AVERTISSEMENT

Pour éviter d'éventuelles BLESSURES GRAVES aux doigts par suite du mouvement de l'ouvre-porte :

- TOUJOURS garder la main à l'écart du pignon lorsque l'ouvre-porte fonctionne.
- Fixer solidement le carter du pignon AVANT de faire fonctionner l'ouvre-porte.



## MONTAGE - 3<sup>e</sup> OPÉRATION

### Tension de la chaîne

- Dévisser l'écrou intérieur de la tige filetée du chariot et éloigner la rondelle.
- Pour tendre la chaîne, tourner l'écrou extérieur dans le sens illustré. **Alors que l'on tourne l'écrou, empêcher la chaîne de vriller.**
- Lorsque la chaîne est à environ 1/2 pouce (13 mm) au-dessus du patin du rail en son point médian, resserrer l'écrou intérieur pour fixer le réglage.

**Le pignon peut faire du bruit si la chaîne est trop détendue.**

Lorsque la pose est terminée, la chaîne peut pendre lorsque la porte est fermée. Ceci est tout à fait normal. Si la chaîne revient à la position illustrée lorsque la porte est ouverte, ne pas retendre la chaîne.

**REMARQUE :** Pour toutes les mises au point ultérieures, **TOUJOURS** tirer la poignée de déclenchement d'urgence avant d'ajuster la chaîne.

**REMARQUE :** La chaîne sera peut-être plus détendue après la 3<sup>e</sup> opération de réglage (Essai du système d'inversion de sécurité). Vérifier la tension et la régler de nouveau au besoin. Répéter ensuite la 3<sup>e</sup> opération de réglage.

**Le montage de l'ouvre-porte de garage est maintenant terminé. Lire les avertissements suivants avant de procéder à la section sur la pose.**

Figure 1

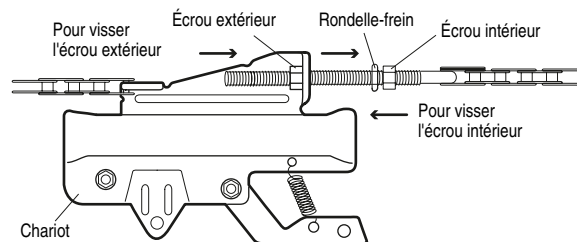
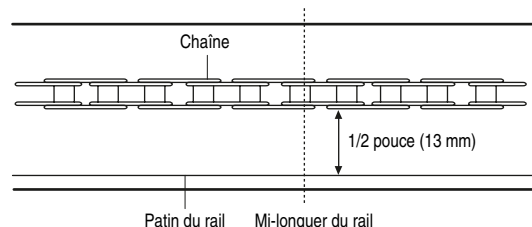


Figure 2



## POSE

### IMPORTANTES INSTRUCTIONS CONCERNANT LA POSE

#### AVERTISSEMENT

### Pour réduire le risque de BLESSURES GRAVES ou MORTELLES :

1. LIRE ET SUIVRE TOUS LES AVERTISSEMENTS ET INSTRUCTIONS DE POSE.
2. Poser l'ouvre-porte de garage uniquement sur une porte de garage bien équilibrée et lubrifiée. Une porte mal équilibrée peut ne pas remonter au besoin et pourrait provoquer des BLESSURES GRAVES ou la MORT.
3. Toutes les réparations aux câbles, ensembles de ressort et autres ferrures de montage DOIVENT être confiées à un technicien formé en systèmes de porte AVANT de poser l'ouvre-porte.
4. Désactiver toutes les serrures et retirer toutes les cordes raccordées à la porte de garage AVANT de poser l'ouvre-porte afin d'éviter un emmêlement.
5. Poser l'ouvre-porte de garage à au moins 7 pieds (2,13 m) au-dessus du sol.
6. Monter la poignée de déclenchement d'urgence à 6 pieds (1,83 m) au-dessus du sol.
7. Ne JAMAIS raccorder l'ouvre-porte de garage à une source de courant avant d'avoir reçu l'instruction de le faire.
8. Ne JAMAIS porter de montres, bagues ou vêtements amples durant la pose ou l'entretien de l'ouvre-porte. Ils pourraient être happés par la porte de garage ou les mécanismes de l'ouvre-porte.
9. Poser la commande de porte murale :
  - en vue de la porte de garage
  - hors de la portée des enfants à une hauteur minimum de 5 pieds (1,5 m)
  - à l'écart de toutes les pièces mobiles de la porte.
10. Placer l'étiquette d'avertissement de prise au piège sur le mur à côté de la commande de la porte de garage.
11. Placer l'étiquette d'essai d'inversion de sécurité/ouverture manuelle bien en vue à l'intérieur de la porte de garage.
12. Au terme de la pose, faire l'essai du système d'inversion de sécurité. La porte DOIT remonter au contact d'un objet d'une hauteur de 1-1/2 po (3,8 cm) (ou un 2 x 4 posé à plat) sur le sol.

## POSE – 1<sup>re</sup> OPÉRATION

### Déterminer l'emplacement du support de linteau

#### AVERTISSEMENT

Pour prévenir d'éventuelles BLESSURES GRAVES ou LA MORT :

- Le support de linteau DOIT être fixé DE MANIÈRE RIGIDE à la solive sur le linteau ou le plafond, sinon la porte de garage pourrait ne pas remonter au besoin. NE PAS poser le support de linteau sur des plaques de placoplâtre.
- On DOIT utiliser des ancrages de béton pour le montage du support de linteau ou d'un 2 x 4 dans la maçonnerie.
- Ne JAMAIS tenter de desserrer, déplacer ou régler la porte de garage ainsi que les ressorts, câbles, poulies, supports de porte ou leurs ferrures de montage, lesquels sont tous sous une tension EXTRÊME.
- TOUJOURS appeler un technicien formé en systèmes de porte si la porte de garage force ou est déséquilibrée. Une porte de garage déséquilibrée peut ne pas remonter au besoin.

Les méthodes de pose varient en fonction de la porte du garage. Suivre les instructions qui correspondent à la porte du garage sur laquelle on pose l'ouvre-porte.

1. Fermer la porte et marquer l'axe vertical intérieur de la porte du garage.
2. Prolonger cet axe sur le linteau au-dessus de la porte.

**Ne pas oublier que l'on peut fixer le support du linteau à moins de 4 pieds (1,22 m) à droite ou à gauche de l'axe de la porte seulement si un ressort de torsion ou une plaque d'appui centrale gêne; ce support peut également être fixé au plafond (se reporter à la page 9) si le dégagement n'est pas suffisant. (Il peut être monté à l'envers sur un mur, au besoin, pour gagner environ 1/2 po (1 cm).**

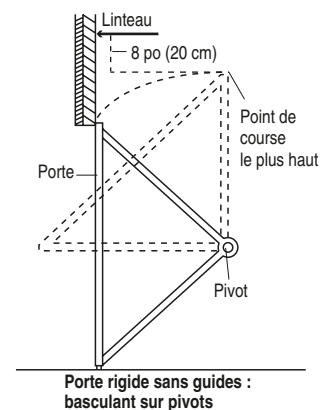
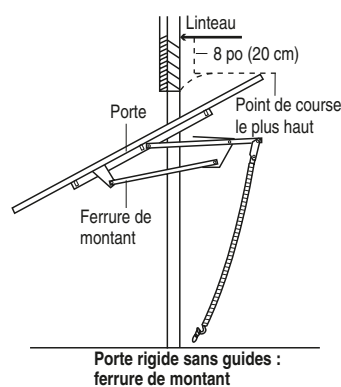
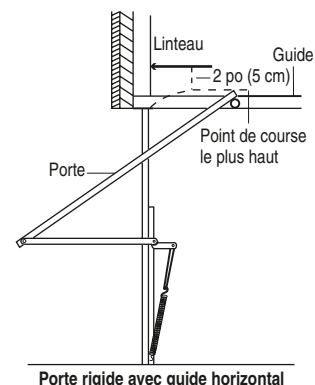
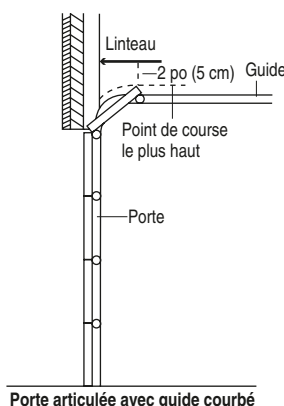
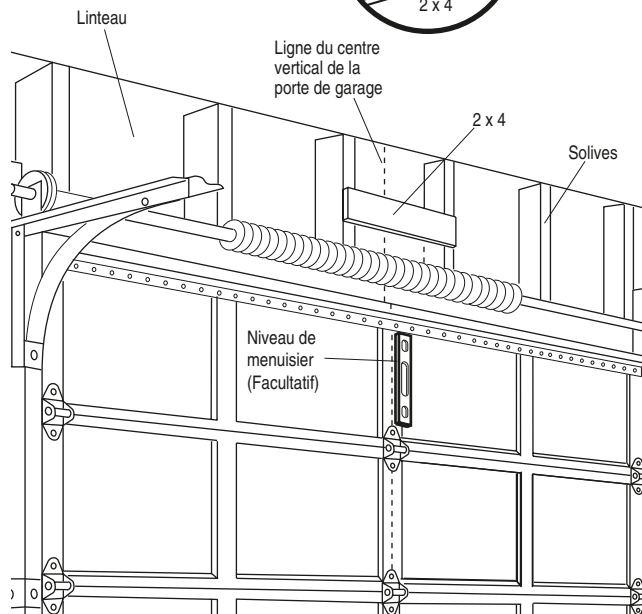
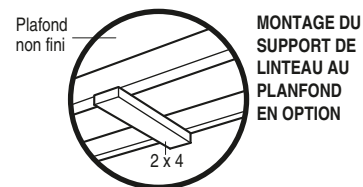
Si l'on doit poser le support de linteau sur un 2 x 4 (au mur ou au plafond), utiliser des tire-fond (non fournis) pour s'assurer que le 2 x 4 est bien retenu sur les solives, comme montré sur cette page et à la page 9.

3. Ouvrir la porte à son point de course le plus haut, tel qu'illustré. Tracer une ligne horizontale d'intersection sur le linteau au-dessus du point le plus haut :

- 2 po (5 cm) au-dessus du point le plus haut pour portes articulées et portes rigides avec rail.
- 8 po (20 cm) au-dessus du point le plus haut pour portes rigides sans rail.

Cette hauteur permettra d'obtenir un dégagement suffisant pour le passage de la partie supérieure de la porte.

**REMARQUE :** Si le nombre total de pouces (centimètres) dépasse la hauteur disponible dans le garage, utiliser la hauteur maximum ou se reporter à la page 9 pour la pose au plafond.



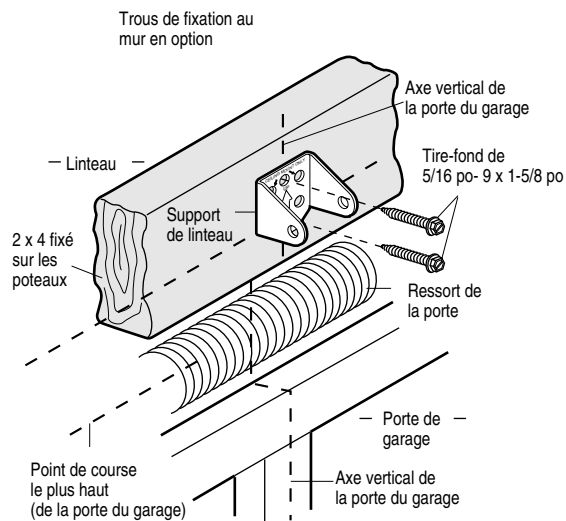
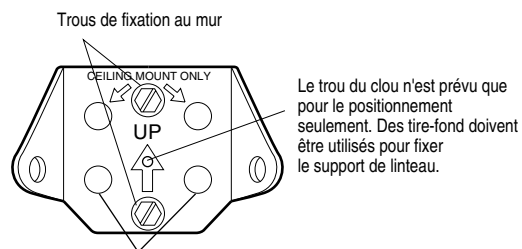
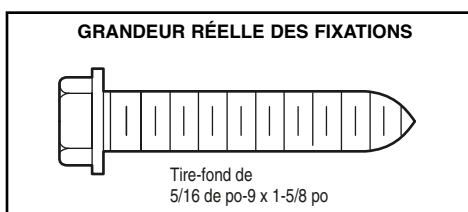
## POSE – 2<sup>e</sup> OPÉRATION

### Pose du support de linteau

Le support de linteau peut être fixé soit sur le mur, au-dessus de la porte, soit au plafond. Suivre les instructions qui répondent le mieux aux besoins particuliers. **Ne pas poser le support de linteau sur des panneaux de placoplâtre. Utiliser des ancrages de béton (non fournis) pour la pose dans la maçonnerie.**

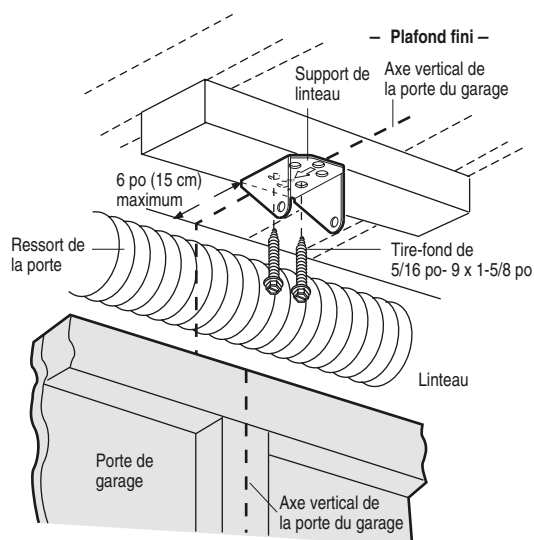
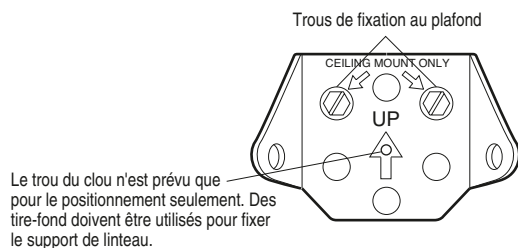
#### POSE DU SUPPORT DE LINTEAU AU MUR

- Centrer le support par rapport à l'axe vertical, la partie inférieure du support étant alignée avec la ligne horizontale, comme illustré (la flèche du support doit être orientée vers le plafond).
- Marquer la série verticale des trous de support (ne pas utiliser les trous prévus pour le montage au plafond). Percer des avant-trous de 3/16 pouce et fixer fermement le support sur une solive avec les fixations fournies.



#### POSE DU SUPPORT DE LINTEAU AU PLAFOND

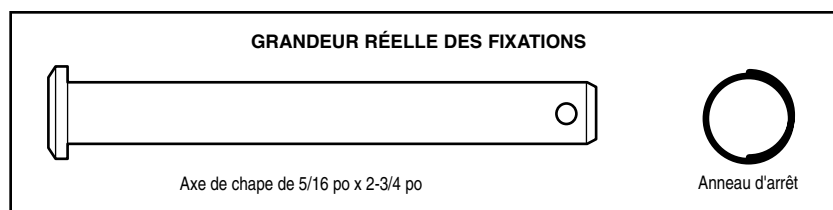
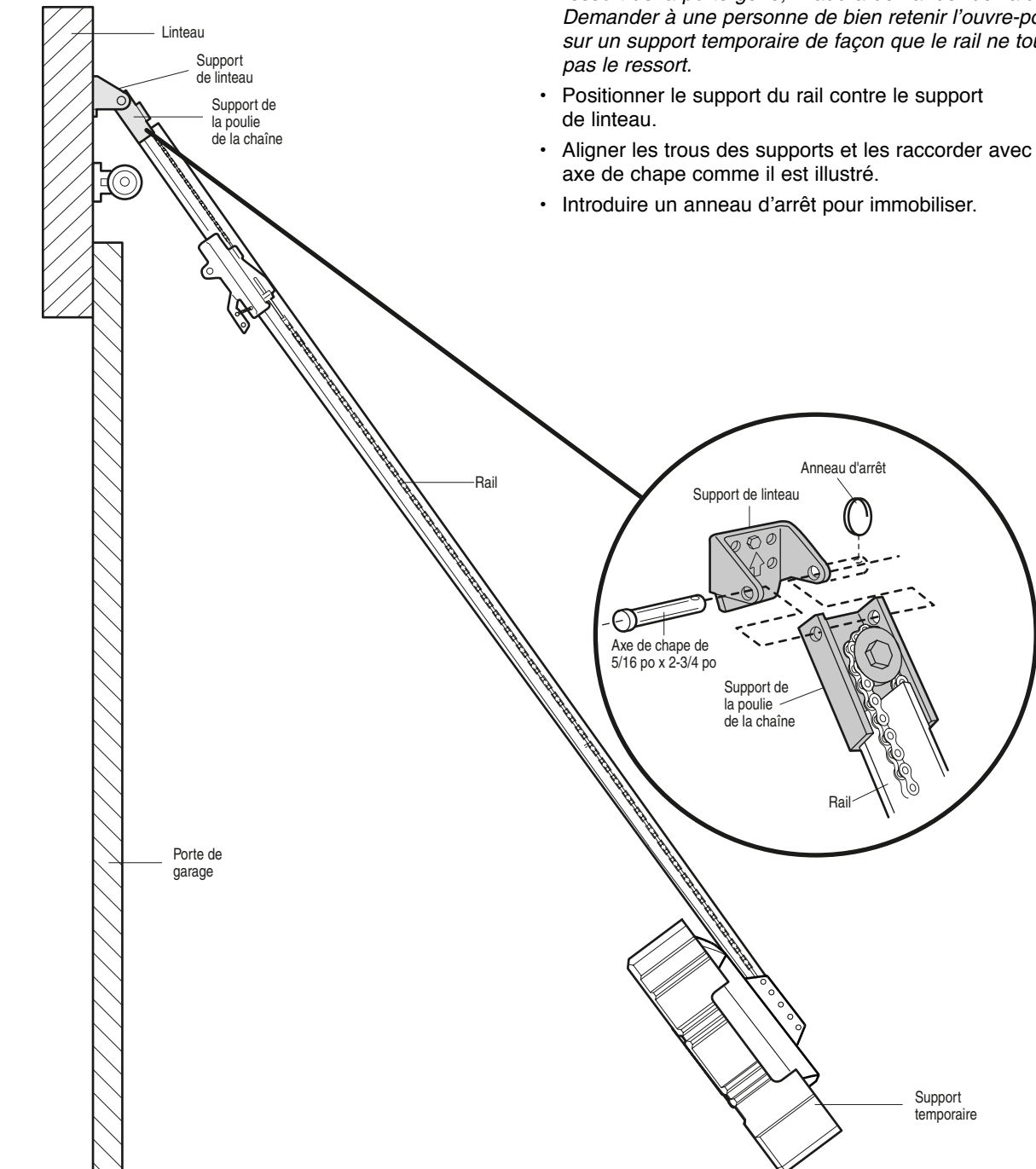
- Prolonger l'axe vertical sur le plafond, comme illustré.
- Centrer le support sur l'axe vertical à 6 pouces (15 mm) au maximum du mur. S'assurer que la flèche est orientée vers le mur. Le support peut être encastré dans le plafond si le dégagement n'est pas suffisant.
- Marquer les trous latéraux. Percer des avant-trous de 3/16 po et fixer fermement le support sur une solive du plafond à l'aide des fixations fournies.



## POSE - 3<sup>e</sup> OPÉRATION

### Fixation du rail sur le support de linteau

- Positionner l'ouvre-porte de garage sur le plancher, juste sous le support de linteau. Utiliser une des boîtes d'emballage pour le protéger. **REMARQUE** : Si le ressort de la porte gêne, il faudra demander de l'aide. Demander à une personne de bien retenir l'ouvre-porte sur un support temporaire de façon que le rail ne touche pas le ressort.
- Positionner le support du rail contre le support de linteau.
- Aligner les trous des supports et les raccorder avec un axe de chape comme il est illustré.
- Introduire un anneau d'arrêt pour immobiliser.



## POSE - 4<sup>e</sup> OPÉRATION

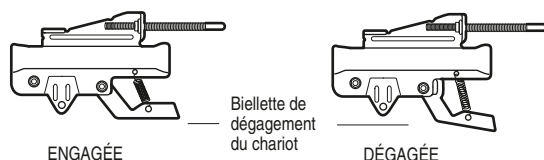
### Positionnement de l'ouvre-porte

Suivre les instructions qui se rapportent à la porte de garage particulière, en se rapportant aux illustrations.

#### PORTE ARTICULÉE OU PORTE RIGIDE AVEC GUIDES

Un 2 x 4 posé à plat convient très bien pour obtenir l'espace qu'il faut entre la porte et le rail.

- Enlever l'emballage en mousse.
- Lever l'ouvre-porte et le faire reposer sur un escabeau. Si l'escabeau n'est pas assez haut, demander de l'aide.
- Ouvrir complètement la porte et mettre un 2 x 4 à plat sur sa partie supérieure, sous le rail.
- Si le panneau ou la section du dessus vient en contact avec le chariot lorsqu'on lève la porte, tirer sur la bielle de dégagement du chariot pour dégager le chariot intérieur du chariot extérieur. Faire glisser le chariot extérieur vers le moteur. Il ne sera pas nécessaire de réassembler le chariot avant la fin de l'opération 12.



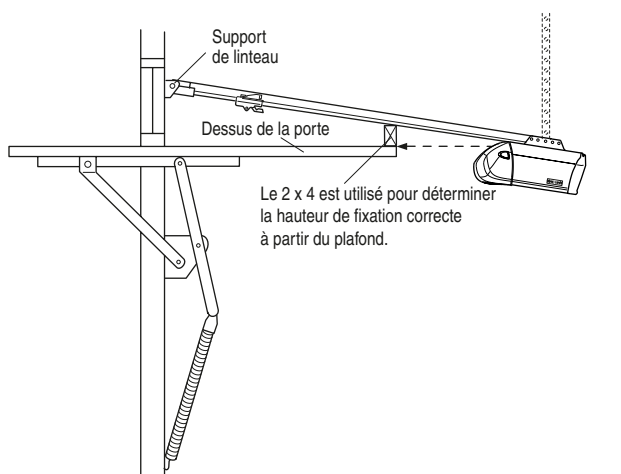
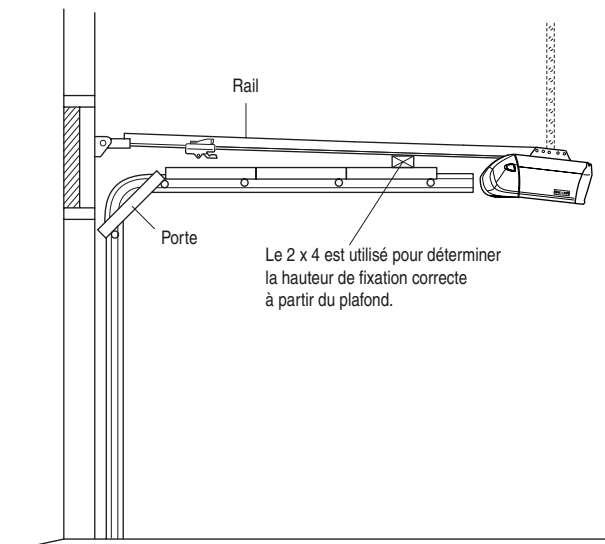
#### PORTE RIGIDE SANS GUIDES

Poser un 2x4 sur son côté très bien pour obtenir l'espace qu'il faut entre la porte et le rail.

- Enlever l'emballage en mousse.
- La porte étant entièrement ouverte et parallèle au sol, mesurer la distance qu'il y a entre le sol et la partie supérieure de la porte.
- En se servant d'un escabeau comme support, lever le haut de l'ouvre-porte à cette hauteur.
- Le haut de la porte doit être à la même hauteur que le dessus du moteur. Ne pas positionner l'ouvre-porte à plus de 4 pouces (10 cm) au-dessus de ce point.

## ATTENTION

Pour prévenir les dommages à la porte de garage, faire reposer le rail de l'ouvre-porte de garage sur un 2 x 4 placé sur la section supérieure de la porte.



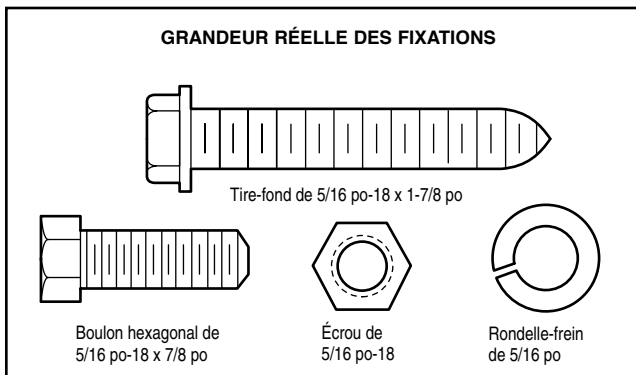
## POSE - 5<sup>e</sup> OPÉRATION

### Accrochage de l'ouvre-porte

Les illustrations représentent trois poses types. La pose peut toutefois être différente. Les supports de suspension doivent être inclinés (Figure 1) pour assurer un support rigide. Dans le cas d'un plafond fini (Figure 2 et Figure 3), fixer une cornière aux solives du plafond avant de poser l'ouvre-porte. La cornière et les fixations ne sont pas fournies.

1. Mesurer, de chaque côté de l'ouvre-porte, la distance entre l'ouvre-porte et les solives.
2. Couper les deux supports de suspension à la longueur requise.
3. Percer des avant-trous de 3/16 pouce dans les solives.
4. Fixer une extrémité de chaque support de suspension sur une solive avec des tire-fond de 5/16 po -18 x 1-7/8 po.
5. Fixer l'ouvre-porte aux supports de suspension à l'aide de boulons hexagonaux de 5/16 po-18 x 7/8 po, de rondelles-frein et d'écrous.
6. S'assurer que le rail est centré au-dessus de la porte (ou dans le prolongement du support de linteau si le support n'est pas centré au-dessus de la porte).
7. Retirer le 2 x 4. Faire fonctionner la porte manuellement. Si la porte frappe le rail, lever le support de linteau.
8. Graisser le dessus et le dessous de la surface du rail où glisse le chariot à l'aide de graisse à rail.

**REMARQUE :** NE PAS mettre l'ouvre-porte sous tension à ce stade.



## ⚠ AVERTISSEMENT

Pour éviter d'éventuelles BLESSURES GRAVES par suite de la chute d'un ouvre-porte de garage, fixer l'ouvre-porte SOLIDEMENT aux solives du garage. On DOIT utiliser des ancrages de béton si les supports sont posés dans la maçonnerie.

Figure 1

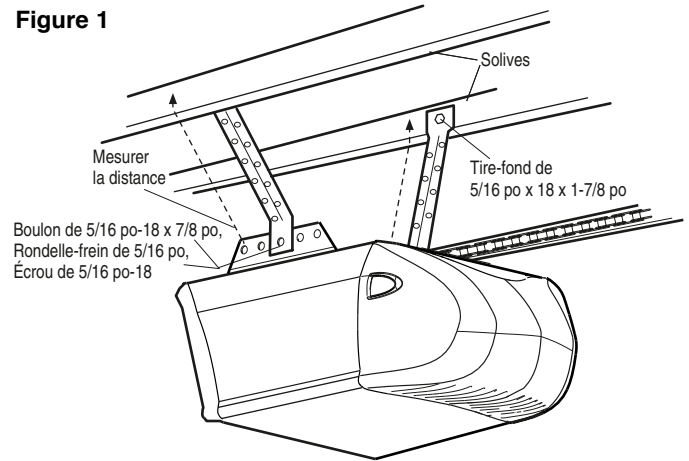


Figure 2

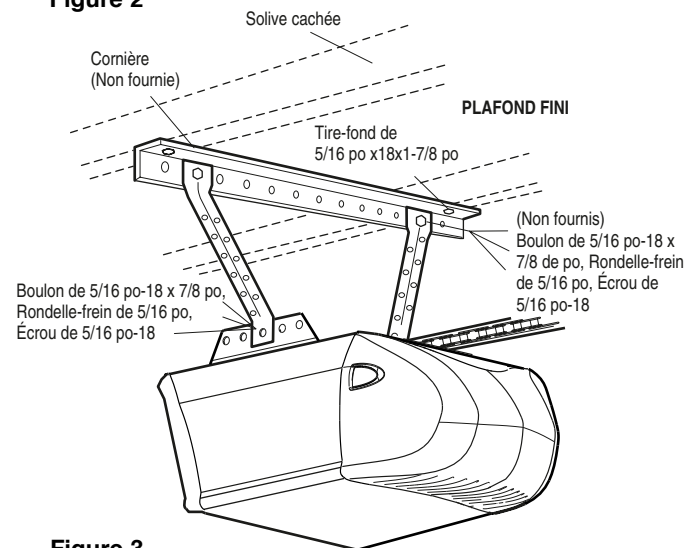
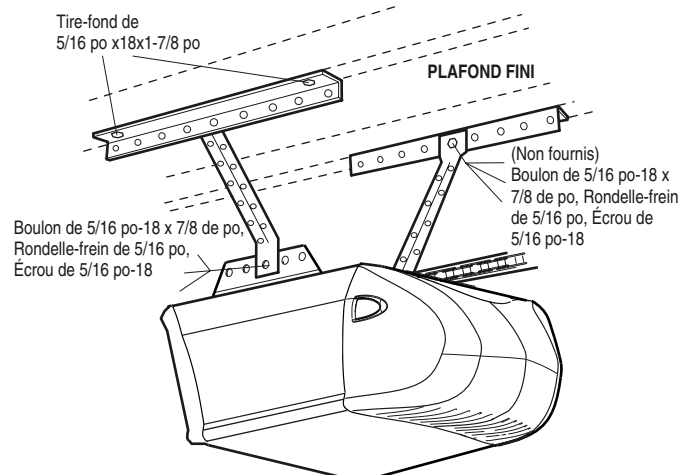


Figure 3





## POSE - 6<sup>e</sup> OPÉRATION

### Pose de la commande de porte

Poser la commande murale dans un endroit où on pourra la voir de la porte, à au moins 5 pieds (1,5 m) du sol, là où les enfants ne pourront pas l'atteindre et loin de toutes les pièces mobiles et fixations de la porte. La surface de montage doit être lisse et plate. Si les murs sont des murs secs, percer des trous de 5/32 pouce (Figure 1) et utiliser les chevilles fournies. Pour les installations précâblées (comme dans la construction d'une maison neuve), on peut la monter sur une boîte simple (Figure 2).

**REMARQUE :** Après l'installation, un témoin lumineux vert derrière le couvercle indiquera un branchement approprié. S'il n'est pas allumé, les fonctions de blocage et d'éclairage ne fonctionneront pas (inverser les fils pour corriger).

- Dénuder 7/16 pouce (11 mm) à chaque extrémité des fils de sonnerie; brancher les fils sur les deux bornes filetées qui se trouvent à l'arrière de la commande murale : blanc à 2; blanc/rouge à 1 (Figure 3).
- Retirer le couvercle blanc en soulevant doucement la fente dans la partie supérieure du couvercle à l'aide d'un petit tournevis à tête plate (Figure 4). Fixer à l'aide de vis autotaraudeuses 6AB x 1-1/4 po (installation standard) ou de vis à métaux 6-32 x 1 po (dans la boîte simple) comme suit :
  - Percer et poser la vis inférieure en laissant 1/8 po (3 mm) faire saillie du mur.
  - Placer le bas de la commande de porte par-dessus la tête de vis et ajuster pour un ajustement serré.
  - Percer et poser la vis supérieure soigneusement afin d'éviter de fissurer le boîtier en plastique. **Ne pas serrer excessivement.**
  - Remettre le couvercle en place en insérant les languettes inférieures et en enclenchant en place.

**REMARQUE :** Le gros bouton-poussoir peut rester coincé si la commande de porte n'est pas montée sur une surface lisse. Si aucun clic ne se fait entendre en appuyant sur le gros bouton-poussoir, desserrer les deux vis de montage ou déplacer la commande de porte à une surface plus lisse.

- (Installation standard seulement) Faire monter le fil de sonnerie le long du mur et du plafond jusqu'au moteur. Utiliser des agrafes isolées pour fixer le fil à plusieurs endroits. Ne pas percer le fil avec une agrafe, ce qui créerait un court-circuit ou un circuit ouvert.
- Enlever 7/16 po (11 mm) d'isolation à l'extrémité du fil de sonnerie. Raccorder le fil de sonnerie aux bornes à raccordement rapide comme suit : le fil blanc à blanc et le fil blanc/rouge à rouge. (Figure 5).

**REMARQUE :** Lors de la connexion de plusieurs commandes de porte à l'ouvre-porte, torsader les fils de même couleur. Insérer les fils dans les trous à raccordement rapide : blanc à blanc et rouge/blanc à rouge.

- Utiliser des punaises ou des agrafes pour fixer en permanence l'étiquette d'avertissement de prise au piège sur le mur près de la commande de porte, et l'étiquette d'essai d'inversion de sécurité/ouverture manuelle bien en vue à l'intérieur de la porte de garage.

**REMARQUE :** Ne PAS brancher et faire fonctionner l'ouvre-porte pour le moment. Le chariot se déplacera jusqu'à la position complètement ouverte mais ne reviendra pas à la position fermée avant que le faisceau détecteur soit branché et correctement aligné.

## AVERTISSEMENT

Pour prévenir d'éventuelles BLESSURES GRAVES ou la MORT par suite d'électrocution :

- S'assurer que le courant est coupé AVANT de poser la commande de porte.
- Raccorder UNIQUEMENT à des fils basse tension 24 V.

Pour prévenir d'éventuelles BLESSURES GRAVES ou la MORT par suite d'une porte de garage qui se ferme :

- Poser la commande de porte en vue de la porte de garage, hors de la portée des enfants à une hauteur minimum de 5 pieds (1,5 m), et à l'écart de toutes les pièces mobiles de la porte.
- Ne JAMAIS laisser des enfants faire fonctionner les boutons-poussoirs de la commande de porte ou les émetteurs de la télécommande, ni jouer avec ceux-ci.
- Actionner la porte UNIQUEMENT lorsqu'on la voit clairement, qu'elle est bien réglée et que rien n'en gêne la course.
- TOUJOURS garder la porte de garage en vue jusqu'à ce qu'elle soit complètement fermée. Ne JAMAIS laisser personne croiser le chemin d'une porte de garage qui se ferme.

### GRANDEUR RÉELLE DES FIXATIONS

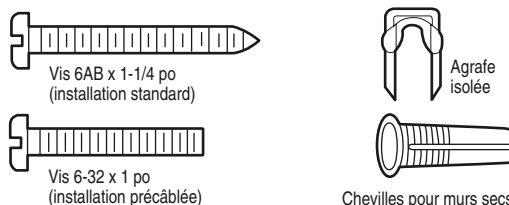
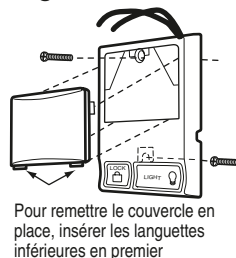
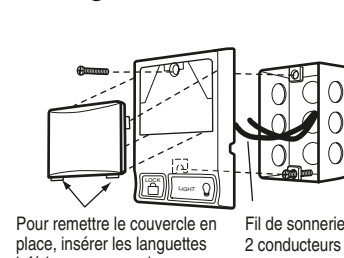


Figure 1 INSTALLATION STANDARD

Figure 2 INSTALLATION PRÉ-CABLÉE



Pour remettre le couvercle en place, insérer les languettes inférieures en premier



Pour remettre le couvercle en place, insérer les languettes inférieures en premier  
Fil de sonnerie à 2 conducteurs dans la boîte simple 24 V

Figure 3 PANNEAU COMMANDE DE PORTE (ARRIÈRE)

Figure 4 RETIRER LE COUVERCLE

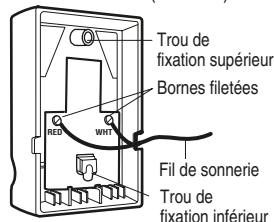
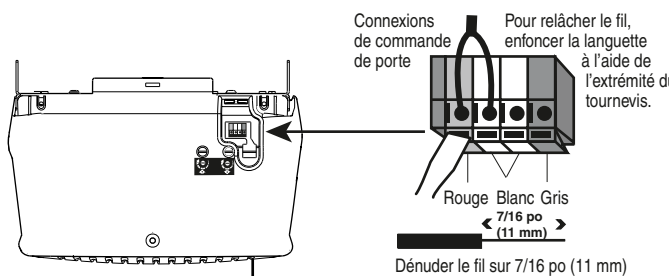


Figure 5



## POSE - 7<sup>e</sup> OPÉRATION

### Pose des l'ampoule

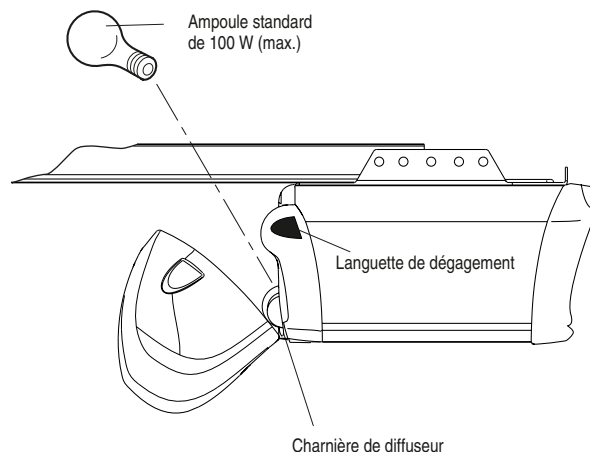
- Appuyer sur les languettes de dégagement des deux côtés du diffuseur. Faire pivoter le diffuseur délicatement vers l'arrière et le bas jusqu'à ce que la charnière du diffuseur soit complètement ouverte. Ne pas retirer le diffuseur.
- Visser une ampoule de 100 watts maximum dans chaque douille. La lumière s'allumera et restera allumée pendant environ 4-1/2 minutes aussitôt que le courant sera établi. La lumière s'éteindra ensuite.
- Inverser la procédure pour fermer le diffuseur.
- Si l'ampoule brûle prématurément en raison de la vibration, remplacer-la par une ampoule d'ouvre-porte de garage.

**REMARQUE :** Utiliser uniquement une ampoule standard. L'utilisation d'une ampoule à col court ou d'une ampoule spécialisée peut causer une surchauffe du panneau d'extrémité ou de la douille.

## ATTENTION

Pour éviter toute SURCHAUFFE éventuelle du panneau d'éclairage,

- NE PAS utiliser d'ampoules à col court ou de forme spéciale.
- NE PAS utiliser d'ampoules halogène. Utiliser UNIQUEMENT des ampoules incandescentes.



## POSE - 8<sup>e</sup> OPÉRATION

### Pose de la corde et de la poignée de déclenchement d'urgence

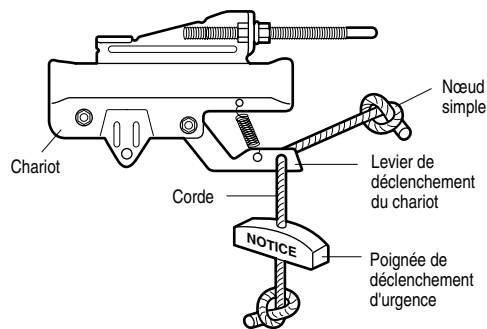
- Faire passer une extrémité de la corde dans le trou supérieur de la poignée rouge de façon que le mot « NOTICE » puisse être lu à l'endroit. Fixer à l'aide d'un nœud simple à au moins 1 po de l'extrémité de la corde, pour empêcher le glissement.
- Passer l'autre extrémité de la corde dans le trou du levier de déclenchement du chariot extérieur.
- Ajuster la longueur de la corde de façon que la poignée soit à environ 6 pieds (1,83 m) du sol. S'assurer que la corde et la poignée ne risquent pas de toucher au capot d'aucun véhicule pour éviter qu'elle s'emmêle. Fixer la corde à l'aide d'un nœud simple.

**REMARQUE :** Si la corde doit être coupée, brûler légèrement l'extrémité coupée pour empêcher qu'elle ne s'effiloche.

## ⚠ AVERTISSEMENT

Pour prévenir d'éventuelles BLESSURES GRAVES ou la MORT par suite de la chute d'une porte de garage :

- Si possible, utiliser la poignée de déclenchement d'urgence pour dégager le chariot UNIQUEMENT lorsque la porte de garage est FERMÉE. Des ressorts faibles ou brisés ou une porte déséquilibrée peuvent causer la chute rapide et/ou imprévue d'une porte ouverte.
- Ne JAMAIS utiliser la poignée de déclenchement d'urgence à moins que l'entrée de garage ne soit dégagée (absence de personnes et d'obstacle).
- Ne JAMAIS utiliser la poignée pour ouvrir ou fermer la porte. Il y a risque de chute si le nœud de la corde se défait.



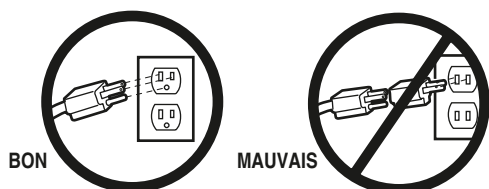
## POSE - 9<sup>e</sup> OPÉRATION

### Exigences électriques

**Pour éviter les difficultés pendant la pose, ne pas faire fonctionner l'ouvre-porte pour le moment.**

Afin de minimiser les risques de chocs électriques, le cordon d'alimentation de l'ouvre-porte de garage comporte une fiche à trois broches, dont une de mise à la terre.

Cette fiche ne peut être branchée que dans une prise de courant mise à la terre. Si la fiche ne peut pas être branchée dans la prise de courant qui existe, s'adresser à un électricien qualifié pour faire poser une prise de courant adéquate.



**Si les codes municipaux exigent une installation électrique permanente, procéder comme suit.**

Pour procéder à un branchement permanent par le trou de 7/8 po pratiqué au-dessus du moteur :

- Retirer les vis du couvercle du moteur et mettre le couvercle de côté.
- Débrancher le cordon à 3 fils.
- Brancher le fil noir (courant secteur) sur la vis de la borne en laiton; le fil blanc (neutre) sur la vis de la borne en argent, puis le fil de terre sur la vis verte de terre.

**L'ouvre-porte doit obligatoirement être mis à la terre.**

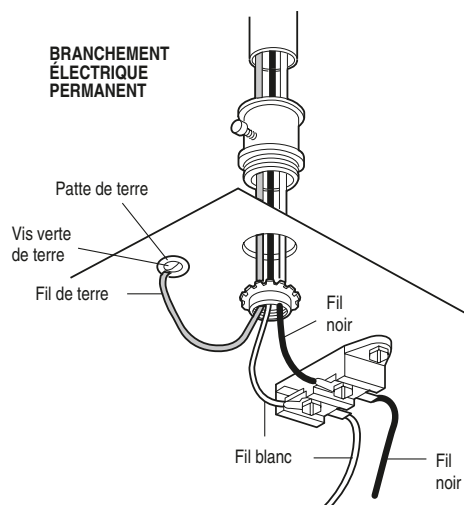
- Reposer le couvercle.

**Pour éviter les difficultés pendant la pose, ne pas faire fonctionner l'ouvre-porte pour le moment.**

## AVERTISSEMENT

Pour prévenir d'éventuelles BLESSURES GRAVES ou la MORT par suite d'électrocution ou d'un incendie :

- S'assurer que l'ouvre-porte est hors tension et couper le courant au circuit AVANT de retirer le couvercle pour procéder à un branchement permanent.
- La pose et le câblage de la porte de garage DOIVENT être conformes à tous les codes électriques et de construction locaux.
- Ne JAMAIS utiliser de cordon de rallonge ou d'adaptateur bifilaire ni modifier la fiche de quelque manière que ce SOIT pour l'insérer dans la prise. S'assurer que l'ouvre-porte est mis à la terre.



## POSE - 10<sup>e</sup> OPÉRATION

### Pose du Système Protector®

Les détecteurs inverseurs de sécurité doivent être bien branchés et bien alignés avant que l'ouvre-porte de garage puisse fermer la porte.

#### INFORMATIONS IMPORTANTES AU SUJET DU DÉTECTEUR INVERSEUR DE SÉCURITÉ

Lorsqu'il est bien raccordé et aligné, le détecteur détecte un obstacle dans le parcours de son faisceau électronique. La cellule émettrice (avec un témoin lumineux ambre) transmet un faisceau de lumière invisible à la cellule réceptrice (avec un témoin lumineux vert). Si un obstacle brise le faisceau de lumière pendant que la porte se ferme, la porte s'arrêtera et remontera jusqu'à la position entièrement ouverte, et les lumières de l'ouvre-porte clignoteront 10 fois.

Les unités doivent être posées à l'intérieur du garage de manière à ce que la cellule émettrice et la cellule réceptrice se fassent face l'une l'autre de part et d'autre de la porte, à pas plus de 6 po (15 cm) au-dessus du sol. L'une ou l'autre peut être posée à gauche ou à droite de la porte pourvu que le soleil n'éclaire jamais directement la cellule réceptrice.

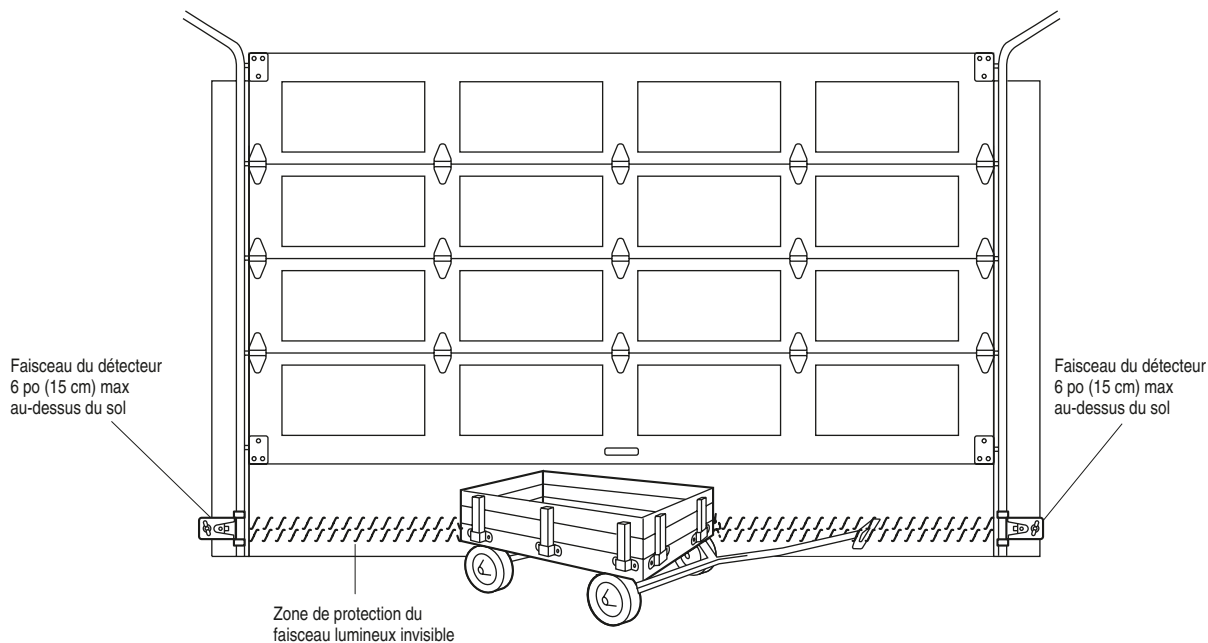
Les supports de montage sont conçus en vue de leur fixation par pince sur le guide des portes de garage articulées sans fixations supplémentaires.

## ⚠ AVERTISSEMENT

- S'assurer que l'ouvre-porte de garage est hors tension AVANT de poser le détecteur inverseur de sécurité.
- Pour prévenir des BLESSURES GRAVES ou la MORT par suite d'une porte de garage qui se ferme :
  - Raccorder et aligner correctement le détecteur inverseur de sécurité. Ce dispositif de sécurité requis NE DOIT PAS être désactivé.
  - Poser le détecteur inverseur de sécurité de manière à ce que le faisceau NE SOIT PAS À UNE HAUTEUR de plus de 6 po (15 cm) au-dessus du plancher du garage.

Si les unités doivent être montées sur le mur, les supports doivent être fixés fermement à une surface solide telle que la charpente du mur. On peut se procurer des supports de rallonge (se reporter à la section Accessoires), au besoin. Si la pose se fait dans une construction en maçonnerie, ajouter un morceau de bois à chaque endroit pour éviter de percer des trous supplémentaires dans la maçonnerie si un repositionnement est nécessaire.

Il ne doit y avoir aucun obstacle sur le parcours du faisceau de lumière invisible. Aucune partie de la porte de garage (ni les guides, les ressorts, les charnières, les rouleaux ou autres fixations de la porte) ne doit interrompre le faisceau pendant que la porte se ferme.



Faisant face à la porte depuis l'intérieur du garage

## POSE DES SUPPORTS

### S'assurer que l'ouvre-porte est hors tension.

Poser et aligner les supports de manière à ce que les détecteurs se fassent face l'un l'autre de part et d'autre de la porte du garage, le faisceau n'étant pas à une hauteur de plus de 6 po (15 cm) au-dessus du sol. Ils peuvent être posés de trois façons, comme suit.

#### Pose aux guides de la porte de garage (mode préféré) :

- Faire glisser les bras courbés par-dessus le bord arrondi de chaque guide de porte, les bras courbés étant dirigés vers la porte. Enclencher en place contre le côté du guide. Il doit reposer à plat, avec le rebord embrassant le bord arrière du guide, comme illustré à la Figure 1.

Si votre guide de porte ne supporte pas solidement le support, une pose murale est recommandée.

#### Pose murale (Figure 2 et 3) :

- Placer le support contre le mur, les bras courbés étant dirigés vers la porte. S'assurer qu'il y a un dégagement suffisant et qu'aucun obstacle n'est dans le parcours du faisceau du détecteur.
- Si une profondeur supplémentaire est nécessaire, on peut employer un support de rallonge (se reporter à la section accessoires) ou des blocs de bois.
- Utiliser les trous de montage de support comme gabarits pour positionner et percer deux avant-trous de 3/16 po de diamètre sur le mur de chaque côté de la porte, à une hauteur maximale de 6 po (15 cm) du sol.
- Fixer les supports au mur à l'aide de tire-fond (non fournis).
- Si des supports de rallonge ou des blocs de bois sont employés, ajuster les ensembles droit et gauche à la même distance vers l'extérieur depuis la surface de montage. S'assurer qu'il n'y a aucune obstacle de ferrure de porte.

#### Pose au sol (Figure 4) :

- Utiliser des blocs de bois ou des supports de rallonge (se reporter à la section accessoires) pour élever les supports de détecteur de manière à ce que les diffuseurs ne soient pas à plus de 6 po (15 cm) au-dessus du sol.
- Mesurer soigneusement et placer les ensembles droit et gauche à la même distance vers l'extérieur depuis le mur. S'assurer qu'il n'y a aucune obstruction de ferrure de porte.
- Fixer au sol à l'aide des ancrages de béton, comme illustré.

Figure 1 MONTAGE SUR GUIDES DE PORTE (CÔTÉ DROIT)

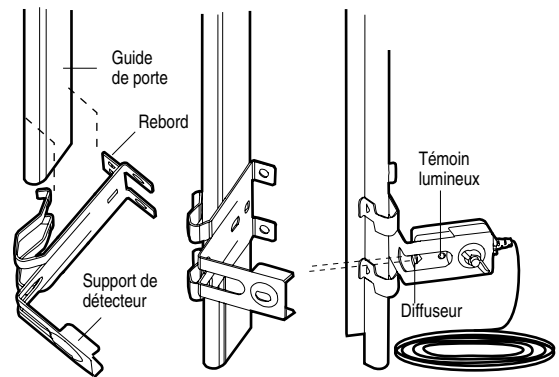


Figure 2

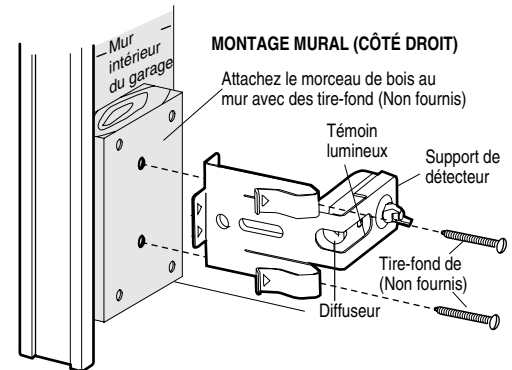


Figure 3

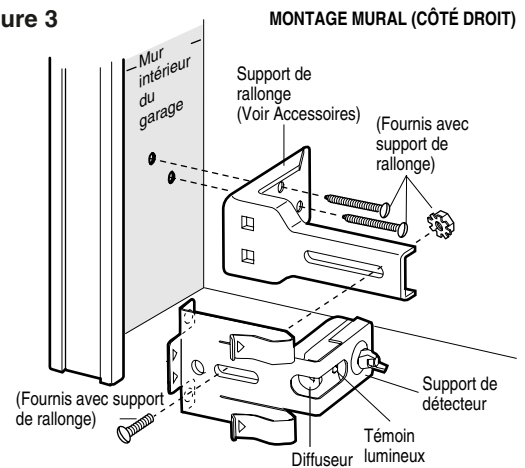
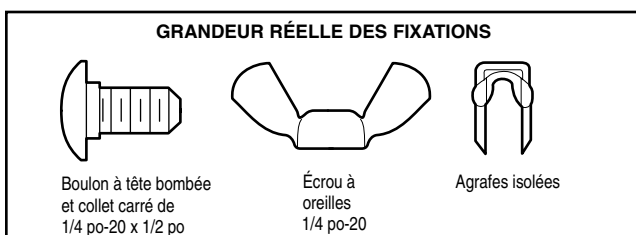
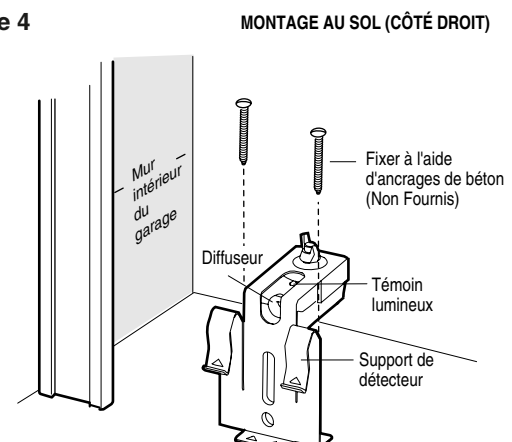


Figure 4



## MONTAGE ET CÂBLAGE DES DÉTECTEURS INVERSEURS

- Faire glisser un boulon à tête bombée et collet carré de 1/4 po-20 x 1/2 po dans la fente de chaque détecteur. Utiliser des écrous à oreilles pour fixer les détecteurs aux supports, avec les diffuseurs dirigés l'un vers l'autre de part et d'autre de la porte. S'assurer que le diffuseur n'est pas obstrué par une rallonge de support (Figure 5).
- Serrer les écrous à oreilles à la main.
- Acheminer les fils des deux détecteurs à l'ouvre-porte. Utiliser des agrafes isolées pour fixer le fil au mur et au plafond.
- Enlever 7/16 po (11 mm) d'isolation de chaque série de fils. Séparer les fils blanc et blanc/noir suffisamment pour leur raccordement aux vis des bornes à raccordement rapide de l'ouvre-porte. Torsader les fils de même couleur. Insérer les fils dans les trous à raccordement rapide : blanc à blanc et noir/blanc à gris (Figure 6).

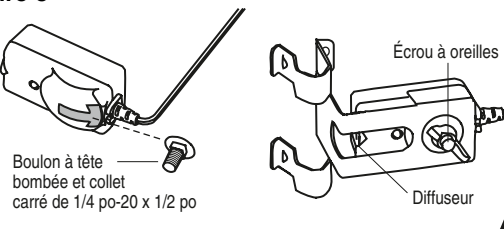
### ALIGNEMENT DES DÉTECTEURS INVERSEURS

- Brancher l'ouvre-porte dans la prise de courant. Les témoins des cellules émettrice et réceptrice s'allumeront et *resteront allumés* si les connexions électriques sont bonnes et si l'alignement est bon.

Le témoin lumineux ambre de la cellule *émettrice* s'allumera indépendamment de l'alignement ou de l'obstruction. Si le témoin lumineux vert de la *cellule réceptrice* est éteint, faible ou clignotant (et que la trajectoire du faisceau lumineux invisible n'est pas obstruée), aligner les deux détecteurs.

- Desserrer l'écrou de la cellule *émettrice* et ajuster de façon à ce qu'elle vise directement la cellule réceptrice. Serrer l'écrou.
- Desserrer l'écrou de la cellule *réceptrice* et régler le détecteur jusqu'à ce qu'il reçoive le faisceau de la cellule émettrice. Lorsque le témoin vert *reste allumé*, serrer l'écrou.

Figure 5

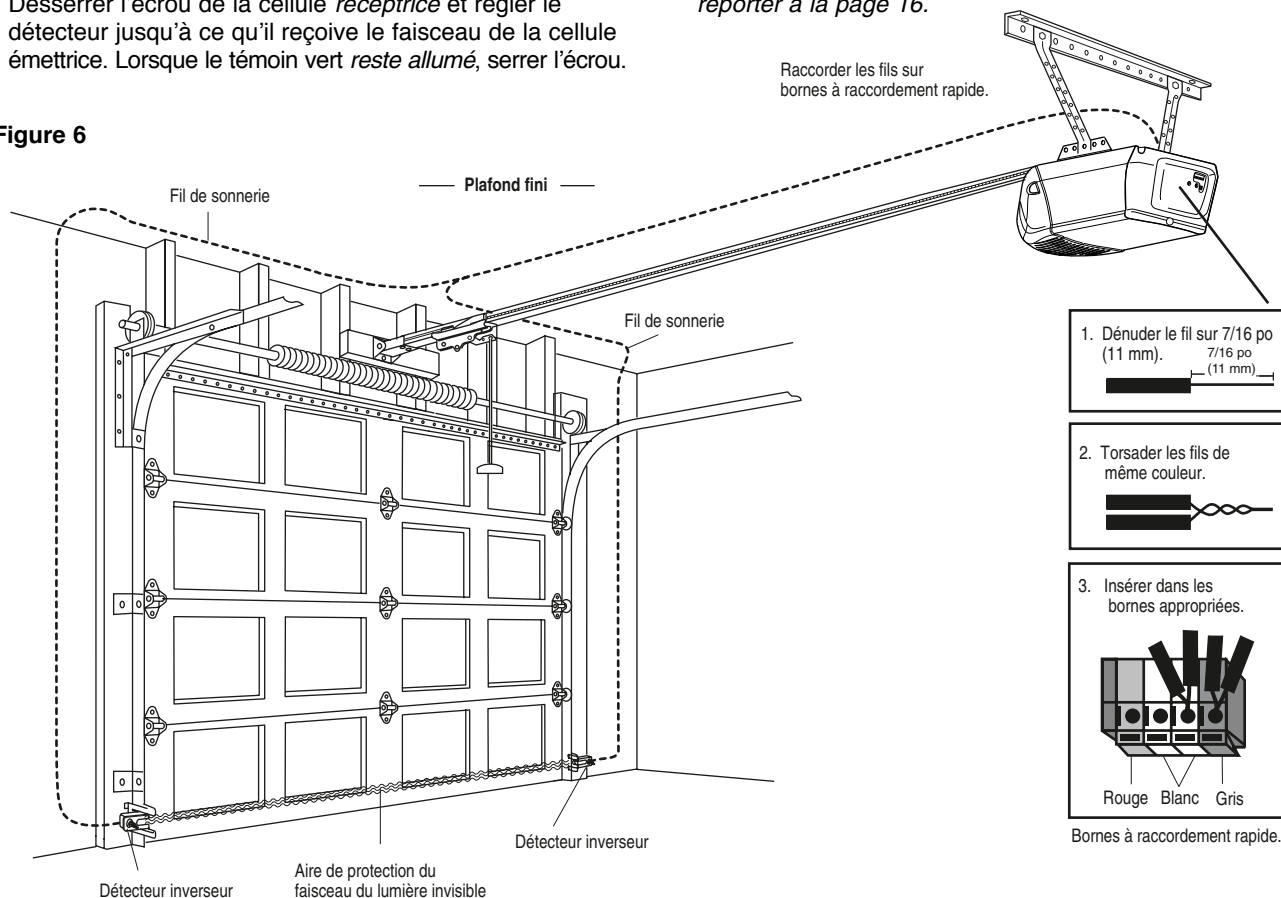


### DÉPANNAGE DES DÉTECTEURS INVERSEURS DE SÉCURITÉ

1. Si, lorsque la pose est terminée, le témoin de la cellule émettrice ne reste pas constamment allumé après l'installation, s'assurer :
  - Que le courant électrique parvient bien à l'ouvre-porte.
  - Qu'il n'y a pas de court-circuit dans les fils blanc ou blanc/noir. Ces court-circuits peuvent se produire sous les agrafes ou à la hauteur des branchements des bornes filetées.
  - Le câblage est bien fait entre les détecteurs et l'ouvre-porte.
  - Qu'il n'y a pas de fil brisé.
2. Si le témoin de la cellule émettrice est allumé alors que le témoin de la cellule réceptrice est éteint :
  - Vérifier l'alignement.
  - Vérifier s'il y a un fil brisé dans la cellule réceptrice.
3. Si le témoin de la cellule réceptrice est faible, aligner l'un ou l'autre des détecteurs.

**REMARQUE :** Lorsque le faisceau invisible est obstrué ou mal aligné quand la porte se ferme, cette dernière remontera. Si la porte est déjà ouverte, elle ne se fermera pas. La lumière de l'ouvre-porte clignotera 10 fois. Se reporter à la page 16.

Figure 6



## POSE - 11<sup>e</sup> OPÉRATION

### Fixation du Support de Porte

Suivre les instructions qui correspondent au type de porte, comme il est illustré ci-dessous ou à la page suivante.

**Un renfort horizontal doit être suffisamment long pour être fixé à deux ou trois supports verticaux. Un renfort vertical doit couvrir la hauteur du panneau supérieur.**

La figure 1 illustre un morceau de cornière utilisé en tant que renfort horizontal. Pour le renfort vertical, 2 morceaux de cornière sont utilisés de façon à créer un support en forme de U. La meilleure solution consiste à s'adresser au fabricant de la porte de garage pour obtenir un nécessaire de renforts de porte afin de pouvoir poser l'ouvre-porte de garage.

**REMARQUE :** Bon nombre de nécessaires de renforts de porte prévoient la fixation directe de l'axe de chape et de la biellette de porte. Le support de porte est alors inutile; procéder à l'étape 12.

### PORTES ARTICULÉES

1. Centrer le support de la porte avec l'axe vertical précédemment tracé et utilisé pour la pose du support de linteau. Il convient de noter le positionnement correct de « UP » (vers le haut), comme estampillé à l'intérieur du support.
2. Positionner le bord supérieur du support de 2 à 4 pouces (5 cm - 10 cm) plus bas que le bord supérieur de la porte, OU directement sous toute solive à travers le haut de la porte.
3. Marquer, percer des trous et poser comme indiqué ci-après, selon la construction de votre porte :

**Portes métalliques ou légères utilisant une ferrure angulaire verticale entre le support du panneau de porte et le support de porte :**

- Percer des trous de fixation de 3/16 po. Fixer le support de porte à l'aide des deux vis autotaraudeuses de 1/4 po-14 x 5/8 po. (Figure 2A)
- On peut également utiliser deux boulons de 5/16 po, des rondelles de blocage et des écrous (non fournis). (Figure 2B)

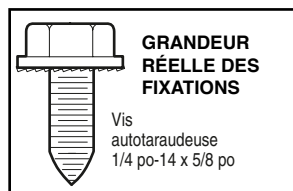
**Portes métalliques, isolées ou légères renforcées à l'usine :**

- Percer des trous de fixation de 3/16 po. Fixer le support de porte à l'aide des vis autotaraudeuses (Figure 3).

**Portes en bois :**

- Utiliser les trous supérieurs et inférieurs ou latéraux de support de porte. Percer des trous de 5/16 po à travers la porte et fixer le support à l'aide de boulons à tête bombée et à collet carré de 5/16 po x 2 po, des rondelles de blocage et des écrous (non fournis) (Figure 4).

**REMARQUE :** Les vis autotaraudeuses de 1/4 po-14 x 5/8 po ne sont pas prévues pour être utilisées sur des portes en bois.



## ATTENTION

Les portes de garage en fibre de verre, en aluminium ou en acier léger ont **BESOIN** d'être renforcées AVANT la fixation du support de porte. Il est conseillé de s'adresser au fabricant de la porte pour obtenir un nécessaire de renforts.

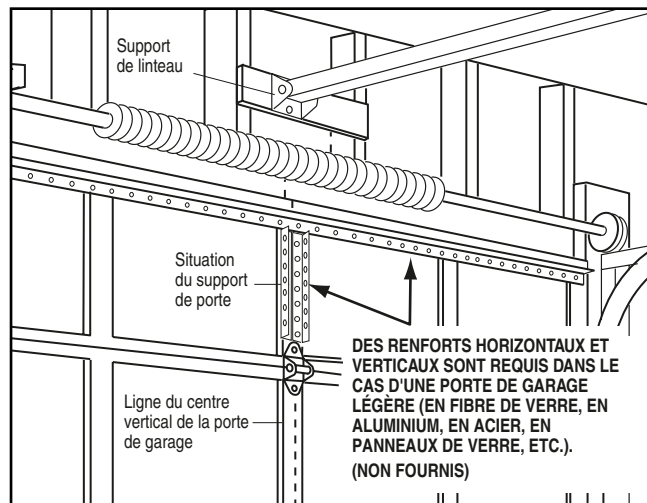


Figure 1

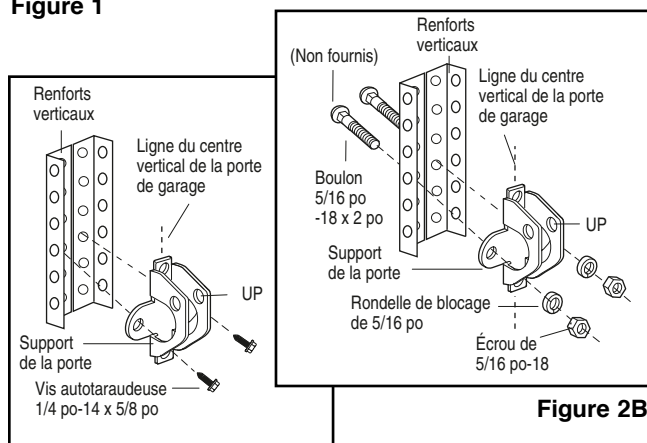


Figure 2A

Figure 2B

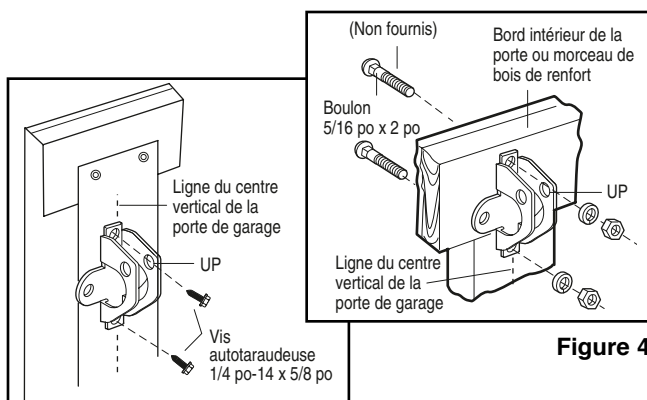


Figure 3

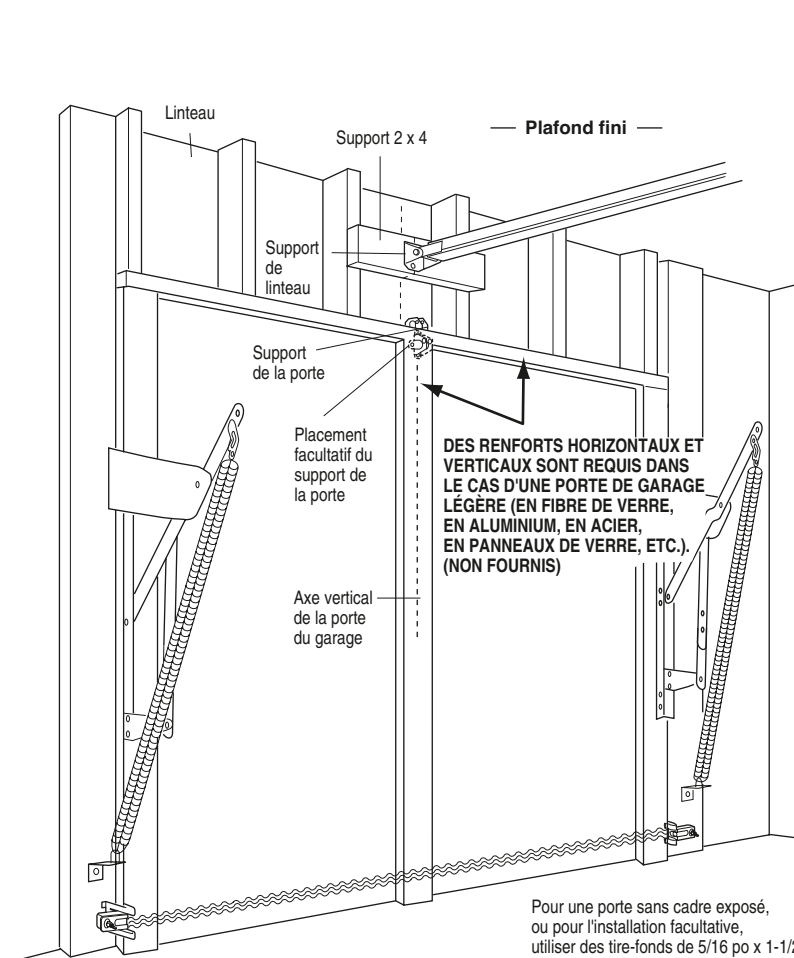
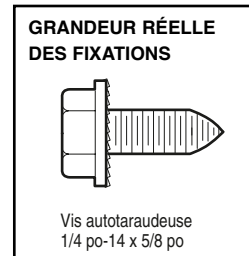
Figure 4

## PORTES RIGIDES

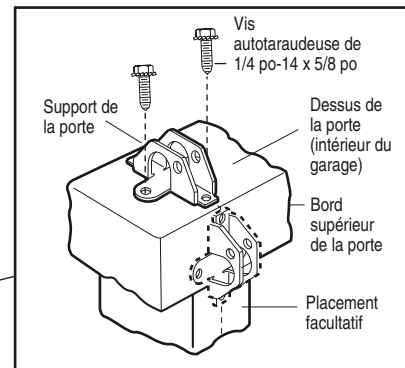
Prière de lire et de suivre les avertissements et les instructions de renforcements à la page précédente. Ils s'appliquent également aux portes rigides.

- Centrer le support de porte sur le dessus de la porte, en l'alignant avec le support de linteau, comme il est illustré. Repérer soit les trous de gauche et de droite, soit les trous du haut et du bas.
- **Portes métalliques** : Percer des avant-trous de 3/16 pouce, puis fixer le support de la porte à l'aide des vis autotaraudeuses de 1/4 po-14 x 5/8 po fournies.
- **Portes en bois** : Percer des trous de 5/16 po et utiliser des boulons à tête bombée et à collet carré de 5/16 po x 2 po, des rondelles de blocage et des écrous (non fournis) ou des tire-fond de 5/16 po x 1-1/2 po (non fournis) suivant les besoins particuliers de l'installation.

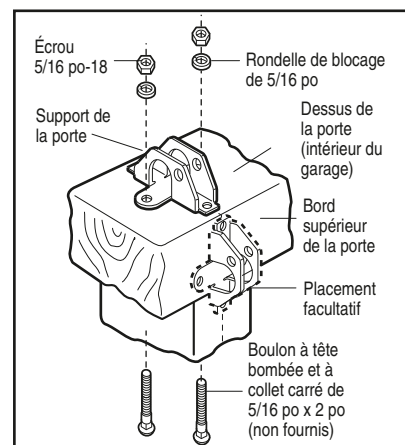
**REMARQUE** : Le support de porte peut être posé sur le bord supérieur de la porte, si nécessaire pour une installation particulière. (Se reporter au dessin du positionnement facultatif à la ligne pointillée.)



Pour une porte sans cadre exposé, ou pour l'installation facultative, utiliser des tire-fonds de 5/16 po x 1-1/2 po (non fournis) pour fixer le support de la porte.



PORTE MÉTALLIQUE



PORTE EN BOIS



## POSE - 12<sup>e</sup> OPÉRATION

### Fixation de la biellette au chariot

Suivre uniquement les instructions se reportant à votre type de porte, comme illustré ci-dessous et à la page suivante.

#### PORTE ARTICULÉE SEULEMENT

- S'assurer que la porte du garage est complètement fermée. Tirer la poignée de déclenchement d'urgence pour détacher le chariot extérieur du chariot intérieur. Reculer le chariot extérieur (en l'éloignant de la porte) d'environ 2 pouces (5 cm), comme illustré aux figures 1, 2 et 3.
- **Figure 1 :**
  - Fixer la biellette droite sur le chariot extérieur à l'aide d'un axe de chape de 5/16 po x 1 po. Faire tenir l'axe de chape en place avec un anneau d'arrêt.
  - Fixer la biellette courbée au support de la porte de la même manière, à l'aide d'un axe de chape de 5/16 po x 1-1/4 po.
- **Figure 2 :**
  - Rapprocher les biellettes et aligner les trous. Choisir les trous les plus éloignés étant donné qu'ils permettent aux biellettes d'être plus solides.
- **Figure 3, Méthode alternative :**
  - Si les trous de la biellette courbée sont trop hauts, démonter la biellette droite et couper 6 po (15 cm) du bout. Refixer la biellette droite sur le chariot en orientant la partie coupée vers le bas, comme illustré.
  - Rapprocher les biellettes.
  - Aligner deux paires de trous et raccorder les deux biellettes avec les boulons, les rondelles-frein et les écrous.
- Tirer sur la poignée de déclenchement d'urgence en direction de l'ouvre-porte à un angle de 45° de façon que la biellette de dégagement du chariot soit horizontale. Passer à la section « Réglages », 1<sup>re</sup> opération, page 23. Le chariot se réenclenchera automatiquement lorsque l'ouvre-porte fonctionnera.

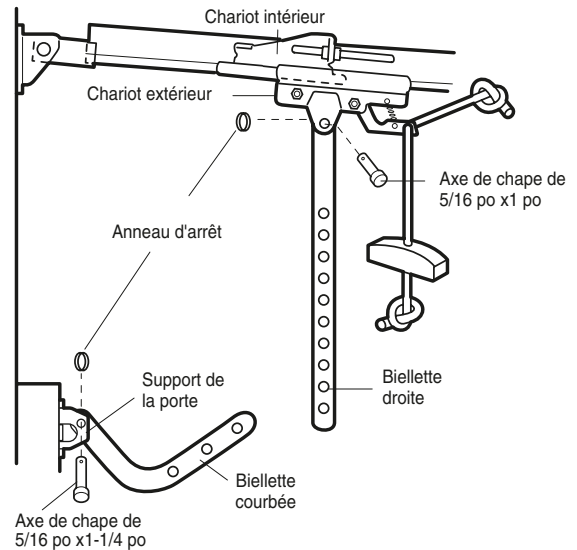


Figure 1

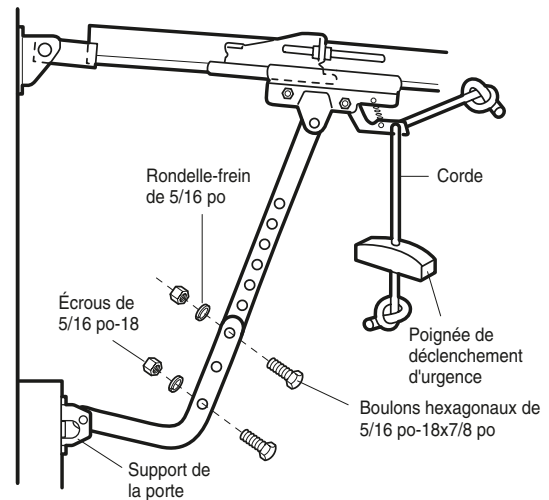


Figure 2

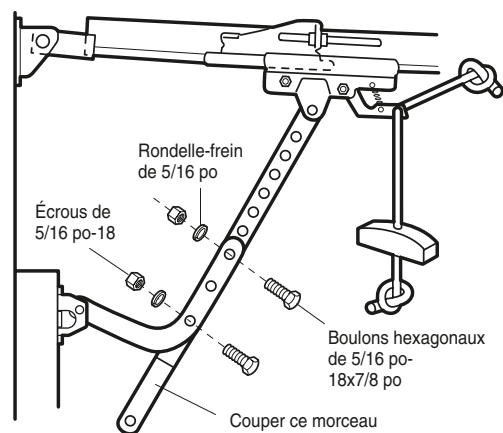
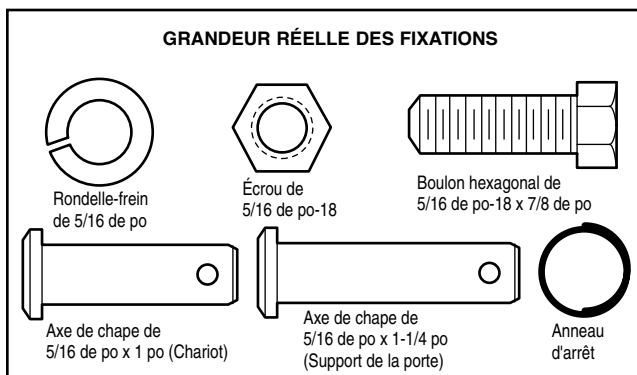


Figure 3

## POUR TOUTES LES PORTES RIGIDES

### 1. Assemblage des biellettes, Figure 4 :

- Assembler les biellettes droite et courbée à leur plus grande longueur (2 ou 3 trous se chevauchant).
- La porte étant fermée, raccorder la biellette droite au support de la porte à l'aide d'un axe de chape de 5/16 po x 1-1/4 po.
- Faire tenir l'axe de chape avec un anneau d'arrêt.

### 2. Méthodes de réglage, Figure 5 :

- Dans le cas d'une porte rigide, la course doit être réglée avant de raccorder la biellette au chariot. Les vis de réglage de la course sont situées sur le panneau du côté gauche, comme illustré à la page 23. Suivre les méthodes de réglage détaillées ci-dessous.
- **Réglage de l'ouverture de la porte : diminuer la course d'ouverture**
  - Tourner la vis de réglage d'ouverture « UP » de 4 tours en sens antihoraire.
  - Appuyer sur le gros bouton-poussoir de la commande de porte. Le chariot se déplacera jusqu'à la position entièrement ouverte.
  - À la main, ouvrir complètement la porte (parallèle au plancher), puis soulever la biellette jusqu'au chariot. La biellette doit toucher le chariot juste derrière son trou de raccordement. Se reporter à « Chariot entièrement ouvert/positions de la biellette » dans l'illustration. Si la biellette est trop courte, diminuer la course d'ouverture. Un tour complet de la vis de réglage correspond à 2 pouces (5 cm) de course.
- **Réglage de la fermeture de la porte : diminuer la course de fermeture**
  - Tourner la vis de réglage de fermeture « DOWN » de 4 tours complets en sens horaire.
  - Appuyer sur le bouton-poussoir de la commande de porte. Le chariot se déplacera à la position de porte complètement fermée.

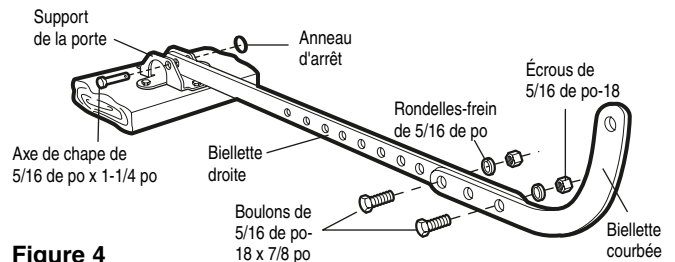


Figure 4

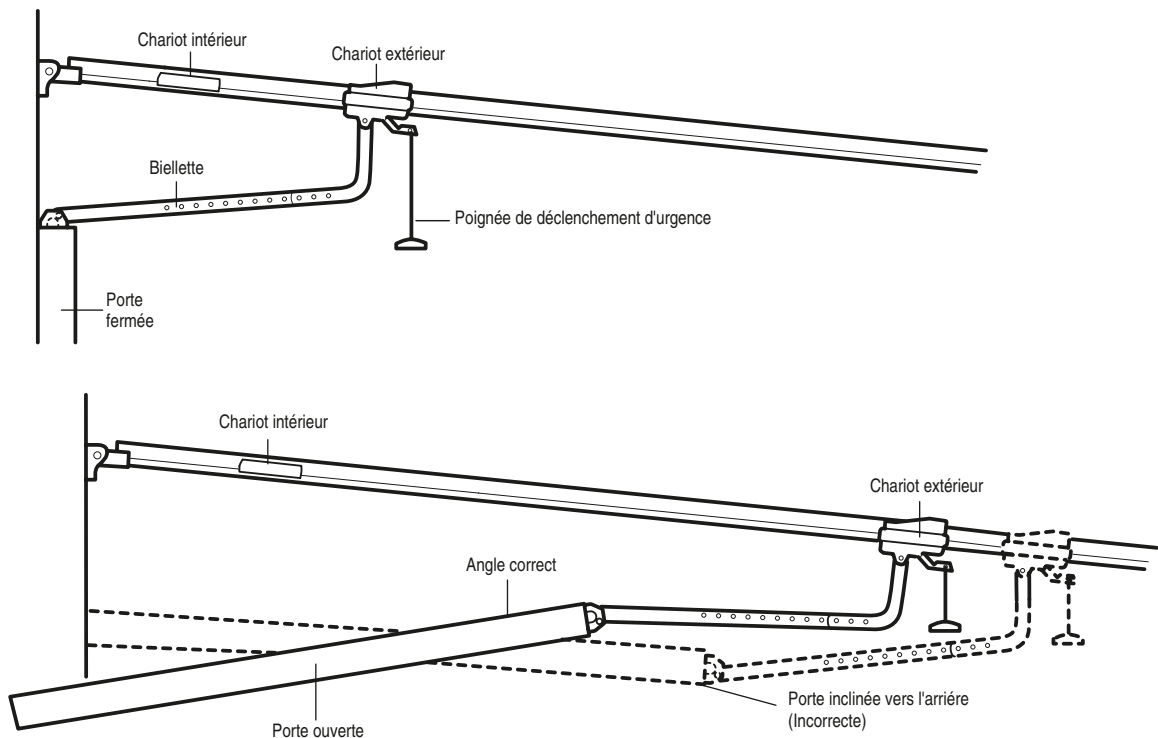
- À la main, fermer complètement la porte, puis soulever la biellette jusqu'au chariot. La biellette doit toucher le chariot, juste devant son trou de raccordement. Se reporter à « Chariot complètement fermé/positions de la biellette » dans l'illustration. Si la biellette arrive plus loin que le trou de raccordement, raccourcir la course de fermeture. Un tour complet de la vis de réglage correspond à 2 pouces (5 cm) de course.

### 3. Raccordement de la biellette sur le chariot :

- La porte étant fermée, raccorder la biellette courbée au trou de raccordement du chariot avec le dernier axe de chape. Il sera peut-être nécessaire de soulever légèrement la porte pour procéder au raccordement.
- Faire tenir l'axe de chape avec un anneau d'arrêt.
- Faire faire un cycle de fonctionnement complet à l'ouvre-porte. Si, en position complètement ouverte, la porte est légèrement inclinée vers l'arrière, comme illustré, diminuer la course de montée « UP » jusqu'à ce que la porte soit parallèle au sol.

**REMARQUE :** En réglant la course d'ouverture à la page suivante, la porte ne doit pas être inclinée vers l'arrière lorsqu'elle est entièrement ouverte, comme illustré ci-dessous. Une légère inclinaison arrière causera une résistance inutile ou un fonctionnement saccadé, ou les deux lorsque la porte est ouverte ou fermée depuis la position entièrement ouverte.

Figure 5



## RÉGLAGES - 1<sup>re</sup> OPÉRATION

### Réglage des courses d'ouverture et de fermeture

Le réglage de ces courses fixe les points où la porte s'arrêtera lors de son ouverture ou de sa fermeture.

Pour faire fonctionner l'ouvre-porte, appuyer sur le bouton-poussoir de la commande de porte. Faire faire un cycle complet à l'ouvre-porte.

- La porte s'ouvre-t-elle et se ferme-t-elle complètement?
- Est-ce que la porte reste fermée sans remonter involontairement lorsqu'elle est complètement fermée?

Si la réponse est oui à ces deux questions, aucun réglage de la course n'est requis à moins que le test d'inversion n'échoue (se reporter à la 3<sup>e</sup> opération, page 25 des réglages).

Les procédures suivantes indiquent les réglages à effectuer dans chaque cas. Lire les procédures attentivement avant de procéder à la 2<sup>e</sup> opération des réglages. Utiliser un tournevis pour procéder aux réglages. **Faire faire un cycle complet à l'ouvre-porte après chaque réglage.**

**REMARQUE :** Un fonctionnement répété de l'ouvre-porte pendant le réglage risque de faire surchauffer le moteur et de provoquer son arrêt. Dans ce cas, attendre environ 15 minutes avant de continuer.

**REMARQUE :** Si quoi que ce soit gêne l'ouverture de la porte, elle s'arrêtera. Si quoi que ce soit gêne la fermeture de la porte (y compris des portes qui forcent ou qui sont déséquilibrées), elle remontera.

### COMMENT ET QUAND RÉGLER LES COURSES

- **Si la porte ne s'ouvre pas complètement mais s'ouvre d'au moins cinq pieds (1,5 m) :**

Augmenter la course d'ouverture en tournant la vis de réglage « UP » à droite. Un tour complet de la vis correspond à 2 po (5 cm) de course.

**REMARQUE :** Pour empêcher le chariot de frapper le boulon de protection du couvercle, garder une distance minimale de 2 po à 4 po (5 cm - 10 cm) entre le chariot et le boulon.

- **Si la porte ne s'ouvre pas d'au moins 5 pieds :**

Régler la force d'ouverture « UP », comme indiqué dans la 2<sup>e</sup> opération des réglages.

- **Si la porte ne se ferme pas complètement :**

Augmenter la course de fermeture en tournant la vis de réglage « DOWN » dans le sens antihoraire. Un tour complet de la vis correspond à 2 po (5 cm) de course.

Si la porte ne se ferme toujours pas complètement et que le chariot heurte le support de la poulie (page 4), essayer de rallonger le bras de la porte (page 21) et de diminuer la course de fermeture.

- **Si l'ouvre-porte fait remonter la porte lorsqu'elle est complètement fermée :**

Diminuer la course de fermeture. Tourner la vis de réglage de fermeture (« DOWN ») dans le sens horaire. Un tour complet de la vis correspond à 2 po (5 cm) de course.

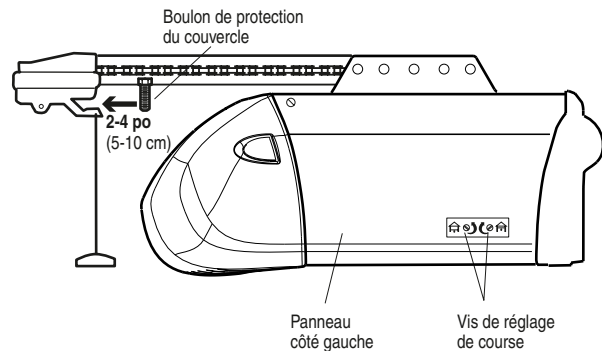
## ⚠ AVERTISSEMENT

Sans un système d'inversion de sécurité bien installé, des personnes (plus particulièrement les petits enfants) pourraient être GRIÈVEMENT BLESSÉES ou TUÉES par une porte de garage qui se referme.

- Un réglage erroné des courses de la porte de garage gênera un fonctionnement approprié du système d'inversion de sécurité.
- Après avoir réglé une commande (force ou course), il peut être nécessaire de régler l'autre commande.
- Après avoir effectué quelque réglage que ce soit, on DOIT faire l'essai du système d'inversion de sécurité. La porte de garage DOIT remonter au contact d'un objet d'une hauteur de 1-1/2 po (3,8 cm) (ou un 2 x 4 posé à plat) sur le sol.

## ATTENTION

Pour prévenir les dommages aux véhicules, s'assurer que la porte entièrement ouverte offre un dégagement suffisant.



- **Si la porte remonte en cours de fermeture sans qu'il n'y ait d'obstacles visibles qui la gênent :**

Si les lumières de l'ouvre-porte clignotent, ceci signifie que les détecteurs inverseurs de sécurité ne sont pas installés, sont mal alignés ou sont obstrués. Se reporter à la section « Dépannage » à la page 18.

Vérifier si la porte force : Tirer la poignée de déclenchement d'urgence. Ouvrir et fermer manuellement la porte. Si la porte force, appeler un technicien formé en systèmes de porte. Si la porte est équilibrée et ne force pas, ajuster la force de fermeture. Se reporter à la 2<sup>e</sup> opération des réglages.

## RÉGLAGES - 2<sup>e</sup> OPÉRATION

### Réglage de la force

Les commandes de réglage de la force sont situées sur le panneau arrière du moteur. Elles servent à régler la puissance du courant nécessaire à l'ouverture et à la fermeture de la porte.

Si la force réglée est trop faible, la porte aura tendance à s'arrêter à l'ouverture et à remonter à la fermeture. Les variations saisonnières peuvent modifier le fonctionnement de la porte; il faudra donc occasionnellement procéder à un réglage.

**Le réglage maximum de la force est de 3/4 de tour de vis. Ne pas forcer la vis au-delà de cette limite.** Utiliser un tournevis pour régler la force.

**REMARQUE :** Si quoi que ce soit gêne l'ouverture de la porte, elle s'arrêtera. Si quoi que ce soit gêne la fermeture de la porte (y compris des portes qui forcent ou qui sont déséquilibrées), elle remontera.

### COMMENT ET QUAND RÉGLER LES FORCES

#### 1. Vérification de la force de fermeture (DOWN)

- Pendant que la porte est environ à mi-chemin de sa course de fermeture, essayer de l'arrêter à la main. La porte doit remonter. *L'inversion du mouvement de fermeture de la porte à mi-chemin ne garantit pas l'inversion lorsqu'il s'agit d'une obstacle de 1-1/2 po (3,8 cm).* Se reporter à la 3<sup>e</sup> opération des réglages, page 25.

**S'il est difficile de retenir la porte ou si la porte ne remonte pas, DIMINUER LA FORCE DE FERMETURE (DOWN)** en tournant la vis de réglage dans le sens antihoraire. Effectuer de petits réglages jusqu'à ce que la porte remonte normalement. Après chaque réglage, faire faire un cycle complet à l'ouvre-porte.

- **Si la porte remonte durant le cycle de fermeture et que les lumières de l'ouvre-porte ne clignotent pas, AUGMENTER LA FORCE DE FERMETURE (DOWN)** en tournant la vis de réglage dans le sens horaire. Effectuer de petits réglages jusqu'à ce que la porte fasse un cycle de fermeture complet. Après chaque réglage, faire faire un cycle complet à l'ouvre-porte. *Ne pas augmenter la force au-delà du niveau nécessaire pour fermer la porte.*

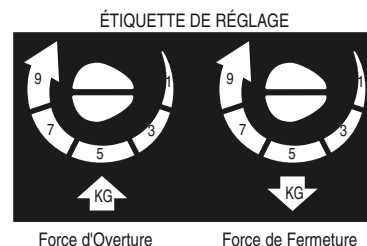
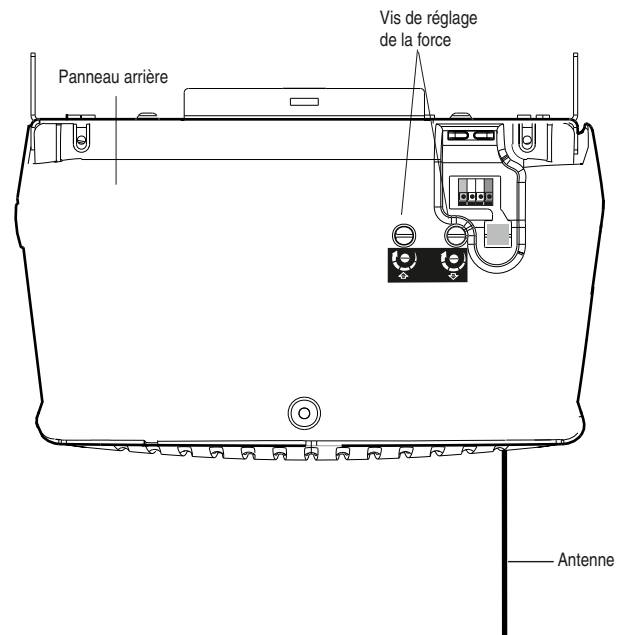
#### 2. Vérification de la force d'ouverture (UP)

- Pendant que la porte est environ à mi-chemin de sa course d'ouverture, essayer de l'arrêter à la main. La porte doit s'arrêter. **S'il est difficile de retenir la porte ou si la porte ne s'arrête pas, DIMINUER LA FORCE D'OUVERTURE (UP)** en tournant la vis de réglage dans le sens antihoraire. Effectuer de petits réglages jusqu'à ce que la porte s'arrête facilement et s'ouvre entièrement. Après chaque réglage, faire faire un cycle complet à l'ouvre-porte.
- **Si la porte ne s'ouvre pas d'au moins 5 pieds (1,5 m), AUGMENTER LA FORCE D'OUVERTURE (UP)**, en tournant la vis de réglage dans le sens horaire. Effectuer de petits réglages jusqu'à ce que la porte s'ouvre complètement. Au besoin, régler de nouveau la course d'ouverture (UP). Après chaque réglage, faire faire un cycle complet à l'ouvre-porte.

## ⚠ AVERTISSEMENT

Sans un système d'inversion de sécurité bien installé, des personnes (plus particulièrement les petits enfants) pourraient être GRIÈVEMENT BLESSÉES ou TUÉES par une porte de garage qui se referme.

- Une trop grande force sur la porte de garage gênera un fonctionnement approprié du système d'inversion de sécurité.
- Ne JAMAIS augmenter la force au-delà du niveau nécessaire à la fermeture de la porte.
- Ne JAMAIS utiliser les réglages de force pour compenser une porte qui force ou qui adhère.
- Après avoir réglé une commande (force ou course), il peut être nécessaire de régler l'autre commande.
- Après avoir effectué quelque réglage que ce soit, on DOIT faire l'essai du système d'inversion de sécurité. La porte de garage DOIT remonter au contact d'un objet d'une hauteur de 1-1/2 po (3,8 cm) (ou un 2 x 4 posé à plat) sur le sol.



## RÉGLAGES - 3<sup>e</sup> OPÉRATION

### Essai du système d'inversion de sécurité

#### ESSAI

- La porte étant entièrement ouverte, placer une planche de 1-1/2 po (3,8 cm) d'épaisseur (ou un 2 x 4 à plat) sur le plancher, centrée sous la porte de garage.
- Fermer la porte. La porte **doit** remonter dès qu'elle touche l'obstacle.

#### RÉGLAGE

- Si la porte s'arrête sur l'obstacle, sa course de fermeture n'est pas suffisante. Augmenter la course de fermeture (DOWN) en tournant la vis de réglage « DOWN » de 1/4 de tour dans le sens antihoraire.

**REMARQUE :** Dans le cas d'une porte articulée, s'assurer que les réglages ne forcent pas sur la biellette, ni à l'ouverture ni à la fermeture. Se reporter aux illustrations de la page 21.

- Répéter l'essai.
- Lorsque la porte remonte sur la planche de 1-1/2 po (3,8 cm), retirer l'obstacle et faire faire 3 ou 4 cycles complets à l'ouvre-porte afin de vérifier le réglage.
- Si l'essai du système d'inversion de sécurité échoue, appeler un technicien formé en systèmes de porte.

#### VÉRIFICATION DE SÉCURITÉ IMPORTANTE :

Faire l'essai du système d'inversion de sécurité après :

- Chaque fois que l'on modifie la longueur des biellettes, et chaque fois que l'on procède à un réglage de la force et de la course de la porte.
- Chaque fois que l'on répare ou que l'on règle la porte du garage (y compris les ressorts et les fixations).
- Chaque fois que l'on répare le plancher du garage ou après un soulèvement de celui-ci.
- Chaque fois que l'on procède à une réparation ou à un réglage de l'ouvre-porte.

## RÉGLAGES - 4<sup>e</sup> OPÉRATION

### Essai du Système Protector®

- Appuyer sur le bouton-poussoir de la télécommande pour ouvrir la porte.
- Mettre la boîte en carton de l'ouvre-porte dans la course de la porte.
- Appuyer sur le bouton-poussoir de la télécommande pour fermer la porte. La porte ne se déplacera pas de plus d'un pouce (2,5 cm), et les lumières de l'ouvre-porte clignoteront.

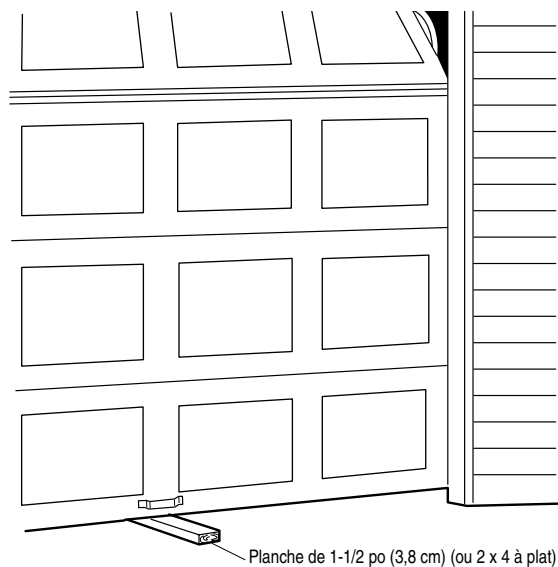
La porte de garage ne se fermera pas à l'aide d'une télécommande si le témoin lumineux d'un des deux détecteurs est éteint (ce qui avertit que le détecteur est mal aligné ou est obstrué).

**Si l'ouvre-porte ferme la porte lorsque le détecteur inverseur de sécurité est obstrué (et que les détecteurs ne sont pas à plus de 6 po (15 cm) au-dessus du sol), appeler un technicien formé en systèmes de porte.**

## ⚠ AVERTISSEMENT

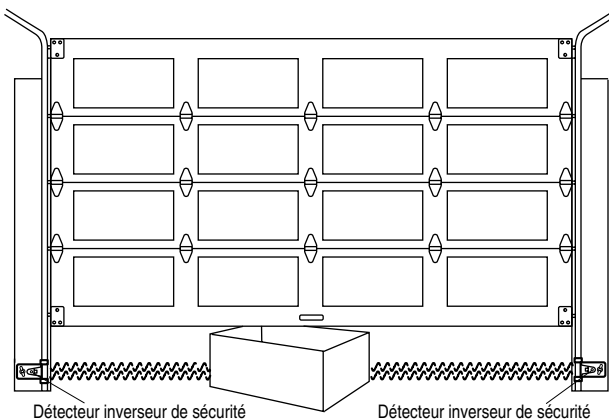
Sans un système d'inversion de sécurité bien installé, des personnes (plus particulièrement les petits enfants) pourraient être GRIÈVEMENT BLESSÉES ou TUÉES par une porte de garage qui se referme.

- On **DOIT** procéder à une vérification mensuelle du système d'inversion de sécurité.
- Après avoir réglé une commande (force ou course), il peut être nécessaire de régler l'autre commande.
- Après avoir effectué quelque réglage que ce soit, on **DOIT** faire l'essai du système d'inversion de sécurité. La porte de garage **DOIT** remonter au contact d'un objet d'une hauteur de 1-1/2 po (3,8 cm) (ou un 2 x 4 posé à plat) sur le sol.



## ⚠ AVERTISSEMENT

Sans un système d'inversion de sécurité bien installé, des personnes (plus particulièrement les petits enfants) pourraient être GRIÈVEMENT BLESSÉES ou TUÉES par une porte de garage qui se referme.



# IMPORTANTES CONSIGNES DE SÉCURITÉ

## AVERTISSEMENT

### Pour réduire le risque de BLESSURES GRAVES ou DE MORT :

1. LIRE ET SUIVRE TOUS LES AVERTISSEMENTS ET INSTRUCTIONS.
2. TOUJOURS garder les télécommandes hors de la portée des enfants. Ne JAMAIS laisser les enfants faire fonctionner les télécommandes ou les boutons-poussoirs de la commande de porte ou jouer avec ceux-ci.
3. Actionner la porte de garage UNIQUEMENT lorsqu'on peut la voir clairement, qu'elle est bien réglée et qu'il n'y a aucune obstacle à la course de la porte.
4. TOUJOURS garder la porte de garage en vue jusqu'à sa fermeture complète. PERSONNE NE DOIT TRAVERSER LE PARCOURS DE LA PORTE EN MOUVEMENT.
5. PERSONNE NE DOIT PASSER SOUS UNE PORTE ARRÊTÉE EN COURS D'OUVERTURE.
6. Si possible, utiliser la poignée de déclenchement d'urgence pour dégager le chariot UNIQUEMENT lorsque la porte de garage est FERMÉE. Des ressorts faibles ou brisés ou une porte déséquilibrée peuvent causer la chute rapide et/ou imprévue d'une porte ouverte.
7. Ne JAMAIS utiliser la poignée de déclenchement d'urgence à moins que l'entrée de garage ne soit dégagée (absence de personnes et d'obstacles).
8. Ne JAMAIS utiliser la poignée pour ouvrir ou fermer la porte. Il y a risque de chute si le nœud de la corde se défait.
9. Après avoir réglé une commande (force ou course), il peut être nécessaire de régler l'autre commande.
10. Après avoir effectué quelque réglage que ce soit, on DOIT faire l'essai du système d'inversion de sécurité.
11. On DOIT procéder à une vérification mensuelle du système d'inversion de sécurité. La porte de garage DOIT remonter au contact d'un objet d'une hauteur de 1-1/2 po (3,8 cm) (ou un 2 x 4 posé à plat) sur le sol.
12. TOUJOURS GARDER LA PORTE DE GARAGE BIEN ÉQUILIBRÉE (se reporter à la page 3). Une porte mal équilibrée peut ne pas remonter au besoin et pourrait provoquer des BLESSURES GRAVES ou LA MORT.
13. Toutes les réparations aux câbles, ensembles de ressort et autres ferrures de montage, qui sont tous sous une tension EXTRÊME, DOIVENT être confiées à un technicien formé en systèmes de porte.
14. TOUJOURS mettre l'ouvre-porte de garage hors tension AVANT d'effectuer quelque réparation que ce soit ou d'enlever des couvercles.
15. **CONSERVER CES INSTRUCTIONS.**

### Utilisation de votre ouvre-porte de garage

Votre télécommande à main et ouvre-porte Security+® ont été réglés en usine à un code compatible qui change avec chaque usage, accédant de manière aléatoire à plus de 100 milliards de nouveaux codes. Votre ouvre-porte fonctionnera avec un nombre allant jusqu'à huit télécommandes Security+® et un Système d'entrée sans clé. Si vous achetez une nouvelle télécommande ou que vous désirez désactiver toute télécommande, suivez les instructions de la section *Programmation*.

#### Actionner l'ouvre-porte suivant l'une des méthodes ci-après :

- *La télécommande à main* : Appuyer sur le bouton-poussoir jusqu'à ce que la porte commence à se déplacer.
- *La commande de porte murale* : Tenir la barre ou le bouton-poussoir enfoncé jusqu'à ce que la porte commence à se déplacer.
- *Le système d'entrée sans clé* : (Se reporter à la section *Accessoires*) s'il est fourni avec votre ouvre-porte de garage, il doit être programmé avant usage. Se reporter à la section *Programmation*.

#### Lorsque l'on actionne l'ouvre-porte de garage et que les détecteurs inverseurs de sécurité sont correctement installés et alignés

1. Si la porte est ouverte, elle se fermera. Si elle est fermée, elle s'ouvrira.
2. Si la porte est en course de fermeture, elle remontera.
3. Si la porte est en course d'ouverture, elle s'arrêtera.
4. Si on l'a arrêtée en position partiellement ouverte, elle se fermera.

5. Si la fermeture de la porte est gênée, la porte remontera. Si l'obstacle interrompt le faisceau du détecteur, les lumières de l'ouvre-porte clignoteront pendant 5 secondes.
6. Si l'ouverture de la porte est gênée, la porte s'arrêtera.
7. Si la porte est complètement ouverte, elle ne se fermera pas tant que le faisceau lumineux sera interrompu. Le détecteur n'a aucun effet lors du cycle d'ouverture. Si le détecteur n'est pas installé ou est mal aligné, la porte ne se fermera pas à partir d'une télécommande à main. Cependant, vous pouvez fermer la porte avec la commande de porte, *la clé de verrouillage extérieur, ou l'entrée sans clé, si vous les activez jusqu'à ce que la fermeture soit complète*. Si vous les relâchez trop tôt, la porte s'inversera.

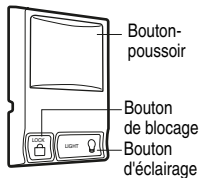
**L'éclairage de l'ouvre-porte de garage** s'allumera dans les cas suivants : lorsque l'on branche l'ouvre-porte de garage pour la première fois sur le courant; lorsque le courant est interrompu; lorsque l'ouvre-porte est actionné. Cet éclairage s'éteint automatiquement après 4-1/2 minutes ou il assure un éclairage constant lorsqu'on actionne la fonction d'éclairage sur la commande de porte à fonctions multiples. Des ampoules de 100 watts maximum doivent être utilisées.

**Éclairage Security+®** : Les lumières s'allumeront également lorsqu'une personne franchira la porte de garage ouverte. Sur la commande de porte multifonction, cette fonction d'éclairage peut être désactivée de la façon suivante : les lumières fermées, enfoncer et tenir le bouton d'éclairage pendant 10 secondes jusqu'à ce que les lumières s'éteignent, puis s'allument de nouveau. Pour rétablir cette fonction, commencer avec le dispositif d'éclairage de l'ouvre-porte allumé, puis enfoncer et tenir le bouton d'éclairage pendant 10 secondes, jusqu'à ce que les lumières s'éteignent, puis s'allument à nouveau.

## Utilisation de la commande de porte à montage mural

### PANNEAU COMMANDE DE PORTE

Appuyer sur la barre pour ouvrir ou fermer la porte. Appuyer à nouveau pour faire remonter la porte lors du cycle de fermeture ou pour arrêter la porte pendant le cycle d'ouverture.



### Fonction d'éclairage

Appuyez sur le bouton d'éclairage pour allumer ou éteindre l'éclairage de l'ouvre-porte. Il ne contrôle pas l'éclairage de l'ouvre-porte pendant que la porte est en mouvement. Si vous allumez, puis activez l'ouvre-porte, l'éclairage demeurera allumé pendant 4-1/2 minutes. Appuyez à nouveau sur ce bouton pour l'éteindre plus tôt. L'intervalle de 4-1/2 minutes peut être changé à 1-1/2, 2-1/2 ou 3-1/2 minutes comme suit : Enfoncer et tenir le bouton de blocage jusqu'à ce que l'éclairage clignote (environ 10 secondes). Un seul clignotement indique que la minuterie est réglée à 1-1/2 minute. Répéter la procédure et l'éclairage clignotera deux fois, réglant ainsi la minuterie à 2-1/2 minutes. Répéter à nouveau pour un intervalle de 3-1/2 minutes, etc., jusqu'à un maximum de quatre clignotements pour 4-1/2 minutes.

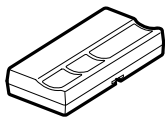
### Élément de verrouillage

L'élément de verrouillage est conçu de manière à empêcher le fonctionnement de la porte à l'aide de télécommandes à main. Cependant, la porte s'ouvrira et se fermera à partir de la commande de porte, de la serrure extérieure ou du système d'ouverture sans clé en accessoire.

Pour actionner, appuyer sur le bouton de verrouillage et le tenir pendant 2 secondes. L'éclairage de la barre-poussoir clignotera aussi longtemps que l'élément de verrouillage sera en marche.

Pour arrêter, appuyer à nouveau sur le bouton de verrouillage et le tenir pendant 2 secondes. L'éclairage de la barre-poussoir cessera de clignoter. L'élément de verrouillage sera également neutralisé chaque fois que le bouton « learn » se trouvant sur le panneau de l'ouvre-porte sera actionné.

### Fonctions supplémentaires lors de l'utilisation avec la télécommande à trois canaux

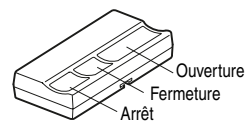


#### A) Commande de l'éclairage de l'ouvre-porte :

Vous pouvez programmer la télécommande de manière à commander, non seulement la porte, mais aussi l'éclairage.

1. La porte étant fermée, enfoncer et tenir un petit bouton de la télécommande auquel on attribuera le contrôle de l'éclairage.
2. Continuer à tenir tout en enfonçant le bouton d'éclairage sur le panneau de commande de la porte.
3. Continuer à tenir les deux boutons tout en enfonçant le bouton de blocage de la commande de la porte.
4. Lorsque l'éclairage de l'ouvre-porte clignote, relâcher tous les boutons.

- B) Pour actionner une porte en utilisant les trois boutons de la télécommande à main (ouverture/fermeture/arrêt) :  
On peut programmer la télécommande de manière à ouvrir la porte avec le gros bouton, à la refermer avec le bouton central et à arrêter le mouvement de la porte à l'aide du troisième bouton.



**REMARQUE :** Si la télécommande est déjà programmée, on doit d'abord effacer tous les codes. Voir *Programmation*.

1. La porte étant fermée, enfoncer et tenir le gros bouton-poussoir de la télécommande.
2. Continuer à tenir tout en enfonçant le bouton de blocage sur la commande de porte.
3. Continuer à tenir les deux boutons tout en enfonçant la barre-poussoir de la commande de porte.
4. Lorsque l'éclairage de l'ouvre-porte clignote, relâcher tous les boutons.

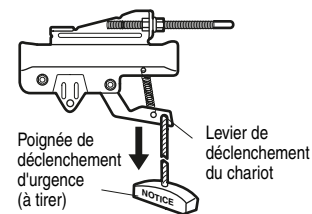
### Ouverture manuelle de la porte

#### ⚠ AVERTISSEMENT

Pour prévenir d'éventuelles BLESSURES GRAVES ou la MORT par suite de la chute d'une porte de garage :

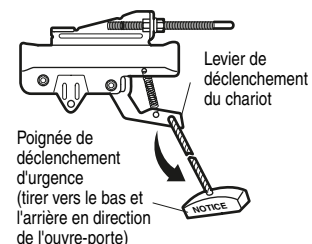
- Si possible, utiliser la poignée de déclenchement d'urgence pour dégager le chariot UNIQUEMENT lorsque la porte de garage est FERMÉE. Des ressorts faibles ou brisés ou une porte déséquilibrée peuvent causer la chute rapide ou imprévue d'une porte ouverte.
- Ne JAMAIS utiliser la poignée de déclenchement d'urgence à moins que l'entrée de garage ne soit dégagée (absence de personnes et d'obstacles).
- Ne JAMAIS utiliser la poignée pour ouvrir ou fermer la porte. Il y a risque de chute si le nœud de la corde se défait.

Dans la mesure du possible, la porte doit être complètement fermée. Tirer la poignée de déclenchement d'urgence et lever la porte manuellement. Pour rattachar la porte à l'ouvre-porte, appuyer sur la barre-poussoir de la commande de porte.



POSITION DE DÉCLENCHEMENT MANUEL

La fonction de verrouillage empêche le chariot de se réenclencher automatiquement. Tirer la poignée de déclenchement d'urgence vers le bas et l'arrière (vers l'ouvre-porte de garage). Il sera alors possible d'ouvrir et de fermer la porte à la main autant de fois qu'on le désirera. Pour inhiber le verrouillage, tirer la poignée droit vers le bas. Le chariot se réenclenchera lors de la prochaine ouverture ou fermeture de la porte.



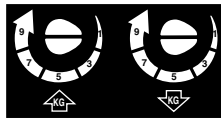
POSITION DE VERROUILLAGE

## ENTRETIEN DE L'OUVRE-PORTE DE GARAGE

### RÉGLAGES DE COURSE ET DE FORCE :

Les conditions climatiques risquent de causer de petites modifications dans le fonctionnement de la porte qui devra alors être réglée, en particulier après la première année d'utilisation.

#### COMMANDES DE FORCE



#### COMMANDES DE COURSE



Se reporter aux pages 23 et 24 pour les réglages des courses d'ouverture et de fermeture et de la force. Seul un tournevis est requis. Suivre attentivement les instructions.

**Procéder toujours au contrôle de l'inversion de sécurité (réglages - 3<sup>e</sup> Opération, page 25) après avoir procédé à un réglage des courses ou de la force.**

### PÉRIODICITÉS D'ENTRETIEN

#### *Une fois par mois*

- Faire fonctionner la porte à la main. Si elle est déséquilibrée ou si elle force, appeler un technicien formé en systèmes de porte.
- S'assurer que la porte s'ouvre et se ferme complètement. Au besoin, régler les commandes de course et/ou de force. (Se reporter aux pages 23 et 24.)
- Répéter le contrôle du dispositif d'inversion de sécurité. Procéder à tous les réglages nécessaires (voir réglages - 3<sup>e</sup> opération).

#### *Deux fois par année*

- Vérifier la tension de la chaîne. Désaccoupler d'abord le chariot. Régler la tension de la chaîne au besoin (se reporter à la page 7).

#### *Une fois par année*

- Huiler les rouleaux, les roulements et les charnières de la porte. Il n'est pas nécessaire de lubrifier l'ouvre-porte de garage. Ne pas graisser les guides de la porte.

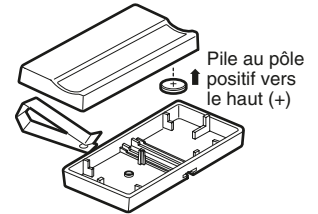
### LA PILE DE LA TÉLÉCOMMANDE

## AVERTISSEMENT

Pour prévenir d'éventuelles BLESSURES GRAVES ou la MORT :

- Ne JAMAIS laisser de petits enfants à proximité des piles.
- Aviser immédiatement un médecin en cas d'ingestion d'une pile.

La pile au lithium devrait durer pendant une période allant jusqu'à 5 ans. Pour changer la pile, ouvrir le boîtier comme illustré en le soulevant à l'aide de la pince du pare-soleil ou de la lame d'un tournevis. Insérer la pile avec le côté positif vers le haut (+).



Se débarrasser de la pile usagée convenablement.

AVIS : Les règles de la FCC ou d'Industrie Canada (IC), ou les deux, interdisent tout ajustement ou toute modification de ce récepteur et/ou de cet émetteur, sauf pour modifier le code ou pour remplacer la pile. IL N'EXISTE AUCUNE AUTRE PIÈCE SUSCEPTIBLE D'ÊTRE ENTRETENUE PAR L'UTILISATEUR.

Vérfié pour conformité avec les normes de la FCC POUR UTILISATION À LA MAISON OU AU BUREAU. L'utilisation est sujette aux deux conditions ci-après : (1) ce dispositif ne peut causer des interférences nuisibles, et (2) ce dispositif doit accepter toute interférence reçue, y compris une interférence pouvant causer un fonctionnement non désiré.



## DÉFAUTS DE FONCTIONNEMENT

**1. Ma porte ne se ferme pas et les ampoules de l'éclairage du moteur clignotent :** Le détecteur inverseur de sécurité doit être raccordé et aligné correctement avant que l'ouvre-porte de garage n'entame la procédure de fermeture.

- Vérifier que les détecteurs inverseurs de sécurité sont bien installés et dépourvus d'obstruction. Se reporter à la 10<sup>e</sup> étape de pose : *Pose du Système Protector*<sup>®</sup>.
- Vérifier le diagnostic du voyant LED concernant les éclaircs sur le moteur, puis se reporter à la *fiche diagnostic* à la page suivante.

**2. Mes télécommandes ne font pas fonctionner la porte :**

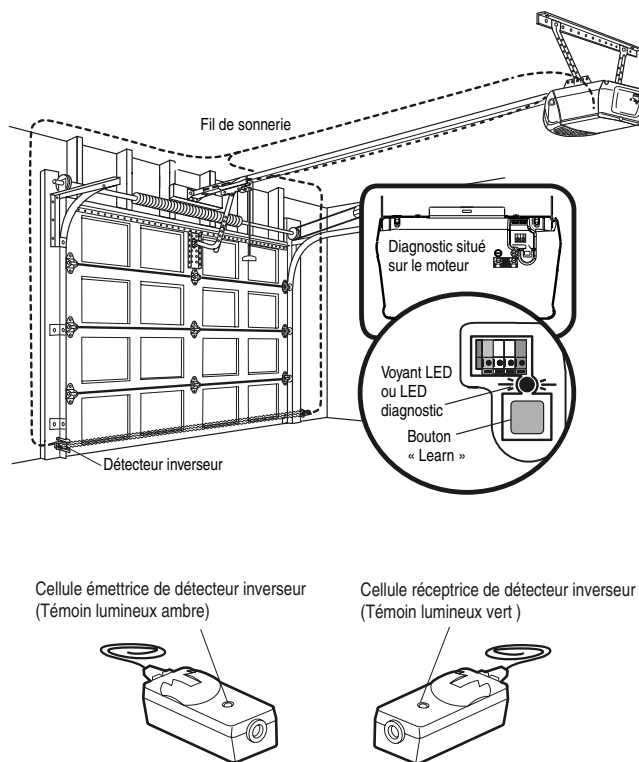
- Vérifier que votre commande de porte ne clignote pas. Si elle clignote, désactiver le mode de verrouillage en suivant les instructions du passage consacré à *l'Utilisation de la commande de porte à montage mural*.
- Reprogrammer les télécommandes en suivant les instructions de programmation. Se reporter au chapitre *Programmation*.
- Si la télécommande ne fait toujours pas fonctionner votre porte, examiner le voyant LED diagnostique et observer, le cas échéant, les éclaircs sur le moteur, puis se reporter à la *fiche diagnostic* à la page suivante.

**3. La porte inverse sa course sans raison apparente :**

- Après avoir procédé au réglage de la force ou des limites de course, répéter le contrôle de l'inversion de sécurité. Le besoin de procéder à des réglages occasionnels des limites de courses et de la force est normal. Les variations saisonnières en particulier peuvent altérer la course de la porte.
- Vérifier manuellement que la porte est bien équilibrée et qu'il n'y a pas de problèmes d'adhésion.
  - Se reporter à la 2<sup>e</sup> opération de réglage, *Réglage de la force*.

**4. Après fermeture complète et après contact avec le sol, la porte inverse sa course sans raison apparente :**

- Répéter le contrôle de l'inversion de sécurité après avoir procédé au réglage de la force ou des limites de course. Le besoin de procéder à des réglages occasionnels des limites de courses et de la force est normal. Les variations saisonnières en particulier peuvent altérer la course de la porte.
- Se reporter à la 1<sup>ère</sup> opération de réglage, *Réglage des courses d'OUVERTURE et de FERMETURE*. Diminuer la course de fermeture en tournant les vis de réglage dans le sens des aiguilles de la montre.

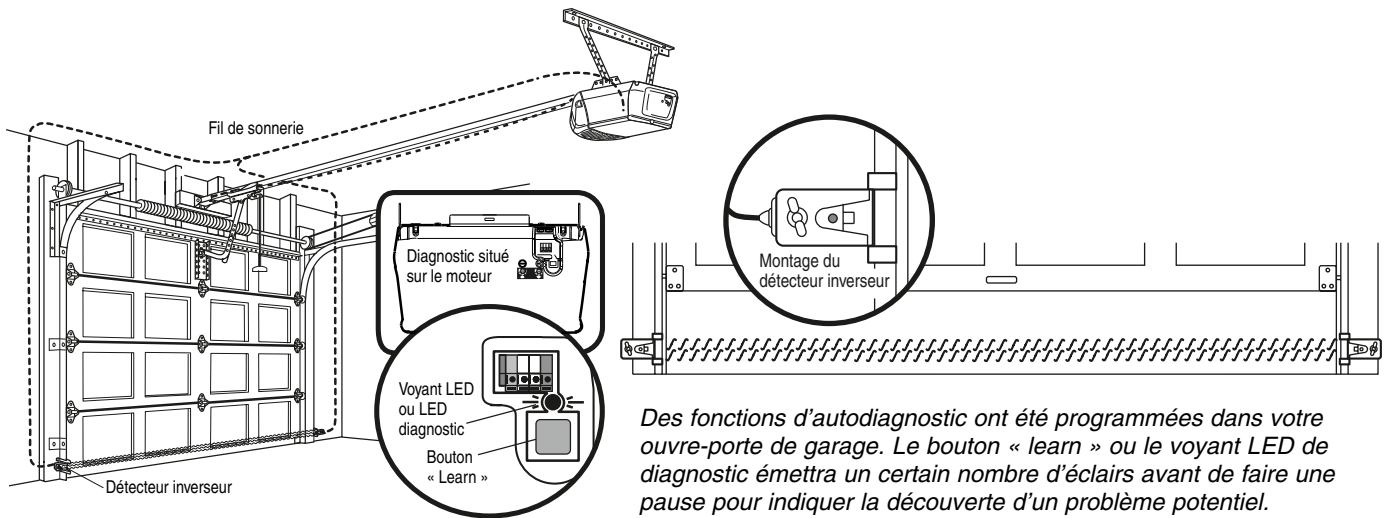


**5. L'éclairage ne s'éteint pas quand la porte est ouverte :**

- L'ouvre-porte de garage est équipé d'un éclairage de sécurité. Cette caractéristique allume la lumière quand le faisceau lumineux de sécurité a été obstrué. Se reporter à la section *Fonctionnement ; Utilisation de la commande de porte murale, Fonction d'éclairage*.

**6. Le moteur de l'ouvre-porte ronfle brièvement :**

- Vérifier d'abord si le chariot appuie contre le boulon d'arrêt.
- Détacher la porte de l'ouvre-porte en tirant sur la corde de déverrouillage d'urgence.
- Fermer la porte manuellement.
- Relâcher la chaîne en donnant 4 à 5 tours à l'écrou extérieur, ce qui relâche la tension.
- Mettre le moteur en marche au moyen de la télécommande ou de la commande de porte. Le chariot devrait se diriger vers la porte puis s'arrêter. Si le chariot se réengage avec la porte, tirer sur le cordon de déverrouillage d'urgence pour le libérer.
- Réduire la course d'ouverture en donnant deux tours complets à la vis de réglage de la course d'OUVERTURE dans le sens opposé à la flèche.
- Resserer l'écrou extérieur de façon que la chaîne se trouve à 1/2 po (13 mm) au-dessus de la base du rail. (Quand la porte est raccordée et fermée, la chaîne pendra légèrement, ce qui est normal.)
- Si le chariot ne s'éloigne pas du boulon, répéter les étapes ci-dessus.



Des fonctions d'autodiagnostic ont été programmées dans votre ouvre-porte de garage. Le bouton « learn » ou le voyant LED de diagnostic émettra un certain nombre d'éclairs avant de faire une pause pour indiquer la découverte d'un problème potentiel. Consulter la fiche diagnostique ci-dessous.

## Fiche Diagnostique

### 1 ÉCLAIR

Cassure du fil des détecteurs de sécurité (coupé ou déconnecté).

OU

### 2 ÉCLAIRS

Court-circuit du fil des détecteurs de sécurité ou inversion des fils noir/blanc.

### 3 ÉCLAIRS

Court-circuit de la commande de porte ou du fil.

### 4 ÉCLAIRS

Léger mésalignement des détecteurs de sécurité (témoin LED faible ou clignotant).

### 5 ÉCLAIRS

Surchauffe du moteur ou éventuelle panne du capteur de régime. Débrancher pour le réarmer.

### 6 ÉCLAIRS

Panne du circuit moteur. Remplacer la carte logique du récepteur.

- **Symptôme : Un des témoins lumineux des détecteurs de sécurité, ou les deux, n'émet pas une lumière constante.**
  - Inspecter les fils du détecteur pour détecter un court-circuit (agrafe dans le fil), corriger la polarité des branchements (fils noir/blanc inversés), les fils cassés ou débranchés ; remplacer / relier si nécessaire.
  - Déconnecter tous les fils de la plaque arrière du moteur.
  - Retirer les détecteurs de leurs supports et raccourcir les fils des détecteurs à une longueur de 1-2 pieds (30 à 60 cm) à partir de l'arrière de chaque détecteur.
  - Rattacher la cellule de transmission au moteur à l'aide des fils raccourcis. Si le témoin lumineux de la cellule de transmission brille de manière constante, fixer la cellule de réception.
  - Aligner les détecteurs, si les témoins lumineux sont allumés, remplacer les fils des détecteurs. Si les témoins lumineux de détection ne s'allument pas, remplacer les détecteurs de sécurité.
- **Symptôme : Le témoin LED n'est pas allumé sur la commande de porte.**
  - Inspecter la commande de porte / les fils pour détecter un court-circuit (agrafe dans le fil) — remplacer si nécessaire.
  - Déconnecter les fils au niveau de la commande de porte, toucher les fils l'un à l'autre. Si le moteur se met en marche, remplacer la commande de porte.
  - Si le moteur ne se met pas en marche, déconnecter les fils de la commande de porte du moteur. Court-circuiter momentanément les terminaux rouge et blancs à l'aide d'un câble de raccord. Si le moteur se met en marche, remplacer les fils de la commande de porte.
- **Symptôme : Le témoin lumineux émetteur est allumé en continu alors que le témoin lumineux récepteur donne une lumière faible ou clignote.**
  - Réaligner la cellule réceptrice, nettoyer le diffuseur et bien fixer les supports.
  - Vérifier que le guide de la porte est bien ancré au mur et ne bouge pas.
- **Symptôme : Le moteur a surchauffé ; le moteur ne fonctionne pas ou le chariot est coincé sur le boulon d'arrêt = le moteur ronfle brièvement = capteur de régime ; Course courte de 6-8 po (15 à 20 cm).**
  - Débrancher le moteur pour le réarmer. Essayer de mettre le moteur en marche, vérifier le code de diagnostic.
  - S'il émet encore 5 éclairs et que le moteur se déplace de 6-8 po (15 à 20 cm), remplacer le capteur de régime.
  - Si le moteur ne fonctionne pas, le moteur a surchauffé. Attendre 30 minutes et essayer à nouveau. Si le moteur ne se met toujours pas en marche, remplacer la carte logique.
- **Symptôme : Le moteur ne fonctionne pas.**
  - Remplacer la carte logique car les pannes de moteur sont rares.

## PROGRAMMATION

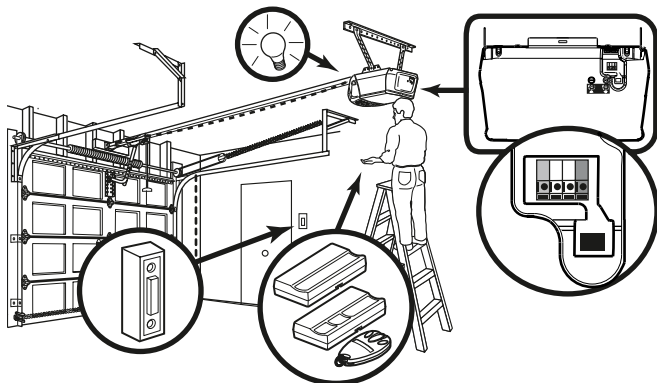
**REMARQUE :** Si cet ouvre-porte de garage Security+® est utilisé avec une télécommande émettrice à code fixe, le dispositif technique que contient le récepteur de l'ouvre-porte et qui procure une protection contre les vols de code, se trouvera contourné. Le détenteur des droits d'auteur de cet ouvre-porte de garage n'autorise pas l'acheteur ni le fournisseur de la télécommande émettrice à code fixe à contourner ce dispositif technique.

L'ouvre-porte de garage a été programmé en usine de manière à fonctionner avec la télécommande à main fournie. La porte s'ouvrira et se fermera lorsqu'on appuiera sur le gros bouton-poussoir.

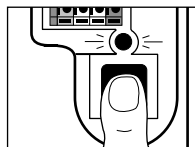
Ci-après se trouvent des instructions pour programmer votre ouvre-porte en vue du fonctionnement avec d'autres télécommandes Security+®.

### Pour ajouter ou reprogrammer une télécommande à main supplémentaire

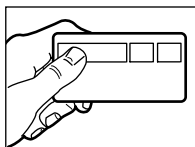
#### UTILISATION DU BOUTON « LEARN »



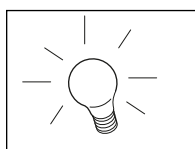
1. Enfoncer et relâcher le bouton « learn » sur le moteur. Le témoin lumineux learn s'allumera en continu pendant 30 secondes.



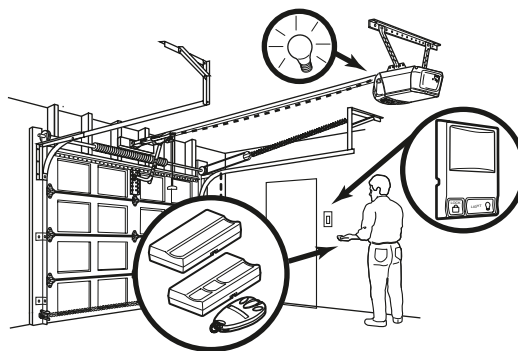
2. Dans un délai de 30 secondes, enfoncer et tenir le bouton de la télécommande\* qui fera fonctionner votre porte de garage.



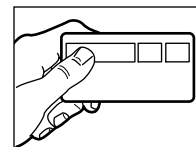
3. Relâcher le bouton lorsque l'éclairage du moteur clignote. Il a appris le code. Si les ampoules ne sont pas posées, deux clics se feront entendre.



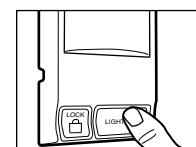
#### UTILISATION DE LA COMMANDE DE PORTE MULTIFONCTION



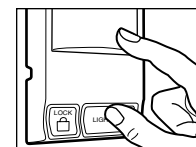
1. Enfoncer et tenir le bouton de la télécommande\* qui fera fonctionner votre porte de garage.



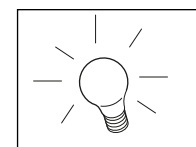
2. Tout en tenant le bouton de la télécommande, enfoncer et tenir le bouton LIGHT sur la commande de porte multifonction.



3. Continuer à tenir les deux boutons tout en appuyant sur la barre-poussoir de la commande de porte multifonction (les trois boutons sont tenus).



4. Relâcher les boutons lorsque l'éclairage du moteur clignote. Il a appris le code. Si les ampoules ne sont pas posées, deux clics se feront entendre.



#### Pour effacer tous les codes de la mémoire du moteur

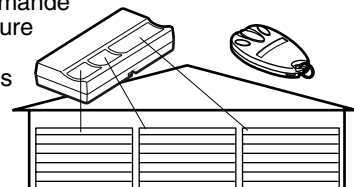
Pour désactiver toute télécommande non désirée, effacer d'abord tous les codes :

Enfoncer et tenir le bouton « learn » du moteur jusqu'à ce que le témoin lumineux learn s'éteigne (environ 6 secondes). Tous les codes précédents sont maintenant effacés. Reprogrammer chaque télécommande ou entrée sans clé qu'on désire utiliser.



#### \* Télécommandes à trois boutons

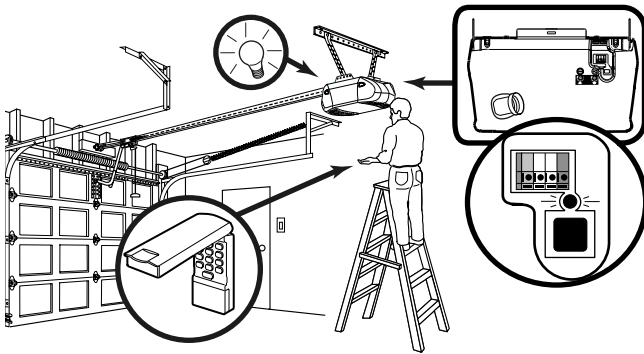
Programmé en usine, le gros bouton dont pourrait être munie votre télécommande sert au fonctionnement de l'ouvre-porte de garage. Les boutons supplémentaires sur n'importe quelle télécommande ou télécommande miniature trois boutons Security+® peuvent être programmés pour faire fonctionner d'autres ouvre-portes de garage Security+®.



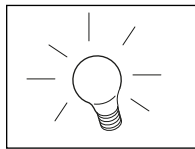
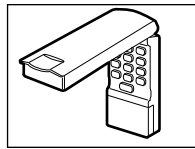
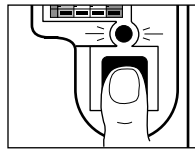
## Pour ajouter, reprogrammer ou modifier un NIP d'entrée sans clé

**REMARQUE :** Votre nouvelle entrée sans clé doit être programmée de manière à faire fonctionner votre ouvre-porte de garage.

### UTILISATION DU BOUTON « LEARN »



1. Enfoncer et tenir le bouton « learn » sur le moteur. Le témoin lumineux learn s'allumera en continu pendant 30 secondes.
2. Dans un délai de 30 secondes, introduire un numéro d'identification personnelle (NIP) à quatre chiffres de son choix sur le pavé numérique. Enfoncer et tenir ensuite le bouton ENTER.
3. Relâcher le bouton lorsque l'éclairage du moteur clignote. Il a appris le code. Si les ampoules ne sont pas posées, deux clics se feront entendre.



### Pour modifier un NIP connu, existant

Si le NIP existant est connu, il peut être modifié par une seule personne sans devoir utiliser d'échelle.

1. Appuyer sur les quatre boutons correspondant au NIP actuel, puis enfoncer et tenir le bouton #.  
L'éclairage de l'ouvre-porte clignotera deux fois.  
Relâcher le bouton #.

2. Introduire le nouveau NIP à 4 chiffres choisis, puis appuyer sur ENTER.

L'éclairage du moteur clignotera une fois lorsque le NIP aura été appris.

Faire un essai en introduisant sur le nouveau NIP, puis appuyer sur ENTER. La porte devrait bouger.

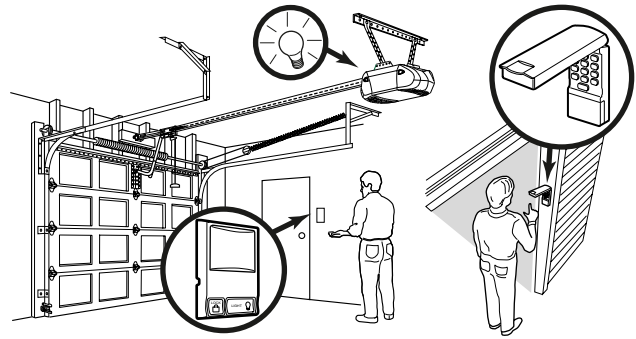
### Pour définir un NIP temporaire

Vous pouvez autoriser l'accès aux visiteurs ou aux techniciens de service à l'aide d'un NIP temporaire à 4 chiffres. Après un nombre programmé d'heures ou un nombre programmé d'utilisations, ce NIP temporaire vient à expiration et n'ouvre plus la porte. On peut l'utiliser pour fermer la porte une fois qu'il a expiré. Pour définir un NIP temporaire :

1. Appuyer sur les quatre boutons correspondant à son NIP d'entrée personnelle (non le dernier NIP temporaire), puis enfoncer et tenir le bouton \*.

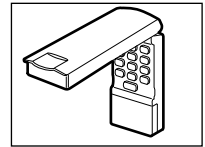
L'éclairage de l'ouvre-porte clignotera trois fois.  
Relâcher le bouton.

### UTILISATION DE LA COMMANDE DE PORTE MULTIFONCTION

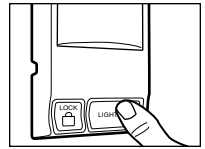


**REMARQUE :** Cette méthode nécessite deux personnes si le pavé pour l'entrée sans clé est déjà monté à l'extérieur du garage.

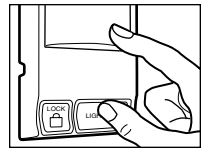
1. Introduire un numéro d'identification personnelle (NIP) à quatre chiffres de son choix sur le pavé numérique. Enfoncer et tenir ensuite le bouton ENTER.



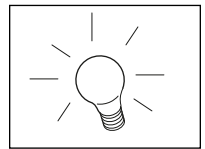
2. Tout en maintenant le bouton ENTER enfoncé, appuyer et tenir le bouton LIGHT de la commande de porte Multifonction.



3. Maintenir les deux boutons enfoncés tout en appuyant sur le bouton-poussoir de la commande de porte Multifonction (les trois boutons sont tenus).



4. Relâcher les boutons lorsque l'éclairage du moteur clignote. Il a appris le code. Si les ampoules ne sont pas posées, deux clics se feront entendre.



2. Introduire le NIP temporaire à 4 chiffres choisis, puis appuyer sur ENTER.

L'éclairage de l'ouvre-porte clignotera quatre fois.

3. Pour définir le nombre **d'heures** de validité de ce NIP temporaire, appuyer sur le nombre d'heures (jusqu'à 255), puis appuyer sur \*.

**OU**

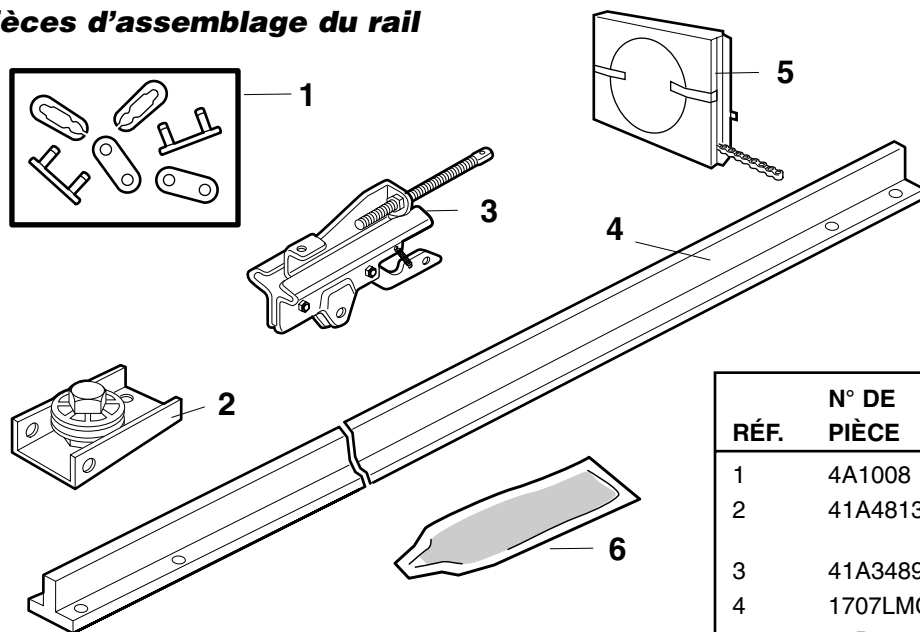
3. Pour définir le nombre de **fois** de validité de ce NIP temporaire, appuyer sur le nombre de fois (jusqu'à 255), puis appuyer sur #.

L'éclairage de l'ouvre-porte clignotera une fois lorsque ce NIP temporaire aura été appris.

Faire un essai en entrant les quatre chiffres correspondant à ce NIP temporaire, puis appuyer sur ENTER. La porte devrait bouger. Si le NIP temporaire a été défini pour un certain nombre d'ouvertures, ne pas oublier que le test a utilisé une ouverture. Pour effacer le mot de passe temporaire, répéter les étapes 1 à 3, en définissant le nombre d'heures ou de fois à 0 lors de l'étape 3.

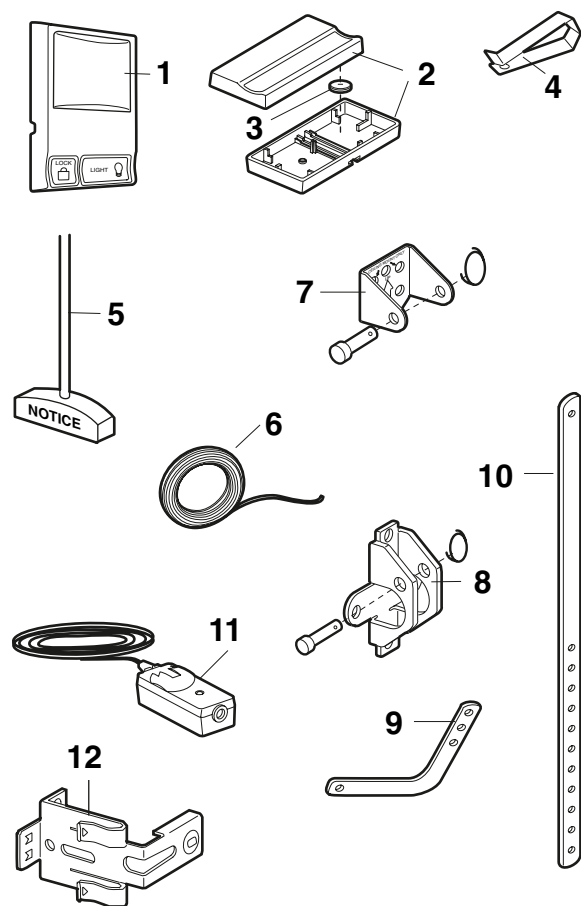
## PIÈCES DE RECHANGE

### Pièces d'assemblage du rail



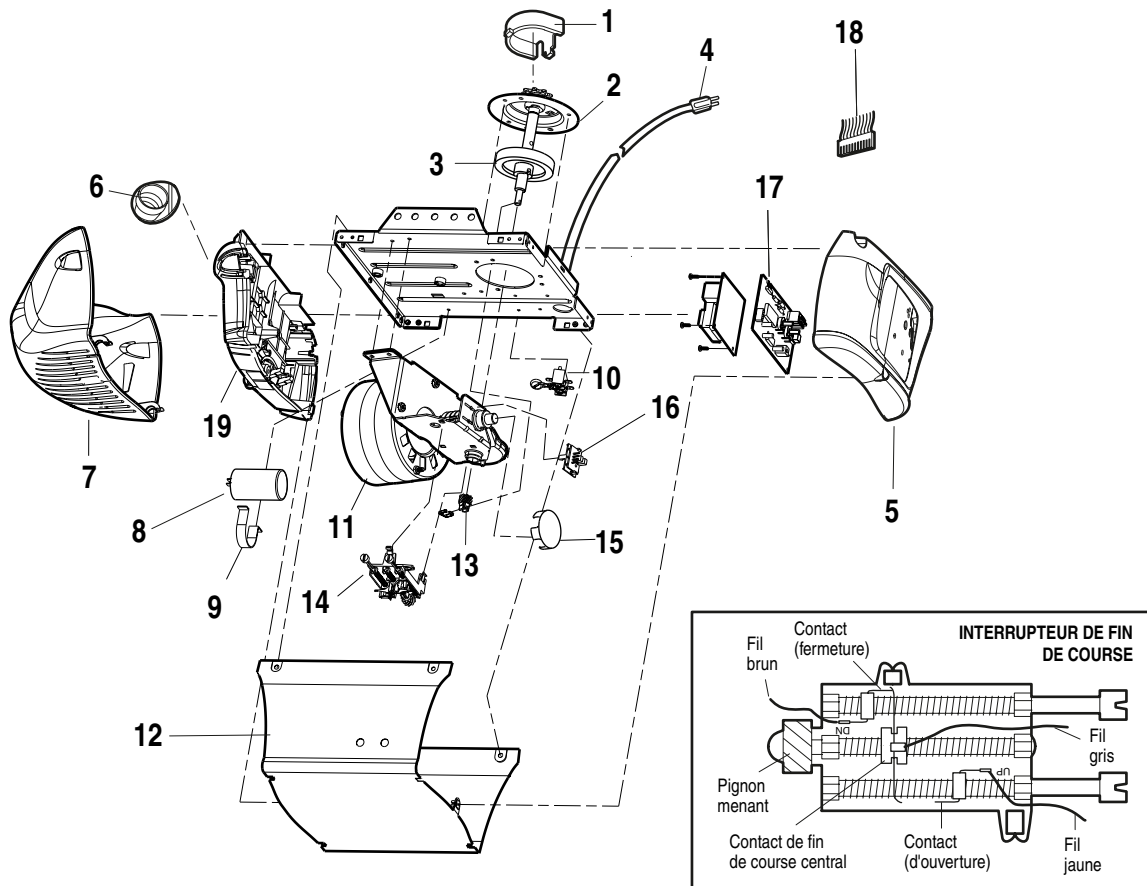
RÉF.	N° DE PIÈCE	DÉSIGNATION
1	4A1008	Maillon de raccord
2	41A4813	Support de poulie de chaîne
3	41A3489	Chariot complet
4	1707LMC	Rail rigide
5	41D3484	Chaîne dans un carton distributeur
6	83A11-2	Graisse à rail

### Pièces pour la pose



RÉF.	N° DE PIÈCE	DÉSIGNATION
1	41A5273-1	Commande de porte Multifonction
2	971LMC	Télécommande à une seule bouton
3	10A20	Pile au lithium 3V 2032
4	29B137	Pince de pare-soleil
5	41A2828	Poignée et corde de déclenchement d'urgence
6	41B4494-1	Fil de sonnerie blanc et blanc/rouge à 2 conducteurs
7	41A4353	Support de porte avec axe de chape et fixation
8	41A5047	Support de linteau avec axe de chape et fixation
9	178B35	Biellette courbée
10	178B34	Biellette droite
11	41A5034	Détecteur inverseur de sécurité (cellules réceptrice et émettrice) avec fil de sonnerie 3 pi à 2 conducteurs
12	41A5266-1	Support de détecteur inverseur de sécurité
		<b>NON ILLUSTRÉS</b>
	41A2770-6	Sac de fixations de montage et de pose (se reporter à la page 7)
	114A2684	Manuel d'instructions

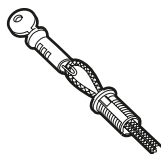
## Pièces d'assemblage du moteur



RÉF.	N° DE PIÈCE	DÉSIGNATION	RÉF.	N° DE PIÈCE	DÉSIGNATION
1	31D380	Cartier du pignon	12	41A5525-1	Couvercle
2	41C4220A	Pignon et engrenage <b>Comprend</b> : Rondelle de blocage, rondelle de butée, jonc d'arrêt, plaque de butée, goupille cylindrique (2), pignon menant et vis sans fin, pignon hélicoïdal avec flasque et graisse	13	41A2818	Entraînement et dispositif de retenue d'interrupteur de fin de course
3	41A2817	Vis sans fin/pignon menant avec graisse, goupille cylindrique (2)	14	41D3452	Interrupteur de fin de course
4	41B4245	Cordon électrique	15	41A2822-1	Coupelle d'interrupteur
5	41A5484-1	Panneau d'extrémité avec toutes les étiquettes	16	41C4398A	Capteur de régime
6	4A1344	Douille d'ampoule	17	41A5483-1B	Plaque logique du récepteur <b>Comprend</b> : Plaque logique, panneau d'extrémité avec toutes les étiquettes, douille
7	108D68	Diffuseur	18	41C5497	Harnais de fils haute tension
8	30B532	Condensateur - 1/2HP		41C5498	Harnais de fils basse tension
	30B387	Condensateur - 1/3HP		41D180-1	Panneau d'extrémité avec toutes les étiquettes
9	12A373	Support de condensateur			<b>NON ILLUSTRÉ</b>
10	41A3150	Bornier à vis		41A2826	Roulement d'arbre
11	41D3058	Moteur de rechange universel et support, <b>Comprend</b> : Moteur, vis sans fin, support, roulement, capteur de régime		41A2825	Sachet des fixations de l'ouvre-porte (comprend les vis non montrées dans l'illustration ci-dessus).

## ACCESSOIRES

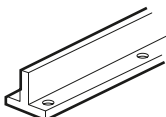
1702LMC



### Détachement rapide d'extérieur :

Nécessaire pour un garage SANS porte d'accès. Permet au propriétaire d'ouvrir la porte de garage manuellement à partir de l'extérieur en déconnectant le chariot.

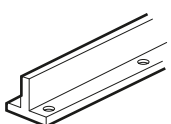
1708LMC



### Rail complet de 8 pieds :

Pour permettre à une porte de 8 pieds de s'ouvrir complètement.

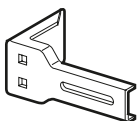
1710LMC



### Rail complet de 10 pieds :

Pour permettre à une porte de 10 pieds de s'ouvrir complètement.

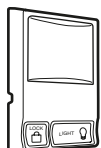
41A5281



### Supports de rallonge :

(Facultatif) Pour la pose du détecteur inverseur de sécurité au mur ou au sol.

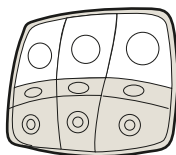
78LMC



### Panneau commande de porte :

Comporte une fonction de verrouillage qui empêche le fonctionnement de la porte à l'aide d'une télécommande et une fonction d'éclairage pour un éclairage constant.

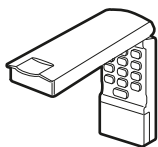
902LMC/903LMC



### Commande murale multifonction pour 2 et 3 portes :

Idéal pour les domiciles qui comptent jusqu'à trois portes. Trois postes de commande logés dans un même panneau pour garder une apparence propre et dégagée. Fonction de verrouillage qui empêche l'actionnement de la porte à l'aide d'une télécommande et commande d'éclairage.

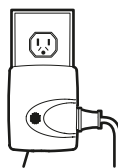
976LMC



### Ouvre-porte sans fil et sans clé avec Security+®

Permet d'ouvrir la porte de l'extérieur en entrant un code sur le clavier de conception spéciale. Peut également ajouter un code temporaire pour les visiteurs ou les préposés au service. Ce code programmable peut être limité à un nombre programmable d'heures ou d'entrées.

995LMC



### Commande d'éclairage :

Permet d'allumer une lampe, un téléviseur ou un autre appareil à partir de la voiture avec l'ouvre-porte ou à partir de n'importe où dans la maison avec une autre télécommande LiftMaster Security+®.

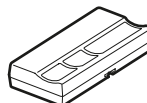
973WC



### Télécommande noyer à 3 touches avec Security+® :

Comprend l'agrafe de pare-soleil.

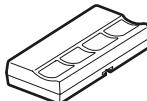
973LMC



### Télécommande à 3 touches avec Security+® :

Comprend l'agrafe de pare-soleil.

974LMC



### Télécommande à 4 touches avec Security+® :

Comprend l'agrafe de pare-soleil.

970LMC



### Mini-télécommande à 3 touches avec Security+® :

Avec porte-clé et ruban d'attache.

915LMC



### Système de détection d'ouverture de porte de garage :

Permet de surveiller la plus grande porte de votre domicile! Indique si la porte du garage est ouverte ou fermée. Peut surveiller jusqu'à 4 portes de garage avec des moniteurs supplémentaires.

916LMC



### Moniteur de porte de garage :

Moniteur supplémentaire pour les domiciles qui comptent plusieurs portes de garage.

## SERVICE LIFTMASTER À VOTRE DISPOSITION

NOTRE IMPORTANT ORGANISATION DE SERVICE APRÈS-VENTE COUVRE TOUTE LES ÉTATS-UNIS ET CANADA.

SEPT JOURS PAR SEMAINE, VOUS POUVEZ OBTENIR PAR TÉLÉPHONE DES INFORMATION SUR L'INSTALLATION ET LE SERVICE APRÈS-VENTE:

COMPOSEZ SIMPLEMENT NOTRE NUMÉRO DE SERVICE:

**1-800-654-4736**

HEURES : (heure standard centrale)  
6 à 19 heures, du lundi au vendredi  
8 à 18 heures, le samedi

8 heures à 16 heures de l'après-midi - le dimanche

[www.liftmaster.com](http://www.liftmaster.com)

Pour une installation, des pièces et un service professionnels, communiquez avec votre dépositaire local CHAMBERLAIN/LIFTMASTER. Recherchez son numéro dans les pages jaunes ou appelez notre numéro de service. Vous obtiendrez la liste des concessionnaires de votre région.

## COMMENT COMMANDER DES PIÈCES DE RECHANGE

Les prix de vente seront fournis sur demande, ou bien les pièces seront expédiées au prix en vigueur et vous seront facturées en conséquence.

LORSQUE VOUS COMMANDEZ DES PIÈCES DE RECHANGE, DONNEZ TOUJOURS LES RENSEIGNEMENTS SUIVANTS:

- NUMÉRO DE LA PIÈCE
- NOM DE LA PIÈCE
- NUMÉRO DE MODÈLE

PASSEZ VOS COMMANDES À:  
THE CHAMBERLAIN GROUP, INC.  
Technical Support Group  
6020 S. Country Club Road  
Tucson, Arizona 85706

NOTRE NUMÉRO DE SERVICE:

**1-800-654-4736**

### GARANTIE LIMITÉE DE UN AN DE LIFTMASTER GARANTIE LIMITÉE DE 4 ANS POUR LE MOTEUR

La société Chamberlain Group Inc. (« le Vendeur ») garantit à l'acheteur au détail initial de ce produit dans la résidence duquel ce produit est originalement installé, que le produit est exempt de tout défaut de matière ou vice de fabrication pour une période de un an à compter de la date d'achat et que le moteur est exempt de défaut de matière et/ou vice de fabrication pour une période de 4 ANS à compter de la date d'achat. Pour que ce produit fonctionne correctement, il faut se conformer aux instructions relatives à l'installation, à l'opération, à la maintenance et aux tests. Le non-respect de ces instructions invalide totalement la présente garantie.

Si, au cours de la période de garantie limitée, ce produit semble contenir un défaut couvert par la présente garantie limitée, appeler le 1-800-654-4736, sans frais, avant de démonter le produit. Envoyer ensuite le produit, en port payé et assuré, à notre centre de service pour que la réparation soit couverte par la garantie. On vous indiquera les directives d'expédition lorsque vous appellerez. Une brève description du problème et un reçu daté prouvant l'achat devront être joints à tout produit retourné pour une réparation sous garantie. Lorsque le Vendeur aura reçu les produits qui lui sont retournés pour réparation, s'il s'avère que les produits étaient effectivement défectueux et couverts par la présente garantie limitée, ils seront réparés ou remplacés (à la seule discrétion du Vendeur) sans frais pour l'acheteur, puis retournés en port payé. Les pièces défectueuses seront réparées ou remplacées par de nouvelles pièces ou des pièces remises à neuf en usine, à la seule discrétion du Vendeur.

LA PRÉSENTE GARANTIE LIMITÉE REMPLACE TOUTE AUTRE GARANTIE, EXPRESSE OU IMPLICITE, NOTAMMENT TOUTE GARANTIE IMPLICITE DE QUALITÉ MARCHANDE OU D'ADAPTATION À UN BUT PARTICULIER, OU AUTRE, ET TOUTE AUTRE OBLIGATION OU RESPONSABILITÉ DE LA PART DU VENDEUR. LA PRÉSENTE GARANTIE LIMITÉE NE COUVRE PAS LES DOMMAGES QUI NE SONT PAS DUS À UN DÉFAUT, CEUX CAUSÉS PAR UNE MAUVAISE INSTALLATION, UNE OPÉRATION OU UN ENTRETIEN INADÉQUATS (INCLUANT, NOTAMMENT, LES AVARIES DUES À UN MAUVAIS TRAITEMENT, UN USAGE NON APPROPRIÉ, L'ABSENCE D'ENTRETIEN RAISONNABLE ET NÉCESSAIRE, DES RÉPARATIONS NON AUTORISÉES OU TOUTE MODIFICATION À CE PRODUIT), LES FRAIS DE MAIN-D'ŒUVRE POUR LA RÉINSTALLATION D'UNE UNITÉ RÉPARÉE OU REMPLACÉE, LE REMPLACEMENT DES PILES ET DES AMPOULES OU DES UNITÉS INSTALLÉES POUR UNE UTILISATION NON RÉSIDENIELLE.

LA PRÉSENTE GARANTIE LIMITÉE NE COUVRE PAS LES PROBLÈMES RELATIFS OU CONNEXES À LA PORTE DU GARAGE OU À LA QUINCAILLERIE DE LA PORTE DU GARAGE, NOTAMMENT LES RESSORTS DE LA PORTE, LES GALETS DE PORTE, L'ALIGNEMENT DE LA PORTE OU LES CHARNIÈRES. DES FRAIS POURRAIENT ÊTRE IMPUTÉS À L'ACHETEUR POUR TOUTE RÉPARATION RÉSULTANT D'UN PROBLÈME CAUSÉ PAR L'UN DE CES ARTICLES.

LE VENDEUR NE SERA EN AUCUN CAS TENU RESPONSABLE DES DOMMAGES SPÉCIAUX OU INDIRECTS RÉSULTANT DE L'UTILISATION OU DE L'IMPOSSIBILITÉ D'UTILISER CE PRODUIT. EN AUCUN CAS LA RESPONSABILITÉ DU VENDEUR POUR L'INOBSERVATION DE GARANTIE, LA RUPTURE DE CONTRAT, LA NÉGLIGENCE OU LA RESPONSABILITÉ OBJECTIVE NE POURRA EXCÉDER LE COÛT DU PRODUIT GARANTI AUX PRÉSENTES. NUL N'EST AUTORISÉ À ASSUMER POUR NOUS D'AUTRES RESPONSABILITÉS RELATIVEMENT À LA VENTE DE CE PRODUIT.

Certaines provinces n'acceptant pas l'exclusion ou les restrictions relatives aux dommages spéciaux ou indirects, les restrictions ou exclusions figurant dans la présente garantie pourraient ne pas s'appliquer. La présente garantie limitée accorde certains droits légaux spécifiques à l'acheteur et il se peut qu'il ait d'autres droits qui varient d'une province à l'autre.



## Free Manuals Download Website

<http://myh66.com>

<http://usermanuals.us>

<http://www.somanuals.com>

<http://www.4manuals.cc>

<http://www.manual-lib.com>

<http://www.404manual.com>

<http://www.luxmanual.com>

<http://aubethermostatmanual.com>

Golf course search by state

<http://golfingnear.com>

Email search by domain

<http://emailbydomain.com>

Auto manuals search

<http://auto.somanuals.com>

TV manuals search

<http://tv.somanuals.com>