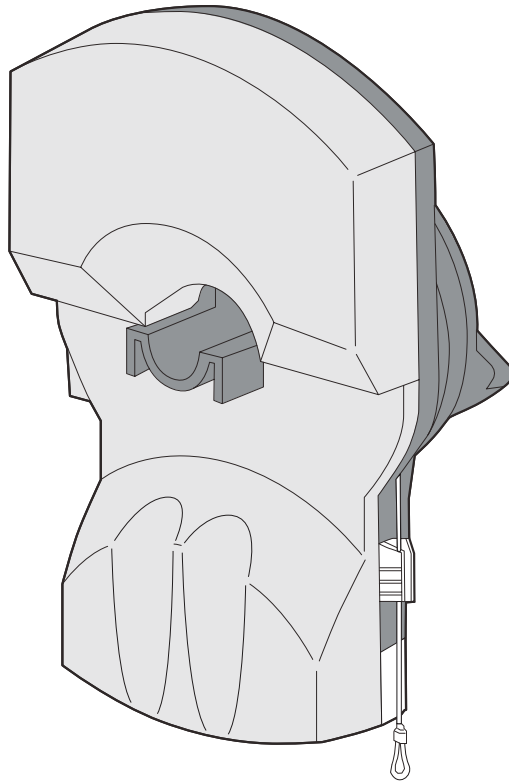


CHAMBERLAIN™

LiftMaster™

PROFESSIONAL



Installation and operating instructions for rolling door opener Model RDO800-series

Chamberlain GmbH
Alfred-Nobel-Strasse 4
66793 Saarwellingen
Germany
TEL: +49 (0) 6838/907-250
FAX: +49 (0) 6838/907-179
www.liftmaster.com

CE

AT/BA/BE/BG/CH/CY/CZ/DE/DK/ES/
FR/GB/GR/HR/HU/IE/IS/IT/LU/MT/NL/
NO/PL/PT/RO/RU/SE/SI/SK/TR/YU



Start by Reading These Important Safety Instructions

WARNING: Failure to comply with the following instructions may result in serious personal injury or property damage.



- Read these instructions carefully and follow ALL instructions carefully
- The garage door opener is designed and tested to offer reasonable safe service provided it is installed and operated in strict accordance with the instructions in this manual.



These safety alert symbols mean **WARNING** – a personal safety or property damage instruction. Read these instructions carefully.

Warning: If your garage has no service entrance door, a 1702E outside quick release must be installed. This accessory allows manual operation of the garage door from outside in case of power failure.



Keep garage door balanced. Do not let the garage door opener compensate for a binding or sticking garage door. Sticking or binding doors must be repaired. Garage doors, door springs, brackets and their hardware are under extreme tension and can cause serious personal injury.



Do not wear rings, watches or loose clothing while installing or servicing a garage door opener.



To avoid serious personal injury from entanglement, **remove all ropes, chains and locks connected to the garage door** before installing the door opener.



Installation and wiring must be in compliance with your local building and electrical codes.



The safety reverse system test is very important. Your garage door **MUST** reverse on contact with a 40mm obstacle placed on the floor. Failure to properly adjust the opener may result in serious personal injury from a closing garage door. **Repeat the test once a month and make any necessary adjustments.**



This opener should not be installed in a damp or wet space.



Take care when operating the manual release since an open door may fall rapidly due to weak or broken springs, or being out of balance.



The drive must not be used on a wicket door (door within a door)



The Protector System must be used for all installations where the closing force as measured on the bottom of the door is over 400N (40kgf). Excessive force will interfere with the proper operation of the Safety Reverse System or damage the garage door.



After installation, ensure that the parts of the door do not extend over public footpaths or roads.



Disengage all existing garage door locks to avoid damage to garage door.

Install the wireless wall control (or any additional wall control) **in a location where the garage door is visible, at a height of at least 1.5m and out of the reach of children. The appliance is not intended for use by young children or infirm persons without supervision.** Serious personal injury from a closing garage door may result from misuse of the opener.



Permanently fasten the **Warning Label** adjacent to the wall control as a reminder of safe operating procedures.



Activate opener only when the door is in full view, free of obstructions and the opener is properly adjusted. No one should enter or leave the garage while the door is in motion. Do not allow children to play near the door.

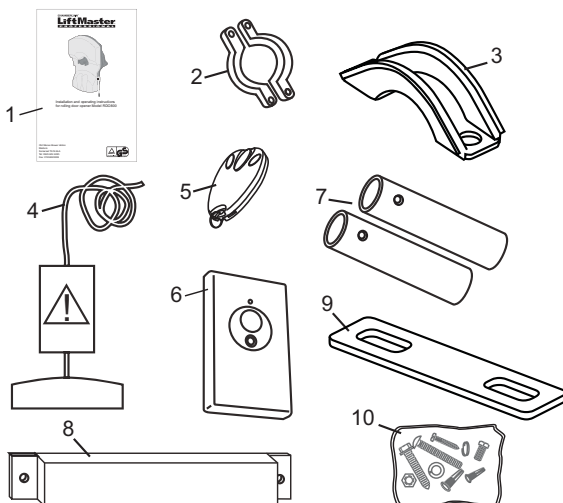


Disconnect electric power to the garage door opener before making repairs or removing covers.

SAVE THESE INSTRUCTIONS

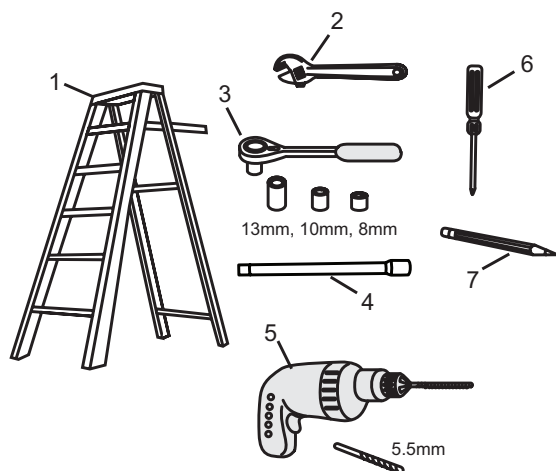
1 Carton Inventory

1. Instruction manual (this document)
2. Stop bracket collar
3. Clamp bracket
4. Release handle and cord
5. 94335 remote control (2)
6. 128LM wireless wall control
7. Extension poles (2)
8. Weight bar
9. Bracket plate
10. Hardware bag



2 Tools Required

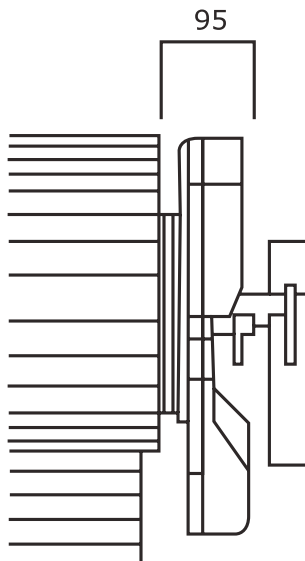
1. Ladder (or similar device to safely support door weight)
2. Adjustable wrench for U-bolts already installed on the door
3. 8mm socket, 10mm socket and 13mm extended socket and socket wrench
4. 12inch socket extension (for minimum sideroom installations)
5. Drill and 5.5mm drill bit
6. Philips screw driver
7. Marker Pen



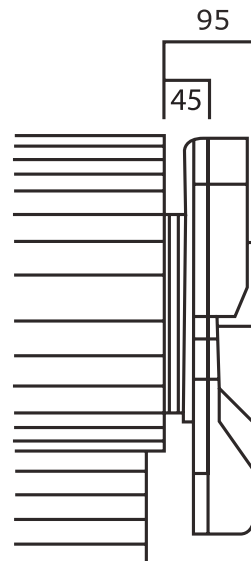
3 Door Requirements

The maximum allowable door height is 4.5m, maximum allowable curtain area is 12.0m² (door height in metres multiplied by the width in metres) and maximum allowable door weight is 100kg.

The Protector System™ (Safety Beams) must be installed if the force at the edge of the closing door force exceeds 400N (40kgf). Door shaft diameter must not exceed 35mm.



Typical side room installation



Minimum side room installation

Ensure that there is at least 45mm from the edge of the curtain to the edge of the bracket. If the roller door drums are on the edge of the curtain or are of small diameter additional clearance may be required.

If the drums are more than 60mm from the curtain edge or of small diameter extension poles may be required.

Different drum and bracket types may result in the minimum side room clearance not being possible and extension poles being required.

Ensure there is a power point near the opener.

4 Prepare Door

Disable locks and remove any ropes connected to garage door.

Complete the following test to ensure your garage door is balanced and is not sticking or binding:

1. Lift the door about halfway as shown. Release the door. If balanced, it should stay in place, supported entirely by its springs.
2. Raise and lower the door to see if there is any sticking or binding. If your door binds, sticks or is out of balance, call a trained door systems technician.

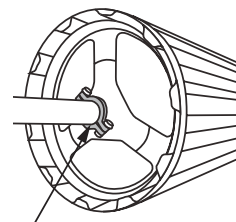
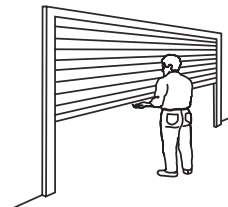
Install stop bracket collar

The stop bracket collar should be installed on the **opposite** end to where the opener will be installed. Fit the stop bracket hard against the boss of the door drum.

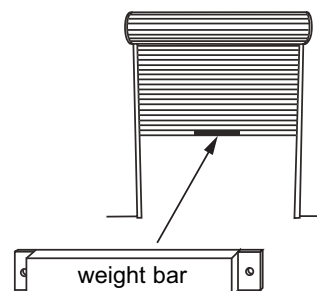
Ensure that the U-bolt holding the door shaft to the door bracket is tightly secured.

Install weight bar

1. Place the weight bar at the bottom centre of the door and mark the two hole positions.
2. Drill two 5.5mm holes at the marked positions.
3. Fix the weight bar to the inside of the door with the supplied 5mm bolts, washers and nuts.



stop bracket collar



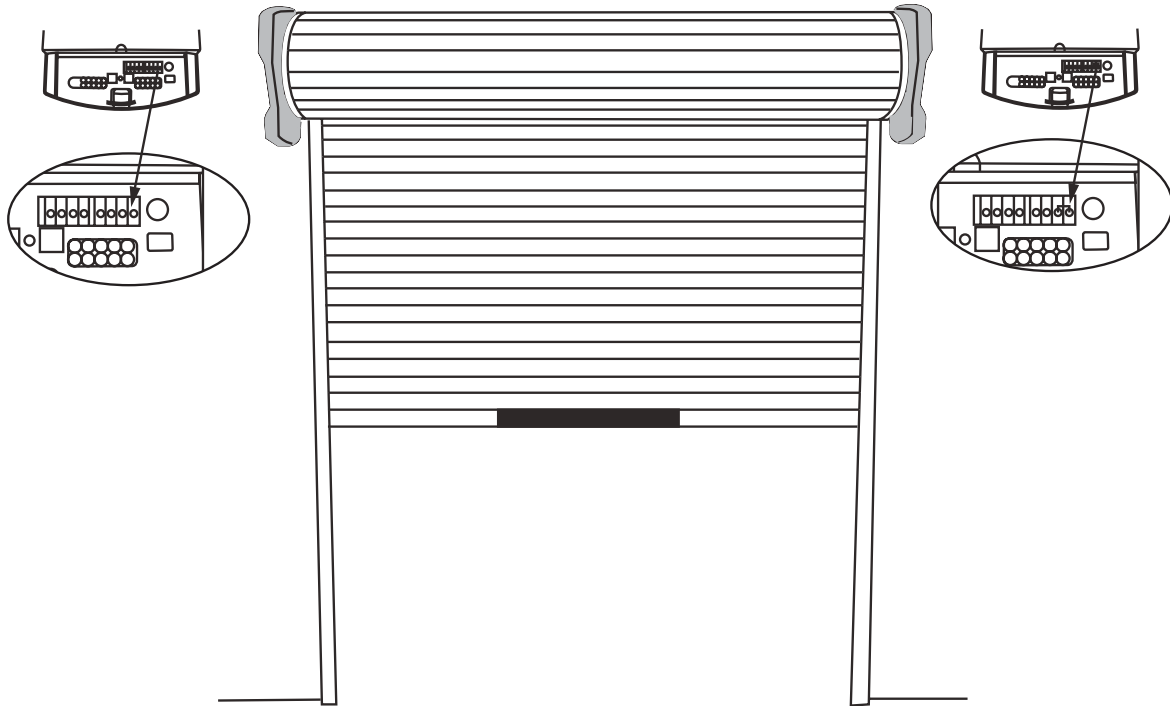
weight bar

5 Prepare Opener

Set Opener Position (Left or Right hand)

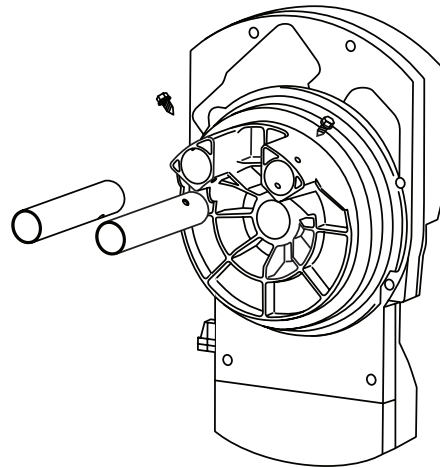
For **left hand side** installations the wire jumper **should be removed**.

For **right hand side** installations the wire jumper **should be in place** (factory installed).



Attaching the Extension Poles (if required)

1. Insert the extension poles into the gear
2. Align the extension pole holes with the gear holes
3. Using the supplied screws secure the extension poles.

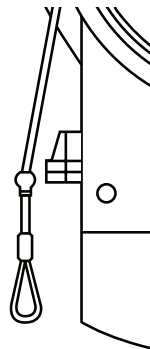


Place the Opener in Manual Release mode.

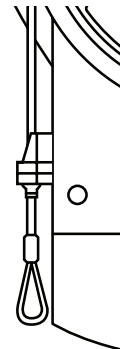
Pull the release cord down and across to engage the ball into the cup.

The drive forks should now be able to be moved manually.

NOTE: To re-engage the opener, pull the release cord across and up.



Engaged
Operation Mode



Disengaged
Manual Release Mode

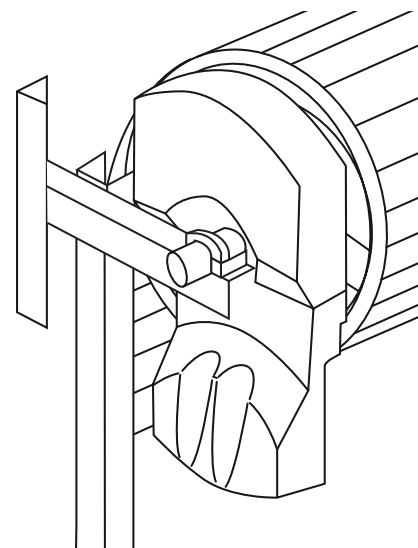
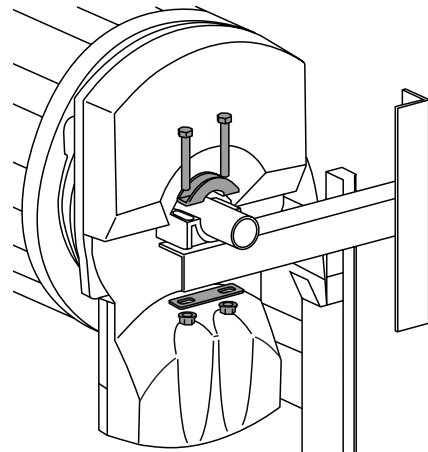
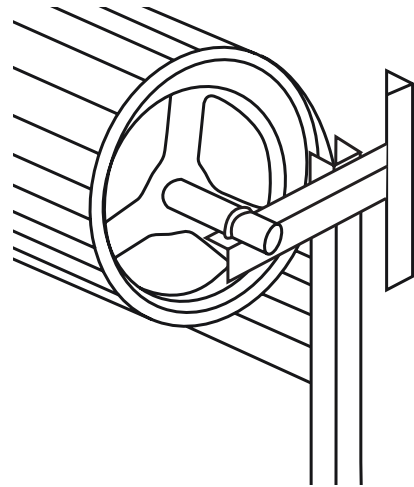
6 Installation steps

FOR RIGHT HAND INSTALLATIONS (REFER SECTION 5, page 3)

1. Ensure that the opener position jumper (wire connector) is in place (refer section 5, page 3).
2. Place the opener in manual release mode (refer section 5, page 3).
3. Open the roller door fully. For safety, tie a rope around the door.
4. **Ensure that the U-bolt on the left hand side of the door is secure.**
5. Mark the position of the door shaft on the right hand door bracket.
6. Carefully remove the U-bolt on the right hand side, checking that the spring tension inside the roller door is not being released.
7. You will need assistance for the following steps. Slide or lift the door shaft clear of the door bracket supporting the door weight with a ladder or similar device. Then slip the opener over the shaft.
8. The forks should engage either side of the support spoke.
9. **Typical installation:** Place the door shaft back onto the door bracket in the position that it was originally. Clamp the opener to the door shaft with the supplied bracket plate, 8mm bolts and nuts. Tighten sufficiently to fasten the opener firmly to the shaft i.e. 25Nm-28Nm. Replace U-bolt and secure firmly.
Minimum side room installation: Place the opener and door shaft onto the door bracket in the position that the door shaft was originally. Clamp the opener to the door shaft through the door bracket with the supplied bracket plate, 8mm bolts and nuts. Tighten sufficiently to fasten the opener firmly to the shaft i.e. 25Nm-28Nm.
10. Remove rope if used.
11. Plug opener into nearby power point and switch on power point, opener lights should now turn on.

FOR LEFT HAND SIDE INSTALLATIONS

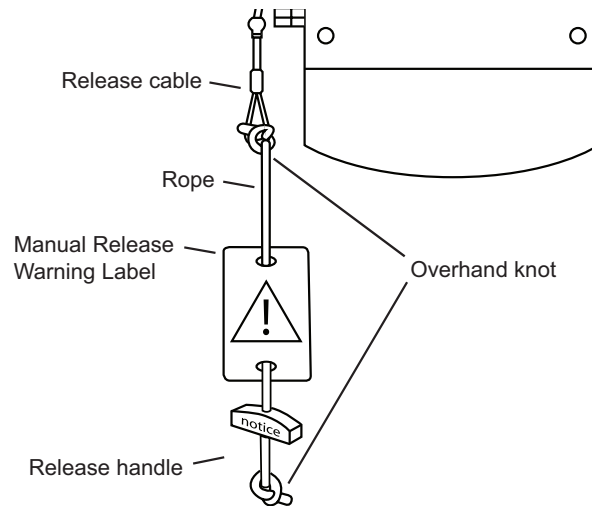
1. Ensure that the opener position jumper (wire connector) has been removed (refer section 5, page 3).
2. Place the opener in manual release mode (refer section 5, page 3).
3. Open the roller door fully. For safety, tie a rope around the door.
4. **Ensure that the U-bolt on the right hand side of the door is secure.**
5. Mark the position of the door shaft on the left hand wall bracket.
6. Carefully remove the U-bolt on the left hand side, checking that the spring tension inside the roller door is not being released.
7. You will need assistance for the following steps. Slide or lift the door shaft clear of the door bracket supporting the door weight with a ladder or similar device. Then slip the opener over the shaft.
8. The forks should engage either side of the support spoke.
9. **Typical installation:** Place the door shaft back onto the door bracket in the position that it was originally. Clamp the opener to the door shaft with the supplied bracket plate, 8mm bolts and nuts. Tighten sufficiently to fasten the opener firmly to the shaft i.e. 25Nm-28Nm. Replace U-bolt and secure firmly.
Minimum side room installation: Place the opener and door shaft onto the door bracket in the position that the door shaft was originally. Clamp the opener to the door shaft through the door bracket with the supplied bracket plate, 8mm bolts and nuts. Tighten sufficiently to fasten the opener firmly to the shaft i.e. 25Nm-28Nm.
12. Remove rope if used.
13. Plug opener into nearby power point and switch on power point, opener lights should now turn on.



7 Attach the Release Handle and Cord

- Thread one end of the rope through the hole in the top of the red handle so "NOTICE" reads right side up as shown. Secure with an overhand knot at least 25mm from the end of the rope to prevent slipping.
- Thread the other end of the rope through the link on the emergency release cable.
- Adjust rope length so the handle is no higher than 1.8m above the floor. Secure with an overhand knot. If the door is greater than 2.5m in height the Release Cord Extension kit accessory is required.

NOTE: If it is necessary to cut the rope, heat seal the cut end with a match or lighter to prevent unraveling.



8 Operating the Manual Release



Take care when operating the manual release since an open door may fall rapidly due to weak or broken springs, or being out of balance.

To disengage the opener

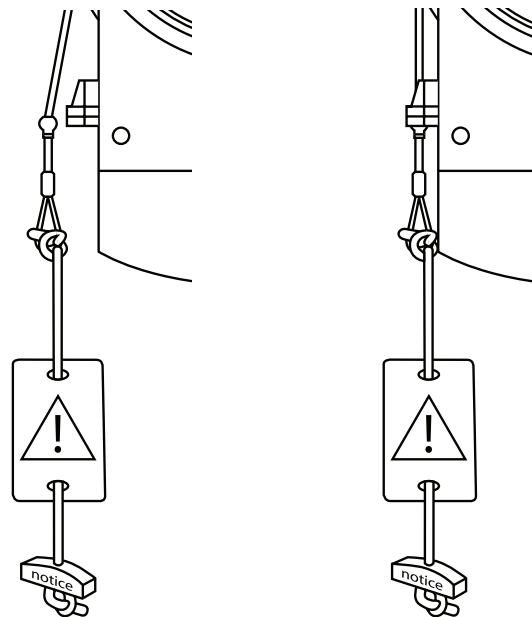
Pull the release cord down and across to engage the ball into the cup.

The door should now be able to be moved manually.

To re-engage the opener

Pull the release cord across and up.

The door can now be operated by the opener.



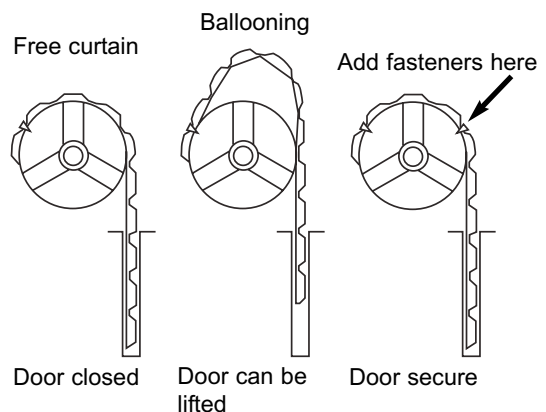
Engaged Operation Mode

Disengaged Manual Release Mode

9 Pinning the Door

Use bolts or pop-rivets (not supplied) to hold the curtain to the door drum.

1. Pull the release cord down and across to engage the ball into the cup. Close the door manually. Pull the release cord across and release to re-engage the opener.
2. Try to manually open the door with the opener engaged. Any excess door curtain may balloon out from the top of the drum.
3. To remedy any ballooning place gutter-bolts or pop rivets (not supplied) 75mm up from where the curtain leaves the roll. Secure these through the curtain into the drum wheel at each end of the curtain.



10 Program your Opener & Remote

Please note your remote controls and wall plate have already been programmed into your opener.

Activate the opener only when door is in full view, free of obstruction and properly adjusted. No one should enter or leave garage while door is in motion. Do not allow children to operate push button(s) or remote(s). Do not allow children to play near the door.

Your garage door opener has already been programmed at the factory to operate with your remote control and wireless wall box.

Fix any wall control at a height of at least 1.5m and within sight of the door but away from any moving parts.

Fix the warning against entrapment label near the wall control.

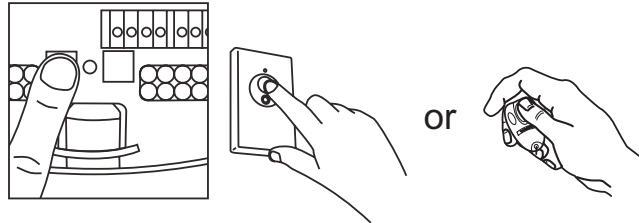
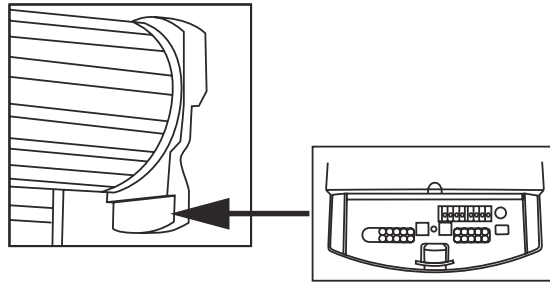
Program additional Remote Controls: Using the purple "LEARN" Button

1. Press and release the purple "learn" button on the opener. The orange indicator light will glow steadily for 30 seconds.
2. Within 30 seconds, press and hold the desired button on the wireless wall control or remote control that you wish to operate your garage door.
3. Release the button when the opener light blinks. It has learned the code.

Delete all Remote Control Codes

Please note this deletes all remotes and codes.

Press and hold the PURPLE learn button until the orange indicator light goes out (approximately 9 sec.).



11 Setting the Limits

Travel limits regulate the points at which the door will stop when moving up or down. Follow the steps below to set the limits.

Check that the opener is engaged.

To program the travel limits:

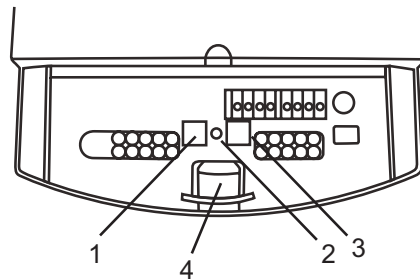
1. Press and hold the black button (3) until the orange indicator light (2) starts flashing slowly and then release. Opener lights will dim.
2. Press the BLACK button to move the door UP or the PURPLE button to move the door DOWN until the door reaches the desired UP limit.

Check to be sure the door is high enough for your vehicle. Adjust if necessary.

3. Press the green start button (4). This sets the full UP limit. The door will travel to the floor and reverse back to the UP limit. The opener has learned its travel limits.
4. The indicator light (2) will stop flashing when the limits have been learned.

NOTE: If the door presses excessively on the floor or reverses before it reaches the floor proceed to #12 of the "Troubleshooting" section page 9 and follow the instructions for setting the limits manually.

The force must be learned in order to properly complete the setting of the limits.



Manual Limit setting

With the door in the midway position.

- Press and hold the black button until the orange LED starts flashing.
- Use the black (up) and purple (down) button to set the door opening limit
- Press the Green activation button to start the door, once it starts travelling down, press either the black or purple button to engage manual limit setting.
- Use the purple and black buttons to set the closing limit.
- Test door three or four times to check limit settings.

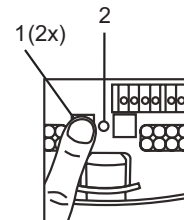
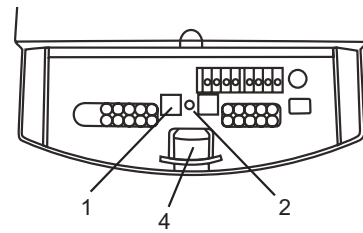
12 Setting the Force

The force, as measured on the closing edge of the door, should not exceed 400N (40kgf). If the closing force is measured to more than 400N, the Protector System must be installed. See section 14.

The force setting regulates the amount of power required to open and close the door.

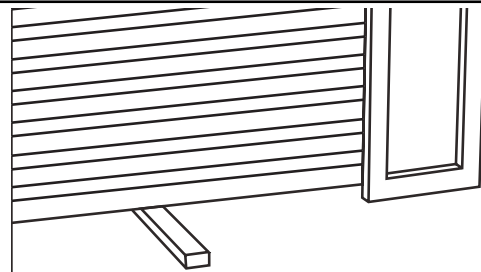
1. Press the purple button (1) twice to enter opener into Force Adjustment Mode. The indicator light (2) will flash quickly.
2. Press the green start button (4) on the bottom of the opener. The door will travel to the DOWN limit. Press the green start button (4) again, the door will travel to the UP limit. Press the green start button (4) again to complete the travel cycle. The indicator light (2) will stop flashing when the force has been learned.

The door must travel through a complete cycle, UP and DOWN, in order for the force to be set properly. If the opener cannot open and close your door fully, inspect your door to insure that it is balanced properly and is not sticking or binding.



13 Testing the Safety Reverse System

The safety reverse system test is important. The garage door must reverse on contact with a 40mm obstacle laid flat on the floor. Failure to properly adjust the opener may result in serious personal injury from a closing garage door. Operate the door in the down direction. The door must reverse on the obstruction. If the door stops on the obstruction, remove obstruction and repeat limit and force setting, sections 11 & 12, pages 6 & 7. Repeat test.



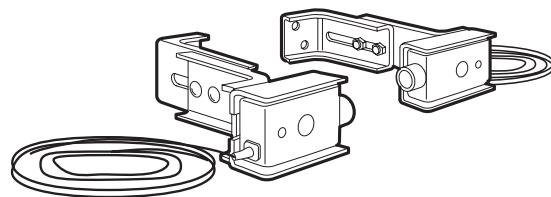
14 Install the Protector System™ (Safety Beams)

Install this accessory for all installations where the closing force as measured on the bottom of the door is over 400N (40kgf).

After opener has been installed and adjusted, The Protector System™ accessory can be installed. Instructions are included with this accessory.

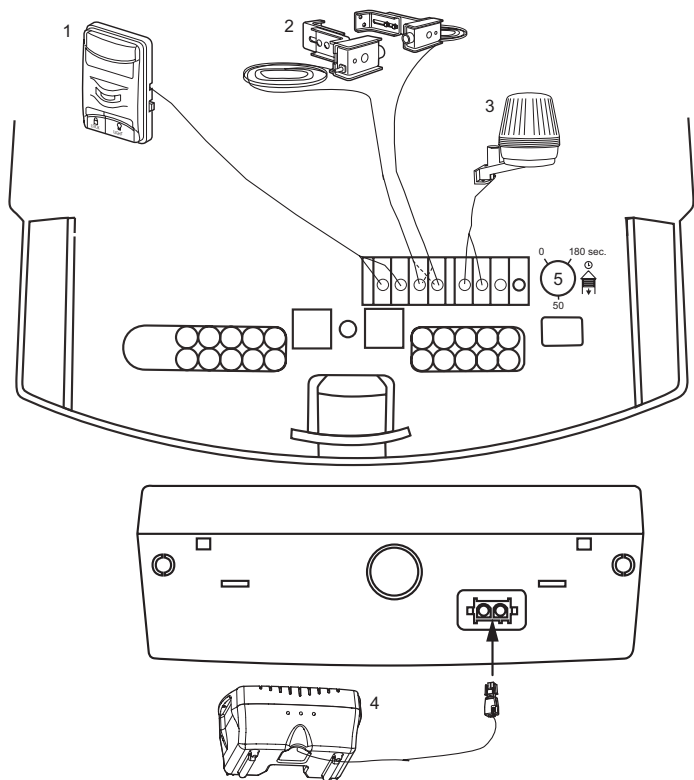
The Protector System™ provides an additional measure of safety against a small child being caught under a garage door. It uses an invisible beam which, when broken by an obstruction, causes a closing door to open and prevents an open door from closing and is strongly recommended for homeowners with young children.

Note: The opener will automatically detect the protector system when it is installed and operating for 5 minutes without the beams being obstructed. The opener will not close unless the sensors are aligned.



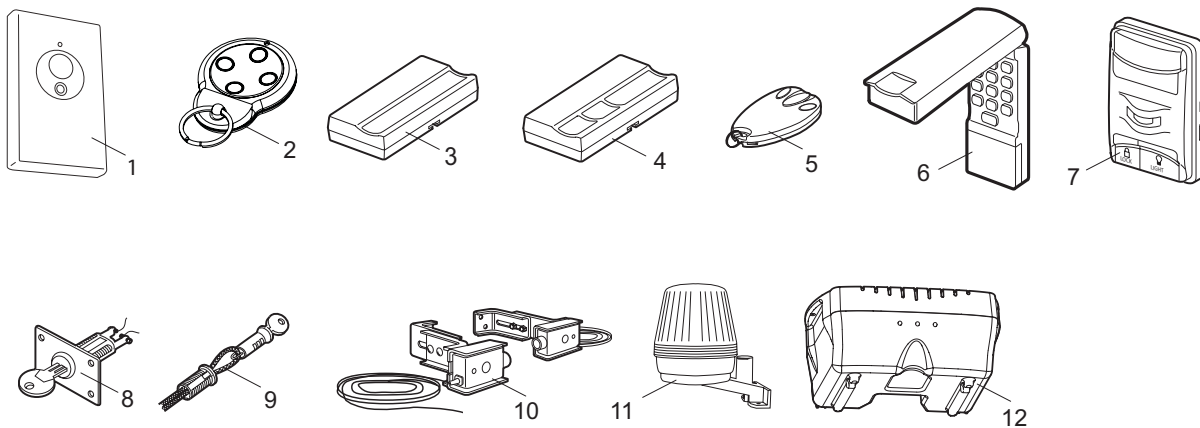
15 Special Features

1. Motion Detecting Control Panel
Connect white/red wire to the red quick connect terminal and the white wire to the white quick connect terminal.
2. The Protector System™ (Safety Beams)
Connect both white wires to the white quick connect terminal and both white/black wires to the grey quick connect terminal.
3. Flashing light connection.
The flashing light can be installed anywhere.
4. Battery Backup
To access the battery backup connector, remove the knockout to the right of the start button.
5. Timer to close function
Is enabled by turning the dial to the required time.
The Protector System (Safety Beams) must be installed before using this function.



16 Accessories

- | | |
|---|--|
| 1. Model 128LM 2-Function Wireless Wall Control | 7. Model 98LM Motion Detecting Control Panel |
| 2. Model 94334E 4-Function Remote Control | 8. Model 760E Outside Keylock |
| 3. Model 94330E Single-Function Remote Control | 9. Model 1702E Outside Quick Release |
| 4. Model 94333E 3-Function Remote Control | 10. Model 770E The Protector System™ |
| 5. Model 94335 3-Function Mini Remote Control | 11. Model FLA230 Flashing Light Kit |
| 6. Model 9747E Keyless Entry System | 12. Model 475 Battery Backup System |



CARE OF YOUR OPENER

When properly installed, your opener will provide high performance with a minimum of maintenance. The opener does not require additional lubrication. Limit and Force Settings: These settings must be checked and properly set when the opener is installed. Weather conditions may cause some minor changes in the door operation, requiring some re-adjustments, particularly during the first year of operation. Refer to limit and force setting in, sections 11 & 12, pages 6 & 7. Follow the instructions carefully and repeat the safety reverse test after any adjustment.

Remote Control: Additional remotes can be purchased at any time. Refer to Accessories. Any new remotes must be programmed into the opener. Remote Control Battery: The lithium batteries should produce power for up to 5 years. If transmission range lessens, replace the battery.

Troubleshooting

1. The opener doesn't operate from either the green start button or the remote controls:

- Does the opener have electric power? Plug a lamp into the outlet. If it doesn't light, check the fuse box.
- Have you disabled all door locks? Review installation instruction warnings on page 1.
- Is there a build-up of ice or snow under the door? The door may be frozen to the ground. Remove any restriction.
- The garage door spring may be broken. Have it replaced.

2. Opener operates from the remote control, but not from the wired wall control (optional accessory):

- Is the wall control lit? If not, reverse the two wires. If the opener runs, check for a faulty wire connection at the wall control, a short under the staples, or a broken wire.
- Are the wiring connections correct? Refer to wired wall control instructions.

3. The door operates from the green start button or wired wall control, but not from the wireless wall control or remote control:

- If the wired wall control is installed and it is flashing, ensure the Lock feature is off.
- Program the opener to match the remote control code. (Refer to section 10, page 6.) Repeat with all remotes.

4. The remote control has short range:

- Change the location of the remote control in your car.
- Check to be sure the antenna on the bottom of the opener extends fully downward.
- Some installations may have shorter range due to a metal door, foil backed insulation, or metal garage siding.

5. The garage door opens and closes by itself:

- Be sure that all remote control push buttons are off.
- If the wired wall control (optional accessory) is installed, remove the bell wire from the wired wall control terminals and operate from the green start button or remote control. If this solves the problem, the wired wall control is faulty (replace), or there is an intermittent short on the wire between the wired wall control and the opener.
- Clear memory and re-program all wireless wall controls and remote controls.

6. The door reverses and stops before opening completely:

- Is something obstructing the door? Is it out of balance, or are the springs broken? Remove the obstruction or repair the door.

7. The door reverses for no apparent reason and opener lights blink for 5 seconds after reversing:

- Check the Protector System (safety beams), if installed. Correct alignment if the red light on the beam is blinking.

8. The door opens but won't close or reverses while closing:

- Is something obstructing the door? Pull the emergency release handle. Operate the door manually. If it is unbalanced or binding, call a trained door systems technician.
- Clear any ice or snow from the garage floor area where the door closes.
- Repeat the limit and force setting in section 11 & 12, pages 6 & 7. Repeat safety reverse test after adjustments.

9. The opener strains to operate door:

- The door may be out of balance or the springs may be broken. Close the door and use the manual release to disconnect the door. Open and close the door manually. A properly balanced door will stay in any point of travel while being supported entirely by its springs. If it does not, disconnect the opener and call a trained door systems technician.

10. The opener motor hums briefly, then won't work:

- Check that the door is not in manual release mode, refer section 8, page 5.
- The garage door springs may be broken. See above.
- If the problem occurs on the first operation of the opener, door may be locked. Disable any door locks.

11. The opener won't operate due to power failure:

- Use the emergency release handle to disconnect the door. The door can be opened and closed manually. When power is restored, re-engage the opener, refer section 8, page 5.
- If a Battery Backup Unit is connected, the opener should be able to operate up to 20 times without power.

12. Setting the limits manually:

- a. Check that the opener position jumper is correct, refer section 5, page 3.
- b. Press and hold the black button until the orange indicator light starts flashing slowly then release.
- c. Press the BLACK button to move the door UP or the PURPLE button to move the door DOWN until the door reaches the desired UP limit. Check to be sure the door opens high enough for your vehicle.
- d. Press the green start button. This sets the UP limit and begins closing the door. Immediately press either the purple or the black button. The door will stop. Adjust the desired DOWN limit using the black and the purple buttons. Check to be sure the door is fully closed without applying excessive pressure to the door curtain. Press the green start button. This sets the DOWN limit and begins opening the door.
NOTE: If neither the black or the purple button is pressed, the door will reverse off the floor and the DOWN travel limit will be set automatically.
- e. Open and close the door with the green start button, remote control or wall control 2 or 3 times.
 - If the door does not stop in the desired UP limit or reverses before the door stops at the DOWN limit. Proceed to Setting the Force, section 12, page 7. If the door still does not stop at the desired limits is something obstructing the door? Disengage the opener. Open and close the door manually. If it is unbalanced or binding, call a trained door systems technician.
 - If the door stops at both the desired UP and DOWN limits, proceed to Setting the Force.

13. Auto close does not work:

- Check alignment of beams (LED indicators should be solid). If setting up see 15 page 8. To reset Auto detect of the safety beams. Turn off the power, (remove battery back up if installed) and set timer trim pot to zero before restoring power.

MAINTENANCE OF YOUR OPENER

Once a Month:

- Repeat safety reverse test.
Make any necessary adjustments.
- Manually operate door. If it is unbalanced or binding, call for professional garage door service.
- Check to be sure door opens and closes fully.
Set Limits and/or Force if necessary.

OPERATION OF YOUR OPENER

Your opener can be activated by any of the following devices:

- **The green start button**
Hold the button down until door starts to move.
- **The Wall Control, Outside Keylock or Keyless Entry System** (if you have installed any of these accessories).
- **The Remote Control Transmitter or Wireless Wall Control (128LM)**
Hold the push button down until the door starts to move.

When the Opener is activated by Remote Control, Green Start Button or Wall Control:

1. If open, the door will close. If closed, the door will open.
2. If closing, the door will stop.
3. If opening, the door will stop (allowing space for entry and exit of pets and for fresh air).
4. If the door has been stopped in a partially open or closed position, it will reverse direction.
5. If an obstruction is encountered while closing, the door will reverse.
6. If an obstruction is encountered while opening, the door will reverse and stop.
7. The optional Protector System™ uses an invisible beam which, when broken by an obstruction, causes a closing door to open and prevents an open door from closing. It is **STRONGLY RECOMMENDED** for homeowners with young children.
Allow a 15 minute cooling period after 4 minutes of continuous operation of the opener.

Opening the Door Manually:

Door should be fully closed if possible. Weak or broken springs could allow an open door to fall rapidly. Property damage or serious personal injury could result.

The door can be opened manually by pulling the release cord down and across to engage the ball into the cup. To reconnect the door, pull the release cord across and up to engage the opener .

The Opener Light Will Turn On:

1. when opener is initially plugged in;
 2. when the power is briefly interrupted;
 3. when the opener is activated.
- The light turns off automatically after 2-1/2 minutes.

SPECIFICATIONS

Input Voltage:	230-240VAC, 50Hz, 90W
Rated Load:	18Nm
Max.Pull Force:	550N
Max. Door Weight	100kg
Idle Current:	less than 25mA @ 230VAC
Drive:	DC gearmotor permanent lubrication
Max. Drum Rotations:	5
Memory Registers:	64
Operating Frequency:	433.92MHz

SPECIAL NOTE: Chamberlain strongly recommends that the protector system be installed on all garage door openers.

GARAGE DOOR OPENER WARRANTY

Chamberlain warrants to the first retail purchaser of this product that the product shall be free from any defect in materials and/or workmanship for a period of 24 full months (2 years) from the date of purchase. Upon receipt of the product, the first retail purchaser is under obligation to check the product for any visible defects.

Conditions: The warranty is strictly limited to the reparation or replacement of the parts of this product which are found to be defective and does not cover the costs or risks of transportation of the defective parts or product.

This warranty does not cover non-defect damage caused by unreasonable use (including use not in complete accordance with Chamberlain's instructions for installation, operation and care; failure to provide necessary maintenance and adjustment; or any adaptations of or alterations to the products), labor charges for dismantling or reinstalling of a repaired or replaced unit or replacement batteries.

A product under warranty which is determined to be defective in materials and/or workmanship will be repaired or replaced (at Chamberlain's option) at no cost to the owner for the repair and/or replacement parts and/or product. Defective parts will be repaired or replaced with new or factory rebuilt parts at Chamberlain's option.

If, during the warranty period, the product appears as though it may be defective, contact your original place of purchase.

This warranty does not affect the purchaser's statutory rights under applicable national legislation in force nor the purchaser's rights against the retailer arising from their sales/purchase contract. In the absence of applicable national or EU legislation, this warranty will be the purchaser's sole and exclusive remedy, and neither Chamberlain nor its affiliates or distributors shall be liable for any incidental or consequential damages for any express or implied warranty relating to this product.

No representative or person is authorized to assume for Chamberlain any other liability in connection with the sale of this product.

Declaration of Conformity

Automatic rolling door openers, as stated, are in conformity to the applicable sections of EN55014-1 (2000), EN55014-2 (1997), EN61000-3-2 (2000), EN61000-3-3 (1995), EN 301 489-3 (V1.3.1), EN 300 220-3 (V1.1.1), EN60335-1 (1994), and EN60335-2-95 (2000).

Per the provisions of the European Directives, 89/336/EEC, 2006/95/EC and 1999/5/EC, including all amendments;

Model:.....RDO800

All technical file information for the operator and its accessories is held at The Chamberlain Group and will be made available at the request of the authorities should the need arise.

Declaration of Incorporation

A power door operator must not be put into service until it has been completely and safely assembled and installed, with appropriate size and weight of door, in accordance with both the door and operator manufacturers' instructions using appropriate safety devices, and the complete installation has been declared in conformity with the provisions of EN12453, EN13241-1 and the Machinery Directive, 98/37/EC.

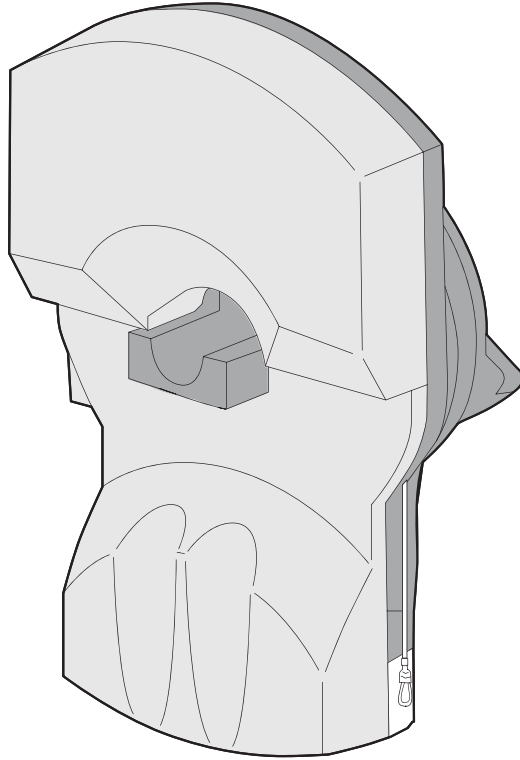
Door Type: Rolling Door

Operator Type	Maximum Area (m2)	Installer: Indicate Installed Door Size	Maximum Weight (kg)	Installer: Indicate Installed Door Weight
RDO800	12.0		100	

These declarations are made by:

Barbara P. Kelkhoff B. P. Kelkhoff Manager, Regulatory Affairs Chamberlain GmbH. D-66793 Saarwellingen June, 2007	_____ Installer Name/Signature
	_____ Company Name
	_____ Address
	_____ Date

CHAMBERLAIN™
LiftMaster™
PROFESSIONAL



Installation and operating instructions for
rolling door opener Model RDO800GB

Chamberlain GmbH
Alfred-Nobel-Strasse 4
66793 Saarwellingen
Germany
TEL: +49 (0) 6838/907-250
FAX: +49 (0) 6838/907-179
www.liftmaster.com



AT/BA/BE/BG/CH/CY/CZ/DE/DK/ES/
FR/GB/GR/HR/HU/IE/IS/IT/LU/MT/NL/
NO/PL/PT/RO/RU/SE/SI/SK/TR/YU



Start by Reading These Important Safety Instructions

WARNING: Failure to comply with the following instructions may result in serious personal injury or property damage.



- Read these instructions carefully and follow ALL instructions carefully
- The garage door opener is designed and tested to offer reasonable safe service provided it is installed and operated in strict accordance with the instructions in this manual.



These safety alert symbols mean **WARNING** – a personal safety or property damage instruction. Read these instructions carefully.

Warning: If your garage has no service entrance door, a 1702E outside quick release must be installed. This accessory allows manual operation of the garage door from outside in case of power failure.



Keep garage door balanced. Do not let the garage door opener compensate for a binding or sticking garage door. Sticking or binding doors must be repaired. Garage doors, door springs, brackets and their hardware are under extreme tension and can cause serious personal injury.



Do not wear rings, watches or loose clothing while installing or servicing a garage door opener.



To avoid serious personal injury from entanglement, **remove all ropes, chains and locks connected to the garage door** before installing the door opener.



Installation and wiring must be in compliance with your local building and electrical codes.



The safety reverse system test is very important. Your garage door **MUST** reverse on contact with a 40mm obstacle placed on the floor. Failure to properly adjust the opener may result in serious personal injury from a closing garage door. **Repeat the test once a month and make any necessary adjustments.**



This opener should not be installed in a damp or wet space.



Take care when operating the manual release since an open door may fall rapidly due to weak or broken springs, or being out of balance.



The drive must not be used on a wicket door (door within a door)



The Protector System must be used for all installations where the closing force as measured on the bottom of the door is over 400N (40kgf). Excessive force will interfere with the proper operation of the Safety Reverse System or damage the garage door.



After installation, ensure that the parts of the door do not extend over public footpaths or roads.



Disengage all existing garage door locks to avoid damage to garage door.

Install the wireless wall control (or any additional wall control) **in a location where the garage door is visible, at a height of at least 1.5m and out of the reach of children. The appliance is not intended for use by young children or infirm persons without supervision.** Serious personal injury from a closing garage door may result from misuse of the opener.



Permanently fasten the **Warning Label** adjacent to the wall control as a reminder of safe operating procedures.



Activate opener only when the door is in full view, free of obstructions and the opener is properly adjusted. No one should enter or leave the garage while the door is in motion. Do not allow children to play near the door.

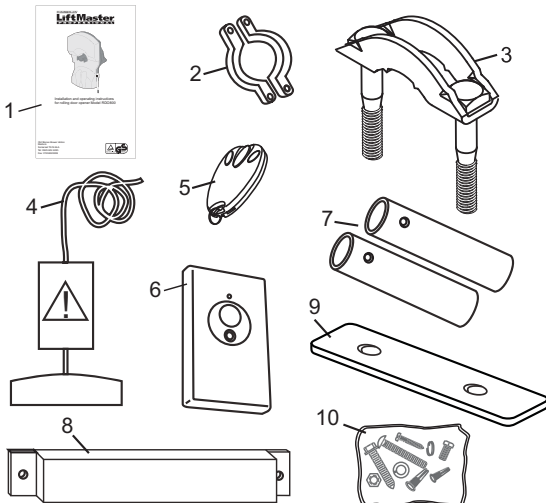


Disconnect electric power to the garage door opener before making repairs or removing covers.

SAVE THESE INSTRUCTIONS

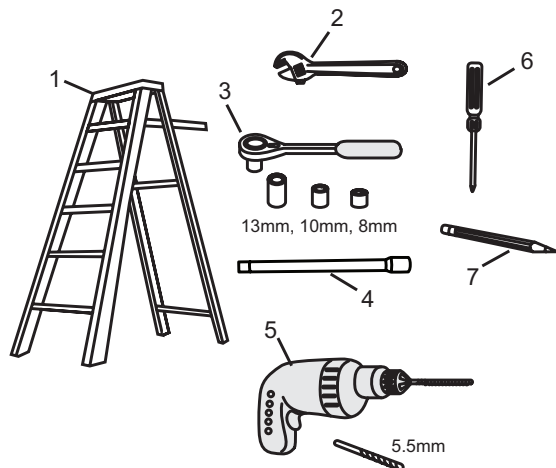
1 Carton Inventory

1. Instruction manual (this document)
2. Stop bracket collar
3. Clamp bracket
4. Release handle and cord
5. 94335 remote control (2)
6. 128LM wireless wall control
7. Extension poles (2)
8. Weight bar
9. Bracket plate
10. Hardware bag



2 Tools Required

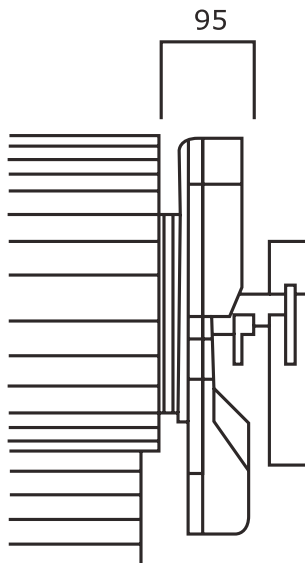
1. Ladder (or similar device to safely support door weight)
2. Adjustable wrench for U-bolts already installed on the door
3. 8mm socket, 10mm socket and 13mm extended socket and socket wrench
4. 12inch socket extension (for minimum sideroom installations)
5. Drill and 5.5mm drill bit
6. Philips screw driver
7. Marker Pen



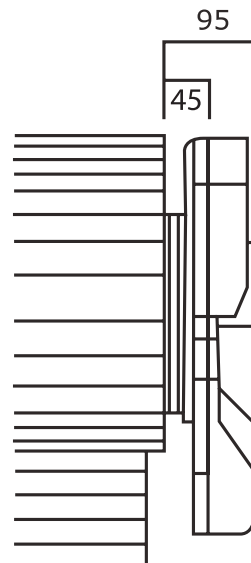
3 Door Requirements

The maximum allowable door height is 4.5m, maximum allowable curtain area is 12.0m² (door height in metres multiplied by the width in metres) and maximum allowable door weight is 100kg.

The Protector System™ (Safety Beams) must be installed if the force at the edge of the closing door force exceeds 400N (40kgf). Door shaft diameter must not exceed 35mm.



Typical side room installation



Minimum side room installation

Ensure that there is at least 45mm from the edge of the curtain to the edge of the bracket. If the roller door drums are on the edge of the curtain or are of small diameter additional clearance may be required.

If the drums are more than 60mm from the curtain edge or of small diameter extension poles may be required.

Different drum and bracket types may result in the minimum side room clearance not being possible and extension poles being required.

Ensure there is a power point near the opener.

4 Prepare Door

Disable locks and remove any ropes connected to garage door.

Complete the following test to ensure your garage door is balanced and is not sticking or binding:

1. Lift the door about halfway as shown. Release the door. If balanced, it should stay in place, supported entirely by its springs.
2. Raise and lower the door to see if there is any sticking or binding. If your door binds, sticks or is out of balance, call a trained door systems technician.

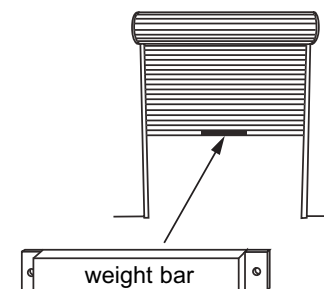
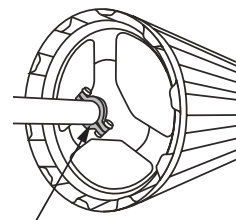
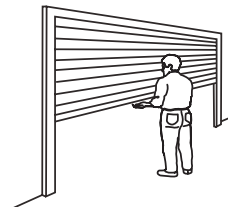
Install stop bracket collar

The stop bracket collar should be installed on the **opposite** end to where the opener will be installed. Fit the stop bracket hard against the boss of the door drum.

Ensure that the U-bolt holding the door shaft to the door bracket is tightly secured.

Install weight bar

1. Place the weight bar at the bottom centre of the door and mark the two hole positions.
2. Drill two 5.5mm holes at the marked positions.
3. Fix the weight bar to the inside of the door with the supplied 5mm bolts, washers and nuts.

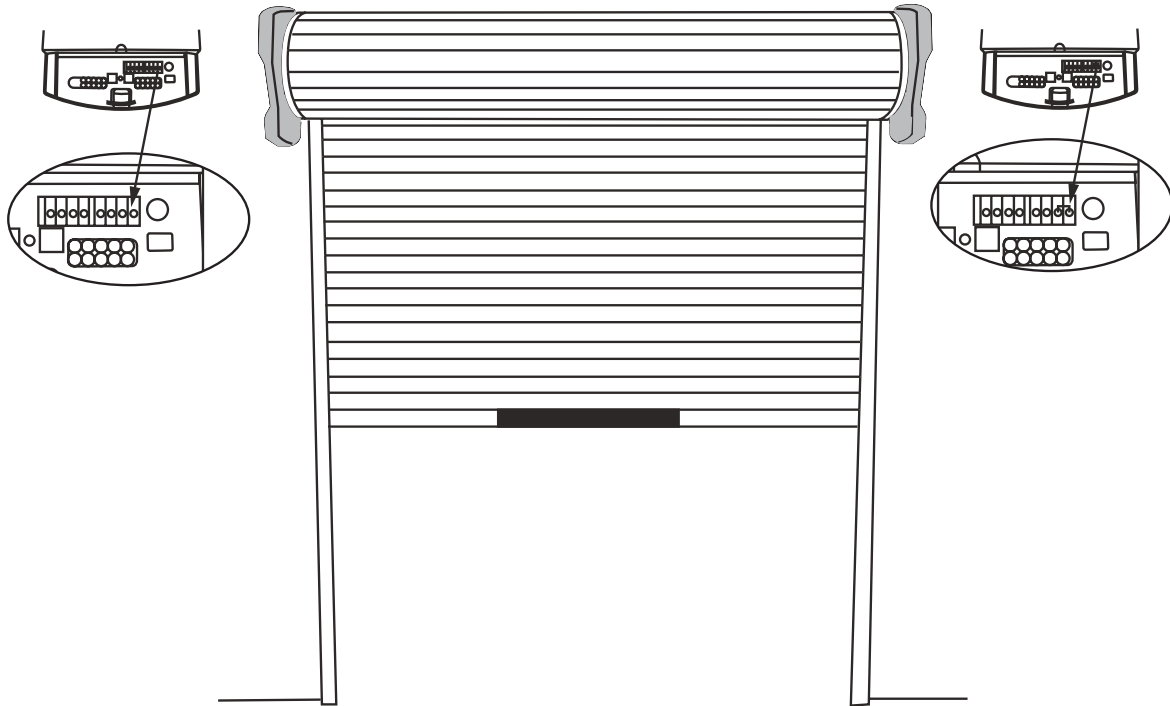


5 Prepare Opener

Set Opener Position (Left or Right hand)

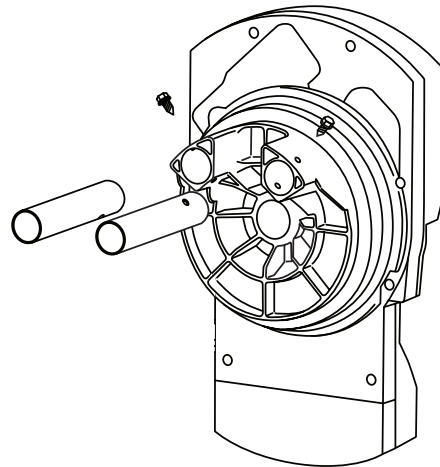
For **left hand side** installations the wire jumper **should be removed**.

For **right hand side** installations the wire jumper **should be in place** (factory installed).



Attaching the Extension Poles (if required)

1. Insert the extension poles into the gear
2. Align the extension pole holes with the gear holes
3. Using the supplied screws secure the extension poles.



Place the Opener in Manual Release mode.

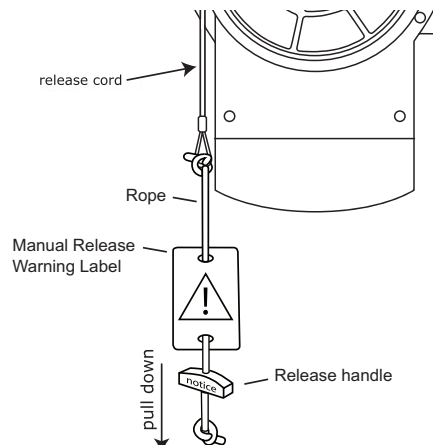
Disengage:

Pull the release cord down once until you hear a clicking sound. The operator is now in manual mode and may be opened or closed.

Engage:

To re-engage the opener, pull the release cord down until you hear a clicking sound, the motor is now ready for operation.

Note: The drive forks may now be positioned into the drum as required.



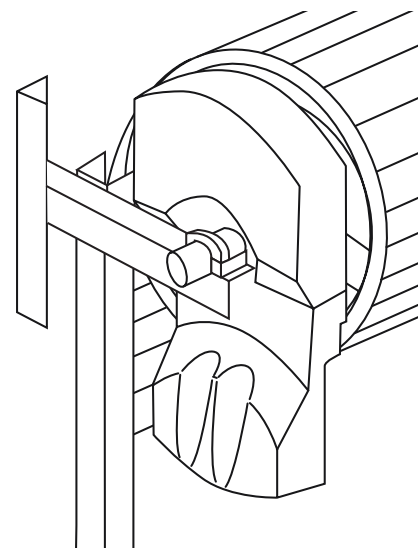
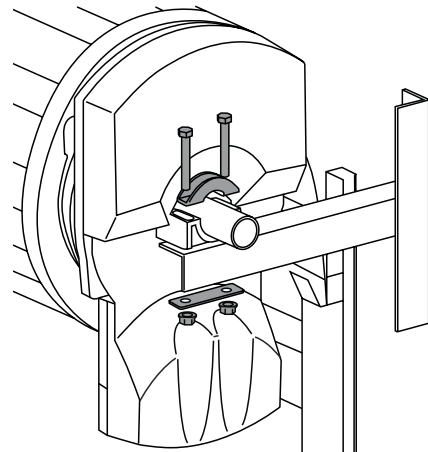
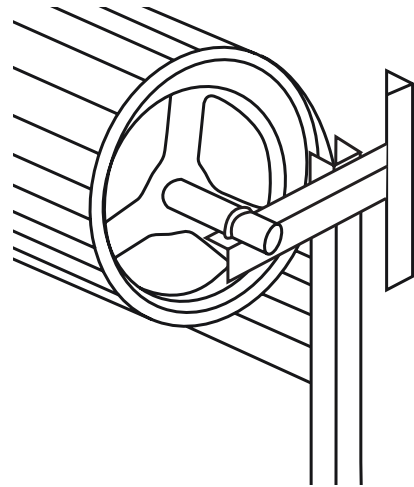
6 Installation steps

FOR RIGHT HAND INSTALLATIONS (REFER SECTION 5, page 3)

1. Ensure that the opener position jumper (wire connector) is in place (refer section 5, page 3).
2. Place the opener in manual release mode (refer section 5, page 3).
3. Open the roller door fully. For safety, tie a rope around the door.
4. **Ensure that the U-bolt on the left hand side of the door is secure.**
5. Mark the position of the door shaft on the right hand door bracket.
6. Carefully remove the U-bolt on the right hand side, checking that the spring tension inside the roller door is not being released.
7. You will need assistance for the following steps. Slide or lift the door shaft clear of the door bracket supporting the door weight with a ladder or similar device. Then slip the opener over the shaft.
8. The forks should engage either side of the support spoke.
9. **Typical installation:** Place the door shaft back onto the door bracket in the position that it was originally. Clamp the opener to the door shaft with the supplied bracket plate, 8mm bolts and nuts. Tighten sufficiently to fasten the opener firmly to the shaft i.e. 25Nm-28Nm. Replace U-bolt and secure firmly.
Minimum side room installation: Place the opener and door shaft onto the door bracket in the position that the door shaft was originally. Clamp the opener to the door shaft through the door bracket with the supplied bracket plate, 8mm bolts and nuts. Tighten sufficiently to fasten the opener firmly to the shaft i.e. 25Nm-28Nm.
10. Remove rope if used.
11. Plug opener into nearby power point and switch on power point, opener lights should now turn on.

FOR LEFT HAND SIDE INSTALLATIONS

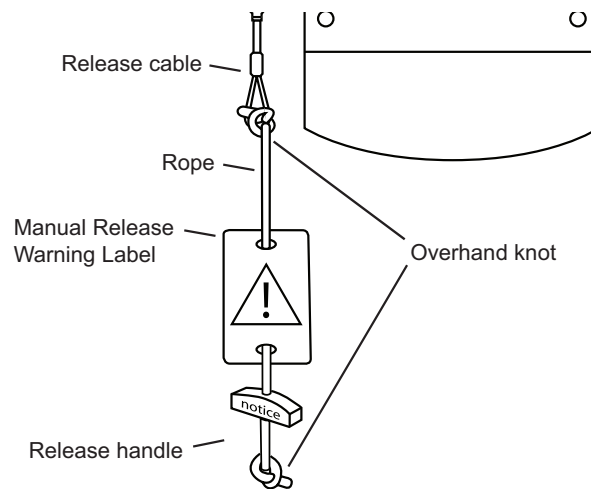
1. Ensure that the opener position jumper (wire connector) has been removed (refer section 5, page 3).
2. Place the opener in manual release mode (refer section 5, page 3).
3. Open the roller door fully. For safety, tie a rope around the door.
4. **Ensure that the U-bolt on the right hand side of the door is secure.**
5. Mark the position of the door shaft on the left hand wall bracket.
6. Carefully remove the U-bolt on the left hand side, checking that the spring tension inside the roller door is not being released.
7. You will need assistance for the following steps. Slide or lift the door shaft clear of the door bracket supporting the door weight with a ladder or similar device. Then slip the opener over the shaft.
8. The forks should engage either side of the support spoke.
9. **Typical installation:** Place the door shaft back onto the door bracket in the position that it was originally. Clamp the opener to the door shaft with the supplied bracket plate, 8mm bolts and nuts. Tighten sufficiently to fasten the opener firmly to the shaft i.e. 25Nm-28Nm. Replace U-bolt and secure firmly.
Minimum side room installation: Place the opener and door shaft onto the door bracket in the position that the door shaft was originally. Clamp the opener to the door shaft through the door bracket with the supplied bracket plate, 8mm bolts and nuts. Tighten sufficiently to fasten the opener firmly to the shaft i.e. 25Nm-28Nm.
12. Remove rope if used.
13. Plug opener into nearby power point and switch on power point, opener lights should now turn on.



7 Attach the Release Handle and Cord

- Thread one end of the rope through the hole in the top of the red handle so "NOTICE" reads right side up as shown. Secure with an overhand knot at least 25mm from the end of the rope to prevent slipping.
- Thread the other end of the rope through the link on the emergency release cable.
- Adjust rope length so the handle is no higher than 1.8m above the floor. Secure with an overhand knot. If the door is greater than 2.5m in height the Release Cord Extension kit accessory is required.

NOTE: If it is necessary to cut the rope, heat seal the cut end with a match or lighter to prevent unraveling.



8 Operating the Manual Release



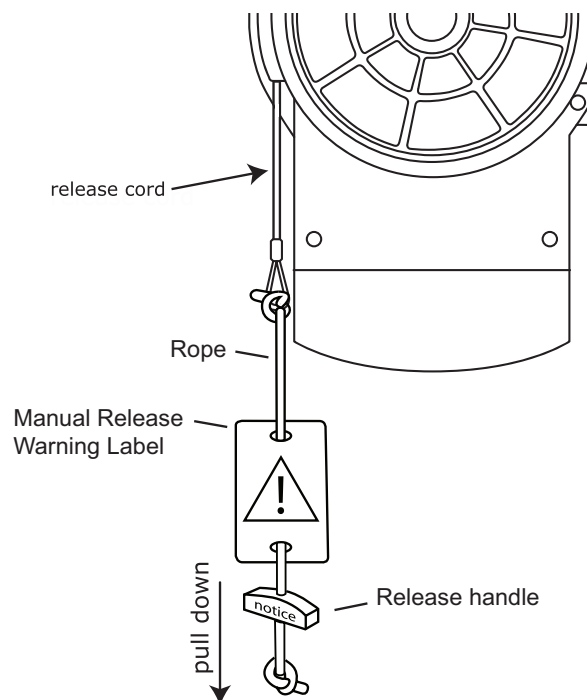
Take care when operating the manual release since an open door may fall rapidly due to weak or broken springs, or being out of balance.

To disengage the opener

Pull the release cord down once until you hear a clicking sound. The door should now be able to be moved manually.

To re-engage the opener

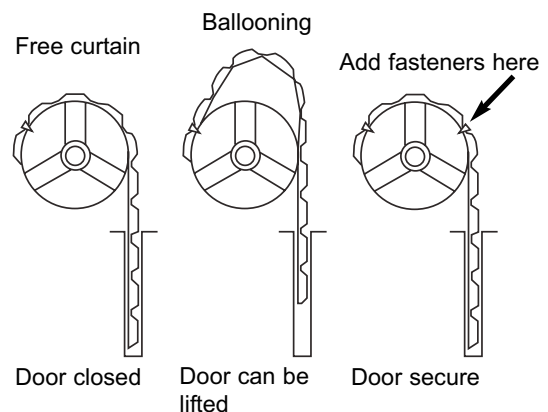
Pull the release cord down until you hear a clicking sound, the motor is now ready for operation.



9 Pinning the Door

Use bolts or pop-rivets (not supplied) to hold the curtain to the door drum.

1. Pull the release cord down and across to engage the ball into the cup. Close the door manually. Pull the release cord across and release to re-engage the opener.
2. Try to manually open the door with the opener engaged. Any excess door curtain may balloon out from the top of the drum.
3. To remedy any ballooning place gutter-bolts or pop rivets (not supplied) 75mm up from where the curtain leaves the roll. Secure these through the curtain into the drum wheel at each end of the curtain.



10 Program your Opener & Remote

Please note your remote controls and wall plate have already been programmed into your opener.

Activate the opener only when door is in full view, free of obstruction and properly adjusted. No one should enter or leave garage while door is in motion. Do not allow children to operate push button(s) or remote(s). Do not allow children to play near the door.

Your garage door opener has already been programmed at the factory to operate with your remote control and wireless wall box.

Fix any wall control at a height of at least 1.5m and within sight of the door but away from any moving parts.

Fix the warning against entrapment label near the wall control.

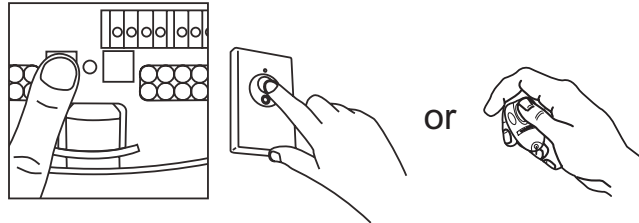
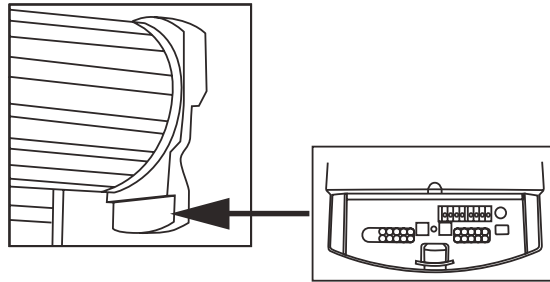
Program additional Remote Controls: Using the purple "LEARN" Button

1. Press and release the purple "learn" button on the opener. The orange indicator light will glow steadily for 30 seconds.
2. Within 30 seconds, press and hold the desired button on the wireless wall control or remote control that you wish to operate your garage door.
3. Release the button when the opener light blinks. It has learned the code.

Delete all Remote Control Codes

Please note this deletes all remotes and codes.

Press and hold the PURPLE learn button until the orange indicator light goes out (approximately 9 sec.).



11 Setting the Limits

Travel limits regulate the points at which the door will stop when moving up or down. Follow the steps below to set the limits.

Check that the opener is engaged.

To program the travel limits:

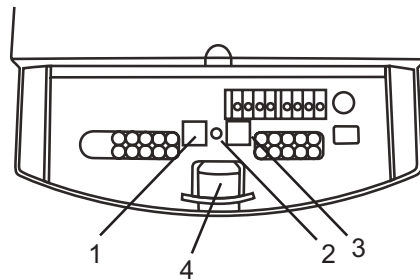
1. Press and hold the black button (3) until the orange indicator light (2) starts flashing slowly and then release. Opener lights will dim.
2. Press the BLACK button to move the door UP or the PURPLE button to move the door DOWN until the door reaches the desired UP limit.

Check to be sure the door is high enough for your vehicle. Adjust if necessary.

3. Press the green start button (4). This sets the full UP limit. The door will travel to the floor and reverse back to the UP limit. The opener has learned its travel limits.
4. The indicator light (2) will stop flashing when the limits have been learned.

NOTE: If the door presses excessively on the floor or reverses before it reaches the floor proceed to #12 of the "Troubleshooting" section page 9 and follow the instructions for setting the limits manually.

The force must be learned in order to properly complete the setting of the limits.



Manual Limit setting

With the door in the midway position.

- Press and hold the black button until the orange LED starts flashing.
- Use the black (up) and purple (down) button to set the door opening limit
- Press the Green activation button to start the door, once it starts travelling down, press either the black or purple button to engage manual limit setting.
- Use the purple and black buttons to set the closing limit.
- Test door three or four times to check limit settings.

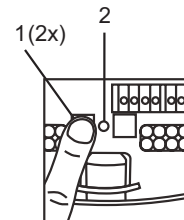
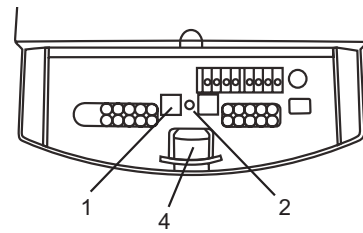
12 Setting the Force

The force, as measured on the closing edge of the door, should not exceed 400N (40kgf). If the closing force is measured to more than 400N, the Protector System must be installed. See section 14.

The force setting regulates the amount of power required to open and close the door.

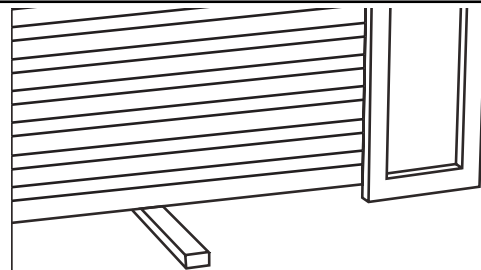
1. Press the purple button (1) twice to enter opener into Force Adjustment Mode. The indicator light (2) will flash quickly.
2. Press the green start button (4) on the bottom of the opener. The door will travel to the DOWN limit. Press the green start button (4) again, the door will travel to the UP limit. Press the green start button (4) again to complete the travel cycle. The indicator light (2) will stop flashing when the force has been learned.

The door must travel through a complete cycle, UP and DOWN, in order for the force to be set properly. If the opener cannot open and close your door fully, inspect your door to insure that it is balanced properly and is not sticking or binding.



13 Testing the Safety Reverse System

The safety reverse system test is important. The garage door must reverse on contact with a 40mm obstacle laid flat on the floor. Failure to properly adjust the opener may result in serious personal injury from a closing garage door. Operate the door in the down direction. The door must reverse on the obstruction. If the door stops on the obstruction, remove obstruction and repeat limit and force setting, sections 11 & 12, pages 6 & 7. Repeat test.



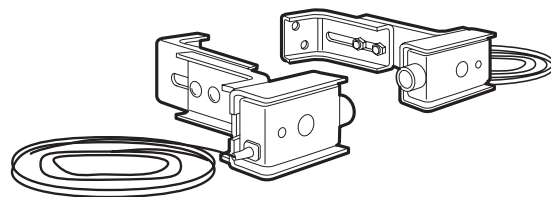
14 Install the Protector System™ (Safety Beams)

Install this accessory for all installations where the closing force as measured on the bottom of the door is over 400N (40kgf).

After opener has been installed and adjusted, The Protector System™ accessory can be installed. Instructions are included with this accessory.

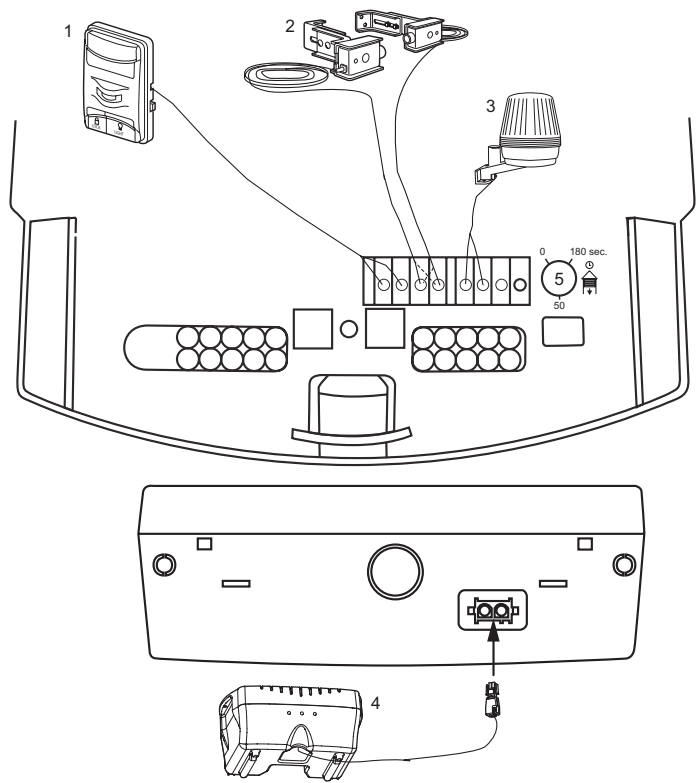
The Protector System™ provides an additional measure of safety against a small child being caught under a garage door. It uses an invisible beam which, when broken by an obstruction, causes a closing door to open and prevents an open door from closing and is strongly recommended for homeowners with young children.

Note: The opener will automatically detect the protector system when it is installed and operating for 5 minutes without the beams being obstructed. The opener will not close unless the sensors are aligned.



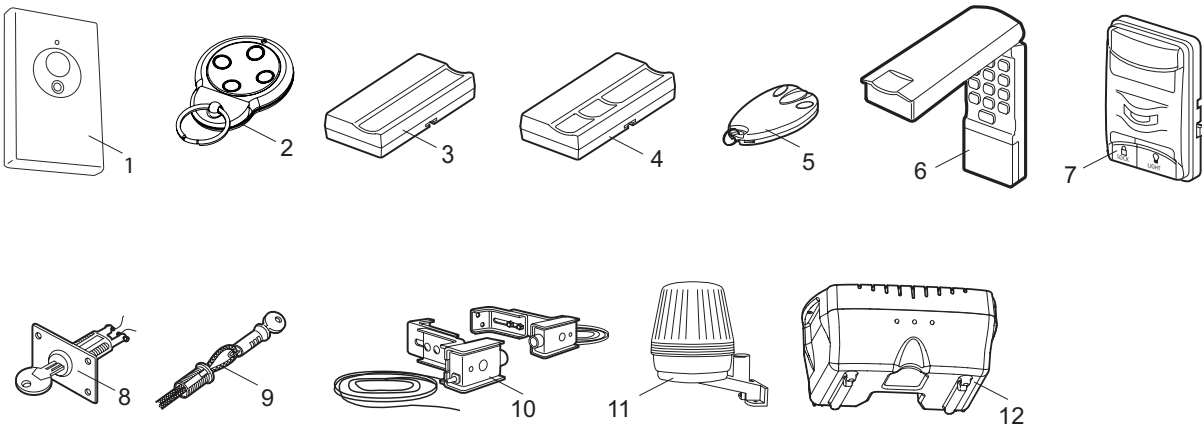
15 Special Features

1. Motion Detecting Control Panel
Connect white/red wire to the red quick connect terminal and the white wire to the white quick connect terminal.
2. The Protector System™ (Safety Beams)
Connect both white wires to the white quick connect terminal and both white/black wires to the grey quick connect terminal.
3. Flashing light connection.
The flashing light can be installed anywhere.
4. Battery Backup
To access the battery backup connector, remove the knockout to the right of the start button.
5. Timer to close function
Is enabled by turning the dial to the required time.
The Protector System (Safety Beams) must be installed before using this function.



16 Accessories

- | | |
|---|--|
| 1. Model 128LM 2-Function Wireless Wall Control | 7. Model 98LM Motion Detecting Control Panel |
| 2. Model 94334E 4-Function Remote Control | 8. Model 760E Outside Keylock |
| 3. Model 94330E Single-Function Remote Control | 9. Model 1702E Outside Quick Release |
| 4. Model 94333E 3-Function Remote Control | 10. Model 770E The Protector System™ |
| 5. Model 94335 3-Function Mini Remote Control | 11. Model FLA230 Flashing Light Kit |
| 6. Model 9747E Keyless Entry System | 12. Model 475 Battery Backup System |



CARE OF YOUR OPENER

When properly installed, your opener will provide high performance with a minimum of maintenance. The opener does not require additional lubrication. Limit and Force Settings: These settings must be checked and properly set when the opener is installed. Weather conditions may cause some minor changes in the door operation, requiring some re-adjustments, particularly during the first year of operation. Refer to limit and force setting in, sections 11 & 12, pages 6 & 7. Follow the instructions carefully and repeat the safety reverse test after any adjustment.

Remote Control: Additional remotes can be purchased at any time. Refer to Accessories. Any new remotes must be programmed into the opener. Remote Control Battery: The lithium batteries should produce power for up to 5 years. If transmission range lessens, replace the battery .

Troubleshooting

1. The opener doesn't operate from either the green start button or the remote controls:

- Does the opener have electric power? Plug a lamp into the outlet. If it doesn't light, check the fuse box.
- Have you disabled all door locks? Review installation instruction warnings on page 1.
- Is there a build-up of ice or snow under the door? The door may be frozen to the ground. Remove any restriction.
- The garage door spring may be broken. Have it replaced.

2. Opener operates from the remote control, but not from the wired wall control (optional accessory):

- Is the wall control lit? If not, reverse the two wires. If the opener runs, check for a faulty wire connection at the wall control, a short under the staples, or a broken wire.
- Are the wiring connections correct? Refer to wired wall control instructions.

3. The door operates from the green start button or wired wall control, but not from the wireless wall control or remote control:

- If the wired wall control is installed and it is flashing, ensure the Lock feature is off.
- Program the opener to match the remote control code. (Refer to section 10, page 6.) Repeat with all remotes.

4. The remote control has short range:

- Change the location of the remote control in your car.
- Check to be sure the antenna on the bottom of the opener extends fully downward.
- Some installations may have shorter range due to a metal door, foil backed insulation, or metal garage siding.

5. The garage door opens and closes by itself:

- Be sure that all remote control push buttons are off.
- If the wired wall control (optional accessory) is installed, remove the bell wire from the wired wall control terminals and operate from the green start button or remote control. If this solves the problem, the wired wall control is faulty (replace), or there is an intermittent short on the wire between the wired wall control and the opener.
- Clear memory and re-program all wireless wall controls and remote controls.

6. The door reverses and stops before opening completely:

- Is something obstructing the door? Is it out of balance, or are the springs broken? Remove the obstruction or repair the door.

7. The door reverses for no apparent reason and opener lights blink for 5 seconds after reversing:

- Check the Protector System (safety beams), if installed. Correct alignment if the red light on the beam is blinking.

8. The door opens but won't close or reverses while closing:

- Is something obstructing the door? Pull the emergency release handle. Operate the door manually. If it is unbalanced or binding, call a trained door systems technician.
- Clear any ice or snow from the garage floor area where the door closes.
- Repeat the limit and force setting in section 11 & 12, pages 6 & 7. Repeat safety reverse test after adjustments.

9. The opener strains to operate door:

- The door may be out of balance or the springs may be broken. Close the door and use the manual release to disconnect the door. Open and close the door manually. A properly balanced door will stay in any point of travel while being supported entirely by its springs. If it does not, disconnect the opener and call a trained door systems technician.

10. The opener motor hums briefly, then won't work:

- Check that the door is not in manual release mode, refer section 8, page 5.
- The garage door springs may be broken. See above.
- If the problem occurs on the first operation of the opener, door may be locked. Disable any door locks.

11. The opener won't operate due to power failure:

- Use the emergency release handle to disconnect the door. The door can be opened and closed manually. When power is restored, re-engage the opener, refer section 8, page 5.
- If a Battery Backup Unit is connected, the opener should be able to operate up to 20 times without power.

12. Setting the limits manually:

- a. Check that the opener position jumper is correct, refer section 5, page 3.
- b. Press and hold the black button until the orange indicator light starts flashing slowly then release.
- c. Press the BLACK button to move the door UP or the PURPLE button to move the door DOWN until the door reaches the desired UP limit. Check to be sure the door opens high enough for your vehicle.
- d. Press the green start button. This sets the UP limit and begins closing the door. Immediately press either the purple or the black button. The door will stop. Adjust the desired DOWN limit using the black and the purple buttons. Check to be sure the door is fully closed without applying excessive pressure to the door curtain. Press the green start button. This sets the DOWN limit and begins opening the door.
NOTE: If neither the black or the purple button is pressed, the door will reverse off the floor and the DOWN travel limit will be set automatically.
- e. Open and close the door with the green start button, remote control or wall control 2 or 3 times.
 - If the door does not stop in the desired UP limit or reverses before the door stops at the DOWN limit. Proceed to Setting the Force, section 12, page 7. If the door still does not stop at the desired limits is something obstructing the door? Disengage the opener. Open and close the door manually. If it is unbalanced or binding, call a trained door systems technician.
 - If the door stops at both the desired UP and DOWN limits, proceed to Setting the Force.

13. Auto close does not work:

- Check alignment of beams (LED indicators should be solid). If setting up see 15 page 8. To reset Auto detect of the safety beams. Turn off the power, (remove battery back up if installed) and set timer trim pot to zero before restoring power.

MAINTENANCE OF YOUR OPENER

Once a Month:

- Repeat safety reverse test.
Make any necessary adjustments.
- Manually operate door. If it is unbalanced or binding, call for professional garage door service.
- Check to be sure door opens and closes fully.
Set Limits and/or Force if necessary.

OPERATION OF YOUR OPENER

Your opener can be activated by any of the following devices:

- **The green start button**
Hold the button down until door starts to move.
- **The Wall Control, Outside Keylock or Keyless Entry System** (if you have installed any of these accessories).
- **The Remote Control Transmitter or Wireless Wall Control (128LM)**
Hold the push button down until the door starts to move.

When the Opener is activated by Remote Control, Green Start Button or Wall Control:

1. If open, the door will close. If closed, the door will open.
2. If closing, the door will stop.
3. If opening, the door will stop (allowing space for entry and exit of pets and for fresh air).
4. If the door has been stopped in a partially open or closed position, it will reverse direction.
5. If an obstruction is encountered while closing, the door will reverse.
6. If an obstruction is encountered while opening, the door will reverse and stop.
7. The optional Protector System™ uses an invisible beam which, when broken by an obstruction, causes a closing door to open and prevents an open door from closing. It is **STRONGLY RECOMMENDED** for homeowners with young children.
Allow a 15 minute cooling period after 4 minutes of continuous operation of the opener.

Opening the Door Manually:

Door should be fully closed if possible. Weak or broken springs could allow an open door to fall rapidly. Property damage or serious personal injury could result.

The door can be opened manually by pulling the release cord down and across to engage the ball into the cup. To reconnect the door, pull the release cord across and up to engage the opener .

The Opener Light Will Turn On:

1. when opener is initially plugged in;
 2. when the power is briefly interrupted;
 3. when the opener is activated.
- The light turns off automatically after 2-1/2 minutes.

SPECIFICATIONS

Input Voltage:	230-240VAC, 50Hz, 90W
Rated Load:	18Nm
Max.Pull Force:	550N
Max. Door Weight	100kg
Idle Current:	less than 25mA @ 230VAC
Drive:	DC gearmotor permanent lubrication
Max. Drum Rotations:	5
Memory Registers:	64
Operating Frequency:	433.92MHz

SPECIAL NOTE: Chamberlain strongly recommends that the protector system be installed on all garage door openers.

GARAGE DOOR OPENER WARRANTY

Chamberlain warrants to the first retail purchaser of this product that the product shall be free from any defect in materials and/or workmanship for a period of 24 full months (2 years) from the date of purchase. Upon receipt of the product, the first retail purchaser is under obligation to check the product for any visible defects.

Conditions: The warranty is strictly limited to the reparation or replacement of the parts of this product which are found to be defective and does not cover the costs or risks of transportation of the defective parts or product.

This warranty does not cover non-defect damage caused by unreasonable use (including use not in complete accordance with Chamberlain's instructions for installation, operation and care; failure to provide necessary maintenance and adjustment; or any adaptations of or alterations to the products), labor charges for dismantling or reinstalling of a repaired or replaced unit or replacement batteries.

A product under warranty which is determined to be defective in materials and/or workmanship will be repaired or replaced (at Chamberlain's option) at no cost to the owner for the repair and/or replacement parts and/or product. Defective parts will be repaired or replaced with new or factory rebuilt parts at Chamberlain's option.

If, during the warranty period, the product appears as though it may be defective, contact your original place of purchase.

This warranty does not affect the purchaser's statutory rights under applicable national legislation in force nor the purchaser's rights against the retailer arising from their sales/purchase contract. In the absence of applicable national or EU legislation, this warranty will be the purchaser's sole and exclusive remedy, and neither Chamberlain nor its affiliates or distributors shall be liable for any incidental or consequential damages for any express or implied warranty relating to this product.

No representative or person is authorized to assume for Chamberlain any other liability in connection with the sale of this product.

Declaration of Conformity

Automatic rolling door openers, as stated, are in conformity to the applicable sections of EN55014-1 (2000), EN55014-2 (1997), EN61000-3-2 (2000), EN61000-3-3 (1995), EN 301 489-3 (V1.3.1), EN 300 220-3 (V1.1.1), EN60335-1 (1994), and EN60335-2-95 (2000).

Per the provisions of the European Directives, 89/336/EEC, 2006/95/EC and 1999/5/EC, including all amendments;

Model:.....RDO800

All technical file information for the operator and its accessories is held at The Chamberlain Group and will be made available at the request of the authorities should the need arise.

Declaration of Incorporation

A power door operator must not be put into service until it has been completely and safely assembled and installed, with appropriate size and weight of door, in accordance with both the door and operator manufacturers' instructions using appropriate safety devices, and the complete installation has been declared in conformity with the provisions of EN12453, EN13241-1 and the Machinery Directive, 98/37/EC.

Door Type: Rolling Door				
Operator Type	Maximum Area (m2)	Installer: Indicate Installed Door Size	Maximum Weight (kg)	Installer: Indicate Installed Door Weight
RDO800	12.0		100	

These declarations are made by:

<p><i>Barbara P. Kelkhoff</i></p> <p>B. P. Kelkhoff Manager, Regulatory Affairs</p> <p>Chamberlain GmbH. D-66793 Saarwellingen June, 2007</p>	<p>_____ Installer Name/Signature</p>
	<p>_____ Company Name</p>
	<p>_____ Address</p>
	<p>_____ Date</p>

Free Manuals Download Website

<http://myh66.com>

<http://usermanuals.us>

<http://www.somanuals.com>

<http://www.4manuals.cc>

<http://www.manual-lib.com>

<http://www.404manual.com>

<http://www.luxmanual.com>

<http://aubethermostatmanual.com>

Golf course search by state

<http://golfingnear.com>

Email search by domain

<http://emailbydomain.com>

Auto manuals search

<http://auto.somanuals.com>

TV manuals search

<http://tv.somanuals.com>