

Specifications: typical @ 25°C ± 5°C

SVC-10 Distribution System

Video	nominal level	1.0 Vp-p
	impedance	75 Ω
	3dB bandwidth (worst case 1000ft)	10MHz
Digital audio	nominal level	0.5 Vp-p
	impedance	75 Ω
	3dB bandwidth (worst case 1000ft)	15MHz
Analog audio	nominal level	1Vrms
	impedance	10KΩ nominal
	3dB bandwidth (worst case 1000ft)	20Hz-20KHz
Power supply	output voltage	15VDC
	input power	105-125VAC
	power consumption (transmitter)	5 watts typical
	power consumption (receiver)	5 watts typical
Physical	transmitter size (h X w X d)	1.75" X 17.0" X 6.5"
	receiver size (h X w X d)	1.0" X 4.6" X 3.2"
	transmitter weight	2 lbs 10 oz
	receiver weight	9.6 oz
Environmental	operating temperature	0°C to 50°C
	storage temperature	-30°C to 70°C
	humidity	5% to 90% (non-condensing)

Warranty

Multiplex Technology, Inc. warrants this product to be free from defects in materials and workmanship for a period of one year from the date of purchase or MTI will repair, or at its option, replace the defective product. To obtain warranty service, call MTI for a return material authorization (RMA) number and return the product prepaid to Multiplex Technology, Inc., 3001 Enterprise Street, Brea, CA 92821, Attention: Customer Service. Please put the RMA number on the outside of the carton.

Any implied warranty arising from the sale of the product including implied warranties of merchantability and fitness for purpose are limited to the warranty stated above. MTI shall not be responsible for losses or damages or expenses, whether direct, consequential or incidental arising from the use of or the inability to use this product. Some states do not allow limitations on how long the implied warranty lasts or the exclusion or limitation or incidental or consequential damages, so the above limitations and exclusions may not apply to you. This warranty gives you specific legal rights, and you may have other rights which may vary from state to state.



PERFORMANCE MULTI-ROOM VIDEO

Installation Manual & Users Guide



CAT-5 Point to Point Video Distribution System

Model SVC-10

This device complies with the FCC's Part 15 Rules for TV interface devices. Any change or modification to this device without the permission of Multiplex Technology, Inc. may void the user's authority to operate this equipment.

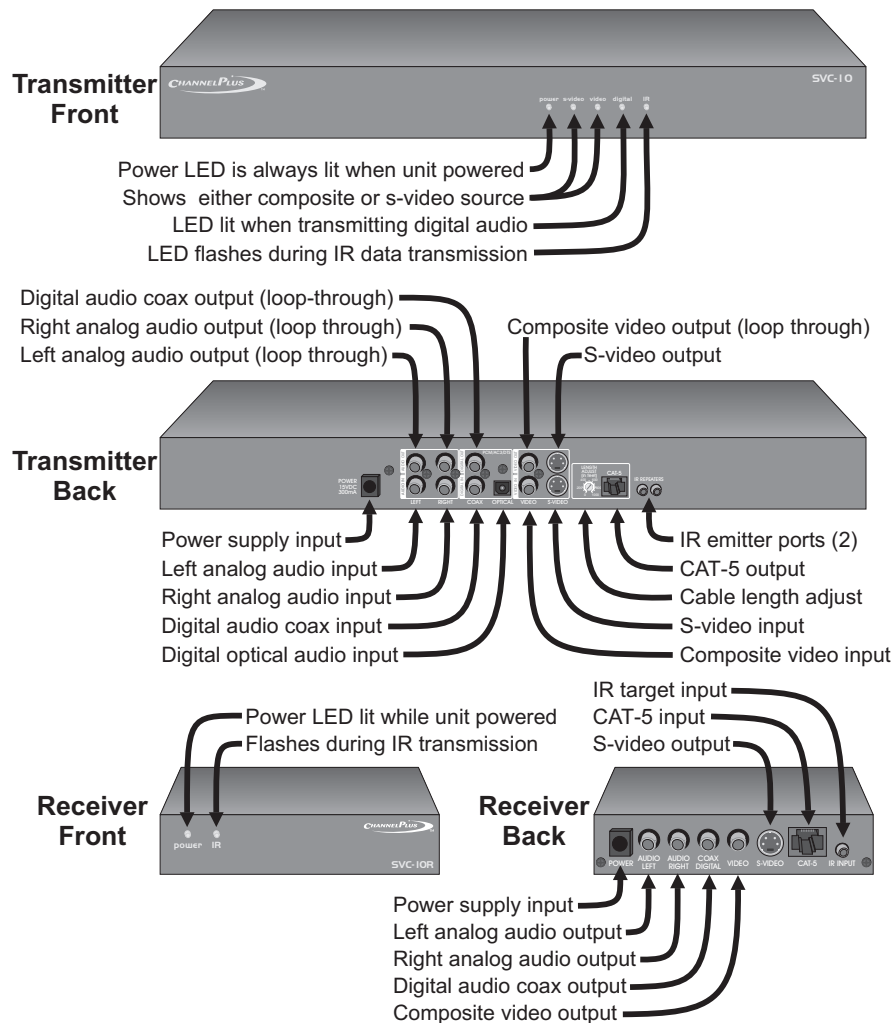


3001 Enterprise Street, Brea, CA 92821-6213, U.S.A.
714-996-4100 * 800-999-5225 * FAX 714-996-4900 * www.channelplus.com

OVERVIEW

The SVC-10 is a complete audio/video/IR over CAT-5 transmission system. Each SVC-10 includes a rack-mountable transmitter and a small receiver unit. The SVC-10 can transmit either composite video or S-video and either Pro-logic encoded analog stereo or Digital audio. The SVC-10 transmitter can be adjusted to compensate for CAT-5 cable losses up to 1000 feet. In addition, an IR target can be used with the receiver to control the remote source.

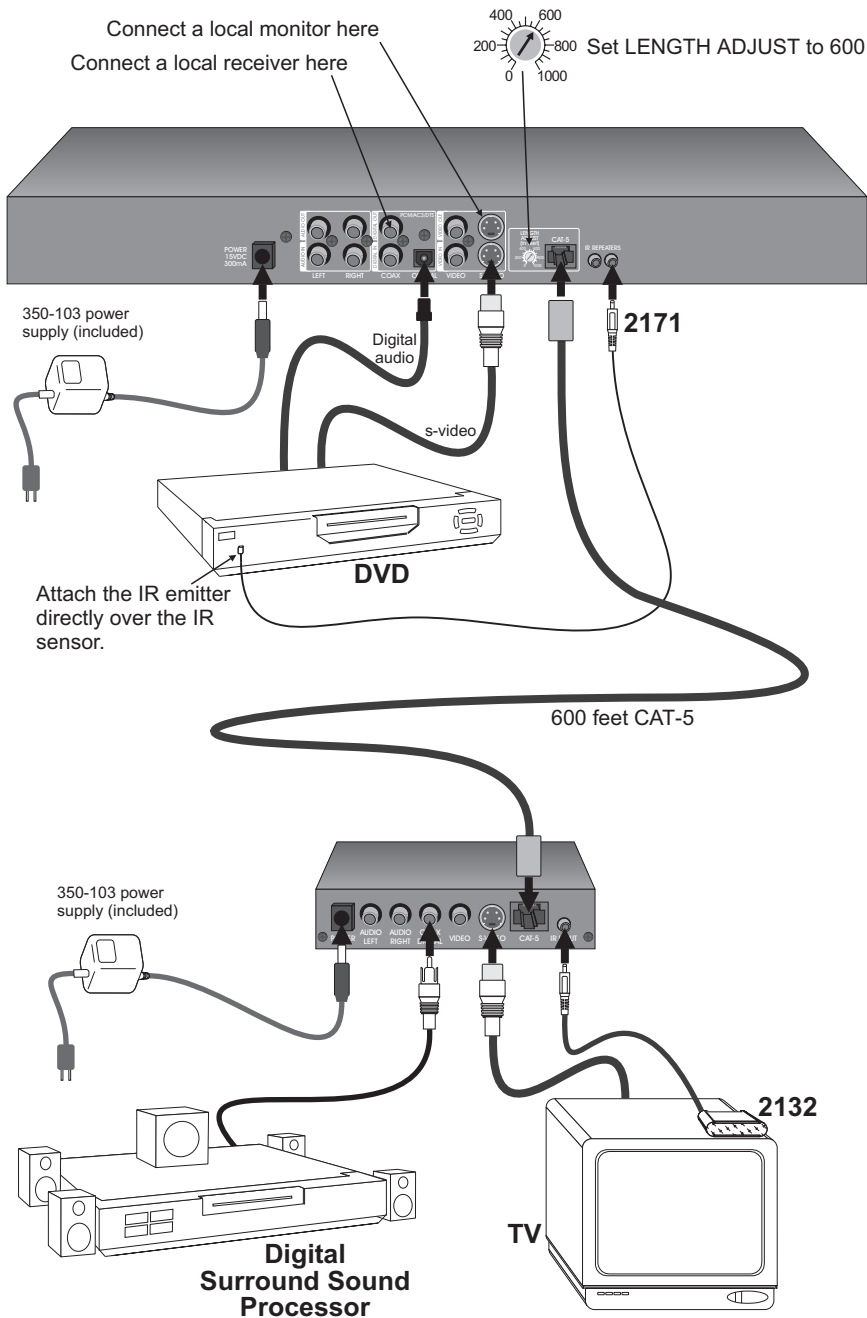
CONTROLS AND CONNECTIONS



FREQUENTLY ASKED QUESTIONS

- Q: Can I transmit composite video from one source and s-video from another source at the same time?
- A: No, the SVC-10 can only handle either composite or s-video - not both.
- Q: Can I connect a CD player's left&right analog outputs and the digital coax from a DVD to the SVC-10?
- A: Yes, but only one device can be used at a time. If you are transmitting digital audio, make sure your CD player is off. Likewise, if you are using the CD player, make sure the DVD player is off.
- Q: What happens if I use both the coax digital and optical connector at the same time?
- A: The coax digital always overrides the optical signal. When the coax digital connector is plugged into the unit, the optical signal is ignored, even if there is no signal on the coax cable.
- Q: Can the SVC-10 transmit farther than 1000 feet?
- A: Yes, but the system only compensates for up to 1000 feet. The SVC-10 is optimized for lengths from 0 to 1000 feet. Operating beyond this is possible but not recommended.
- Q: Can I expand the SVC-10 using an expansion panel to connect several receivers to a single transmitter?
- A: No, the SVC-10 system is designed to work point-to-point. It is not designed to be expanded at this time.
- Q: What digital formats is the SVC-10 compatible with?
- A: All commonly available formats such as PCM, Dolby Digital® (AC-3), Dolby Digital Surround EX®, DTS® and DTSES®.
- Q: How do I set the length adjustment if I don't know how long my CAT-5 run is?
- A: You can adjust the control until the picture looks normal for contrast and brightness.

Sample System Diagram 3: Transmitting S-video and DTS from a DVD 600 feet with IR



6

FEATURES

EASY WIRING

The SVC-10 transmitter and receiver communicate over a single run of CAT-5 wire. A back panel control is on the transmitter to allow compensation for any length of wire up to 1000 feet. Wire RJ-45 connections according to TIA T568A standard.

FLEXIBLE VIDEO INPUT

Choose between s-video input or composite video. The SVC-10 has its own connector for each - no need for a converter plug.

UNIVERSAL AUDIO

The SVC-10 accepts either left&right analog audio or digital audio. It can handle either coax or fiber optic (TOSLINK) digital audio. When using the fiber optic cable, the SVC-10 converts this signal and puts it on the coax digital loop out connector. When using analog audio, the SVC-10 will maintain Dolby Pro-logic® encoding if present.

LOOP OUT CONNECTORS

All SVC-10 connectors have built in loop through connectors for a second device such as a local monitor.

ACTIVE TERMINATE FEATURE

The SVC-10 terminates the inputs into a 75 ohm load. When a second cable is connected to the output, the SVC-10 automatically disconnects this termination to allow the second device to provide the termination.

IR CONTROL

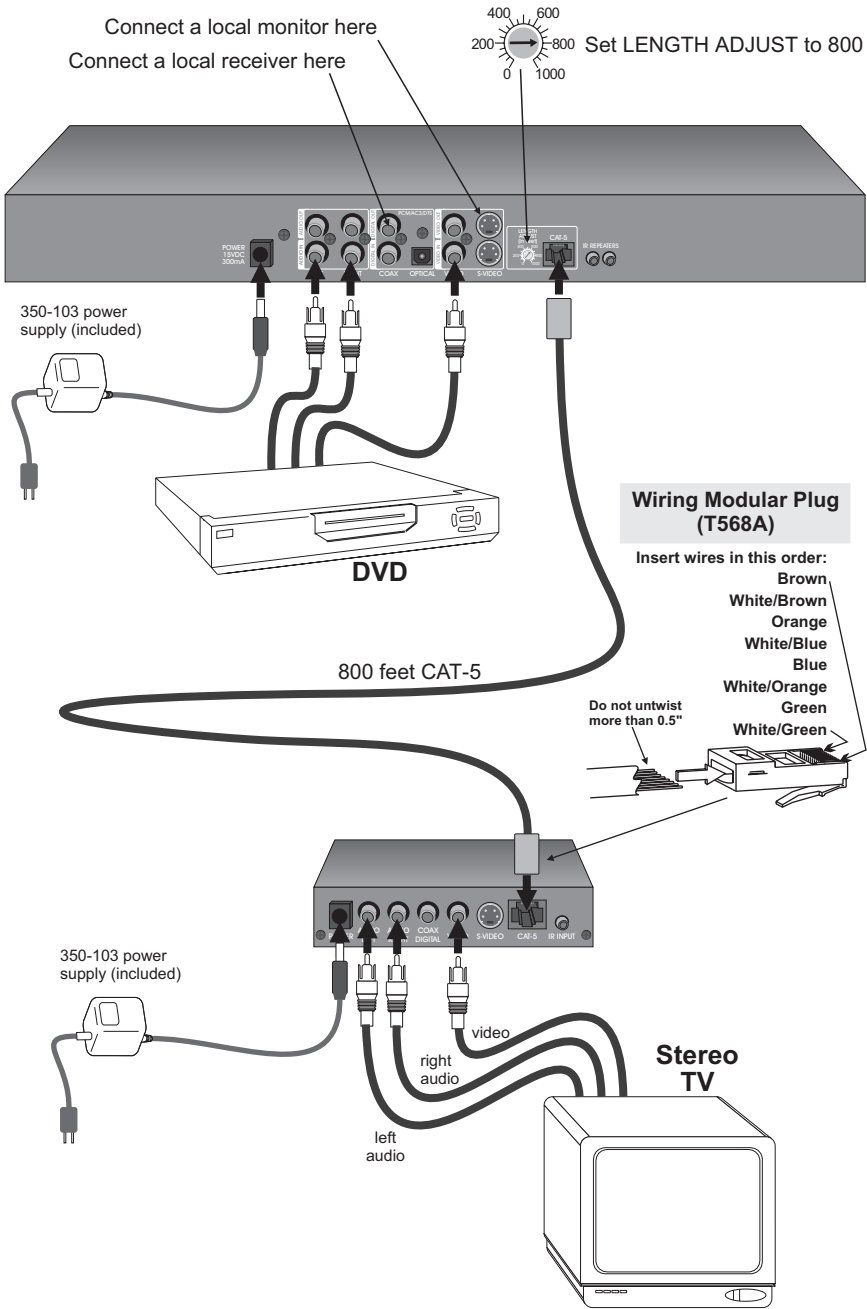
Standard 12 volt ChannelPlus IR targets and emitters can be used with the SVC-10 to allow control of the source from the remote location.

MOUNTING

The SVC-10 can be mounted in standard 19" racks by attaching the included mounting ears. Remove the rubber feet on the bottom of the unit to ensure clearance when inserted into a rack.

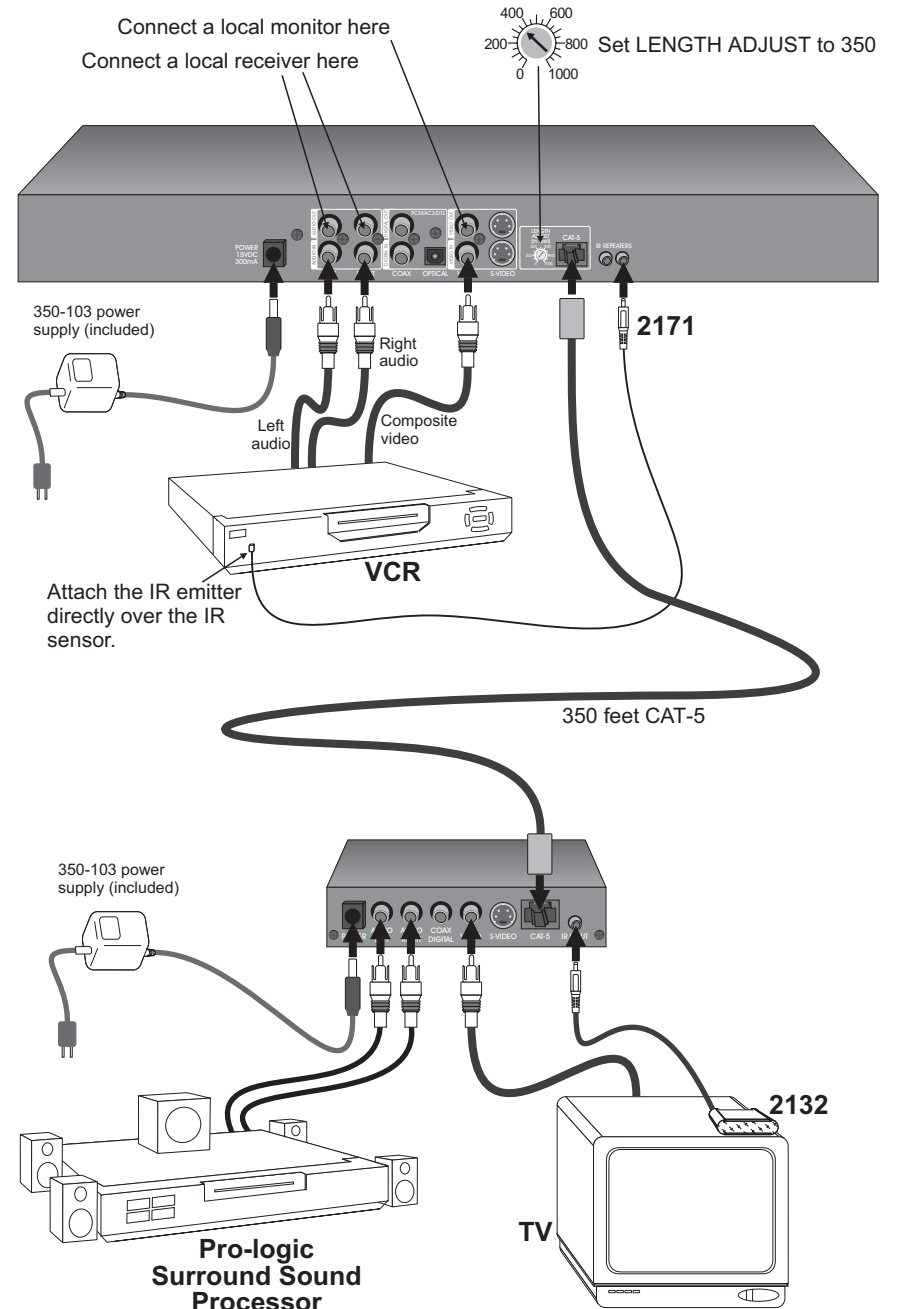
3

Sample System Diagram 1: Transmitting video and analog audio from a DVD 800 feet



4

Sample System Diagram 2: Transmitting composite video and analog audio from a VCR 350 feet with IR



5

Free Manuals Download Website

<http://myh66.com>

<http://usermanuals.us>

<http://www.somanuals.com>

<http://www.4manuals.cc>

<http://www.manual-lib.com>

<http://www.404manual.com>

<http://www.luxmanual.com>

<http://aubethermostatmanual.com>

Golf course search by state

<http://golfingnear.com>

Email search by domain

<http://emailbydomain.com>

Auto manuals search

<http://auto.somanuals.com>

TV manuals search

<http://tv.somanuals.com>