

Warranty

Linear LLC warrants this product to be free from defects in material and workmanship for 5 years. The time period will be measured using the date code labeled on the product. Linear LLC is not responsible for damage to the product resulting from the buyer's improper handling, stocking or warehousing of the product. Any implied warranty arising from the sale of the product including implied warranties of merchantability and fitness for purpose are limited. Linear LLC shall not be responsible for any losses, damages or expenses, whether direct, consequential, or incidental arising from the use or the inability to use the product. Some states and countries do not allow limitations or how long an implied warranty lasts or the exclusion or limitation or incidental or consequential damages, so the above exclusions may not apply. The Linear LLC warranty gives specific legal rights in addition to other rights, which may exist and vary from state to state and country to country. The warranty is limited to repair or replacement of products returned, freight prepaid, to Linear LLC, there is NO PROVISION FOR LABOR COST OR OTHER REIMBURSEMENTS OF ANY KIND.

1. Failures due to product abuse, such as negligence, improper use, and electrical surge including damage from lightning, water damage or other damage due to natural disasters are not covered by the warranty. The most common form of product abuse is surge damage caused by lightning.
2. The warranty shall also be voided by any tampering with the date code, labels or other markings on the product.
3. Products that are damaged in transit to Linear LLC due to improper packaging or by the carrier (shipping company) will not be covered under the warranty. If the product was damaged or lost by the carrier, it is the sender's responsibility to create a claim against the carrier.
4. The user is responsible for all labor costs associated with removing, reinstalling and returning the product to Linear LLC. Linear LLC, at its option, will repair or replace the defective product. Replacements will be made from B-Stock, if an exact replacement is not available, Linear LLC, at its option, will select the nearest equivalent product. The user is responsible for freight charges to Linear LLC. Linear LLC will return warranted repaired or replacements by UPS Ground or an equivalent service. A customer may pay the additional costs for second-day or next-day service. All products returned for warranty service require a Return Product Authorization Number (RPA#). Contact Linear Technical Services at 1-800-999-5225 for an RPA# and other important details.

SAFETY INFORMATION:

- A) Never install telephone wiring during a lightning storm.
- B) Never install telephone jacks in a wet location.
- C) Never touch uninsulated telephone wires or terminals unless the telephone line has been disconnected at the network interface.
- D) Use caution when installing or modifying telephone lines.

IMPORTANT INSTRUCTIONS:

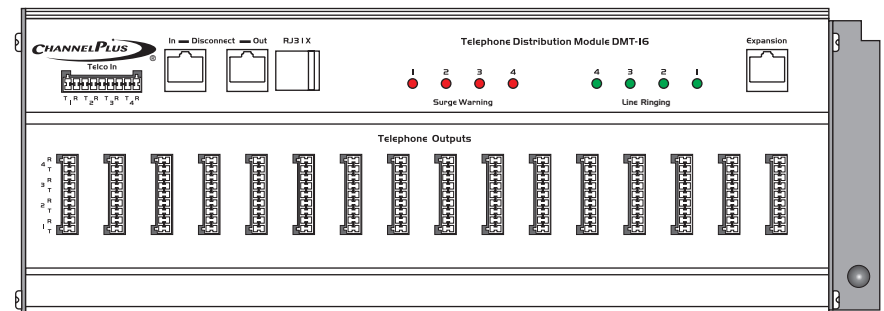
When you use your telephone equipment, basic precautions should always be followed to reduce the risk of fire, electric shock and injury to persons, including the following:

1. Read and understand instructions.
2. Do not use this product near water, for example, near a bathtub, wash bowl, kitchen sink, or laundry tub, in a wet basement, or near a swimming pool.
3. Never push objects of any kind into this product through cabinet slots as they may touch dangerous voltages.
4. Use on UL listed cabinets like the H218A, H236A, or H318 and H336.

SAVE THESE INSTRUCTIONS



Telephone Distribution Module



Model DMT-16

Designed for
ChannelPlus and OpenHouse
structured wire grid systems.

Linear LLC

2055 Corte Del Nogal, Carlsbad, CA 92009, USA
760-438-7000 800-999-5225 fax: 760-931-1340

www.channelplus.com

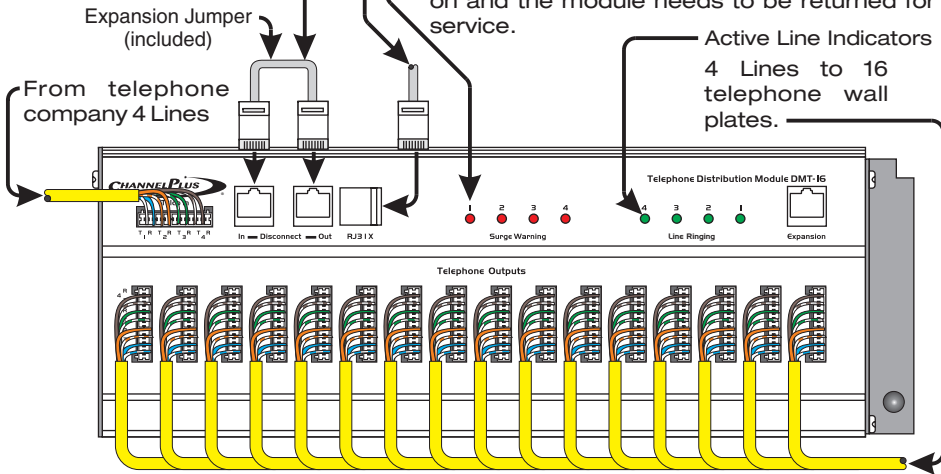
© 2005 Linear LLC, Carlsbad, CA, USA

Typical Installation

Included: (1) Expansion Jumper 24". (2) Flat Surface Mounting Ears.
(1) Disconnect Jumper (66) Labels

Security system connection (RJ-31X)

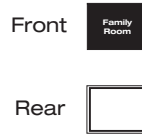
Install this jumper for normal operation. Remove to disconnect telephone service from the system.



Telephone Distribution Module DMT-16

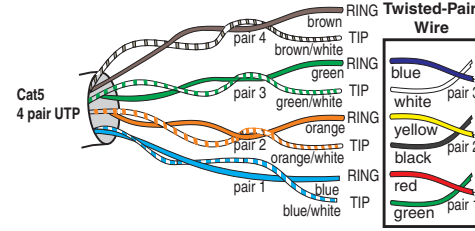
Back Door	Bedroom 4	Dining Room	Guest House 2	Master Suite 2	Office 3
Basement	Bedroom 5	Family Room	Guest Room	Master Suite 3	Patio
Bathroom	Bedroom 6	FAX	Guest Room 1	Master Suite 4	Play Room
Bathroom 1	Bedroom 7	FAX 2	Guest Room 2	Media Center	Pool House
Bathroom 2	Children's Room	Fitness Center	Hall	Media Center 1	PVR
Bathroom 3	Children's Room 1	Front Door	Hall 2	Media Center 2	PVR 1
Bat Phone	Children's Room 2	Game Room	Kitchen	Modem	Satellite
Bedroom	Children's Room 3	Garage	Laundry Room	Modem 2	Satellite 1
Bedroom 1	Children's Room 4	Garage 2	Living Room	Office	Satellite 2
Bedroom 2	Den	Guest House	Master Suite	Office 1	Satellite 3
Bedroom 3	Den 2	Guest House 1	Master Suite 1	Office 2	Satellite 4

Example

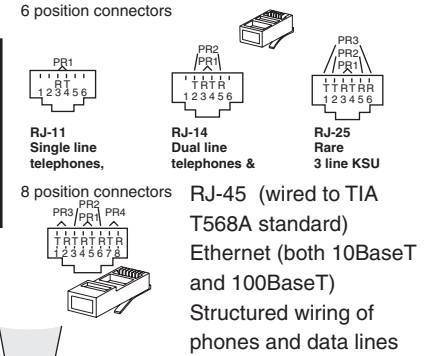


Label Card: Separate and slide labels into extrusion, or flip the label over for a blank surface.

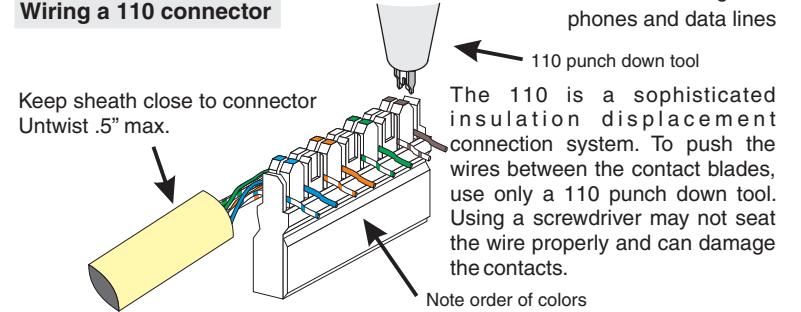
Wire Color Codes



Modular connectors

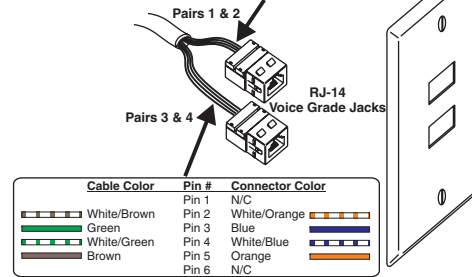


Wiring a 110 connector

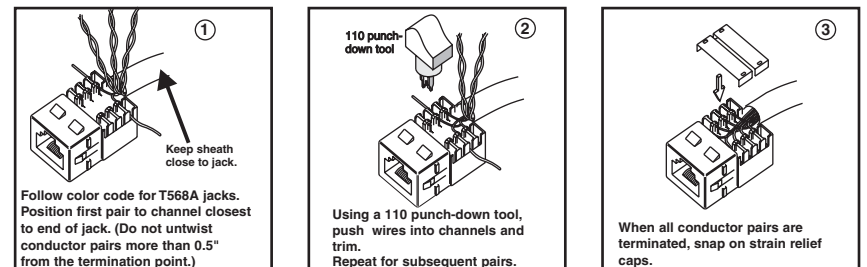


Wiring a telephone wall plate

Cable Color	Pin #	Connector Color
White/Orange	Pin 2	White/Orange
Blue	Pin 3	Blue
White/Blue	Pin 4	White/Blue
Orange	Pin 5	Orange
	Pin 6	N/C



Wiring a Cat-5 jack



Free Manuals Download Website

<http://myh66.com>

<http://usermanuals.us>

<http://www.somanuals.com>

<http://www.4manuals.cc>

<http://www.manual-lib.com>

<http://www.404manual.com>

<http://www.luxmanual.com>

<http://aubethermostatmanual.com>

Golf course search by state

<http://golfingnear.com>

Email search by domain

<http://emailbydomain.com>

Auto manuals search

<http://auto.somanuals.com>

TV manuals search

<http://tv.somanuals.com>