

# INSTRUCTIONS



## **DVR-43GKIT1** **Hidden 4-Channel DVR KIT**

 CHANNEL VISION™

©2010 CHANNEL VISION TECHNOLOGY

Download from [www.Somanuals.com](http://www.Somanuals.com). All Manuals Search And Download.

Channel Vision's **DVR-43GKIT1** Hidden DVR Kit includes the DVR-43G Compact 3G compatible 4-Channel DVR, an IR control system, mounting brackets and a 19" Structured Wiring Enclosure to mount everything in. The DVR-43GKIT1 is the easiest way to bring digital video surveillance to your structured wiring system. Finally, your DVR can be hidden in the wall where it can be easily wired to access your data network and its video output can be modulated into your TV distribution system. The included IR repeating system allows you to control the DVR from anywhere in the home with the handheld remote control.

### **DVR Features:**

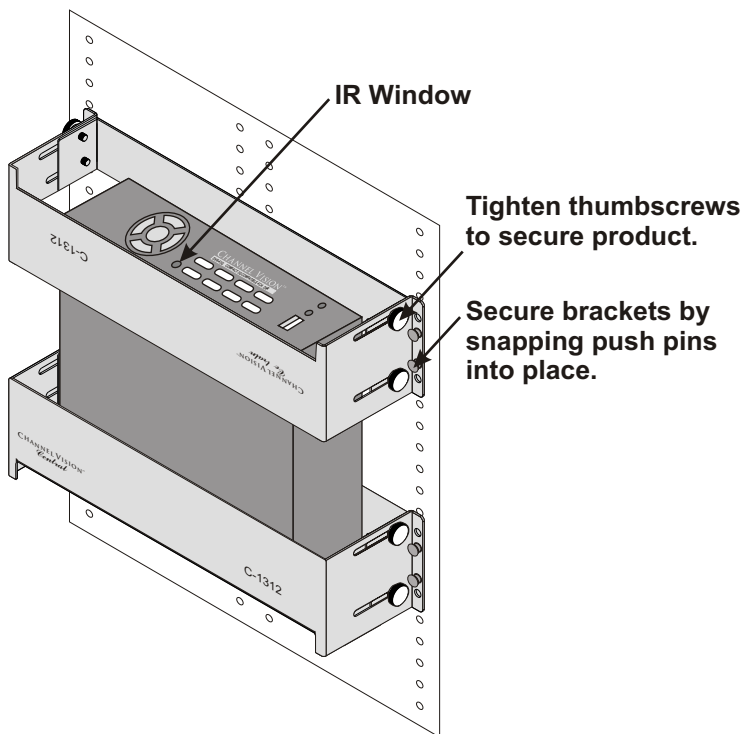
- 4-channel camera recording capability
- H.264 compression to maximize Hard Drive Space
- 1-channel audio recording and playback
- 3G compatibility for easy viewing on your smart phone
- Ethernet connection for easy networking
- IR control capability
- PTZ camera control
- Central Management System (CMS) for viewing multiple DVRS

### **Installation:**

- Reverse the back plate of the C-1312 brackets (see its manual for details).
- Place the back end of the DVR into the first C-1312 and tighten the thumb screws to secure it.
- Place the front end of the DVR into the second C-1312 and tighten the thumb screws to secure it.
- Secure the completed assembly in the structured wire enclosure by pushing the snap pins into place.
- Connect the IR-3001 Emitter to the IR-1203 Hub and place the emitter over the IR window on the DVR-43G.
- Locate the IR-2400 Receiver near the desired viewing monitor and connect it to the IR-1203 with CAT5 cable. See the included IR product manuals for details.

## Installation

The **DVR-43GKIT1** includes Channel Vision's 19" Structured Wiring Enclosure. The contents of the kit can also be installed into larger enclosures, including models: C-0119E, C-0128E, C-0138E, and C-0150E.



## Specifications:

<b>Compression Type:</b>	H.264
<b>Camera Inputs:</b>	4 BNC connections
<b>Video Outputs:</b>	1 BNC connector
<b>Audio Inputs:</b>	1 RCA connector
<b>Audio Outputs:</b>	1 RCA connector
<b>Remote Viewing:</b>	Web Browser, Software, 3G phones
<b>Power Supply:</b>	12VDC
<b>Drive Capacity:</b>	1 - SATA Type HDD
<b>Dimensions:</b>	7.4" x 2.13" x 8.23"

Specifications subject to change without notice.



## **1 Year Limited Warranty**

Channel Vision Technology will repair or replace any defect in material or workmanship which occurs during normal use of this product with new or rebuilt parts, free of charge in the USA, for one year from the date of original purchase. This is a no hassle warranty with no mail in warranty card needed. This warranty does not cover damages in shipment, failures caused by other products not supplied by Channel Vision Technology, or failures due to accident, misuse, abuse, or alteration of the equipment. This warranty is extended only to the original purchaser, and a purchase receipt, invoice, or other proof of original purchase date will be required before warranty repairs are provided.

Mail in service can be obtained during the warranty period by calling (800) 840-0288 toll free. A Return Authorization number must be obtained in advance and can be marked on the outside of the shipping carton.

This warranty gives you specific legal rights and you may have other rights (which vary from state to state). If a problem with this product develops during or after the warranty period, please contact Channel Vision Technology, your dealer or any factory-authorized service center.

Channel Vision products are not intended for use in medical, lifesaving, life sustaining or critical environment applications. Channel Vision customers using or selling Channel Vision products for use in such applications do so at their own risk and agree to fully indemnify Channel Vision for any damages resulting from such improper use or sale.



234 Fischer Avenue, Costa Mesa, California 92626  
(714)424-6500 • (800)840-0288 • (714)424-6510 fax

500-257 rev C

## Free Manuals Download Website

<http://myh66.com>

<http://usermanuals.us>

<http://www.somanuals.com>

<http://www.4manuals.cc>

<http://www.manual-lib.com>

<http://www.404manual.com>

<http://www.luxmanual.com>

<http://aubethermostatmanual.com>

Golf course search by state

<http://golfingnear.com>

Email search by domain

<http://emailbydomain.com>

Auto manuals search

<http://auto.somanuals.com>

TV manuals search

<http://tv.somanuals.com>