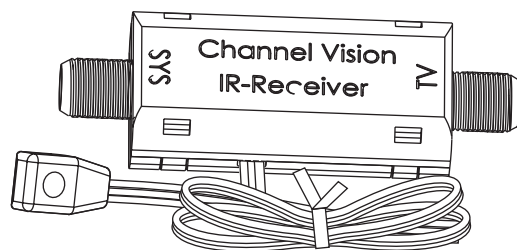


CHANNEL VISION™

IR-4101 Users Guide



CHANNEL VISION Limited Warranty

Channel Vision Technology will repair or replace any defect in material or workmanship which occurs during normal use of this product with new or rebuilt parts, free of charge in the USA, for two years from the date of original purchase. This is a no hassle warranty with no mail in warranty card needed. This warranty does not cover damages in shipment, failures caused by other products not supplied by Channel Vision Technology, or failures due to accident, misuse, abuse, or alteration of the equipment. This warranty is extended only to the original purchaser, and a purchase receipt, invoice, or other proof of original purchase date will be required before warranty repairs are provided.

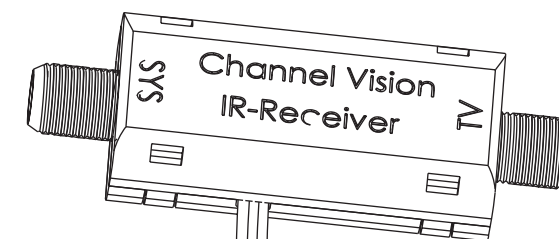
Mail in service can be obtained during the warranty period by calling (800) 840-0288 toll free. A Return Authorization number must be obtained in advance and can be marked on the outside of the shipping carton.

This warranty gives you specific legal rights and you may have other rights (which vary from state to state). If a problem with this product develops during or after the warranty period, please contact Channel Vision Technology, your dealer or any factory-authorized service center.

500-167 rev A1

The IR-4101 includes these items:

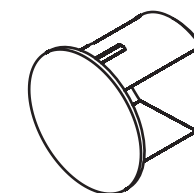
1 - IR coax adaptor with IR receiver



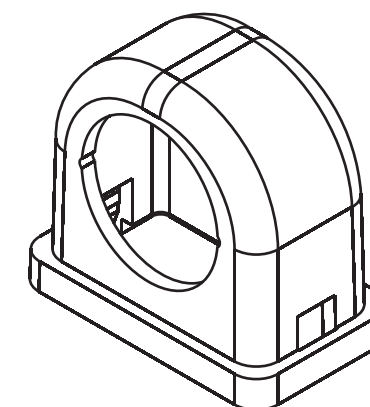
Accessories



1 - IR receiver holster



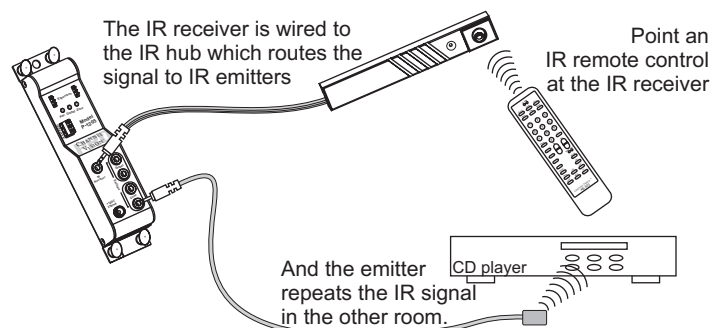
1 - hole mount



1 - tabletop mount

The IR-4101 is an IR coax adaptor that works with Channel Vision's IR coax engine to enable the transmission of Infrared remote control signals onto the same coax cable that delivers your cable TV. Channel Vision's IR coax engine can be found in the following products: IR-4000, E2200IR, E3200IR, E4200IR, and P-0321.

How IR repeating works

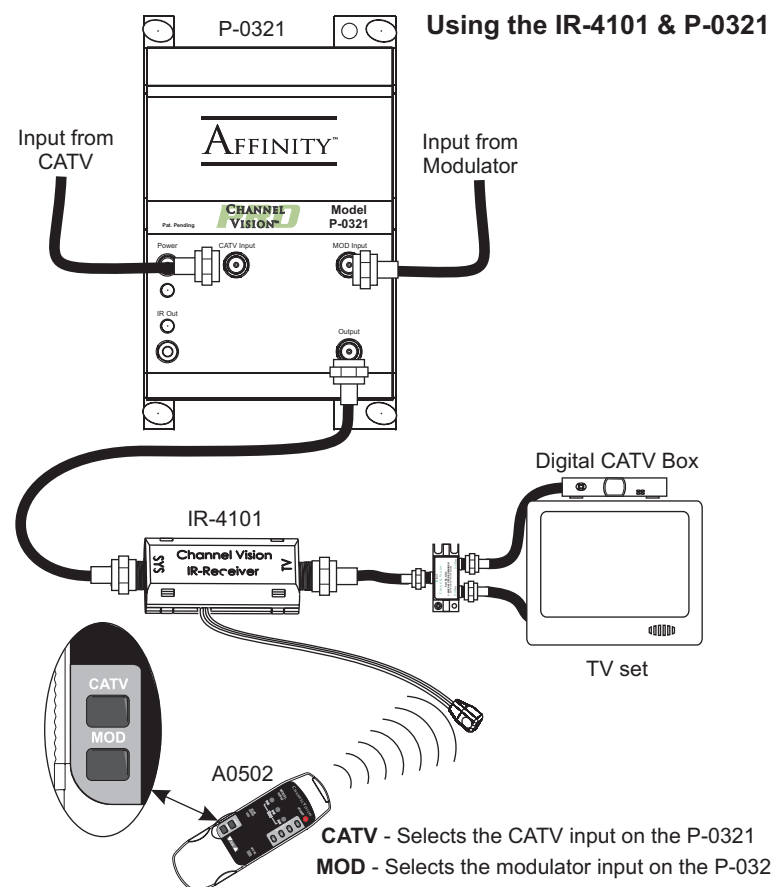


Be sure the emitter is attached directly over the component's IR receiver. To locate the IR receiver, shine a flashlight into the unit and look for the sensor.

Specifications: (typical)

- Voltage Requirements:** 8 - 12 VDC
- IR Freq. range supported:** 30 kHz - 60 kHz
- IR pickup range:** 40 ft. @ 38kHz, 25 ft. @ 56kHz
- IR receiver head dimensions:** 0.65" x 0.35" x 0.25"
- Color:** Black

Specifications subject to change without notice.

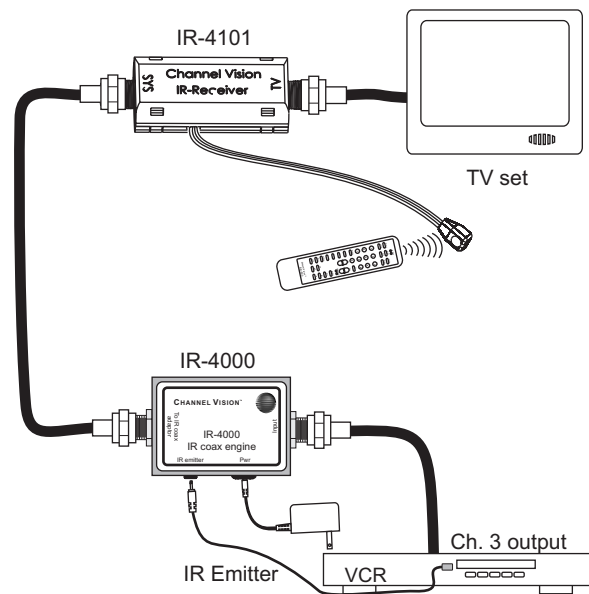


Features:

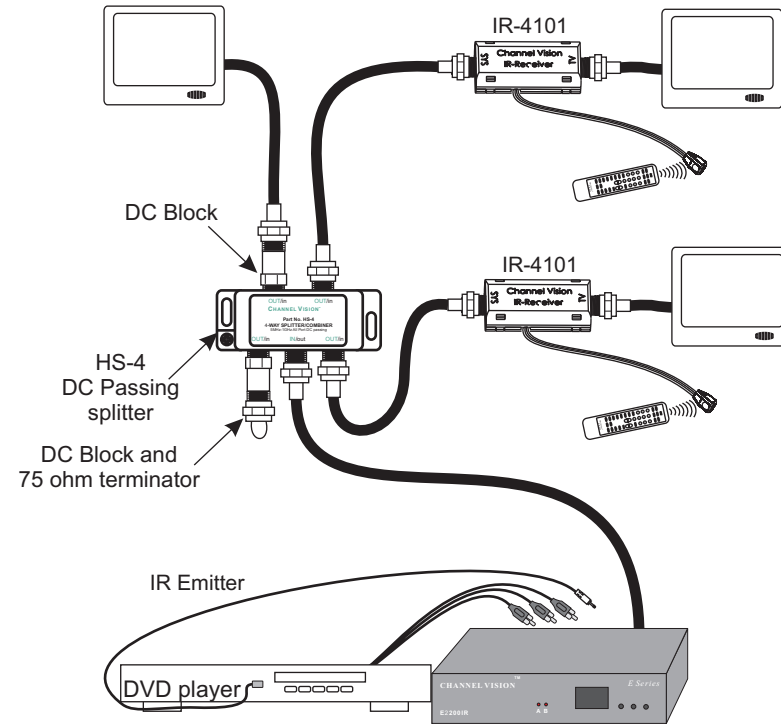
- Plasma Proof IR receiver
- Compatible with: IR-4000, E2200IR, E3200IR, E4200IR, & P-0321
- Versatile mounting accessories: Install as
 - Very small receiver
 - In-cabinet tube type receiver
 - Unobtrusive desktop type receiver

Basic IR-on-coax Setup

A basic IR system, like the one shown below, is often used when an audio/video signal is distributed to a remote TV location using the RF output of the device. The IR-4101 is located near the TV, allowing IR signals to be detected, and the IR-4000 is located near the audio/video source, providing an IR emitter output.



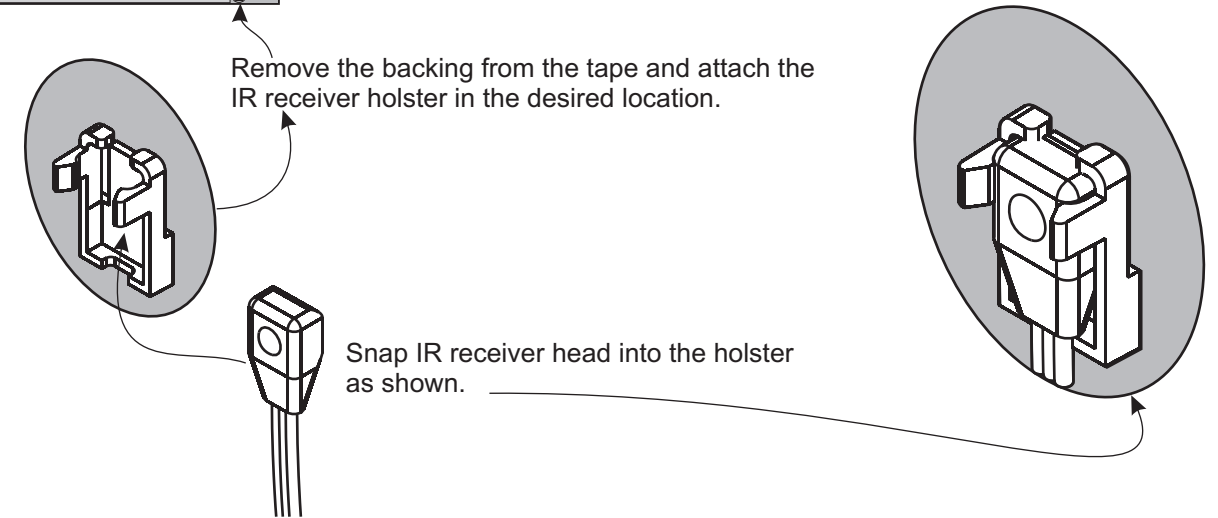
Using the IR-4101 with an E-series IR modulator



Mounting the IR receiver: Option 1 - Using the holster



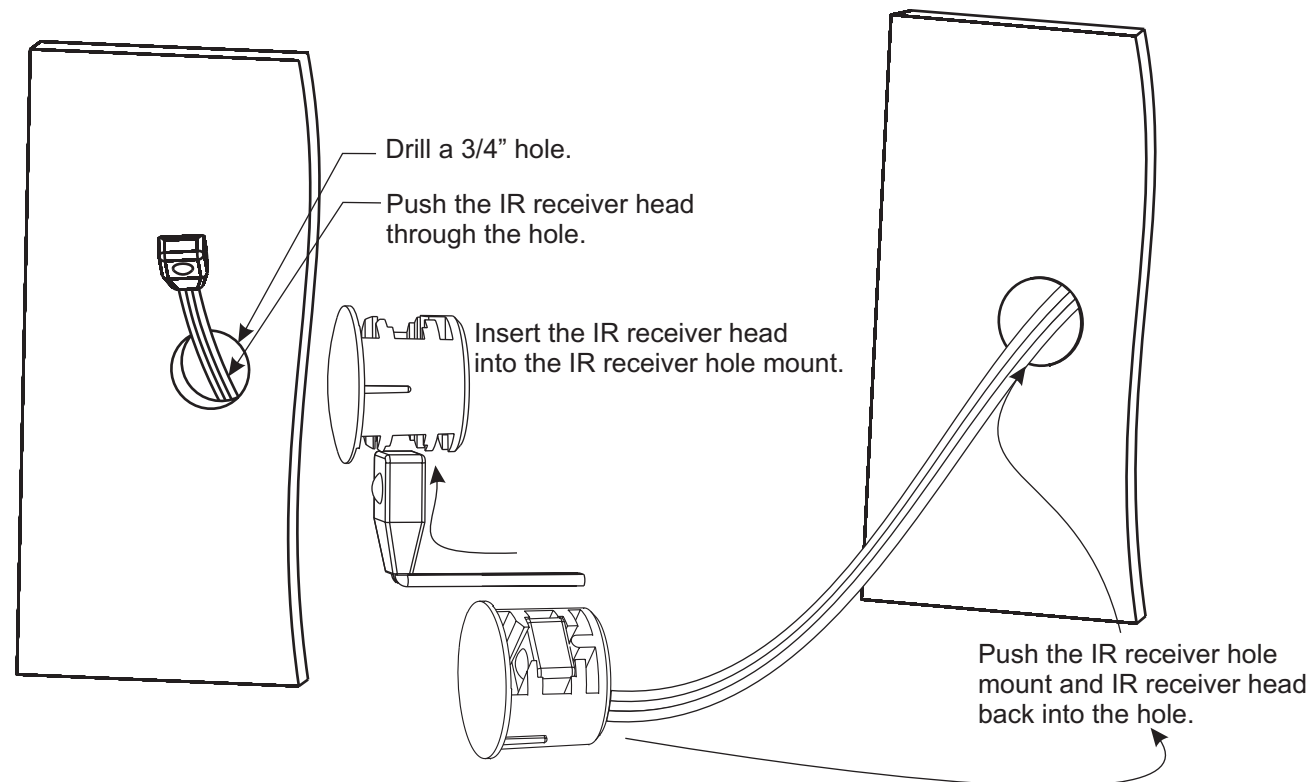
Mount the IR receiver to the TV or on a surface within line of sight of your remote control.



Remove the backing from the tape and attach the IR receiver holster in the desired location.

Snap IR receiver head into the holster as shown.

Mounting the IR receiver: Option 2 - Using the hole mount



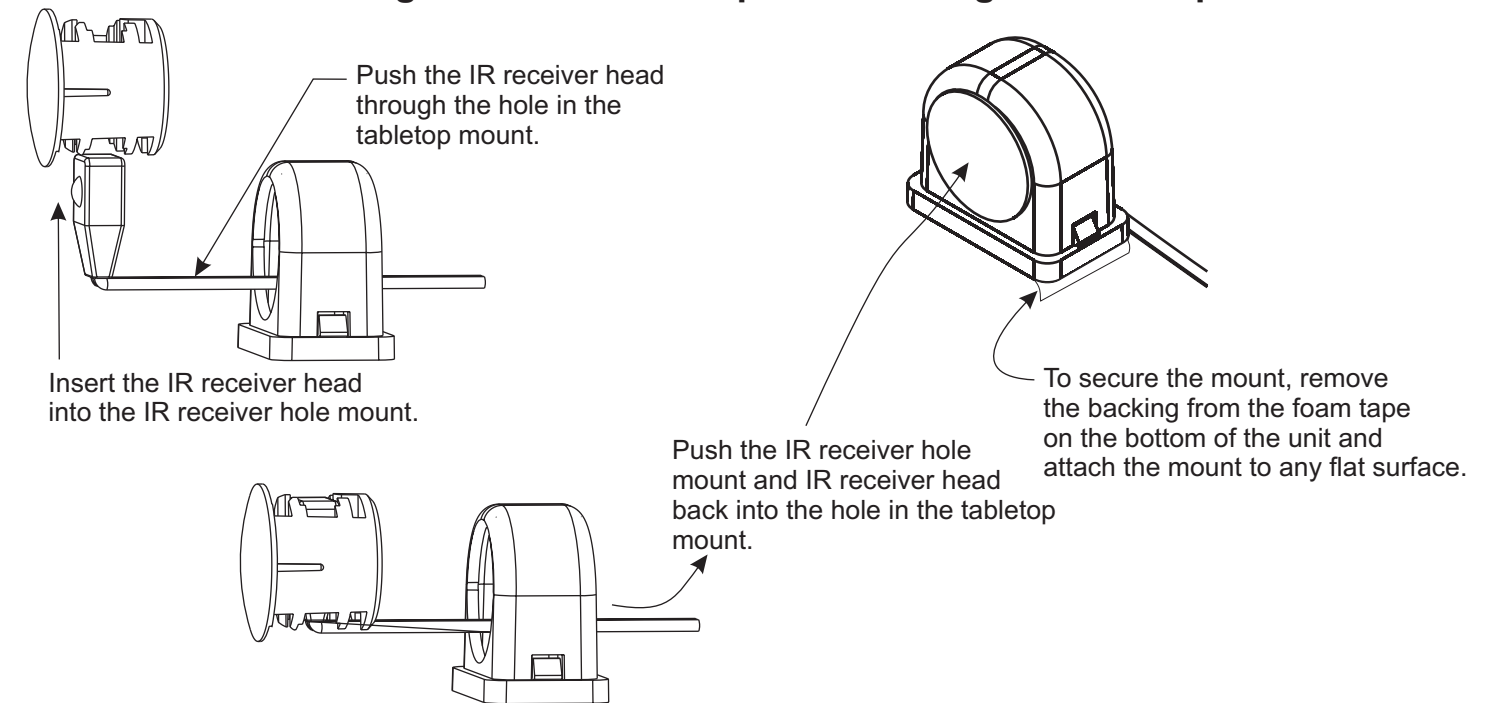
Drill a 3/4" hole.

Push the IR receiver head through the hole.

Insert the IR receiver head into the IR receiver hole mount.

Push the IR receiver hole mount and IR receiver head back into the hole.

Mounting the IR receiver: Option 3 - Using the tabletop mount



Push the IR receiver head through the hole in the tabletop mount.

Insert the IR receiver head into the IR receiver hole mount.

Push the IR receiver hole mount and IR receiver head back into the hole in the tabletop mount.

To secure the mount, remove the backing from the foam tape on the bottom of the unit and attach the mount to any flat surface.

Free Manuals Download Website

<http://myh66.com>

<http://usermanuals.us>

<http://www.somanuals.com>

<http://www.4manuals.cc>

<http://www.manual-lib.com>

<http://www.404manual.com>

<http://www.luxmanual.com>

<http://aubethermostatmanual.com>

Golf course search by state

<http://golfingnear.com>

Email search by domain

<http://emailbydomain.com>

Auto manuals search

<http://auto.somanuals.com>

TV manuals search

<http://tv.somanuals.com>