

The MX300 delivery

The MX300 with a floor stand is delivered in three boxes with the following parts:

- Floor stand column, floor stand base and floor stand covers. Screws and Allen key
- LCD video unit, touch controller, microphones and cables. Screws, screwdriver and gloves
- Back cover

Manpower

Two people working together are required to mount the LCD video unit to the floor stand column.

Dimensions

Height (without camera): 1420 mm / 56 in.
 Width: 1290 mm / 51 in.
 Depth: 730 mm / 29 in.
 Weight: 42 kg / 93 lb

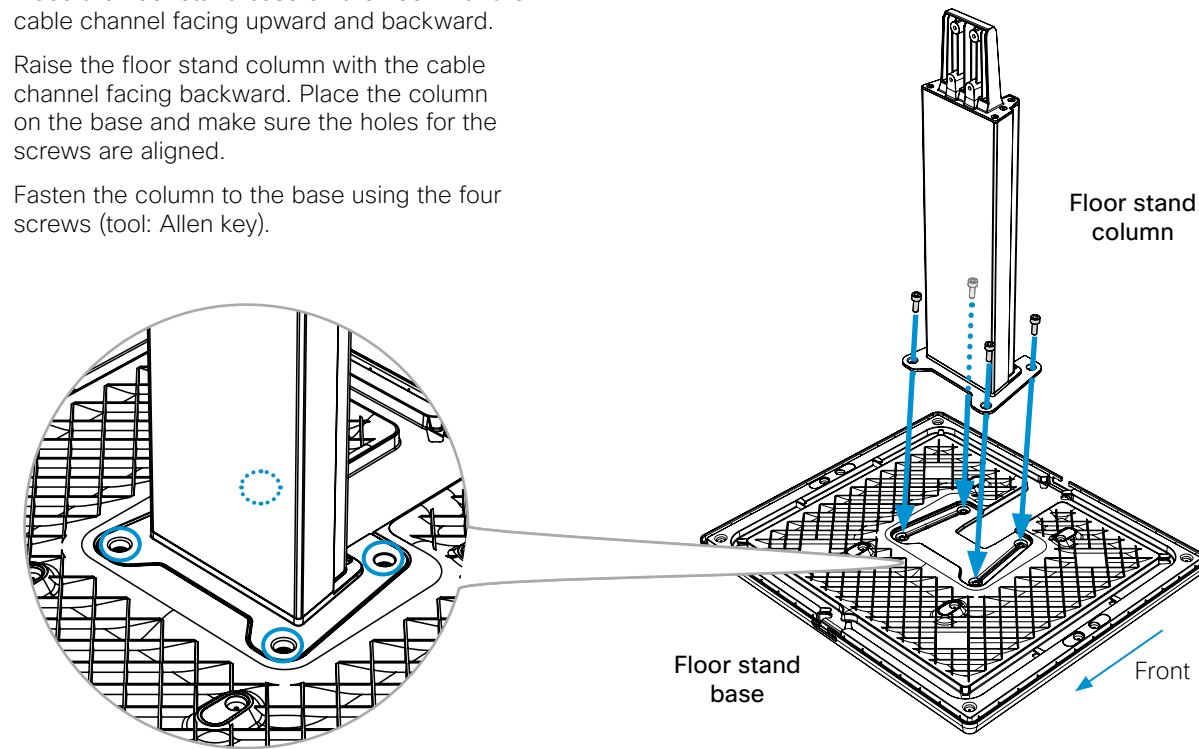
Documentation

The user documentation for this product, including compliance and safety information, is available on the Cisco web site, <http://www.cisco.com/go/telepresence/docs>.



1 Unpacking the floor stand box and mounting the floor stand

- Unpack the floor stand box with the floor stand base, floor stand column and floor stand covers, screws and Allen key.
- Place the floor stand base on the floor with the cable channel facing upward and backward.
- Raise the floor stand column with the cable channel facing backward. Place the column on the base and make sure the holes for the screws are aligned.
- Fasten the column to the base using the four screws (tool: Allen key).

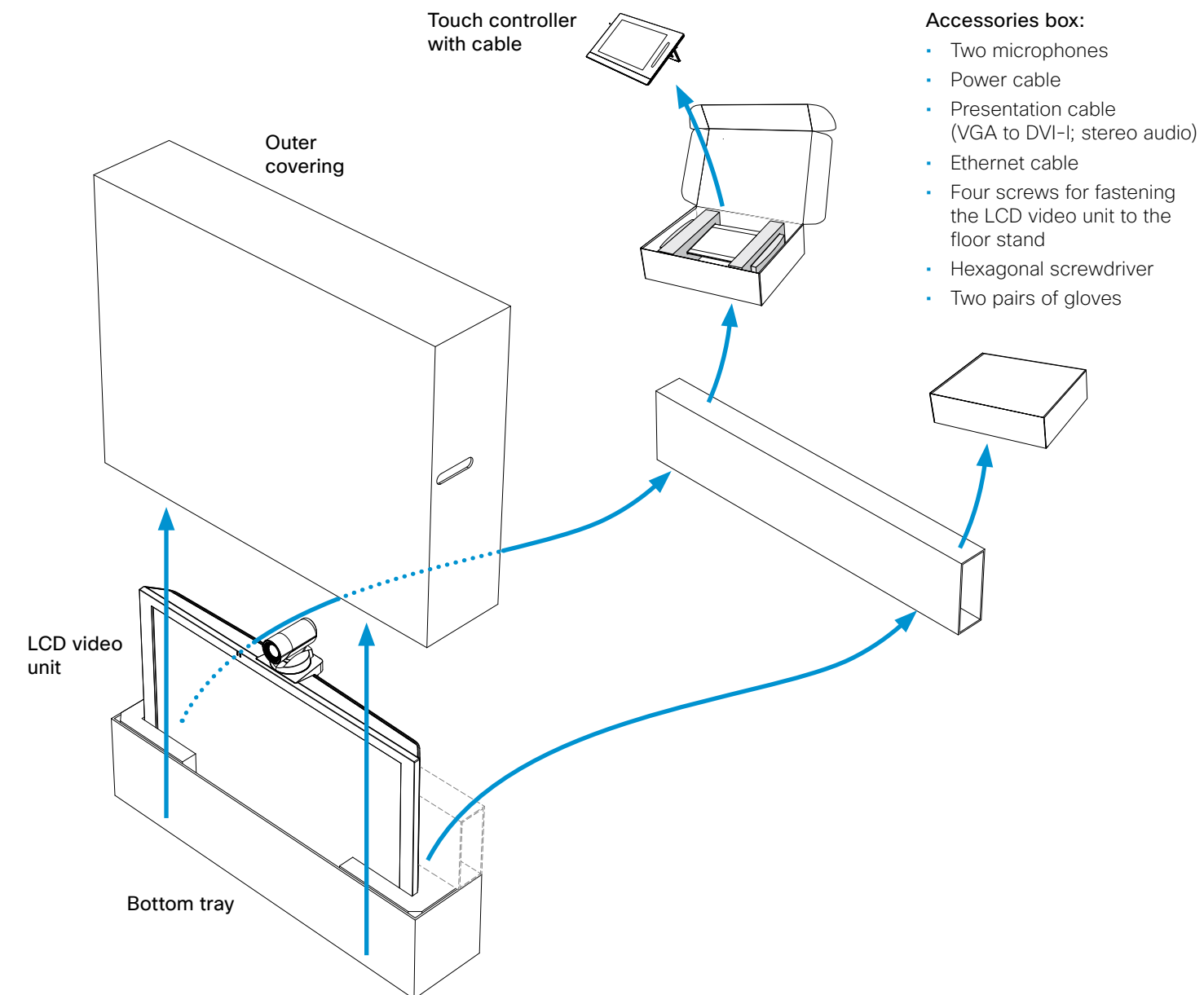


2 Unpacking the MX300 box with the LCD video unit, Touch controller and accessories

- Cut the straps and lift off the outer covering.
- Remove the upper foam protection.
- Lift out the rectangular box behind the LCD video unit.

Note: Leave the LCD video unit in the bottom tray for now.

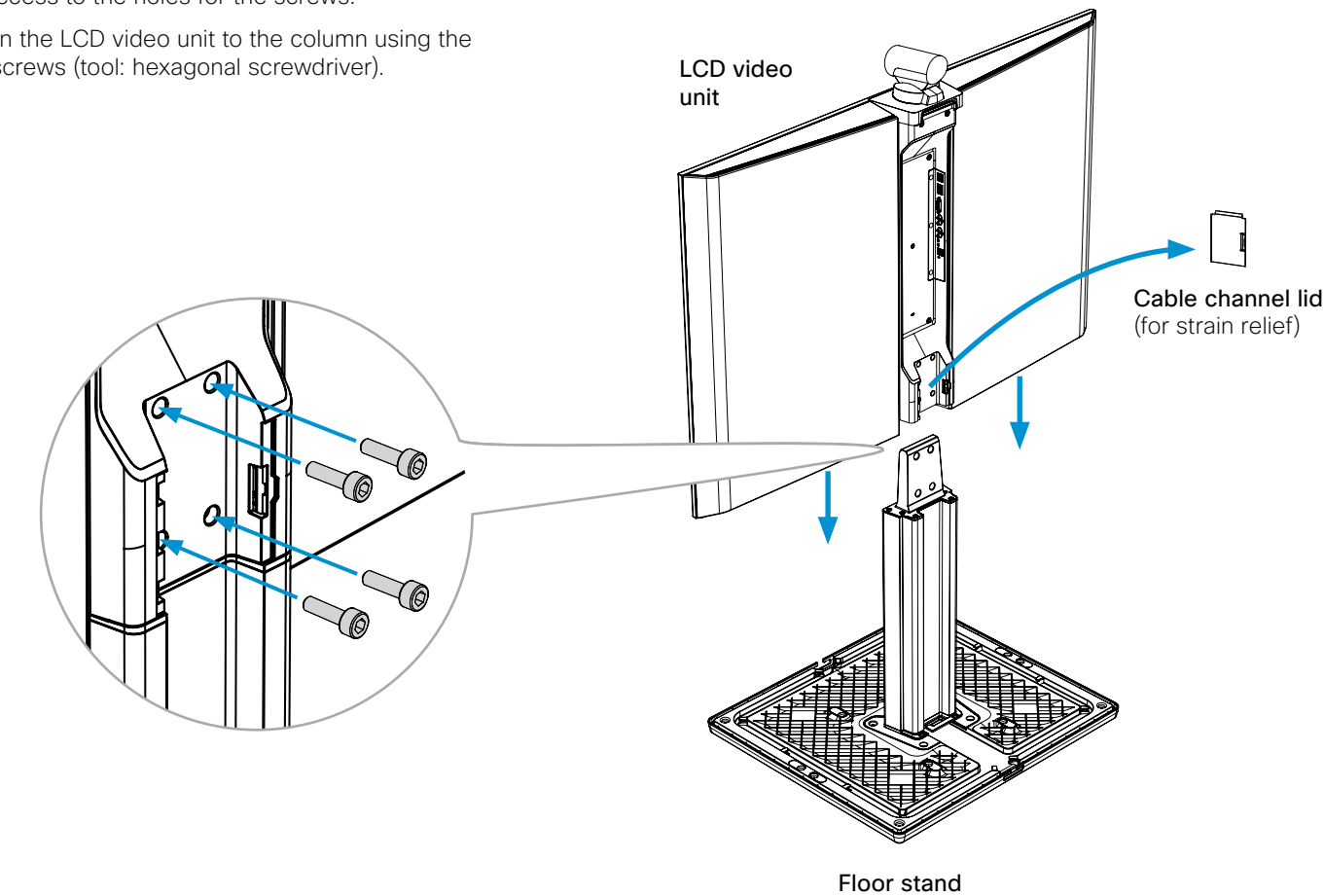
This box contains two smaller boxes: One with the Touch controller, and one accessories box with the microphones, cables, screws and screwdriver.



3 Mounting the LCD video unit to the floor stand

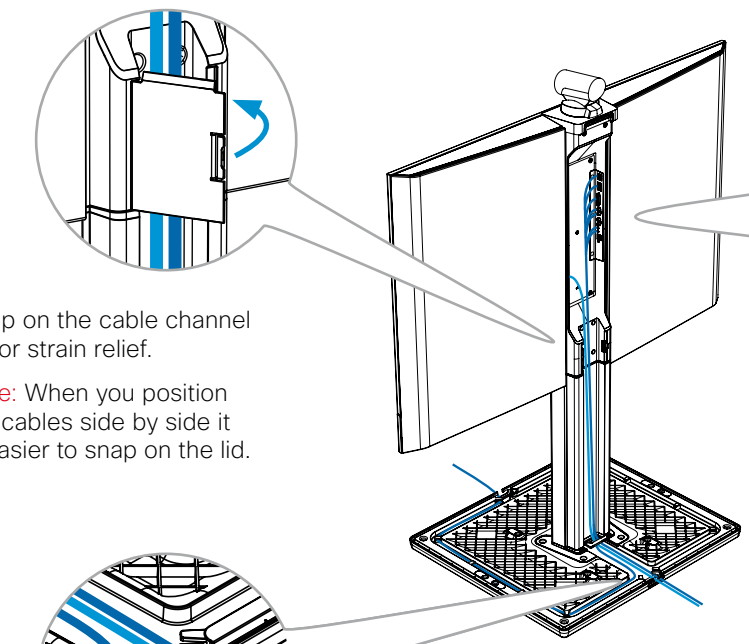
Note: Always use the provided gloves when handling the LCD video unit to avoid stains on the unit's surface.

- Lift the LCD video unit from the bottom tray and slide it onto the top of the floor stand column. Two people working together are required for this operation. 31 kg / 68 lb
- Remove the cable channel lid (see illustration) to get access to the holes for the screws.
- Fasten the LCD video unit to the column using the four screws (tool: hexagonal screwdriver).

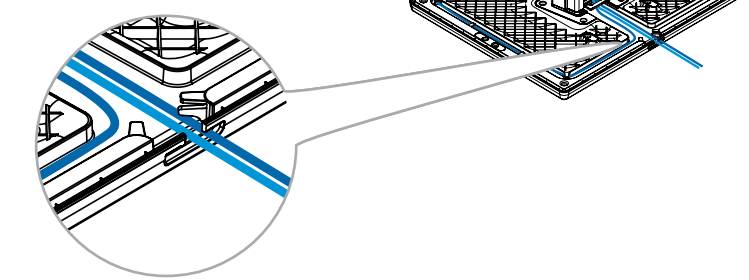


4 Connecting the cables

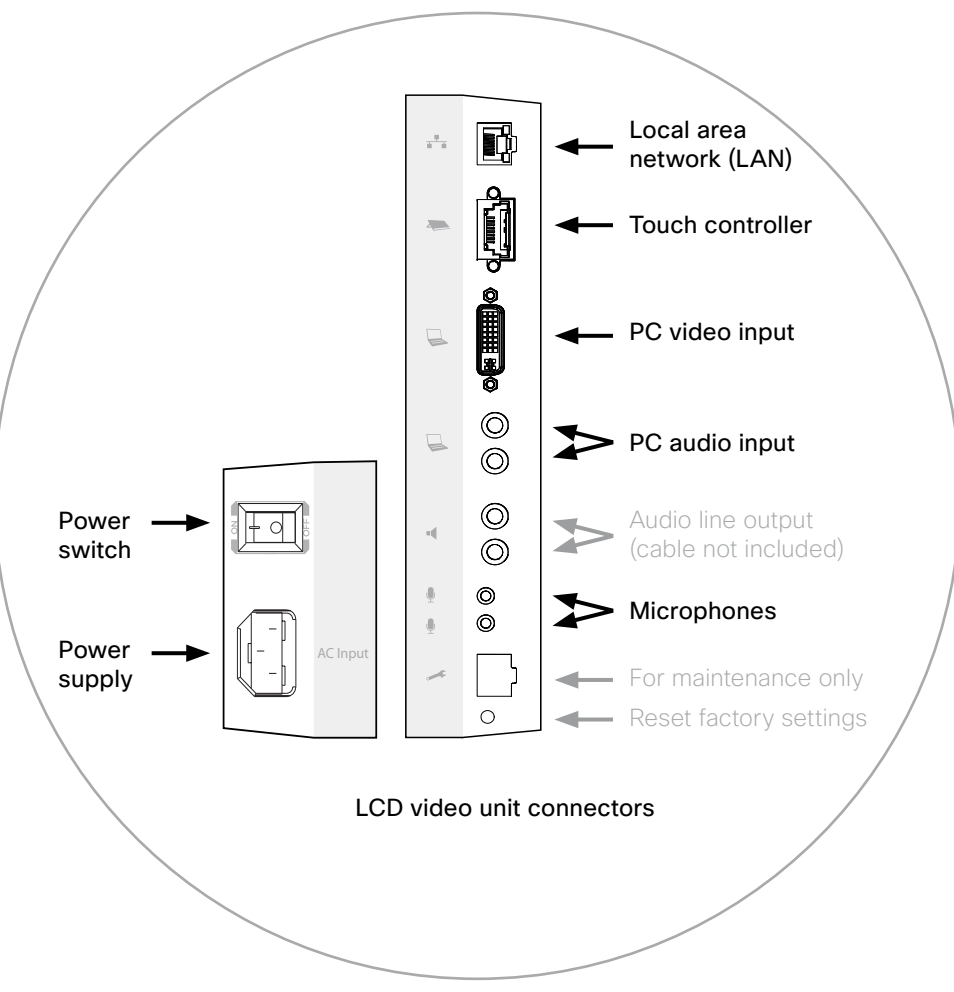
- i Connect the cables. The connectors are placed at the rear side of the LCD video unit. See illustration for details.
- ii Lead the cables down the cable channel.



- iii Snap on the cable channel lid for strain relief.
Note: When you position the cables side by side it is easier to snap on the lid.



- iv Lead the cables in the cable slots in the floor stand. Be careful to put the cables below the hooks.
You can lead the cables out at the front or back of the system as appropriate.
Note: If cables are longer than you need, you can lead them around the cable slot several times. If more convenient, do this before connecting the cables to the unit.



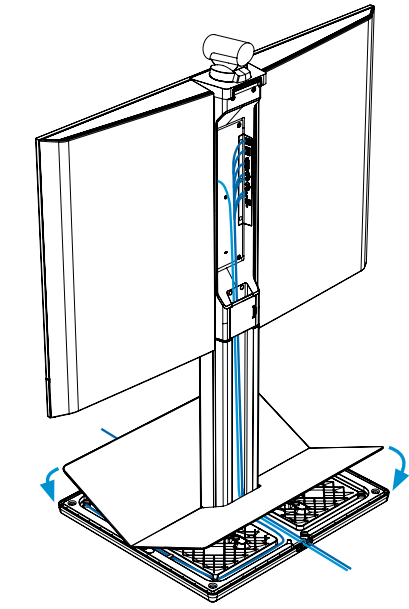
5 Switching on the system

- i Plug in the cables from the LCD video unit as appropriate, and make sure the Touch controller is connected.
SAFETY REQUIREMENT: The equipment shall be installed close to the socket outlet. The socket outlet shall be easily accessible after installation.
- ii Switch on the system.
The power switch is located above the power connector on the rear side of the LCD video unit.

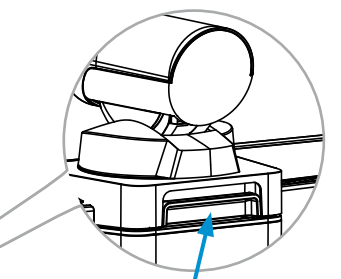
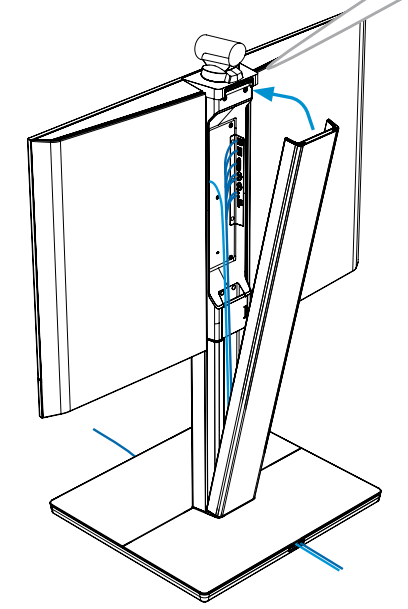
- iii Wait while the MX300 starts up. Normally this takes just a few minutes. If an automatic software upgrade occurs the start-up process may take up to 15 minutes.
When the home menu and contact list appear on the Touch controller the system is ready to use.
CAUTION: To alter the camera position always use the Camera Control panel on the Touch controller; never move the camera manually when the power is switched on.

6 Snapping on the floor stand covers and back cover

- i Ensure that the cables are placed under the hooks in the cable slots.
Then snap on the two floor stand covers, one at a time. The covers are fastened with magnets when they are lowered toward the base.



- ii Snap on the back cover to hide the connectors and cables.
The back cover is delivered in a separate box.



You can lock/unlock the back cover by lifting this handle. Use both hands if required.

7 Finishing up

- i Remove the protective foil from the LCD video unit.
- ii If required, clean the Touch display (not the LCD video display) using the dry cleaning cloth provided.
- iii Unfold the rear-mounted foot on the Touch controller to increase its tilt.

EMC A-Class declaration

声明

此为A级产品，在生活环境中，该产品可能会造成无线电干扰。在这种情况下，可能需要用户对其干扰采取切实可行的措施。

WARNING: This is a class A product. In a domestic environment this product may cause radio interference in which case the user may be required to take adequate measures.



On our web site you will find an overview of the worldwide Cisco contacts.
Go to: <http://www.cisco.com/web/siteassets/contacts>.

Corporate Headquarters
Cisco Systems, Inc.
170 West Tasman Dr.
San Jose, CA 95134 USA

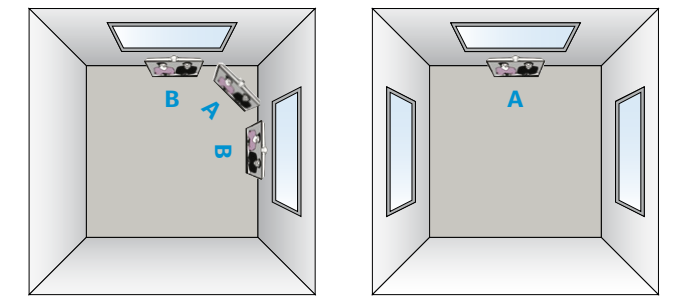
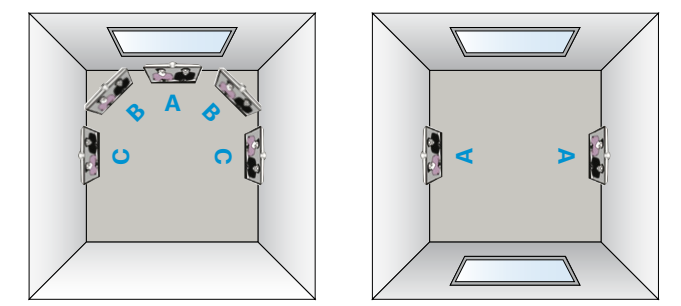
LCD video unit placement

The placement of the video system in a room will influence the overall conferencing experience both at the local and remote sites.

You should aim for:

- Good illumination of a person's face to avoid annoying shadows.
- No direct light on the LCD video display to avoid reflections.

The illustrations to the right show in general where to place your MX300 system depending on the window positions in the room. For each room layout the MX300 position(s) marked with A are preferred, then B and finally C. You should avoid any position not shown in the illustrations.

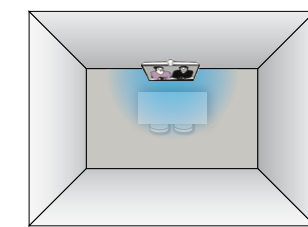
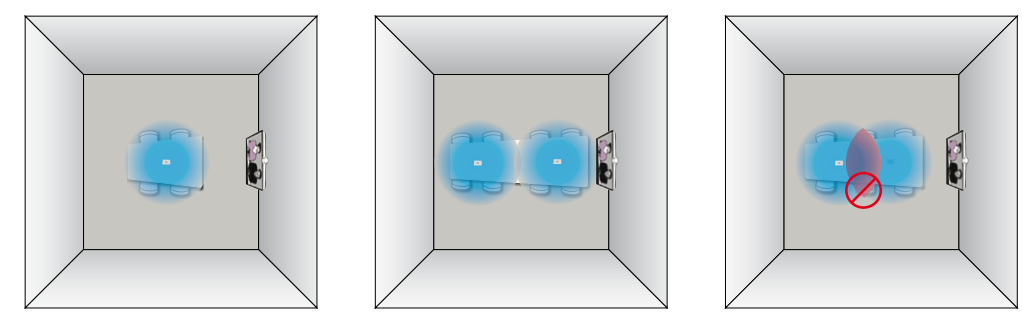


Microphone placement

Correctly placed microphones are very important to obtain a good conferencing experience.

We recommend that you place the microphone(s) as close to all users as possible, and that you avoid putting equipment with noisy fans, such as computers and projectors, close to a microphone.

If you are using more than one microphone, place them far apart to minimize the interference. The required distance between the microphones depends on the acoustics of your room; normally 2 m (6.5 ft) will suffice.



If you want to learn more about optimizing your office or meeting room for video conferencing, please read the *Video conferencing room primer and Guidelines for video conferencing room acoustics* documents that are available on the Cisco web site, <http://www.cisco.com/go/telepresence/docs>.

Free Manuals Download Website

<http://myh66.com>

<http://usermanuals.us>

<http://www.somanuals.com>

<http://www.4manuals.cc>

<http://www.manual-lib.com>

<http://www.404manual.com>

<http://www.luxmanual.com>

<http://aubethermostatmanual.com>

Golf course search by state

<http://golfingnear.com>

Email search by domain

<http://emailbydomain.com>

Auto manuals search

<http://auto.somanuals.com>

TV manuals search

<http://tv.somanuals.com>