



# Telco and ISP Dial Scenarios and Configurations

---

This chapter provides sample hardware and software configurations for specific dial scenarios used by telcos, Internet service providers (ISPs), regional Bell operating companies (RBOCs), inter-exchange carriers (IXCs), and other service providers. Each configuration in this chapter is designed to enable IP network traffic with basic security authentication.

The following scenarios are described:

- Scenario 1—Small- to Medium-Scale POPs
- Scenario 2—Large-Scale POPs
- Scenario 3—PPP Calls over X.25 Networks



**Note**

---

In all of these example scenarios, you can replace the Cisco AS5200 access server with a Cisco AS5300 access servers, Cisco AS5800 access servers, or Cisco AccessPath routers. This hardware exchange provides higher call density performance and increases the number of PRI interfaces and modem ports on each chassis.

---

## Small- to Medium-Scale POPs

Many small-to-medium-sized ISPs configure one or two access servers to provide dial-in access for their customers. Many of these dial-in customers use individual remote personal computers (PCs) that are not connected to LANs. Using the Windows 95 dialup software, remote clients initiate analog or digital connections using modems or home office ISDN BRI terminal adapters.

This section provides three types of single user dial-in scenarios for service providers:

- Individual Remote PCs Using Analog Modems
- Individual PCs Using ISDN Terminal Adapters
- Mixture of ISDN and Analog Modem Calls



**Note**

---

Be sure to include your own IP addresses, host names, and security passwords where appropriate. The following sample configurations assume that the dial-in clients are individual PCs running PPP, connecting to an IP network, and requiring only basic security authentication.

---

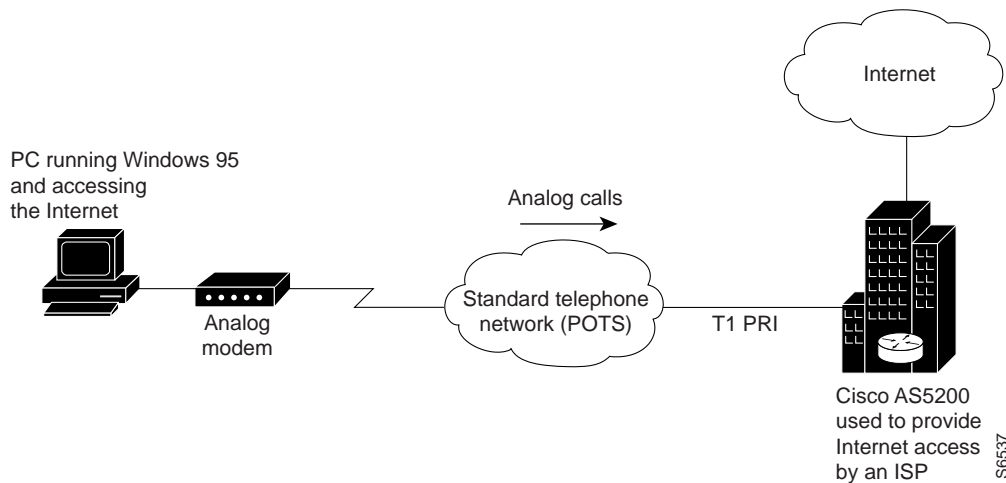
## Individual Remote PCs Using Analog Modems

ISPs can configure a single Cisco AS5200 access servers to receive analog calls from remote PCs connected to modems, as shown in Figure 51. The point of presence (POP) at the ISP central site could also be a Cisco 2511 access server connected to external modems.

### Network Topology

Figure 51 shows a small-scale dial-in scenario using modems.

**Figure 51** Remote PC Using an Analog Modem to Dial In to a Cisco AS5200 Access Server



### Running Configuration for ISDN PRI

The following example runs on the Cisco AS5200 access server, as shown in Figure 51, which enables remote analog users to dial in:

```
!
version 11.2
service timestamps debug datetime msec
service timestamps log datetime msec
service password-encryption
no service udp-small-servers
no service tcp-small-servers
!
hostname NAS
!
aaa new-model
aaa authentication login console enable
aaa authentication login vty tacacs+
aaa authentication login dialin tacacs+
aaa authentication ppp default tacacs+
aaa authentication ppp dialin if-needed tacacs+
enable secret cisco
!
async-bootp dns-server 10.1.3.1 10.1.3.2
isdn switch-type primary-5ess
!
```

```
controller T1 0
  framing esf
  clock source line primary
  linecode b8zs
  pri-group timeslots 1-24
!
controller T1 1
  framing esf
  clock source line secondary
  linecode b8zs
  pri-group timeslots 1-24
!
interface Loopback0
  ip address 10.1.2.254 255.255.255.0
!
interface Ethernet0
  ip address 10.1.1.10 255.255.255.0
  ip summary address eigrp 10 10.1.2.0 255.255.255.0
!
interface Serial0
  no ip address
  shutdown
!
interface Serial1
  no ip address
  shutdown
!
interface Serial0:23
  no ip address
  encapsulation ppp
  isdn incoming-voice modem
!
interface Serial1:23
  no ip address
  isdn incoming-voice modem
!
interface Group-Async1
  ip unnumbered Loopback0
  encapsulation ppp
  async mode interactive
  peer default ip address pool dialin_pool
  no cdp enable
  ppp authentication chap pap dialin
  group-range 1 48
!
router eigrp 10
  network 10.0.0.0
  passive-interface Dialer0
  no auto-summary
!
ip local pool dialin_pool 10.1.2.1 10.1.2.50
ip default-gateway 10.1.1.1
ip classless
!
dialer-list 1 protocol ip permit
!
line con 0
  login authentication console
line 1 48
  autoselect ppp
  autoselect during-login
  login authentication dialin
  modem DialIn
!
```

```

line aux 0
  login authentication console
line vty 0 4
  login authentication vty
  transport input telnet rlogin
!
end

```

Some service providers use a remote TACACS+ or RADIUS security server in this dial-in scenario. The following example shows a TACACS+ entry that appears in the configuration file of a remote security server:

```

user = PCuser1 {
  login = cleartext "dialpass1"
  chap = cleartext "dialpass1"
  service = ppp protocol = ip {
    addr-pool = dialin_pool
  }
  service = exec {
    autocmd = "ppp negotiate"
  }
}

user = PCuser2 {
  login = cleartext "dialpass2"
  chap = cleartext "dialpass2"
  service = ppp protocol = ip {
    addr-pool = dialin_pool
  }
  service = exec {
    autocmd = "ppp negotiate"
  }
}

user = PCuser3 {
  login = cleartext "dialpass3"
  chap = cleartext "dialpass3"
  service = ppp protocol = ip {
    addr-pool = dialin_pool
  }
  service = exec {
    autocmd = "ppp negotiate"
  }
}

```

## Running Configuration for Robbed-Bit Signalling

The following example shows a single Cisco AS5200 access server configured to support remote client PCs dialing in with analog modems over traditional T1 lines. Digital ISDN calls do not transmit across these older types of channelized lines. The configuration assumes that the client can dial in and connect to the router in either terminal emulation mode (text only) or PPP packet mode.



### Note

The following configuration works only for analog modem calls. It includes no serial D-channel configuration (Serial 0:23 and Serial 1:23).

```
version 11.2
service timestamps debug datetime msec
service timestamps log datetime msec
service password-encryption
no service udp-small-servers
no service tcp-small-servers
!
hostname NAS
!
aaa new-model
aaa authentication login console enable
aaa authentication login vty tacacs+
aaa authentication login dialin tacacs+
aaa authentication ppp default tacacs+
aaa authentication ppp dialin if-needed tacacs+
enable secret cisco
!
async-bootp dns-server 10.1.3.1 10.1.3.2
isdn switch-type primary-5ess
!
controller T1 0
 framing esf
 clock source line primary
 linecode b8zs
 cas-group 0 timeslots 1-24 type e&m-fgb
!
controller T1 1
 framing esf
 clock source line secondary
 linecode b8zs
 cas-group 0 timeslots 1-24 type e&m-fgb
!
interface Loopback0
 ip address 10.1.2.254 255.255.255.0
!
interface Ethernet0
 ip address 10.1.1.10 255.255.255.0
 ip summary address eigrp 10 10.1.2.0 255.255.255.0
!
interface Serial0
 no ip address
 shutdown
!
interface Serial1
 no ip address
 shutdown
!
!
interface Group-Async1
 ip unnumbered Loopback0
 encapsulation ppp
 async mode interactive
 peer default ip address pool dialin_pool
 no cdp enable
 ppp authentication chap pap dialin
 group-range 1 48
!
router eigrp 10
 network 10.0.0.0
 passive-interface Dialer0
 no auto-summary
!
ip local pool dialin_pool 10.1.2.1 10.1.2.50
ip default-gateway 10.1.1.1
```

```

ip classless
!
dialer-list 1 protocol ip permit
!
line con 0
  login authentication console
line 1 48
  autoselect ppp
  autoselect during-login
  login authentication dialin
  modem DialIn
line aux 0
  login authentication console
line vty 0 4
  login authentication vty
  transport input telnet rlogin
!
end

```

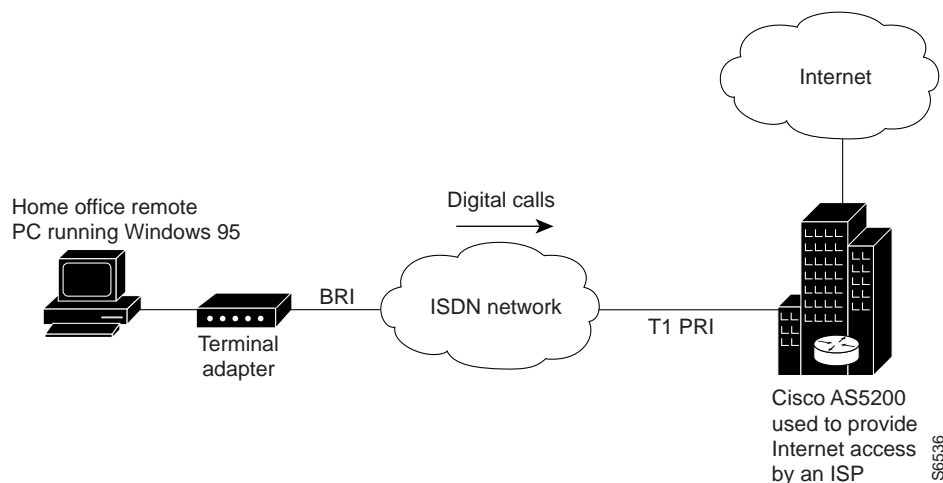
## Individual PCs Using ISDN Terminal Adapters

ISPs can configure a single Cisco AS5200 access server to receive digital multilink calls from remote PCs connected to terminal adapters, as shown in Figure 52. The POP at the central site of the ISP can be any Cisco router that supports ISDN PRI, such as the Cisco 4700-M router loaded with a channelized T1 PRI network module.

### Network Topology

Figure 52 shows a small-scale dial-in scenario using terminal adapters.

**Figure 52** Remote PC Using a Terminal Adapter to Dial In to a Cisco AS5200 Access Server



To configure one Cisco AS5200 to accept both incoming ISDN and analog calls from individual terminal adapters and modems, see the section “Mixture of ISDN and Analog Modem Calls” later in this chapter.

## Terminal Adapter Configuration Example

The following example configures a Cisco AS5200 access server to enable PCs fitted with internal or external terminal adapters to dial in to an IP network. The terminal adapter configuration is set up for asynchronous to synchronous PPP conversion. In some cases, PPP authentication must be set up for the Password Authentication Protocol (PAP). Some terminal adapters only support PAP authentication.

```
!  
version 11.2  
service timestamps debug datetime msec  
service timestamps log datetime msec  
service password-encryption  
no service udp-small-servers  
no service tcp-small-servers  
!  
hostname NAS  
!  
aaa new-model  
aaa authentication login console enable  
aaa authentication login vty tacacs+  
aaa authentication login dialin tacacs+  
aaa authentication ppp default tacacs+  
aaa authentication ppp dialin if-needed tacacs+  
enable secret cisco  
!  
async-bootp dns-server 10.1.3.1 10.1.3.2  
isdn switch-type primary-5ess  
!  
controller T1 0  
framing esf  
clock source line primary  
linecode b8zs  
pri-group timeslots 1-24  
!  
controller T1 1  
framing esf  
clock source line secondary  
linecode b8zs  
pri-group timeslots 1-24  
!  
interface Loopback0  
ip address 10.1.2.254 255.255.255.0  
!  
interface Ethernet0  
ip address 10.1.1.10 255.255.255.0  
ip summary address eigrp 10 10.1.2.0 255.255.255.0  
!  
interface Serial0  
no ip address  
shutdown  
!  
interface Serial1  
no ip address  
shutdown  
!  
interface Serial0:23  
no ip address  
encapsulation ppp  
dialer rotary-group 0  
dialer-group 1  
no fair-queue  
no cdp enable  
!
```

```
interface Serial1:23
  no ip address
  encapsulation ppp
  dialer rotary-group 0
  dialer-group 1
  no fair-queue
  no cdp enable
!
interface Dialer0
  ip unnumbered Loopback0
  no ip mroute-cache
  encapsulation ppp
  peer default ip address pool dialin_pool
  dialer in-band
  dialer-group 1
  no fair-queue
  no cdp enable
  ppp authentication chap pap dialin
  ppp multilink
!
router eigrp 10
  network 10.0.0.0
  passive-interface Dialer0
  no auto-summary
!
ip local pool dialin_pool 10.1.2.1 10.1.2.50
ip default-gateway 10.1.1.1
ip classless
!
!
!
dialer-list 1 protocol ip permit
!
line con 0
  login authentication console
line 1 48
  autoselect ppp
  autoselect during-login
  login authentication dialin
  modem DialIn
line aux 0
  login authentication console
line vty 0 4
  login authentication vty
  transport input telnet rlogin
!
end
```



## Mixture of ISDN and Analog Modem Calls

ISPs can configure a single Cisco AS5200 access server to receive calls from a mixture of remote PCs connected to terminal adapters and modems, as shown in Figure 53.

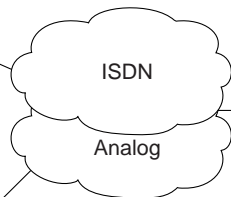
**Figure 53** Remote PCs Making Digital Calls and Analog Calls to a Cisco AS5200

Home office PC  
running Windows 95  
and making digital  
calls in to the Internet



Terminal  
adapter

BRI



T1 PRI



ISP using a  
Cisco AS5200  
to provide  
Internet access

Internet

S66535



Modem

Home office PC  
running Windows 95  
and making analog  
modem calls in to  
the Internet

## Combination of Modem and ISDN Dial-In Configuration Example

The following example shows a combination of the modem and ISDN dial-in configurations. Using the bearer capability information element in the call setup packet, the incoming calls are labeled as data or voice. After the calls enter the access server, they are routed either to the serial configuration or to the modems and group asynchronous configuration.

**Note**

This configuration assumes that only individual remote PCs are dialing in; no remote routers are dialing in. For a remote router dial-in configuration, see the chapter “Enterprise Dial Scenarios and Configurations” in this publication.

```

!
version 11.2
service timestamps debug datetime msec
service timestamps log datetime msec
service password-encryption
no service udp-small-servers
no service tcp-small-servers
!
hostname NAS
!
aaa new-model
aaa authentication login console enable
aaa authentication login vty tacacs+
aaa authentication login dialin tacacs+
aaa authentication ppp default tacacs+
aaa authentication ppp dialin if-needed tacacs+
enable secret cisco
!
async-bootp dns-server 10.1.3.1 10.1.3.2
isdn switch-type primary-5ess
!
controller T1 0
framing esf
clock source line primary
linecode b8zs
pri-group timeslots 1-24
!
controller T1 1
framing esf
clock source line secondary
linecode b8zs
pri-group timeslots 1-24
!
interface Loopback0
ip address 10.1.2.254 255.255.255.0
!
interface Ethernet0
ip address 10.1.1.10 255.255.255.0
ip summary address eigrp 10 10.1.2.0 255.255.255.0
!
interface Serial0
no ip address
shutdown
!
interface Serial1
no ip address
shutdown
!
interface Serial0:23
no ip address
encapsulation ppp
isdn incoming-voice modem
dialer rotary-group 0
dialer-group 1
no fair-queue
no cdp enable
!

```

```
interface Serial1:23
  no ip address
  encapsulation ppp
  isdn incoming-voice modem
  dialer rotary-group 0
  dialer-group 1
  no fair-queue
  no cdp enable
!
interface Group-Async1
  ip unnumbered Loopback0
  encapsulation ppp
  async mode interactive
  peer default ip address pool dialin_pool
  no cdp enable
  ppp authentication chap pap dialin
  group-range 1 48
!
interface Dialer0
  ip unnumbered Loopback0
  no ip mroute-cache
  encapsulation ppp
  peer default ip address pool dialin_pool
  dialer in-band
  dialer-group 1
  no fair-queue
  no cdp enable
  ppp authentication chap pap dialin
  ppp multilink
!
router eigrp 10
  network 10.0.0.0
  passive-interface Dialer0
  no auto-summary
!
ip local pool dialin_pool 10.1.2.1 10.1.2.50
ip default-gateway 10.1.1.1
ip classless
!
dialer-list 1 protocol ip permit
!
line con 0
  login authentication console
line 1 48
  autoselect ppp
  autoselect during-login
  login authentication dialin
  modem DialIn
line aux 0
  login authentication console
line vty 0 4
  login authentication vty
  transport input telnet rlogin
end
```

# Large-Scale POPs

This section describes how to set up a stack of access servers for a large-scale dial solution in the following sections:

- Scaling Considerations
- How Stacking Works
- Stack Group of Access Servers Using MMP with an Offload Processor Examples

## Scaling Considerations

Because of the significant increase in demand for Internet access, large POPs are required by many Telcos and ISPs. Internet access configurations can be set up to enable users dialing in with individual computers to make mixed ISDN multilink or modem connections using a stack of Cisco AS5200 universal access servers running Multichassis Multilink PPP (MMP).

You must consider scalability and call density issues when designing a large-scale dial-in POP. Because access servers have physical limitations, such as how many dial-in users can be supported on one device, you should consider the conditions and recommendations described in Table 24.

**Table 24** Recommended Configurations for Different Remote Access Needs

Dial-in Demand You Need to Support	Recommended Configuration
PCs dialing in, 75 to 90 percent modem calls, 10 to 25 percent ISDN calls (terminal adapters or routers), and support for fewer than 96 (T1) to 116 (E1) simultaneous dial-in connections.	Two Cisco AS5200 access servers configured for IP, basic security, MMP, L2F, and no offload server.
PCs dialing in, less than 50 percent modem calls, more than 50 percent ISDN calls (terminal adapters or routers), dial-in only, and 250 or more simultaneous links into the offload server.	Three or more Cisco AS5200 access servers configured for IP, remote security, MMP, and L2F. Each Cisco AS5200 access server is configured to offload its segmentation and reassembly of the multilink sessions onto an offload server, such as a Cisco 7202 or Cisco 4700 router.



### Note

Depending on the size of your POP requirement, you can replace the Cisco AS5200 access server with a Cisco AS5300, Cisco AS5800, or Cisco AccessPath. This hardware exchange provides higher call density performance and increases the number of ISDN PRI ports, channelized ports, and modem ports on each chassis.

## How Stacking Works

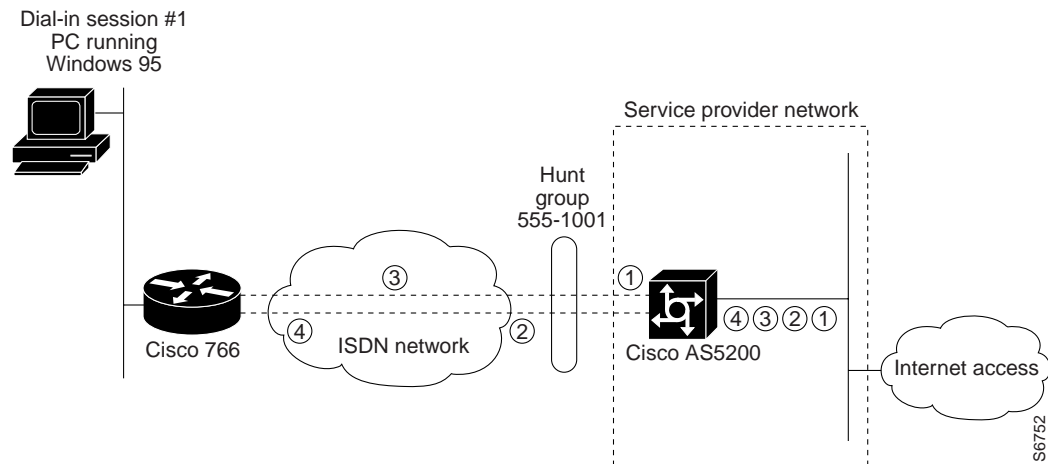
Before you install and configure a stack of access servers, you should understand the basic concepts described in the following sections, and how they work together in a large-scale dial-in solution:

- A Typical Multilink PPP Session
- Using Multichassis Multilink PPP
- Setting Up an Offload Server
- Using the Stack Group Bidding Protocol
- Using L2F

### A Typical Multilink PPP Session

A basic multilink session is an ISDN connection between two routing devices, such as a Cisco 766 router and a Cisco AS5200 access server. Figure 54 shows a remote PC connecting to a Cisco 766 ISDN router, which in turn opens two B-channel connections at 128 kbps across an ISDN network. The Multilink PPP (MLP) session is brought up. The Cisco 766 router sends four packets across the network to the Cisco AS5200, which in turn reassembles the packets back into the correct order and sends them out the LAN port to the Internet.

**Figure 54** A Typical Multilink PPP Session

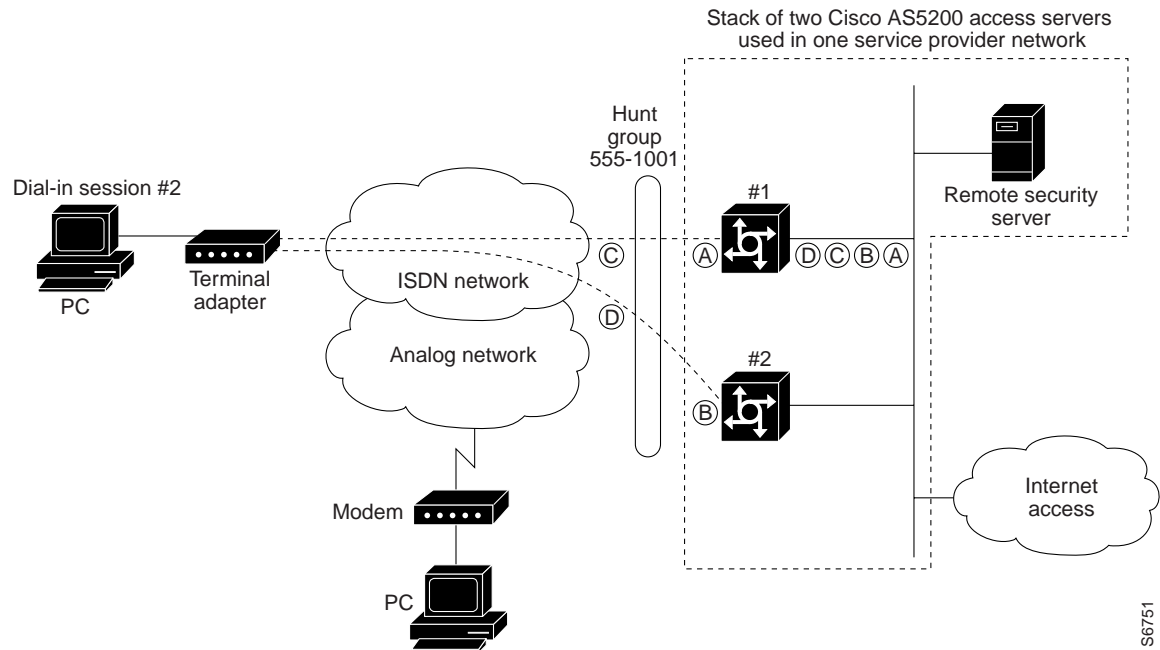


### Using Multichassis Multilink PPP

The dial solution becomes more complex when the scenario is scaled to include multiple multilink calls connecting across multiple chassis. Figure 55 shows a terminal adapter making a call in to the Cisco AS5200, labeled #1. However, only one of the access server's 48 B channels is available to accept the call. The other channels are busy with calls. As a result, one of the terminal adapter's two B channels is redirected to device #2. At this point, a multilink multichassis session is shared between two Cisco AS5200s that belong to the same stack group. Packet fragments A and C go to device #1. Packet fragments B and D go to device #2.

Because device #1 is the first access server to receive a packet and establish a link, this access server creates a virtual interface and becomes the bundle master. The bundle master takes ownership of the MLP session with the remote device. The Multichassis Multilink PPP (MMP) protocol forwards the second link from device #2 to the bundlemaster, which in turn bundles the two B channels together and provides 128 kbps to the end user. Layer 2 Forwarding (L2F) is the mechanism that device #2 uses to forward all packet fragments received from the terminal adapter to device #1. In this way, all packets and calls virtually appear to terminate at device #1.

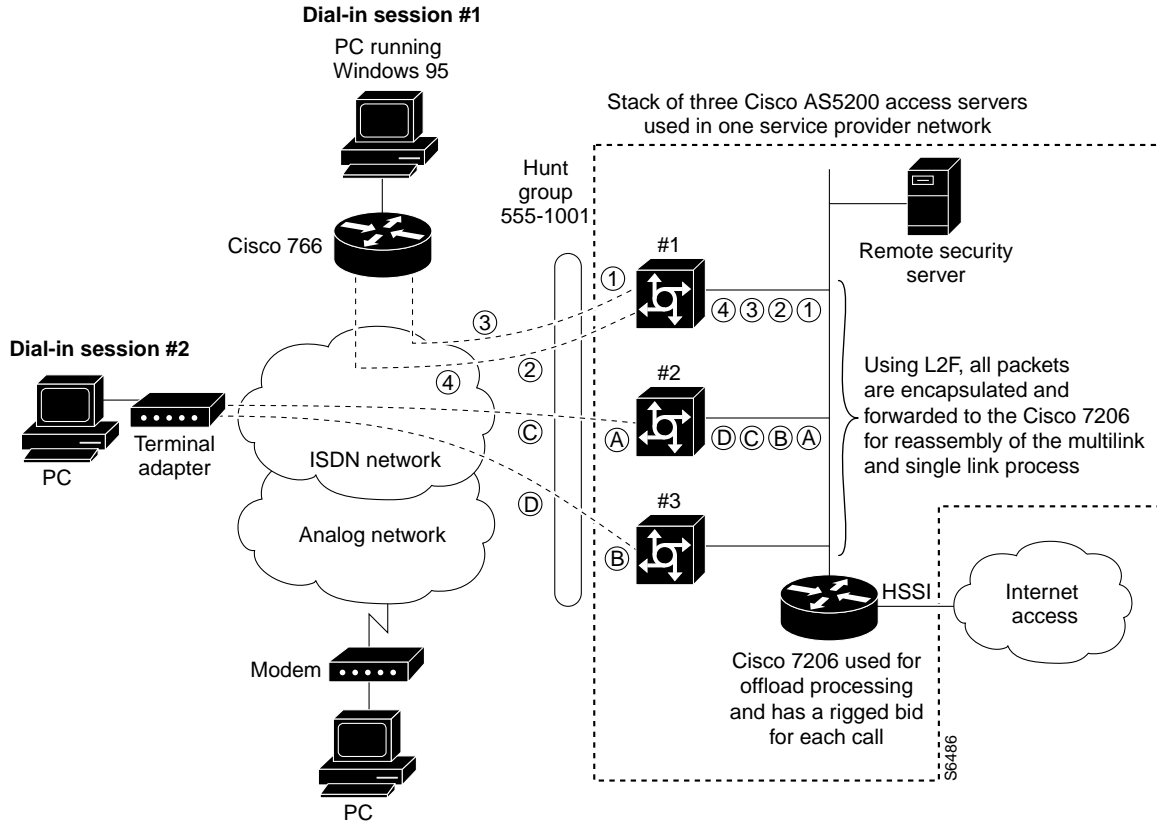
**Figure 55** A Stack Group of Access Servers Using MMP Without an Offload Processor



## Setting Up an Offload Server

Because MMP is a processor-intensive application, you might need to offload the processing or segmentation and reassembly from the Cisco AS5200 access servers to a router with a higher CPU, such as the Cisco 4700-M or Cisco 7206. We recommend that you include an offload server for dial-in solutions that support more than 50 percent ISDN calls or more than ten multilink sessions per Cisco AS5200 access server. (Refer to Figure 56.)

Figure 56 A Stack Group of Access Servers Using MMP with an Offload Processor



## Using the Stack Group Bidding Protocol

The Stack Group Bidding Protocol (SGBP) is a critical component used in multichassis multilink sessions. The SGBP unites each Cisco AS5200 access server in a virtual stack, which enables the access servers to become virtually tied together. Each independent stack member communicates with the other members and determines which device CPU should be in charge of running the multilink session and packet reassembly—the duty of the bundle master. The goal of SGBP is to find a common place to forward the links and ensure that this destination has enough CPU to perform the segmentation and packet reassembly. (Refer to Figure 56.)

When SGBP is configured on each Cisco AS5200, each access server sends out a query to each stack group member stating, for example, “I have a call coming in from walt@options.com. What is your bid for this user?” Each access server then consults the following default bidding criteria and answers the query accordingly:

- Do I have an existing call or link for the user walt@options.com? If I do, then bid very high to get this second link in to me.
- If I do not have an existing call for walt@options.com, then bid a value that is proportional to how much CPU I have available.
- How busy am I supporting other users?

**Note**


---

An offload server will always serve as the bundlemaster by bidding a higher value than the other devices.

---

## Using L2F

L2F is a critical component used in multichassis multilink sessions. If an access server is not in charge of a multilink session, the access server encapsulates the fragmented PPP frames and forwards them to the bundlemaster using L2F. The master device receives the calls, not through the dial port (such as a dual T1/PRI card), but through the LAN or Ethernet port. L2F simply tunnels packet fragments to the device that owns the multilink session for the call. If you include an offload server in your dial-in scenario, it creates all the virtual interfaces, owns all the multilink sessions, and reassembles all the fragmented packets received by L2F via the other stackgroup members. (Refer to Figure 56.)

## Stack Group of Access Servers Using MMP with an Offload Processor Examples

The following sections provide examples for the devices shown in Figure 56:

- Cisco AS5200 Access Server #1
- Cisco AS5200 Access Server #2
- Cisco AS5200 Access Server #3
- Cisco 7206 as Offload Server
- RADIUS Remote Security Examples

**Note**


---

Be sure to include your own IP addresses, host names, and security passwords where appropriate.

---

### Cisco AS5200 Access Server #1

The following example runs on the Cisco AS5200 access server labeled #1 in Figure 56:

```
!
version 11.2
service timestamps debug datetime msec
service timestamps log datetime msec
service password-encryption
no service udp-small-servers
no service tcp-small-servers
!
hostname AS5200-1
!
aaa new-model
aaa authentication login default local
aaa authentication login console enable
aaa authentication login vty local
aaa authentication login dialin radius
aaa authentication ppp default local
aaa authentication ppp dialin if-needed radius
aaa authorization exec local radius
aaa authorization network radius
```



```
aaa accounting network start-stop radius
aaa accounting exec start-stop radius
enable secret cisco
!
username admin password cisco
username MYSTACK password STACK-SECRET
sgbp group MYSTACK
sgbp member AS5200-2 10.1.1.12
sgbp member AS5200-3 10.1.1.13
sgbp member 7200 10.1.1.14
async-bootp dns-server 10.1.3.1 10.1.3.2
isdn switch-type primary-5ess
!
controller T1 0
 framing esf
 clock source line primary
 linecode b8zs
 pri-group timeslots 1-24
!
controller T1 1
 framing esf
 clock source line secondary
 linecode b8zs
 pri-group timeslots 1-24
!
interface Loopback0
 ip address 10.1.2.62 255.255.255.192
!
interface Ethernet0
 ip address 10.1.1.11 255.255.255.0
 ip summary address eigrp 10 10.1.2.0 255.255.255.192
!
interface Serial0
 no ip address
 shutdown
!
interface Serial1
 no ip address
 shutdown
!
interface Serial0:23
 no ip address
 encapsulation ppp
 isdn incoming-voice modem
 dialer rotary-group 0
 dialer-group 1
 no fair-queue
 no cdp enable
!
interface Serial1:23
 no ip address
 encapsulation ppp
 isdn incoming-voice modem
 dialer rotary-group 0
 dialer-group 1
 no fair-queue
 no cdp enable
!
interface Group-Async1
 ip unnumbered Loopback0
 encapsulation ppp
 async mode interactive
 peer default ip address pool dialin_pool
 no cdp enable
```

```
ppp authentication chap pap dialin
group-range 1 48
!
interface Dialer0
 ip unnumbered Loopback0
 no ip mroute-cache
 encapsulation ppp
 peer default ip address pool dialin_pool
 dialer in-band
 dialer-group 1
 no fair-queue
 no cdp enable
 ppp authentication chap pap dialin
 ppp multilink
!
router eigrp 10
 network 10.0.0.0
 passive-interface Dialer0
 no auto-summary
!
ip local pool dialin_pool 10.1.2.1 10.1.2.50
ip default-gateway 10.1.1.1
ip classless
!
!
!
dialer-list 1 protocol ip permit
radius-server host 10.1.1.23 auth-port 1645 acct-port 1646
radius-server host 10.1.1.24 auth-port 1645 acct-port 1646
radius-server key cisco
!
line con 0
 login authentication console
line 1 48
 autoselect ppp
 autoselect during-login
 login authentication dialin
 modem DialIn
line aux 0
 login authentication console
line vty 0 4
 login authentication vty
 transport input telnet rlogin
!
end
```

## Cisco AS5200 Access Server #2

The following example runs on the Cisco AS5200 access server labeled #2 shown in Figure 56:

```
!  
version 11.2  
service timestamps debug datetime msec  
service timestamps log datetime msec  
service password-encryption  
no service udp-small-servers  
no service tcp-small-servers  
!  
hostname AS5200-2  
!  
aaa new-model  
aaa authentication login default local  
aaa authentication login console enable  
aaa authentication login vty local  
aaa authentication login dialin radius  
aaa authentication ppp default local  
aaa authentication ppp dialin if-needed radius  
aaa authorization exec local radius  
aaa authorization network radius  
aaa accounting network start-stop radius  
aaa accounting exec start-stop radius  
enable secret cisco  
!  
username admin password cisco  
username MYSTACK password STACK-SECRET  
sgbp group MYSTACK  
sgbp member AS5200-1 10.1.1.11  
sgbp member AS5200-3 10.1.1.13  
sgbp member 7200 10.1.1.14  
async-bootp dns-server 10.1.3.1 10.1.3.2  
isdn switch-type primary-5ess  
!  
controller T1 0  
framing esf  
clock source line primary  
linecode b8zs  
pri-group timeslots 1-24  
!  
controller T1 1  
framing esf  
clock source line secondary  
linecode b8zs  
pri-group timeslots 1-24  
!  
interface Loopback0  
ip address 10.1.2.126 255.255.255.192  
!  
interface Ethernet0  
ip address 10.1.1.12 255.255.255.0  
ip summary address eigrp 10 10.1.2.64 255.255.255.192  
!  
interface Serial0  
no ip address  
shutdown  
!  
interface Serial1  
no ip address  
shutdown  
!
```

```

interface Serial0:23
  no ip address
  encapsulation ppp
  isdn incoming-voice modem
  dialer rotary-group 0
  dialer-group 1
  no fair-queue
  no cdp enable
!
interface Serial1:23
  no ip address
  encapsulation ppp
  isdn incoming-voice modem
  dialer rotary-group 0
  dialer-group 1
  no fair-queue
  no cdp enable
!
interface Group-Async1
  ip unnumbered Loopback0
  encapsulation ppp
  async mode interactive
  peer default ip address pool dialin_pool
  no cdp enable
  ppp authentication chap pap dialin
  group-range 1 48
!
interface Dialer0
  ip unnumbered Loopback0
  no ip mroute-cache
  encapsulation ppp
  peer default ip address pool dialin_pool
  dialer in-band
  dialer-group 1
  no fair-queue
  no cdp enable
  ppp authentication chap pap dialin
  ppp multilink
!
router eigrp 10
  network 10.0..0.0
  passive-interface Dialer0
  no auto-summary
!
ip local pool dialin_pool 10.1.2.65 10.1.2.114
ip default-gateway 10.1.1.1
ip classless
!
dialer-list 1 protocol ip permit
radius-server host 10.1.1.23 auth-port 1645 acct-port 1646
radius-server host 10.1.1.24 auth-port 1645 acct-port 1646
radius-server key cisco
!
line con 0
  login authentication console
line 1 48
  autoselect ppp
  autoselect during-login
  login authentication dialin
  modem DialIn
line aux 0
  login authentication console
line vty 0 4
  login authentication vty

```

```

transport input telnet rlogin
!
end

```

### Cisco AS5200 Access Server #3

The following example runs on the Cisco AS5200 access server labeled #3 in Figure 56:

```

!
version 11.2
service timestamps debug datetime msec
service timestamps log datetime msec
service password-encryption
no service udp-small-servers
no service tcp-small-servers
!
hostname AS5200-3
!
aaa new-model
aaa authentication login default local
aaa authentication login console enable
aaa authentication login vty local
aaa authentication login dialin radius
aaa authentication ppp default local
aaa authentication ppp dialin if-needed radius
aaa authorization exec local radius
aaa authorization network radius
aaa accounting network start-stop radius
aaa accounting exec start-stop radius
enable secret cisco
!
username admin password cisco
username MYSTACK password STACK-SECRET
sgbp group MYSTACK
sgbp member AS5200-1 10.1.1.11
sgbp member AS5200-2 10.1.1.12
sgbp member 7200 10.1.1.14
async-bootp dns-server 10.1.3.1 10.1.3.2
isdn switch-type primary-5ess
!
controller T1 0
framing esf
clock source line primary
linecode b8zs
pri-group timeslots 1-24
!
controller T1 1
framing esf
clock source line secondary
linecode b8zs
pri-group timeslots 1-24
!
interface Loopback0
ip address 10.1.2.190 255.255.255.192
!
interface Ethernet0
ip address 10.1.1.13 255.255.255.0
ip summary address eigrp 10 10.1.2.128 255.255.255.192
!
interface Serial0
no ip address
shutdown
!

```

```

interface Serial1
  no ip address
  shutdown
!
interface Serial0:23
  no ip address
  encapsulation ppp
  isdn incoming-voice modem
  dialer rotary-group 0
  dialer-group 1
  no fair-queue
  no cdp enable
!
interface Serial1:23
  no ip address
  encapsulation ppp
  isdn incoming-voice modem
  dialer rotary-group 0
  dialer-group 1
  no fair-queue
  no cdp enable
!
interface Group-Async1
  ip unnumbered Loopback0
  encapsulation ppp
  async mode interactive
  peer default ip address pool dialin_pool
  no cdp enable
  ppp authentication chap pap dialin
  group-range 1 48
!
interface Dialer0
  ip unnumbered Loopback0
  no ip mroute-cache
  encapsulation ppp
  peer default ip address pool dialin_pool
  dialer in-band
  dialer-group 1
  no fair-queue
  no cdp enable
  ppp authentication chap pap dialin
  ppp multilink
!
router eigrp 10
  network 10.0.0.0
  passive-interface Dialer0
  no auto-summary
!
ip local pool dialin_pool 10.1.2.129 10.1.2.178
ip default-gateway 10.1.1.1
ip classless
!
dialer-list 1 protocol ip permit
radius-server host 10.1.1.23 auth-port 1645 acct-port 1646
radius-server host 10.1.1.24 auth-port 1645 acct-port 1646
radius-server key cisco
!
line con 0
  login authentication console
line 1 48
  autoselect ppp
  autoselect during-login
  login authentication dialin
  modem DialIn

```

```

line aux 0
 login authentication console
line vty 0 4
 login authentication vty
 transport input telnet rlogin
!
end

```

## Cisco 7206 as Offload Server

The following example runs on the Cisco 7206 router shown in Figure 56:



### Note

---

Any Cisco router that has a strong CPU can be used as an offload server, such as a Cisco 4500-M, 4700-M, or 3640. However, the router must be configured to handle the necessary processing overhead demanded by each stack member.

---

```

!
version 11.2
service timestamps debug datetime msec
service timestamps log datetime msec
service password-encryption
no service udp-small-servers
no service tcp-small-servers
!
hostname 7200
!
aaa new-model
aaa authentication login default local
aaa authentication login console enable
aaa authentication login vty local
aaa authentication login dialin radius
aaa authentication ppp default local
aaa authentication ppp dialin if-needed radius
aaa authorization exec local radius
aaa authorization network radius
aaa accounting network start-stop radius
aaa accounting exec start-stop radius
enable secret cisco
!
username MYSTACK password STACK-SECRET
username admin password cisco
multilink virtual-template 1
sgbp group MYSTACK
sgbp member AS5200-1 10.1.1.11
sgbp member AS5200-2 10.1.1.12
sgbp member AS5200-3 10.1.1.13
sgbp seed-bid offload
async-bootp dns-server 10.1.3.1 10.1.3.2
!
interface Loopback0
 ip address 10.1.2.254 255.255.255.192
!
interface Ethernet2/0
 ip address 10.1.1.14 255.255.255.0
 ip summary address eigrp 10 10.1.2.192 255.255.255.192
!
interface Ethernet2/1
 no ip address
 shutdown
!

```

```

interface Ethernet2/2
  no ip address
  shutdown
!
interface Ethernet2/3
  no ip address
  shutdown
!
interface Virtual-Template1
  ip unnumbered Loopback0
  no ip mroute-cache
  peer default ip address pool dialin_pool
  ppp authentication chap pap dialin
  ppp multilink
!
router eigrp 10
  network 10.0.0.0
  passive-interface Virtual-Template1
  no auto-summary
!
ip local pool dialin_pool 10.1.2.193 10.1.2.242
ip default-gateway 10.1.1.1
ip classless
!
radius-server host 10.1.1.23 auth-port 1645 acct-port 1646
radius-server host 10.1.1.24 auth-port 1645 acct-port 1646
radius-server key cisco
!
line con 0
  login authentication console
line aux 0
  login authentication console
line vty 0 4
  login authentication vty
!
end

```

## RADIUS Remote Security Examples

The RADIUS examples in the following sections use the Internet Engineering Task Force (IETF) syntax for the attributes:

- User Setup for PPP
- User Setup for PPP and Static IP Address
- Enabling Router Dial-In
- User Setup for SLIP
- User Setup for SLIP and Static IP Address
- Telnetting to a UNIX Host
- Automatic Rlogin to UNIX Host

Depending on how the dictionary is set up, the syntax for these configurations might differ between versions of RADIUS daemons.



### Note

You must have the **async dynamic address** command enabled on the network access server if you use Framed-IP-Address to statically assign IP addresses.



## User Setup for PPP

The following example shows a user setup for PPP. The user's IP address comes from the configured default IP address that is set up on the interface (which could be a specific default IP address, a pointer to a local pool of addresses, or a pointer to a Dynamic Host Configuration Protocol (DHCP) server). The special address that signals the default address is 255.255.255.254.

```
pppme Password = "cisco"  
    CHAP-Password = "cisco"  
    Service-Type = Framed,  
    Framed-Protocol = PPP,  
    Framed-IP-Address = 255.255.255.254
```

## User Setup for PPP and Static IP Address

The following example shows a user setup for PPP and a static IP address that stays with the user across all connections. Make sure your router is set up to support this configuration, especially for large or multiple POPs.

```
staticallypppme Password = "cisco"  
    CHAP-Password = "cisco"  
    Service-Type = Framed,  
    Framed-Protocol = PPP,  
    Framed-IP-Address = 1.1.1.1
```

## Enabling Router Dial-In

The following example supports a router dialing in, which requires that a static IP address and a remote Ethernet interface be added to the network access server's routing table. The router's WAN port is assigned the address 1.1.1.2. The remote Ethernet interface is 2.1.1.0 with a class C mask. Be sure your routing table can support this requirement. You might need to redistribute the static route with a dynamic routing protocol.

```
routeme Password = "cisco"  
    CHAP-Password = "cisco"  
    Service-Type = Framed,  
    Framed-Protocol = PPP,  
    Framed-IP-Address = 1.1.1.1  
    Framed-Route = "2.1.1.0/24 1.1.1.2"
```

## User Setup for SLIP

The following example shows a user setup for SLIP. Remote users are assigned to the default address on the interface.

```
slipme Password = "cisco"  
    Service-Type = Framed,  
    Framed-Protocol = SLIP,  
    Framed-IP-Address = 255.255.255.254
```

## User Setup for SLIP and Static IP Address

The following example shows a user setup for SLIP and a static IP address that stays with the user across all connections. Make sure your routing is set up to support this configuration, especially for large or multiple POPs.

```
staticallyslipme Password = "cisco"
    Service-Type = Framed,
    Framed-Protocol = SLIP,
    Framed-IP-Address = 1.1.1.13
```

## Telnetting to a UNIX Host

The following example automatically uses Telnet to connect the user to a UNIX host. This configuration is useful for registering new users, providing basic UNIX shell services, or providing a guest account.

```
telnetme Password = "cisco"
    Service-Type = Login,
    Login-Service = Telnet,
    Login-IP-Host = 4.1.1.1
```

## Automatic Rlogin to UNIX Host

The following example automatically uses rlogin to connect the user to a UNIX host:

```
rloginme Password = "cisco"
    Service-Type = Login,
    Login-Service = Rlogin,
    Login-IP-Host = 4.1.1.2
```

If you want to prevent a second password prompt from being brought up, you must have the following two commands enabled on the router or access server:

- **rlogin trusted-remoteuser-source local**
- **rlogin trusted-localuser-source radius**

## PPP Calls over X.25 Networks

Remote PCs stationed in X.25 packet assembler-disassembler (PAD) networks can access the Internet by dialing in to Cisco routers, which support PPP. By positioning a Cisco router at the corner of an X.25 network, ISPs and telcos can provide Internet and PPP access to PAD users. All remote PAD users that dial in to X.25 networks dial in to one Cisco router that allows PPP connections. Although connection performance is not optimal, these X.25 to PPP calls utilize installed bases of X.25 equipment and cost less to operate than connecting over the standard telephone network.



### Note

This dial-in scenario can also be used as an enterprise solution. In this case, an enterprise consults with a third-party service provider that allows enterprises to leverage existing X.25 enterprise equipment to provide connections back into enterprise environments.

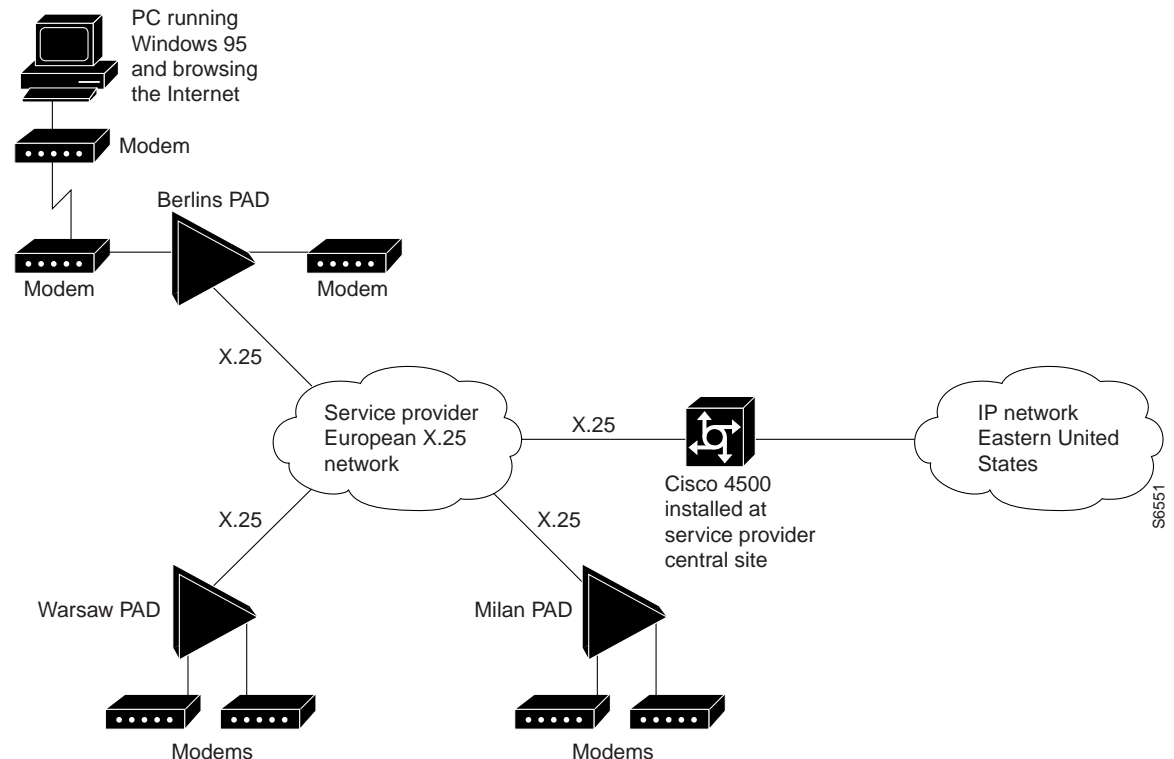
## Overview

Many cities throughout the world have large installed bases of PCs interfacing with older modems, PADs, and X.25 networks. These remote PCs or terminals dial in to PADs and make X.25 PAD calls or terminal connections to mainframe computers or other devices, which run the X.25 protocol. Unfortunately, the user interface is only a regular text-based screen in character mode (as opposed to packet mode). Therefore, many ISPs and telcos that have large investments in X.25 networks are upgrading their outdated equipment and creating separate networks for PPP connections. Because this upgrade process takes substantial time and money to complete, using a Cisco router to allow PPP connections over an X.25 network is a good interim solution for a dead-end dial case.

## Remote PC Browsing Network Topology

Figure 57 shows a remote PC browsing the Internet through an X.25 PAD call and a Cisco 4500 router. This X.25 network is owned by an ISP or telco that is heavily invested in X.25 equipment, currently upgrading its outdated equipment, and creating separate networks for PPP connections. In this topology, the Cisco 4500 router performs protocol translation between the protocols X.25 and PPP. The router is configured to accept an incoming X.25 PAD call, run and unpack PPP packets over the call, and enable the remote PC to function as if it were on the IP network.

**Figure 57** Remote PC Browsing the Internet Through an X.25 PAD Call and a Cisco 4500 Router



For more information about configuring protocol translation, see the chapter “Configuring Protocol Translation and Virtual Asynchronous Devices” in the *Cisco IOS Dial Services Configuration Guide: Terminal Services* publication.

## Protocol Translation Configuration Example

In the following example, PAD callers that dial 4085551234 receive a router prompt. PAD callers that dial 408555123401 start PPP and pick up an address from the IP pool called dialin\_pool. These addresses are “borrowed” from the Ethernet interface on the Cisco 4500 router. Additionally, a loopback interface network can be created and the X.25 addresses can be set. However, a routing protocol must be run to advertise the loopback interface network if this method is used.



### Note

Be sure to include your own IP addresses, host names, and security passwords where appropriate in the following examples.

```

service timestamps debug datetime msec
service timestamps log datetime msec
service password-encryption
no service udp-small-servers
no service tcp-small-servers
!
hostname NAS
!
aaa new-model
aaa authentication login console enable
aaa authentication login vty tacacs+
aaa authentication login dialin tacacs+
aaa authentication ppp default tacacs+
aaa authentication ppp dialin if-needed tacacs+
enable secret cisco
!
async-bootp dns-server 10.1.3.1 10.1.3.2
!
vty-async
vty-async ppp authentication chap pap
!
interface Loopback0
 ip address 10.1.2.254 255.255.255.0
!
interface Ethernet0
 ip address 10.1.1.10 255.255.255.0
 ip summary address eigrp 10 10.1.2.0 255.255.255.0
!
interface Serial0
 no ip address
 encapsulation x25
 x25 address 4085551234
 x25 accept-reverse
 x25 default pad
!
router eigrp 10
 network 10.0.0.0
 passive-interface Dialer0
 no auto-summary
!
ip local pool dialin_pool 10.1.2.1 10.1.2.50
ip default-gateway 10.1.1.1
!
ip classless
!
translate x25 408555123401 ppp ip-pool scope-name dialin_pool
!
dialer-list 1 protocol ip permit
!

```

```
line con 0
  login authentication console
line aux 0
  login authentication console
line vty 0 150
  login authentication vty
  transport input telnet rlogin
!
end
```



## Free Manuals Download Website

<http://myh66.com>

<http://usermanuals.us>

<http://www.somanuals.com>

<http://www.4manuals.cc>

<http://www.manual-lib.com>

<http://www.404manual.com>

<http://www.luxmanual.com>

<http://aubethermostatmanual.com>

Golf course search by state

<http://golfingnear.com>

Email search by domain

<http://emailbydomain.com>

Auto manuals search

<http://auto.somanuals.com>

TV manuals search

<http://tv.somanuals.com>